



US00D907524S

(12) **United States Design Patent** (10) **Patent No.:** **US D907,524 S**  
**Devaney et al.** (45) **Date of Patent:** **\*\* Jan. 12, 2021**

- (54) **WATCH STRAP CONNECTOR**
- (71) Applicant: **Sol-Light, LLC**, Las Vegas, NV (US)
- (72) Inventors: **William F. Devaney**, Boston, MA (US);  
**Phillip Grandinetti, III**, Carlsbad, CA (US);  
**Michael Massucco**, Oakland, CA (US);  
**David Nelson**, Las Vegas, NV (US)
- (73) Assignee: **Sol-Light, LLC.**, Las Vegas, NV (US)
- (\*\*) Term: **15 Years**
- (21) Appl. No.: **29/678,350**
- (22) Filed: **Jan. 28, 2019**
- (51) **LOC (13) Cl.** ..... **11-01**
- (52) **U.S. Cl.**  
USPC ..... **D11/94**
- (58) **Field of Classification Search**  
USPC ..... D11/1-29, 86-88, 94; D10/30, 32, 38  
CPC .. A44C 5/00; A44C 5/18; A44C 5/185; A44C  
5/20; A44C 5/14  
See application file for complete search history.

(56) **References Cited**

**U.S. PATENT DOCUMENTS**

3,612,365 A \* 10/1971 Dintsman ..... G04B 37/1493  
24/265 WS  
9,010,593 B2 \* 4/2015 Tschumi ..... G04B 37/1486  
224/177  
D747,234 S 1/2016 Akana et al.  
D748,009 S 1/2016 Akana et al.  
D748,010 S 1/2016 Akana et al.  
D748,527 S 2/2016 Akana et al.  
D749,460 S 2/2016 Akana et al.  
D750,524 S 3/2016 Akana et al.  
D753,008 S 4/2016 Akana et al.

D755,070 S 5/2016 Akana et al.  
D761,688 S 7/2016 Akana et al.  
D761,689 S 7/2016 Akana et al.  
D764,341 S 8/2016 Akana et al.  
D764,964 S 8/2016 Akana et al.  
10,064,460 B2 \* 9/2018 Sahaan ..... G04B 37/1486  
10,149,519 B2 \* 12/2018 Giles ..... A44C 5/16  
10,165,694 B1 \* 12/2018 Werner ..... A44C 5/14  
10,184,506 B2 \* 1/2019 Chen ..... A44C 5/14  
10,219,591 B2 \* 3/2019 Hatanaka ..... G04B 37/1486  
10,448,711 B2 \* 10/2019 Kallman ..... A44C 5/14  
10,524,548 B2 \* 1/2020 Park ..... A44C 5/025

\* cited by examiner

*Primary Examiner* — Zenia I Bennett

(74) *Attorney, Agent, or Firm* — Banner & Witcoff, Ltd.

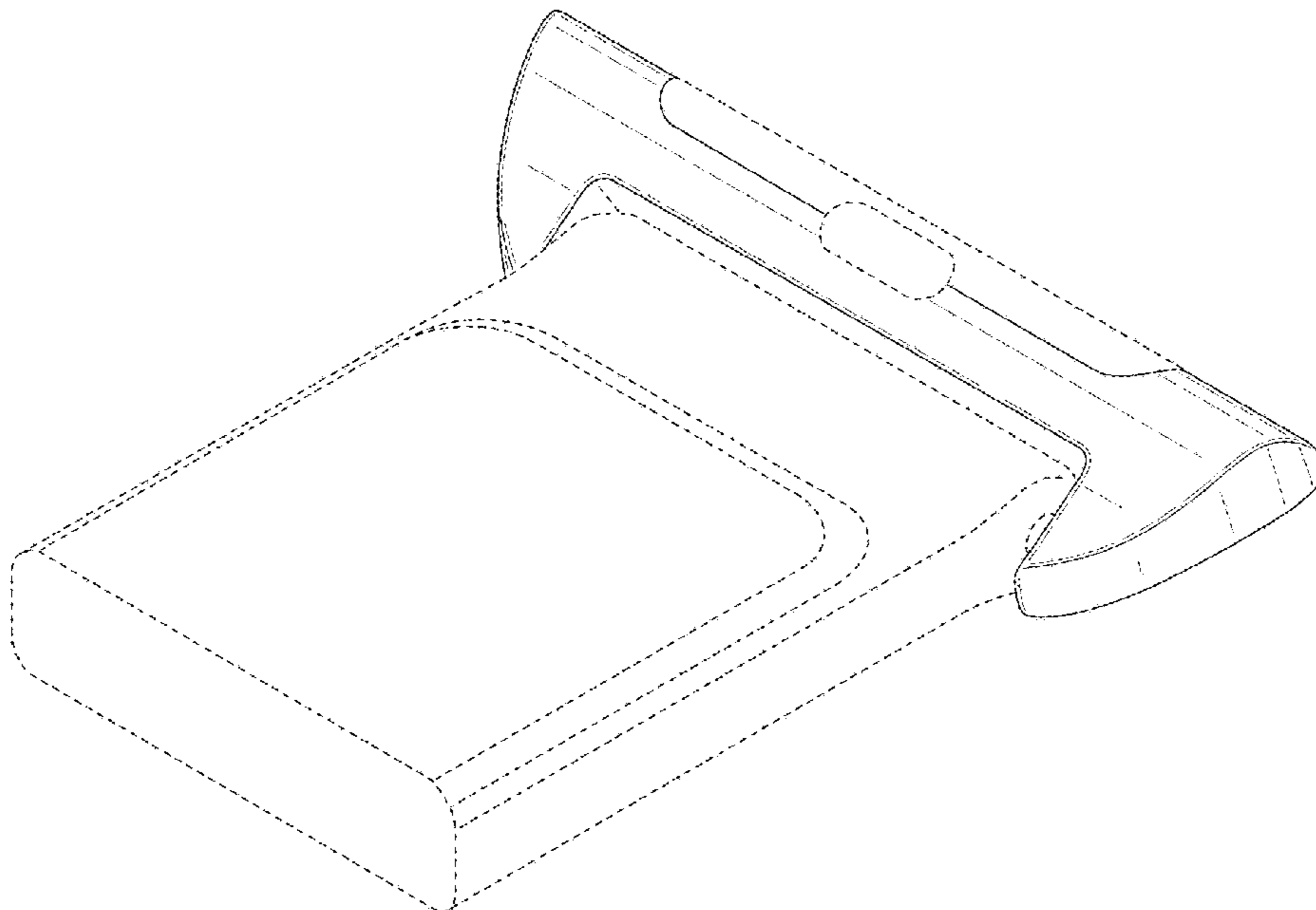
(57) **CLAIM**

The ornamental design for a watch strap connector, as shown and described.

**DESCRIPTION**

FIG. 1 is a top rear perspective view of a watch strap connector showing our new design;  
FIG. 2 is a bottom rear perspective view thereof;  
FIG. 3 is a front view thereof;  
FIG. 4 is a rear view thereof;  
FIG. 5 is a left side view thereof;  
FIG. 6 is a right side view thereof;  
FIG. 7 is a top view thereof;  
FIG. 8 is a bottom view thereof; and,  
FIG. 9 is rear perspective view of the watch strap connector of FIGS. 1-8 shown in an exemplary environment.  
The broken lines immediately adjacent to the shaded areas represent the bounds of the claimed design and form no part thereof. The broken lines depicting the remainder of the watch strap connector show features that form no part of the claimed design.

**1 Claim, 7 Drawing Sheets**



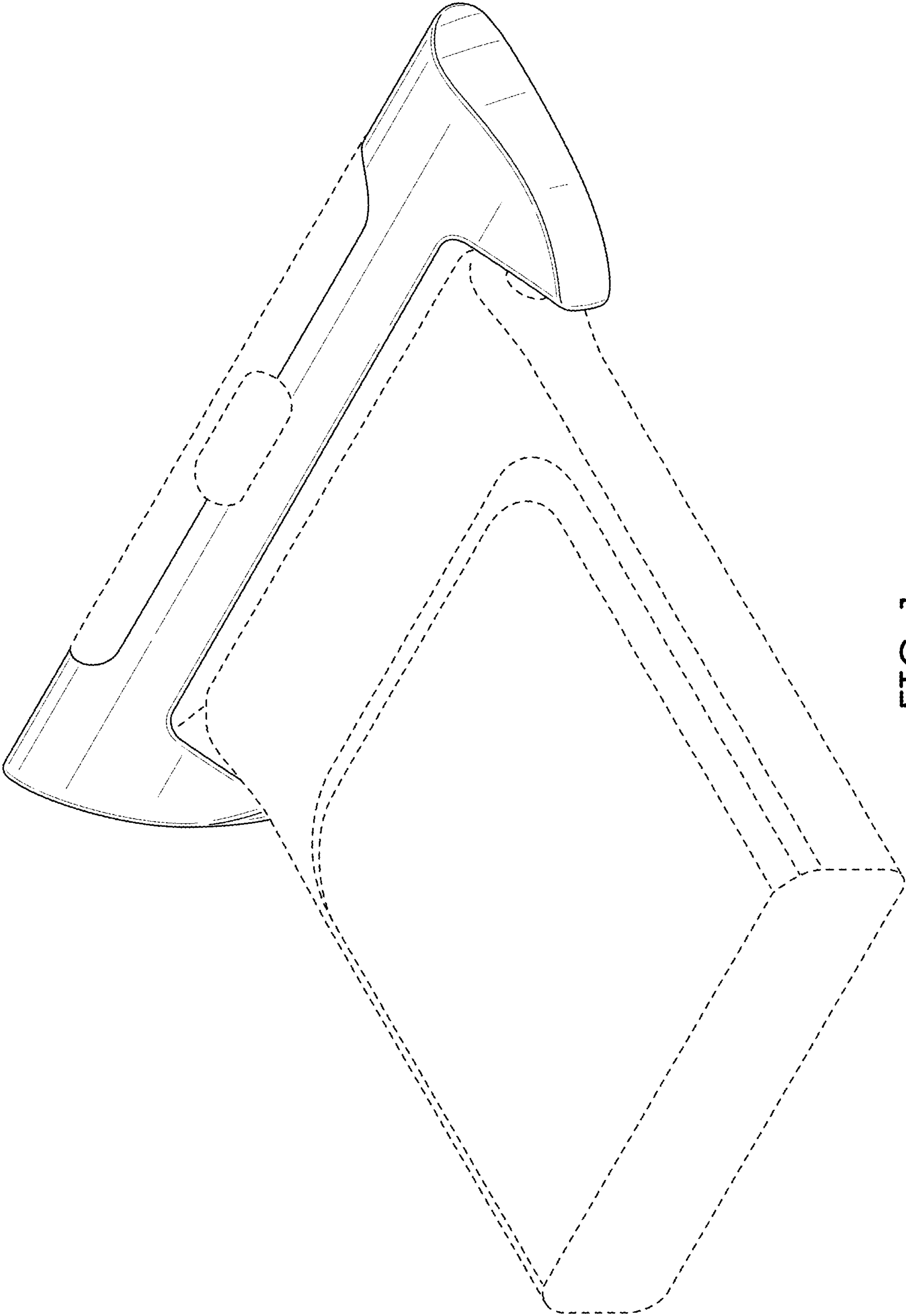


FIG. 1

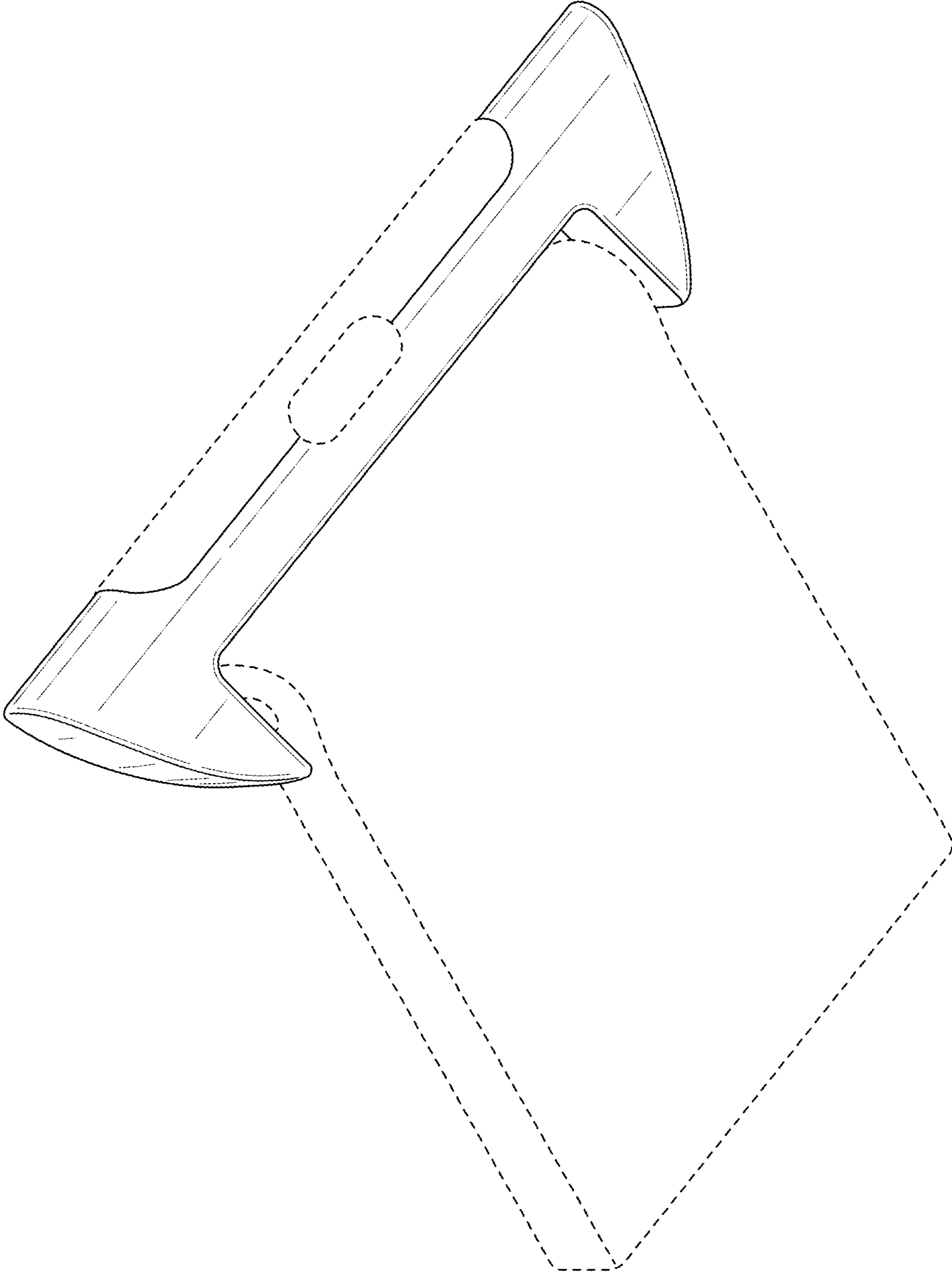


FIG. 2

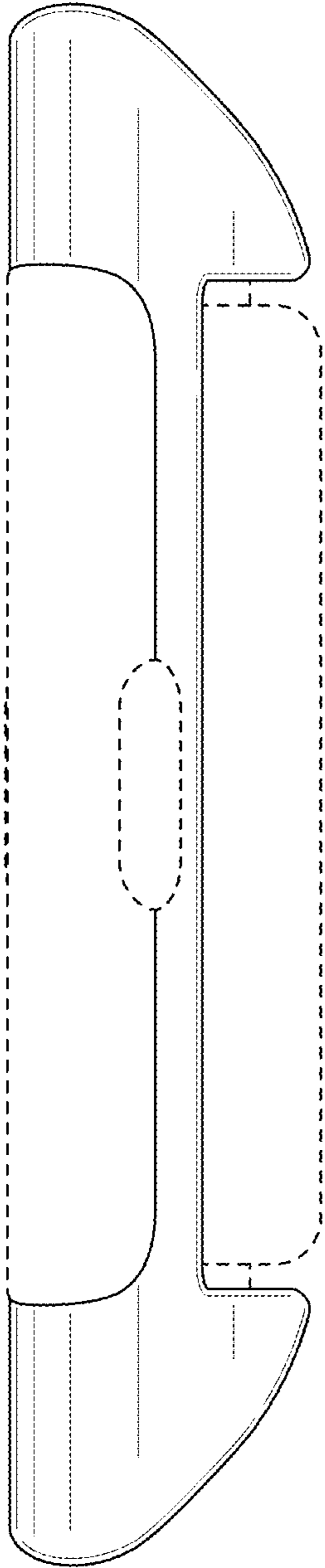


FIG. 3

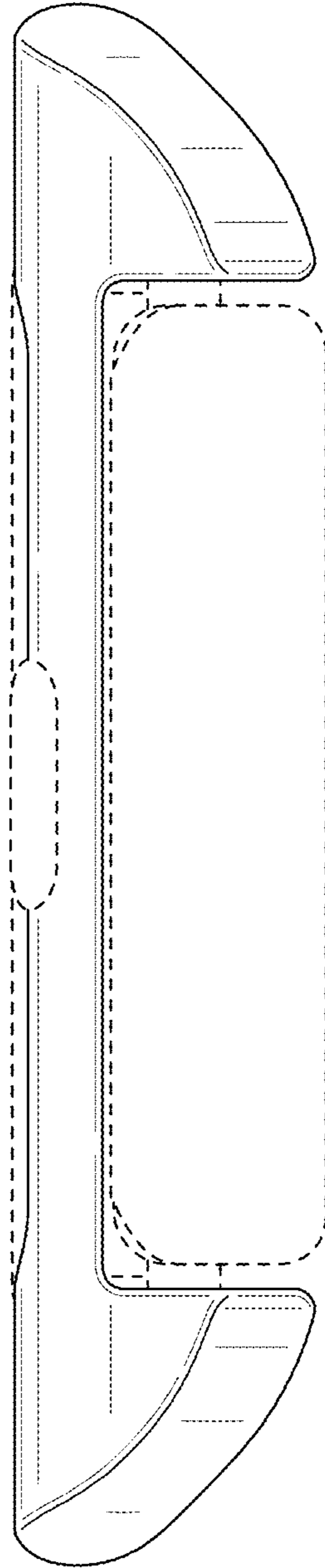


FIG. 4

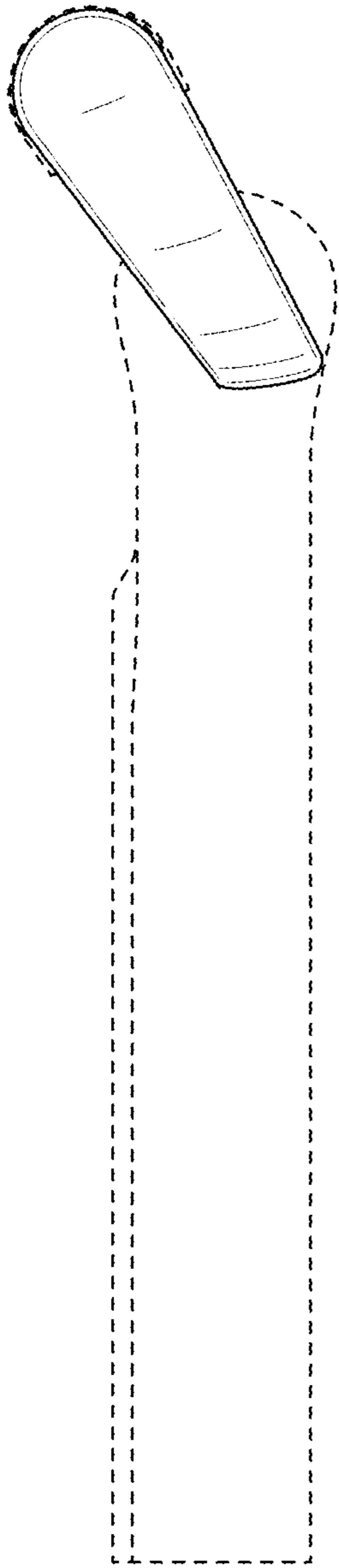


FIG. 5

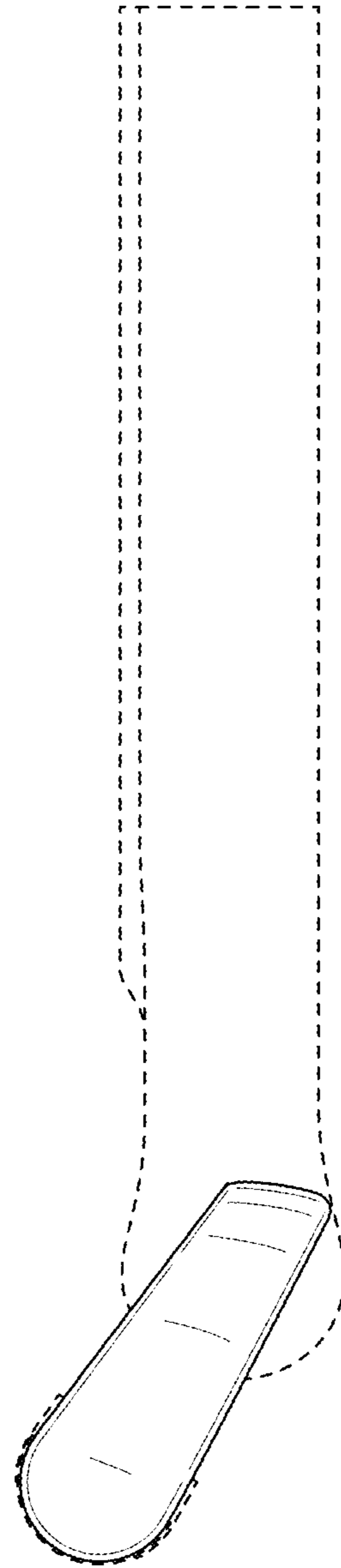


FIG. 6

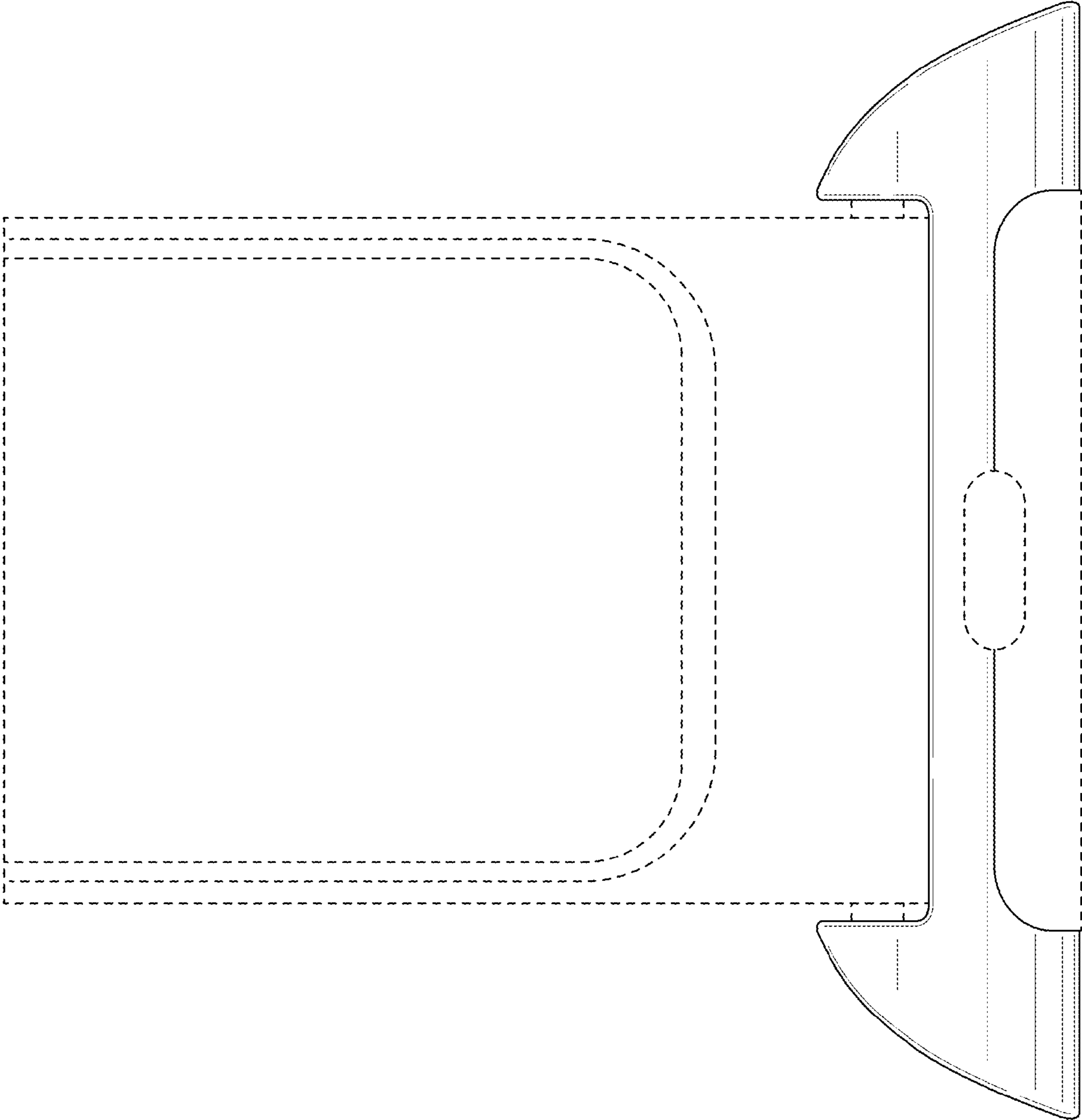


FIG. 7



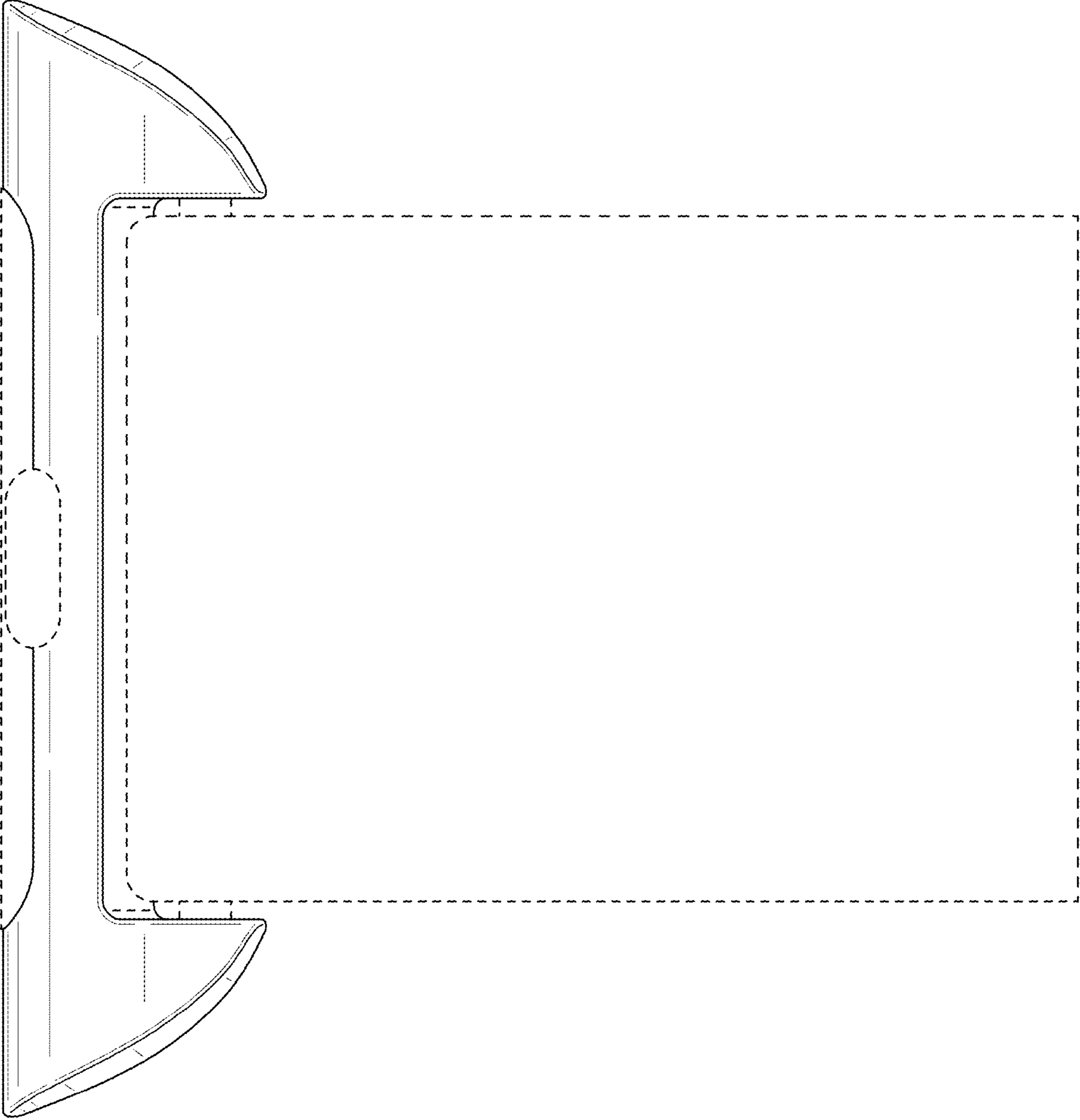


FIG. 8

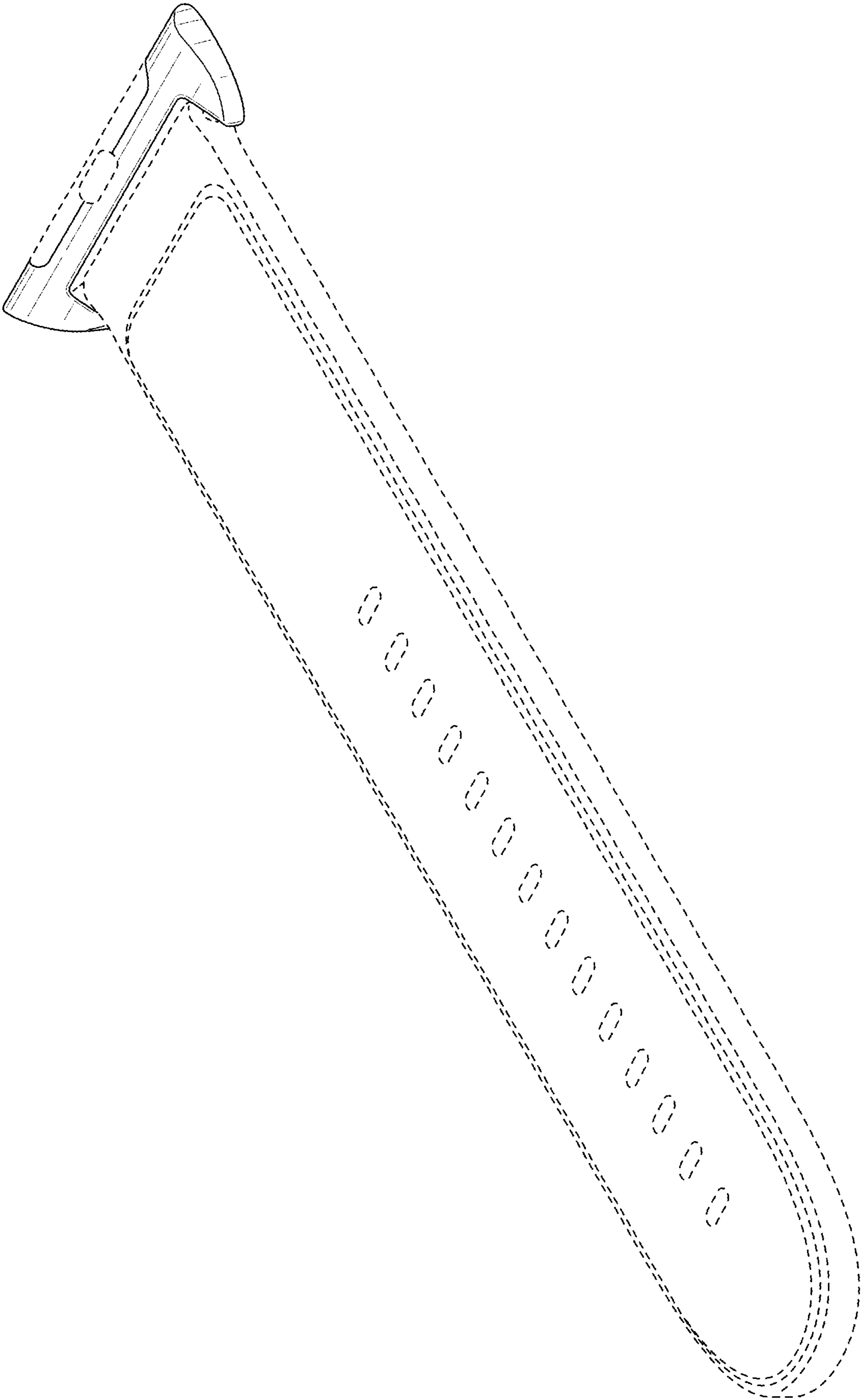


FIG. 9