

US00D907521S

(12) **United States Design Patent** (10) **Patent No.:** **US D907,521 S**
Beaber (45) **Date of Patent:** **** Jan. 12, 2021**

(54) **RING** 3,900,018 A * 8/1975 Piuanno A61B 17/00
606/1
(71) Applicant: **Elliott Hartman Albrecht Beaber,** D242,645 S * 12/1976 Shorin D11/27
Washington, DC (US) D242,646 S 12/1976 Shorin et al.
(Continued)

(72) Inventor: **Elliott Hartman Albrecht Beaber,**
Washington, DC (US)

(**) Term: **15 Years**

(21) Appl. No.: **29/746,767**

(22) Filed: **Aug. 17, 2020**

Related U.S. Application Data

(62) Division of application No. 16/526,459, filed on Jul. 30, 2019.

(51) **LOC (13) Cl.** **11-01**

(52) **U.S. Cl.**
USPC **D11/26; D21/488; D1/127**

(58) **Field of Classification Search**
USPC D11/2, 3, 4, 26-39, 91, 92; D21/488;
D1/106, 127

CPC A44C 9/00; A44C 9/0007; A44C 9/0015;
A44C 9/0023; A44C 9/003; A44C
9/0038; A44C 9/0046; A44C 9/0053;
A44C 9/0061; A44C 9/0069; A44C
9/0076; A44C 9/0084; A44C 9/0092;
A44C 9/02; A44C 17/02; A44C 17/0208;
A44C 17/0215; A44C 17/0225; A44C
17/0233; A44C 17/0241; A44C 17/025;
A44C 17/0258; A44C 17/0266; A44C
17/0275; A44C 17/0283; A44C 17/0291;
A23G 3/00; A23G 3/563; A63H 33/00;
A44B 15/00

See application file for complete search history.

(56) **References Cited**

U.S. PATENT DOCUMENTS

D142,234 S 8/1945 Sudbrink
3,192,737 A * 7/1965 Schechter A44C 15/001
63/1.11

FOREIGN PATENT DOCUMENTS

EM 000609029-0001 12/2006
EM 000609029-0002 12/2006

(Continued)

OTHER PUBLICATIONS

Nest full of eggs. "LEGO Valentines 2014." Jan. 15, 2014.
<nestfullofeggs.blogspot.com/2014/01/lego-valentines-2014.
html>. (Year: 2014).

(Continued)

Primary Examiner — Melanie Pellegrini

(74) *Attorney, Agent, or Firm* — Banner & Witcoff, Ltd.

(57) **CLAIM**

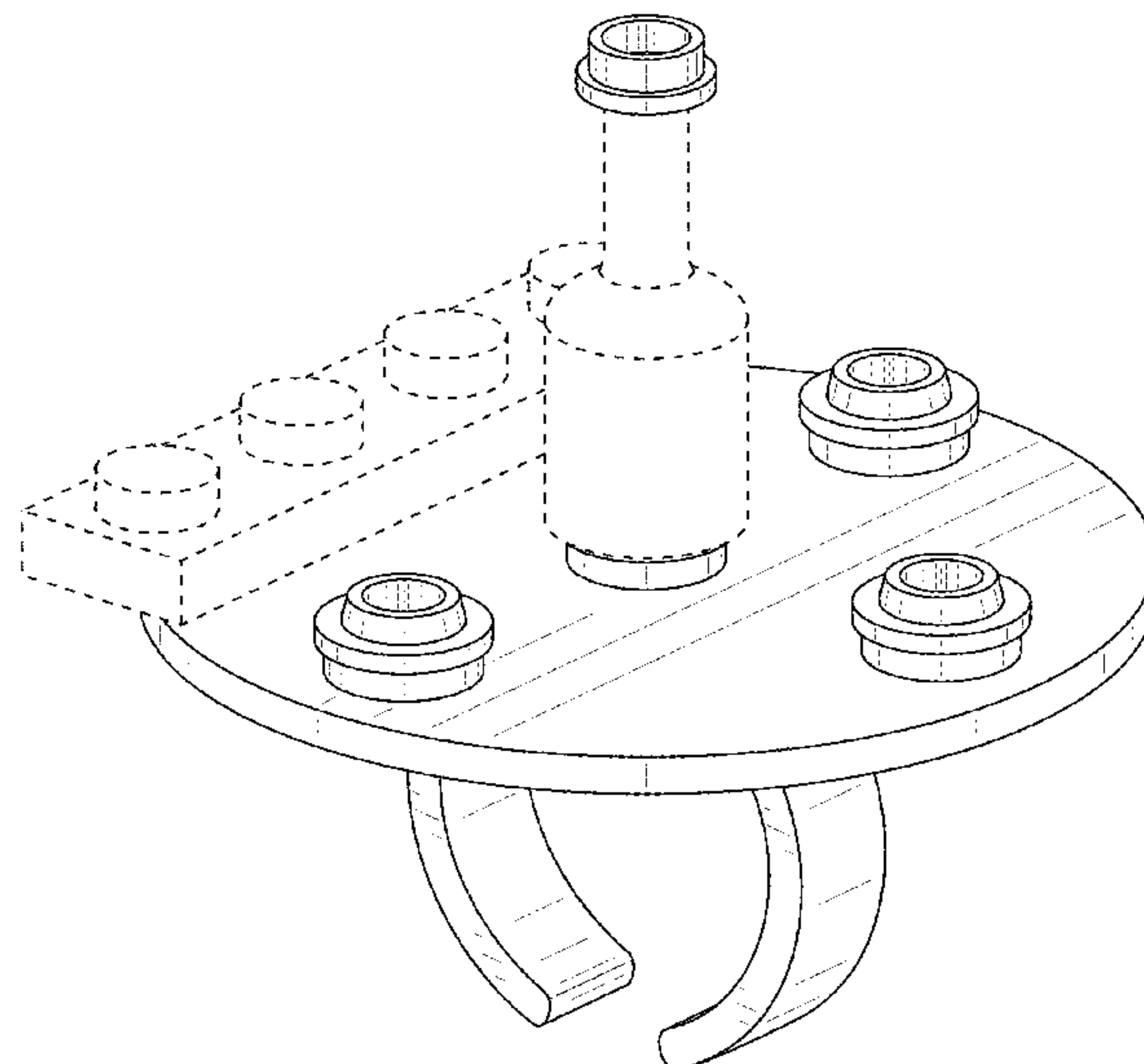
The ornamental design for a ring, as shown and described.

DESCRIPTION

FIG. 1 is a top, front, right perspective view of the claimed design for a ring;
FIG. 2 is a front view thereof;
FIG. 3 is a top view thereof;
FIG. 4 is a rear view thereof;
FIG. 5 is a right side view thereof; and,
FIG. 6 is a left side view thereof.

The broken lines immediately adjacent to the shaded area depict boundaries of the claimed design and form no part thereof. The broken lines showing the remainder of the ring depict environmental structure and form no part of the claimed design. Portions of the ring not shown in the drawing form no part of the claimed design.

1 Claim, 6 Drawing Sheets



(56)

References Cited

U.S. PATENT DOCUMENTS

D269,955 S 8/1983 Kupperman et al.
 4,413,443 A 11/1983 Kulesza et al.
 D299,489 S * 1/1989 Wood D11/27
 D304,213 S * 10/1989 Chen D21/488
 D308,948 S * 7/1990 Anderson D11/30
 D335,159 S 4/1993 Olsen
 5,827,527 A 10/1998 Leonard
 D428,234 S 7/2000 Diamond
 D428,547 S 7/2000 Diamond
 D429,547 S 8/2000 Diamond
 6,162,476 A 12/2000 Shorin
 D446,626 S * 8/2001 Huang D1/102
 D468,888 S 1/2003 Diamond
 6,763,681 B1 7/2004 Klundt
 D493,942 S 8/2004 Shecter
 D495,465 S 9/2004 Tepper et al.
 D596,522 S * 7/2009 Fuchs D11/26
 D614,247 S 4/2010 Clausen
 D689,955 S 9/2013 Jensen
 D705,691 S * 5/2014 Mezhibovsky D11/26
 D723,632 S * 3/2015 Kanbar D21/488
 D751,450 S * 3/2016 McAlarney D11/36
 D853,880 S * 7/2019 Williams D11/2
 2002/0050213 A1 5/2002 Erwin
 2003/0152672 A1 8/2003 Coleman et al.
 2004/0091583 A1 5/2004 Coleman et al.
 2005/0153621 A1 7/2005 Gillmour-Bryant et al.
 2006/0081561 A1 4/2006 Lopez-Ethnasois et al.
 2008/0034791 A1 * 2/2008 Arcadi A44C 9/0061
 63/15
 2014/0227936 A1 8/2014 Botterill et al.
 2015/0257496 A1 9/2015 Swift, II et al.
 2015/0282575 A1 10/2015 Smith
 2015/0310785 A1 10/2015 Shaddock
 2016/0016086 A1 1/2016 Garling
 2016/0143315 A1 5/2016 Schuricht
 2016/0174670 A1 * 6/2016 McAlarney A44C 17/0233
 63/1.13

2017/0014727 A1 1/2017 Chen et al.
 2018/0078009 A1 3/2018 Luig et al.
 2018/0352829 A1 12/2018 Diamond et al.

FOREIGN PATENT DOCUMENTS

EM 000609029-0003 12/2006
 EM 000609029-0004 12/2006
 EM 000609029-0005 12/2006
 EM 000609029-0006 12/2006
 EM 000675061-0015 3/2007
 EM 000352091-0001 5/2007
 EM 002137190-0013 11/2012
 EM 002195529-0001 3/2013
 EM 002218719-0001 4/2013
 EM 002218719-0002 4/2013
 EM 002218719-0003 4/2013
 EM 002753905-0002 8/2015

OTHER PUBLICATIONS

Acheson, Shannon. "Homemade Jolly Rancher Ice Ring Pops." Apr. 14, 2018. <<https://homemadelovely.com/homemade-jolly-rancher-ice-ring-pops/>>. Accessed Jan. 19, 2020. (Year: 2018).
 Lego Facts. Aug. 17, 2011. National Geographic. <<https://www.nationalgeographic.com.au/history/lego-facts.aspx>>. Accessed Jan. 19, 2020. (Year: 2011).
 Minifigure, Utensil Bottle. Apr. 17, 2011 <<https://www.bricklink.com/v2/catalog/catalogitem.page?P=95228#T=C>>. Accessed Jan. 19, 2020. (Year: 2011).
 How do I center a 2x2 plate on a 3x3 plate? Apr. 17, 2017. <<https://bricks.stackexchange.com/questions/8815/how-do--center-a-2x2-plate-on-a-3x3-plate>>. Accessed Jan. 19, 2020. (Year: 2011).
 DIY Giant Ring Pop. May 27, 2018. <hellthyjunkfood.com/ring-pop>. Accessed Jan. 19, 2020. (Year: 2018).
 Plate, Round 1x1 Years Released: 1980-2020. <https://www.bricklink.com/v2/catalog/catalogitem.page?P=4073#T=C>.> Accessed Aug. 12, 2020.

* cited by examiner

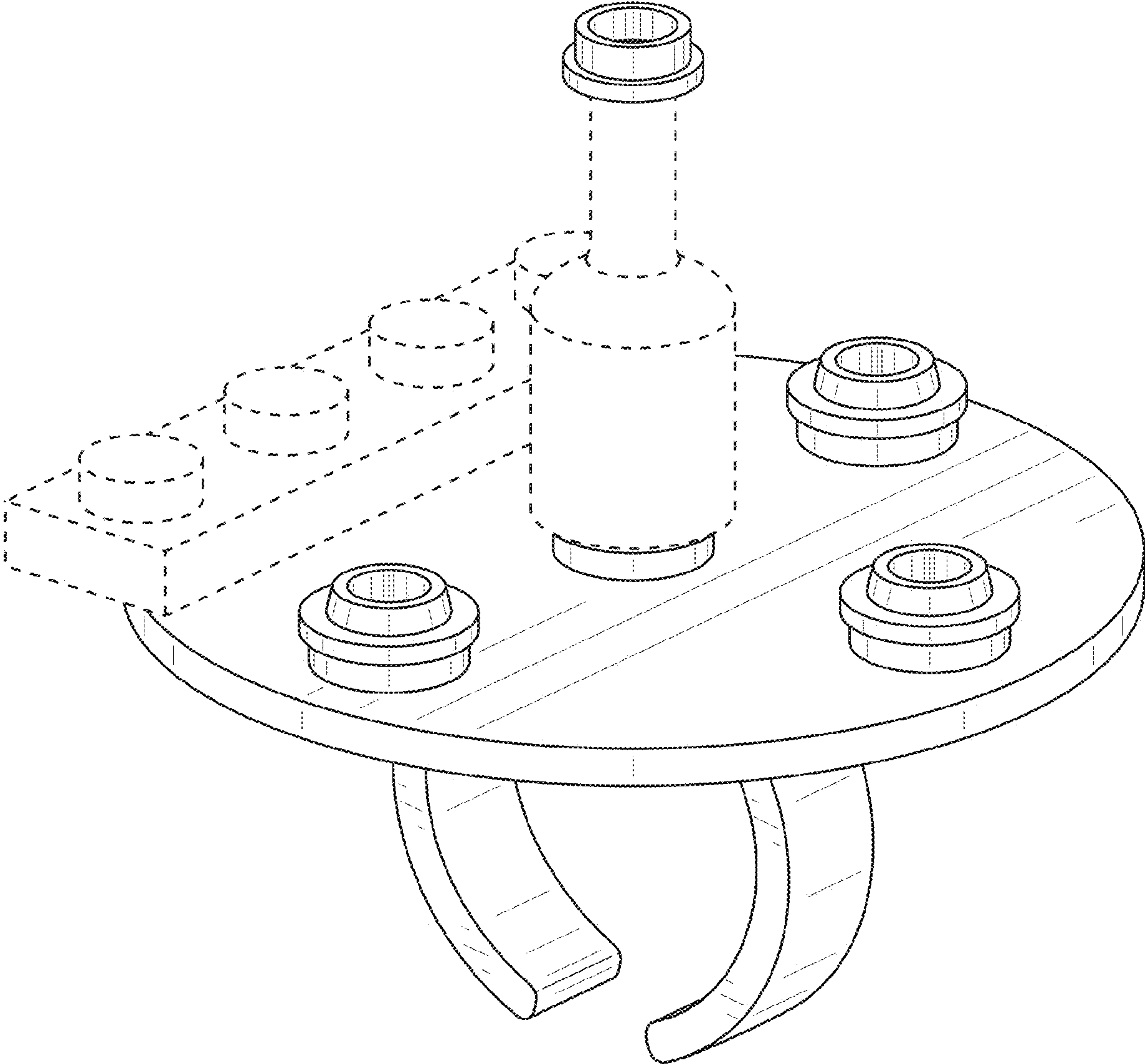


FIG. 1

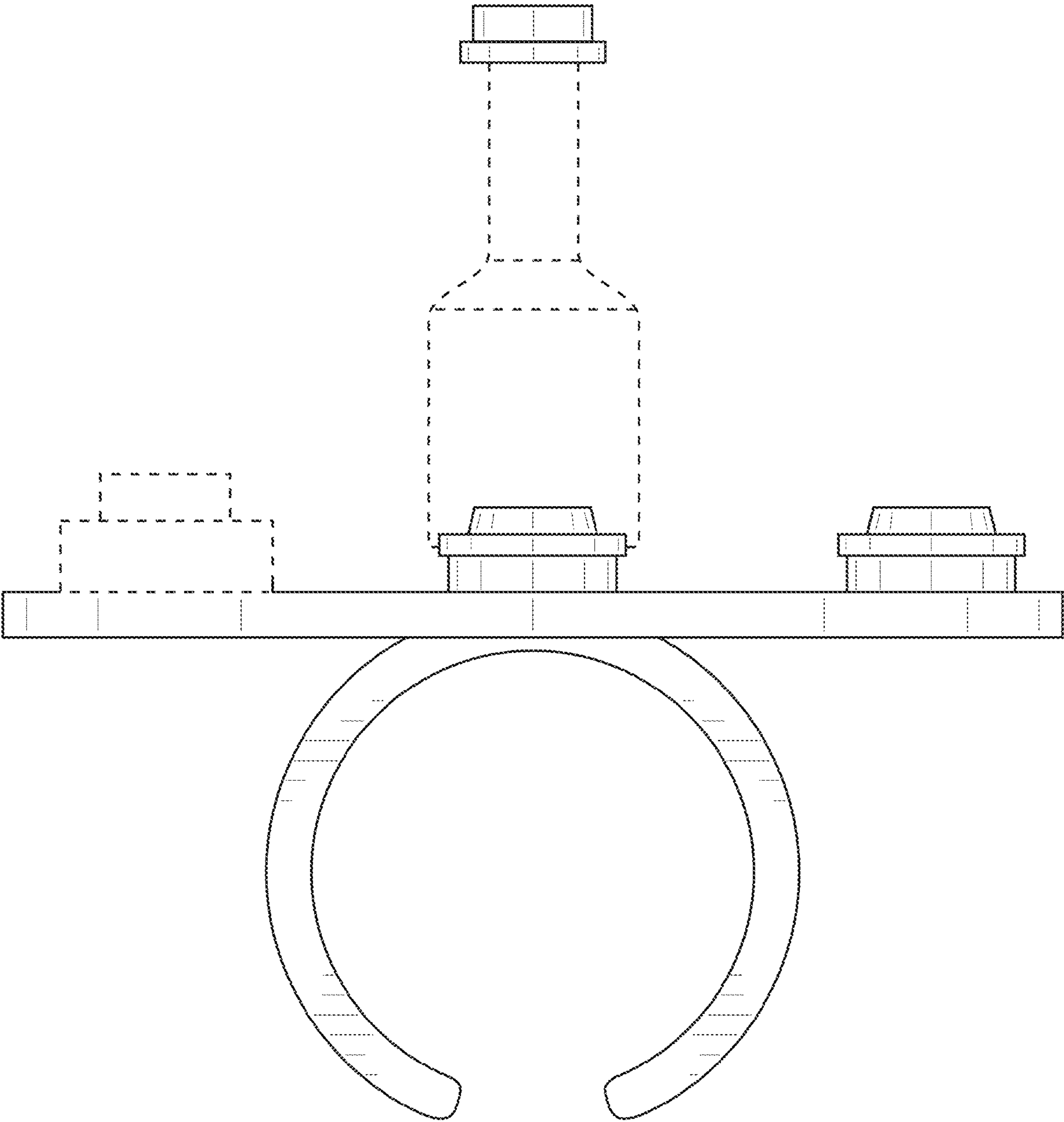


FIG. 2

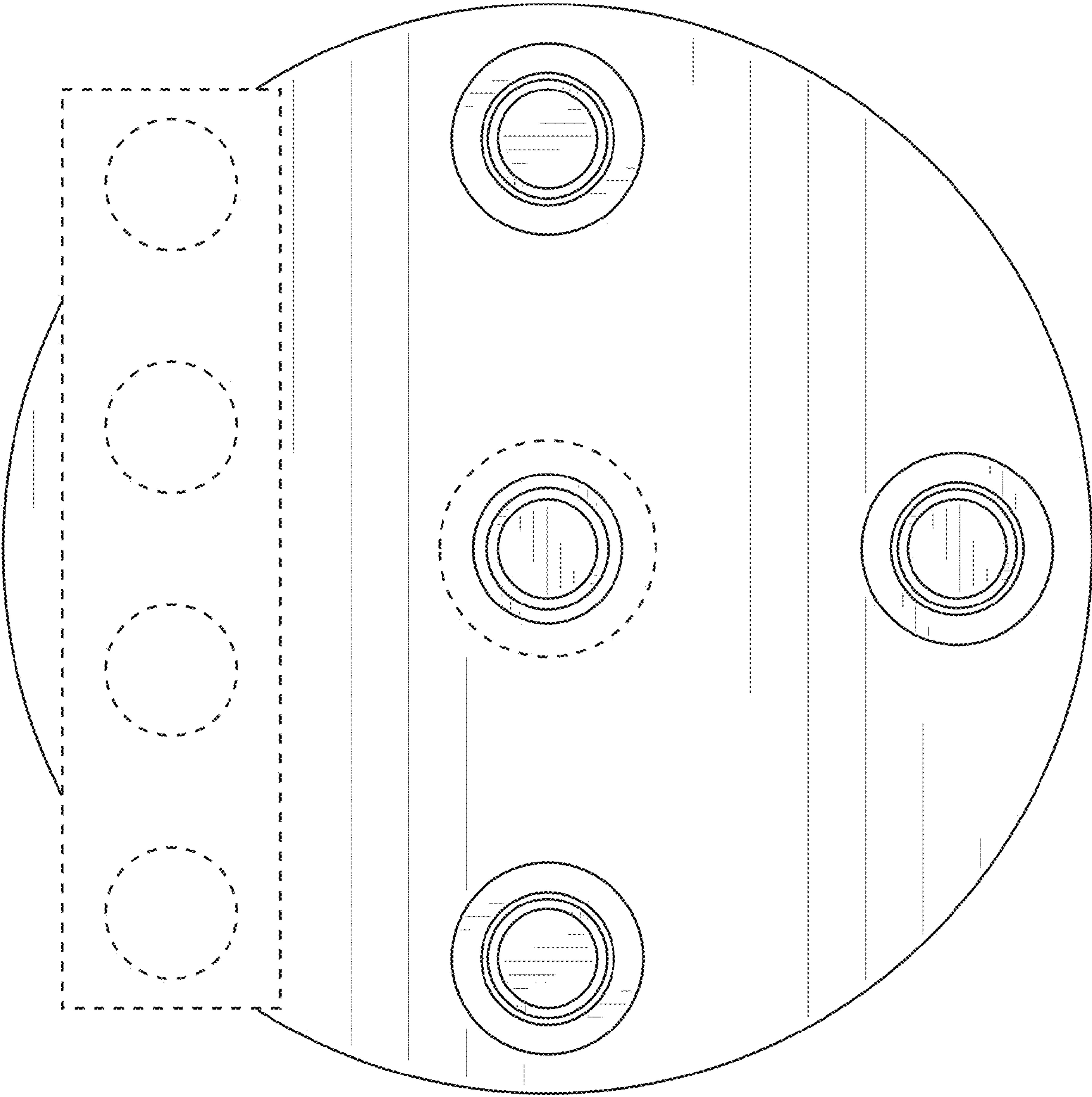


FIG. 3

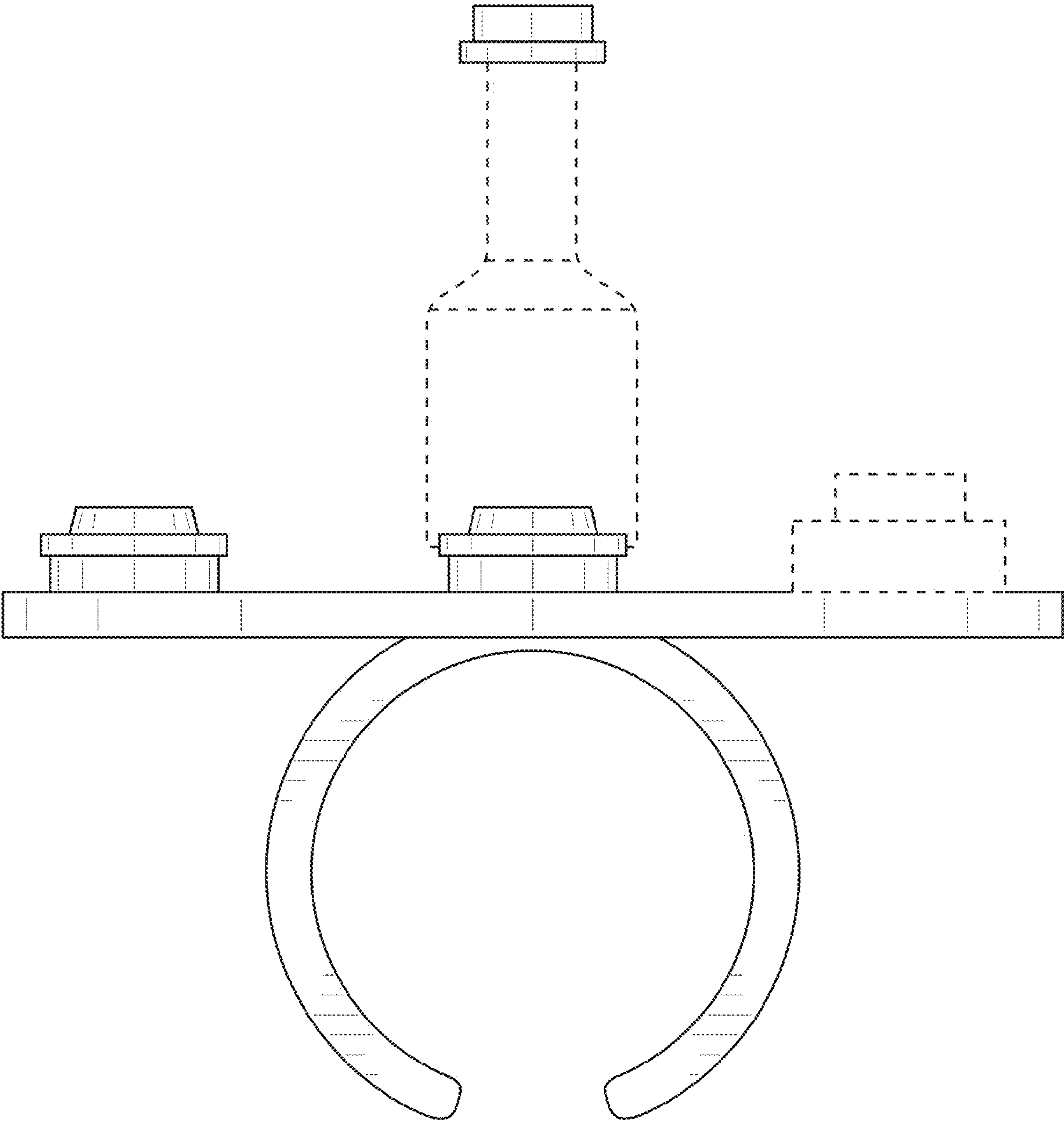


FIG. 4

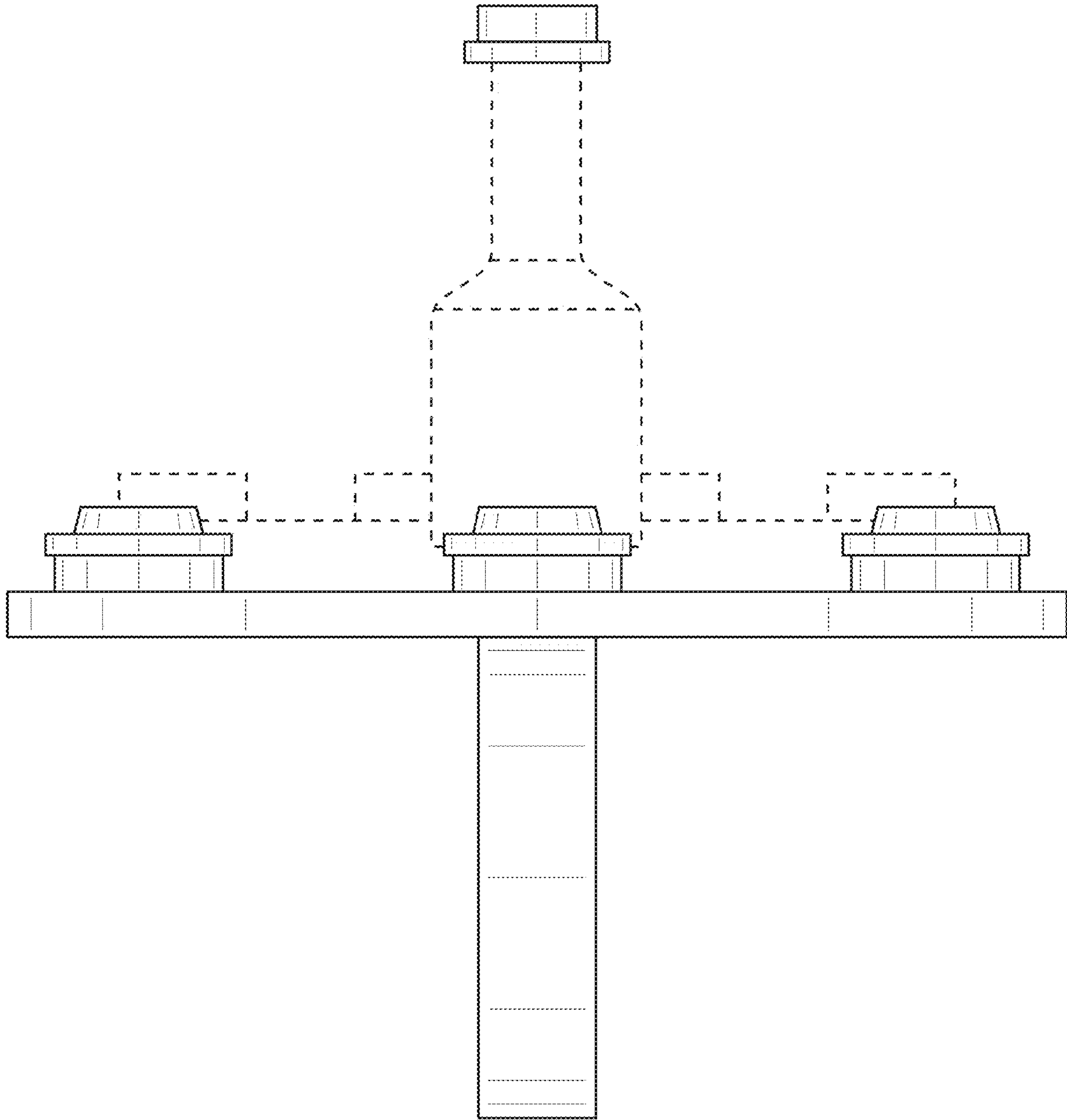


FIG. 5

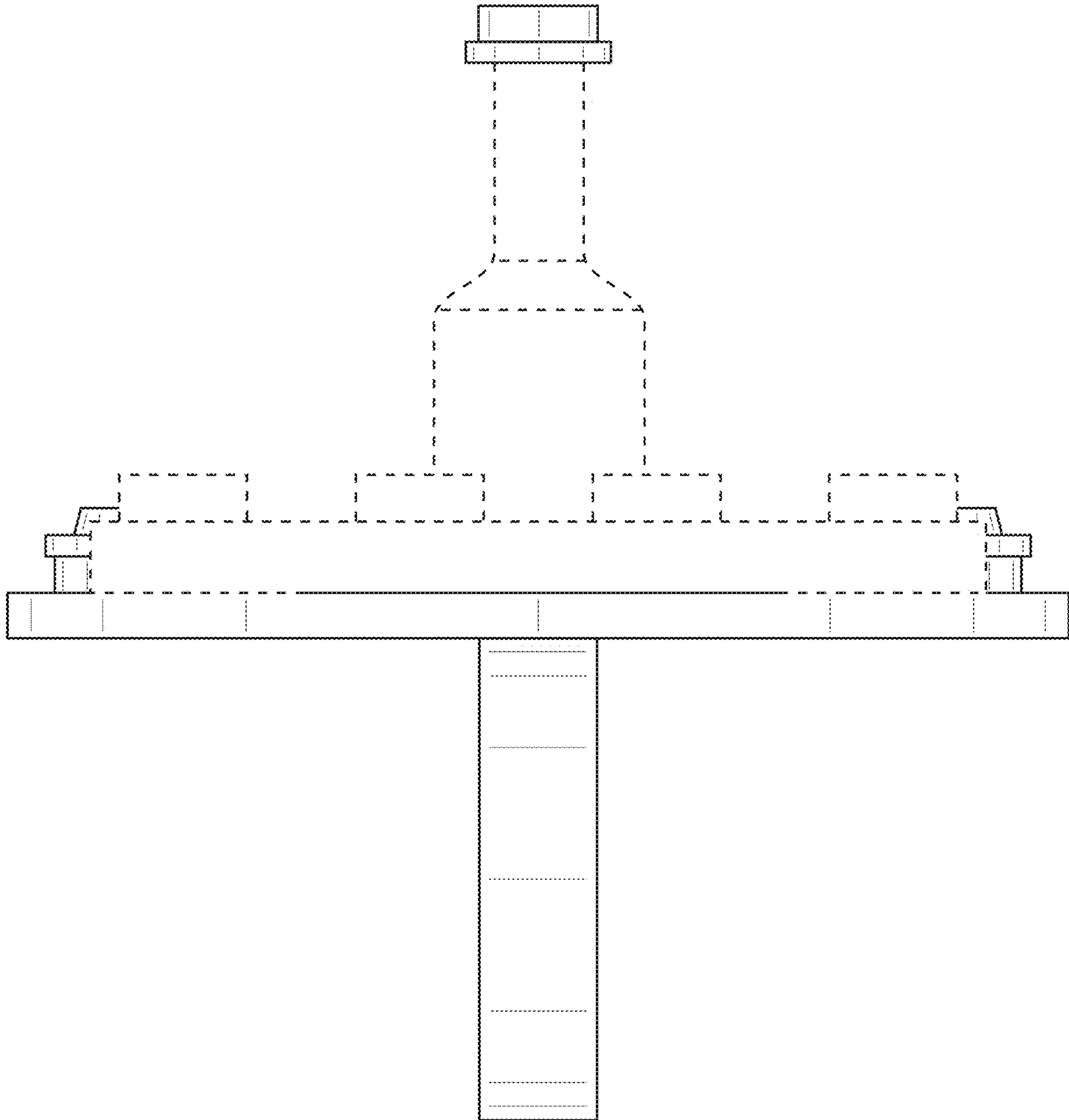


FIG. 6