



US00D907513S

(12) **United States Design Patent**
Qin

(10) **Patent No.:** **US D907,513 S**
(45) **Date of Patent:** **** Jan. 12, 2021**

(54) **METAL DETECTOR**
(71) Applicant: **Shanghai 21st Century Electronic Equipment Co., Ltd., Shanghai (CN)**
(72) Inventor: **Xiaolin Qin, Shanghai (CN)**
(**) Term: **15 Years**
(21) Appl. No.: **29/741,172**
(22) Filed: **Jul. 10, 2020**
(51) **LOC (13) Cl.** **10-04**
(52) **U.S. Cl.**
USPC **D10/47**
(58) **Field of Classification Search**
USPC D10/47
CPC ... G01V 3/00; G01V 3/02; G01V 3/04; G01V 3/06; G01V 3/08; G01V 3/081; G01V 3/082; G01V 3/083; G01V 2003/084; G01V 2003/085; G01V 2003/086; G01V 3/087; G01V 3/088; G01V 3/10; G01V 3/101; G01V 3/102; G01V 3/104; G01V 3/105; G01V 3/107; G01V 3/108; G01V 3/12; G01V 3/14; G01V 3/15; G01V 3/16; G01V 3/165; G01V 3/17; G01V 3/175; G01V 3/18; G01V 3/20; G01V 3/22; G01V 3/24; G01V 3/26; G01V 3/265; G01V 3/28; G01V 3/30; G01V 3/32; G01V 3/34; G01V 3/36; G01V 3/38; G01V 3/40
See application file for complete search history.

9,733,353 B1 * 8/2017 Carlson G01S 13/885
9,864,089 B2 * 1/2018 Andel G01V 3/15
D844,462 S * 4/2019 Griffin D10/47
D844,463 S * 4/2019 Zhang G01V 3/15
D10/47
D846,411 S * 4/2019 Zhang G01S 13/885
D10/47
D867,170 S * 11/2019 Deng D10/47
D881,034 S * 4/2020 Zhang D10/47
D881,035 S * 4/2020 Zhang D10/47
D881,037 S * 4/2020 Zhang D10/47
(Continued)

Primary Examiner — Antoine Duval Davis
(74) Attorney, Agent, or Firm — ZANIP

(57) **CLAIM**

The ornamental design for a metal detector, as shown and described.

DESCRIPTION

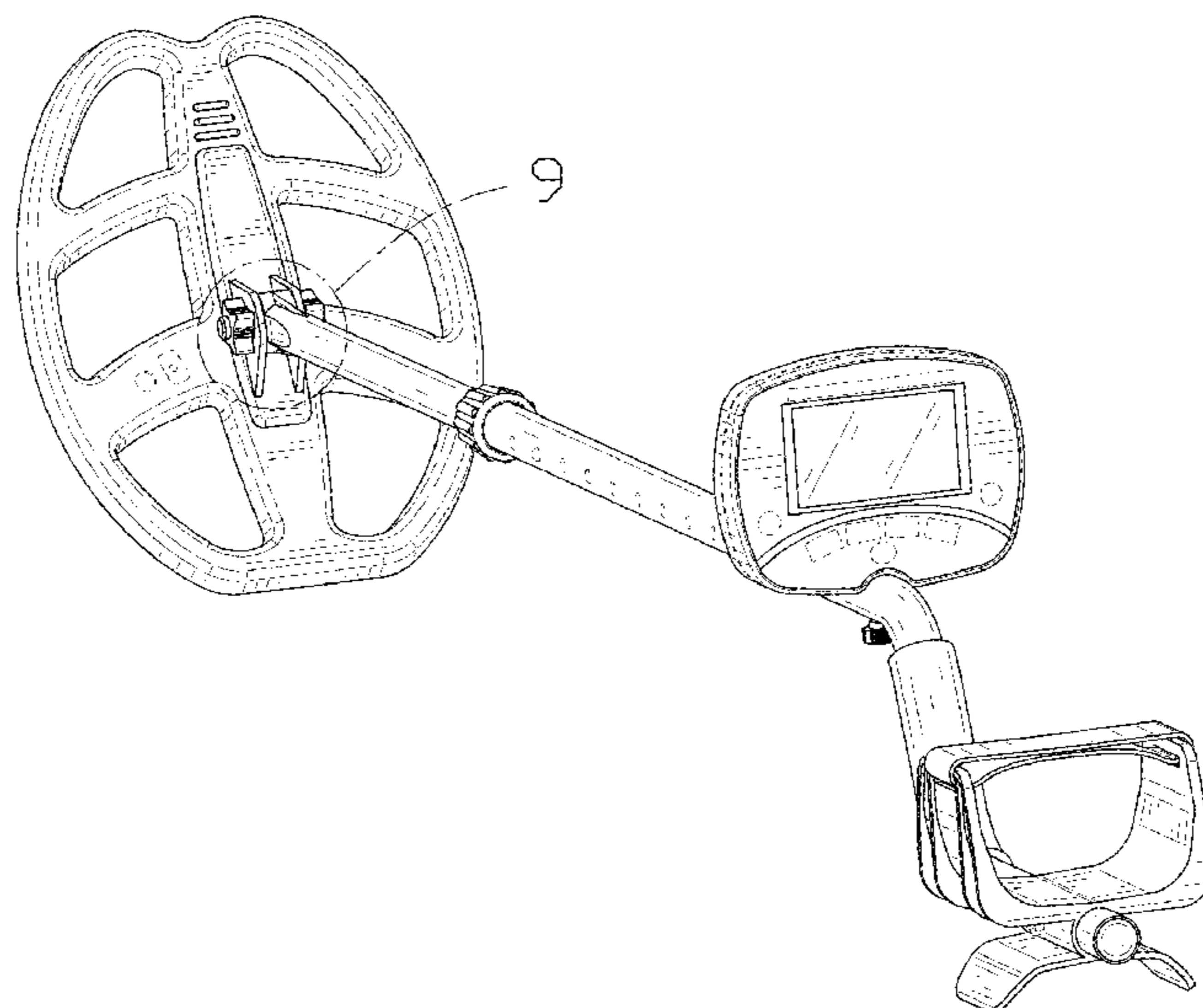
FIG. 1 is a front and top perspective view of a metal detector, showing my new design;
FIG. 2 is a rear and bottom perspective view thereof;
FIG. 3 is a front elevational view thereof;
FIG. 4 is a rear elevational view thereof;
FIG. 5 is a left side elevational view thereof;
FIG. 6 is a right side elevational view thereof;
FIG. 7 is a top plan view thereof;
FIG. 8 is a bottom plan view thereof; and
FIG. 9 is an enlarged view of a portion indicated with numeric 9 in FIG. 1;
FIG. 10 is an enlarged view of a portion indicated with numeric 10 in FIG. 2; and,
FIG. 11 is an enlarged view of a portion indicated with numeric 11 in FIG. 2.
The dashed broken lines in the figures illustrate portions of the metal detector that form no part of the claimed design. The dash dot dash, lines in FIGS. 1, 2, 9, 10 and 11 are for the purpose of depicting the cut line of the enlarged view and form no part of the claim.

1 Claim, 11 Drawing Sheets

(56) **References Cited**

U.S. PATENT DOCUMENTS

8,842,035 B2 * 9/2014 Duvoisin, III G01S 13/86
342/22
9,021,661 B2 * 5/2015 Andel B25G 1/04
16/429
D756,247 S * 5/2016 Pollock G01S 13/86
D10/47
9,664,809 B2 * 5/2017 Fry G01V 3/104



(56)

References Cited

U.S. PATENT DOCUMENTS

D881,727	S	*	4/2020	Deng	D10/47
D884,492	S	*	5/2020	Deng	D10/47
D885,206	S	*	5/2020	Deng	D10/47
D885,939	S	*	6/2020	Deng	D10/47
D889,996	S	*	7/2020	Qin	D10/47
D889,997	S	*	7/2020	Qin	D10/47
D889,998	S	*	7/2020	Qin	D10/47
D889,999	S	*	7/2020	Qin	D10/47
D899,275	S	*	10/2020	Ye	D10/47

* cited by examiner

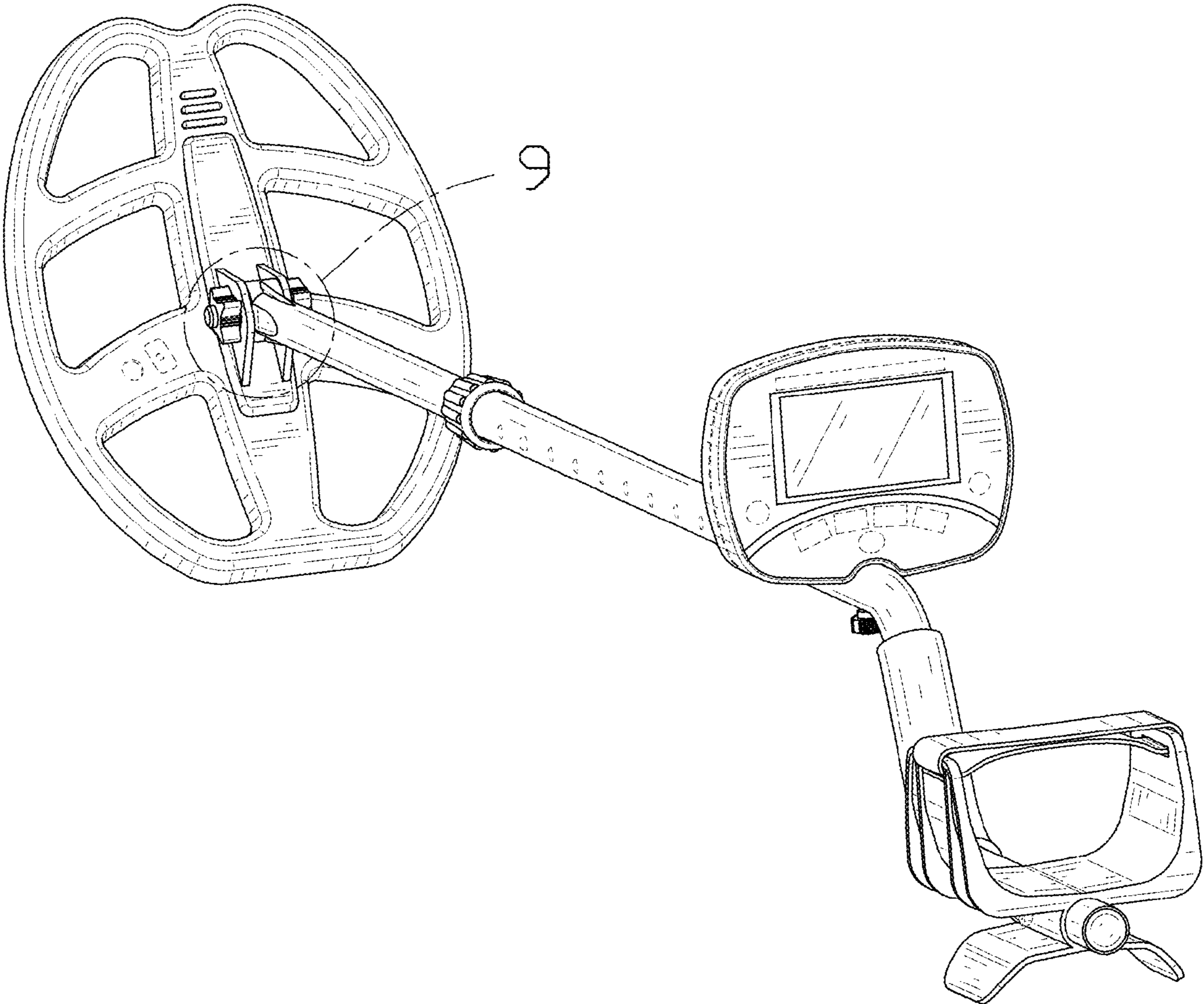


FIG. 1

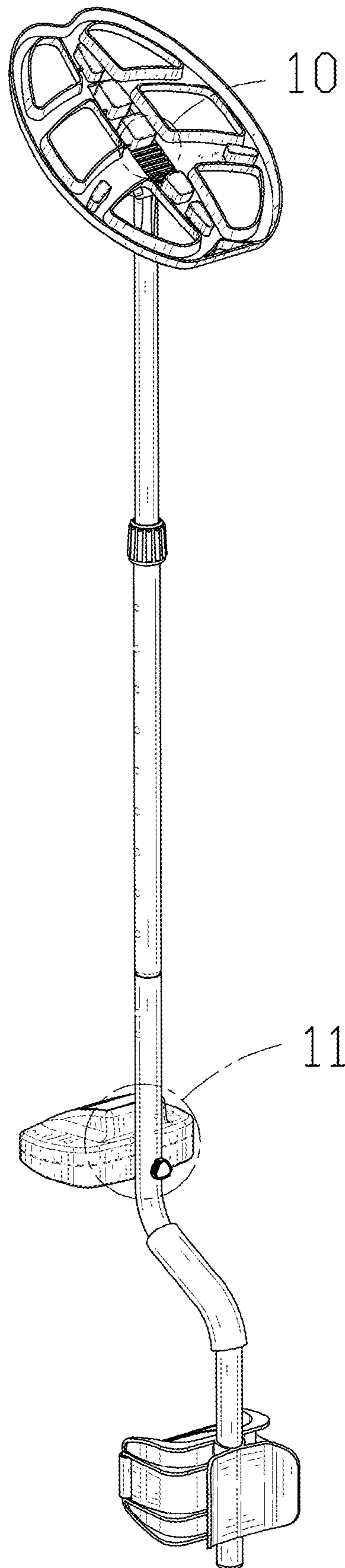


FIG. 2

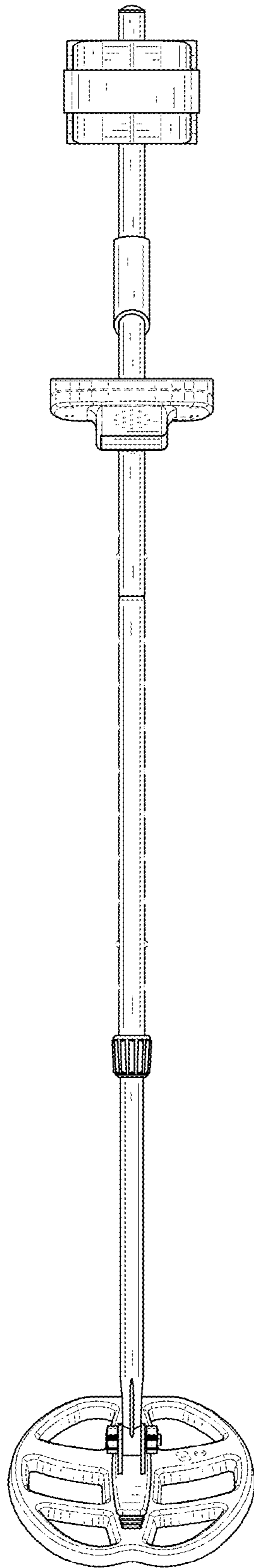


FIG. 3

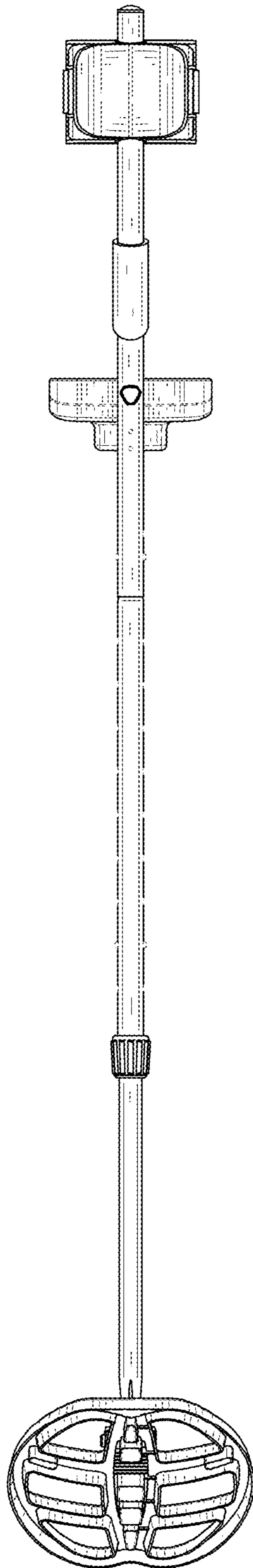


FIG. 4

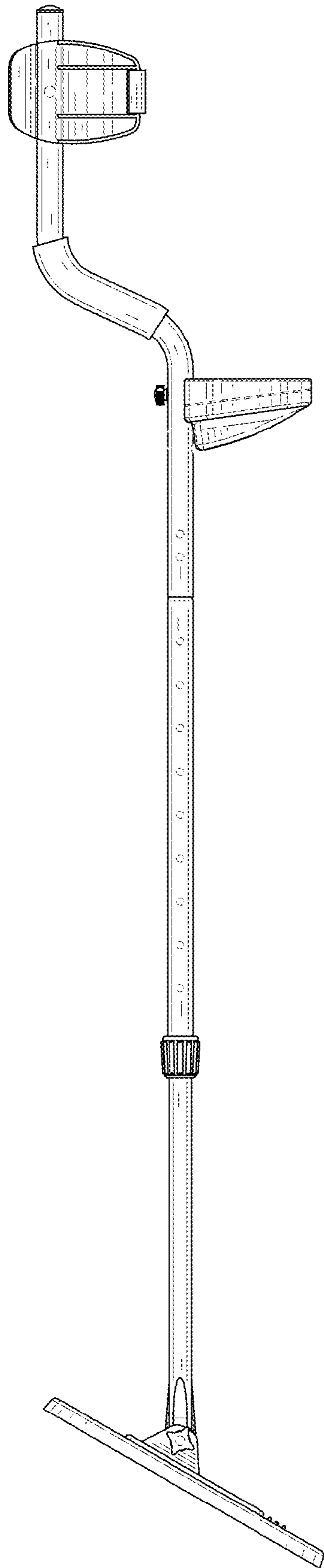


FIG. 5

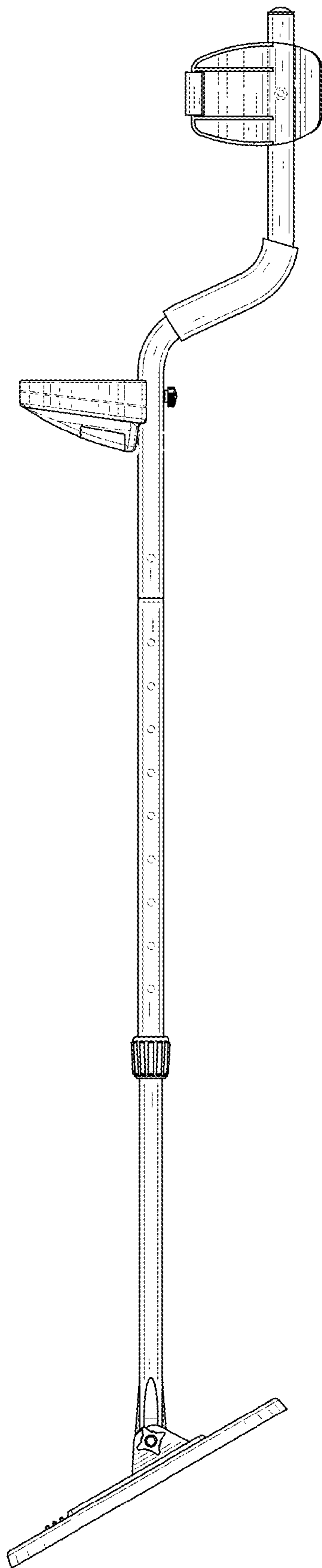


FIG. 6

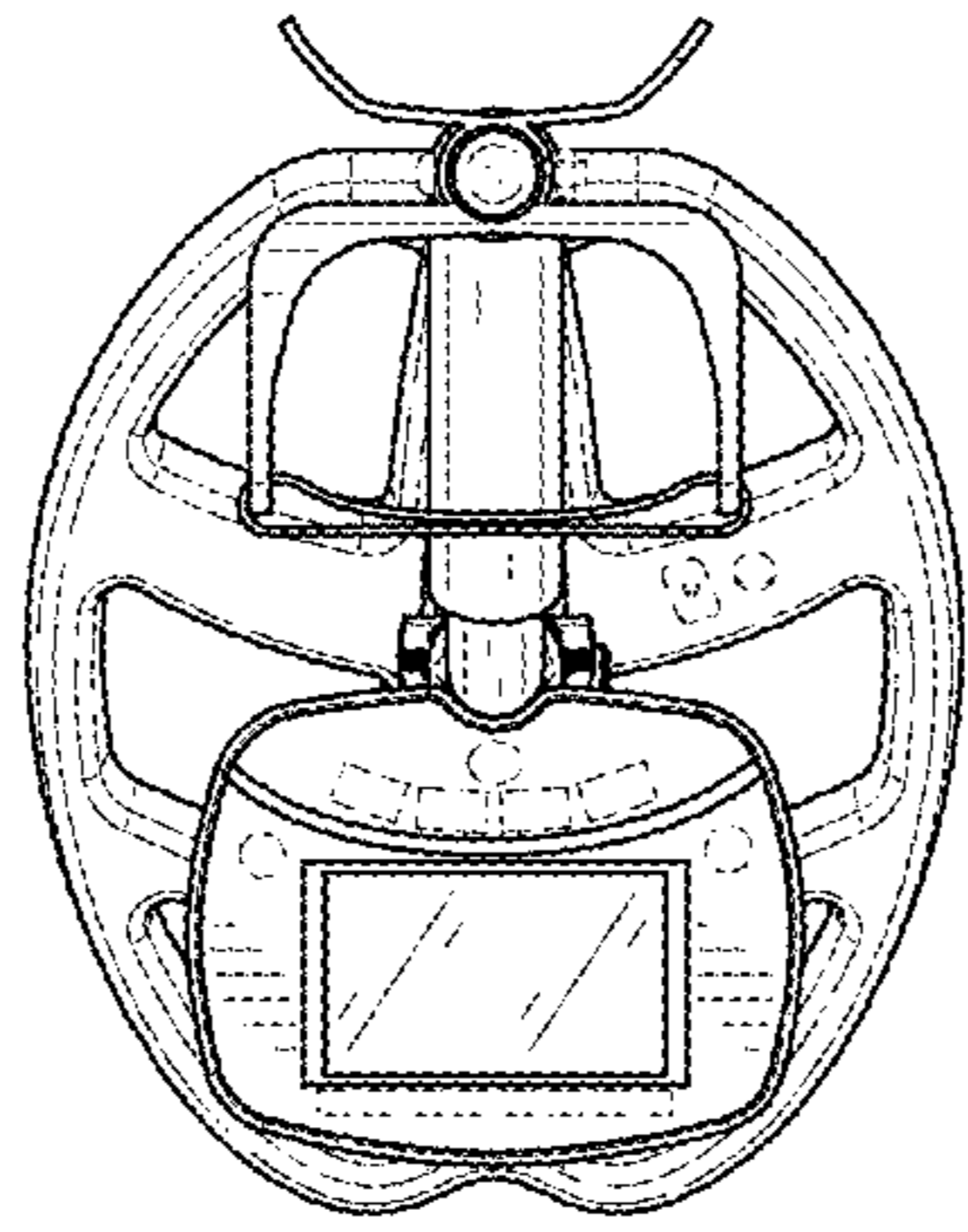


FIG. 7

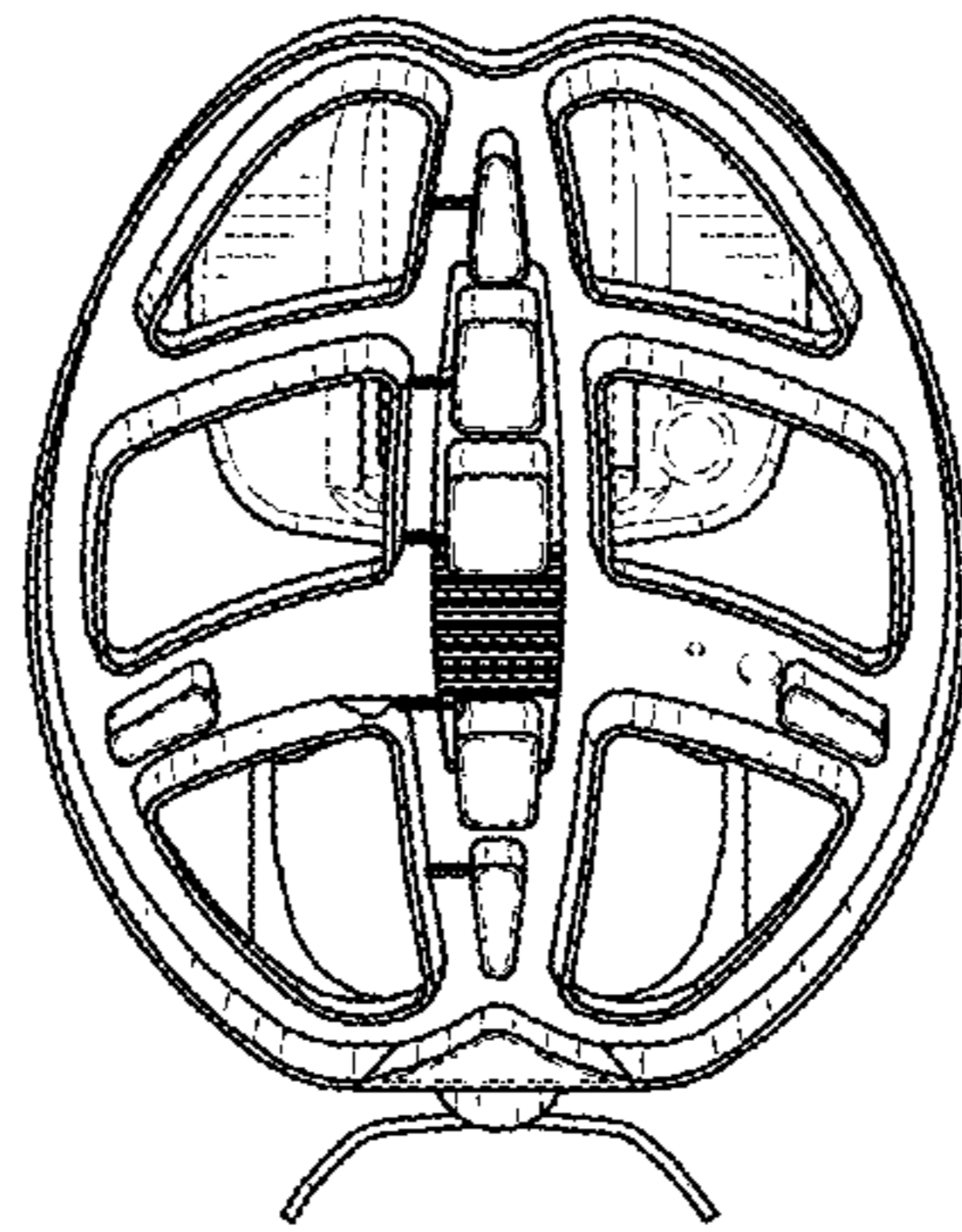


FIG. 8

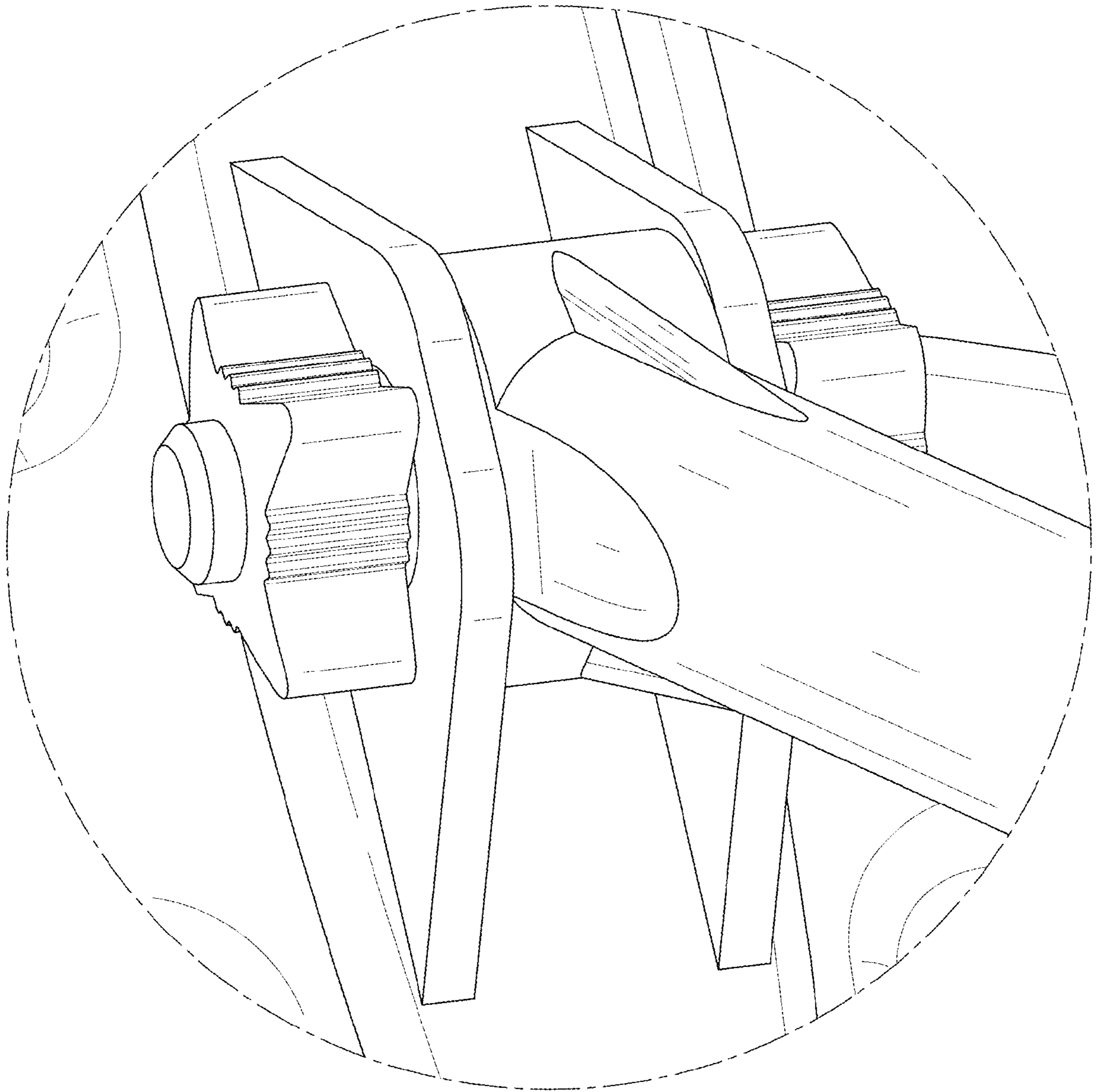


FIG. 9

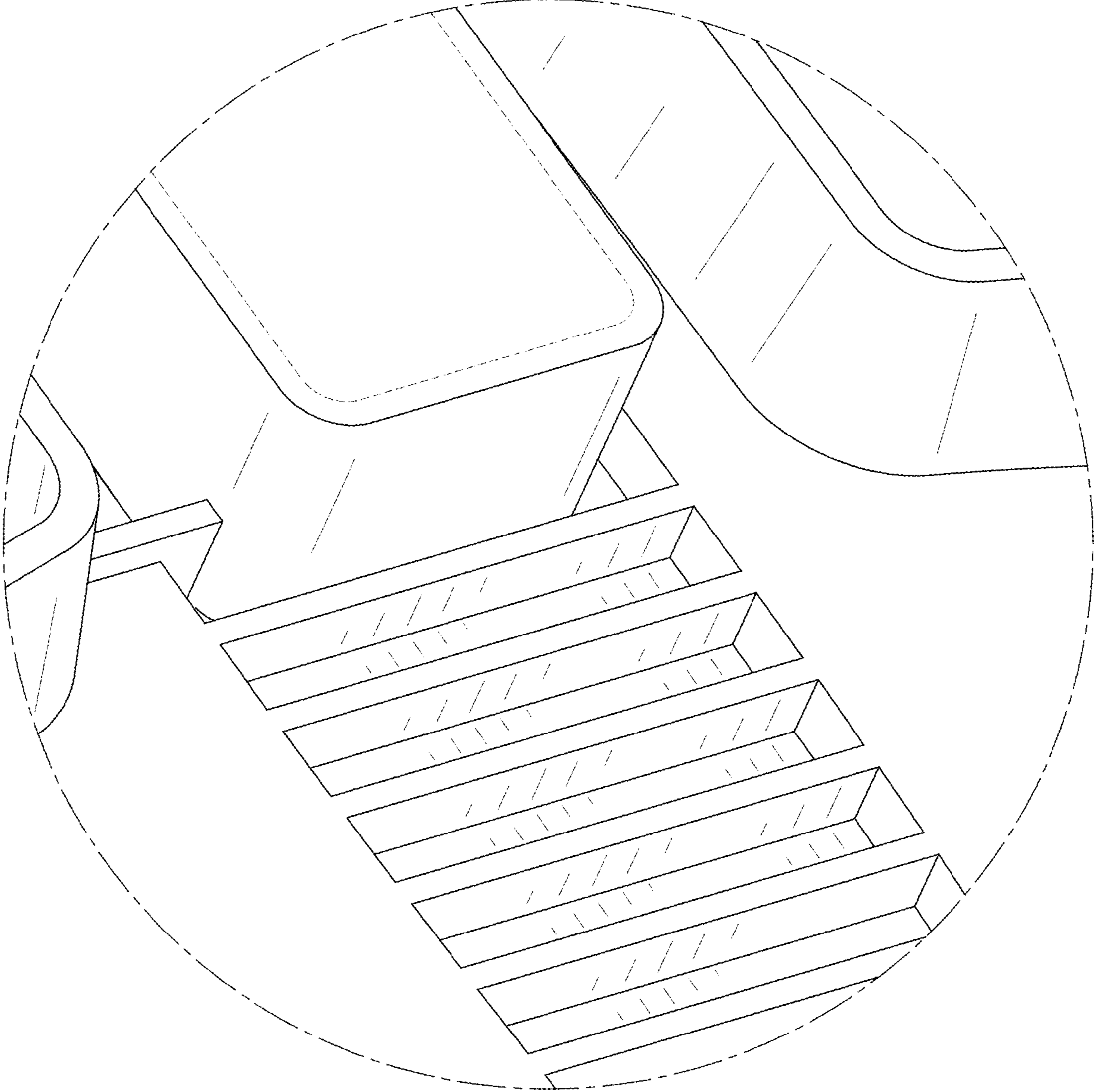


FIG. 10

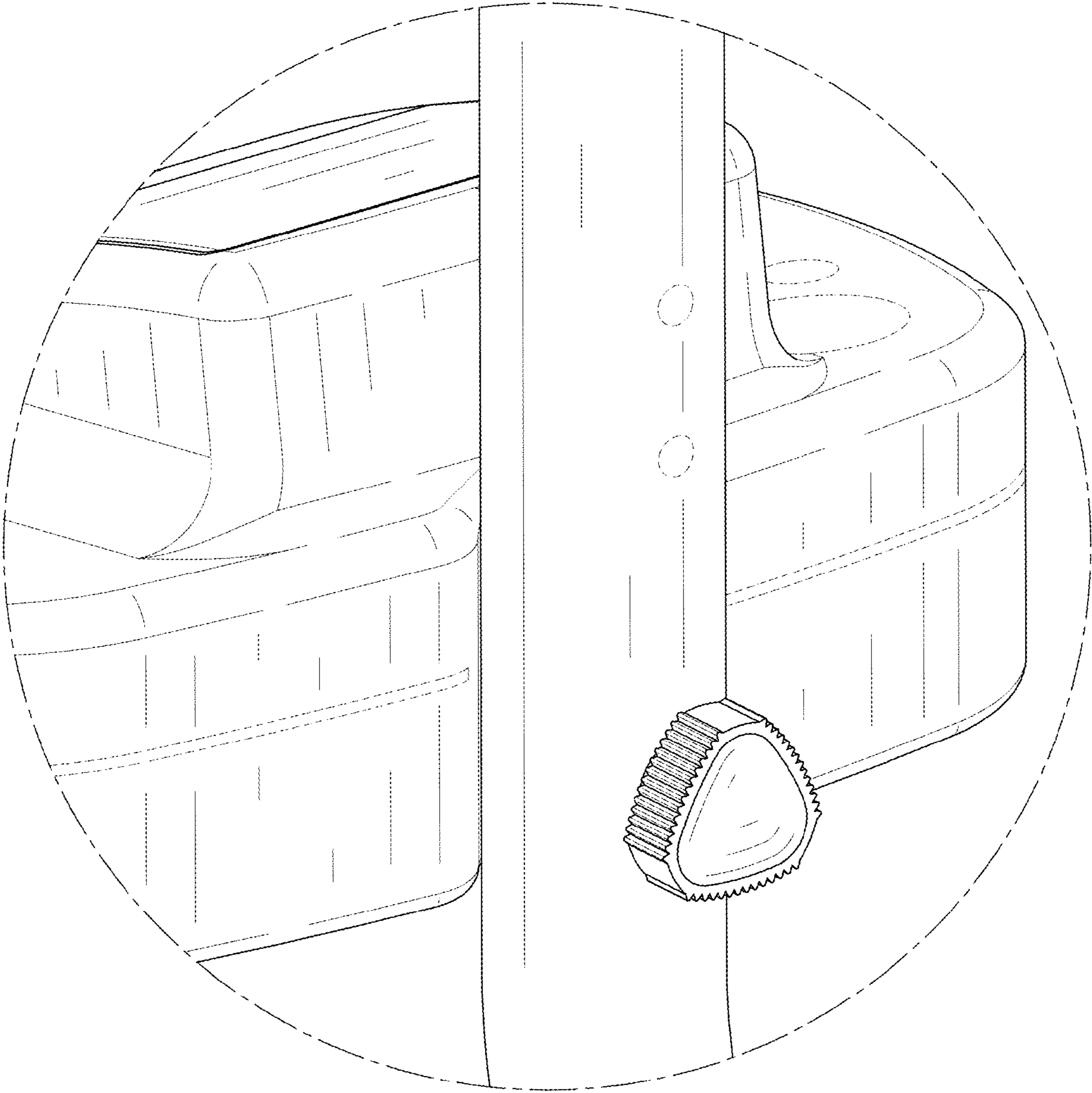


FIG. 11