



US00D907511S

(12) **United States Design Patent**
Dozier

(10) **Patent No.:** **US D907,511 S**
(45) **Date of Patent:** **** Jan. 12, 2021**

- (54) **POUCH**
- (71) Applicant: **LNJ Group, LLC**, Glen Head, NY (US)
- (72) Inventor: **Pamela Dozier**, Doylestown, PA (US)
- (73) Assignee: **LNJ Group, LLC**, Glen Head, NY (US)
- (**) Term: **15 Years**
- (21) Appl. No.: **29/680,336**
- (22) Filed: **Feb. 14, 2019**
- (51) **LOC (13) Cl.** **09-05**
- (52) **U.S. Cl.**
USPC **D9/707**
- (58) **Field of Classification Search**
USPC D9/702-703, 705, 707, 709, 713-714, D9/720, 414-416, 737, 643, 648; 426/106, 114-115, 119; 222/92, 107, 222/215, 527; 383/61.1, 113, 78, 84, 383/108, 207, 38, 63, 114, 210; 219/727; D3/202, 203.1, 303; 206/811; D24/118, D24/207; 229/87.06, 87.03, 87.08
CPC B65D 858/00; B65D 75/00; B65D 33/00; B65D 33/04; B65D 33/24; B65D 33/16; B65D 33/12; B65D 33/008; B65D 33/02; B65D 33/01; B65D 81/3415; B65D 81/343; B65D 81/3438; B65D 81/3446; B65D 81/3461; B65D 81/3266; B65D 81/22; A47K 10/421
See application file for complete search history.

D354,906 S	1/1995	Lane, Jr. et al.	
5,529,224 A	6/1996	Chan et al.	
D435,440 S	12/2000	Croft et al.	
D484,972 S	1/2004	Steele, IV et al.	
D533,462 S	12/2006	Bachmann	
D573,037 S	7/2008	Murray	
D580,782 S	11/2008	Murray	
D584,168 S	1/2009	Murray	
D658,506 S	5/2012	Berman	
D698,663 S	2/2014	Lin	
D724,443 S *	3/2015	Sharpe	D9/710
D744,352 S *	12/2015	Quarles	D9/707
D744,853 S *	12/2015	Murray	D9/707
D807,760 S *	1/2018	Fetisenkov	D9/707
D821,178 S *	6/2018	Fontanez	D8/339
D859,178 S *	9/2019	Mahin	D9/708
D861,494 S *	10/2019	Hartung	D9/702

(Continued)

- (56) **References Cited**
U.S. PATENT DOCUMENTS
4,463,876 A 8/1984 Swallert
D309,432 S 7/1990 Mancini
5,067,635 A 11/1991 Thomsen

FOREIGN PATENT DOCUMENTS

WO	2013190472 A1	12/2013
WO	DM/097082	9/2016

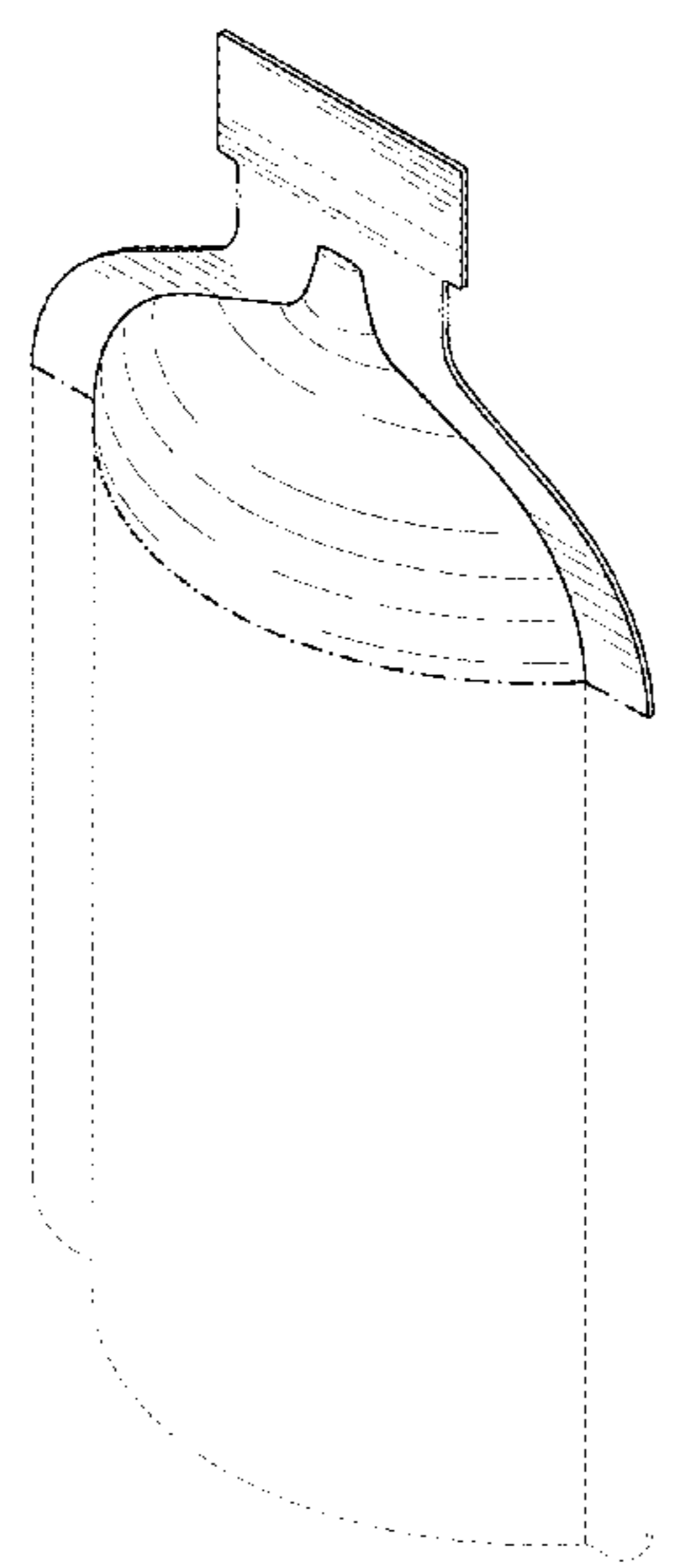
Primary Examiner — Abraham Bahta
(74) *Attorney, Agent, or Firm* — Medley, Behrens & Lewis, LLC; Lorri W. Cooper

(57) **CLAIM**
The ornamental design for a pouch, as shown and described.

DESCRIPTION

FIG. 1 is a perspective view of an example pouch according to the invention;
FIG. 2 is a front plan view thereof, with the rear plan view being a mirror image thereof;
FIG. 3 is a right-side plan view thereof, with the left side plan view being a mirror image thereof;
FIG. 4 is a top plan view thereof; and,
FIG. 5 is a bottom plan view thereof.
The broken line showings of FIGS. 1-5 are for illustrative purposes only and form no part of the claimed design.

1 Claim, 2 Drawing Sheets



(56)

References Cited

U.S. PATENT DOCUMENTS

D883,103 S * 5/2020 Templin D9/707
2004/0131286 A1 7/2004 Rosen
2017/0253402 A1 9/2017 Melville, Jr. et al.

* cited by examiner

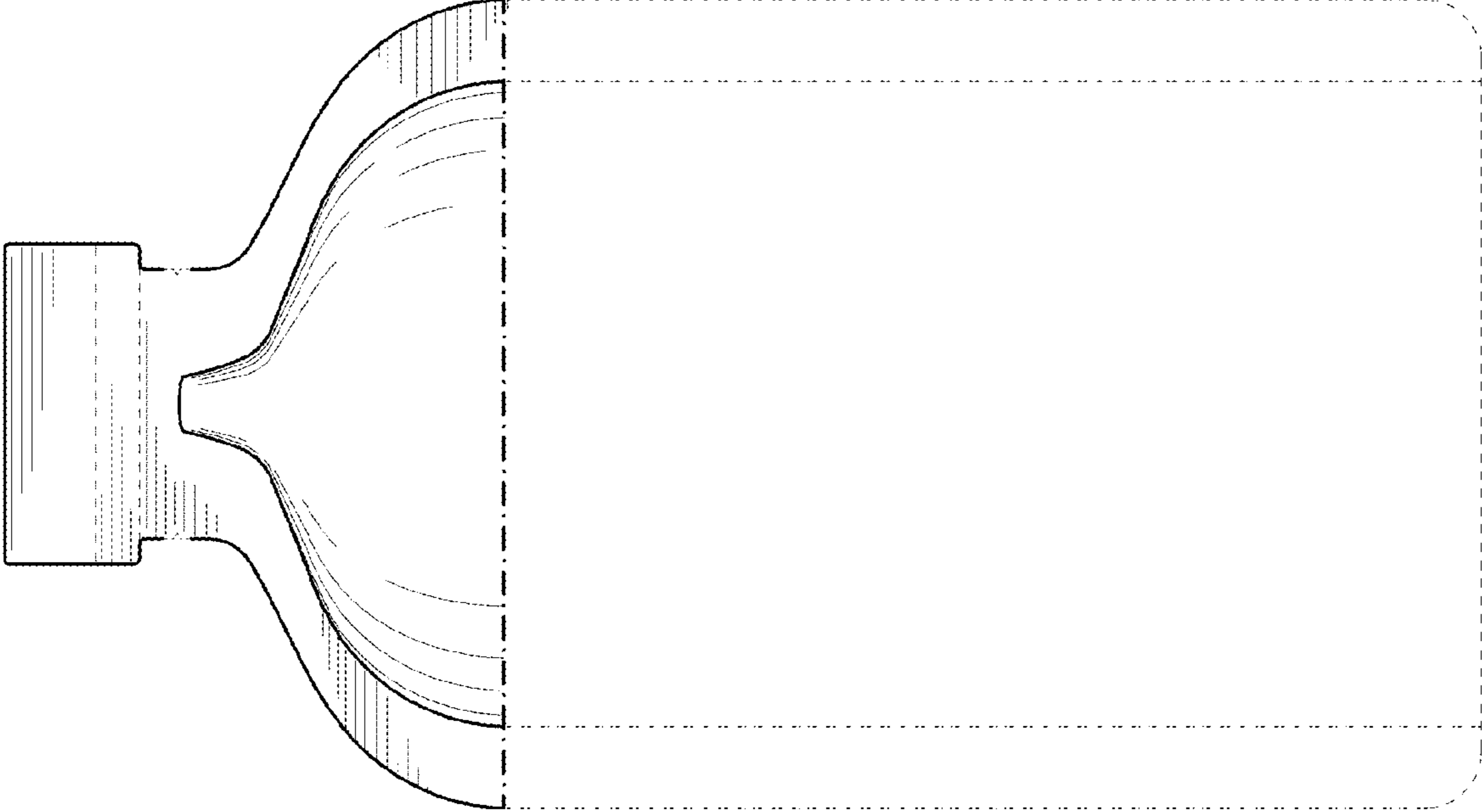


Fig. 2

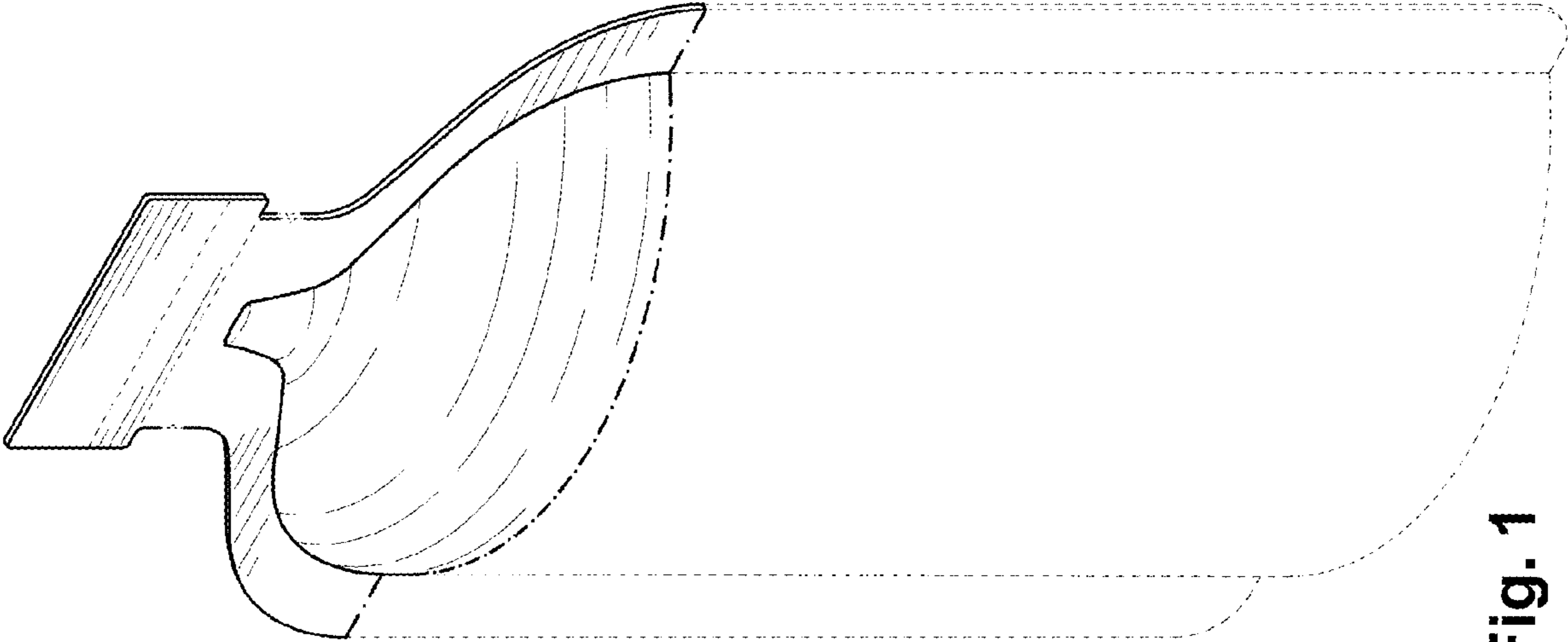


Fig. 1

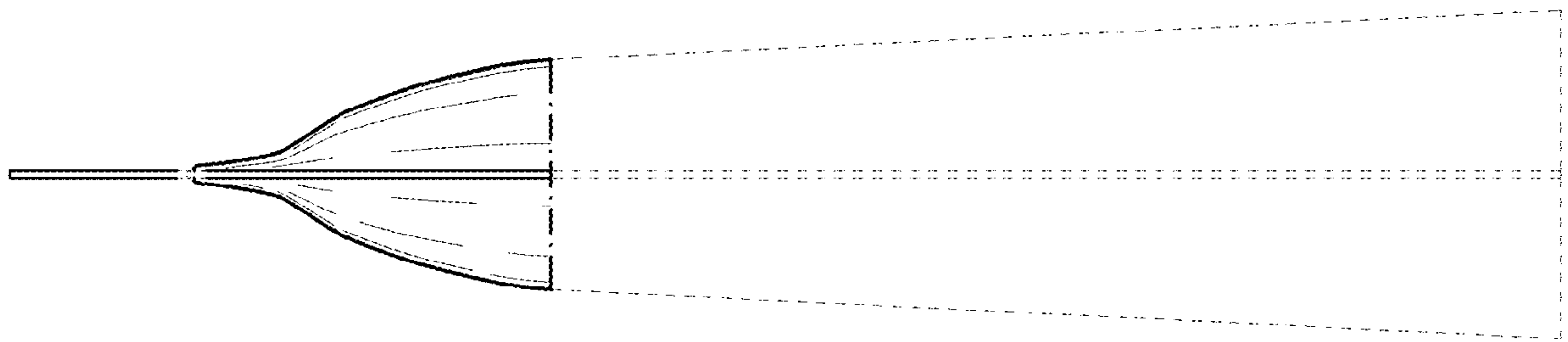


Fig. 3

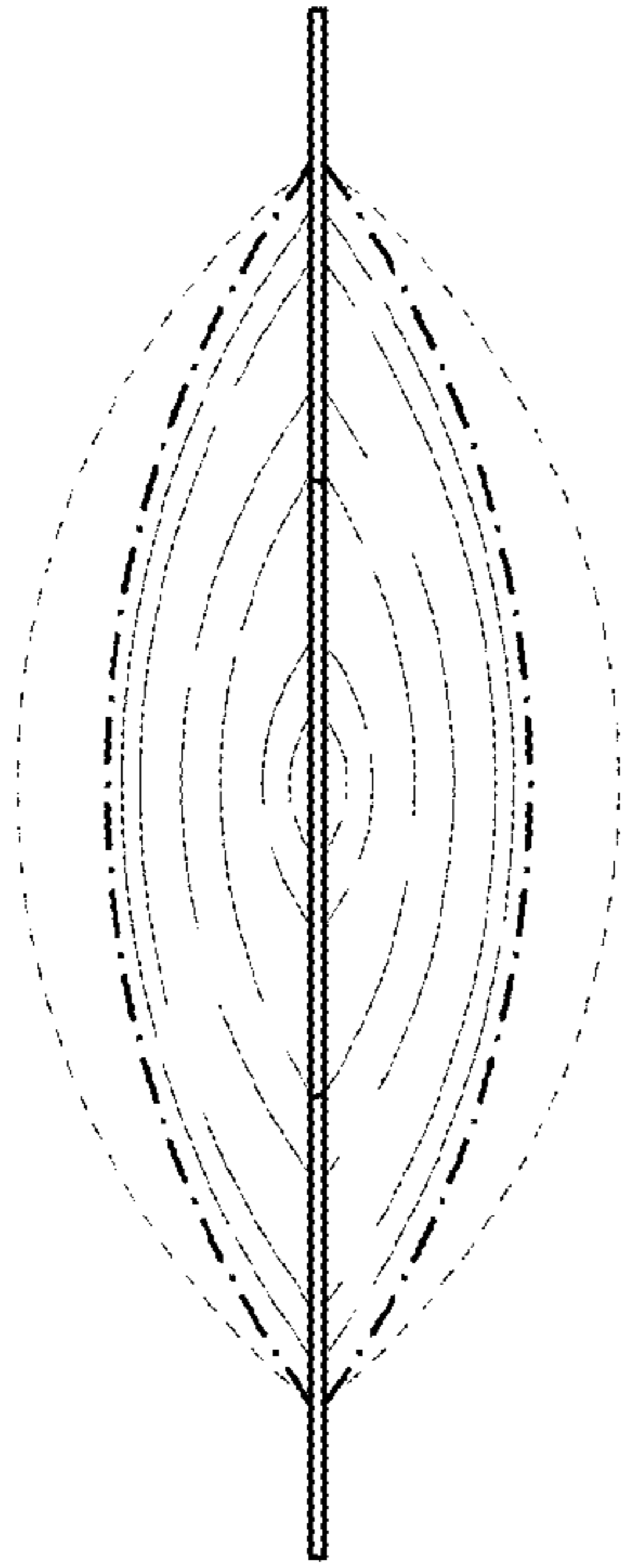


Fig. 4

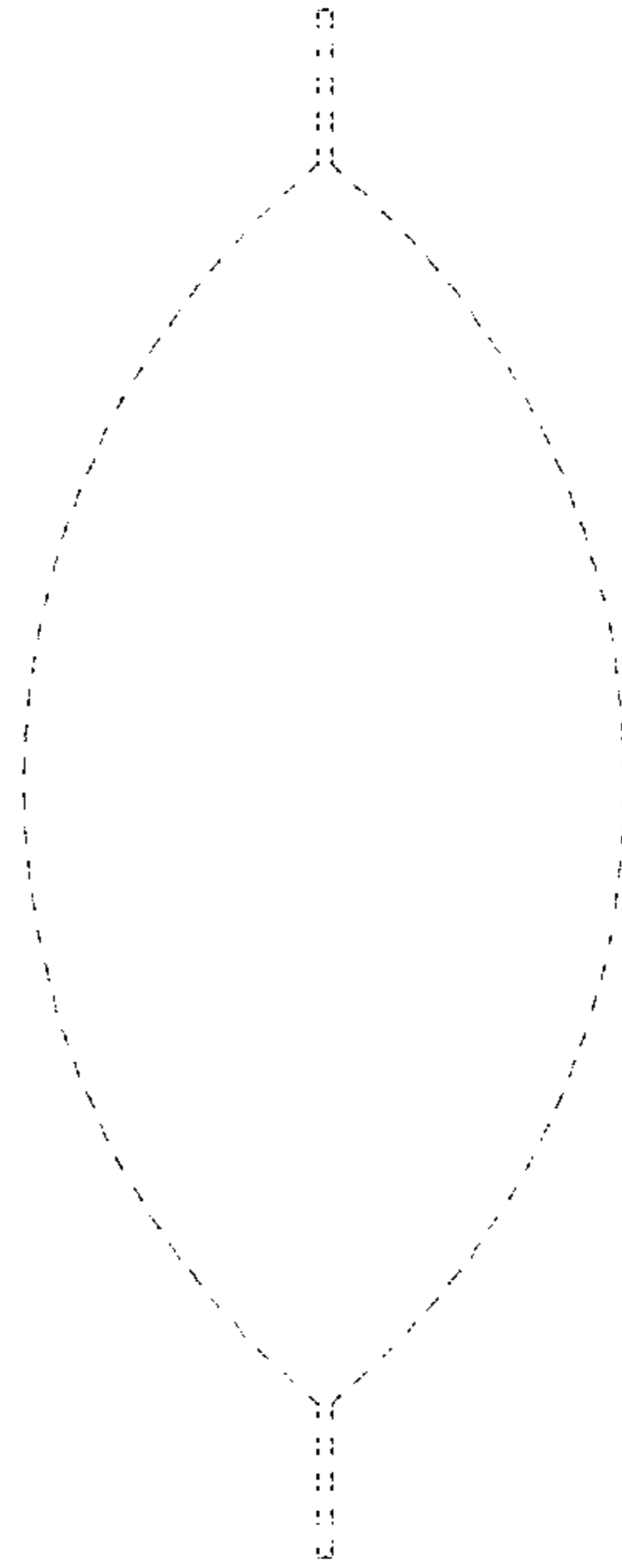


Fig. 5