



US00D907510S

(12) **United States Design Patent**  
**Merritt**

(10) **Patent No.:** **US D907,510 S**  
(45) **Date of Patent:** **\*\* Jan. 12, 2021**

(54) **DUAL-CHAMBERED COMBINATION  
SQUEEZE CONTAINER AND DISPENSER  
FOR PERSONAL LUBRICANT**

(71) Applicant: **Alyse Nicole Merritt**, Land O Lakes,  
FL (US)

(72) Inventor: **Alyse Nicole Merritt**, Land O Lakes,  
FL (US)

(\*\*) Term: **15 Years**

(21) Appl. No.: **29/624,890**

(22) Filed: **Nov. 5, 2017**

(51) **LOC (13) Cl.** ..... **09-01**

(52) **U.S. Cl.**

USPC ..... **D9/684**; D9/686

(58) **Field of Classification Search**

USPC ..... D9/600, 601, 624, 628, 629, 668, 682,  
D9/684, 686-694, 715, 718, 719,  
D9/723-729, 737, 738, 741-746, 503,  
D9/504, 529, 530, 537, 539, 540, 542,  
D9/543, 558, 575, 435, 436, 447, 448,  
D9/449, 900; D24/108, 119, 141, 200,  
D24/206-208, 211, 214, 215; D7/300,  
D7/305, 310, 312, 313, 315, 321, 589,  
D7/590; D28/9, 76, 77, 99

CPC ..... B65D 21/02; B65D 21/0204;  
B65D 21/0209; B65D 21/0212; B65D  
21/023; B65D 1/0223; B65D 1/04; B65D  
1/06; B65D 1/09; B65D 1/32; B65D  
1/40; B65D 23/102; B65D 81/3205;  
B65D 2251/06; B65D 83/00; B65D  
83/0094; B65D 83/14;

(Continued)

(56) **References Cited**

**U.S. PATENT DOCUMENTS**

903,098 A \* 11/1908 Katzenberger ..... A61M 3/0262  
604/215  
D56,082 S \* 8/1920 Smith ..... D9/745

(Continued)

**FOREIGN PATENT DOCUMENTS**

EP 1992566 A1 \* 11/2008 ..... B65D 21/0204  
FR 2299237 A1 \* 8/1976 ..... B65D 21/0231

*Primary Examiner* — Catherine A Tuttle

(74) *Attorney, Agent, or Firm* — Robert Varkonyi;  
Zagrebelky Law P.A.

(57) **CLAIM**

The ornamental design for the dual-chambered combination  
squeeze container and dispenser for personal lubricant, as  
shown and described.

**DESCRIPTION**

FIG. 1 is a front view of the dual-chambered combination  
squeeze container and dispenser for personal lubricant,  
showing my new design.

FIG. 2 is a side view thereof.

FIG. 3 is a front perspective view thereof.

FIG. 4 is an exploded front and top perspective view thereof.

FIG. 5 is a top view of the upper component in FIG. 4,  
shown separately for clarity of this disclosure.

FIG. 6 is a side view thereof.

FIG. 7 is a front and top perspective view thereof.

FIG. 8 is a front view thereof.

FIG. 9 is a top view of the lower component in FIG. 4,  
shown separately for clarity of this disclosure.

FIG. 10 is a side view thereof.

FIG. 11 is a top perspective view thereof.

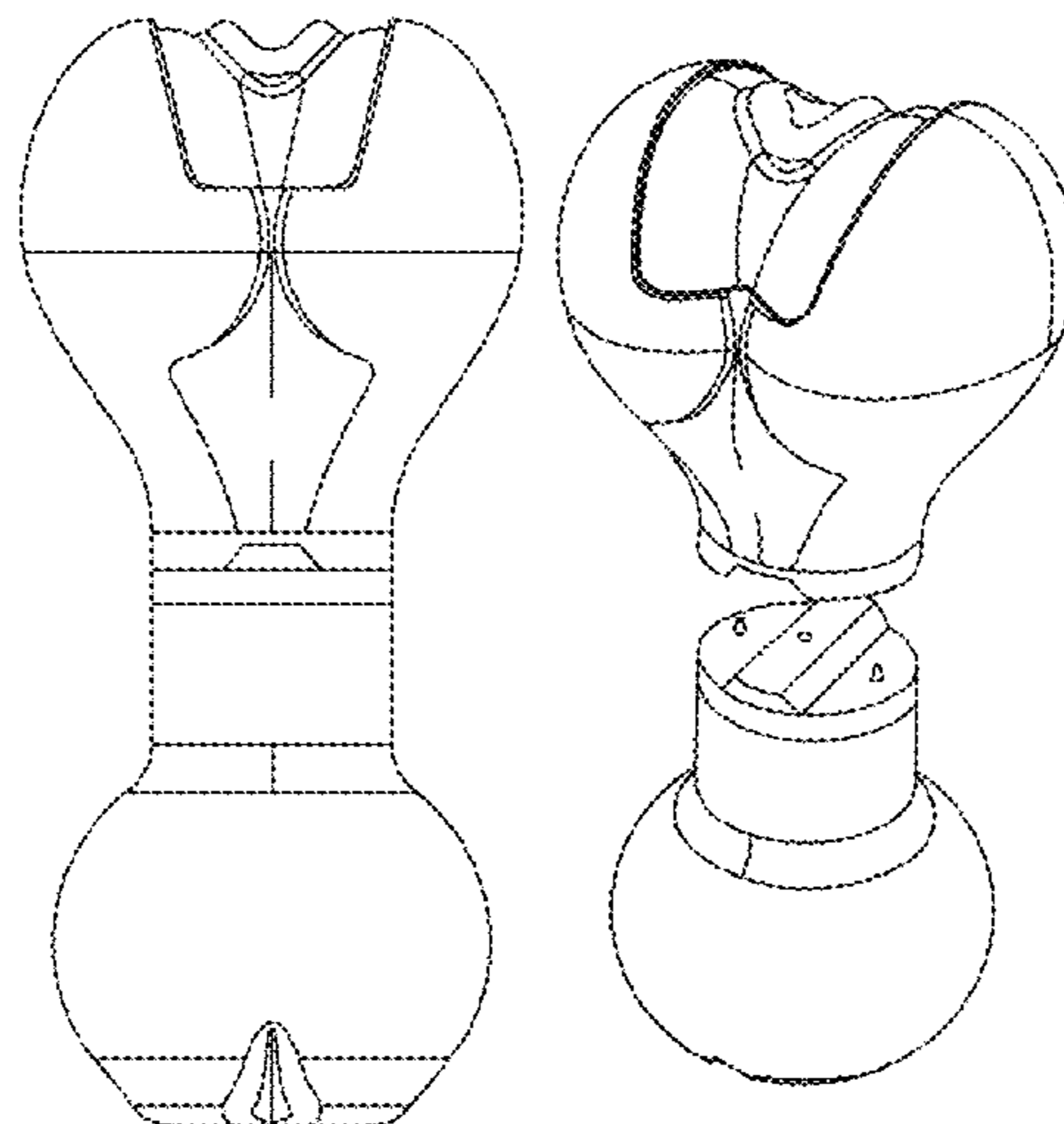
FIG. 12 is a front view thereof.

FIG. 13 is a front view of the middle portion in FIG. 4, with  
the remaining portions omitted for ease of illustration; and,

FIG. 14 is a lower perspective view thereof.

The broken lines depict the portions of the combination  
squeeze container and dispenser for personal lubricant that  
form no part of the claimed design.

**1 Claim, 4 Drawing Sheets**



(58) **Field of Classification Search**

CPC .... B65D 83/38; B65D 83/382; B65D 83/384;  
B65D 83/386; B65D 83/68; B65D  
83/752; B65D 83/753; B65D 2501/0081;  
A61H 19/00; B05B 11/0037; B05B  
11/0078; A45D 34/02-06; A45D  
2200/05-10

See application file for complete search history.

(56) **References Cited**

U.S. PATENT DOCUMENTS

D218,148 S \* 7/1970 Noyes et al. .... D9/523  
D229,168 S \* 11/1973 Silfang ..... D9/504  
5,887,754 A \* 3/1999 Wilkinson ..... B65D 81/365  
222/78  
D407,635 S \* 4/1999 Fregeau ..... D9/629  
D444,597 S \* 7/2001 Weinstock ..... D28/76  
D540,181 S \* 4/2007 Edwards ..... D30/160  
D667,132 S \* 9/2012 Marshall ..... D24/215  
D674,283 S \* 1/2013 Jarreau ..... D9/451  
D763,103 S \* 8/2016 Fleischhacker ..... D9/745  
D815,493 S \* 4/2018 Merritt ..... B65D 25/20  
D7/590  
D820,109 S \* 6/2018 Michan Chavez ..... D9/668  
2007/0095783 A1 \* 5/2007 Grant ..... B65D 1/0223  
215/379  
2010/0217176 A1 \* 8/2010 Carrara ..... A45D 34/04  
604/20  
2013/0134161 A1 \* 5/2013 Fogel ..... B65D 21/0209  
220/23.83  
2018/0132670 A1 \* 5/2018 Beckerman ..... B65D 25/14

\* cited by examiner

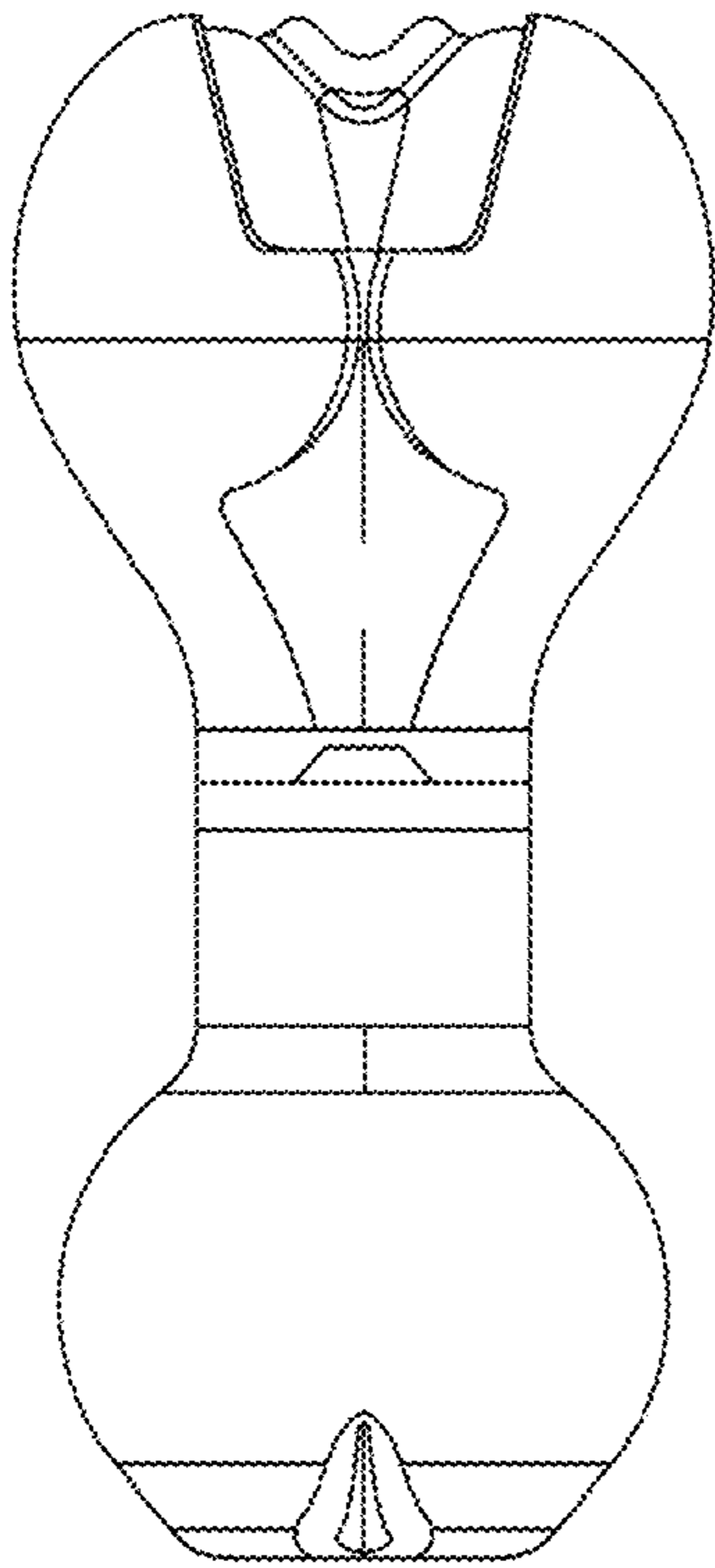


FIG. 1

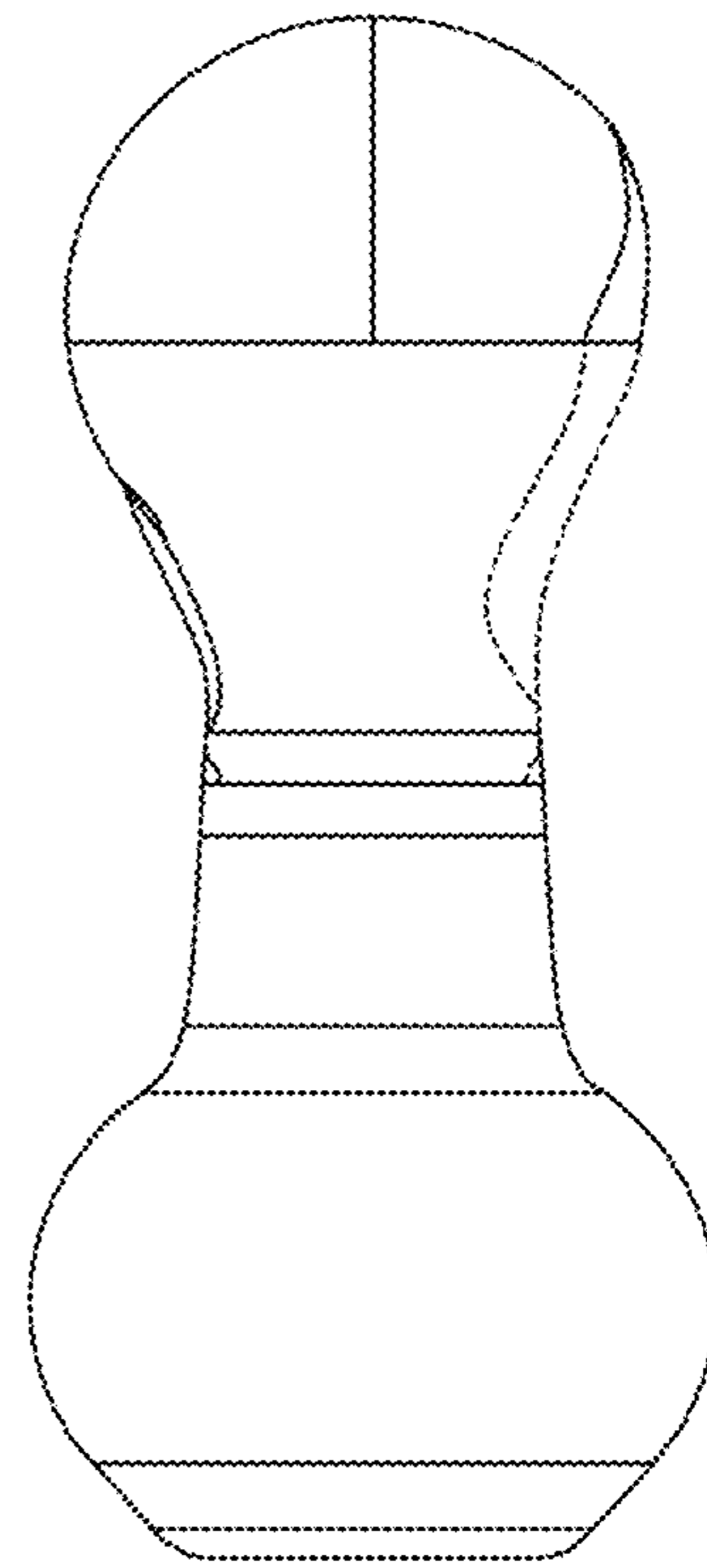


FIG. 2

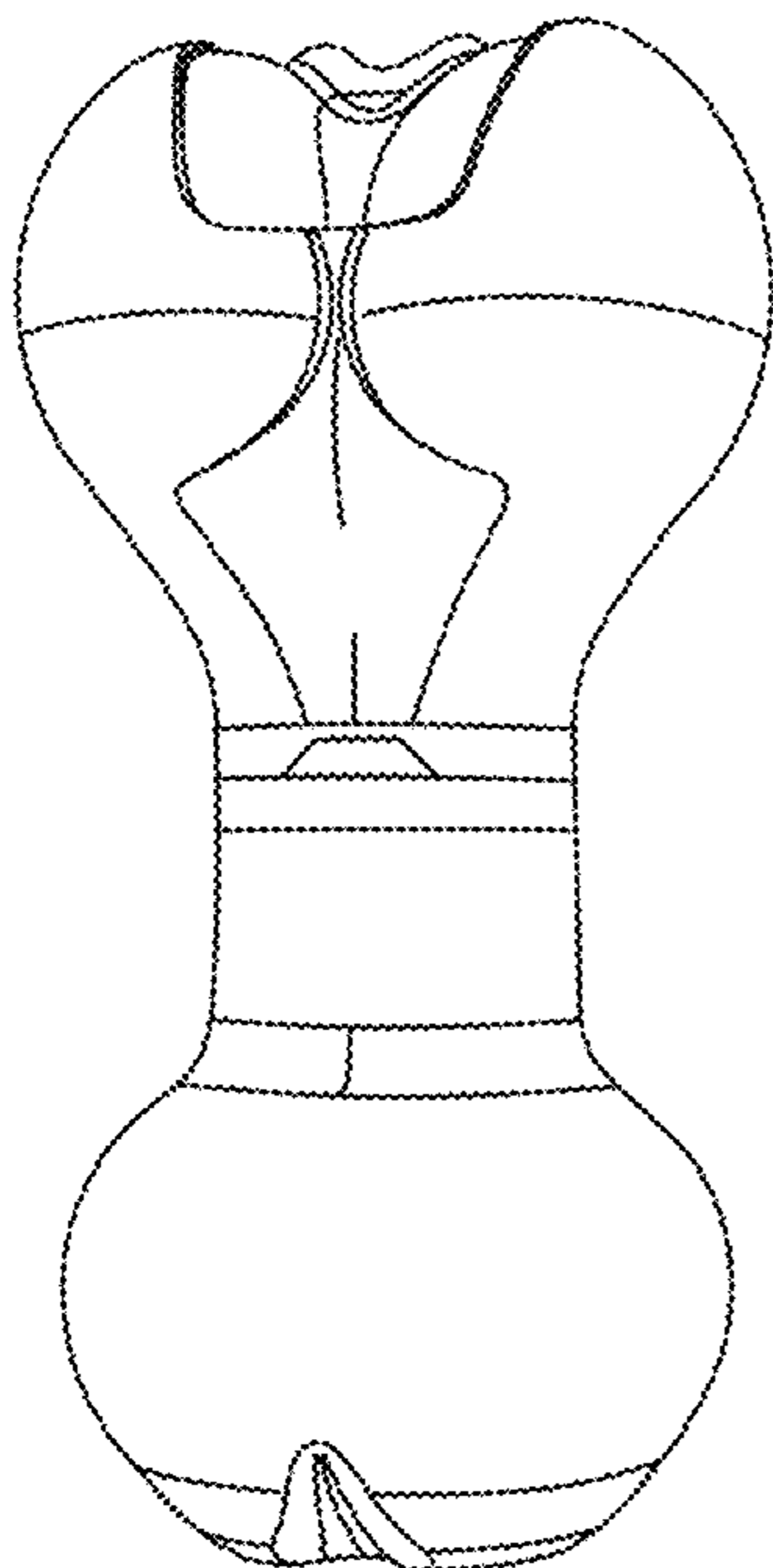


FIG. 3

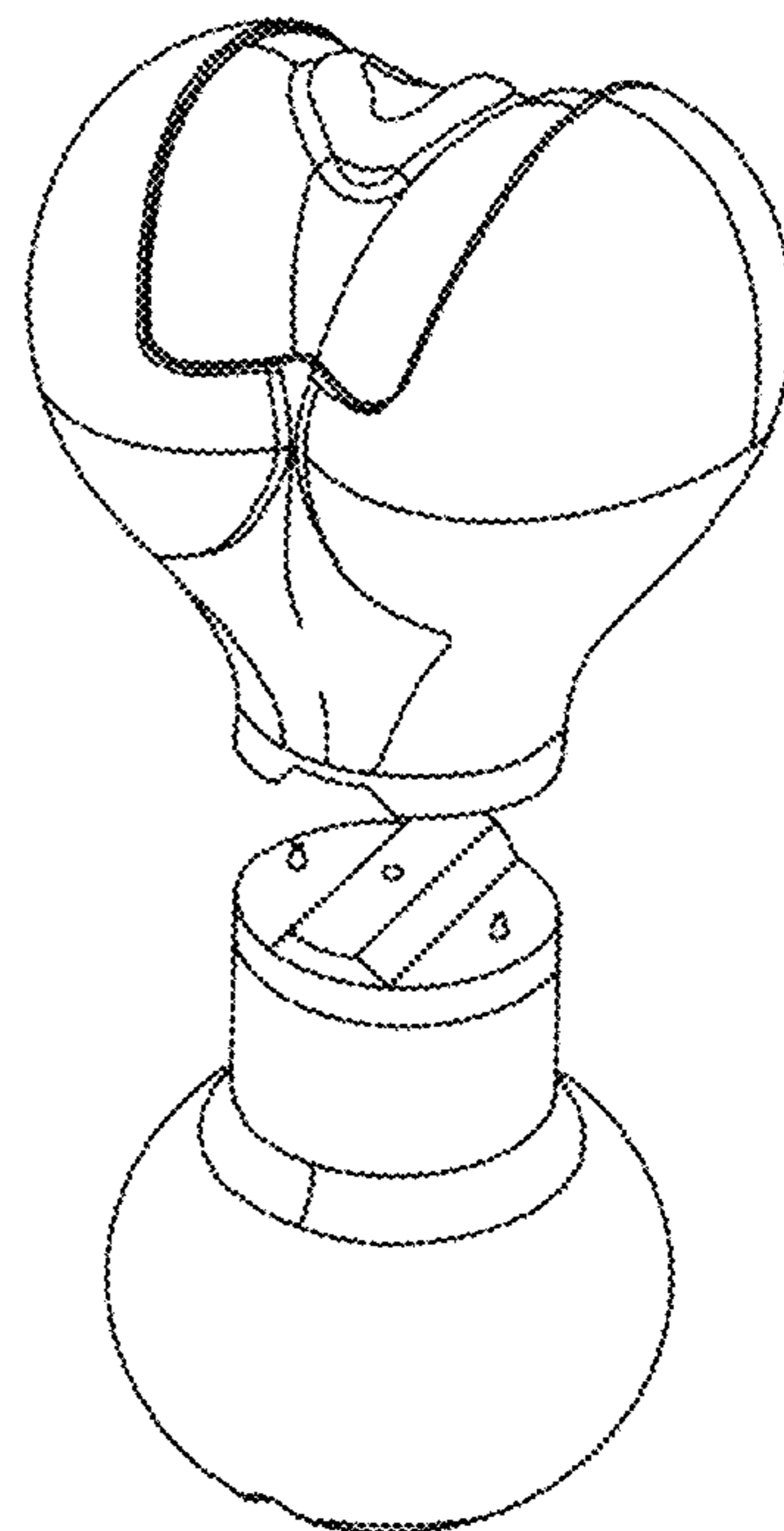


FIG. 4

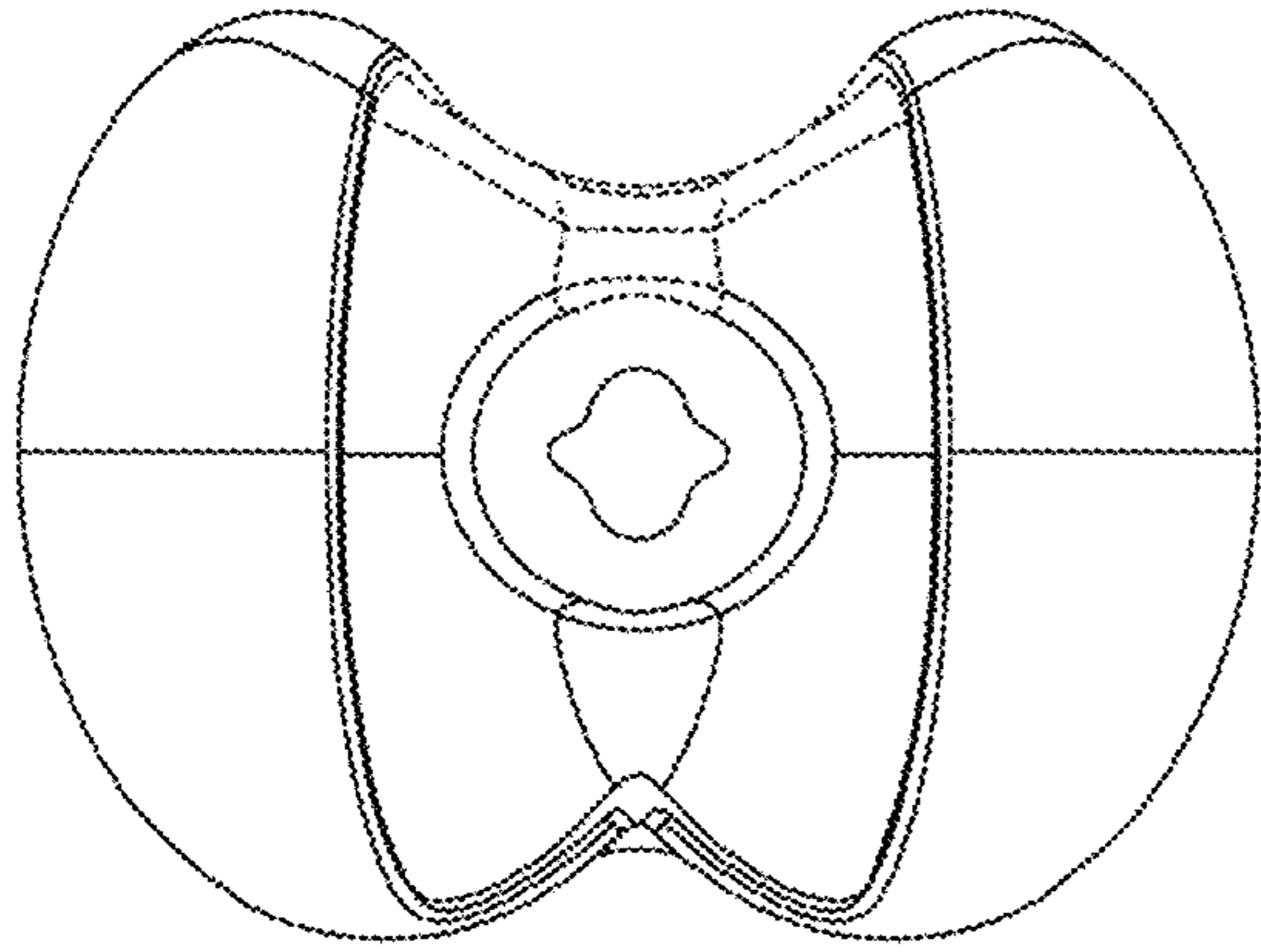


FIG. 5

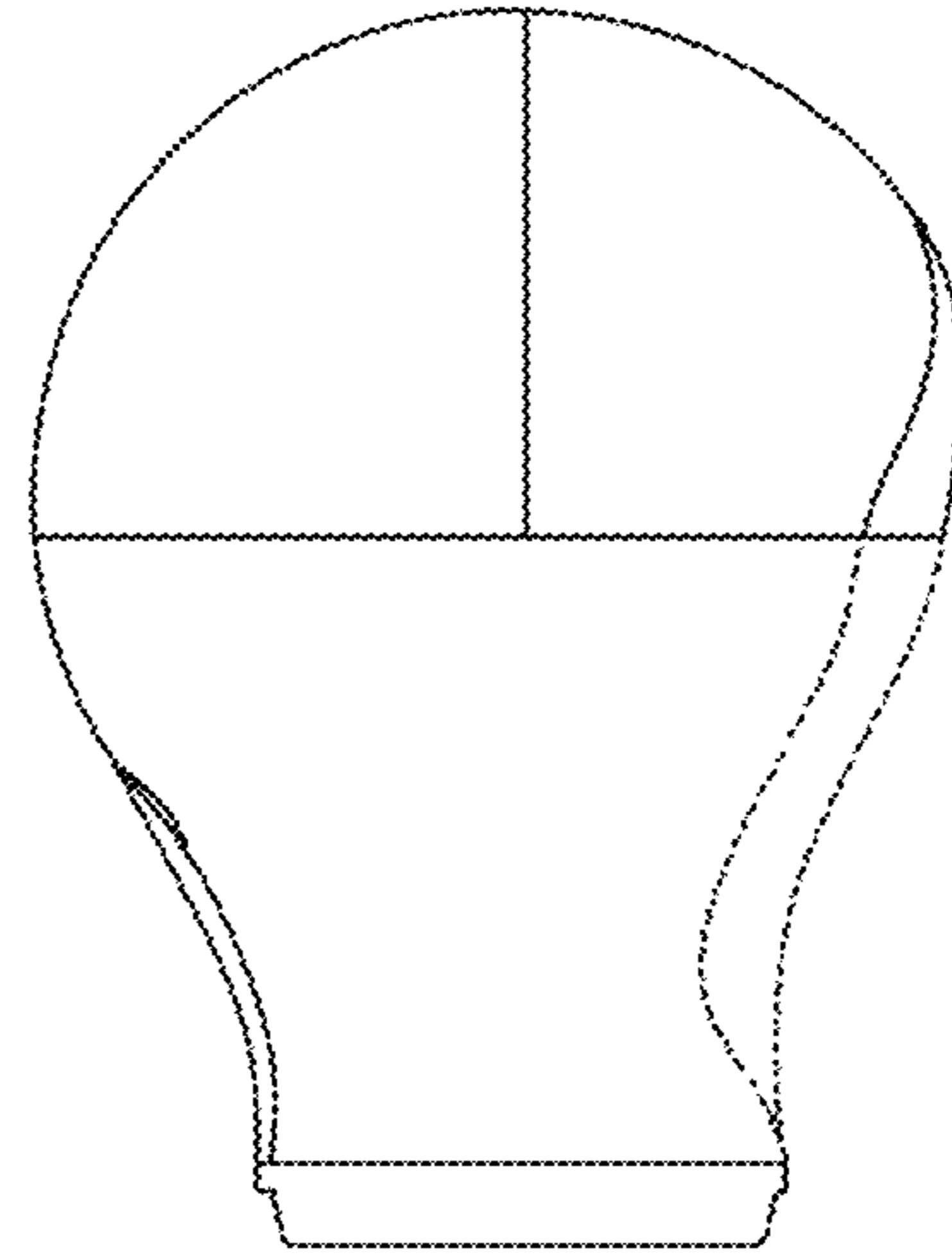


FIG. 6

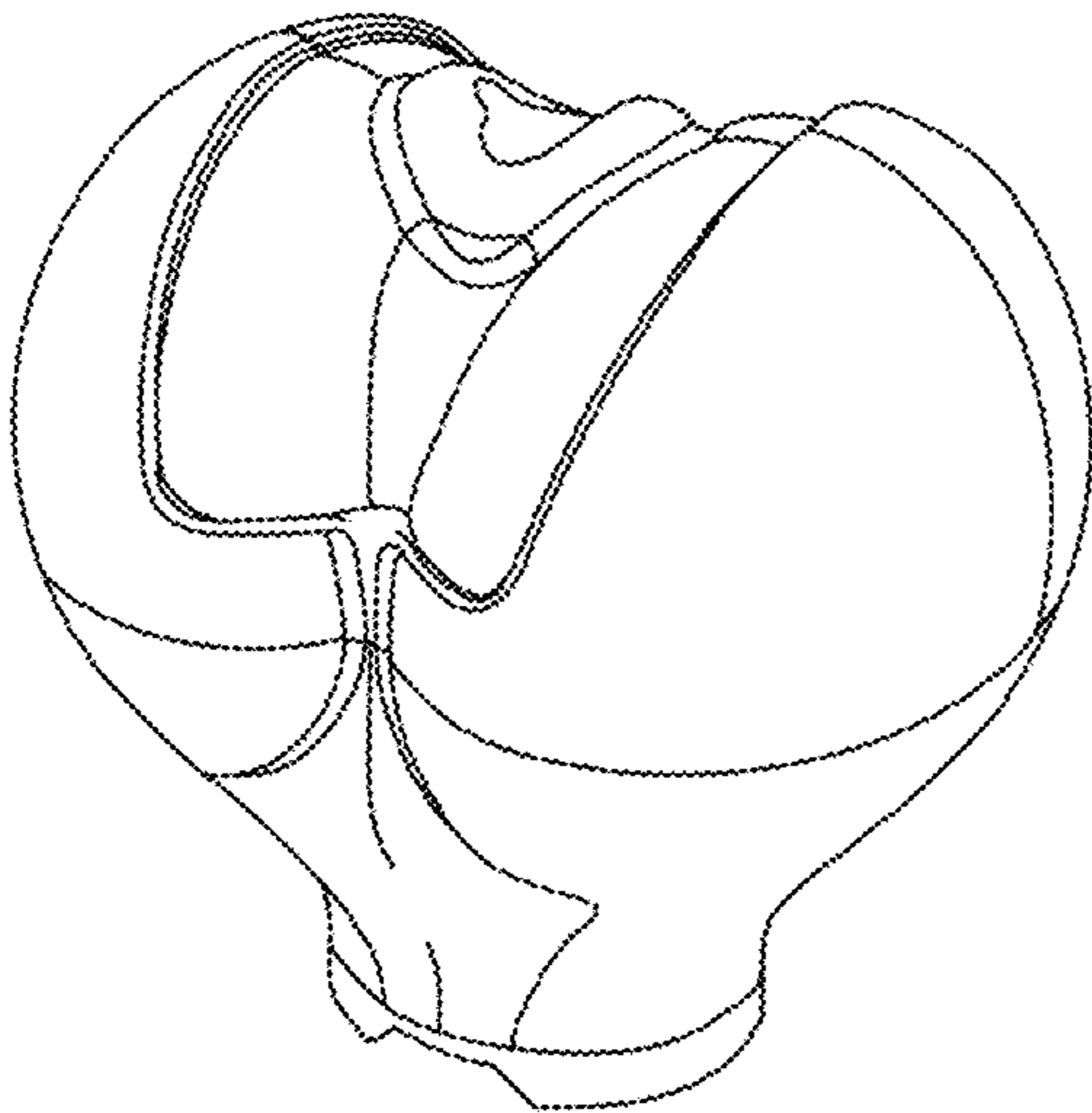


FIG. 7

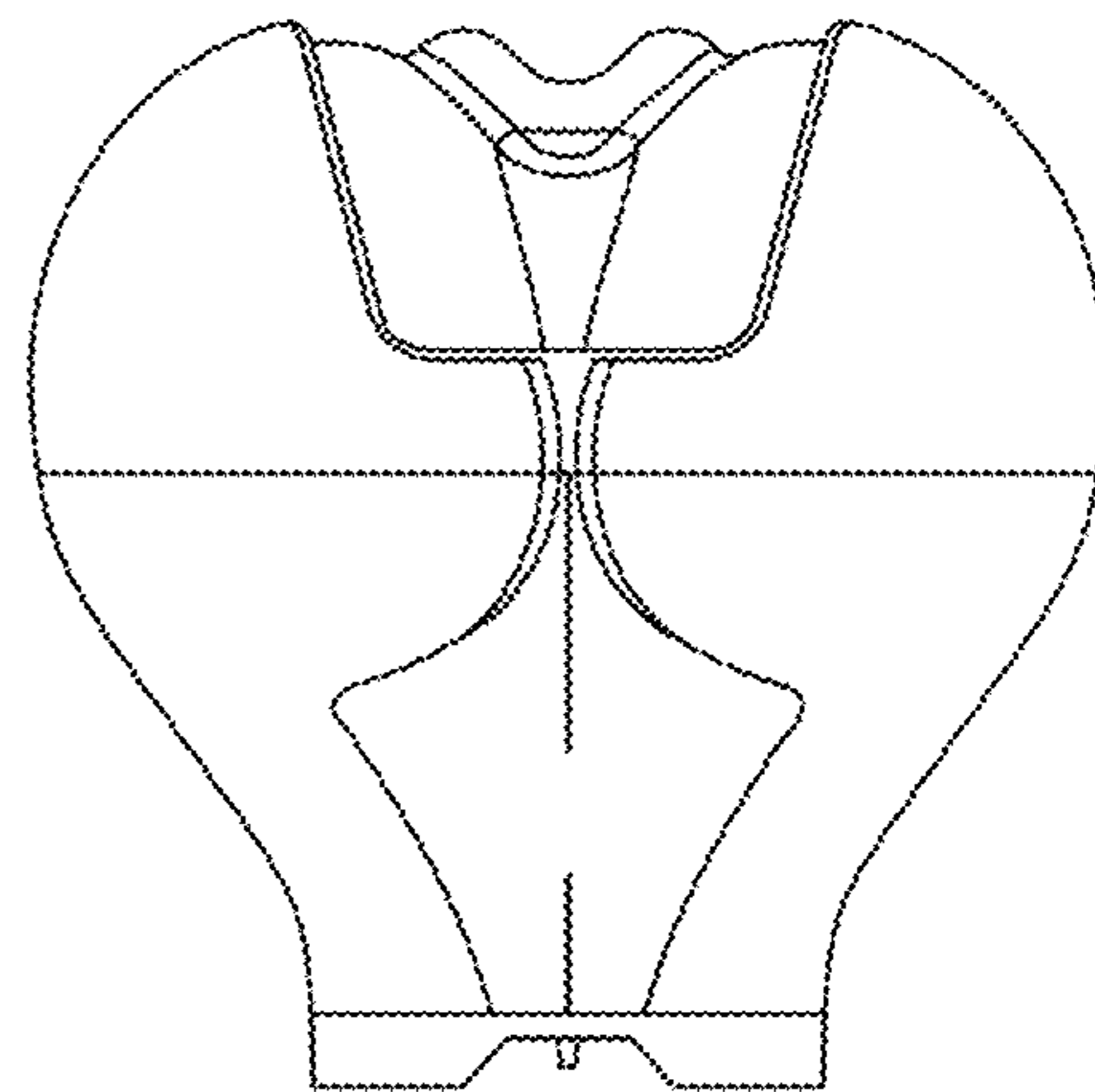


FIG. 8

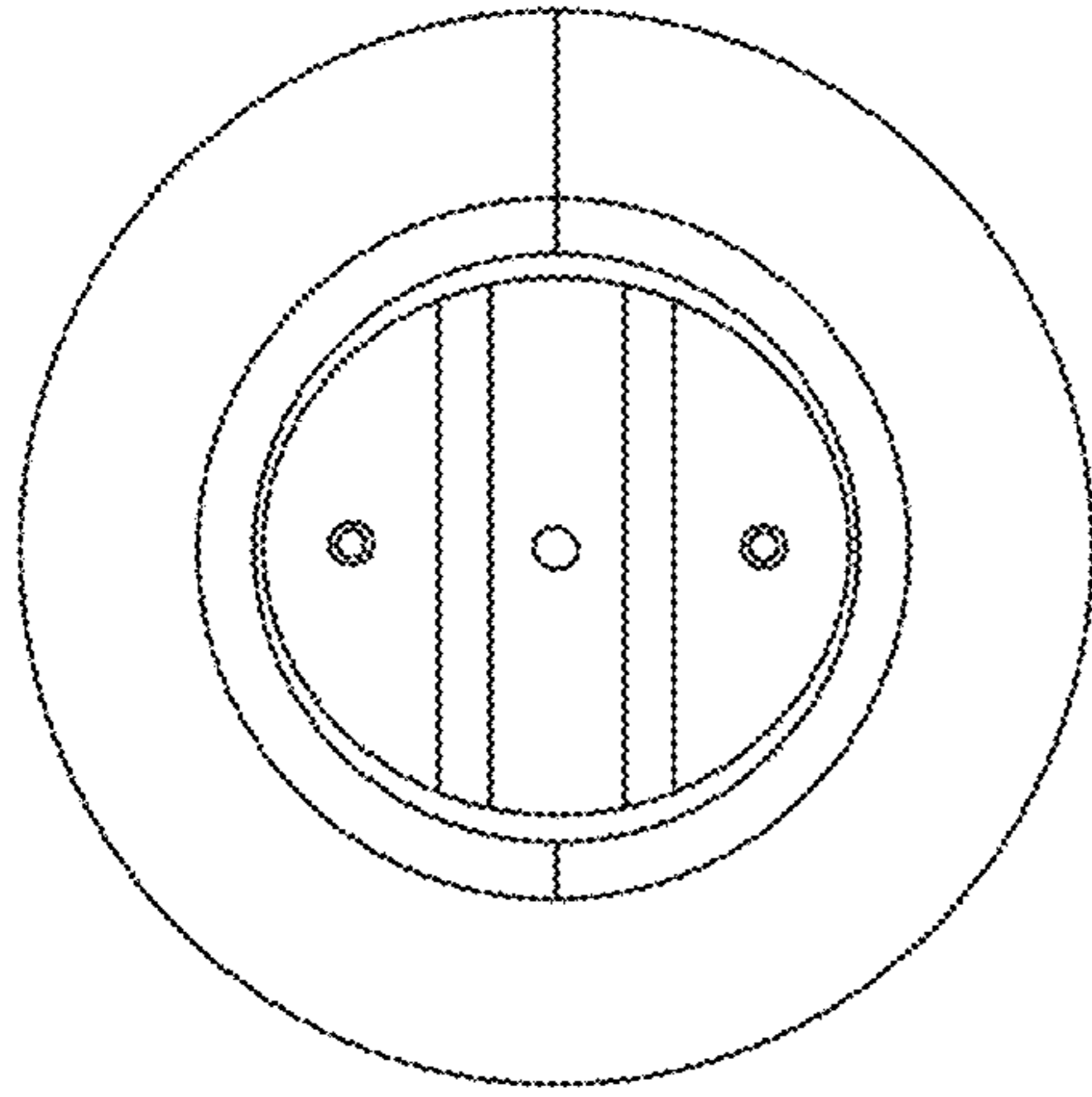


FIG. 9

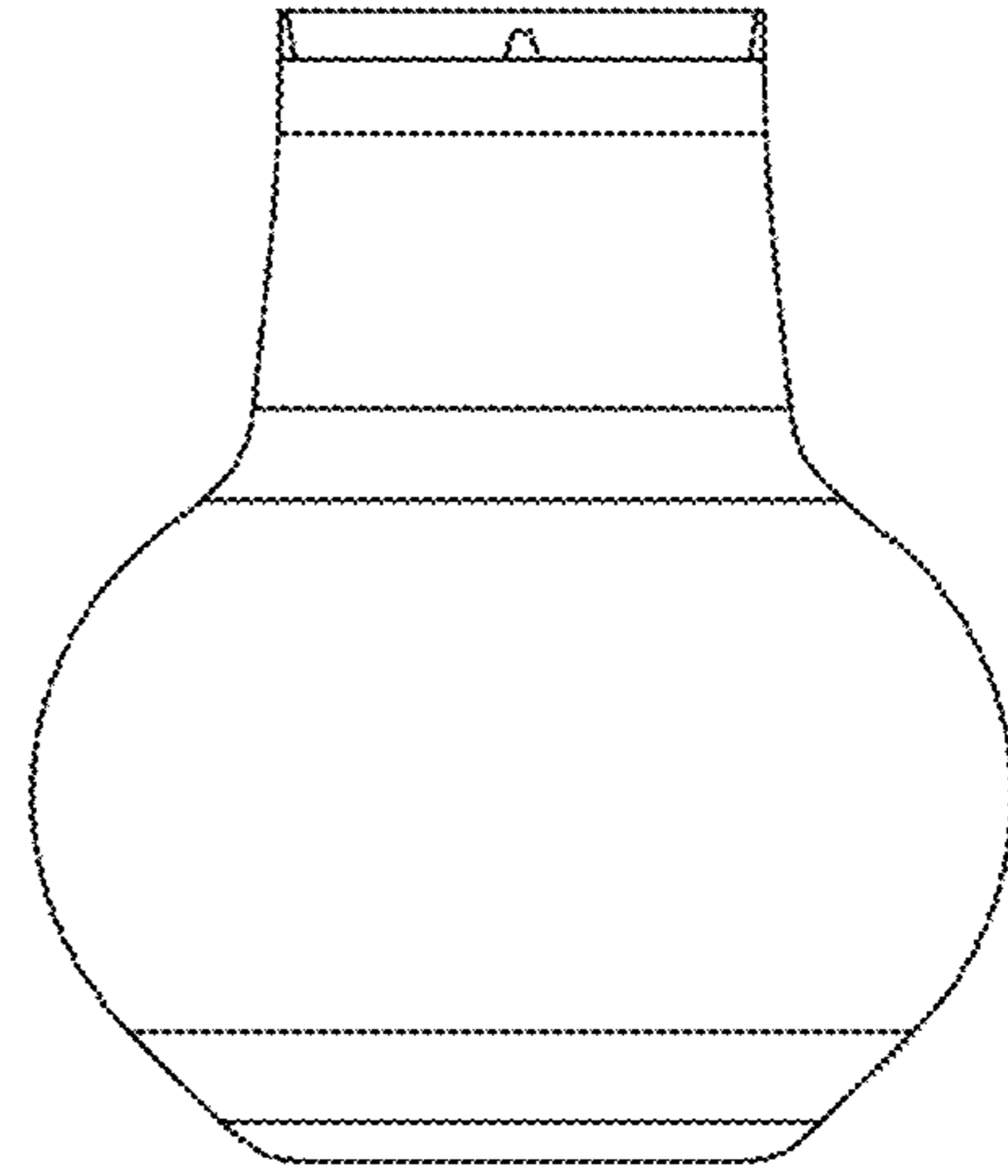


FIG. 10

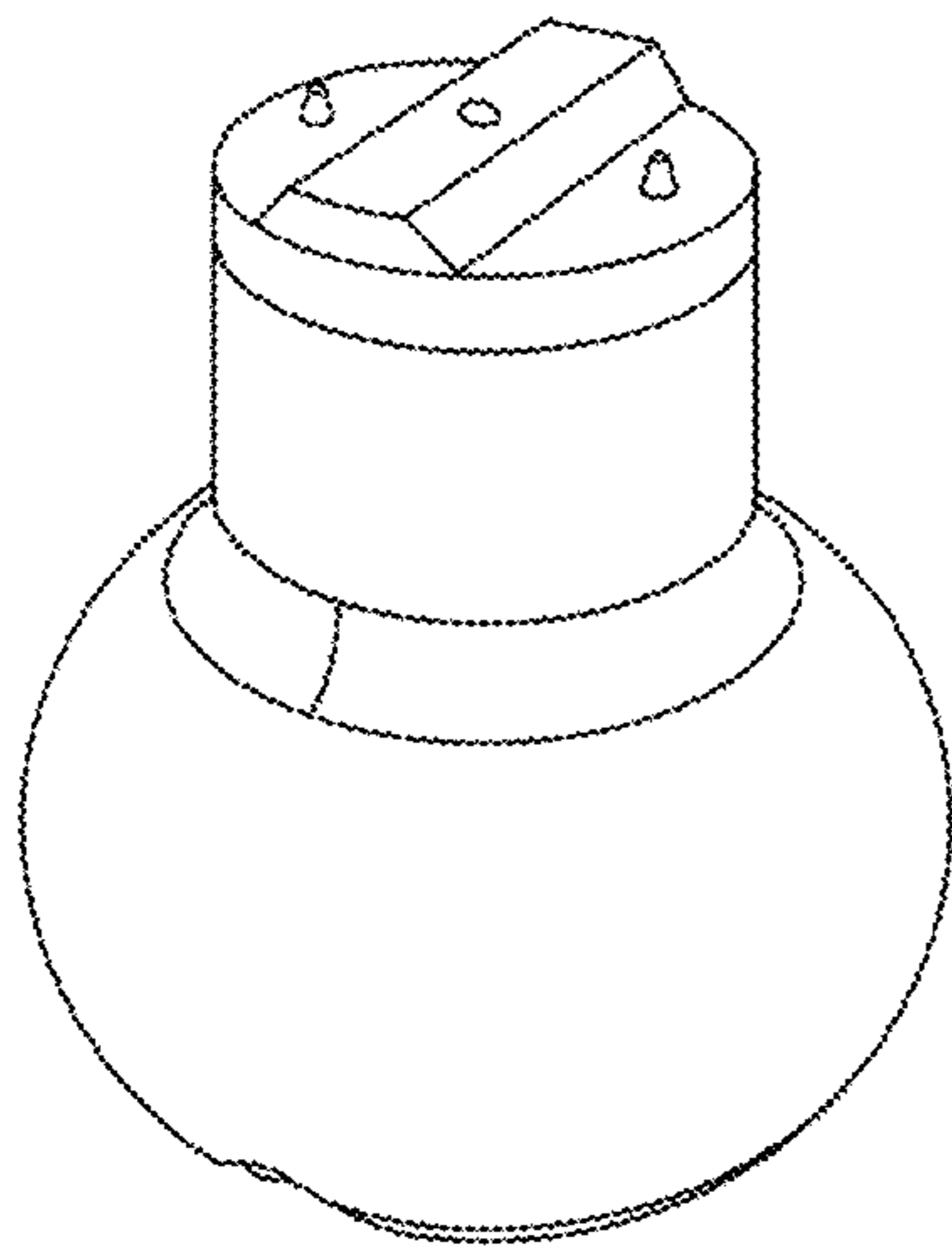


FIG. 11

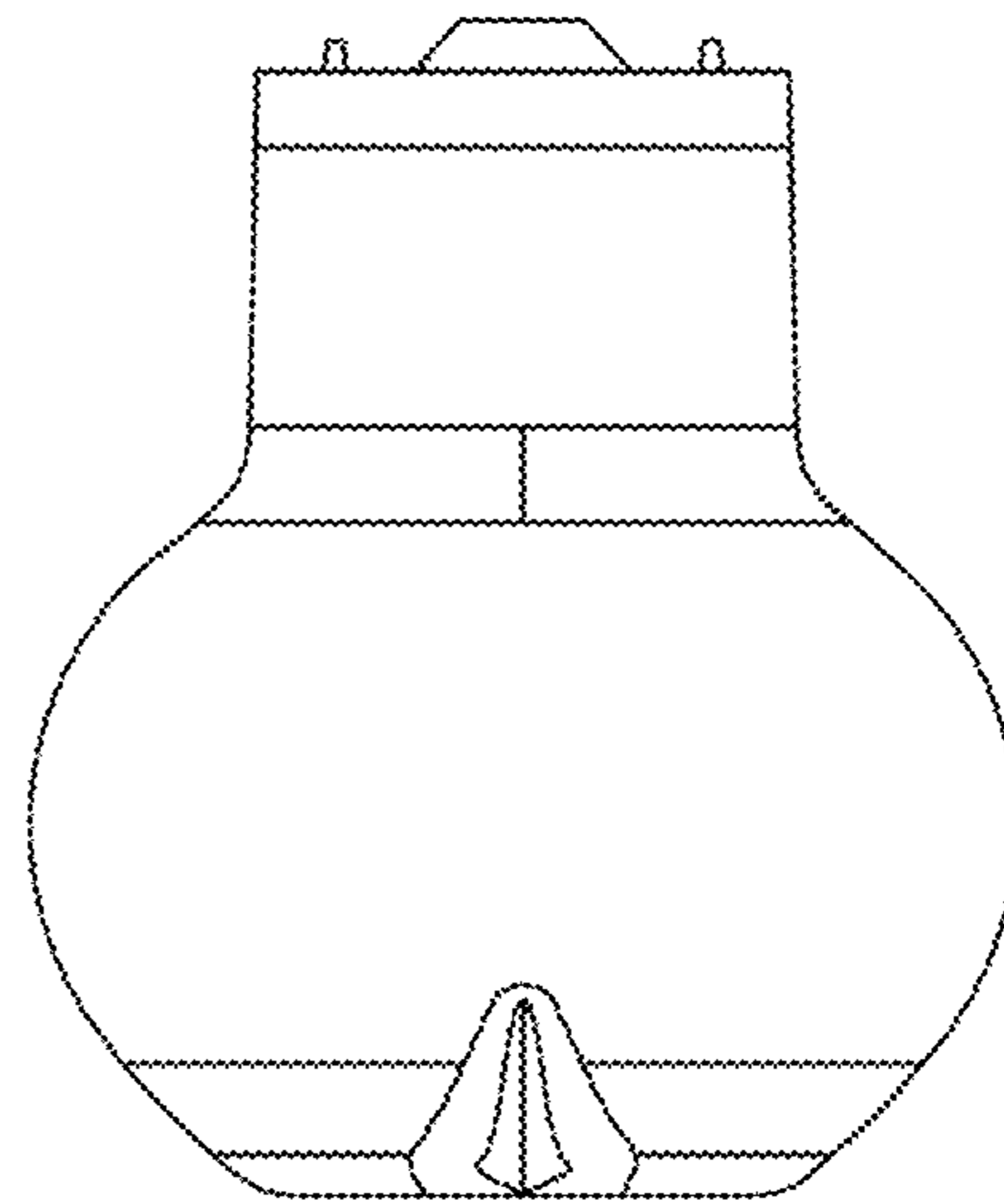


FIG. 12

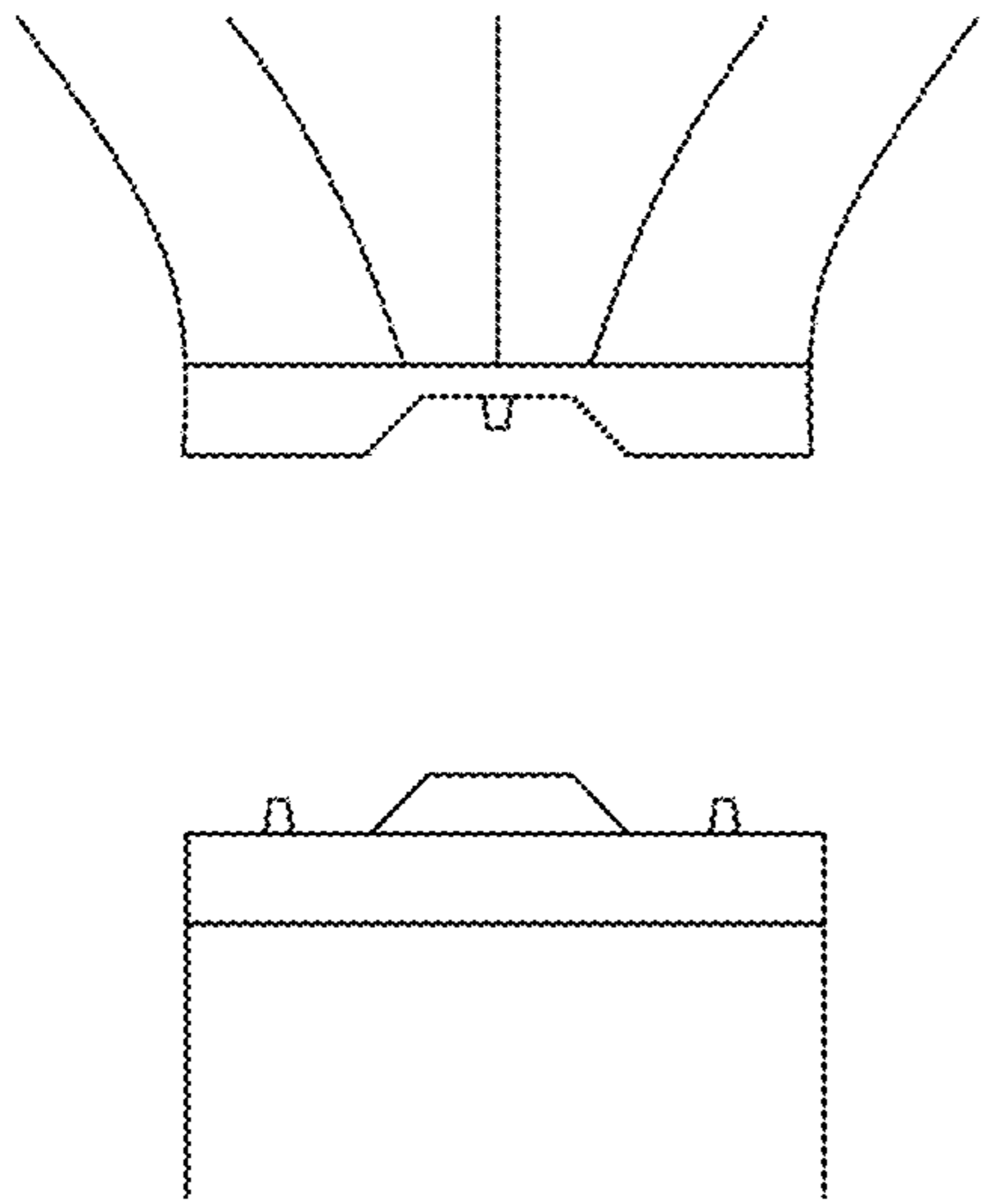


FIG. 13

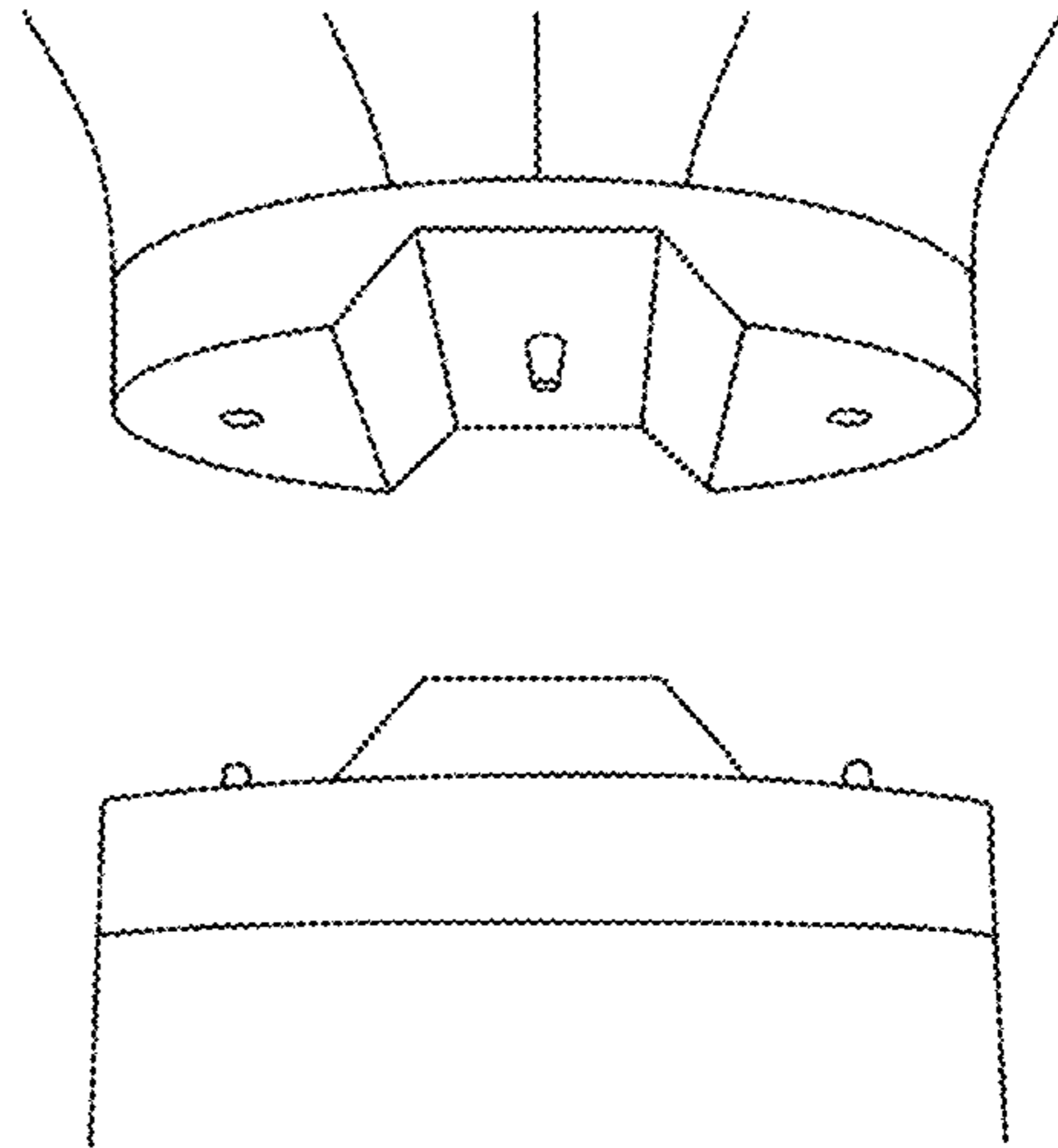


FIG. 14