



US00D907508S

(12) **United States Design Patent** (10) **Patent No.:** **US D907,508 S**
Mandell et al. (45) **Date of Patent:** **** Jan. 12, 2021**

(54) **BOTTLE**
(71) Applicant: **S. C. Johnson & Son, Inc.**, Racine, WI (US)
(72) Inventors: **Jonathan N. Mandell**, Gurnee, IL (US); **Donald J. Schumacher**, Milwaukee, WI (US); **Scott D. Walter**, Twin Lakes, WI (US); **Sabrina Adami**, Hard (AT)

D503,341 S 3/2005 Delmotte
D504,069 S 4/2005 Gross et al.
D505,864 S 6/2005 Snyder
D506,139 S 6/2005 Zboch et al.
D506,923 S 7/2005 Zboch et al.
D506,931 S 7/2005 Delmotte
D509,145 S 9/2005 Dorn et al.
D510,025 S 9/2005 Venkataraman et al.

(Continued)

FOREIGN PATENT DOCUMENTS

(73) Assignee: **S. C. Johnson & Son, Inc.**, Racine, WI (US)

CN 303925483 11/2016
CN 305091126 4/2019

(Continued)

(**) Term: **15 Years**

OTHER PUBLICATIONS

(21) Appl. No.: **29/695,132**

Jul. 28, 2020—RU Office Action—App. 2019505696/49.

(22) Filed: **Jun. 17, 2019**

(51) **LOC (13) Cl.** **09-01**

Primary Examiner — Shannon W Morgan

(52) **U.S. Cl.**

Assistant Examiner — Keith Frank

USPC **D9/552**; D9/557; D9/575

(58) **Field of Classification Search**

(57) **CLAIM**

USPC D9/516, 519, 520, 530, 537, 538, 539, D9/540, 545, 549, 550, 552, 556, 557, D9/558, 574, 575, 715, 719; D7/300, D7/300.1, 509, 523, 525, 528, 529, 532, D7/619.1

The ornamental design for a bottle, as shown and described.

CPC B65D 1/0223; B65D 2501/0036; B65D 1/023; B65D 1/40; B65D 23/102

DESCRIPTION

See application file for complete search history.

FIG. 1 is a top, front, right perspective view of a bottle showing our new design;
FIG. 2 is a bottom, front, right perspective view thereof;
FIG. 3 is a right side view thereof;
FIG. 4 is a left side view thereof;
FIG. 5 is a front view thereof;
FIG. 6 is a rear view thereof;
FIG. 7 is a top view thereof; and,
FIG. 8 is a bottom view thereof.

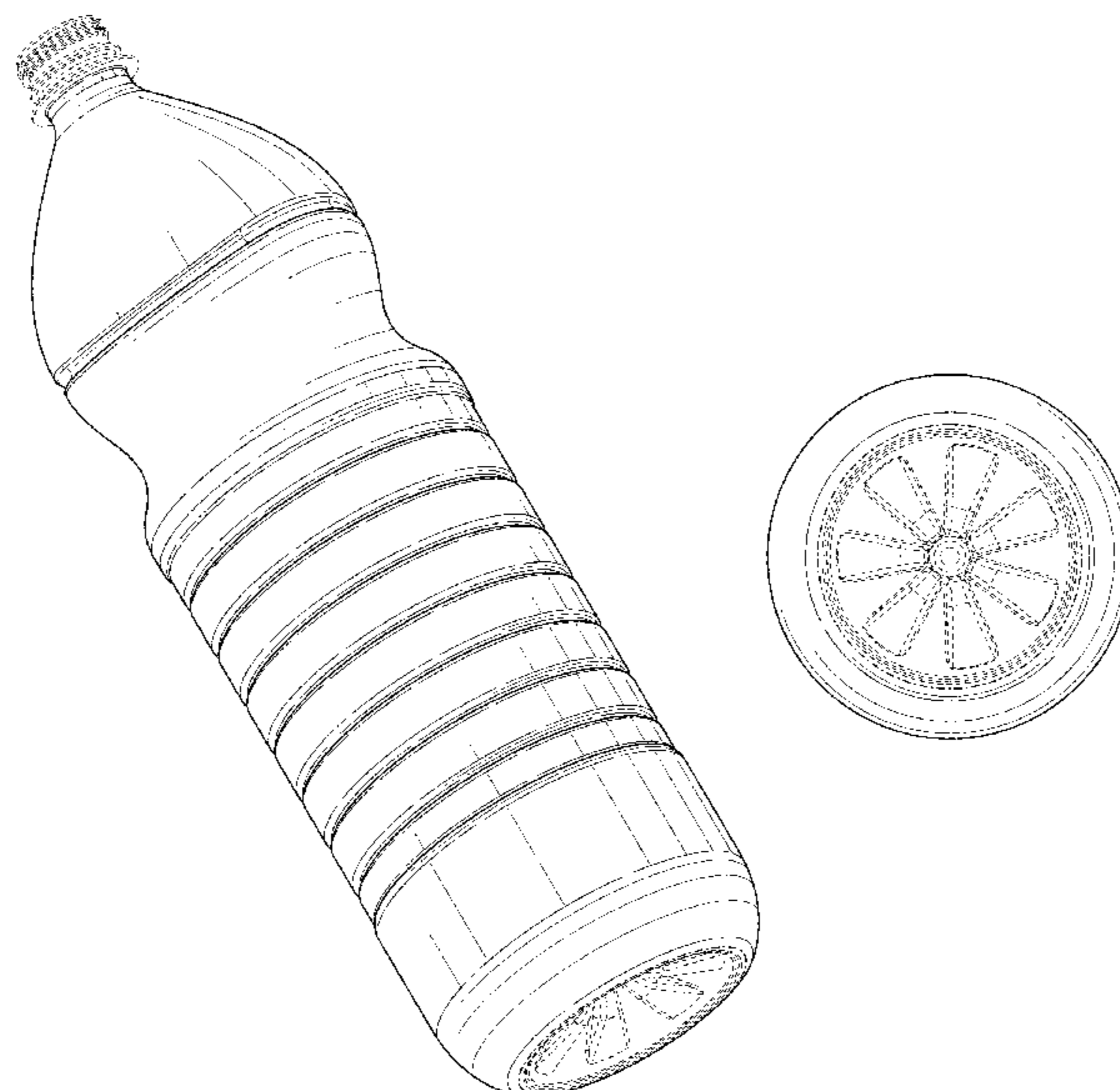
The dash-dot-dash broken lines adjacent the shaded area define the bonds of the claim and form no part thereof. The evenly spaced broken lines showing the bottle illustrate the portions of the bottle that form no part of the claimed design.

(56) **References Cited**

U.S. PATENT DOCUMENTS

D401,860 S 12/1998 Mentasti Granelli
6,497,333 B1 12/2002 Ellis et al.
D494,473 S 8/2004 Yourist
D494,854 S 8/2004 Matauch
D497,549 S 10/2004 Maskell et al.
D501,404 S 2/2005 Dalton et al.
6,857,531 B2 2/2005 Slat et al.

1 Claim, 5 Drawing Sheets



(56)

References Cited

U.S. PATENT DOCUMENTS

6,983,858 B2 1/2006 Slat et al.
 D514,947 S 2/2006 Darr et al.
 D515,933 S 2/2006 Mero et al.
 D517,918 S 3/2006 Colloud et al.
 7,032,770 B2 4/2006 Finlay et al.
 D521,868 S 5/2006 Arima
 D522,869 S 6/2006 Leshyk
 D526,198 S 8/2006 Sasaki et al.
 D526,906 S 8/2006 Yorn et al.
 D528,421 S 9/2006 Sasaki et al.
 D529,816 S 10/2006 Yorn et al.
 D538,661 S 3/2007 Wolf et al.
 D540,692 S 4/2007 Yorn et al.
 7,213,719 B2 5/2007 Pedmo et al.
 7,243,808 B2 7/2007 Livingston et al.
 D548,106 S 8/2007 Martinez et al.
 D556,048 S 11/2007 Lepoitevin
 D556,592 S 12/2007 Gage et al.
 D564,359 S 3/2008 Trollope et al.
 D564,896 S 3/2008 Trollope et al.
 D566,572 S 4/2008 Darr et al.
 D567,092 S 4/2008 Venkataraman et al.
 7,364,045 B2 4/2008 Dygert et al.
 D568,166 S 5/2008 Dellevigne
 D570,224 S 6/2008 Dellevigne
 D570,702 S * 6/2008 Adamson D9/556
 D572,139 S 7/2008 Trollope et al.
 D573,029 S 7/2008 Venkataraman et al.
 D576,886 S 9/2008 Venkataraman et al.
 D576,887 S 9/2008 Bourne
 D579,780 S 11/2008 Lepoitevin
 D582,781 S 12/2008 Miller
 D584,627 S 1/2009 Lepoitevin
 D585,293 S 1/2009 Honkawa
 D587,120 S 2/2009 Meillerais
 D603,268 S * 11/2009 Bourne D9/520
 D603,709 S 11/2009 Lepoitevin
 D603,711 S * 11/2009 Lepoitevin D9/538
 D604,169 S * 11/2009 Melossi D9/538
 D604,176 S 11/2009 Toeffler et al.
 D605,046 S * 12/2009 Lablaine D9/516
 D608,209 S 1/2010 Lepoitevin
 D609,108 S 2/2010 George et al.
 D611,828 S 3/2010 Lepoitevin
 D612,255 S 3/2010 Shah
 D621,264 S 8/2010 Williams
 D621,271 S 8/2010 Soni
 D621,276 S 8/2010 Bourne
 D621,711 S 8/2010 Williams
 D623,950 S 9/2010 Eugui et al.
 D626,379 S 11/2010 Furlong et al.
 D628,435 S 12/2010 Furlong et al.
 D635,461 S 4/2011 Inoi et al.
 D637,493 S 5/2011 Furlong et al.
 D642,922 S 8/2011 Kuzma et al.
 D645,357 S 9/2011 Dumas
 D646,980 S 10/2011 Inoi
 D648,633 S 11/2011 Boukobza
 8,091,720 B2 1/2012 Colloud
 D653,957 S 2/2012 Yourist et al.
 D655,180 S 3/2012 Kraft et al.
 D655,181 S 3/2012 Kraft et al.
 D657,683 S 4/2012 Oommen et al.
 D658,065 S 4/2012 Oommen et al.
 D664,437 S 7/2012 Barel
 D666,497 S 9/2012 Lepoitevin
 D668,157 S 10/2012 Colloud
 D682,700 S 5/2013 White et al.
 D698,656 S 2/2014 Fleischhacker et al.
 D699,114 S 2/2014 Fleischhacker et al.
 D699,580 S 2/2014 Eaton et al.
 8,739,995 B2 6/2014 Sasaki et al.
 D709,377 S 7/2014 Kondo
 D712,270 S 9/2014 Maquita Nakano et al.
 8,905,253 B2 12/2014 Mooney

D728,374 S 5/2015 Doerr et al.
 D730,237 S 5/2015 Kopenc
 D736,638 S * 8/2015 Boon D9/538
 D739,758 S * 9/2015 Kissinger D9/552
 D740,124 S 10/2015 Janssen et al.
 D740,130 S 10/2015 Martin et al.
 D741,194 S 10/2015 Martin et al.
 D741,714 S 10/2015 Llewellyn et al.
 D741,718 S 10/2015 Hanan et al.
 D742,175 S * 11/2015 Rashid D7/510
 D744,348 S 12/2015 Beauchamp et al.
 D748,984 S 2/2016 Andersson
 D749,423 S 2/2016 Daniel et al.
 D750,495 S 3/2016 Llewellyn et al.
 D752,444 S 3/2016 Schlies et al.
 D752,445 S 3/2016 Jasso Gomez
 D752,446 S 3/2016 Jasso Gomez
 D753,504 S 4/2016 Miller et al.
 D753,506 S 4/2016 Veletakos
 D755,049 S 5/2016 Clark et al.
 D756,233 S 5/2016 Romero Salido
 D759,493 S 6/2016 Evers et al.
 D759,494 S 6/2016 Hanan et al.
 D761,660 S 7/2016 Giles
 D762,121 S 7/2016 Druart
 D762,124 S 7/2016 Giles
 D762,482 S 8/2016 Giles
 D763,090 S 8/2016 Zeng et al.
 D763,091 S 8/2016 Zeng et al.
 D764,297 S 8/2016 Impedovo et al.
 9,403,625 B2 8/2016 Lembke et al.
 D767,404 S 9/2016 Eaton et al.
 D767,993 S 10/2016 Joshi et al.
 D773,310 S 12/2016 Zeng et al.
 D779,953 S 2/2017 Ring et al.
 D781,152 S * 3/2017 Zhao D9/516
 D787,945 S * 5/2017 Rashid D9/539
 D789,202 S 6/2017 Kissinger et al.
 D789,207 S 6/2017 Peacock
 D789,795 S 6/2017 Boon
 D790,974 S * 7/2017 Hanan D9/538
 D793,237 S 8/2017 Vitale Rotta
 D795,077 S 8/2017 Peacock
 D804,318 S 12/2017 Perez et al.
 D814,934 S * 4/2018 Jasso Gomez D9/537
 D865,528 S * 11/2019 Barnier D9/516
 D871,222 S * 12/2019 Dabrowski D9/537
 D872,581 S * 1/2020 Dabrowski D9/537
 2005/0218108 A1 * 10/2005 Bangi B65D 79/005
 215/384
 2013/0213925 A1 8/2013 Forsthovel et al.
 2013/0213980 A1 8/2013 Pedmo et al.
 2015/0129536 A1 5/2015 Moulin et al.
 2016/0009015 A1 1/2016 Bouffand et al.

FOREIGN PATENT DOCUMENTS

DE 1586928 A1 9/1970
 EM 0000625750001 12/2003
 EM 0001371460001 5/2004
 EM 0002239530001 11/2004
 EM 0004069880002 11/2005
 EM 0005081220001 6/2006
 EM 0006129160001 11/2006
 EM 0008412670001 1/2008
 EM 0010533910001 1/2009
 EM 0015682540001 7/2009
 EM 0015682540002 7/2009
 EM 0011569880001 9/2009
 EM 0016037700003 9/2009
 EM 0016050150001 10/2009
 EM 0016281160001 11/2009
 EM 0011705340003 1/2010
 EM 0016659850001 2/2010
 EM 0016690110001 3/2010
 EM 0012060560002 4/2010
 EM 0012165680021 6/2010
 EM 0016823600001 6/2010
 EM 0017326780001 7/2010

(56)

References Cited

FOREIGN PATENT DOCUMENTS

EM 0017326780002 7/2010
 EM 0017326780003 7/2010
 EM 0017828140001 11/2010
 EM 0019340190001 10/2011
 EM 001266696-0001 11/2011
 EM 0019638690001 1/2012
 EM 0020052310001 3/2012
 EM 0020778910002 7/2012
 EM 0020907040001 8/2012
 EM 0021571720001 1/2013
 EM 0021651670001 1/2013
 EM 0021733510001 3/2013
 EM 0022793150003 8/2013
 EM 0022793150004 8/2013
 EM 0013860800001 10/2013
 EM 0024452960001 4/2014
 EM 0025587750001 10/2014
 EM 0026038290003 12/2014
 EM 0020707710001 1/2015
 EM 0020820320001 2/2015
 EM 0026467600001 3/2015
 EM 0026468850001 3/2015
 EM 0026676180001 4/2015

EM 0026903700002 4/2015
 EM 0026811970002 6/2015
 EM 0027119030001 6/2015
 EM 0027119030002 6/2015
 EM 0027119030003 6/2015
 EM 0027119030004 6/2015
 EM 0027119030007 6/2015
 EM 0022803210002 8/2015
 EM 0027442190003 8/2015
 EM 0028199950001 10/2015
 EM 0037718980001 3/2017
 EP 2084071 B1 1/2011
 EP 2163483 B1 1/2013
 ES D0525864 8/2017
 ES D0529858-0003 5/2019
 KE D938 8/2017
 KR 3009569620000 5/2018
 RU 66667 2/2007
 RU 96723 1/2015
 RU 112977 2/2018
 UA 9698 12/2004
 UA 30949_1 12/2015
 UA 30949_2 12/2015
 UA 30950 12/2015
 WO 000576186 8/2006

* cited by examiner

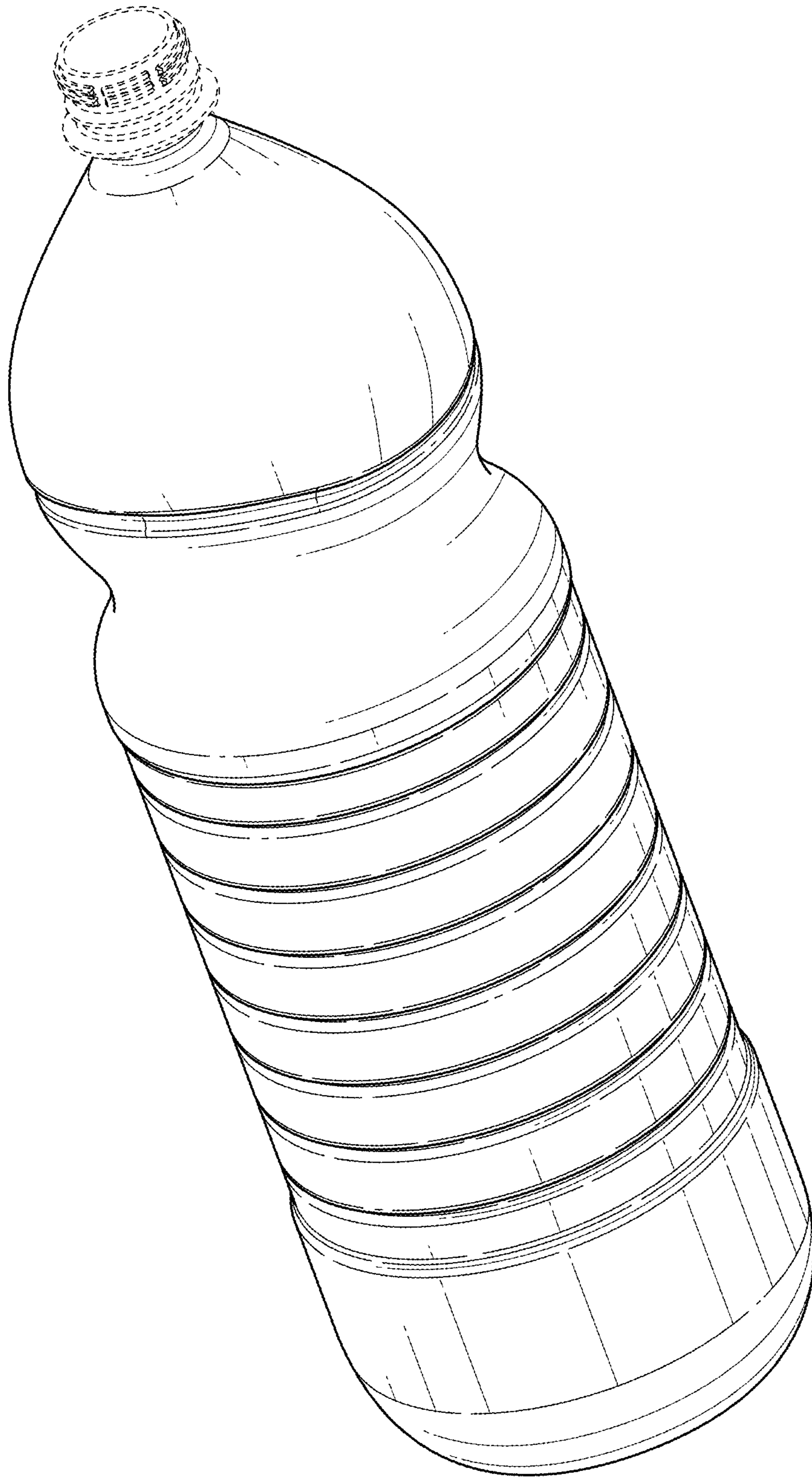


FIG. 1

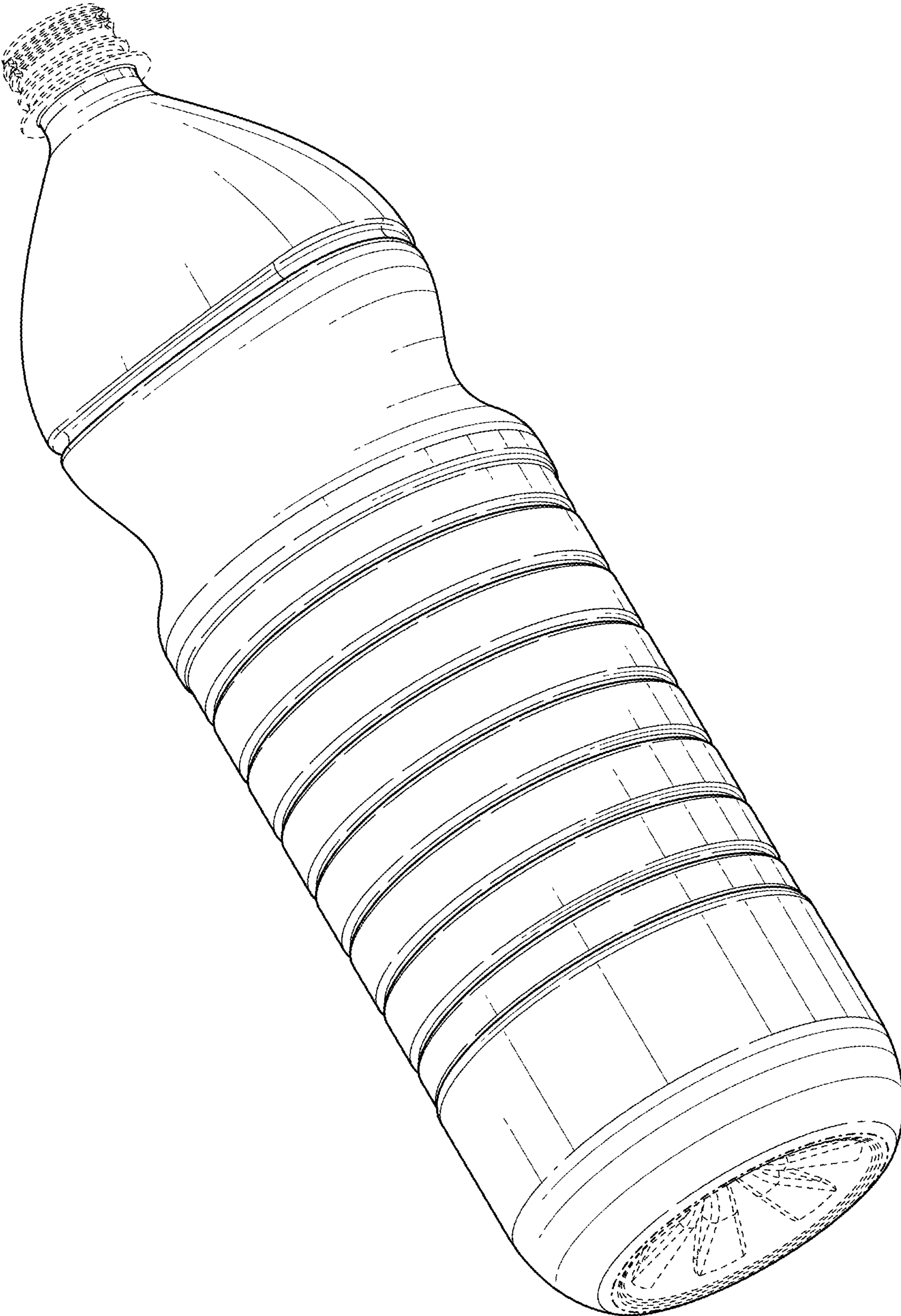


FIG. 2

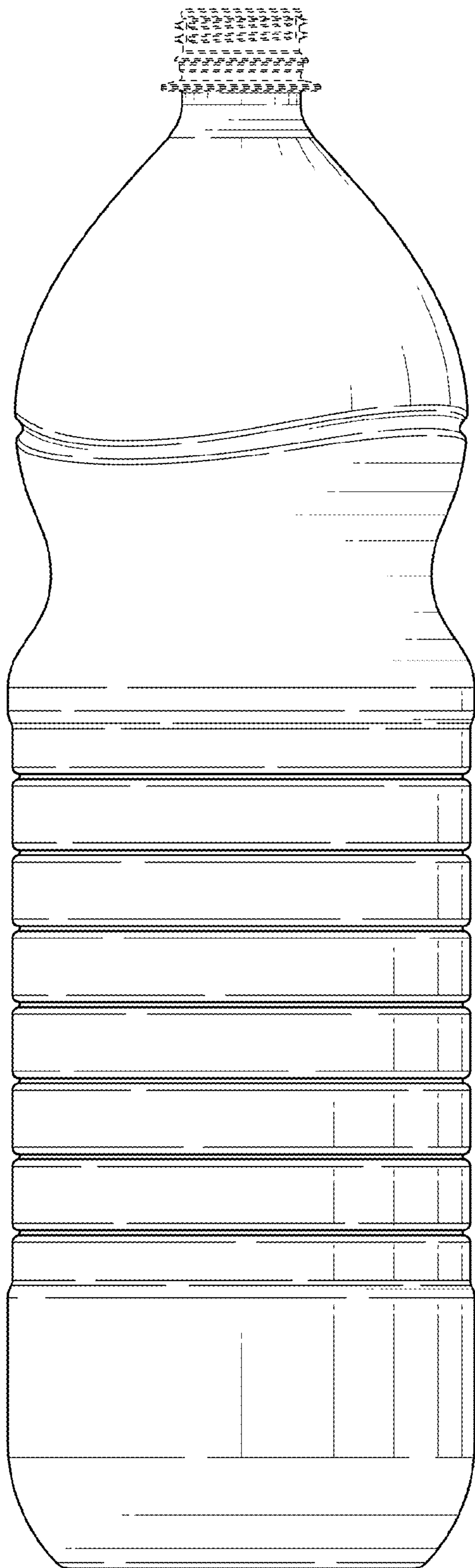


FIG. 3

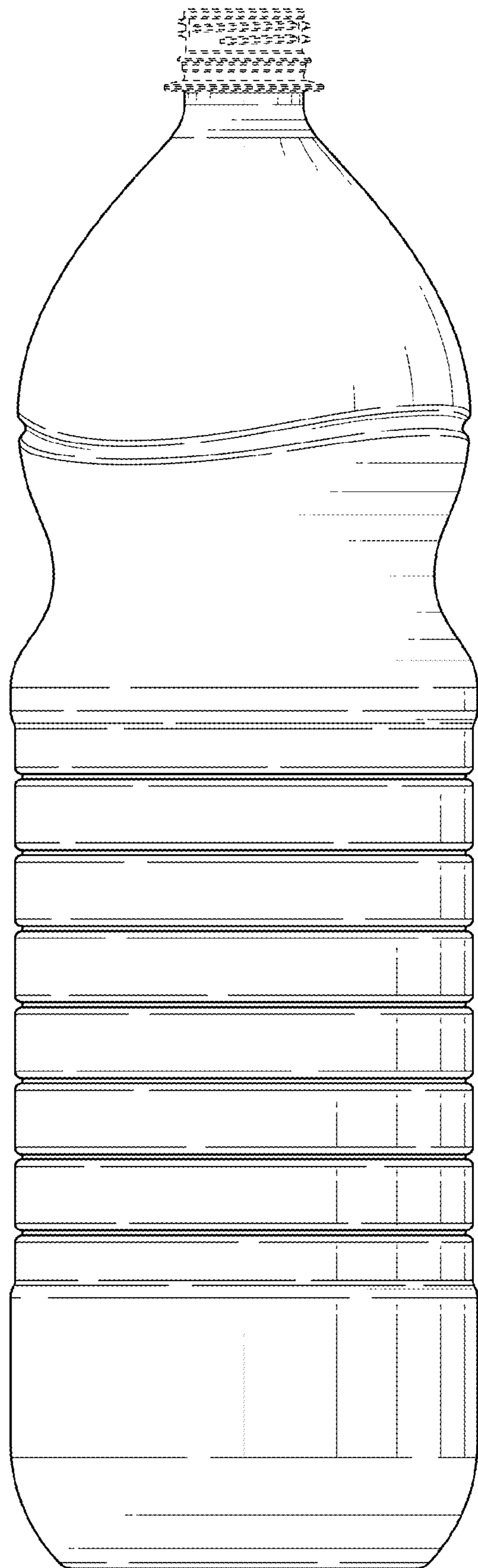


FIG. 4

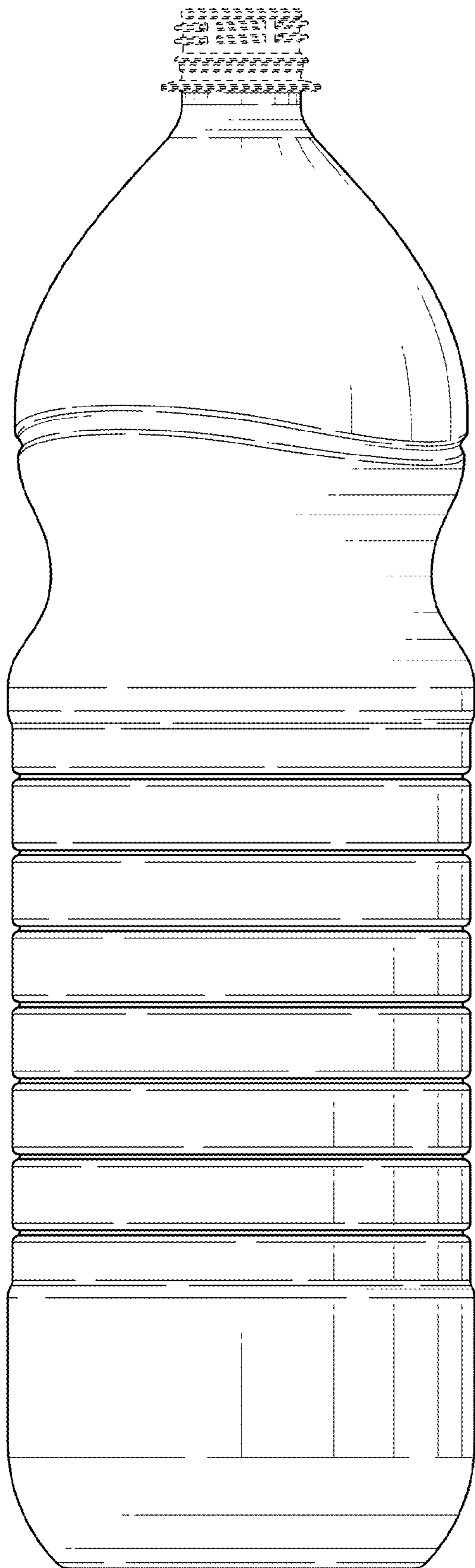


FIG. 5

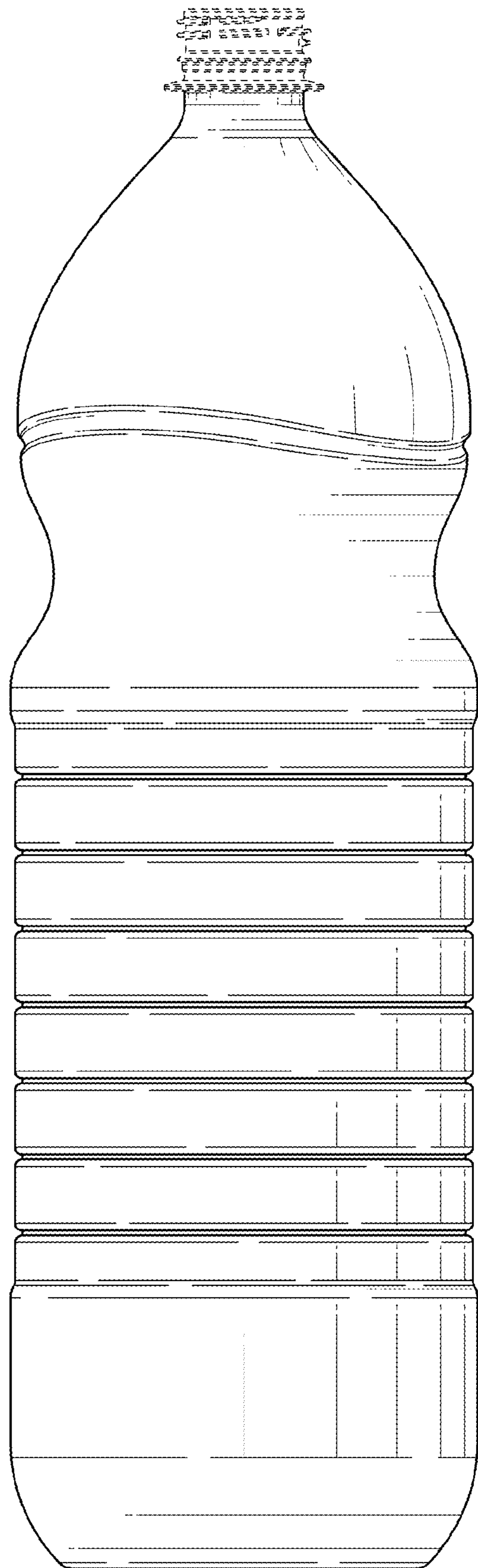


FIG. 6

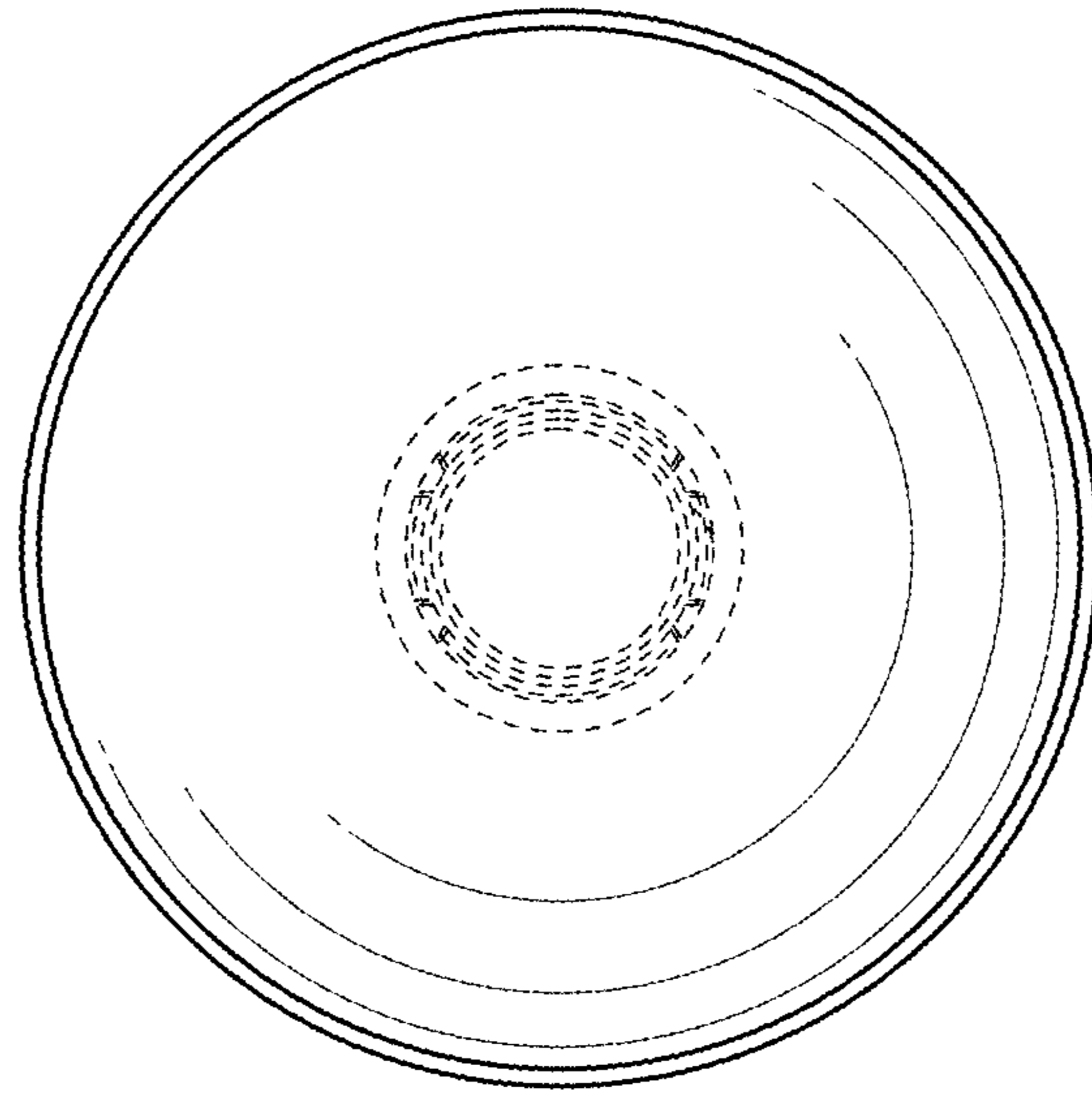


FIG. 7

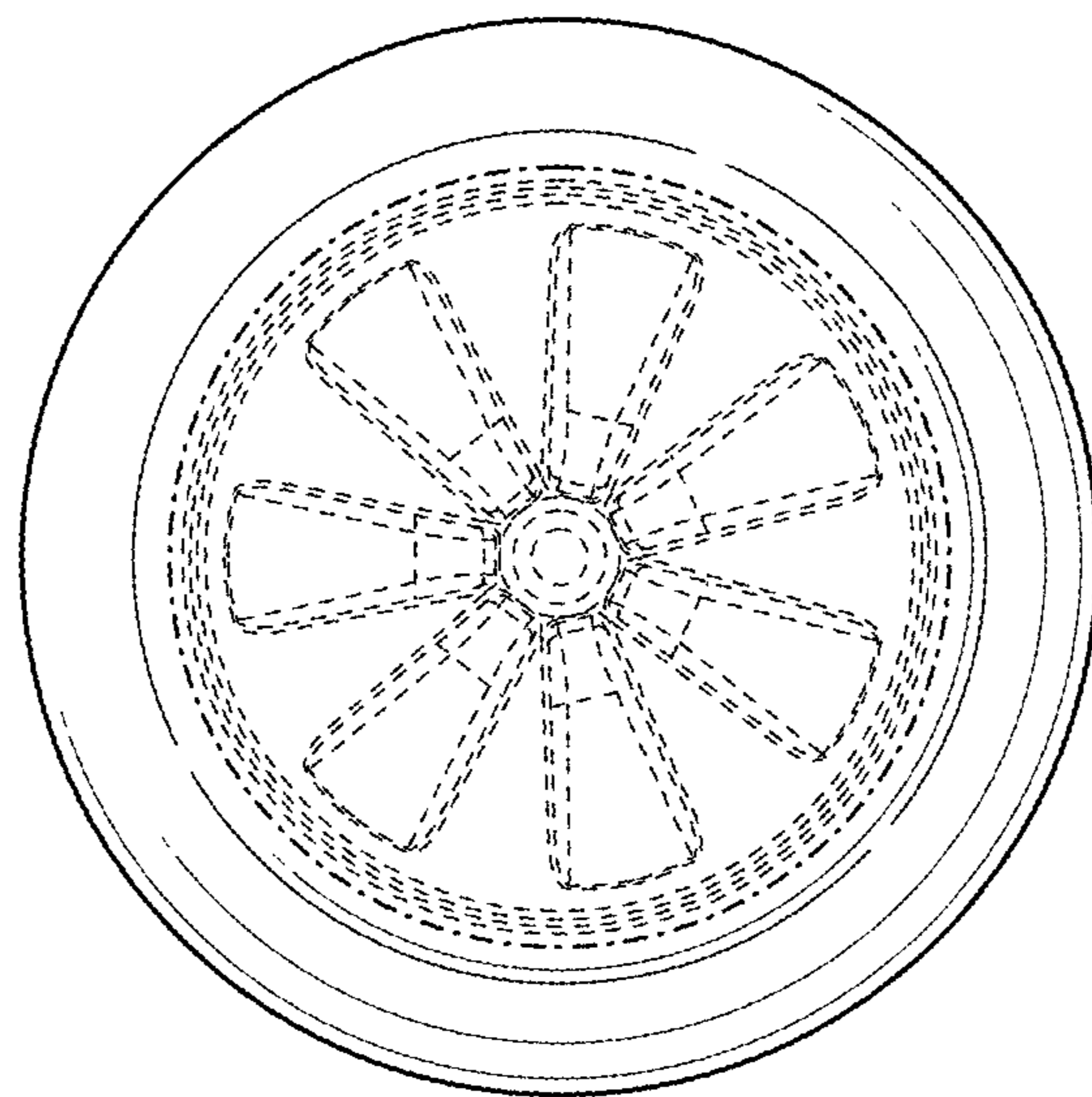


FIG. 8