

US00D907504S

(12) **United States Design Patent**  
**Danyluk et al.**

(10) **Patent No.:** **US D907,504 S**  
(45) **Date of Patent:** **\*\* Jan. 12, 2021**

(54) **BOTTLE**

(71) Applicant: **TARGET BRANDS, INC.**,  
Minneapolis, MN (US)

(72) Inventors: **Casey M. Danyluk**, Minneapolis, MN  
(US); **Michael M. Habig**, Cincinnati,  
OH (US)

(73) Assignee: **TARGET BRANDS, INC.**,  
Minneapolis, MN (US)

(\*\*) Term: **15 Years**

(21) Appl. No.: **29/751,414**

(22) Filed: **Sep. 21, 2020**

**Related U.S. Application Data**

(62) Division of application No. 29/689,096, filed on Apr.  
26, 2019, now Pat. No. Des. 898,577.

(51) **LOC (13) Cl.** ..... **09-01**

(52) **U.S. Cl.**

USPC ..... **D9/528**; D9/454

(58) **Field of Classification Search**

USPC ..... D9/434, 435, 453-454, 516, 523, 528,  
D9/530-531, 543, 563, 571, 575, 682,  
D9/685, 715, 719; D23/211.1, 211.2  
CPC ..... B65D 1/00; B65D 1/02; B65D 1/0223;  
B65D 1/023; B65D 1/40; B65D 23/00;  
B65D 23/10; B65D 23/102; B65D 25/00;  
B65D 25/28; B65D 25/2882; B65D  
25/2888; B65D 25/2894; B65D 25/2897;  
B65D 2501/00; B65D 2501/0009; B65D  
2501/0081; B05B 11/0037

See application file for complete search history.

(56) **References Cited**

**U.S. PATENT DOCUMENTS**

D220,609 S 5/1971 Dickins  
D247,347 S 2/1978 Klingaman

4,269,722 A 5/1981 Joshi et al.  
D264,127 S 4/1982 Peterson  
D284,353 S 6/1986 Prah  
D297,213 S 8/1988 Holmquist et al.  
D303,628 S 9/1989 Beaver  
4,917,269 A 4/1990 Fuchs et al.  
D314,703 S 2/1991 Segati  
D317,866 S 7/1991 Dever et al.  
D326,052 S 5/1992 Beechuk et al.  
5,122,399 A 6/1992 Farrell et al.  
D359,906 S 7/1995 Carre et al.

(Continued)

**OTHER PUBLICATIONS**

“Dapple Baby Laundry Detergent Fragrance Free, 100 Ounce”,  
printed from [www.amazon.com/dp/BooLTEXFVW?tag=thez9youra-20](http://www.amazon.com/dp/BooLTEXFVW?tag=thez9youra-20),  
publicly available at least as early as Nov. 11, 2012 (9 pages).

(Continued)

*Primary Examiner* — Dana Meyrow

(74) *Attorney, Agent, or Firm* — JoAnn M. Seaton;  
Griffiths & Seaton PLLC

(57)

**CLAIM**

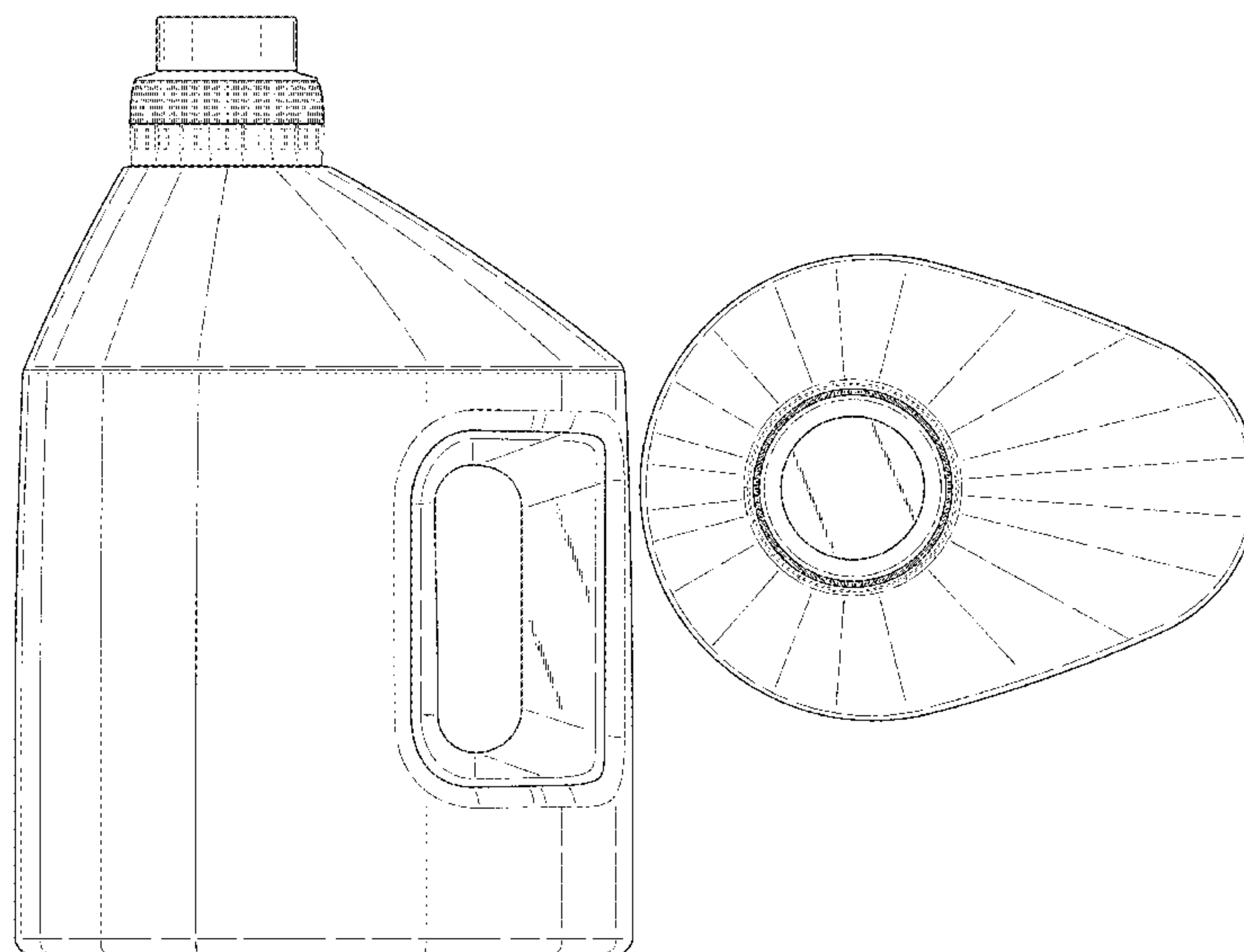
The ornamental design for a bottle, as shown and described.

**DESCRIPTION**

FIG. 1 is a top and front perspective view of a combined  
bottle and cap, showing an embodiment of our new design;  
FIG. 2 is a front view thereof;  
FIG. 3 is a rear view thereof;  
FIG. 4 is a right side view thereof;  
FIG. 5 is a left side view thereof;  
FIG. 6 is a top view thereof; and,  
FIG. 7 is a bottom view thereof.

The broken lines in the drawings illustrate the portions of the  
bottle that form no part of the claimed design.

**1 Claim, 6 Drawing Sheets**



(56)

**References Cited**

U.S. PATENT DOCUMENTS

D379,929 S	6/1997	Dallaire	
D429,162 S	8/2000	Manderfield, Jr.	
D611,826 S	3/2010	Kuroki et al.	
D649,882 S	12/2011	Fleischhacker et al.	
D658,500 S	5/2012	Haupt	
D665,672 S	8/2012	Randquist et al.	
D694,635 S	12/2013	Corbett et al.	
D778,163 S	2/2017	Dilley et al.	
D801,819 S	11/2017	Dunster et al.	
D891,258 S *	7/2020	Clark .....	D9/528
D891,259 S *	7/2020	Clark .....	D9/528
D896,653 S *	9/2020	Loughrey .....	D9/528
D898,577 S *	10/2020	Danyluk .....	D9/528

OTHER PUBLICATIONS

“Cif Wild Orchid Floor Cleaner 1L”, printed from [www.bmstores.co.uk/products/cif-wood-floor-cleaner-1l-wild-orchid-252363](http://www.bmstores.co.uk/products/cif-wood-floor-cleaner-1l-wild-orchid-252363), publicly available at least as early as Jun. 24, 2011, per <http://web.archive.org> (3 pages).

“Run This Baby Laundry Detergent”, printed from [https://guide.alibaba.com/t-shop/run-this-baby-laundry-detergent-to-c...ergent-concentrated-detergent-mites-children-2-bottles\\_11442833.html](https://guide.alibaba.com/t-shop/run-this-baby-laundry-detergent-to-c...ergent-concentrated-detergent-mites-children-2-bottles_11442833.html), publicly available at least as early as Apr. 27, 2018 (3 pages).

“MamaSuds Laundry Detergent Soap”, printed from [www.mamasuds.com/products/laundry-soap](http://www.mamasuds.com/products/laundry-soap), publicly available at least as early as Jan. 21, 2018 (10 pages).

“Natural Home Logic Laundry Detergent”, printed from [www.logicproducts.com/products/natural-home-logic-laundry-detergent](http://www.logicproducts.com/products/natural-home-logic-laundry-detergent), publicly available at least as early as May 1, 2018 (5 pages).

“Smart Sense 4-In-1 Ultra Laundry Detergent Ocean Air 100.0 FL OZ”, printed from [www.kmart.com/smart-sense-4-in-1-ultra-laundry-detergent/p-029W009180621001P](http://www.kmart.com/smart-sense-4-in-1-ultra-laundry-detergent/p-029W009180621001P), publicly available at least as early as Jan. 9, 2017, per <http://web.archive.org> (5 pages).

“Subscribe to a Laundry Plan—Achieve Clean”, printed from <https://achieveclean.org/subscribe/>, publicly available at least as early as Apr. 27, 2018 (2 pages).

“Uline High Efficient Liquid Detergent—100 oz Bottle”, printed from [www.uline.com/Product/Detail/S-19458/Cleaning-Supplies/...QobChMik6W956\\_I2gIVCdbACh3YRgTkEAQYBiABEgKgXfD\\_BwE&gclid=aw.ds](http://www.uline.com/Product/Detail/S-19458/Cleaning-Supplies/...QobChMik6W956_I2gIVCdbACh3YRgTkEAQYBiABEgKgXfD_BwE&gclid=aw.ds), publicly available at least as early as May 1, 2018 (2 pages).

\* cited by examiner

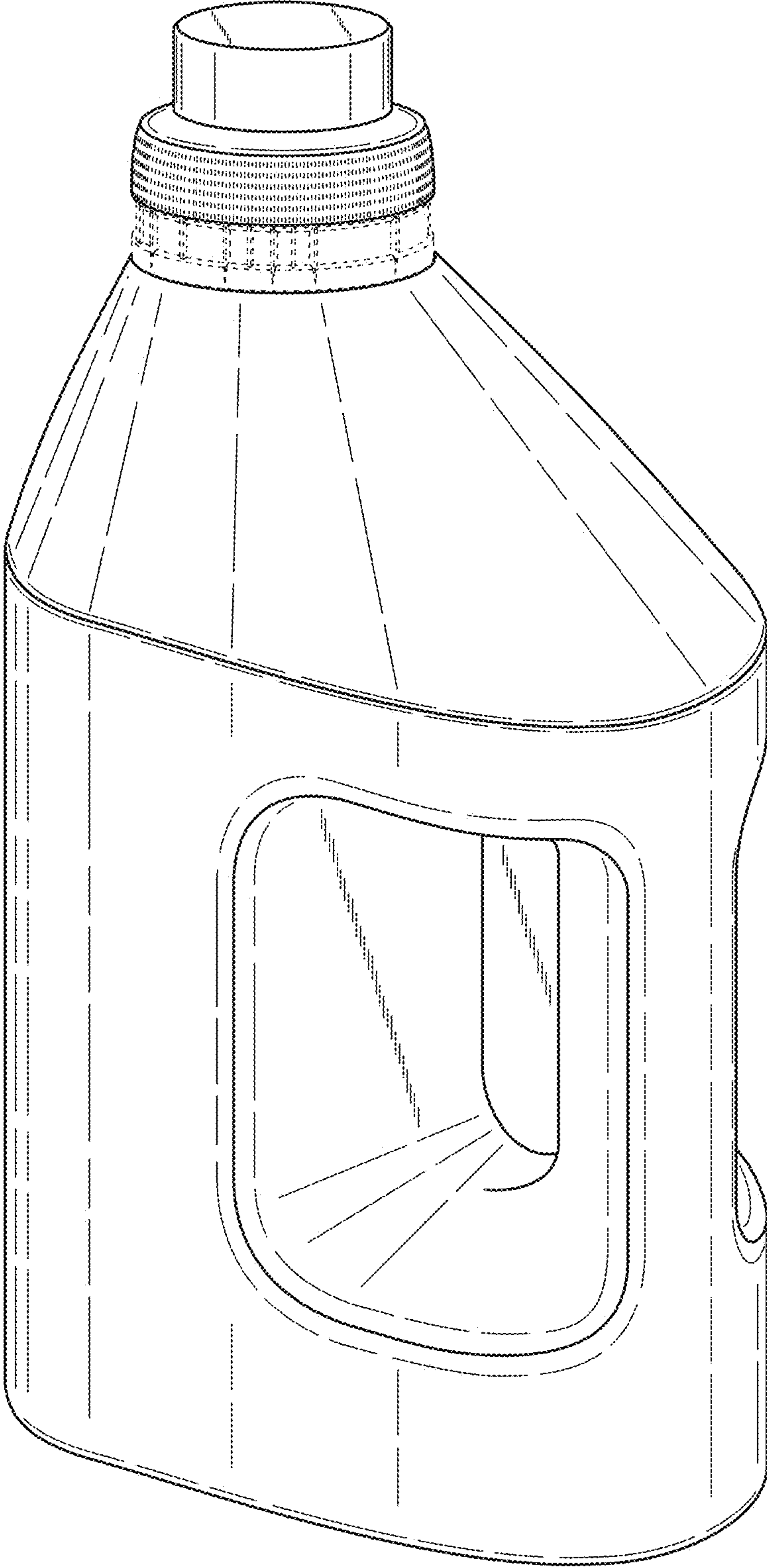


FIG. 1



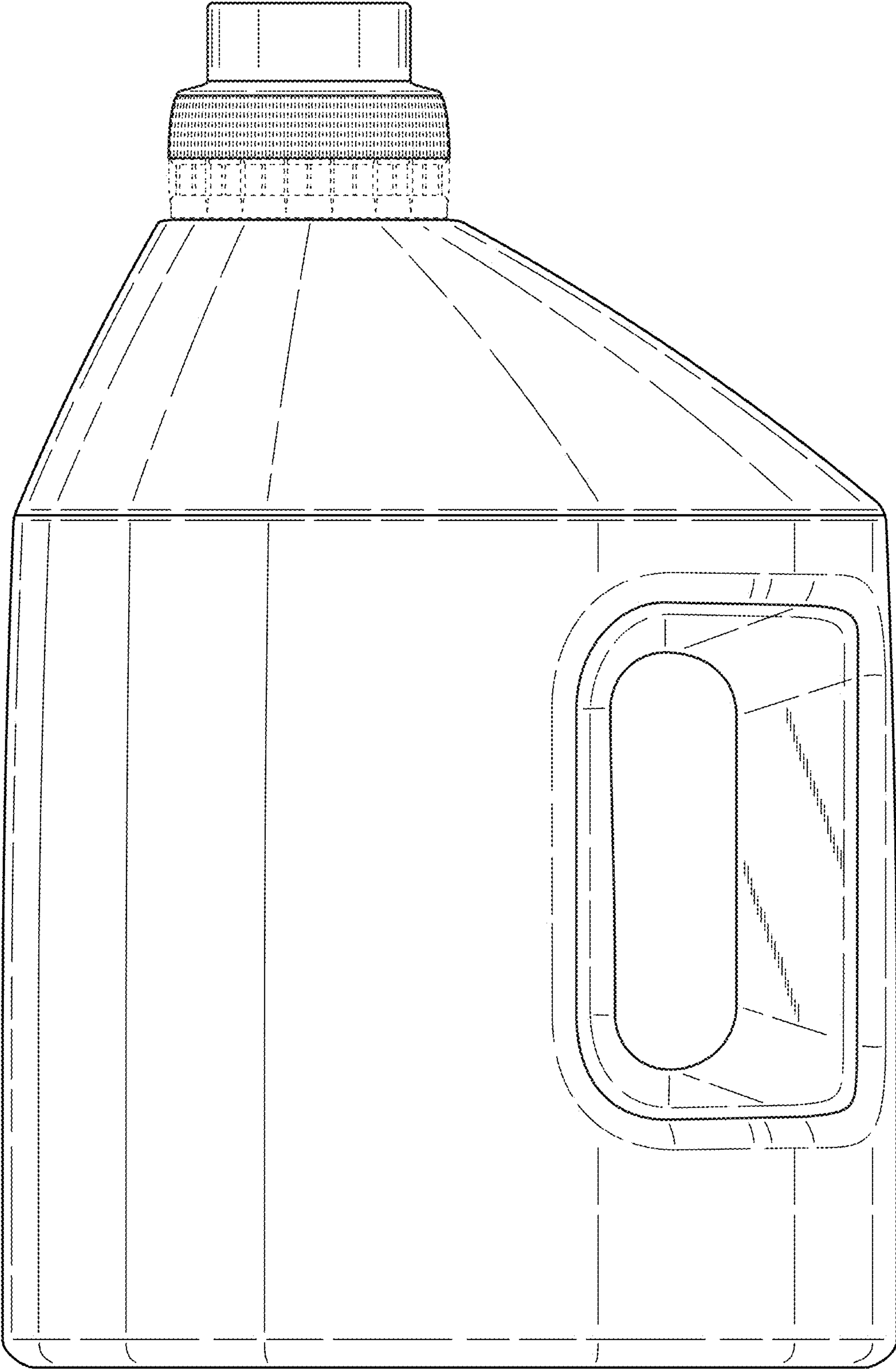


FIG. 2

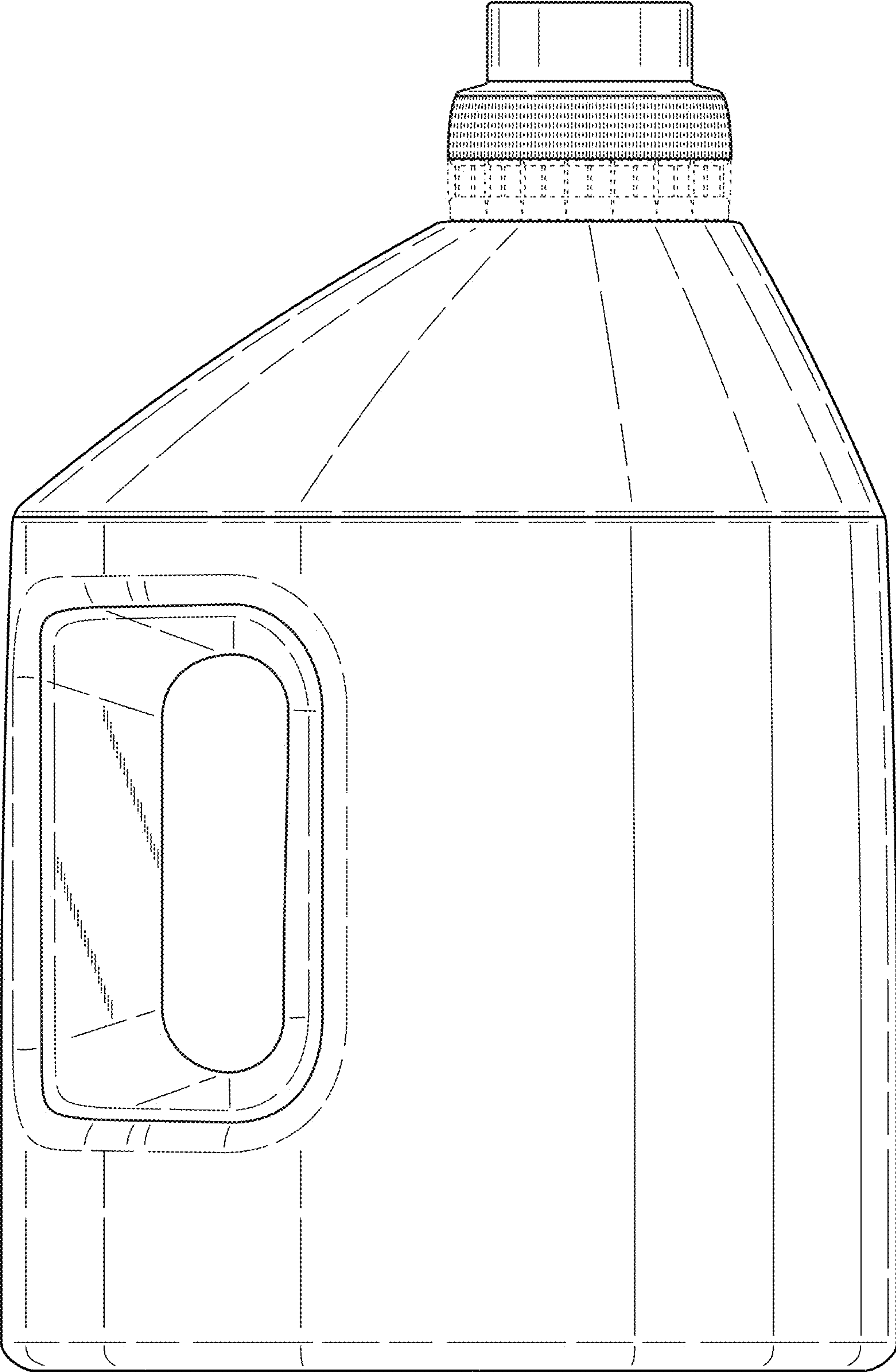


FIG. 3

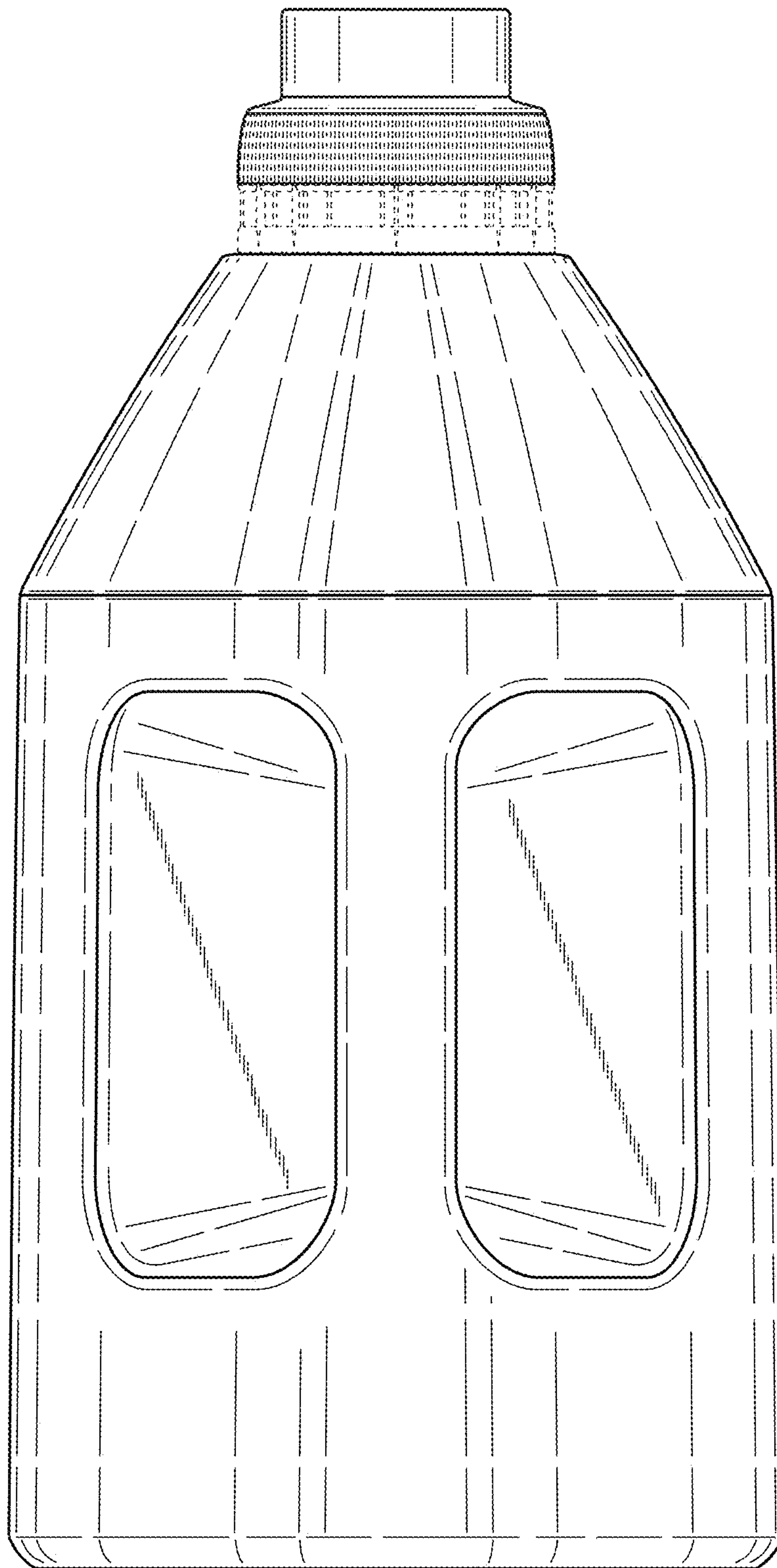


FIG. 4

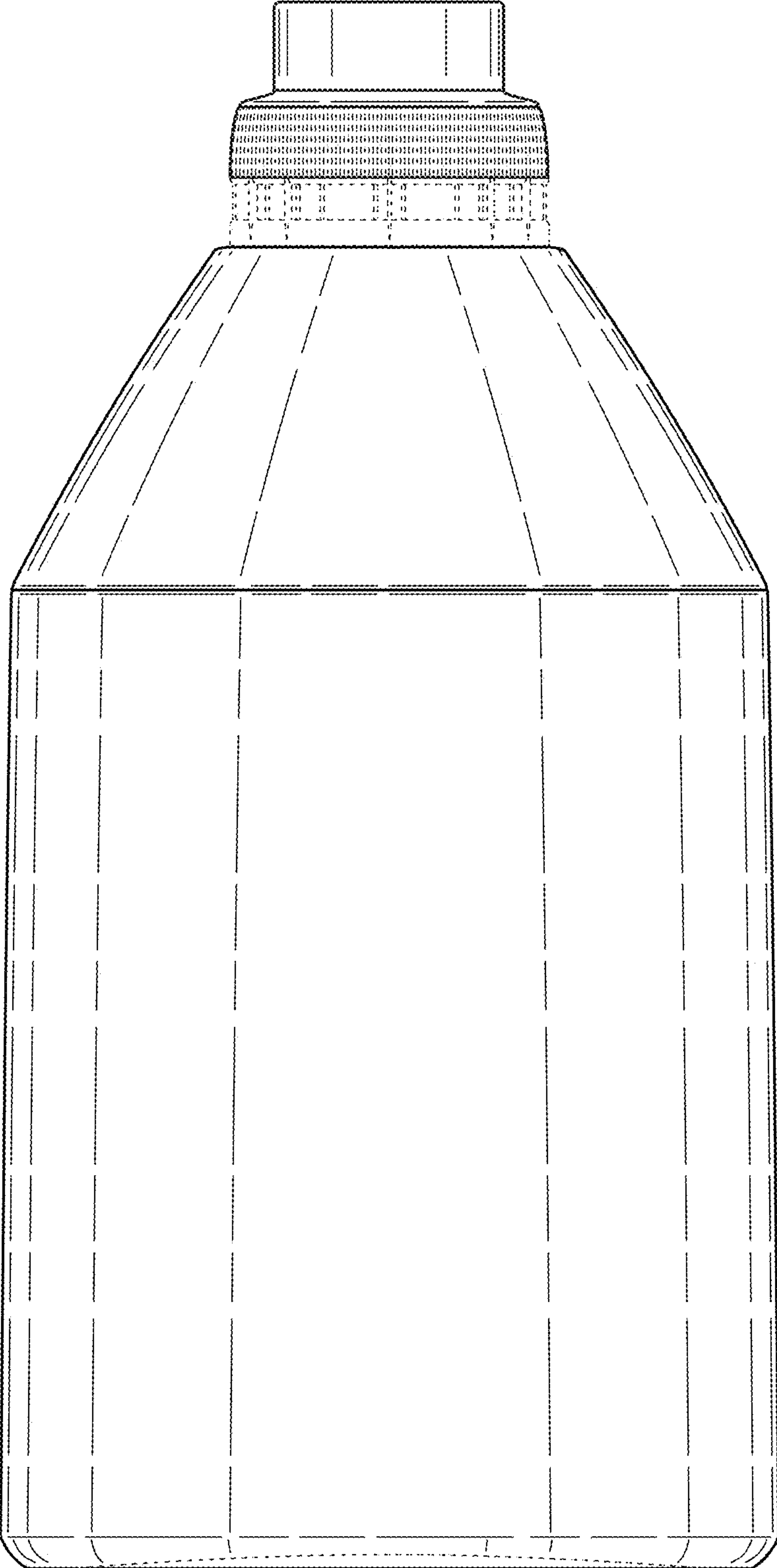


FIG. 5

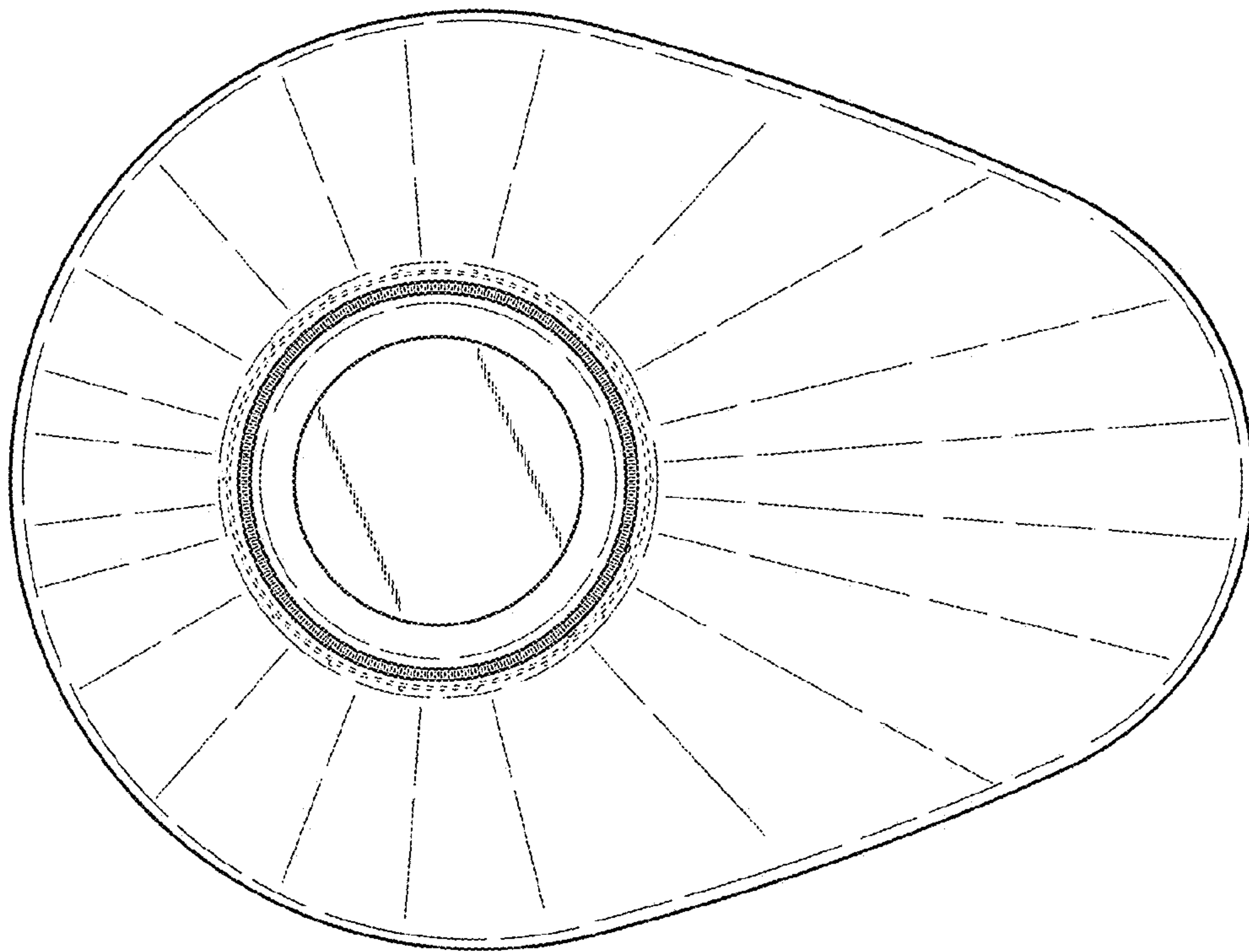


FIG. 6

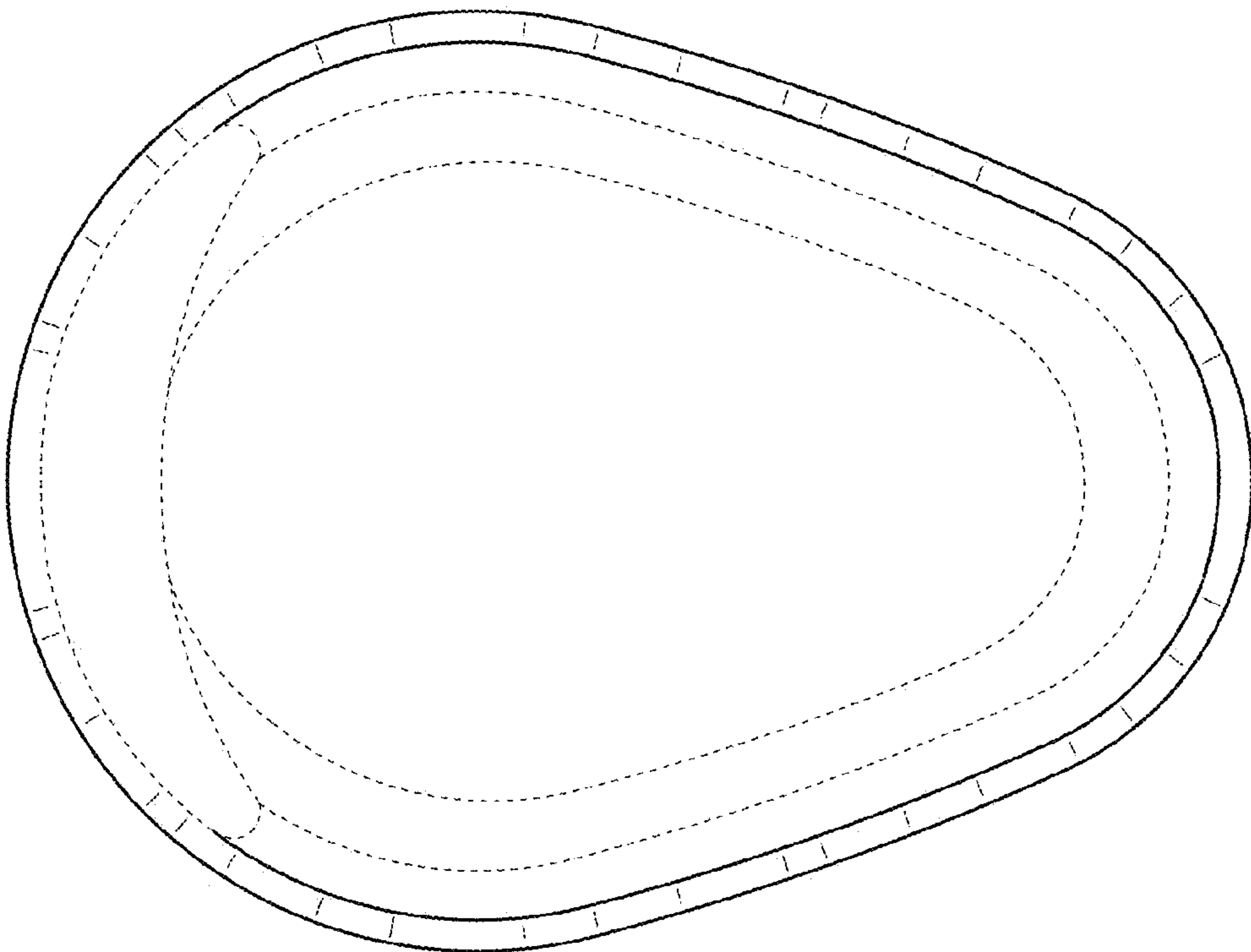


FIG. 7