



US00D907501S

(12) **United States Design Patent** (10) **Patent No.:** **US D907,501 S**
Aboabdo (45) **Date of Patent:** **** Jan. 12, 2021**

(54) **BOTTLE**

(71) Applicant: **Chubby Gorilla, Inc.**, Santa Fe Springs, CA (US)

(72) Inventor: **Ibrahiem H. Aboabdo**, Yorba Linda, CA (US)

(73) Assignee: **Chubby Gorilla, Inc.**, Fullerton, CA (US)

(**) Term: **15 Years**

(21) Appl. No.: **29/665,474**

(22) Filed: **Oct. 3, 2018**

(51) **LOC (13) Cl.** **09-01**

(52) **U.S. Cl.**
USPC **D9/503**; D9/443; D9/452; D9/454

(58) **Field of Classification Search**
USPC D9/414, 434-435, 443, 444-445, 452, D9/454, 500, 503-504, 516, 520, 529,
(Continued)

(56) **References Cited**

U.S. PATENT DOCUMENTS

3,847,494 A * 11/1974 Franklin A45D 40/0068
403/345
4,221,495 A * 9/1980 Braun A45D 34/041
401/213

(Continued)

Primary Examiner — Dana Meyrow

(74) *Attorney, Agent, or Firm* — Knobbe Martens Olson & Bear, LLP

(57) **CLAIM**

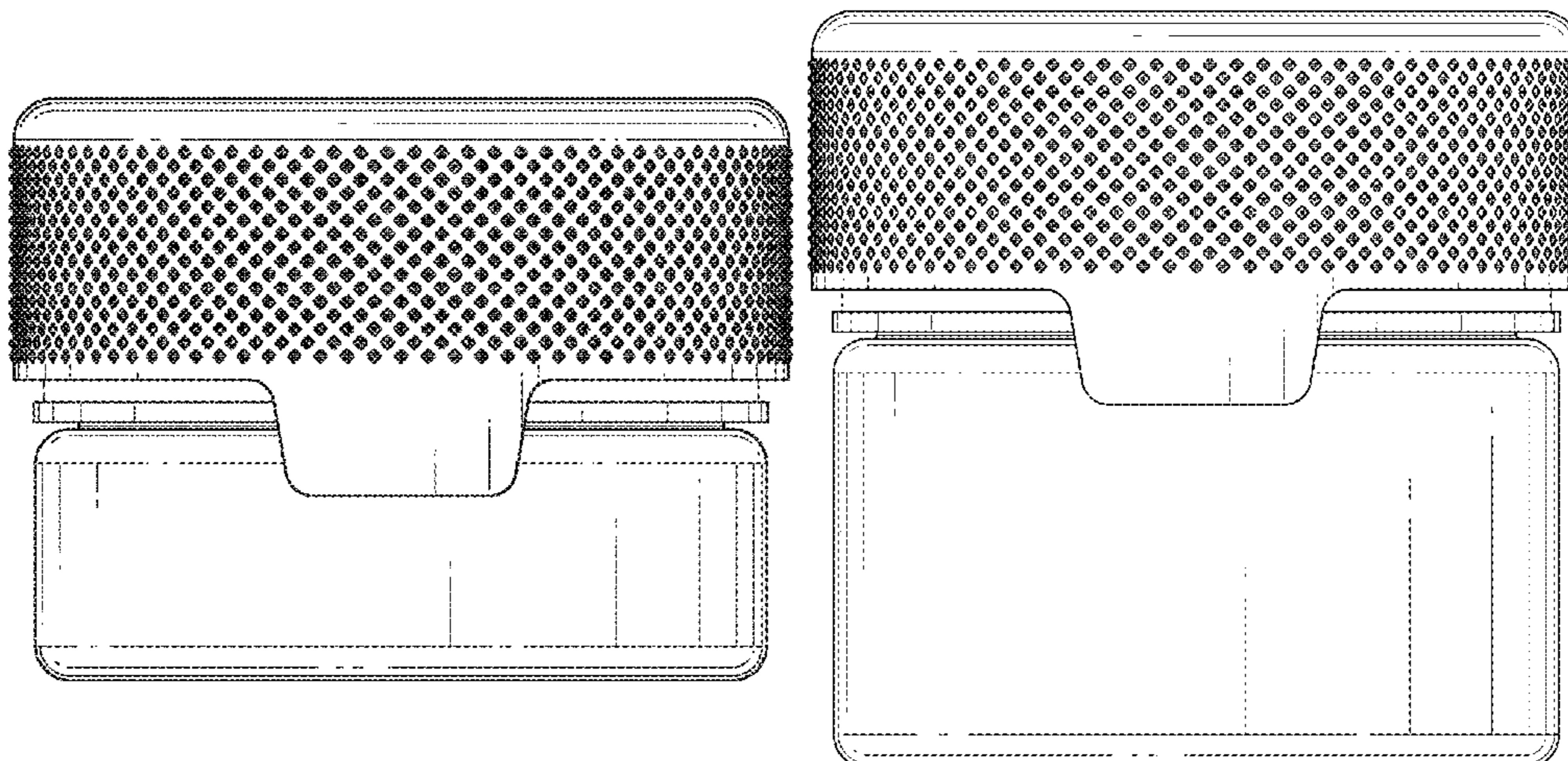
The ornamental design for bottle, as shown and described herein.

DESCRIPTION

FIG. 1 is a top perspective view of a first embodiment of a bottle embodying the new design.

FIG. 2 is a bottom perspective view thereof.
FIG. 3 is a front view thereof.
FIG. 4 is a rear view thereof.
FIG. 5 is a first side view thereof.
FIG. 6 is a second side view thereof.
FIG. 7 is a top view thereof.
FIG. 8 is a bottom view thereof.
FIG. 9 is an exploded perspective view thereof.
FIG. 10 is an exploded front view thereof.
FIG. 11 is a top perspective view of a second embodiment of a bottle embodying the new design.
FIG. 12 is a bottom perspective view thereof.
FIG. 13 is a front view thereof.
FIG. 14 is a rear view thereof.
FIG. 15 is a first side view thereof.
FIG. 16 is a second side view thereof.
FIG. 17 is a top view thereof.
FIG. 18 is a bottom view thereof.
FIG. 19 is an exploded perspective view thereof.
FIG. 20 is an exploded front view thereof.
FIG. 21 is a top perspective view of a third embodiment of a bottle embodying the new design.
FIG. 22 is a bottom perspective view thereof.
FIG. 23 is a front view thereof.
FIG. 24 is a rear view thereof.
FIG. 25 is a first side view thereof.
FIG. 26 is a second side view thereof.
FIG. 27 is a top view thereof.
FIG. 28 is a bottom view thereof.
FIG. 29 is an exploded perspective view thereof.
FIG. 30 is an exploded front view thereof.
FIG. 31 is a top perspective view of a fourth embodiment of a bottle embodying the new design.
FIG. 32 is a bottom perspective view thereof.
FIG. 33 is a front view thereof.
FIG. 34 is a rear view thereof.
FIG. 35 is a first side view thereof.
FIG. 36 is a second side view thereof.
FIG. 37 is a top view thereof.
FIG. 38 is a bottom view thereof.
FIG. 39 is an exploded perspective view thereof; and,
FIG. 40 is an exploded front view thereof.

(Continued)



The broken lines in the drawings illustrate the portions of the bottle that form no part of the claimed design.

1 Claim, 40 Drawing Sheets

(58) **Field of Classification Search**

USPC D9/549, 558, 682, 690–691, 715, 719,
D9/723–724; D3/203.2; D27/183, 186,
D27/189–191; D28/76; D7/608,
D7/629–630, 679
CPC B65D 1/00; B65D 1/02; B65D 1/0223;
B65D 23/00; B65D 51/32; B65D
2501/00; B65D 2501/0009

See application file for complete search history.

(56) **References Cited**

U.S. PATENT DOCUMENTS

D274,848 S *	7/1984	Chevassus	D28/76
D321,643 S *	11/1991	Katada	D9/435
D321,645 S *	11/1991	Katada	D9/503
D590,661 S *	4/2009	Kitamura	D7/510
D612,240 S *	3/2010	Cresswell	D9/504
D633,800 S *	3/2011	Haywood	D9/553
D636,683 S *	4/2011	Floyd	D9/688
D814,236 S *	4/2018	Rolfson	D7/392.1
D814,857 S *	4/2018	Rolfson	D7/392.1
D850,913 S *	6/2019	Ke	D9/452
D873,147 S *	1/2020	Aboabdo	D9/560
D892,623 S *	8/2020	Aboabdo	D9/503
D893,300 S *	8/2020	Aboabdo	D9/503
D894,004 S *	8/2020	Aboabdo	D9/503

* cited by examiner

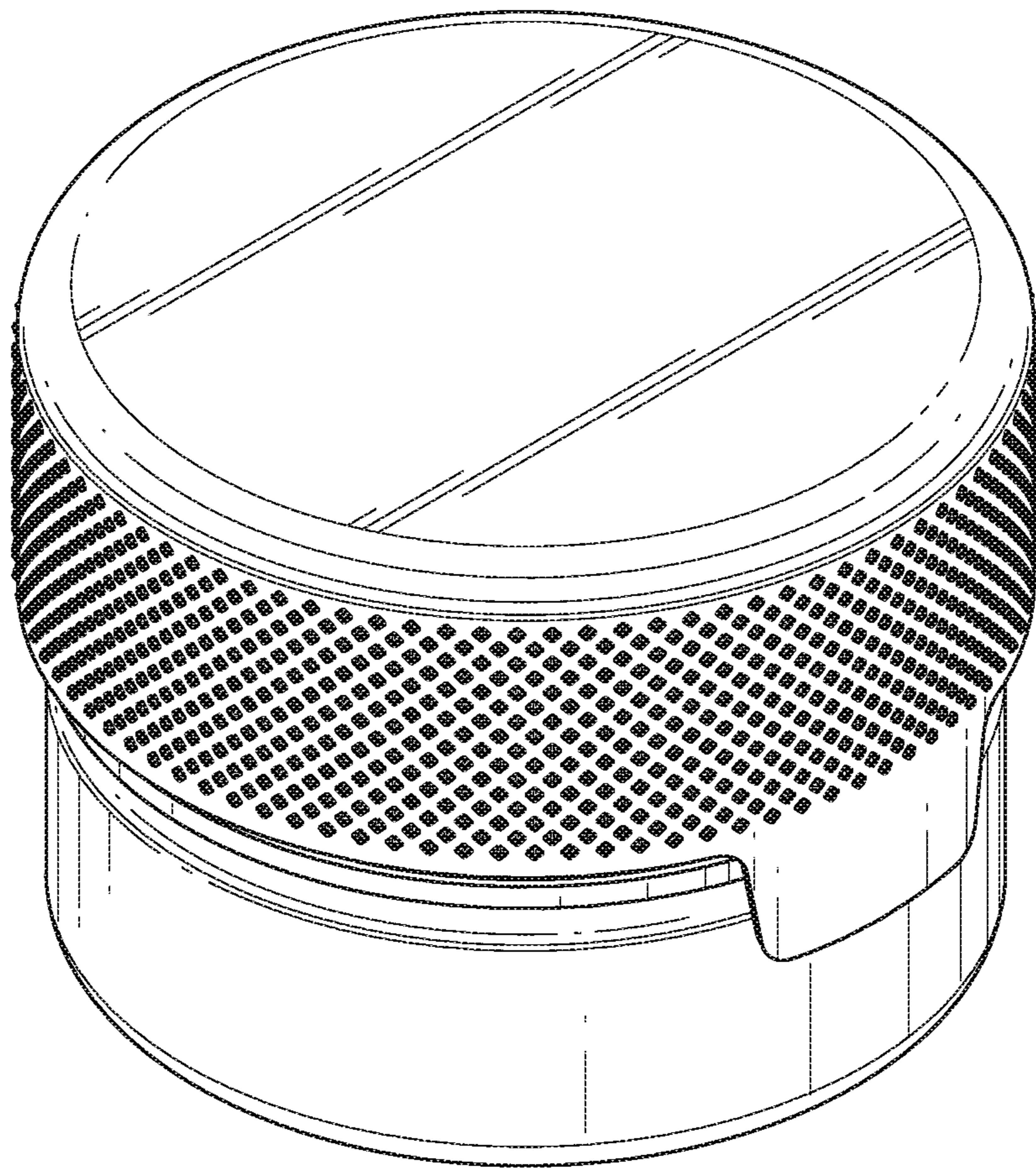


FIG. 1

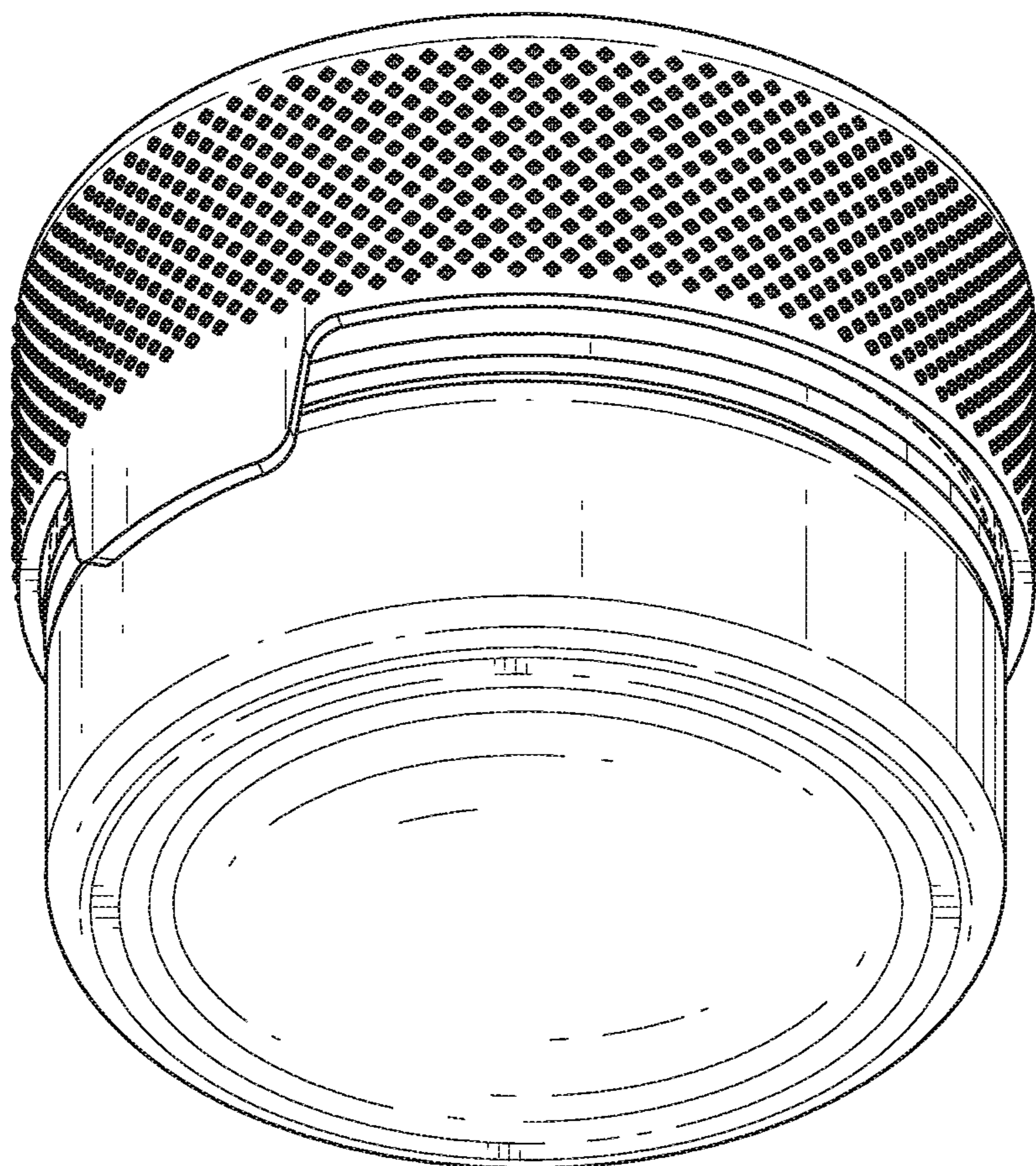


FIG. 2

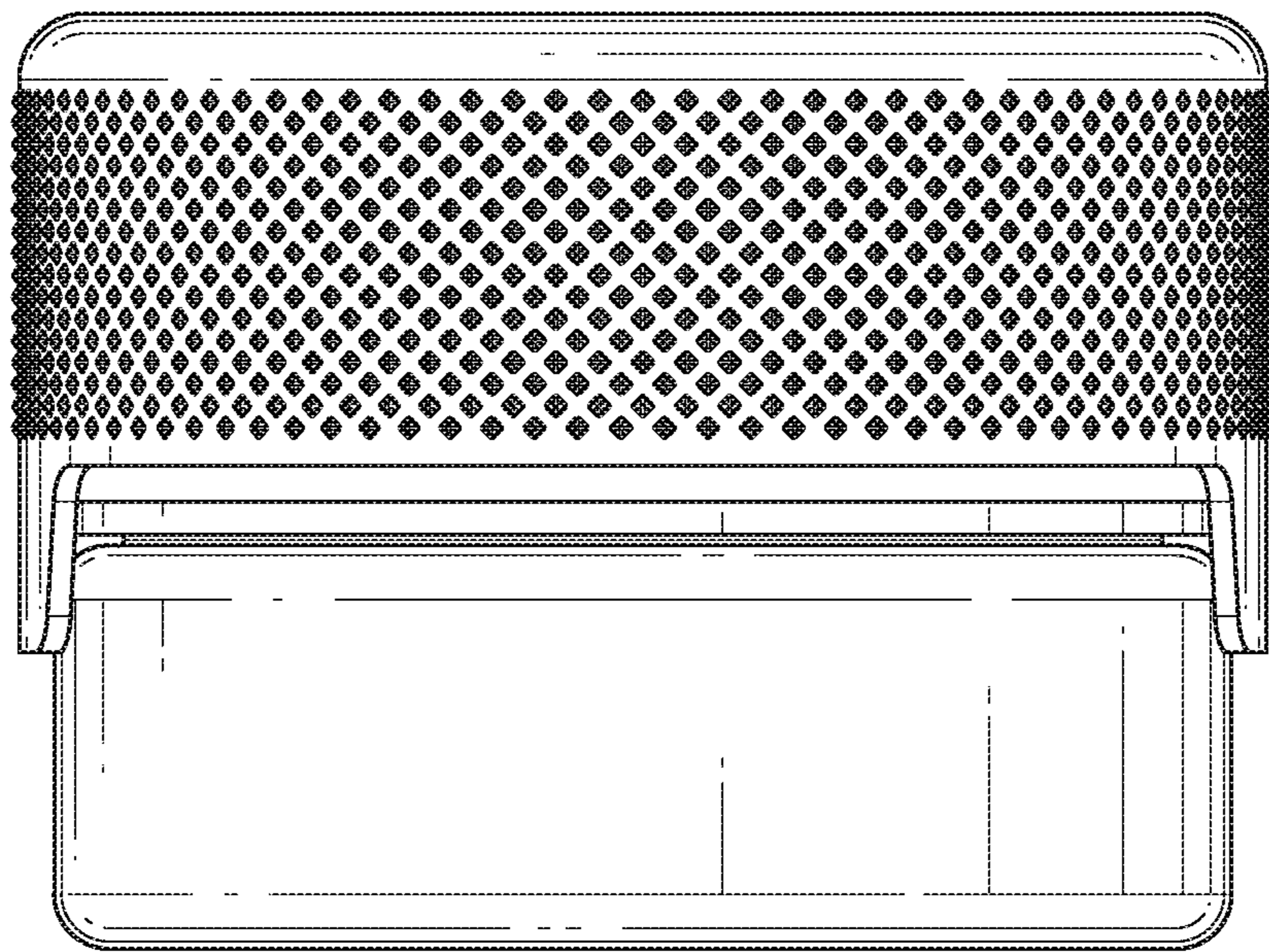


FIG. 3

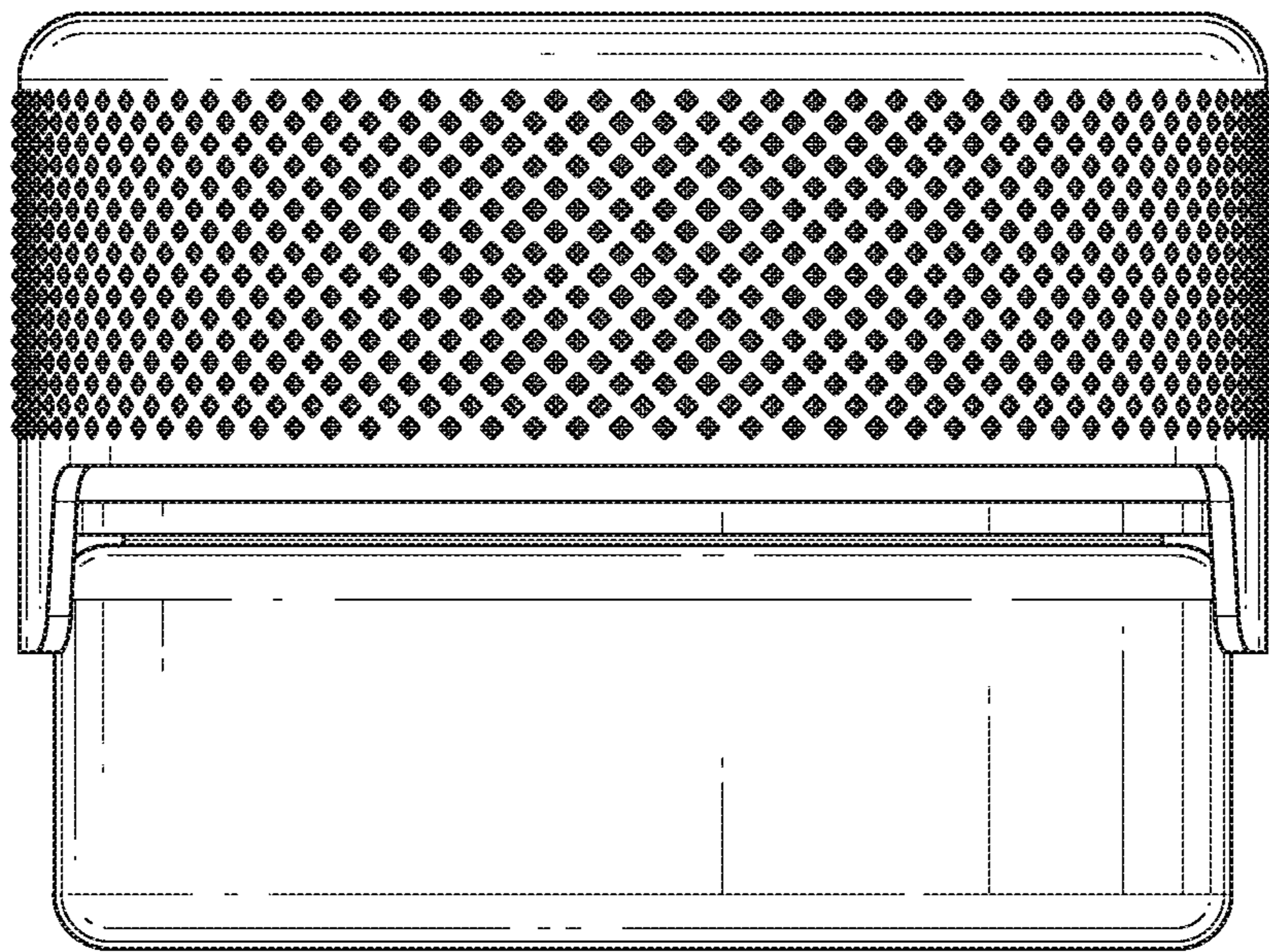


FIG. 4

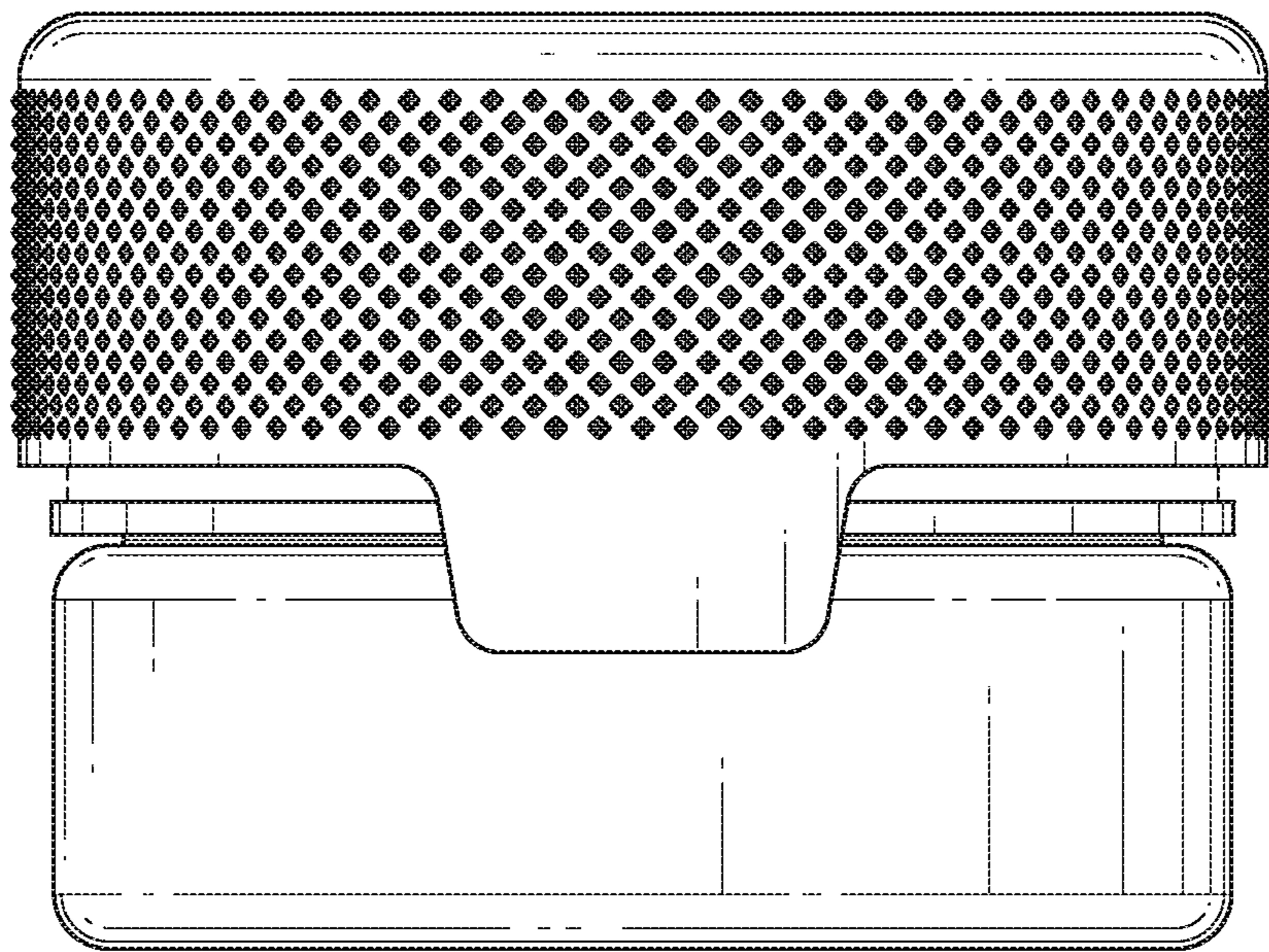


FIG. 5

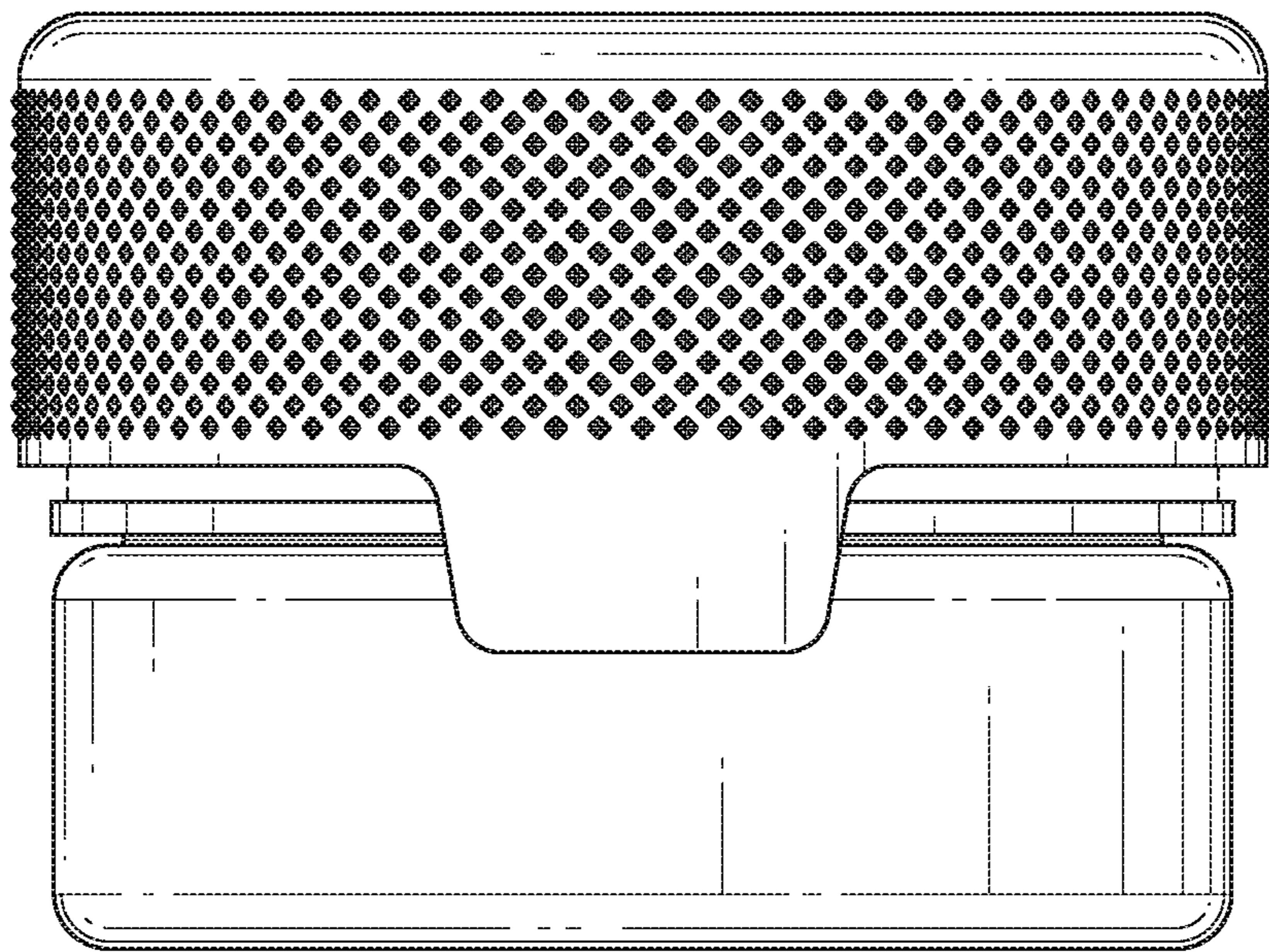


FIG. 6

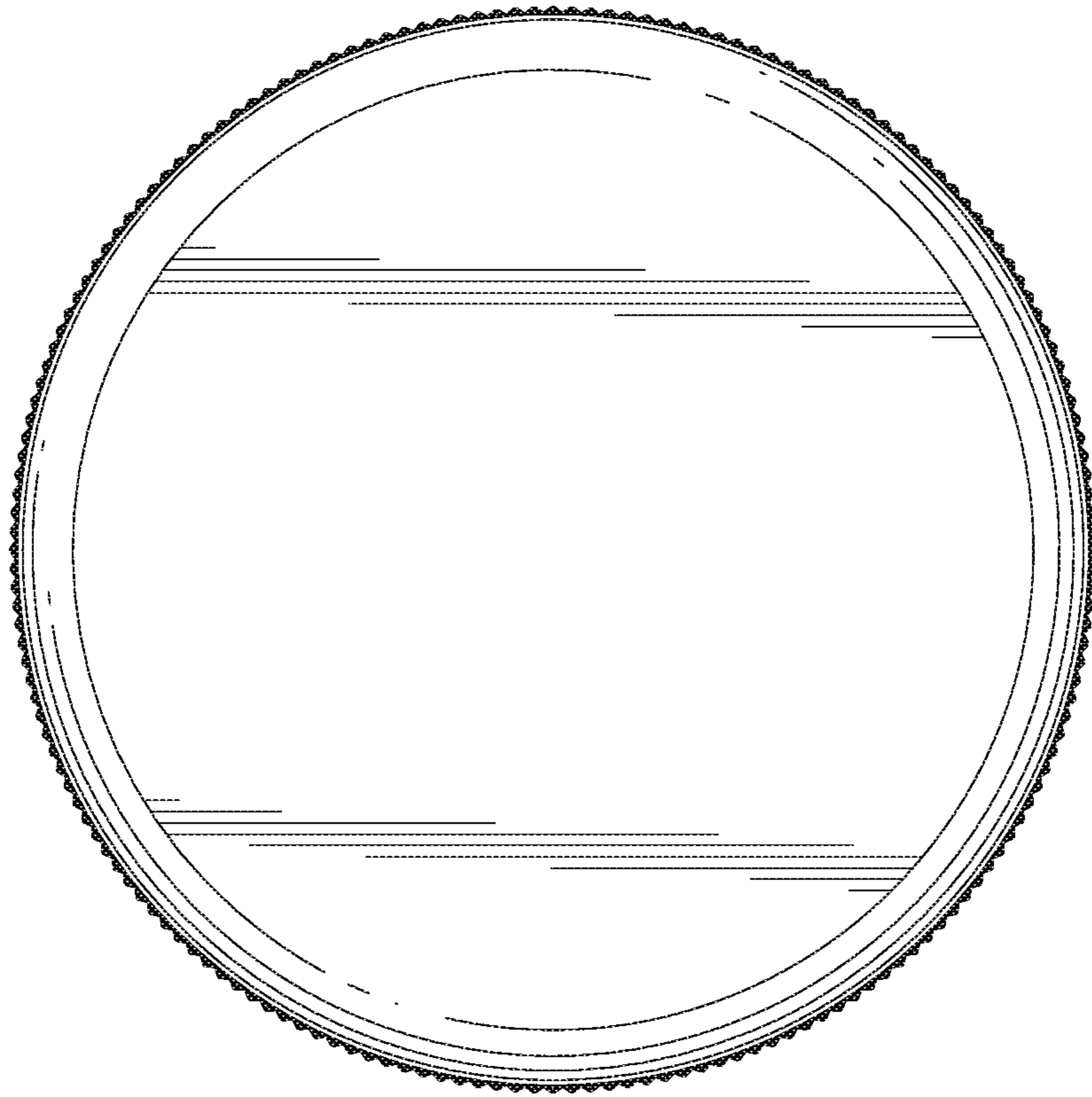


FIG. 7

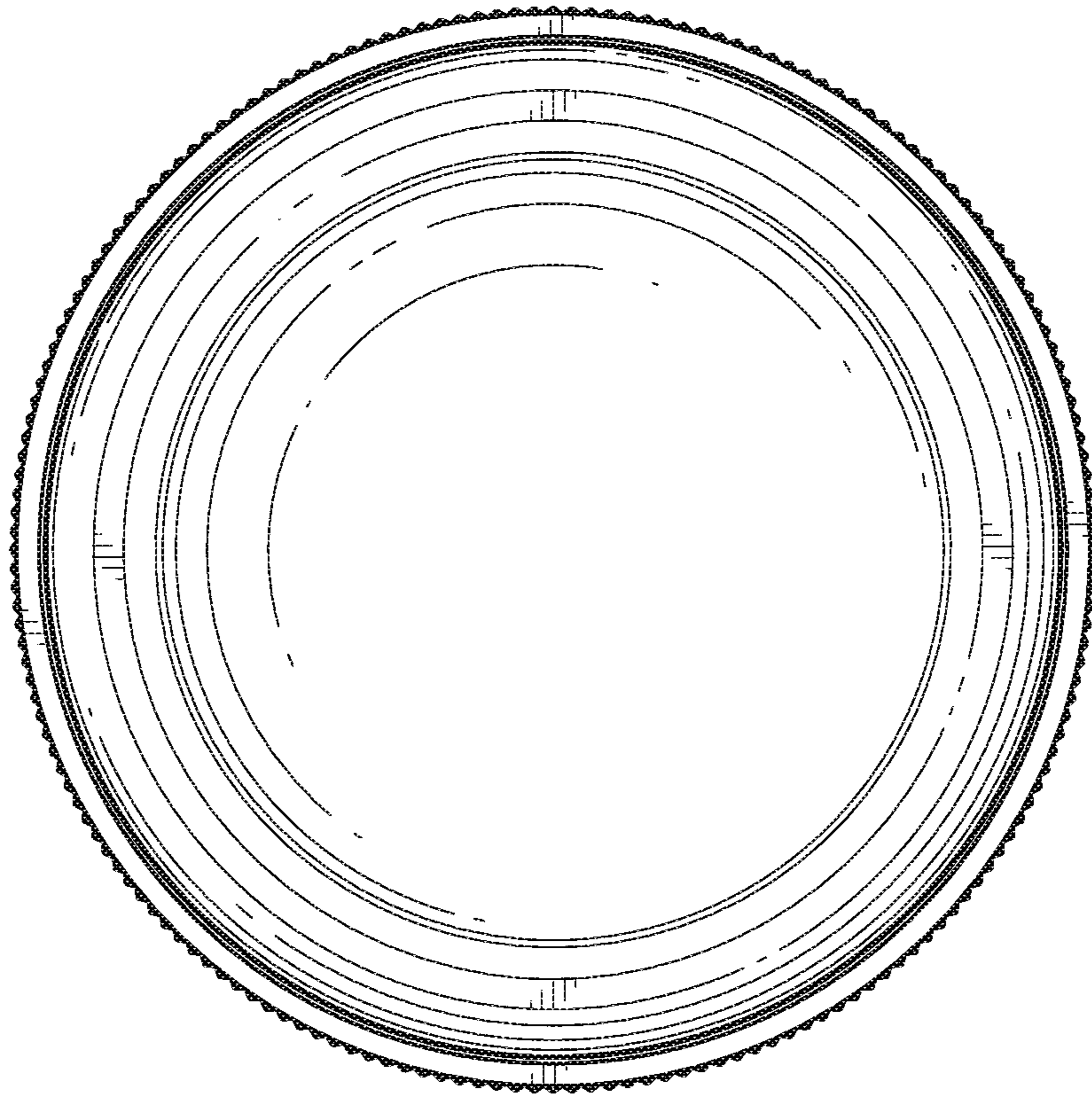


FIG. 8

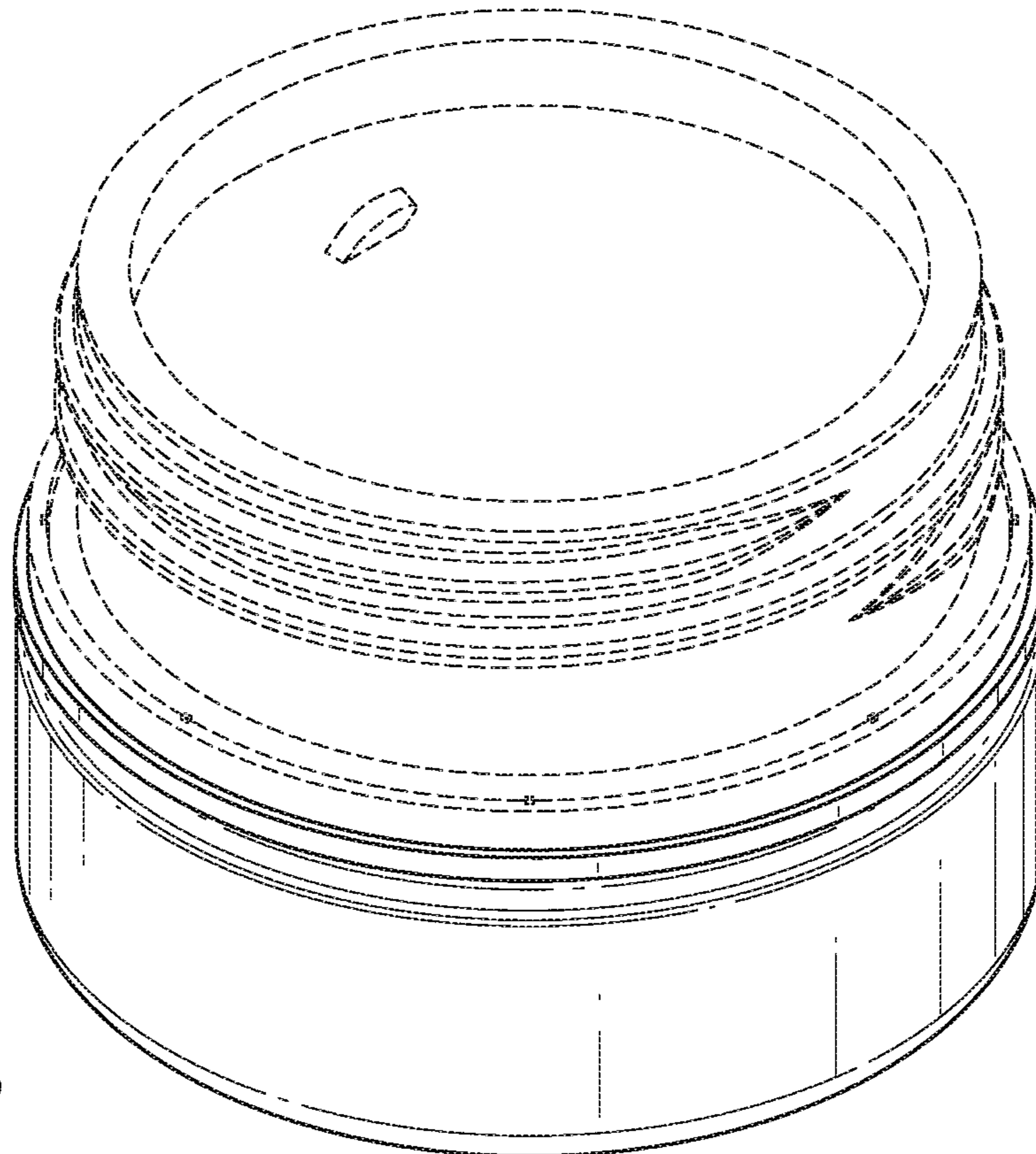
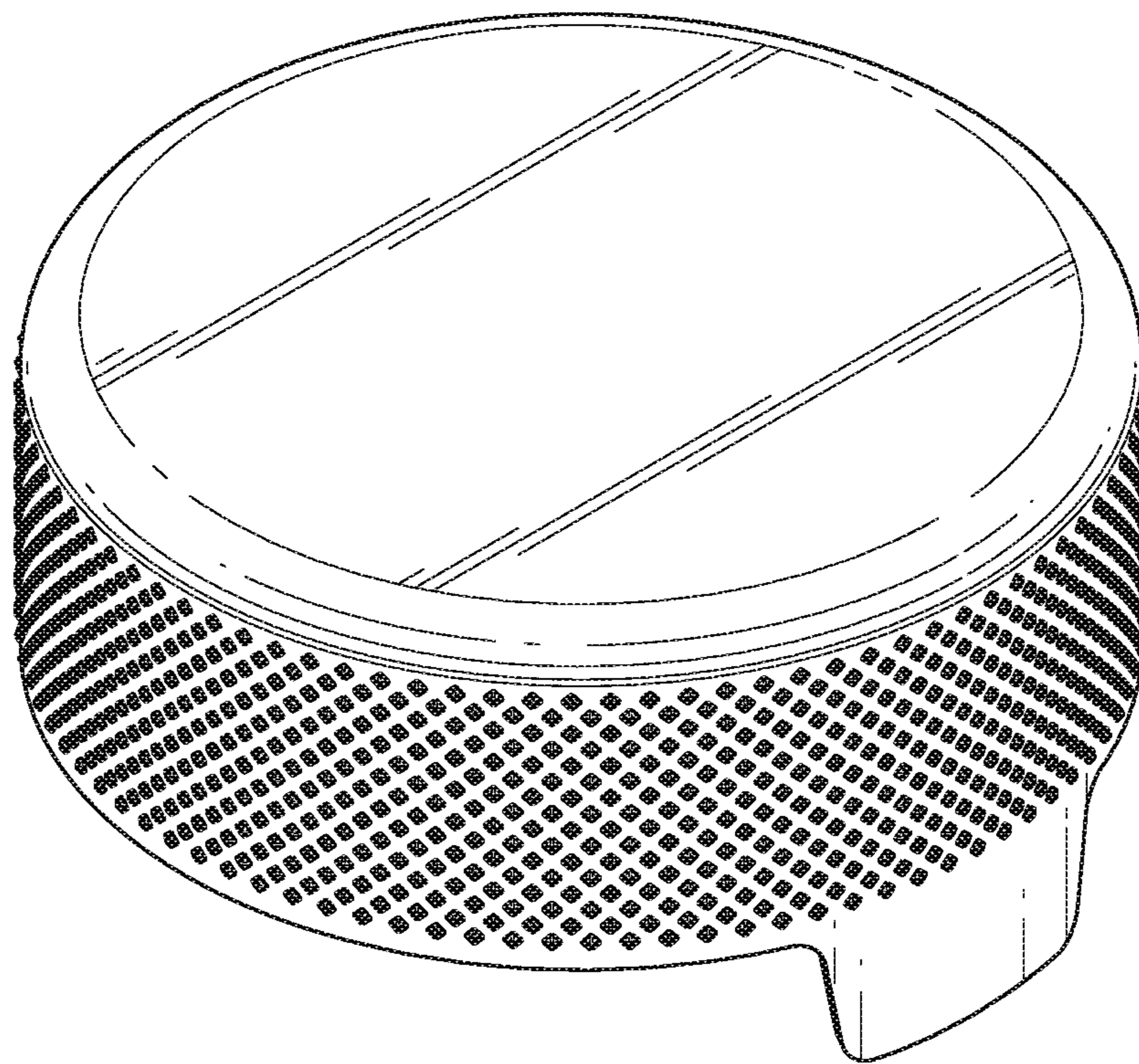


FIG. 9

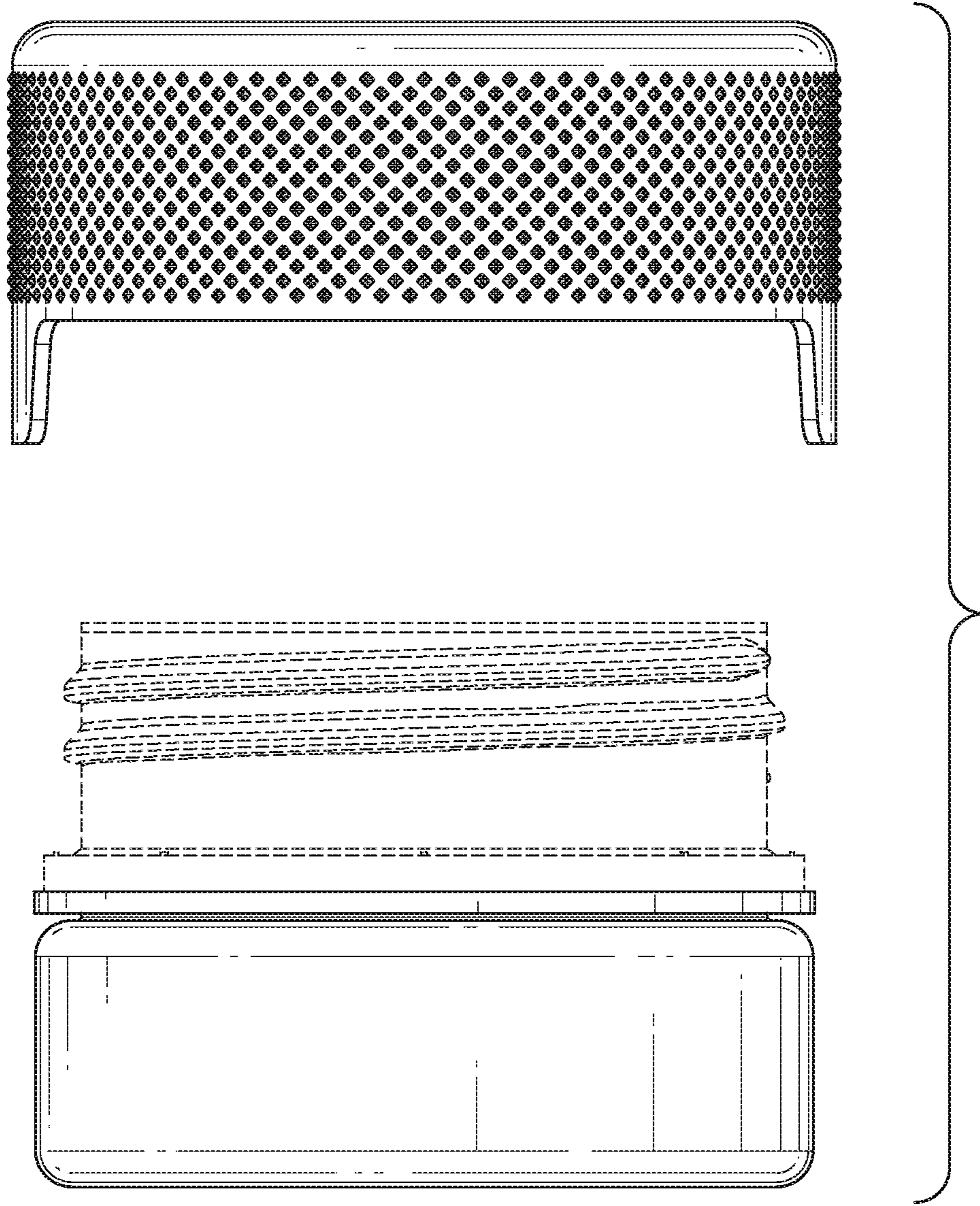


FIG. 10

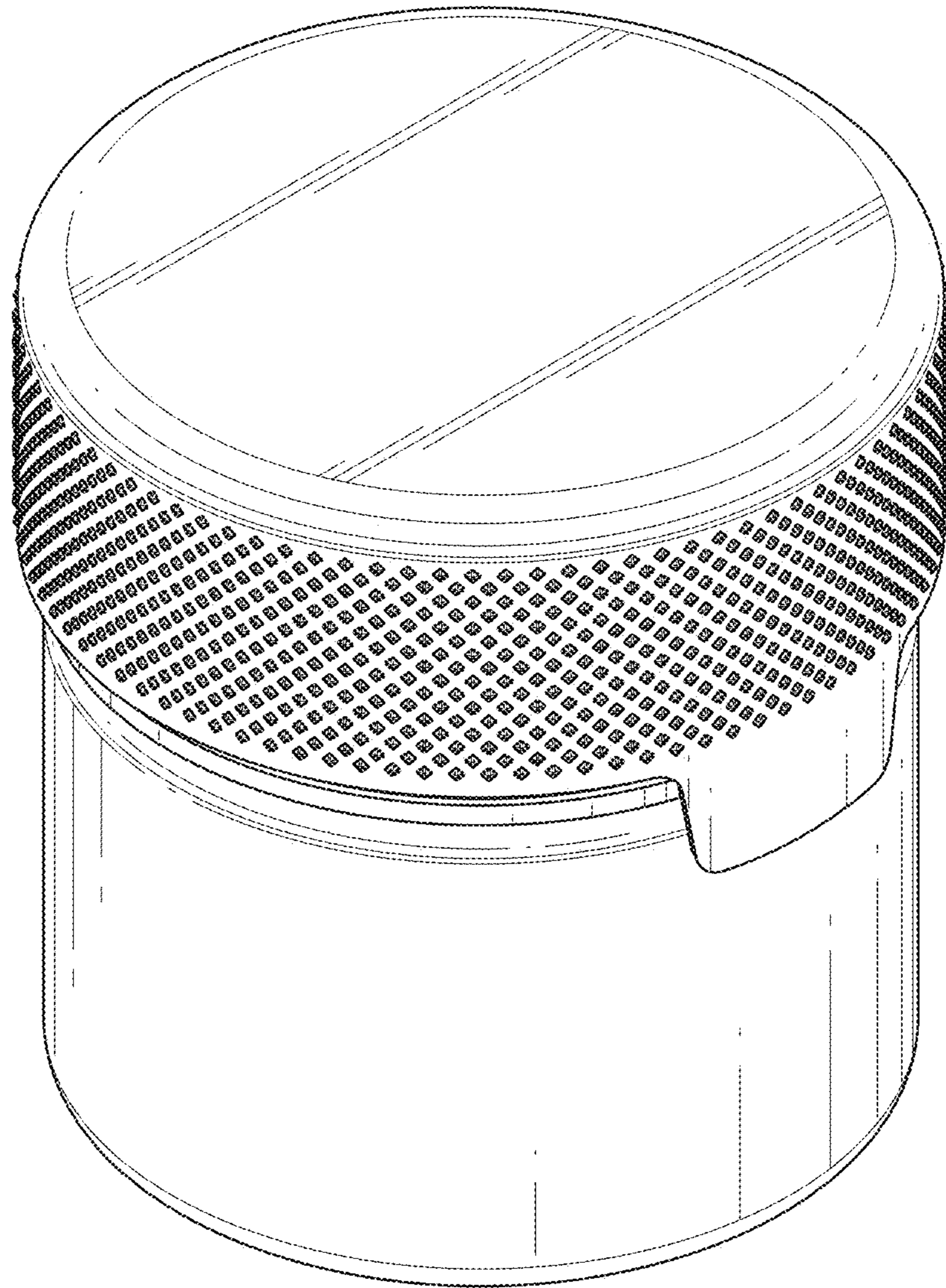


FIG. 11

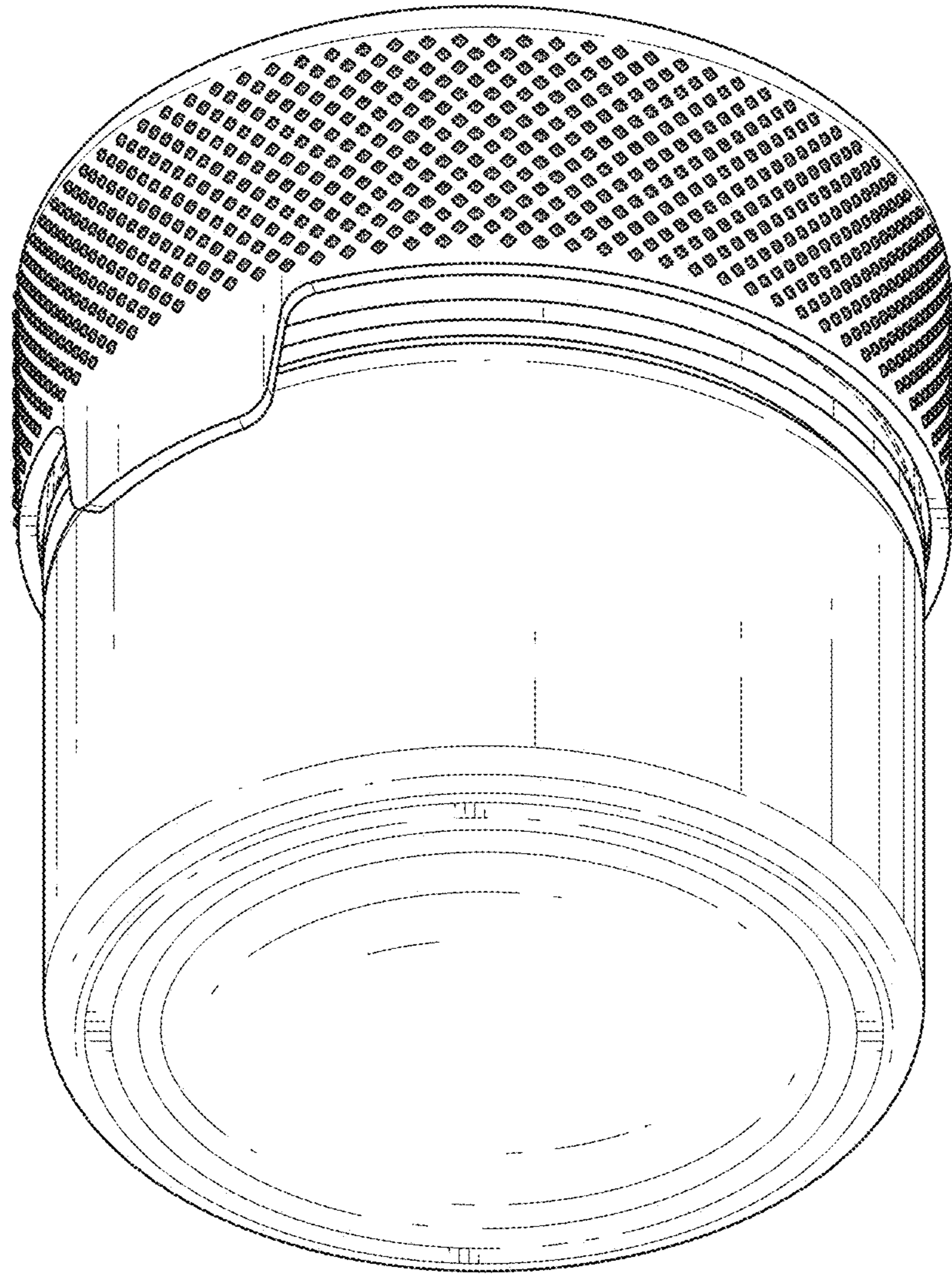


FIG. 12

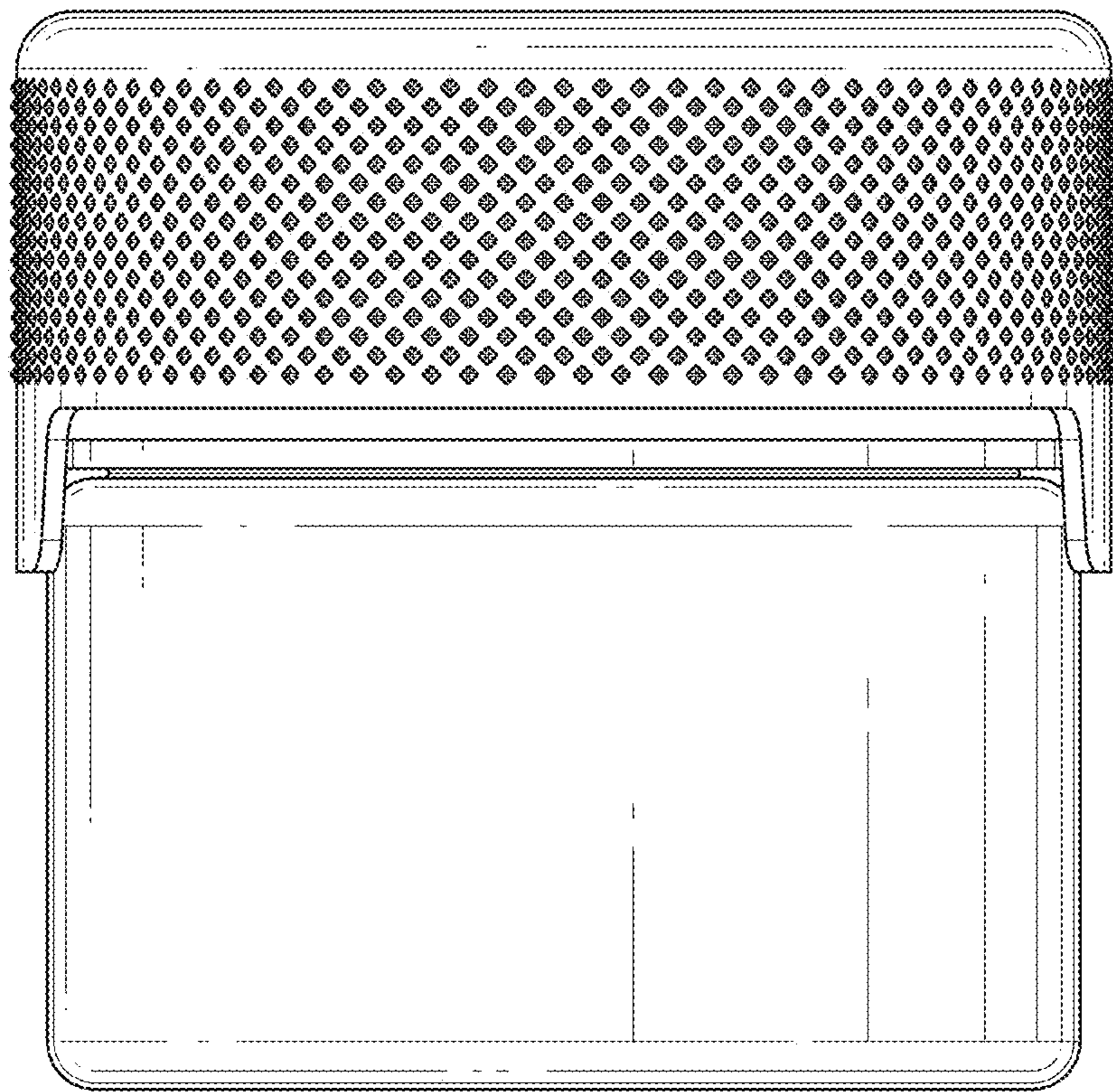


FIG. 13

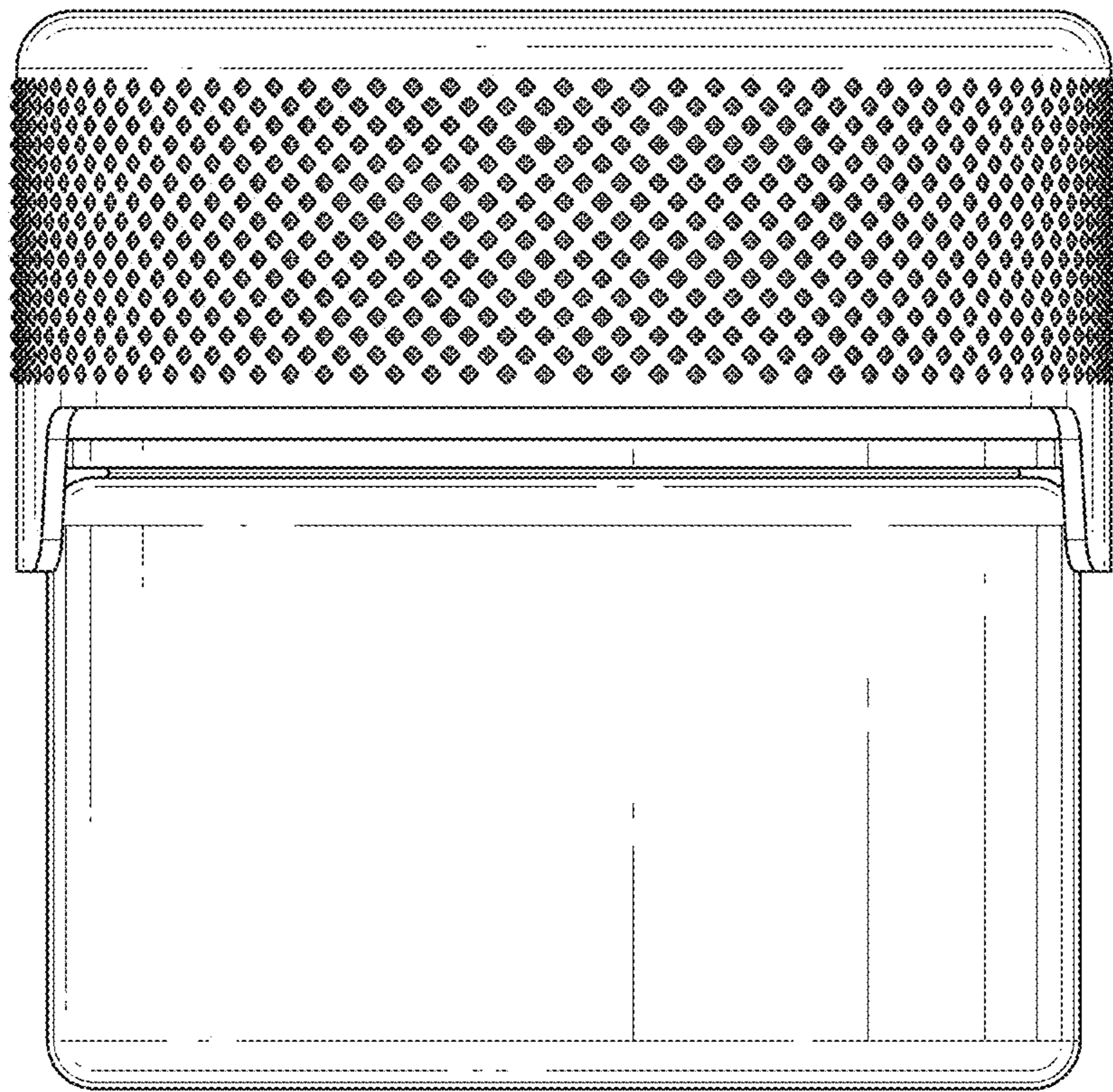


FIG. 14

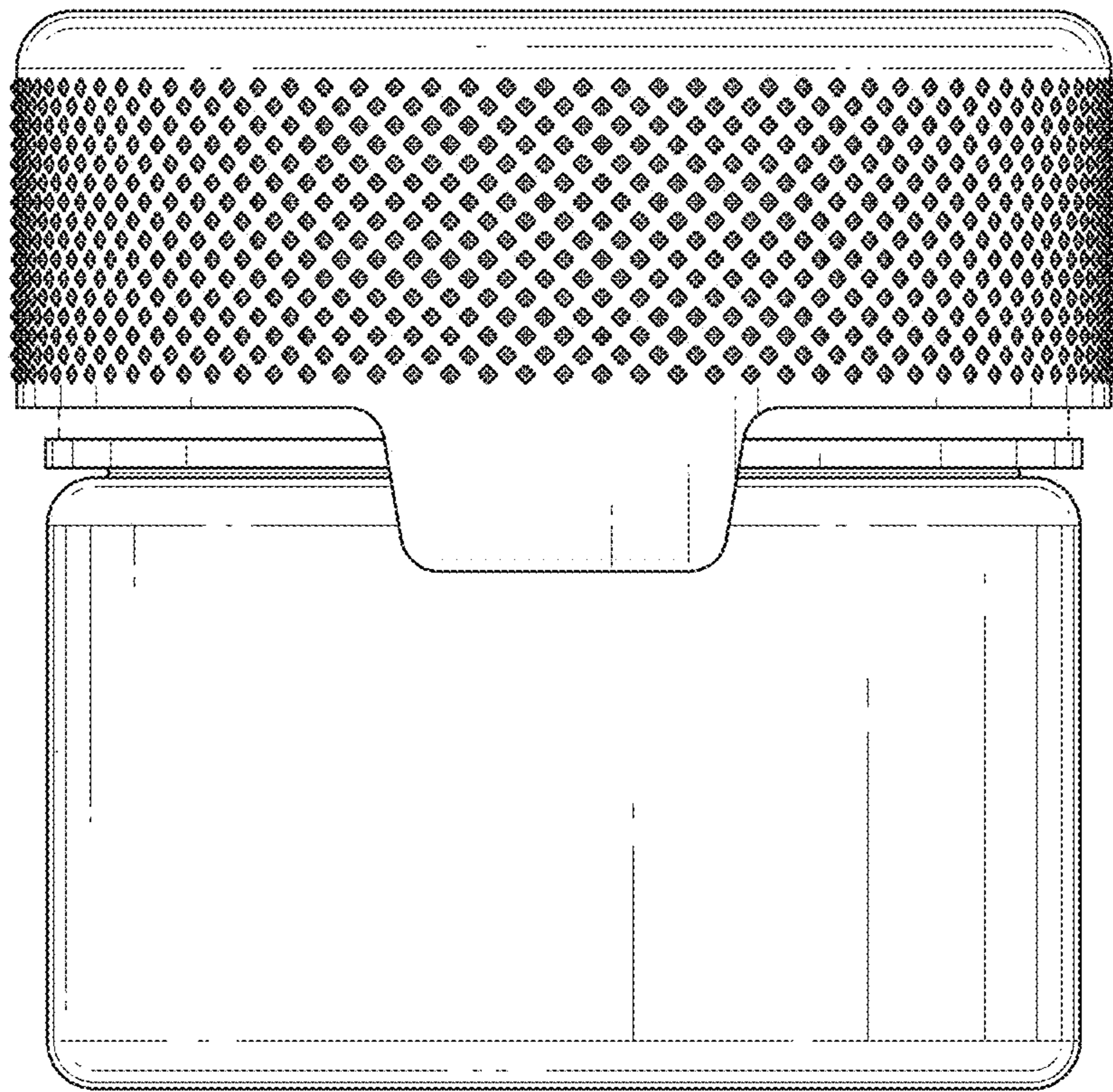


FIG. 15

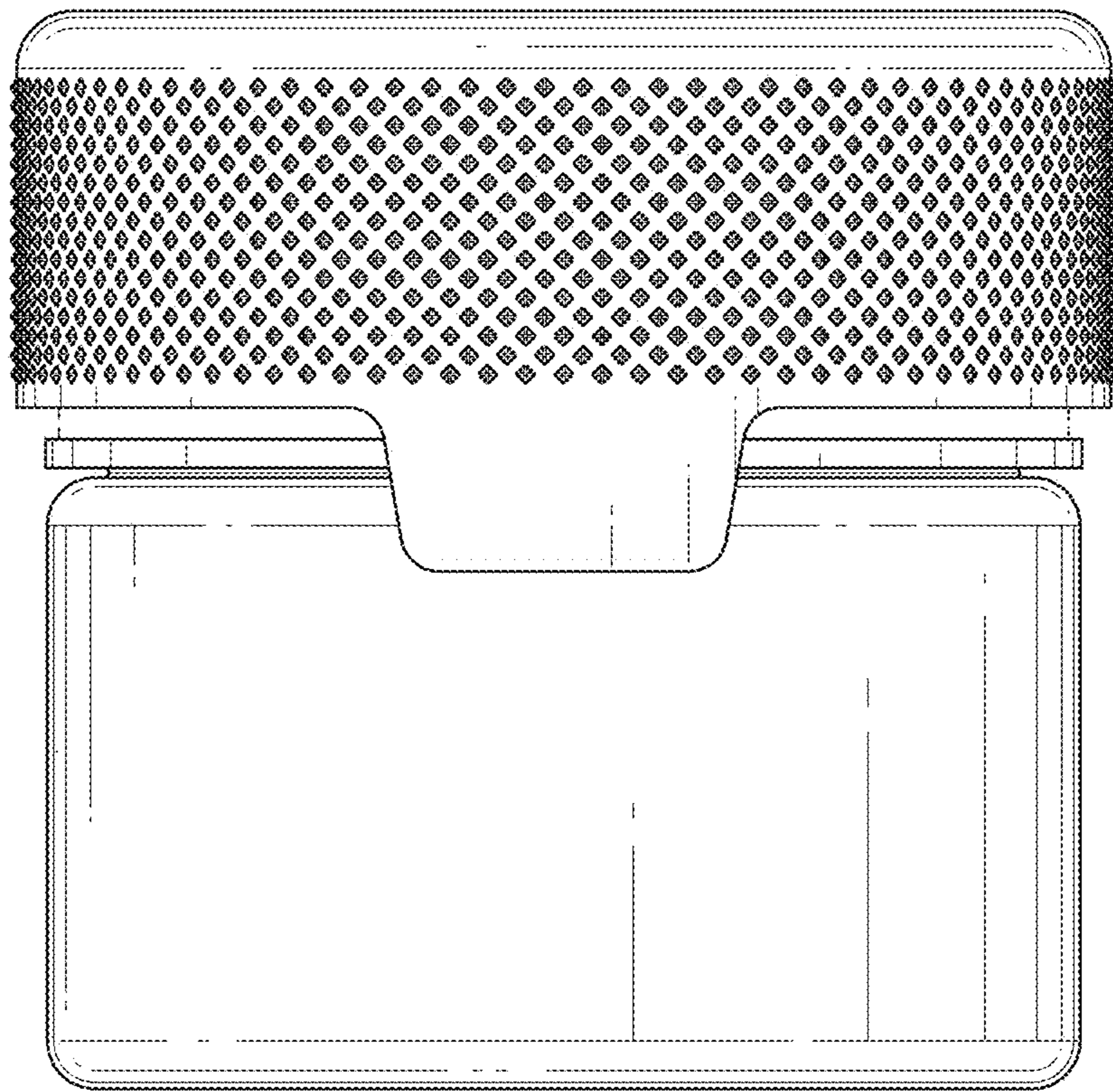


FIG. 16

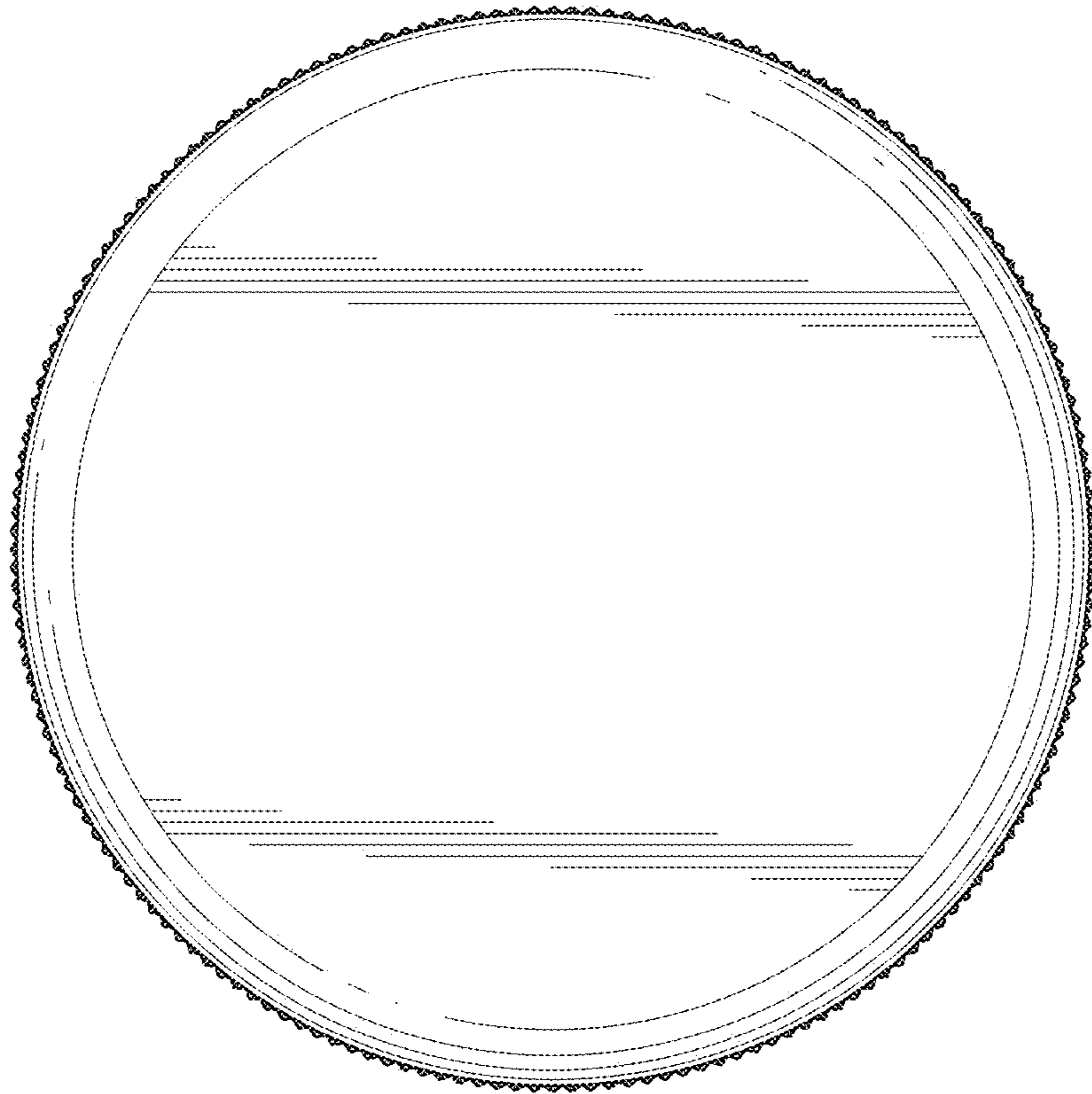


FIG. 17

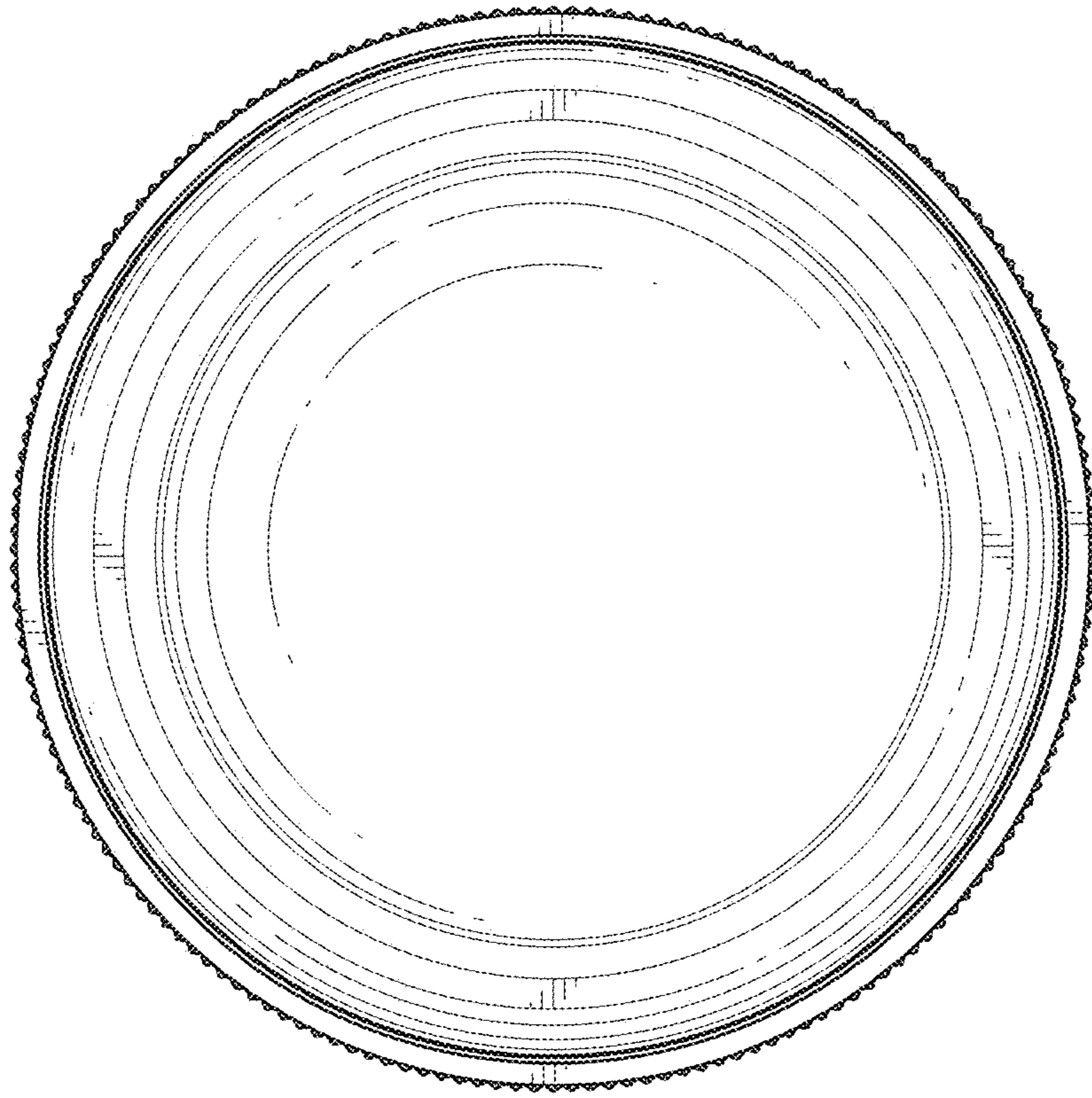


FIG. 18

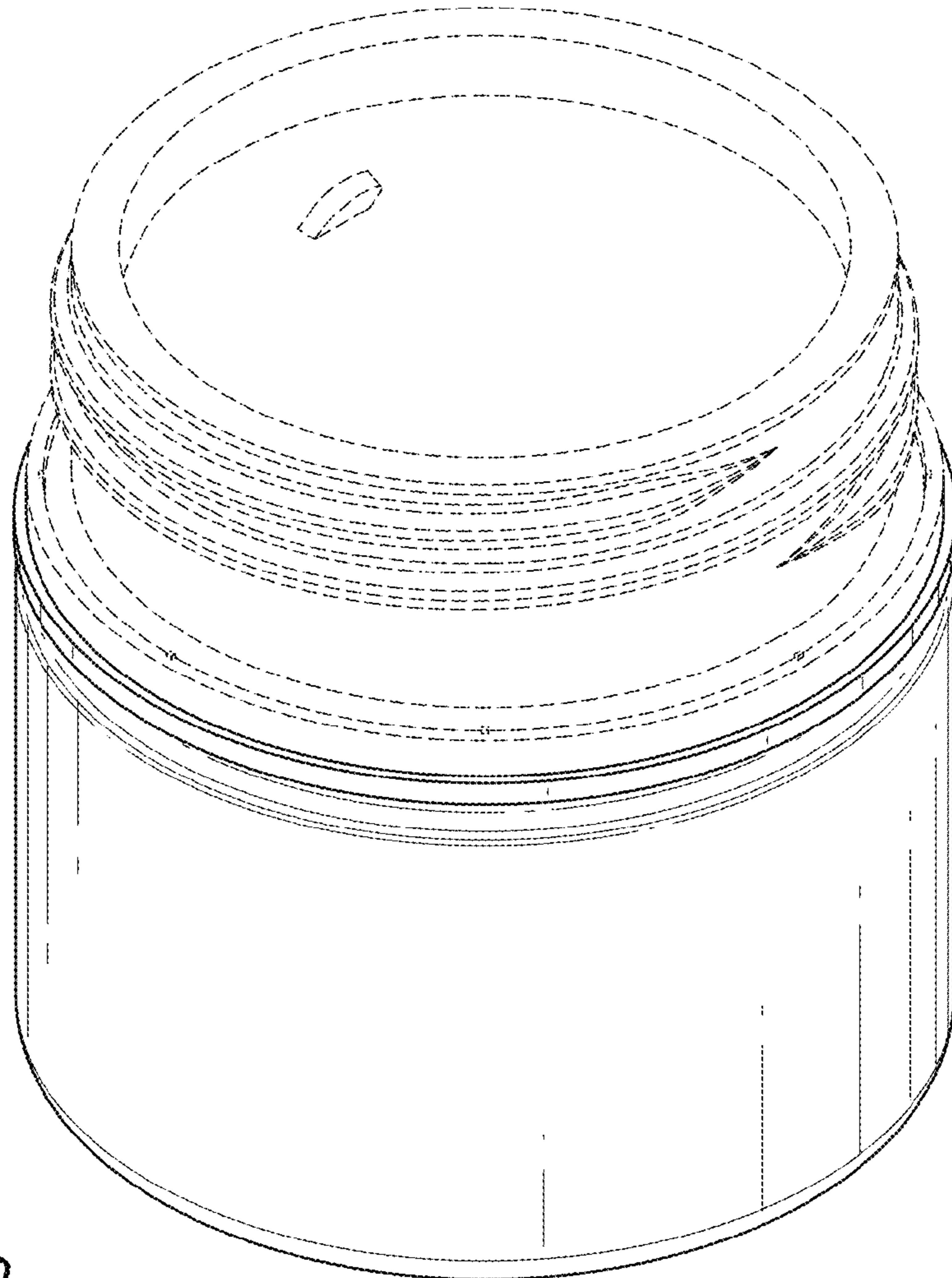
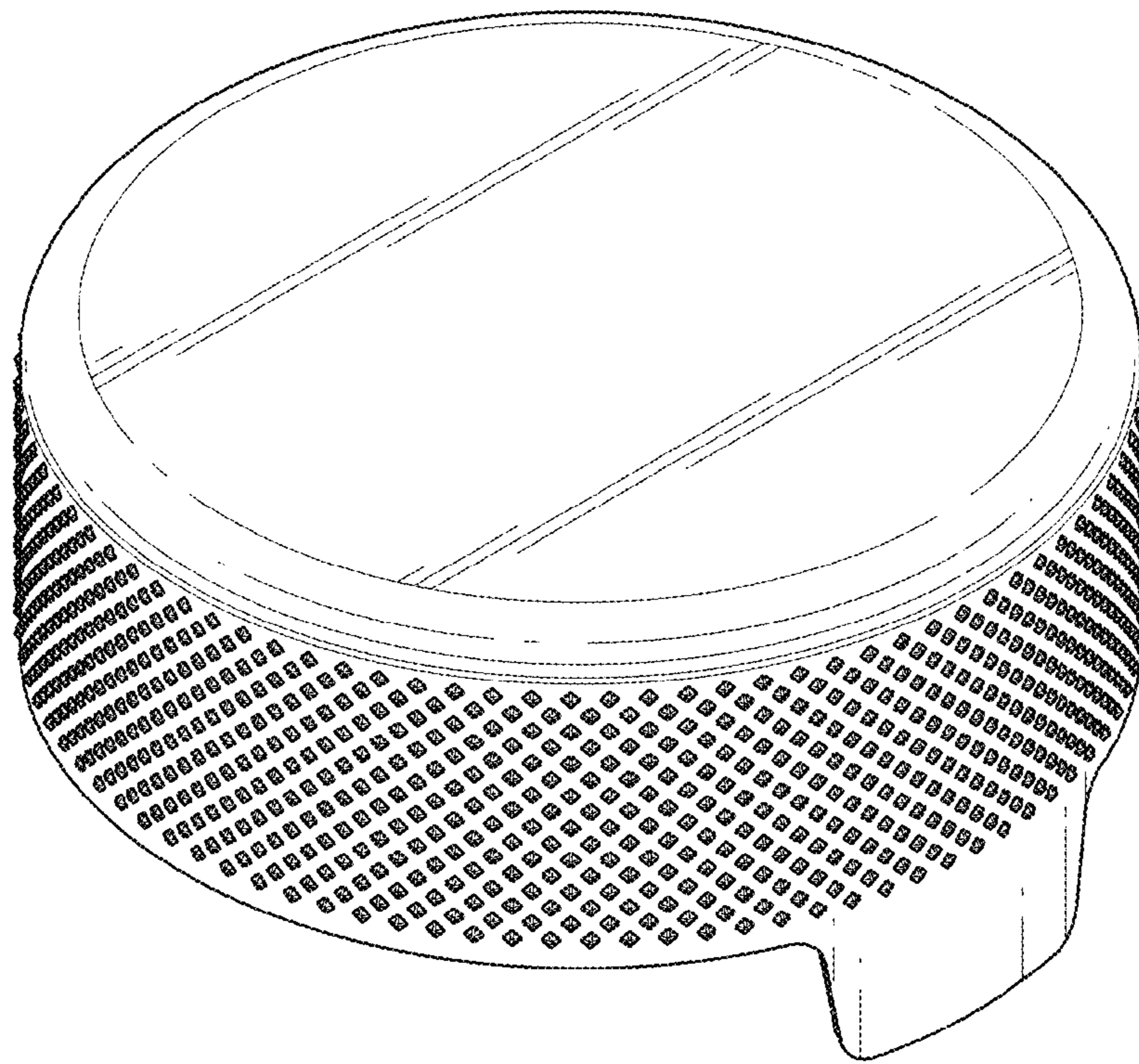


FIG. 19

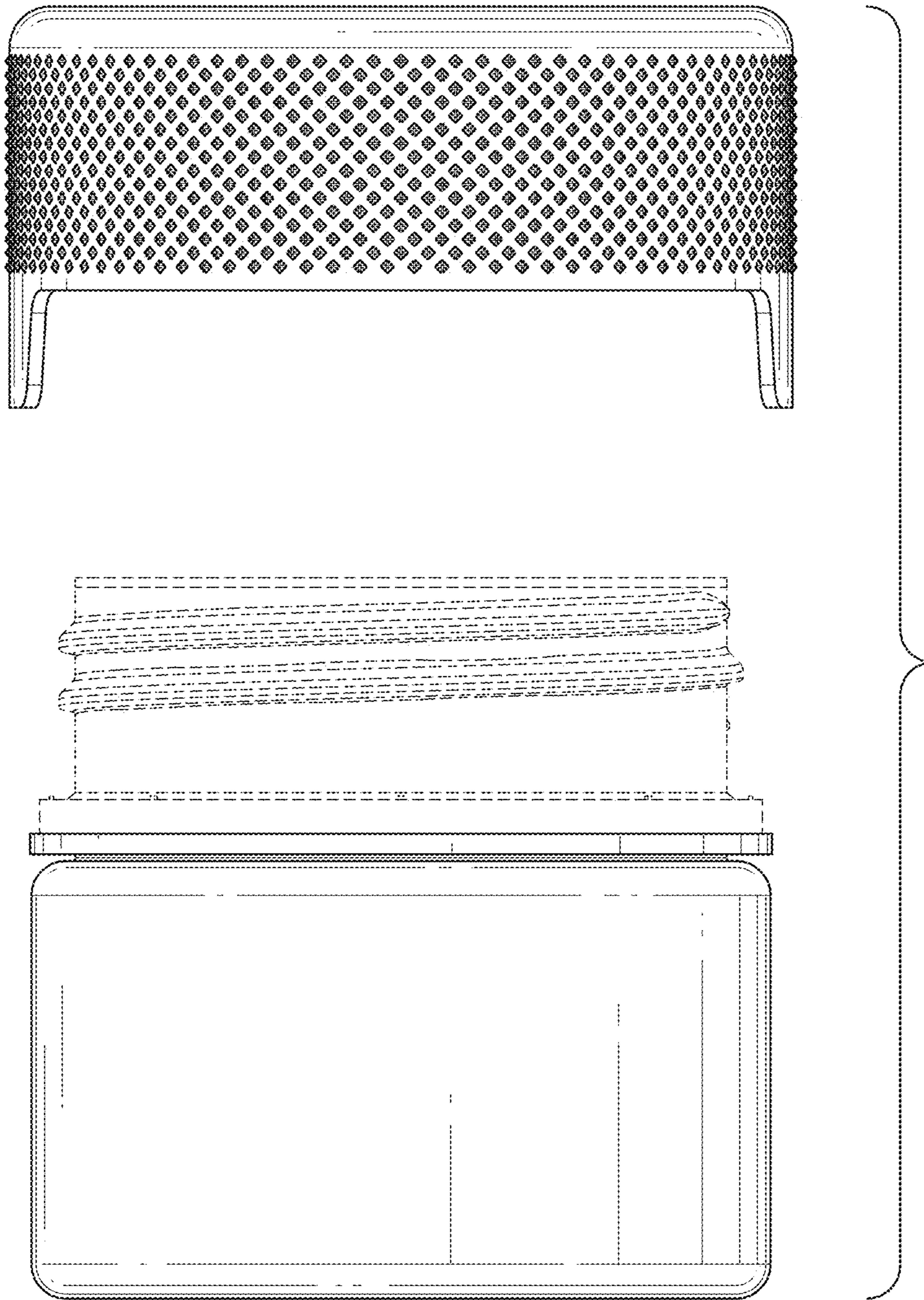


FIG. 20

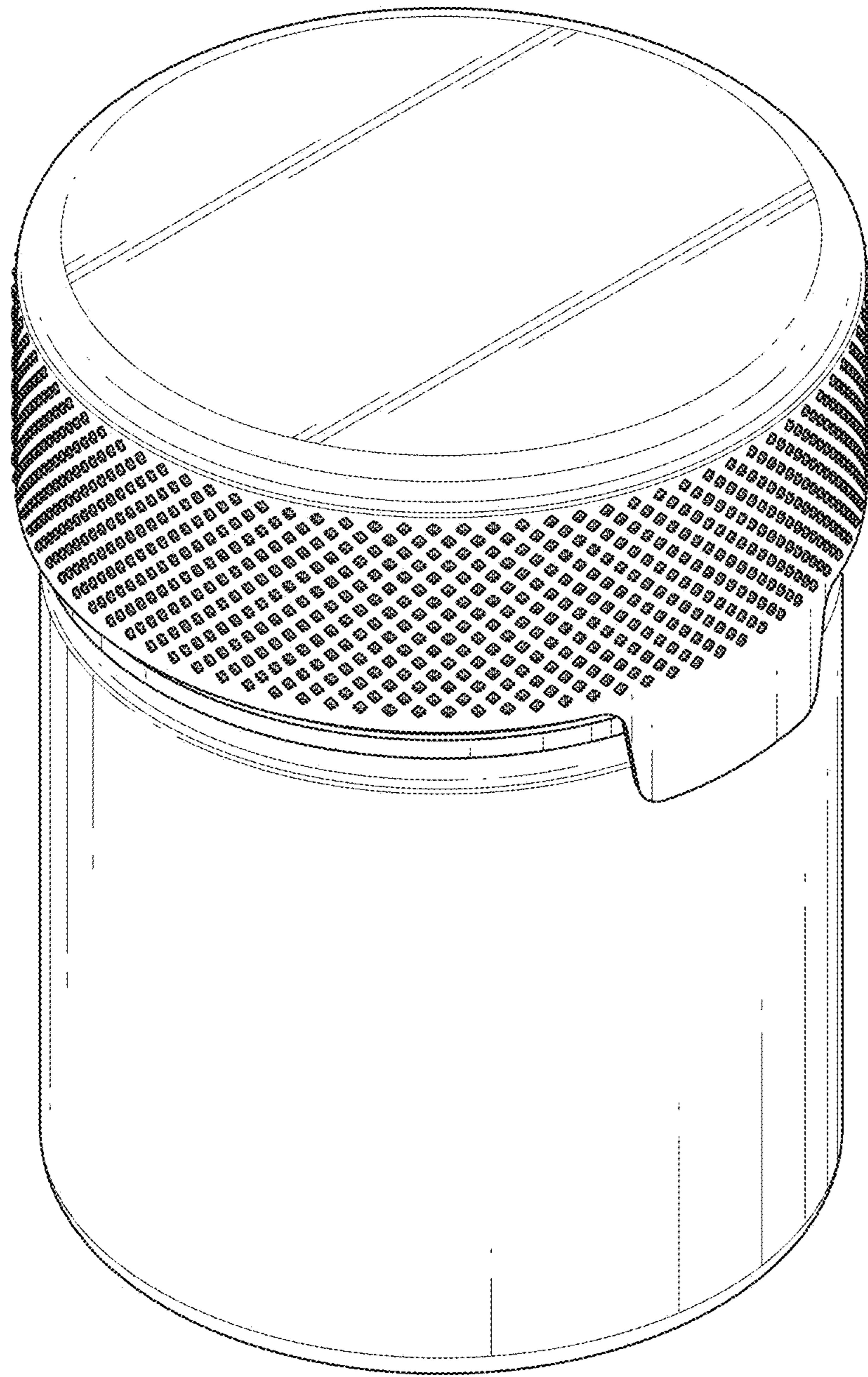


FIG. 21

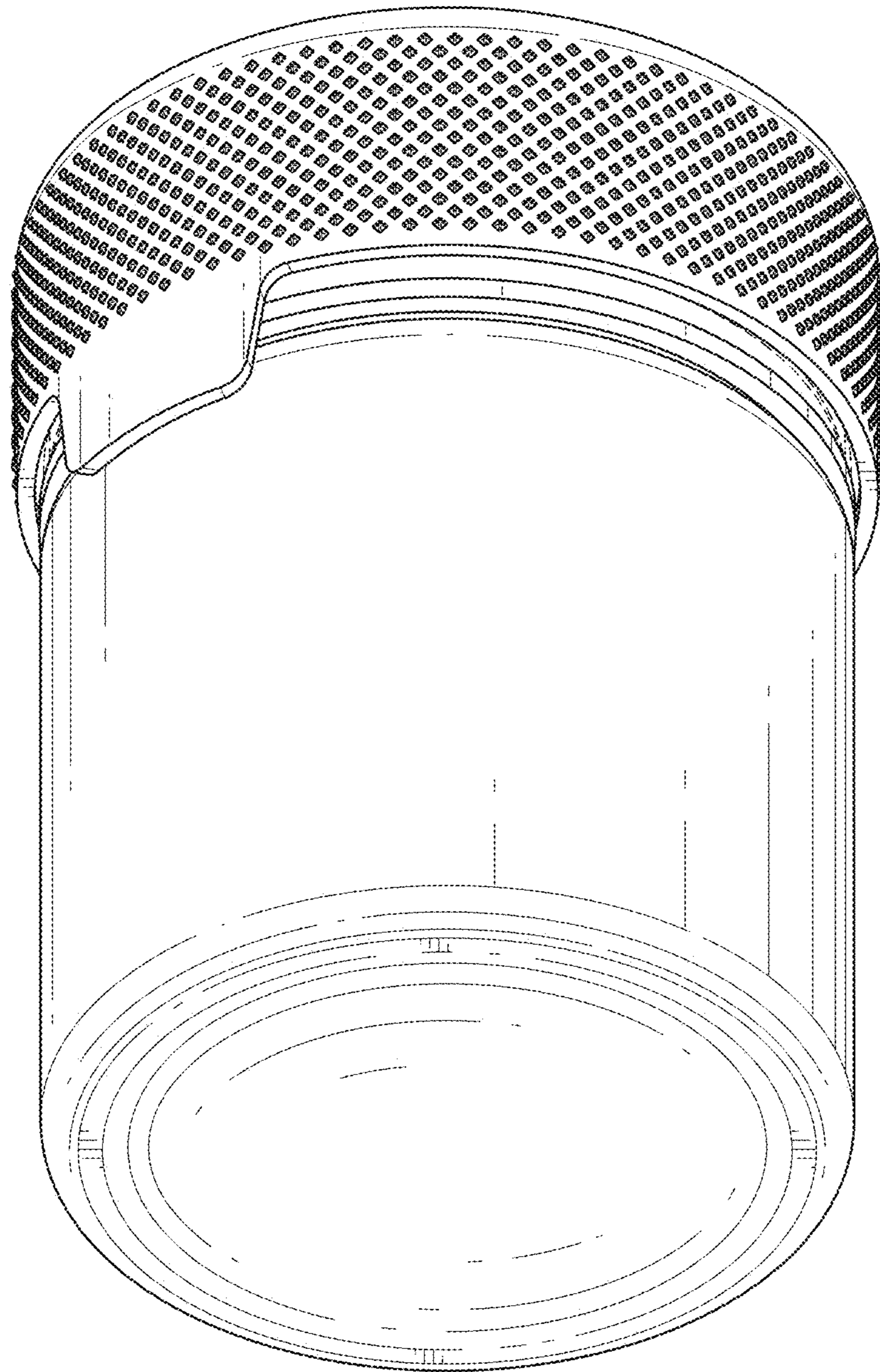


FIG. 22

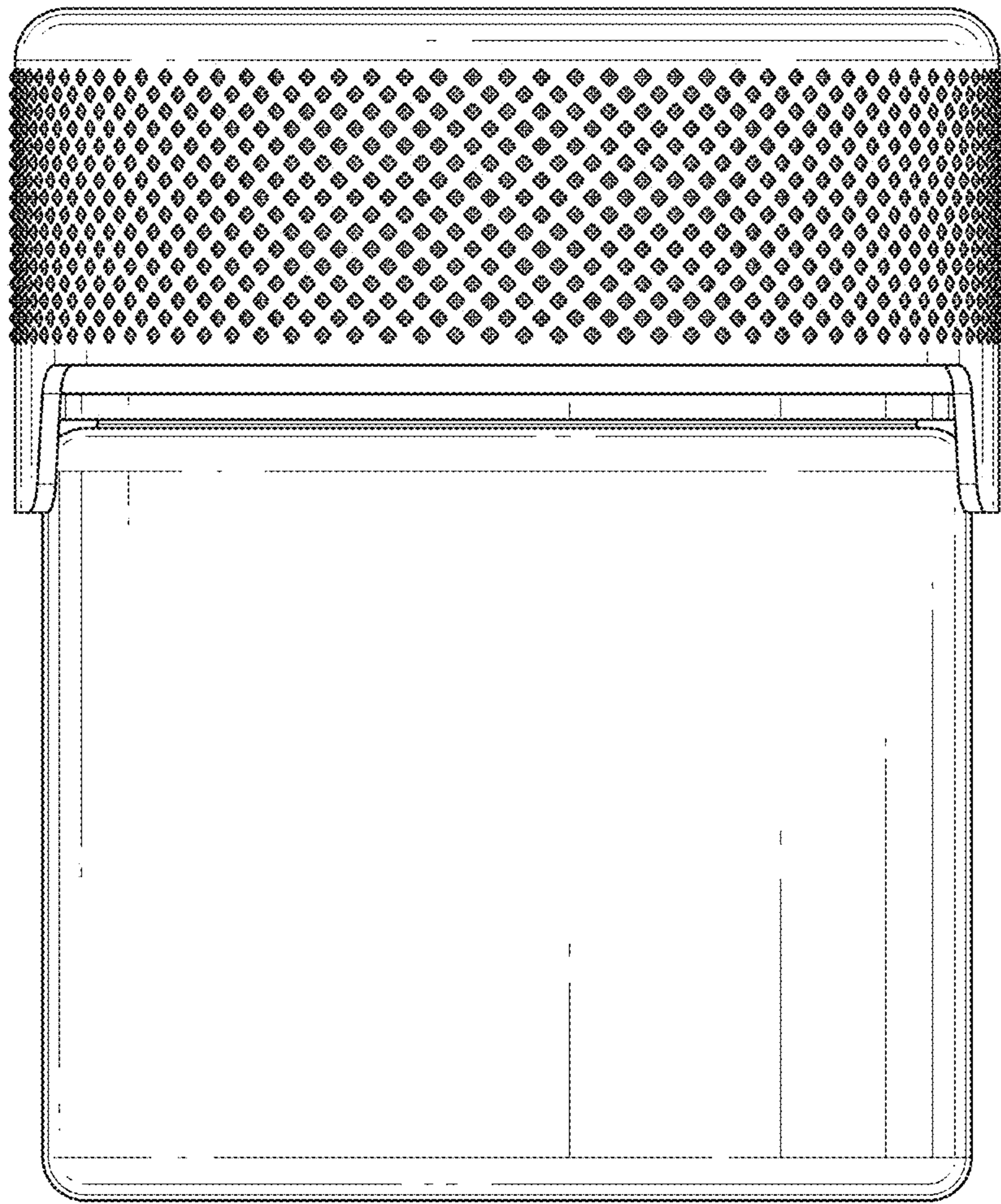


FIG. 23

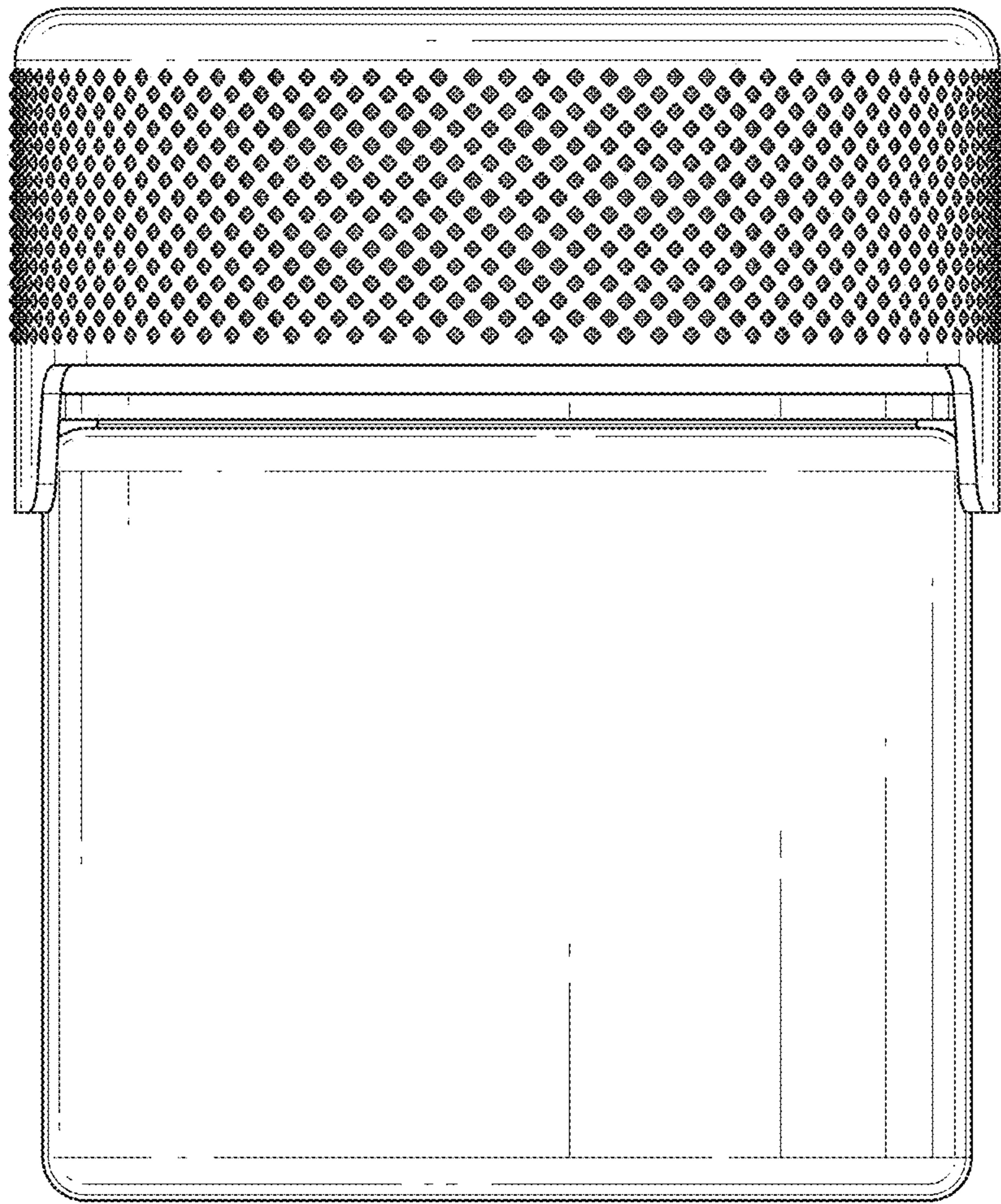


FIG. 24

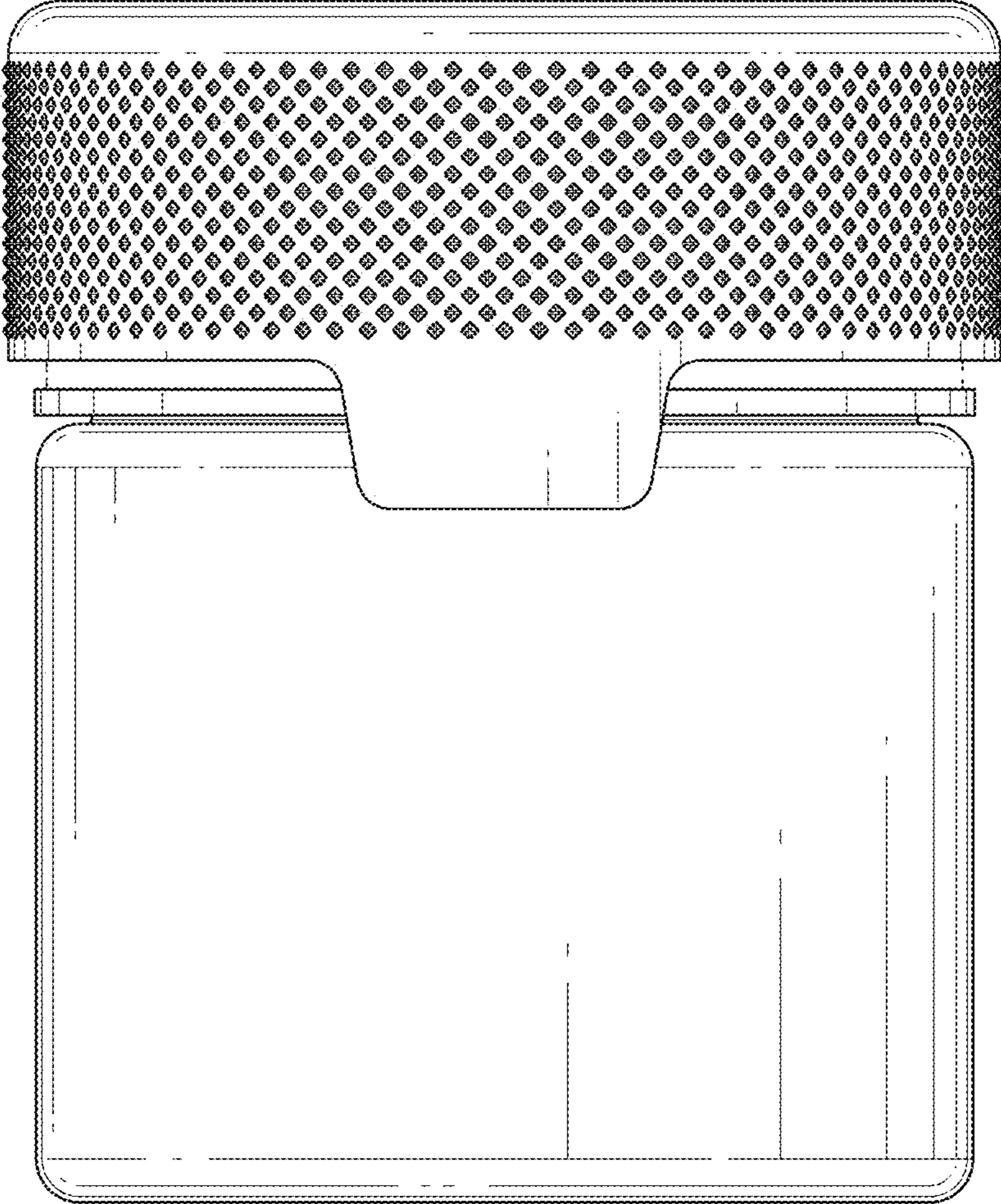


FIG. 25

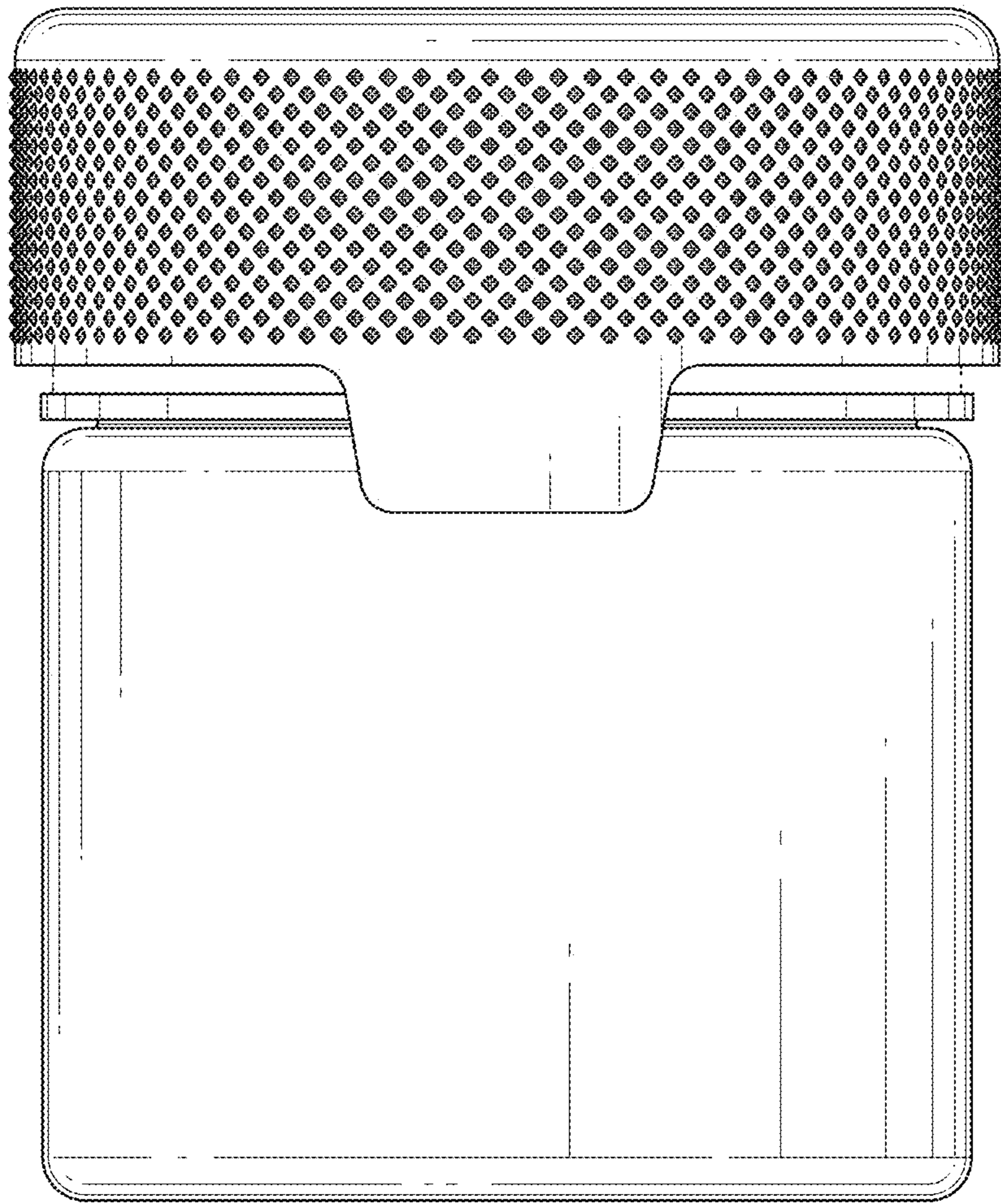


FIG. 26

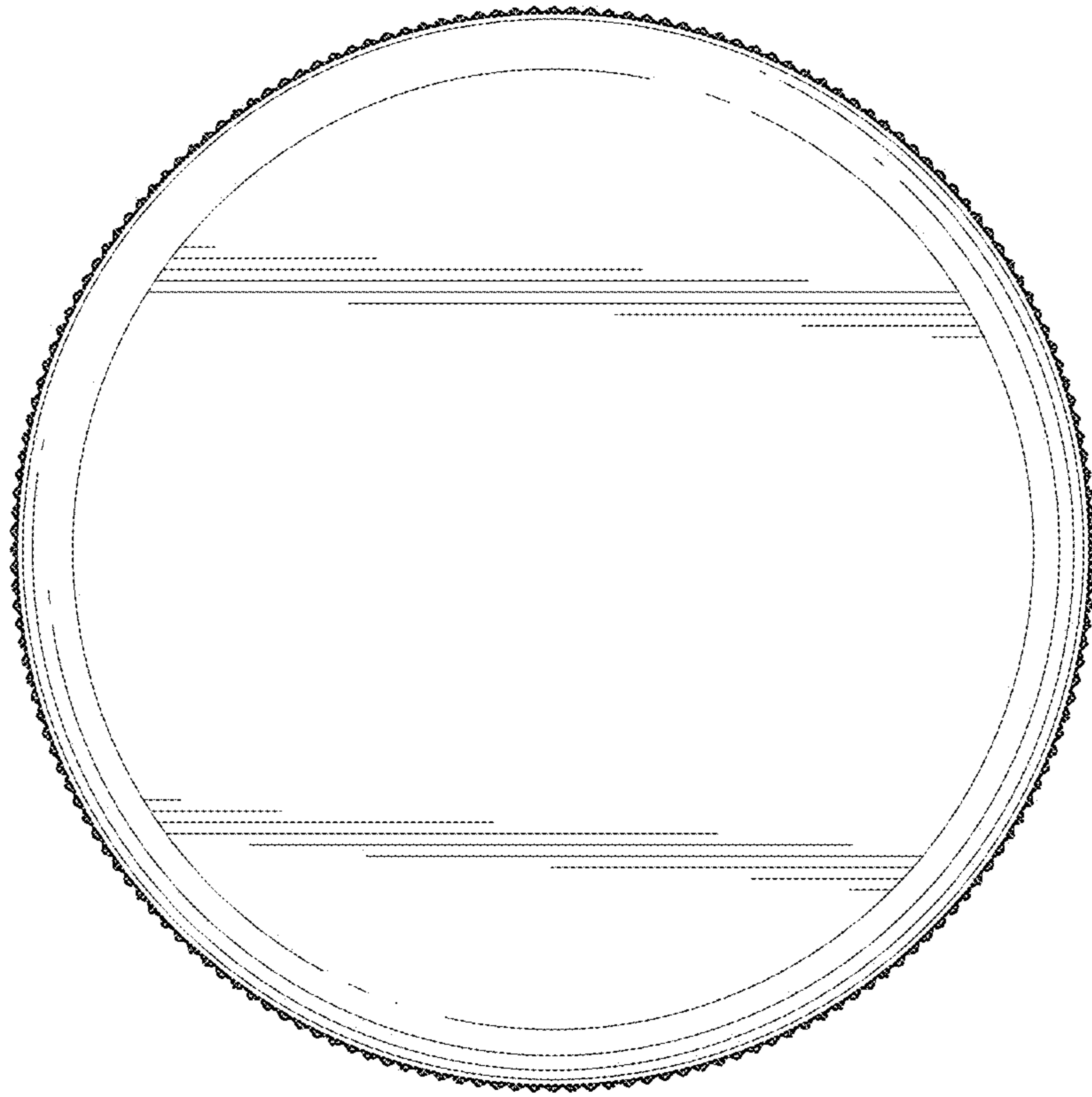


FIG. 27

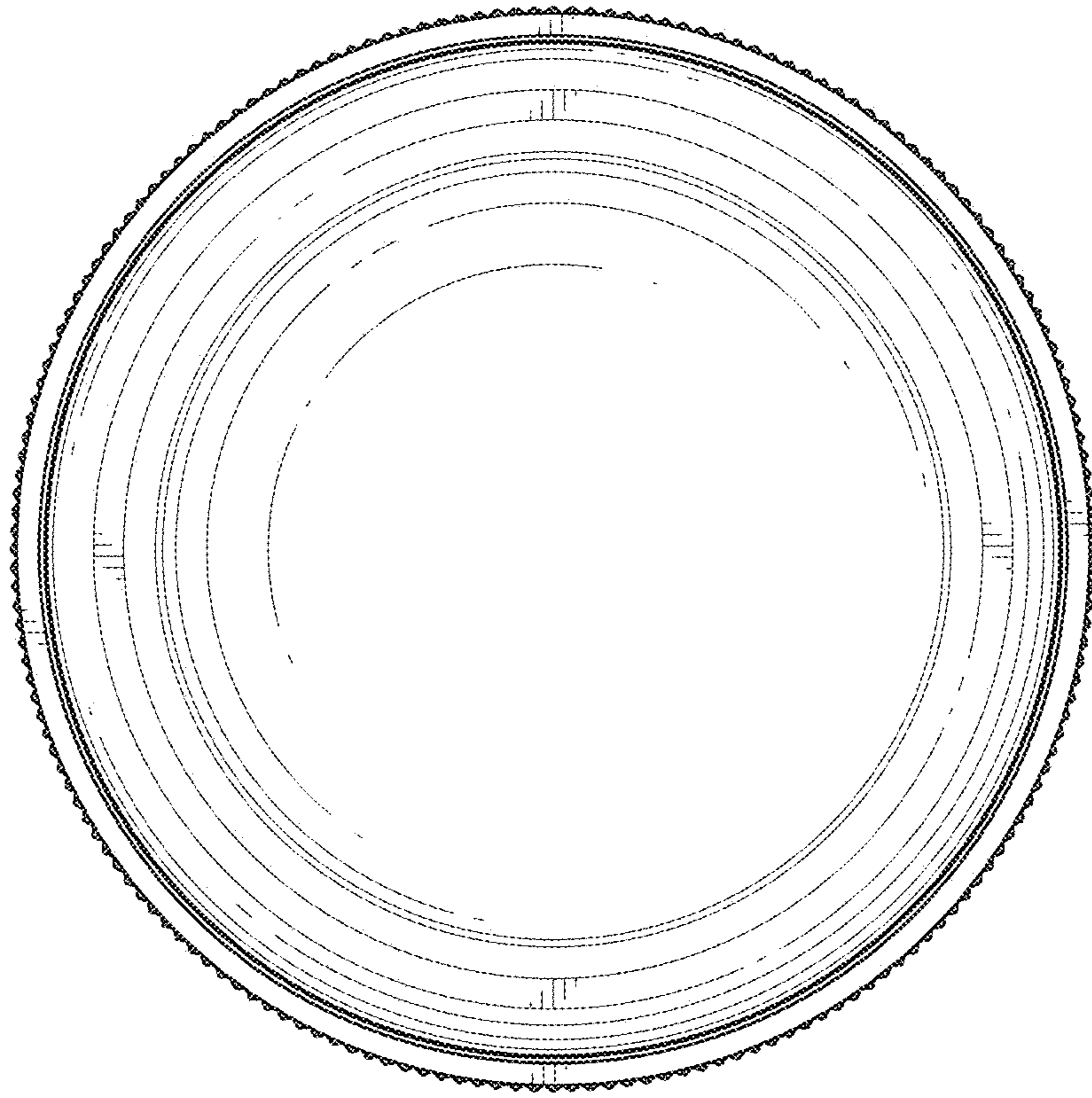


FIG. 28

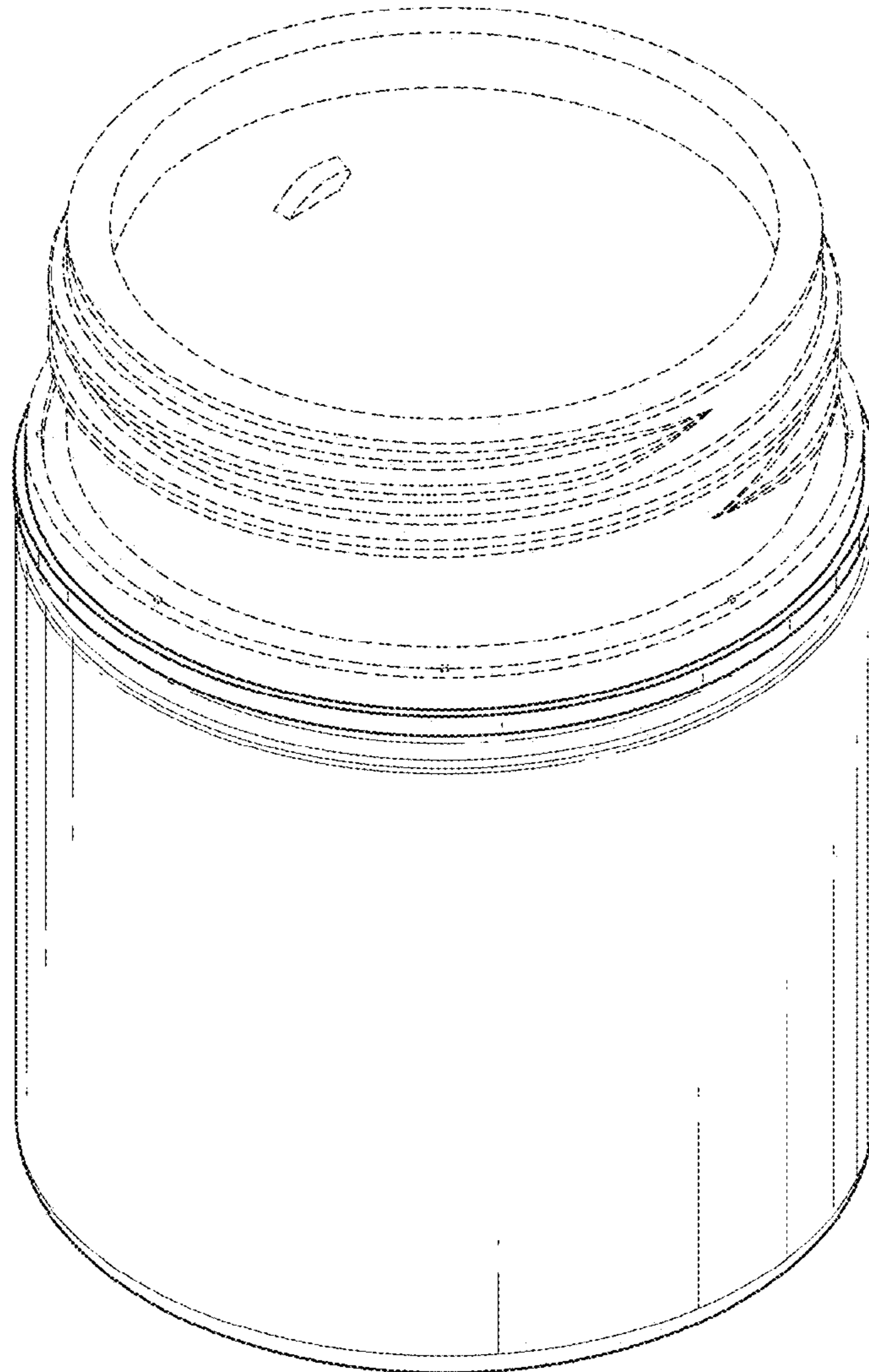
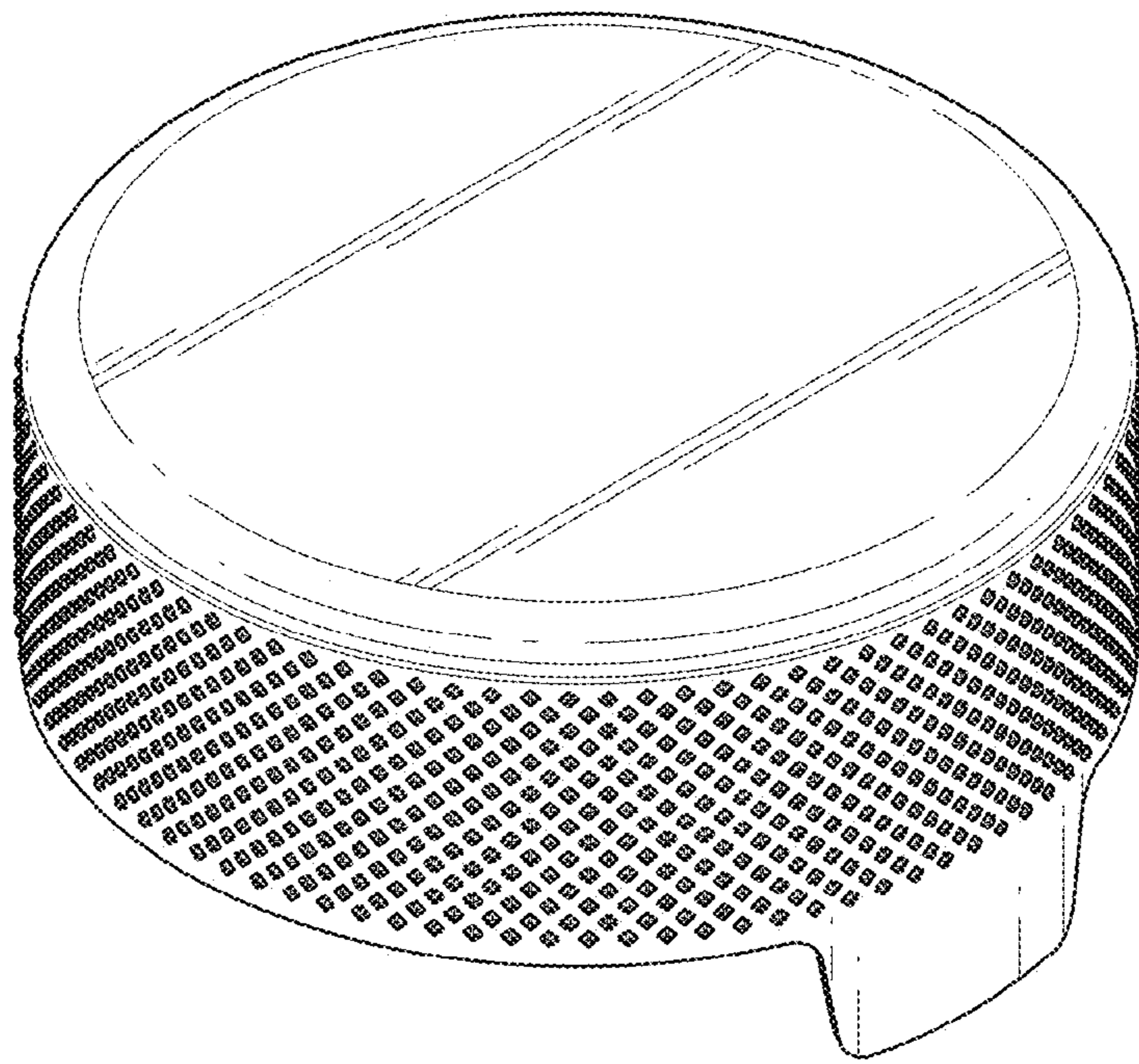


FIG. 29

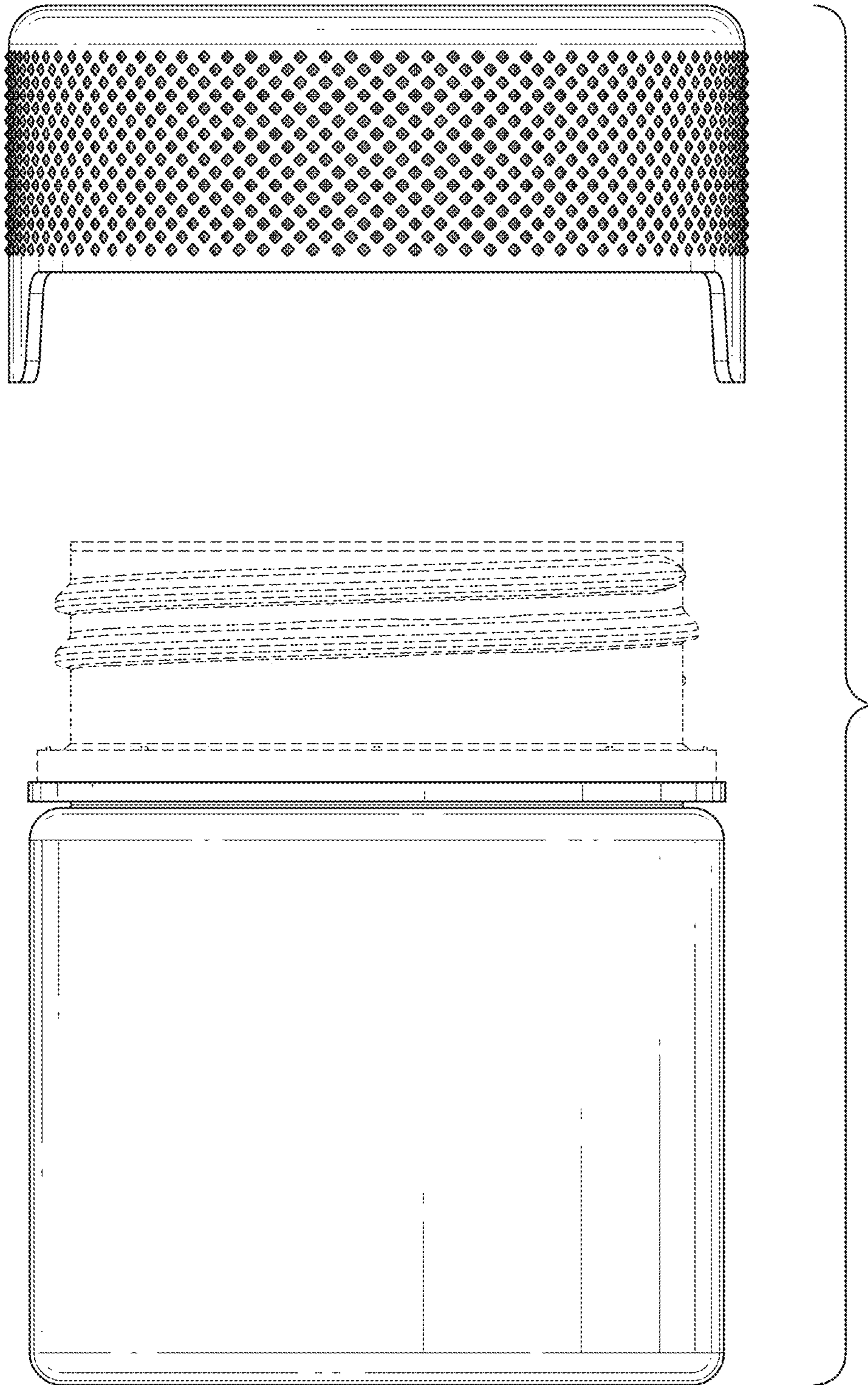


FIG. 30

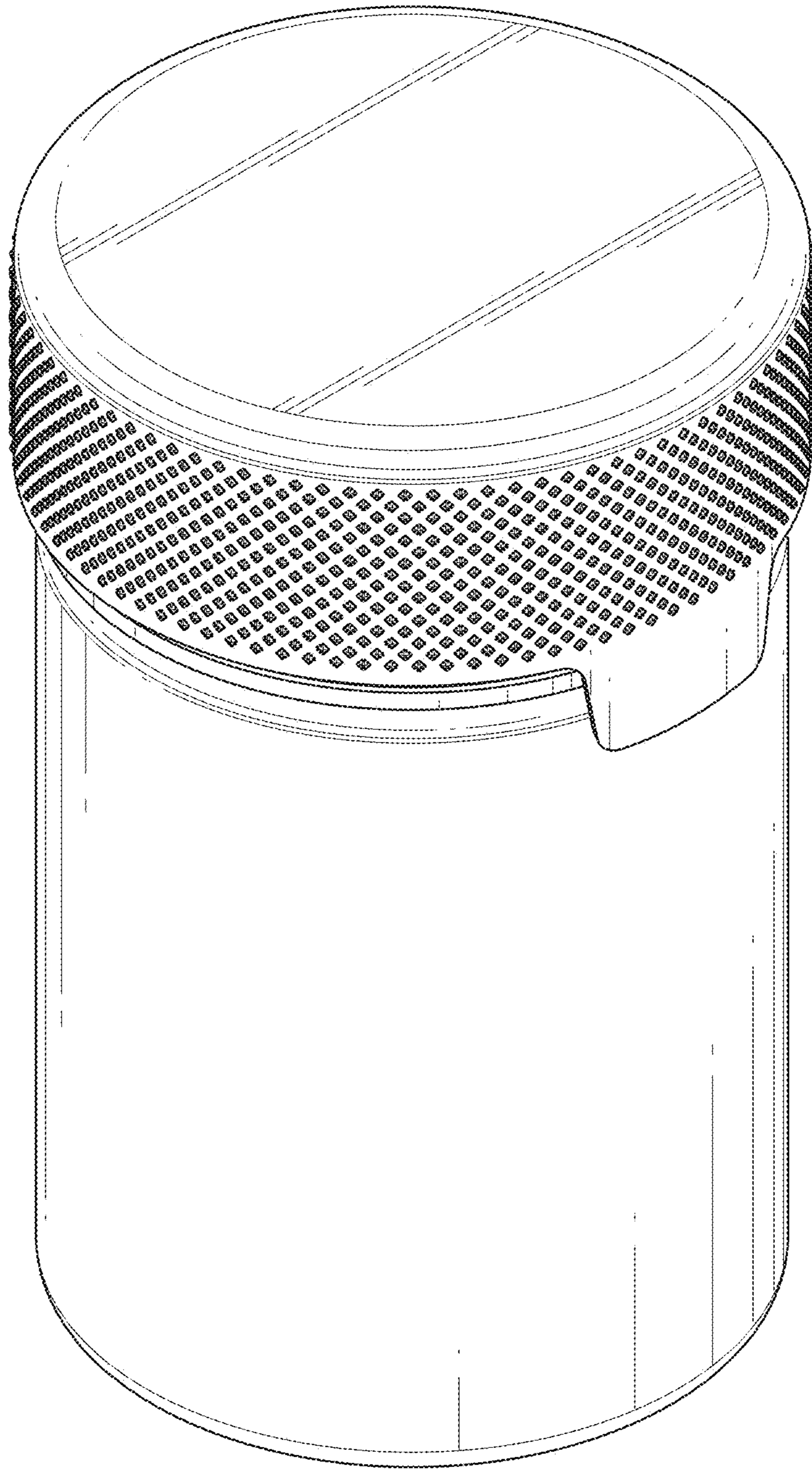


FIG. 31

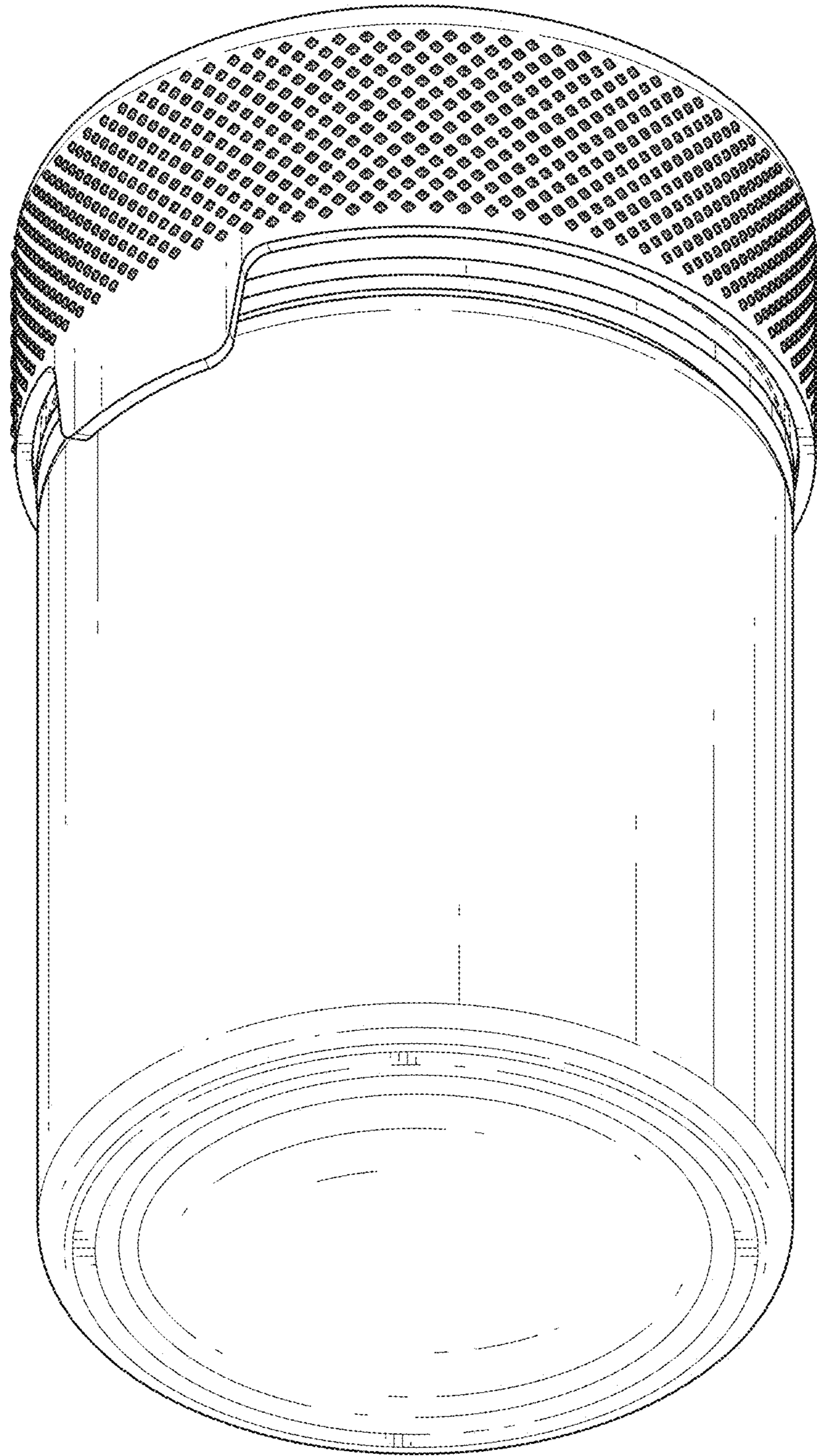


FIG. 32

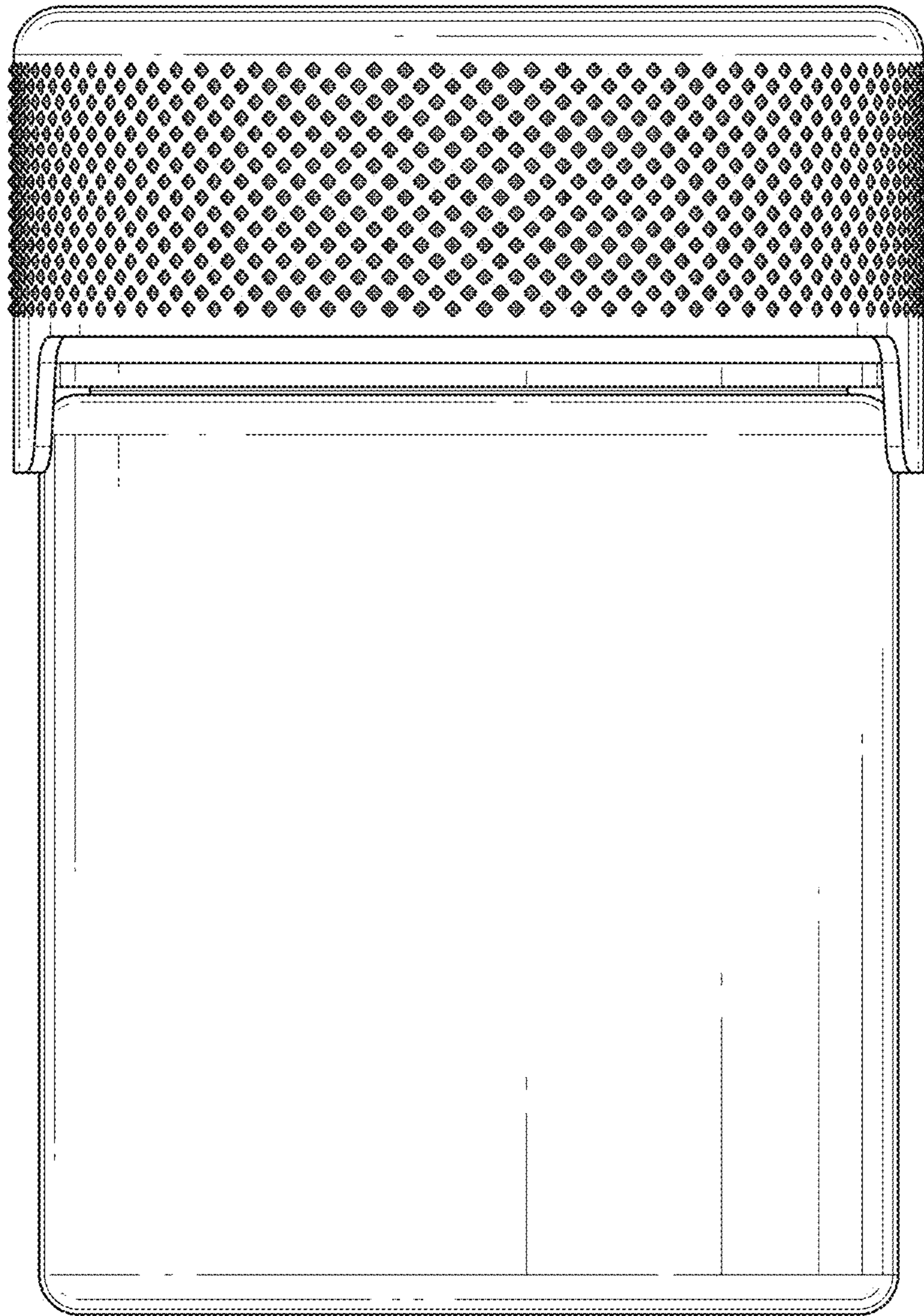


FIG. 33

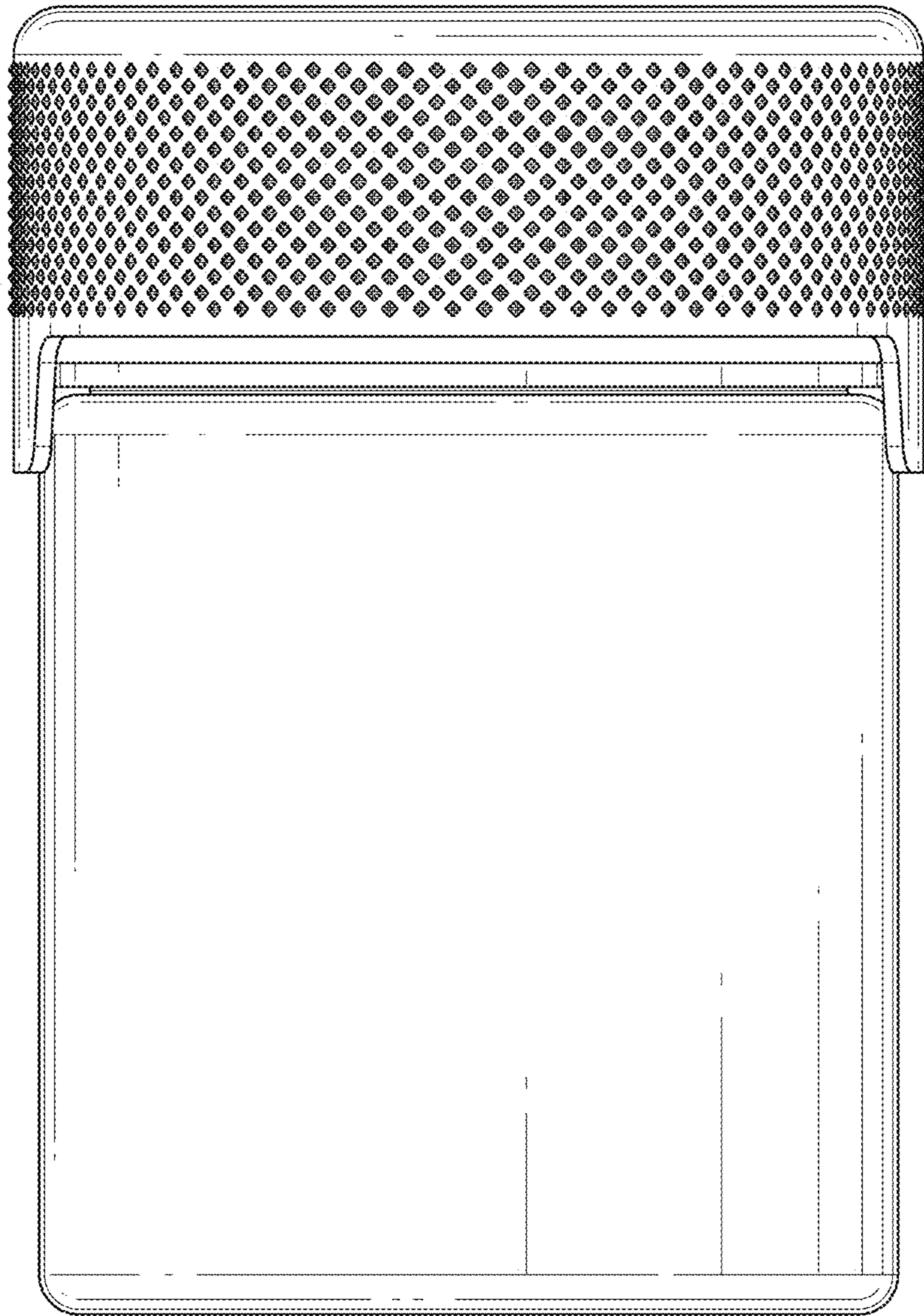


FIG. 34

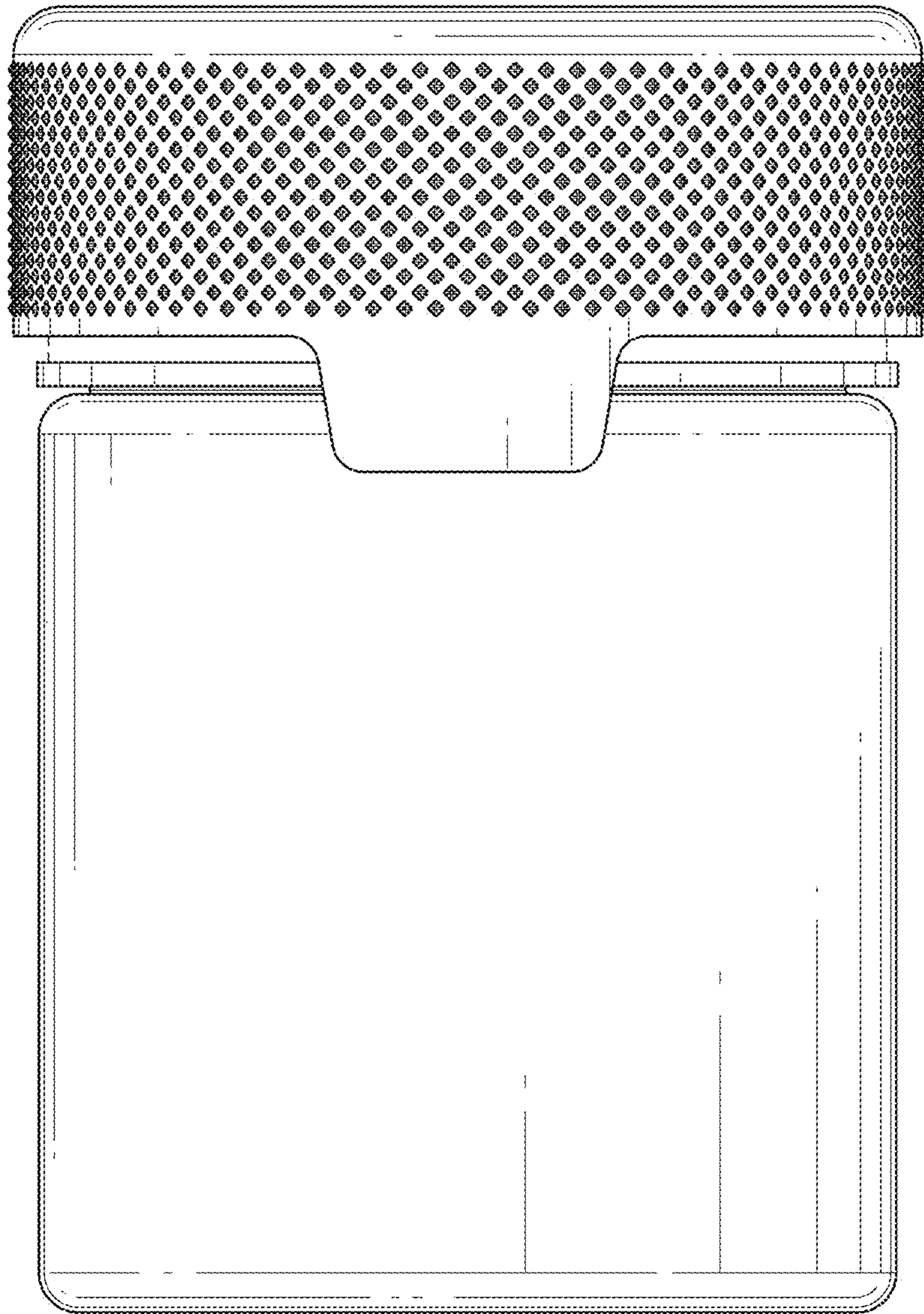


FIG. 35

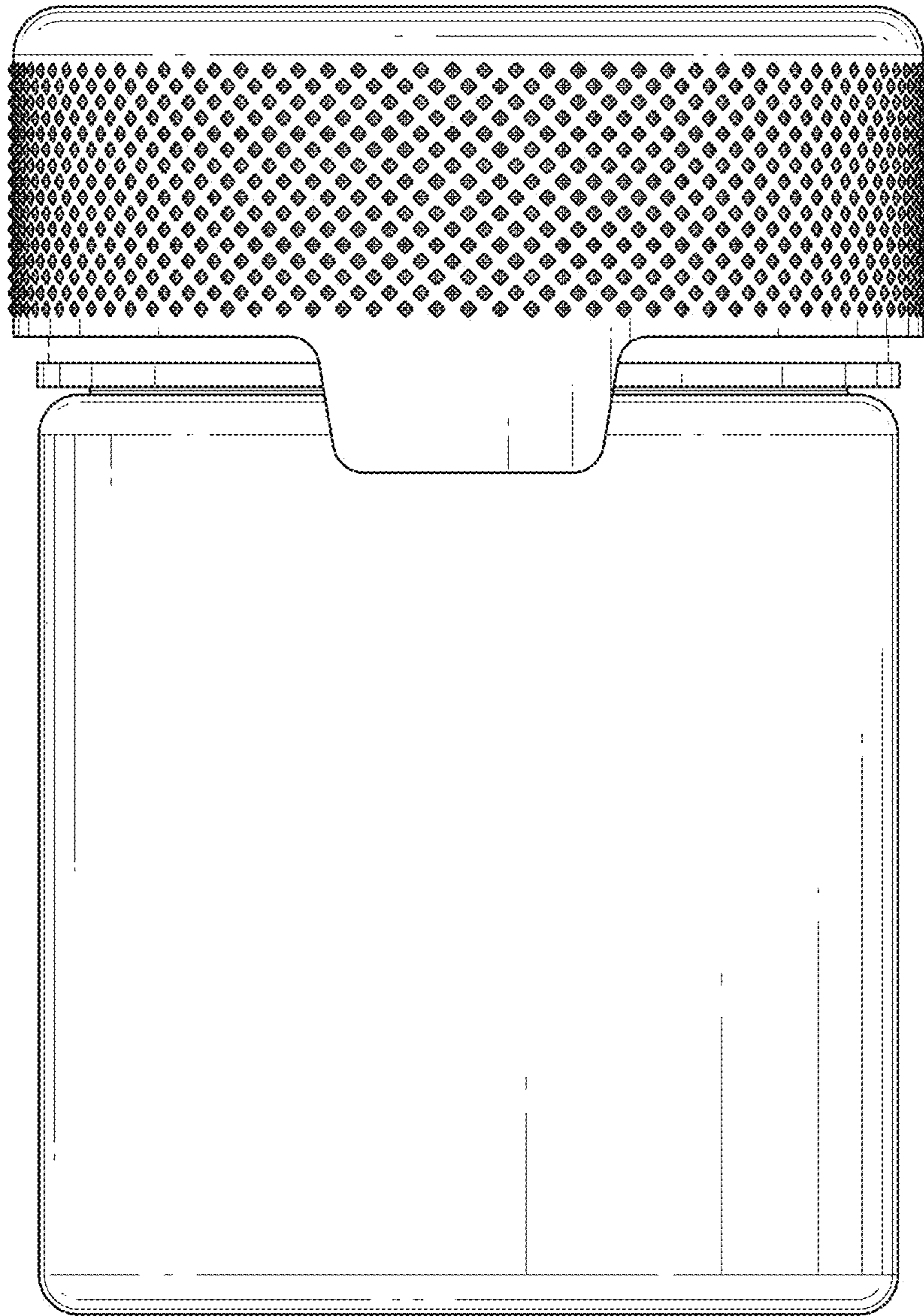


FIG. 36

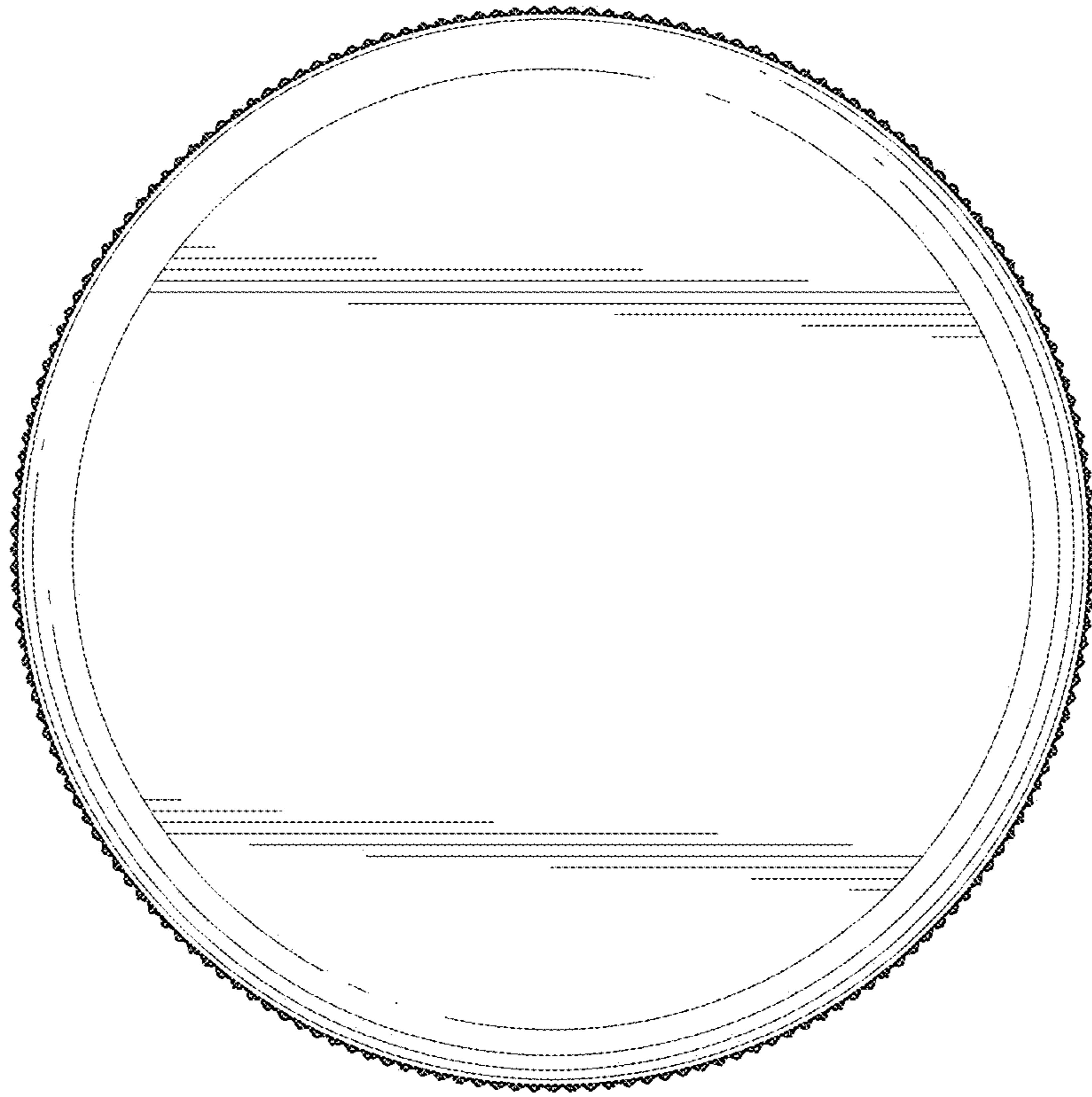


FIG. 37

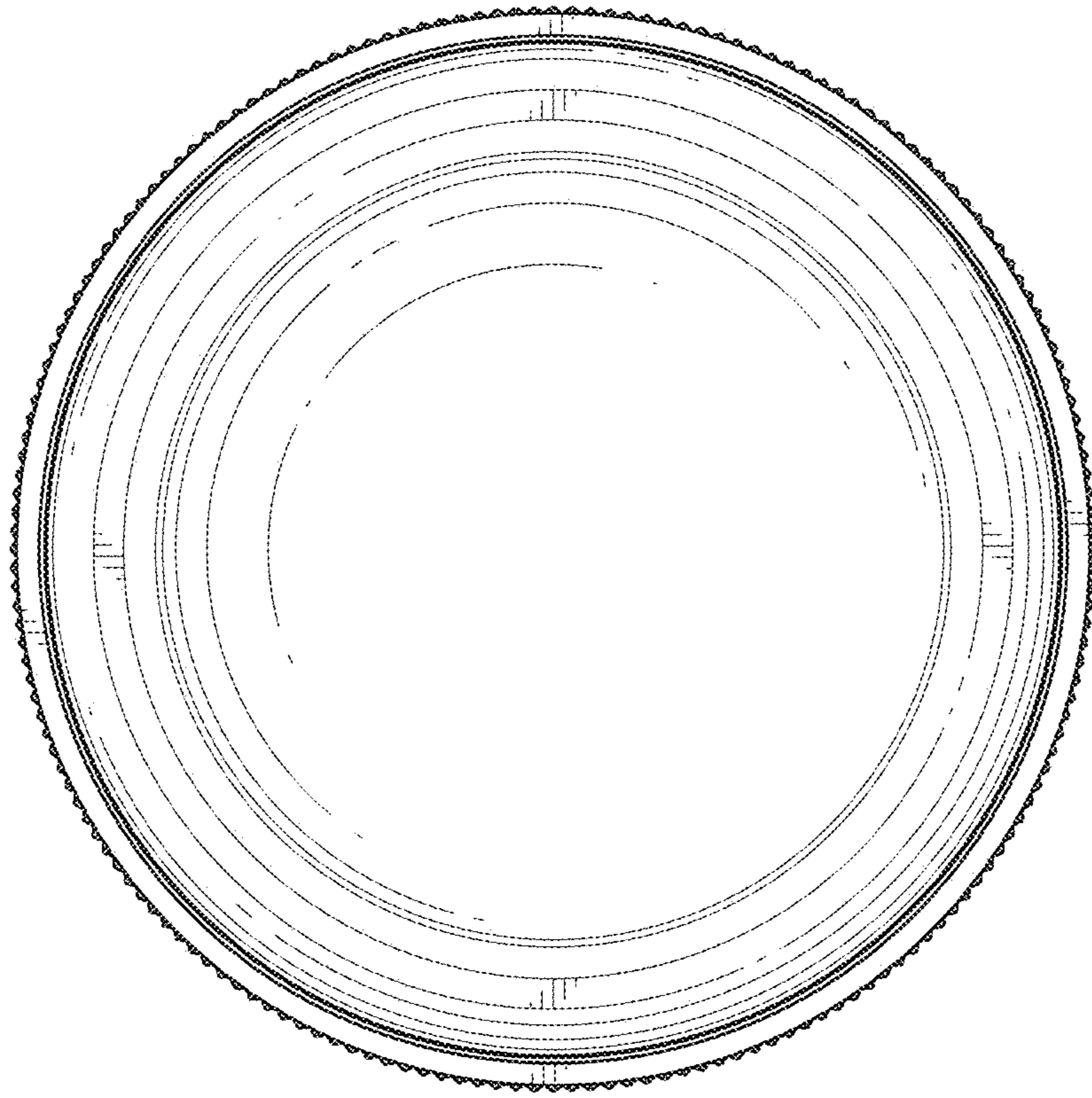


FIG. 38

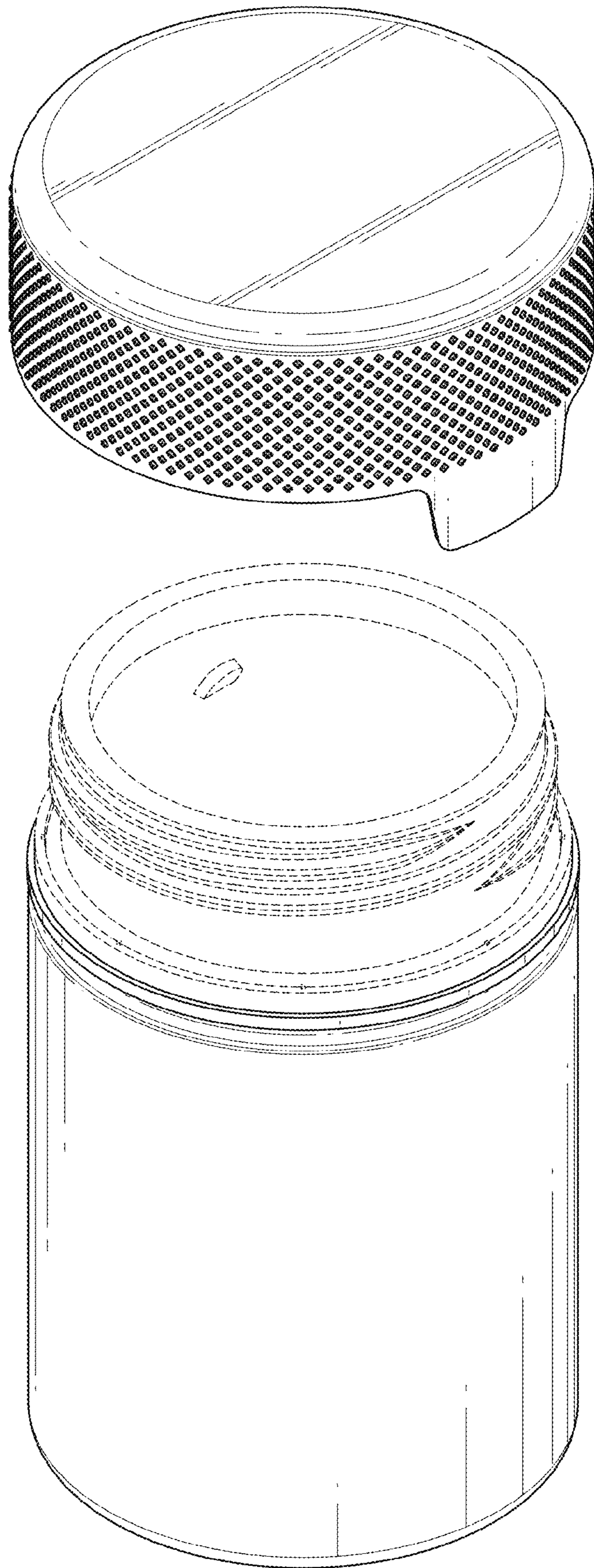


FIG. 39

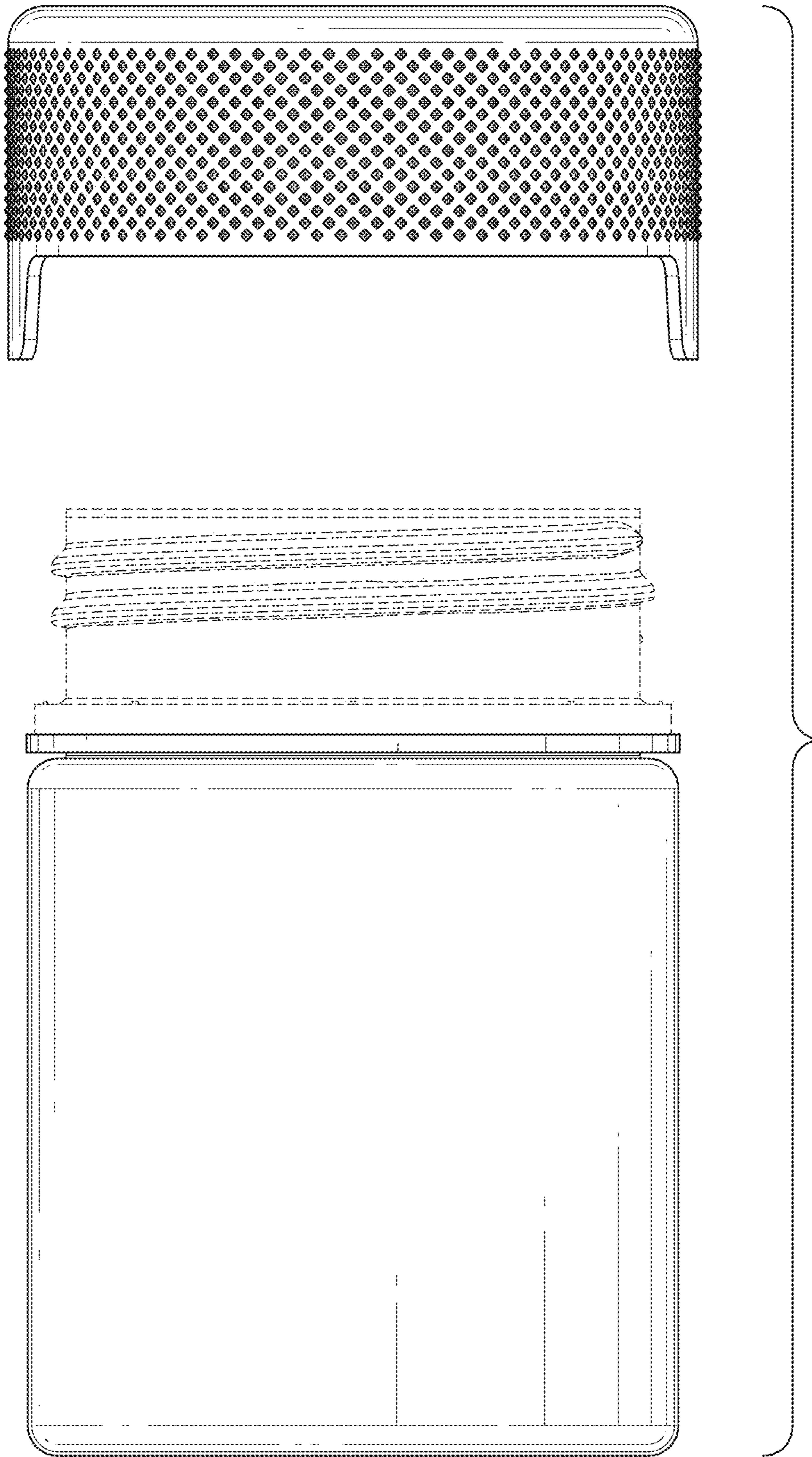


FIG. 40