



US00D907500S

(12) **United States Design Patent**
Aboabdo

(10) **Patent No.:** **US D907,500 S**
(45) **Date of Patent:** **** Jan. 12, 2021**

(54) **BOTTLE**

(71) Applicant: **Chubby Gorilla, Inc.**, Fullerton, CA (US)

(72) Inventor: **Ibrahiem H. Aboabdo**, Yorba Linda, CA (US)

(73) Assignee: **Chubby Gorilla, Inc.**, Fullerton, CA (US)

(**) Term: **15 Years**

(21) Appl. No.: **29/610,633**

(22) Filed: **Jul. 13, 2017**

(51) **LOC (13) Cl.** **09-01**

(52) **U.S. Cl.**
USPC **D9/503; D9/726**

(58) **Field of Classification Search**
USPC D9/442, 503, 695-699, 702-714,
D9/723-729; D24/199; D28/7;
(Continued)

(56) **References Cited**

U.S. PATENT DOCUMENTS

D199,545 S 11/1964 Torongo et al.
3,398,848 A 8/1968 Donovan
(Continued)

FOREIGN PATENT DOCUMENTS

JP 1362412 6/2009
JP 1429123 12/2011
(Continued)

OTHER PUBLICATIONS

Chubby Gorilla Unicorn Bottles, announced Sep. 30, 2016, [online], site visited Sep. 3, 2020. Available from Internet, URL: <http://www.amazon.com> (Year: 2016).*

(Continued)

Primary Examiner — Janice Patyk

(74) *Attorney, Agent, or Firm* — Knobbe Martens Olson & Bear, LLP

(57) **CLAIM**

The ornamental design for a bottle, as shown and described.

DESCRIPTION

FIG. 1 is a top perspective view of a first embodiment of a bottle, showing my new design.
FIG. 2 is a front view thereof.
FIG. 3 is a rear view thereof.
FIG. 4 is a first side view thereof.
FIG. 5 is a second side view thereof.
FIG. 6 is a top view thereof.
FIG. 7 is a bottom view thereof.
FIG. 8 is an exploded top perspective view thereof.
FIG. 9 is an exploded front view thereof.
FIG. 10 is a cross-sectional view thereof, taken along line 10-10 of FIG. 1, shown in enlarged scale.
FIG. 11 is a top perspective view of a second embodiment of a bottle, showing my new design.
FIG. 12 is a front view thereof.
FIG. 13 is a rear view thereof.
FIG. 14 is a first side view thereof.
FIG. 15 is a second side view thereof.
FIG. 16 is a top view thereof.
FIG. 17 is a bottom view thereof.
FIG. 18 is an exploded top perspective view thereof.
FIG. 19 is an exploded front view thereof.
FIG. 20 is a cross-sectional view thereof, taken along line 20-20 of FIG. 11, shown in enlarged scale.
FIG. 21 is a top perspective view of a third embodiment of a bottle, showing my new design.
FIG. 22 is a front view thereof.
FIG. 23 is a rear view thereof.
FIG. 24 is a first side view thereof.
FIG. 25 is a second side view thereof.
FIG. 26 is a top view thereof.
FIG. 27 is a bottom view thereof.
FIG. 28 is an exploded top perspective view thereof.
FIG. 29 is an exploded front view thereof; and,

(Continued)

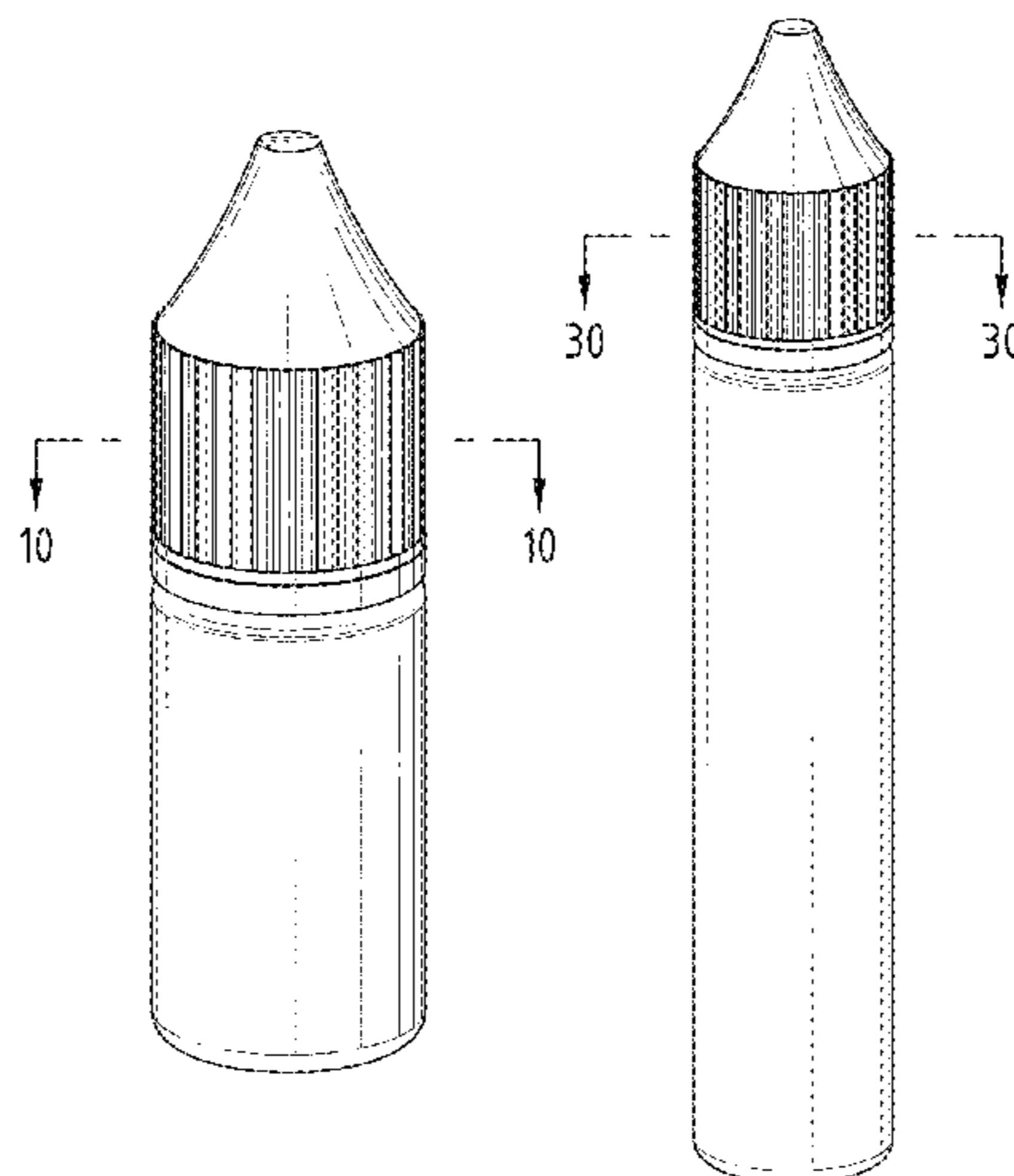


FIG. 30 is a cross-sectional view thereof, taken along line 30-30 of FIG. 21, shown in enlarged scale.

The bottle has been shown with symbolic breaks in FIGS. 11-20. The appearance of any portion of the article between the break lines forms no part of the claimed design.

The broken lines in the figures illustrate the portions of the design that form no part of the claimed design.

1 Claim, 18 Drawing Sheets

(58) **Field of Classification Search**

USPC 132/317, 318, 320; 222/95, 207, 212, 222/335
 CPC A45D 34/00; A45D 40/00; B65D 81/3272
 See application file for complete search history.

(56) **References Cited**

U.S. PATENT DOCUMENTS

D221,132	S *	7/1971	Schiavone	D9/503
D251,203	S	2/1979	Williamson		
D259,172	S	5/1981	Ross		
D264,938	S	6/1982	Stock		
D264,939	S *	6/1982	Stock	D24/115
D264,940	S	6/1982	Stock		
D264,941	S	6/1982	Stock		
4,371,088	A	2/1983	Gach		
D277,736	S	2/1985	Long		
D279,080	S	6/1985	Negishi		
D280,492	S *	9/1985	Greaves	D9/453
4,632,264	A	12/1986	Evans		
4,635,806	A	1/1987	Williamson		
4,705,181	A	11/1987	Burke et al.		
D310,969	S	10/1990	Butler		
5,020,681	A	6/1991	Kusz		
5,115,928	A	5/1992	Drummond, Jr.		
5,263,615	A *	11/1993	Anderson	B65D 1/0223 222/212
5,314,085	A *	5/1994	Collado Bonet	..	B65D 41/3447 215/252
5,324,481	A	6/1994	Dunn		
D354,914	S	1/1995	Newman		
D356,597	S	3/1995	Gray		
D357,865	S	5/1995	Hansen		
D362,623	S	9/1995	Ma		
5,462,200	A *	10/1995	Weiler	B65D 51/222 222/420
D368,425	S	4/1996	Newell		
5,543,115	A	8/1996	Karakawa		
5,676,268	A	10/1997	King		
D405,371	S *	2/1999	Herr	D9/443
D411,109	S *	6/1999	Suto	D9/550
D412,107	S	7/1999	Bosshardt		
D416,793	S	11/1999	Faughey		
6,202,869	B1	3/2001	Sullivan		
D451,396	S *	12/2001	Johnson	D9/530
6,334,557	B1 *	1/2002	Yang	B65D 47/123 222/420
D491,469	S	6/2004	Horie		
7,051,906	B2 *	5/2006	Kis	B65D 1/0207 222/568
D524,037	S *	7/2006	Van Horn	D3/203.1
7,178,703	B2 *	2/2007	Spada	A61F 9/0008 222/209
D551,569	S	9/2007	Tanaka		
7,334,694	B2	2/2008	Suffa		
D564,357	S	3/2008	Kapoor et al.		

7,563,256	B2	7/2009	Hearne		
D601,908	S	10/2009	Yun		
D603,710	S	11/2009	Wilson		
D611,346	S *	3/2010	Camomile	D9/504
7,677,417	B2 *	3/2010	Leiner	B65D 47/18 222/212
D651,921	S	1/2012	Probst		
D653,950	S	2/2012	Ishizawa		
8,444,610	B2 *	5/2013	Grevin	A61F 9/0008 222/420
8,633,016	B2	1/2014	Parker		
8,673,242	B2	3/2014	Shick		
D704,052	S	5/2014	Yoshii		
D705,070	S *	5/2014	Zheng	D9/523
D732,400	S *	6/2015	Hua	D9/724
D732,506	S	6/2015	Hua		
D732,975	S	6/2015	Hua		
9,045,265	B2	6/2015	Adamczak		
D742,019	S *	10/2015	Montgomery	D24/197
D826,068	S	8/2018	Aboabdo		
D834,950	S	12/2018	Aboabdo		
D855,476	S	8/2019	Aboabdo		
D860,004	S	9/2019	Aboabdo		
2003/0211616	A1	11/2003	Leong		
2004/0182814	A1 *	9/2004	Suffa	B65D 50/046 215/216
2006/0111680	A1 *	5/2006	Spada	A61F 9/0008 604/295
2007/0042454	A1	2/2007	Nix		
2010/0145287	A1 *	6/2010	Grevin	A61F 9/0008 604/295
2010/0167271	A1	7/2010	Ryan		
2011/0281342	A1	11/2011	Porsch et al.		
2017/0057710	A1 *	3/2017	Greiner-Perth	B65D 47/2031

FOREIGN PATENT DOCUMENTS

TW	D113730	11/2006
TW	D148448	8/2012

OTHER PUBLICATIONS

U.S. Appl. No. 29/614,048, Bottle filed Aug. 15, 2017.
 U.S. Appl. No. 29/689,608, Dispensing Bottle and Cap, filed Apr. 30, 2019.
 U.S. Appl. No. 29/689,607, Dispensing Bottle and Cap in Combination, filed Apr. 30, 2019.
 U.S. Appl. No. 29/689,592, Dispensing Bottle and Cap, filed Apr. 30, 2019.
 U.S. Appl. No. 29/689,588, Dispensing Bottle and Cap, filed Apr. 30, 2019.
 U.S. Appl. No. 29/689,595, Dispensing Bottle and Cap, filed Apr. 30, 2019.
 U.S. Appl. No. 29/660,584, Dispensing Bottle Kit, filed Aug. 21, 2018.
 Design U.S. Pat. No. 834,950, Dispensing Bottle and Cap in Combination, filed Dec. 4, 2018.
 Design U.S. Pat. No. 855,476, Dispensing Bottle and Cap in Combination, filed Aug. 6, 2019.
 Design U.S. Pat. No. 860,004, Dispensing Bottle Cap, filed Sep. 17, 2019.
 Design U.S. Pat. No. 826,068, Dispensing Bottle Kit, filed Aug. 21, 2018.
 Specimen filed Jul. 3, 2016 in U.S. Trademark Application No. 87/092,186.
 Chubby Gorilla, <https://chubbygorilla.com/> dated as available on Jul. 3, 2016 by the Wayback Machine accessed on May 11, 2020.

* cited by examiner

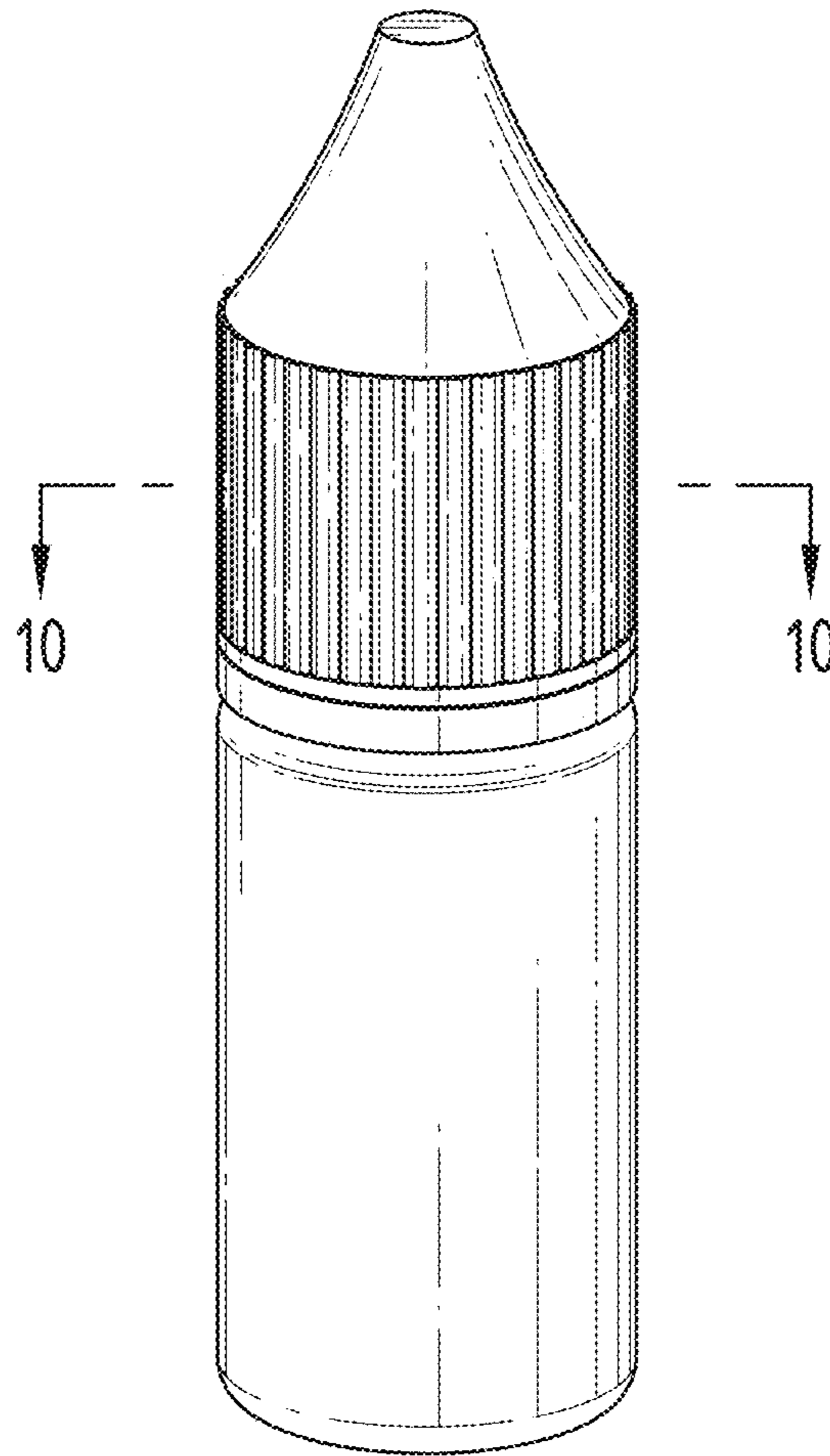


FIG. 1

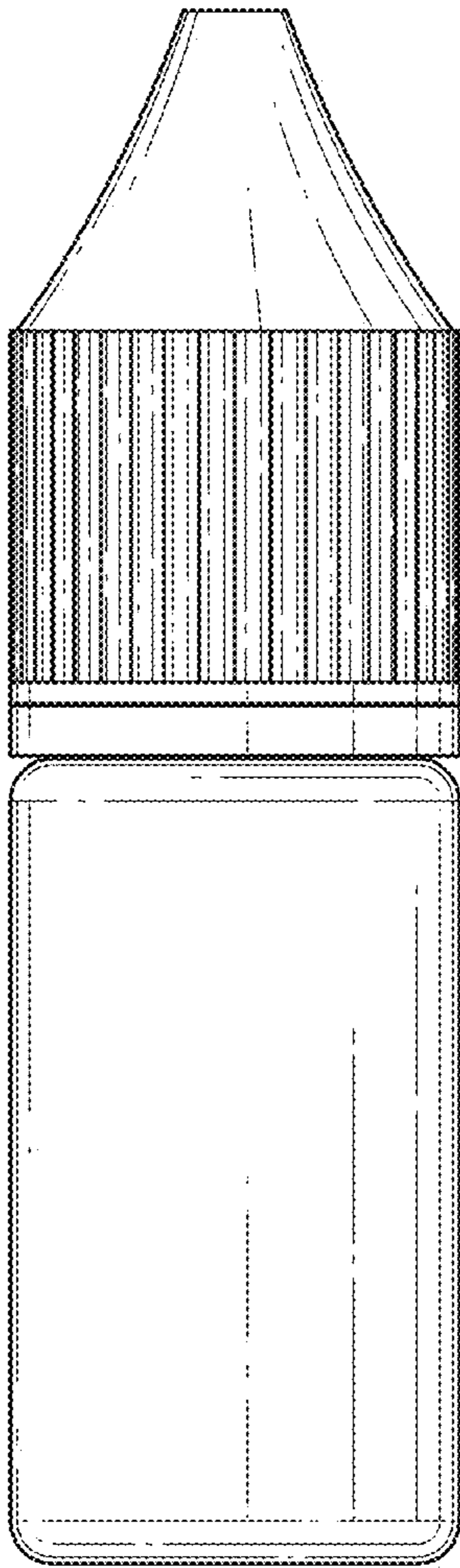


FIG. 2

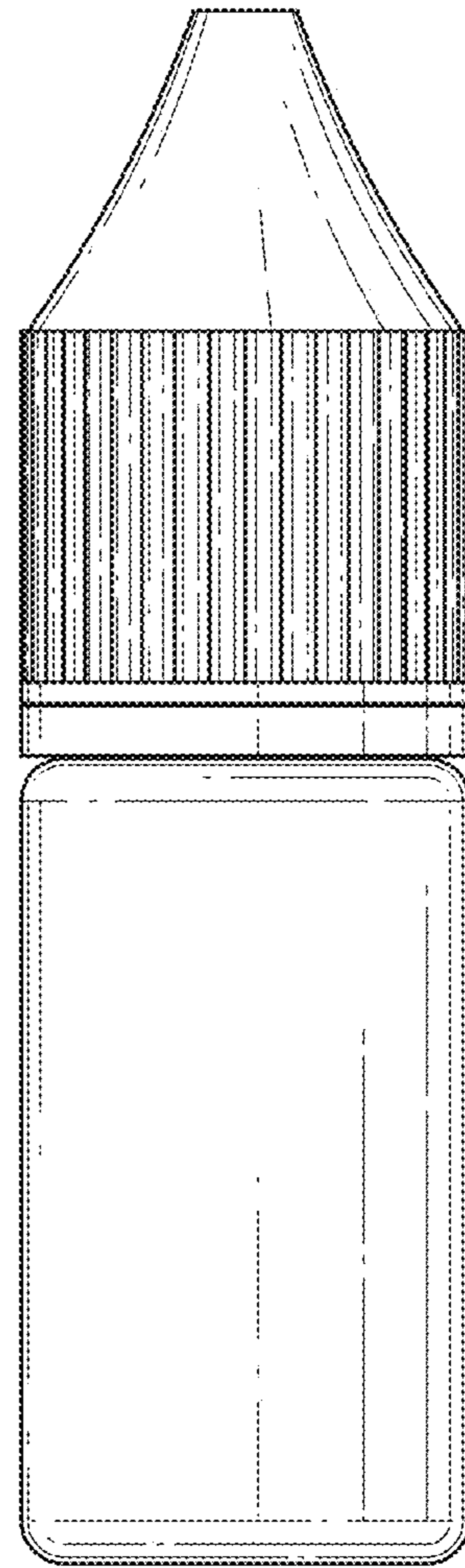


FIG. 3

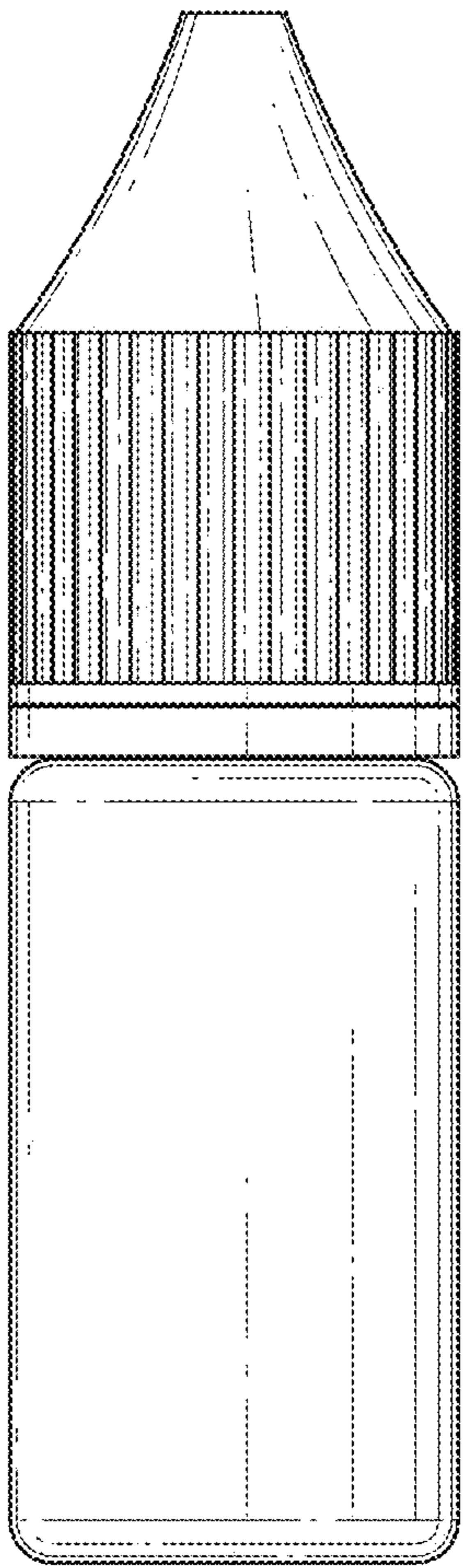


FIG. 4

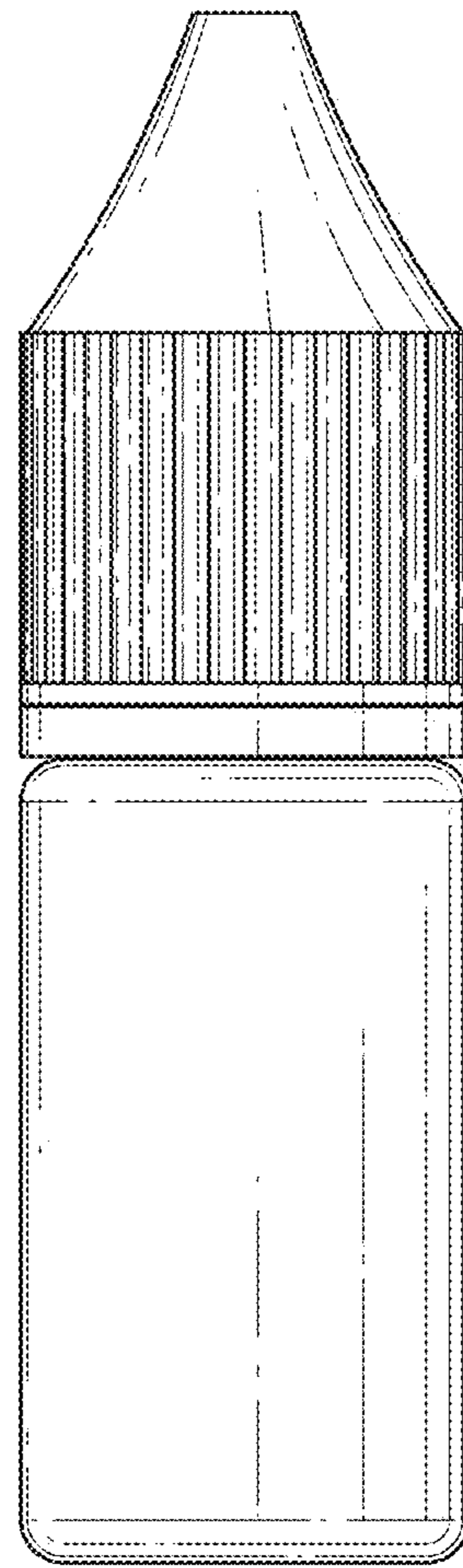


FIG. 5

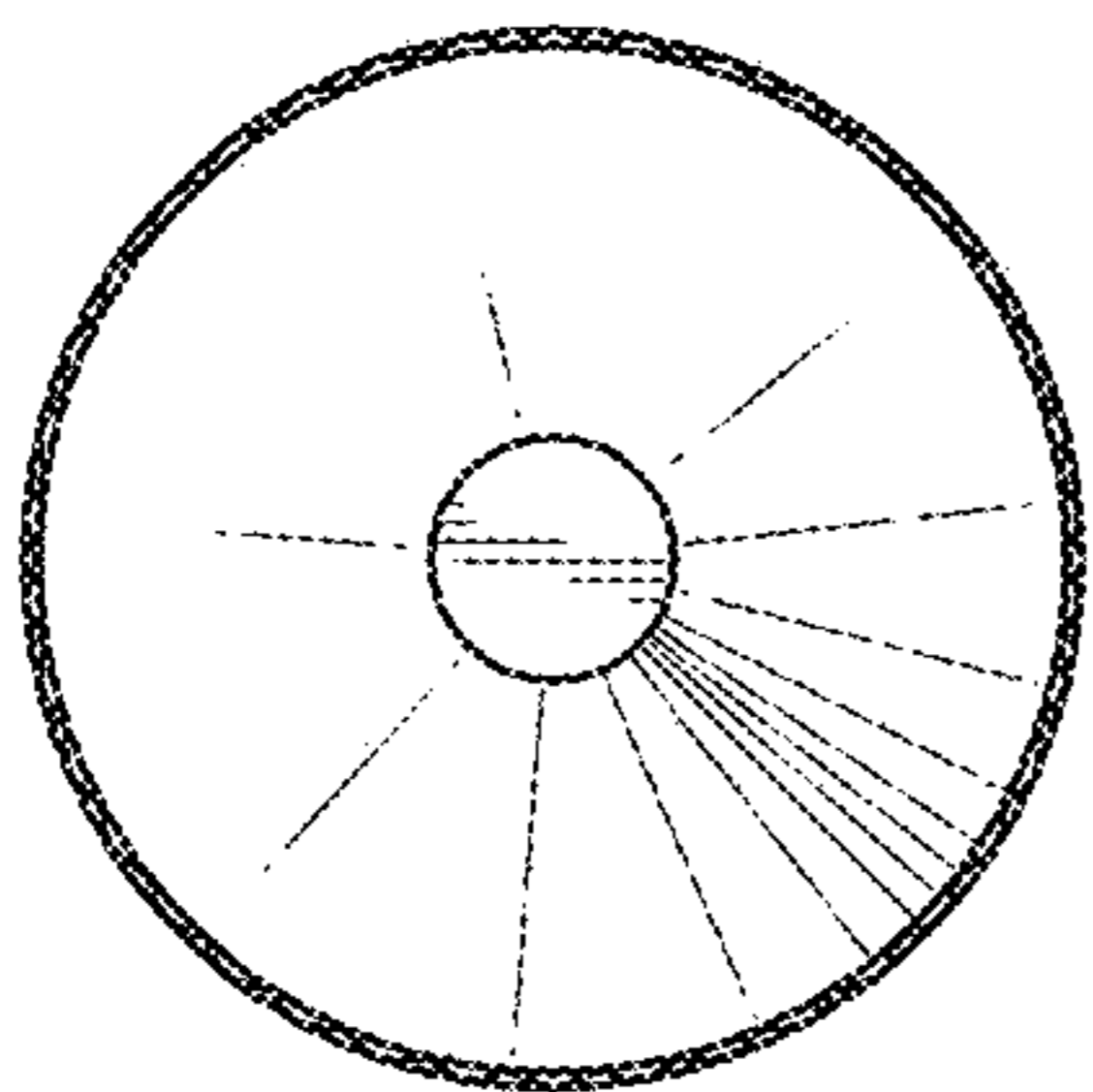


FIG. 6

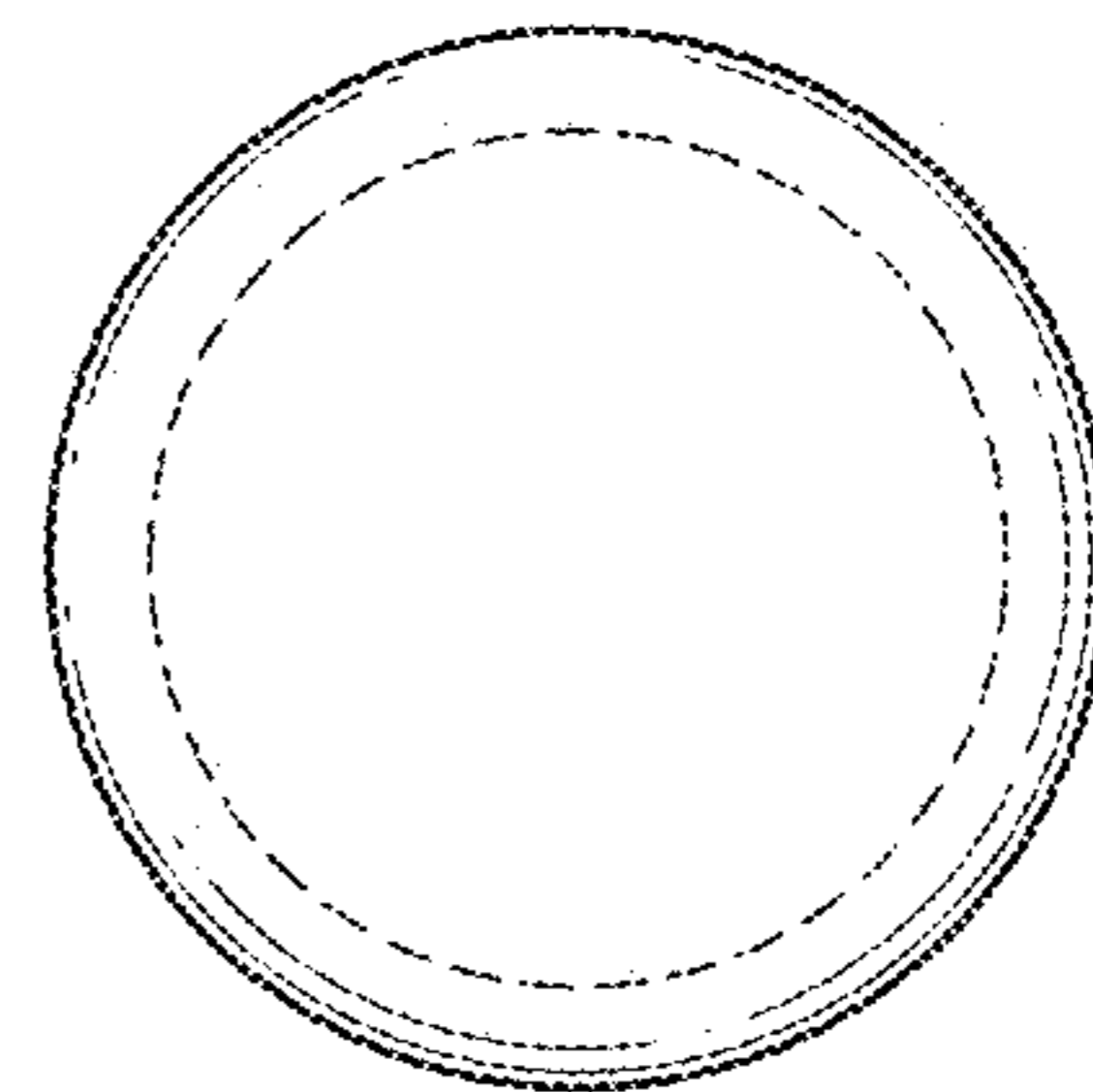


FIG. 7

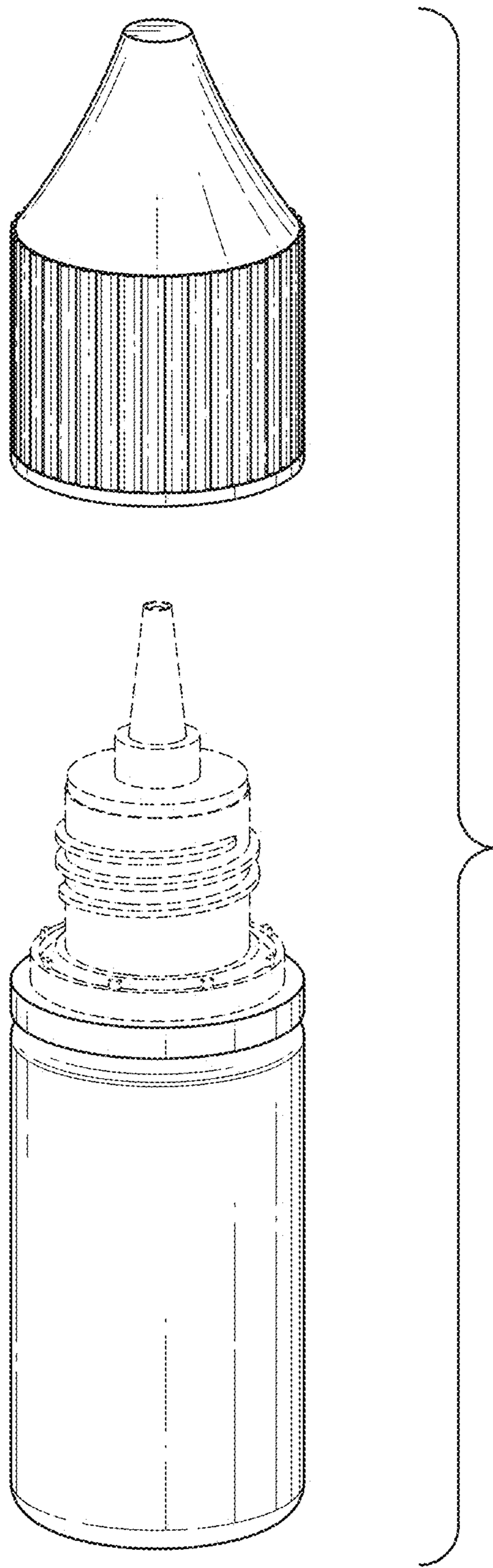


FIG. 8

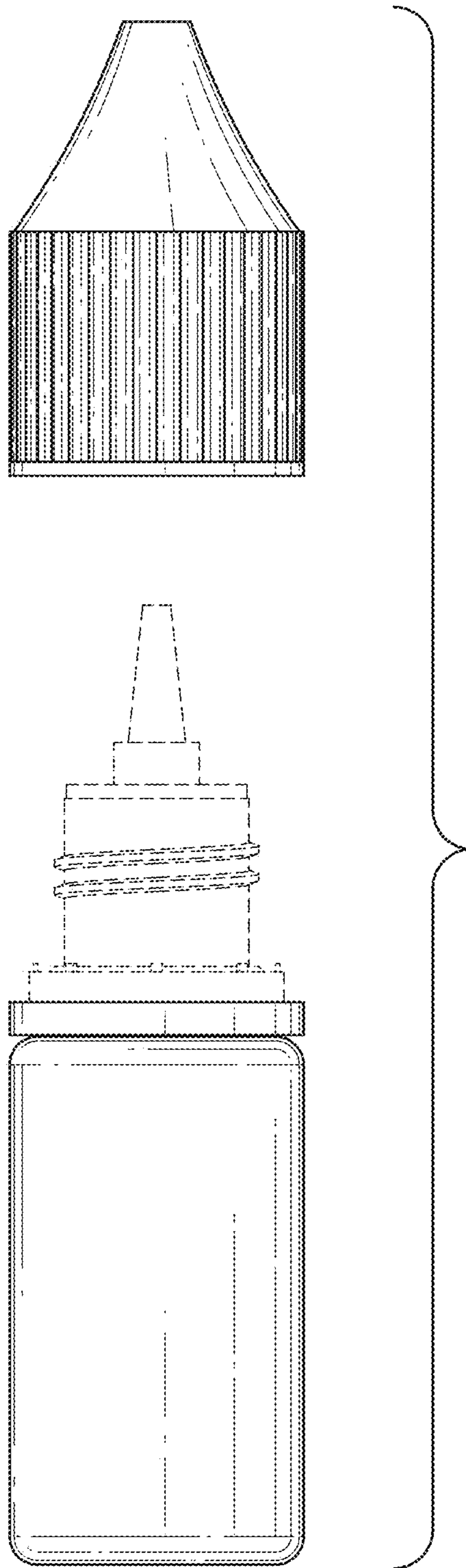


FIG. 9

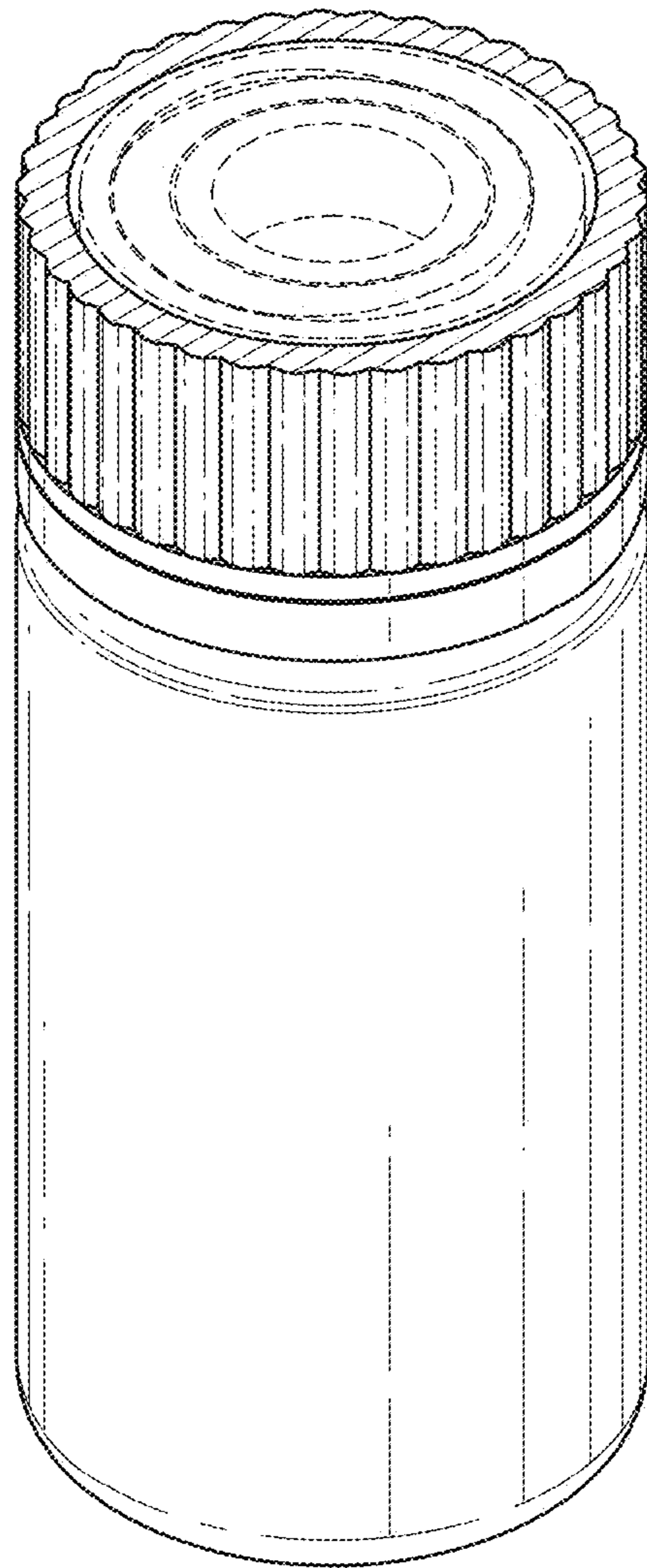


FIG. 10

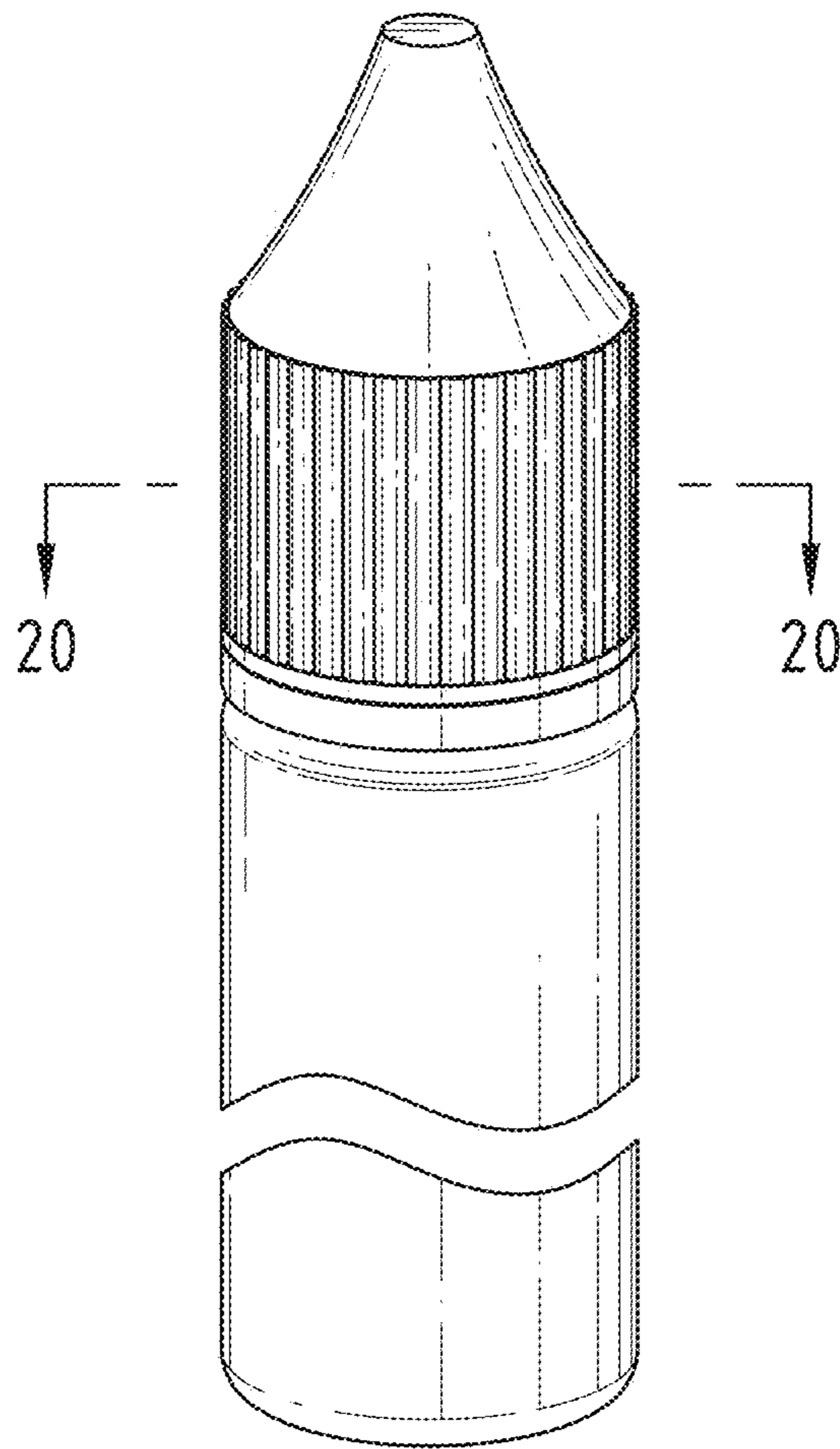


FIG. 11

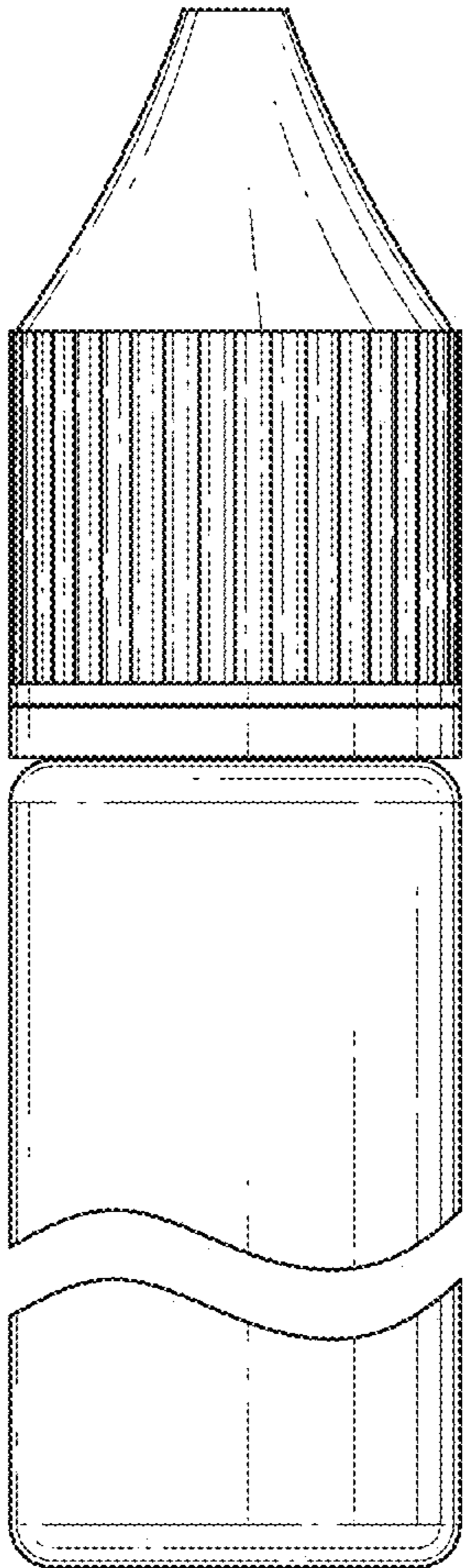


FIG. 12

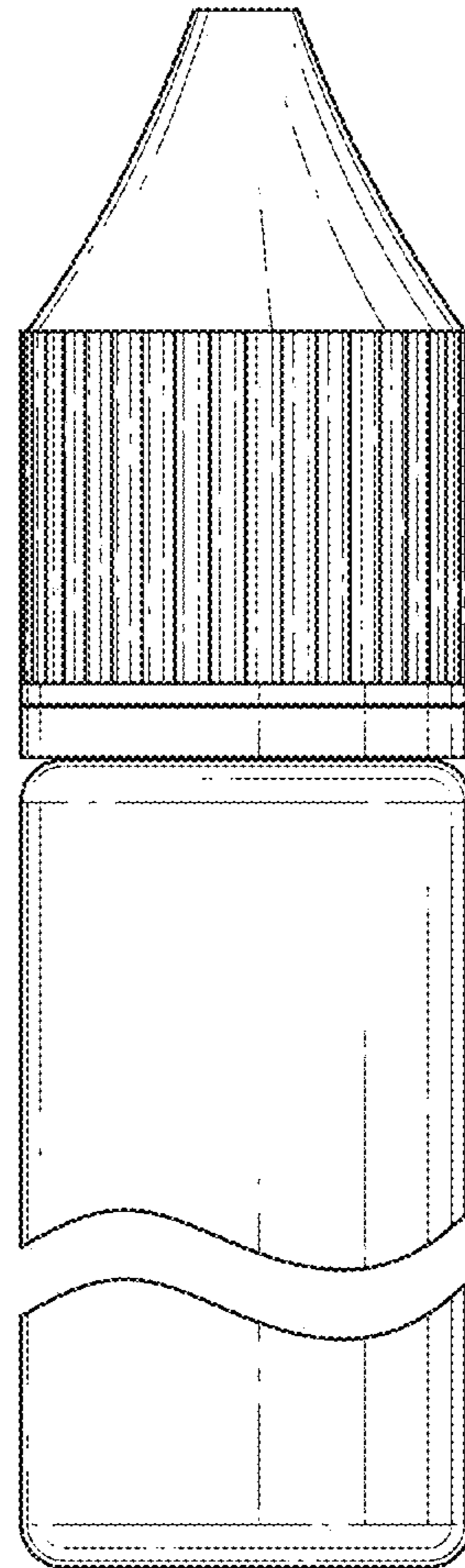


FIG. 13

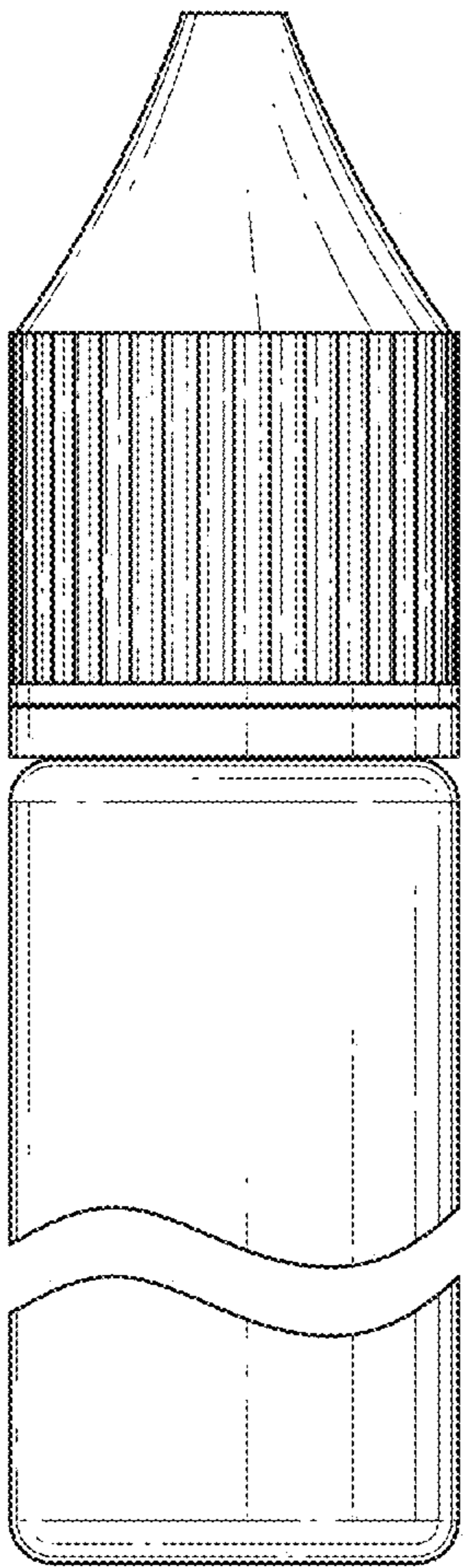


FIG. 14

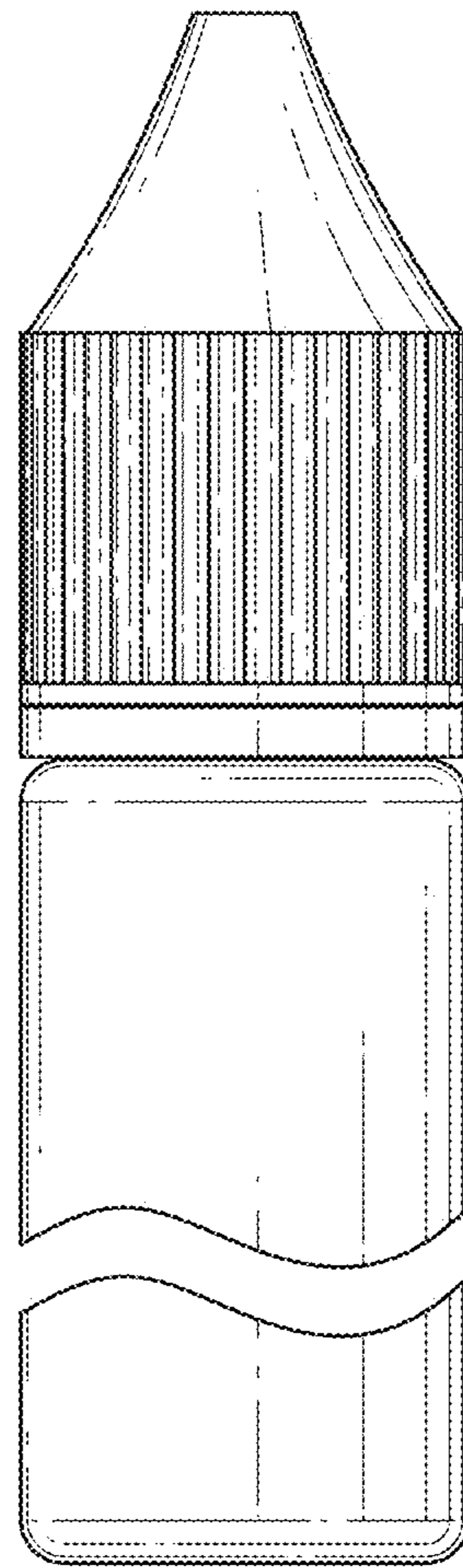


FIG. 15

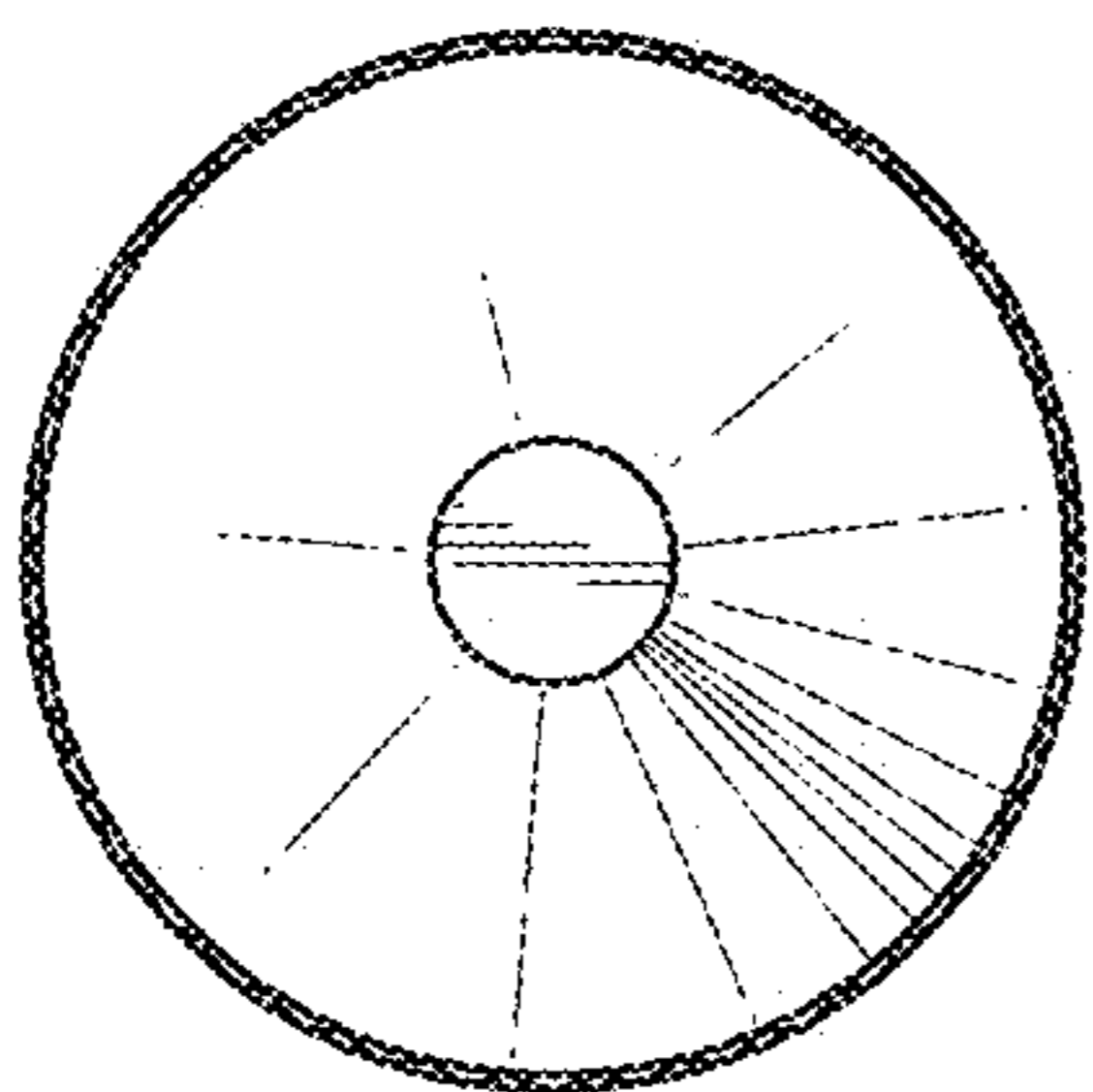


FIG. 16

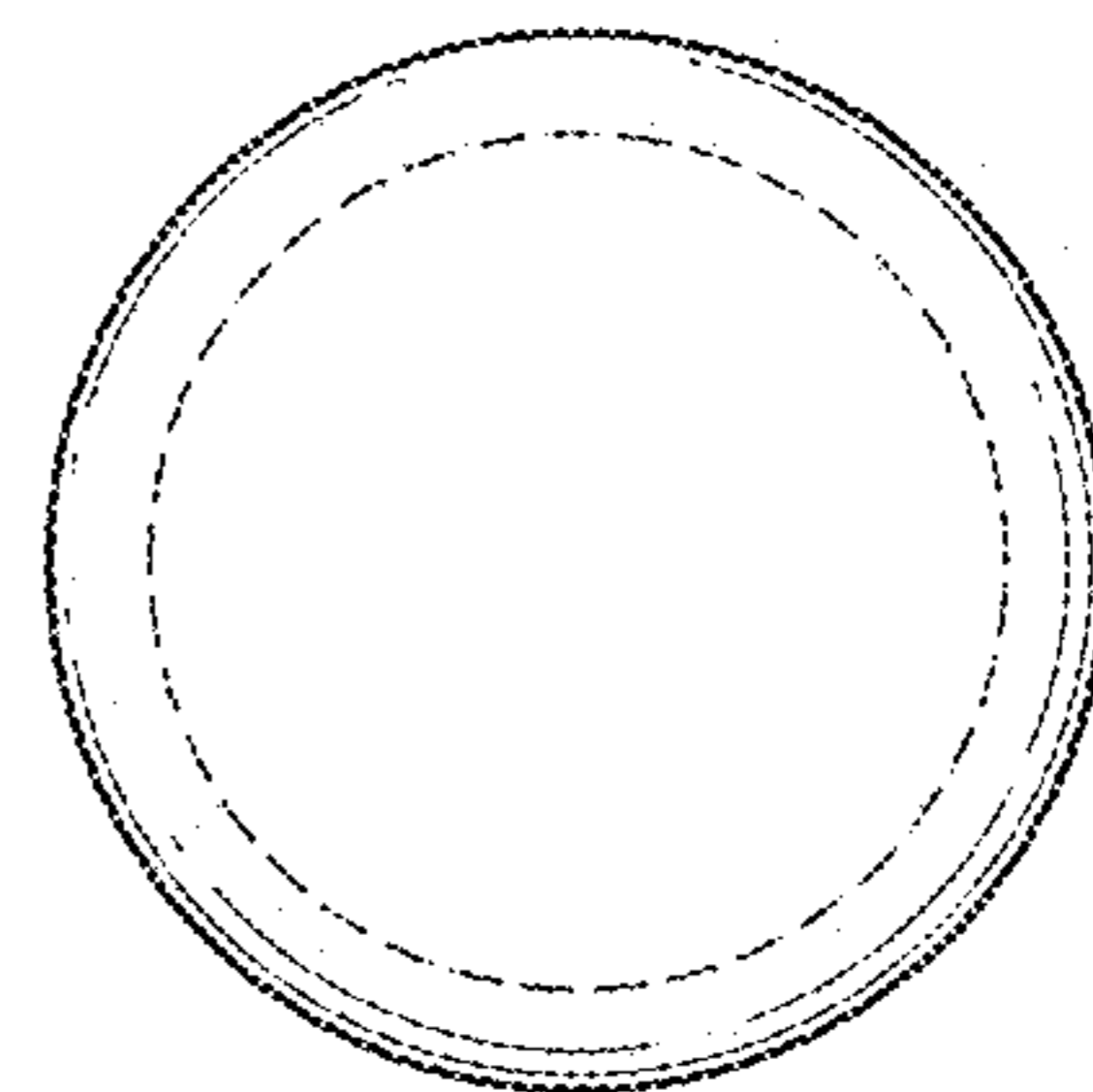


FIG. 17

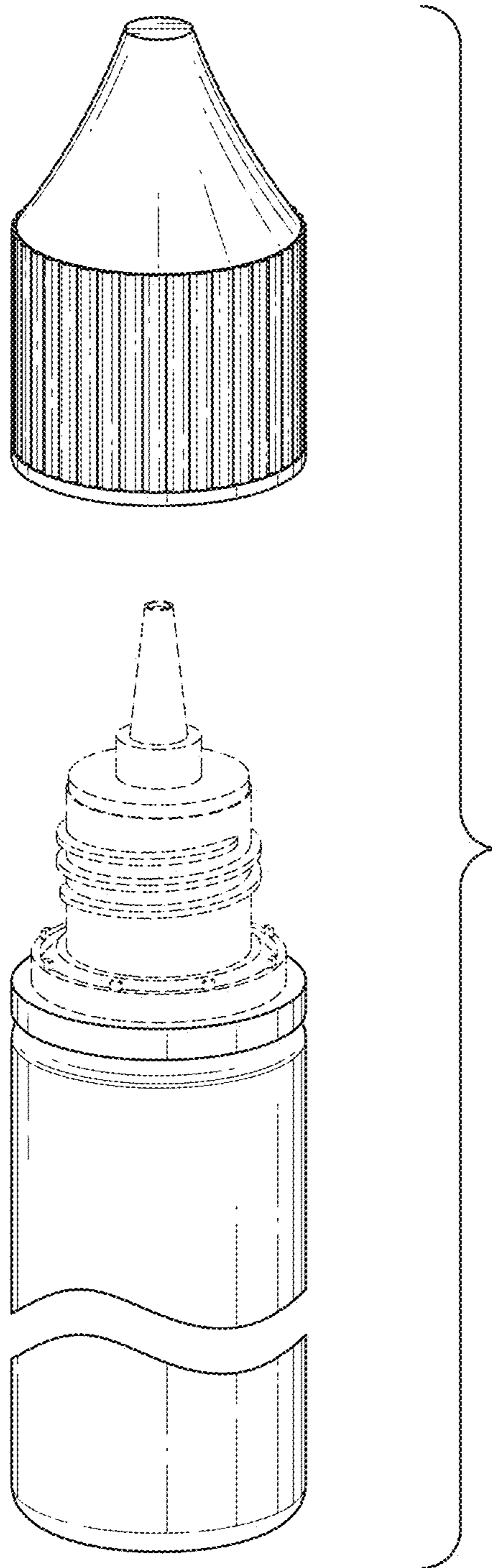


FIG. 18

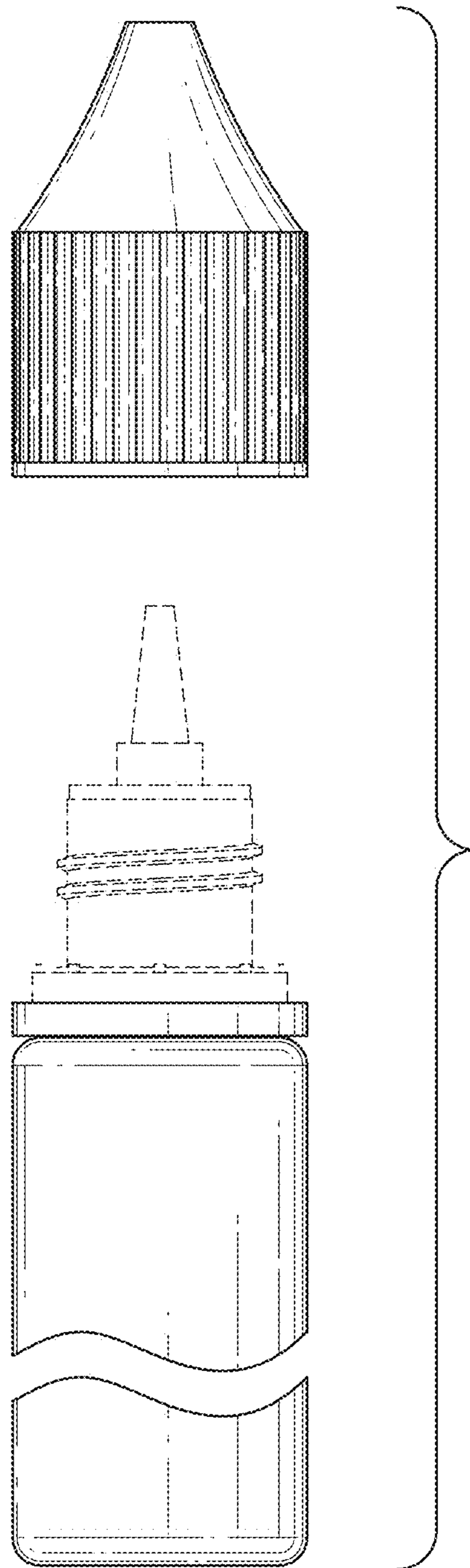


FIG. 19

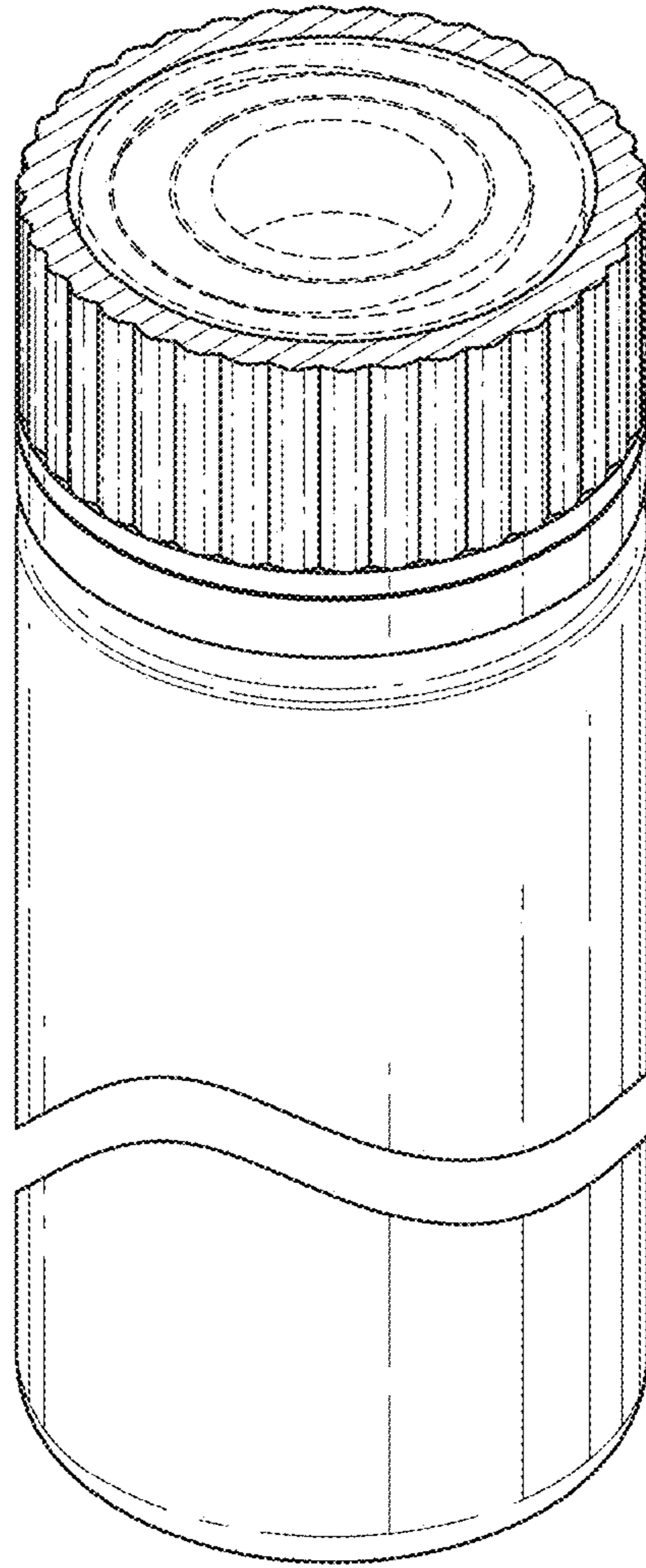


FIG. 20

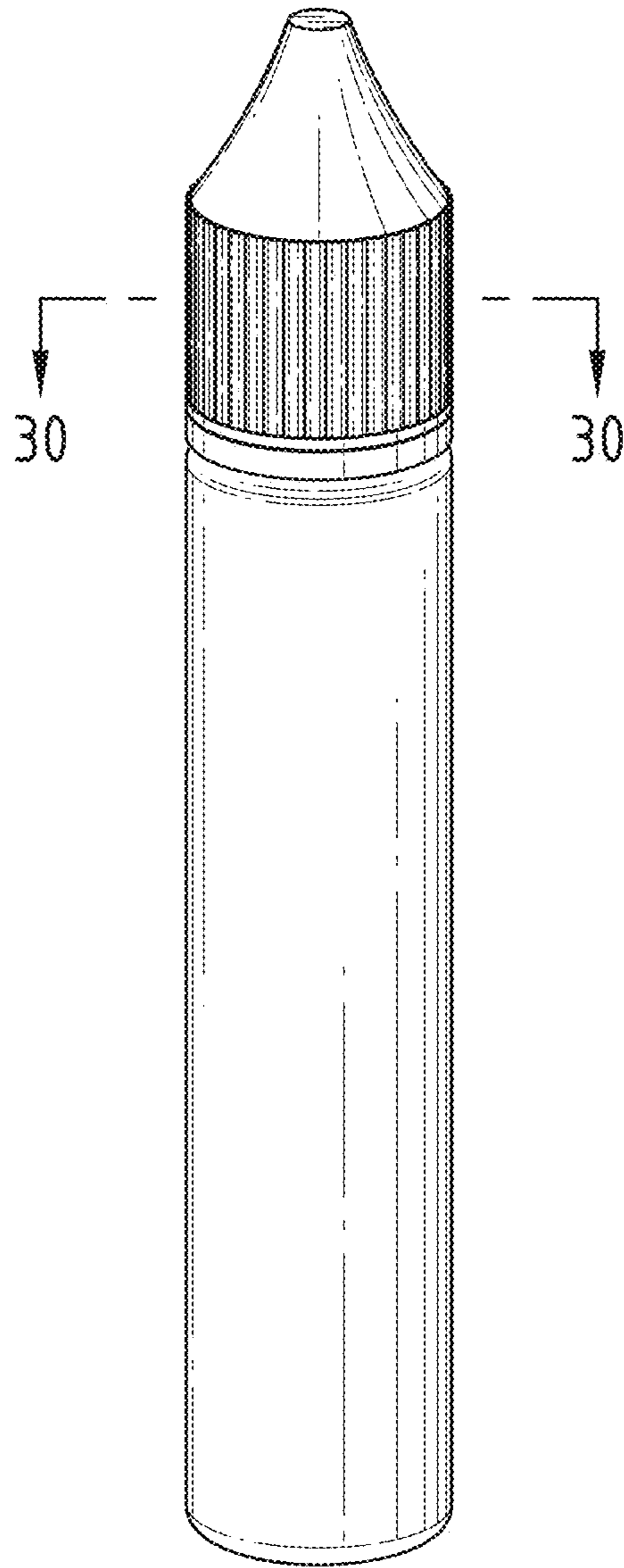


FIG. 21

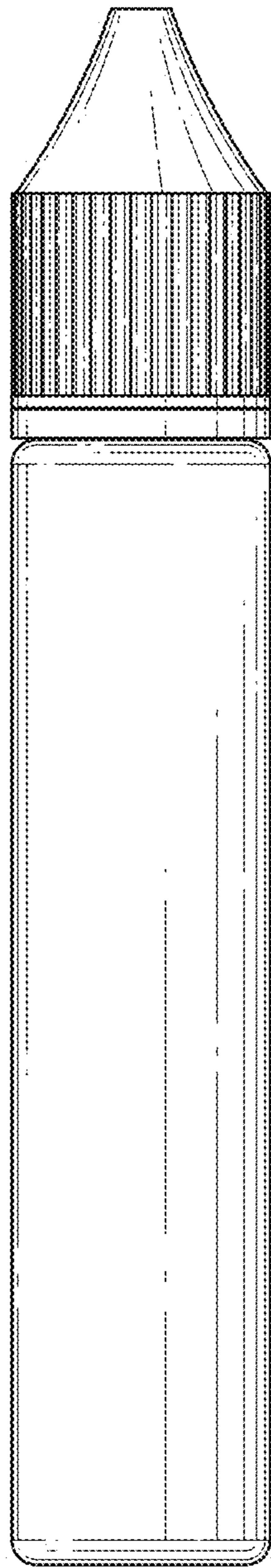


FIG. 22

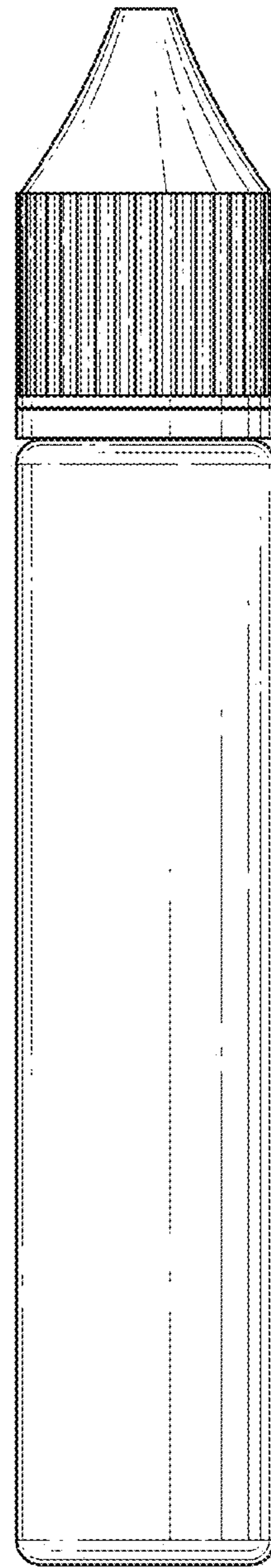


FIG. 23

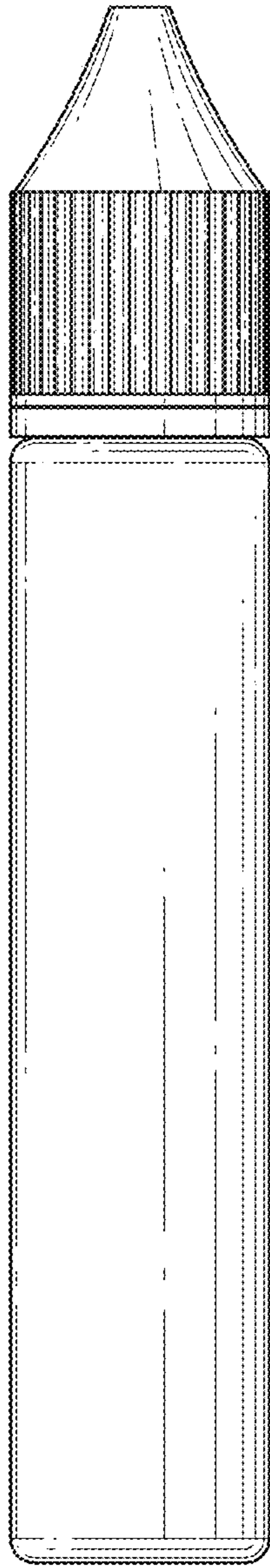


FIG. 24

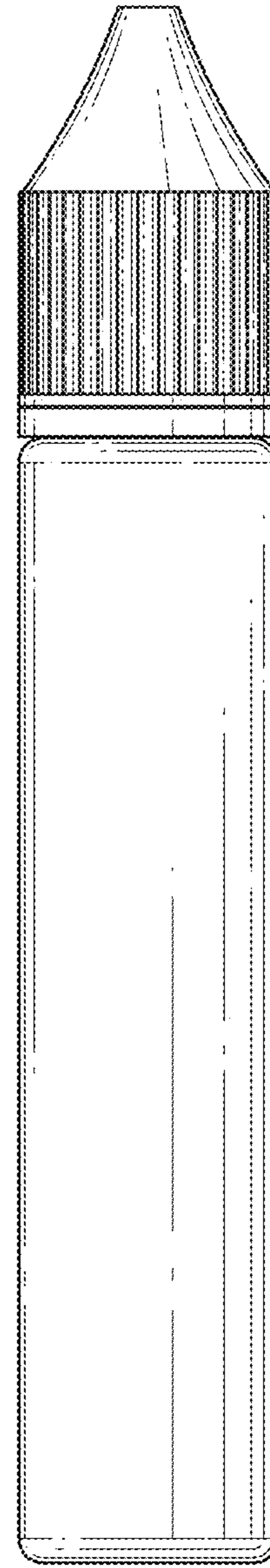


FIG. 25

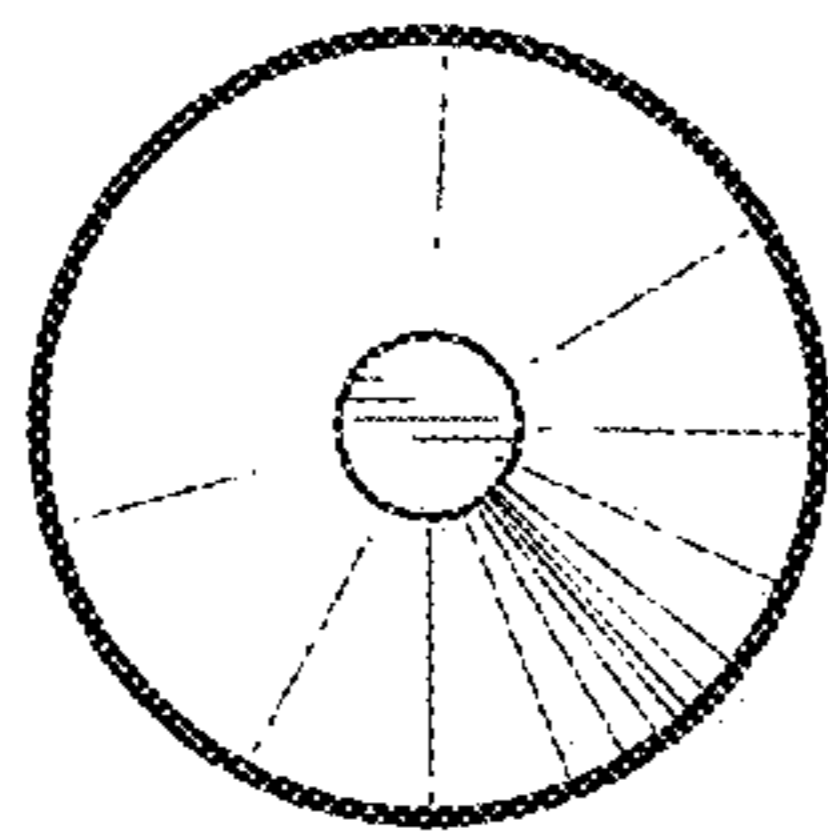


FIG. 26

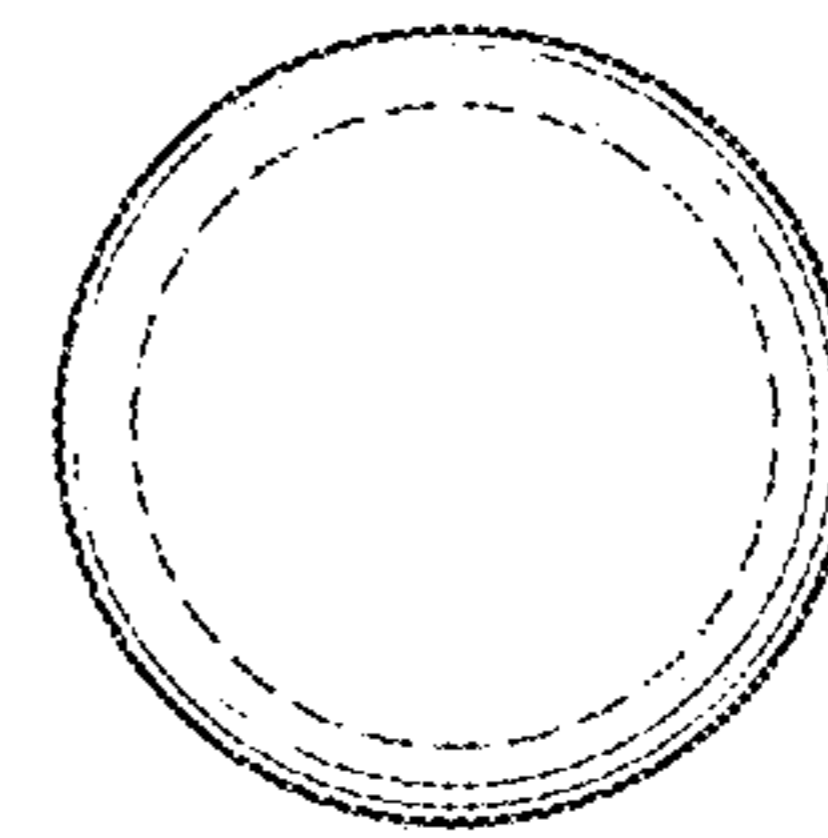


FIG. 27

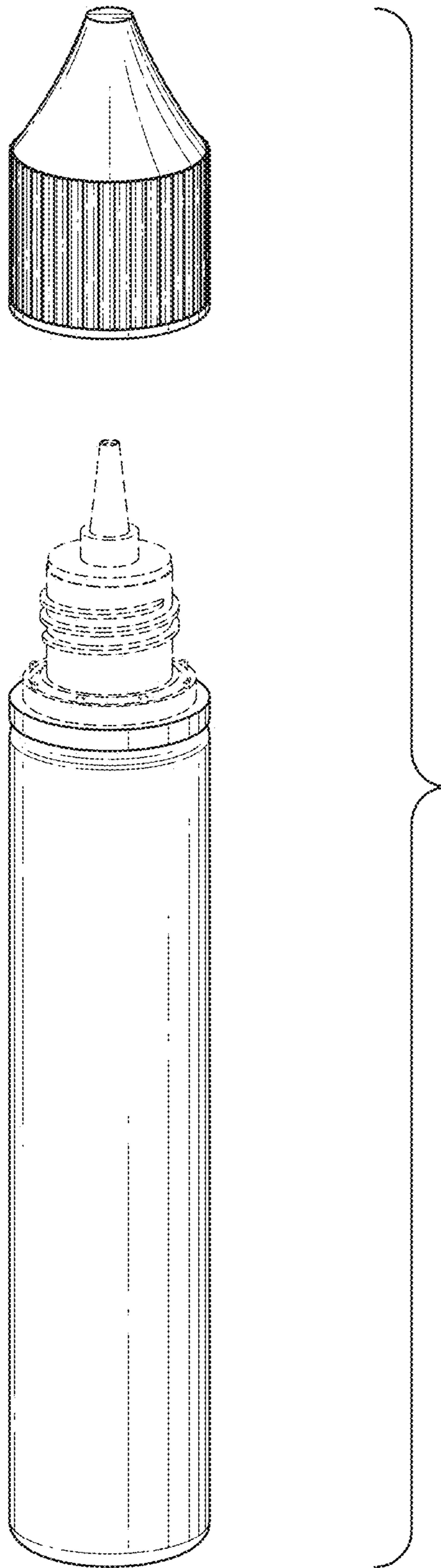


FIG. 28

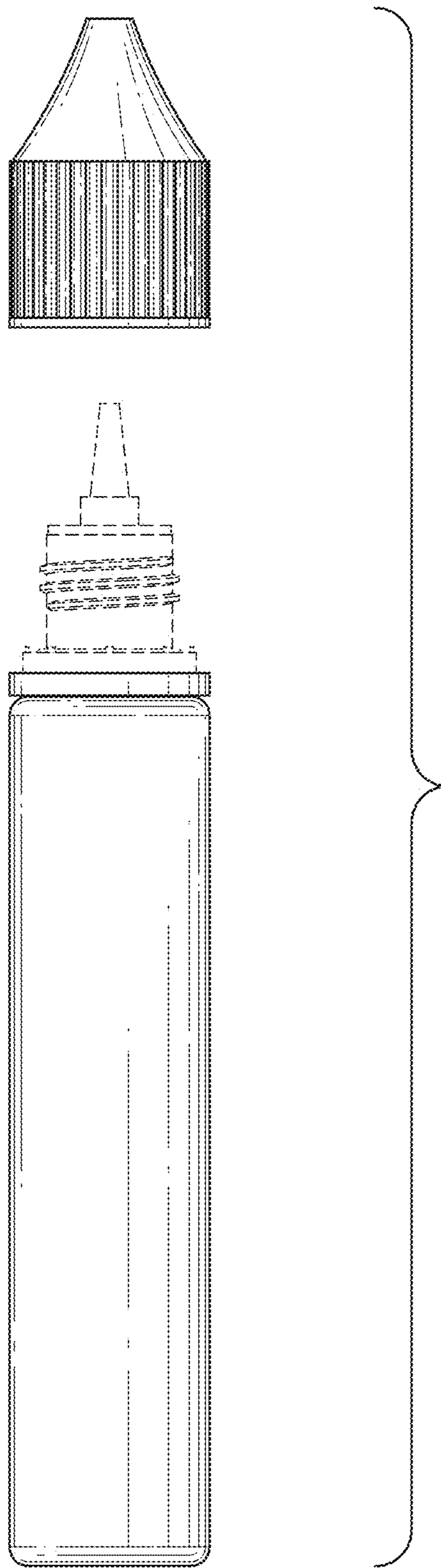


FIG. 29

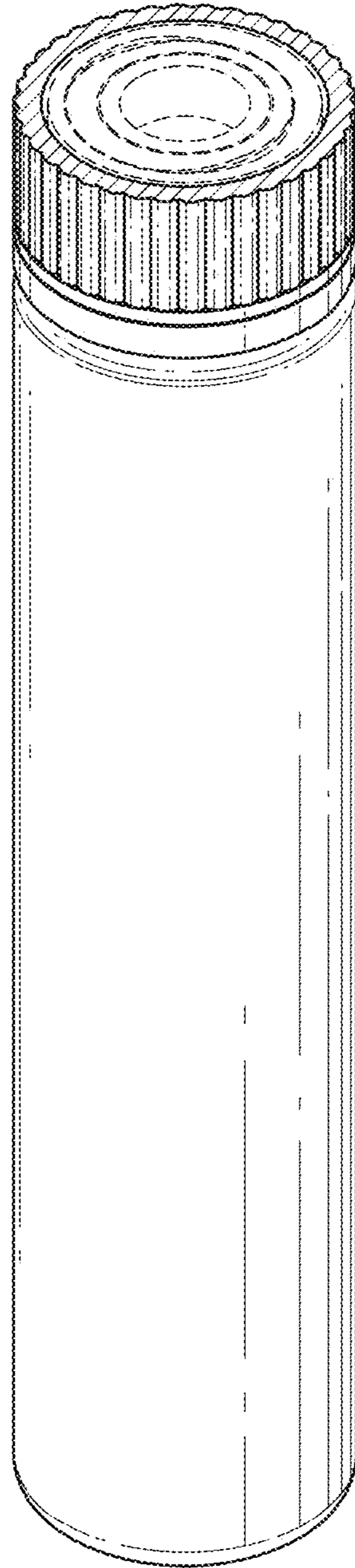


FIG. 30