



US00D907496S

(12) **United States Design Patent** (10) **Patent No.:** **US D907,496 S**
Menzel, Jr. et al. (45) **Date of Patent:** **** Jan. 12, 2021**

(54) **INSULATION FOR PACKAGING**
(71) Applicant: **Menzel Diversified Enterprises, LLC**,
Mooreville, NC (US)
(72) Inventors: **Robert W. Menzel, Jr.**, Mooreville,
NC (US); **David Kevin Vance**,
Concord, NC (US)
(73) Assignee: **AIRLITE PLASTICS CO.**, Omaha,
NE (US)
(**) Term: **15 Years**

(21) Appl. No.: **29/699,461**
(22) Filed: **Jul. 25, 2019**

Related U.S. Application Data

(62) Division of application No. 35/001,475, filed on Dec.
22, 2017 (U.S. filing date under 35 U.S.C. 384), and
having an international filing date of Dec. 22, 2017,
now Pat. No. Des. 864,721.
(51) **LOC (13) Cl.** **09-07**
(52) **U.S. Cl.**
USPC **D9/456**
(58) **Field of Classification Search**
USPC D9/456
CPC B65D 81/3897; B65D 5/60; B31B 2110/35
See application file for complete search history.

(56) **References Cited**

U.S. PATENT DOCUMENTS

6,443,309 B1 * 9/2002 Becker B65D 5/60
206/594
2012/0145568 A1 * 6/2012 Collison B65D 27/16
206/204

2012/0248101 A1 * 10/2012 Tumber F25D 3/08
220/1.5
2016/0355296 A1 * 12/2016 Baker B65B 29/02
2018/0257844 A1 * 9/2018 s, Jr. B65D 81/3862
2019/0248573 A1 * 8/2019 Collison B65D 81/3858
2019/0352077 A1 * 11/2019 Carter F25D 3/08
2020/0156852 A1 * 5/2020 Veiseh B65D 81/3862
2020/0270052 A1 * 8/2020 Aksan B65B 7/20

* cited by examiner

Primary Examiner — Michael A. Pratt

(74) *Attorney, Agent, or Firm* — Shumaker, Loop &
Kendrick, LLP

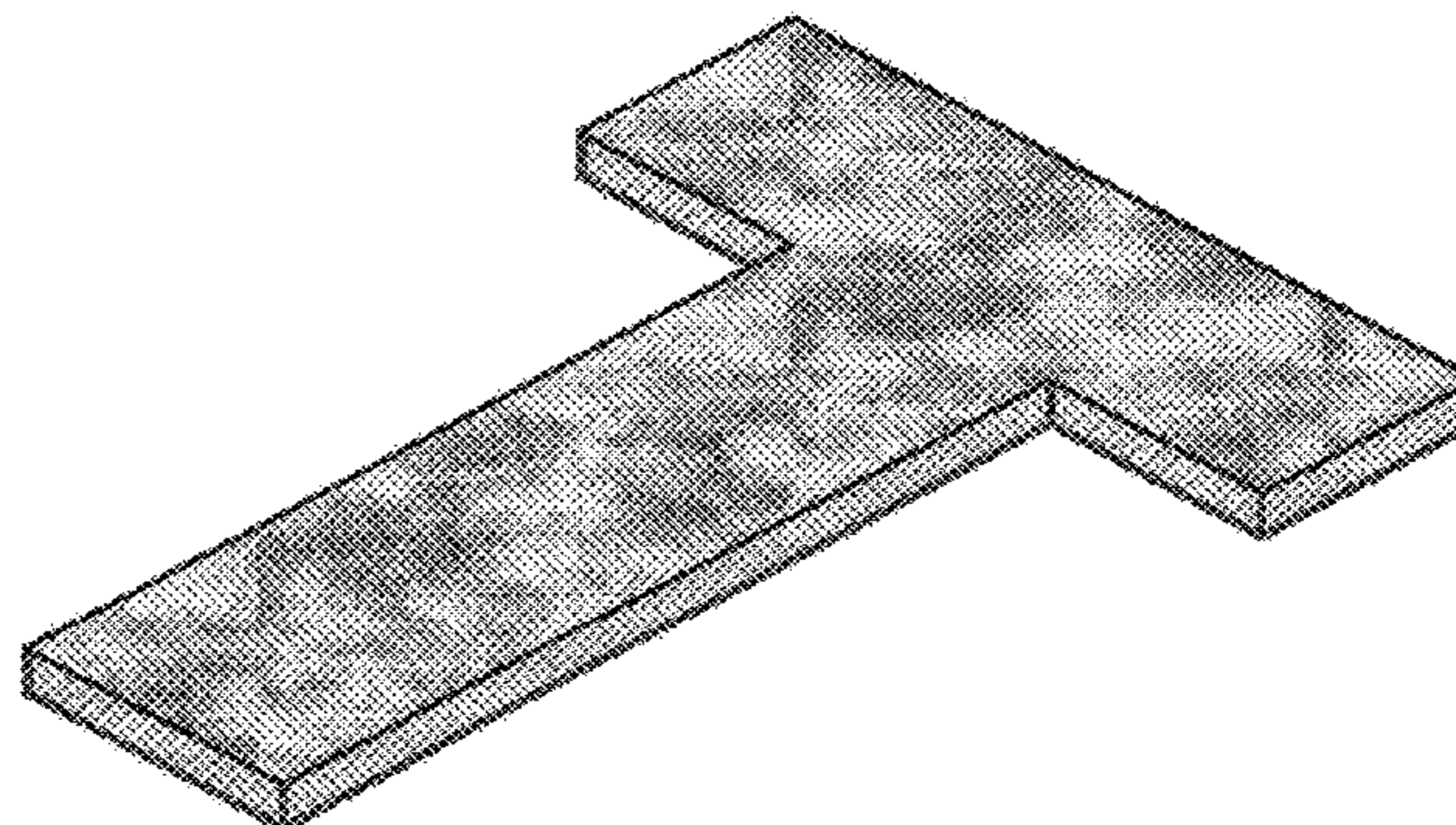
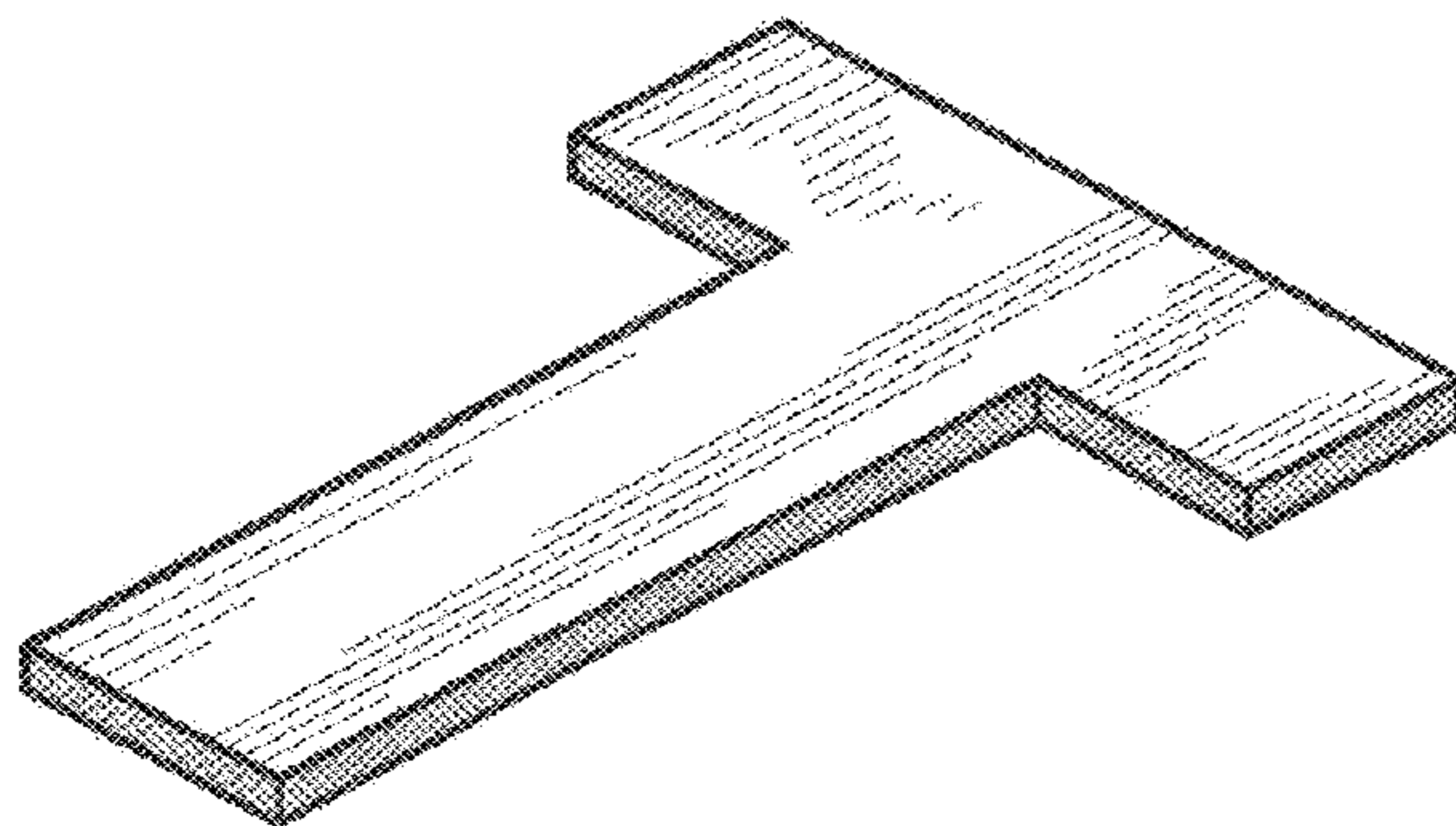
(57) **CLAIM**

We claim the ornamental design for an insulation for pack-
aging, as shown and described.

DESCRIPTION

FIG. 1 is a perspective view;
FIG. 2 is a front view;
FIG. 3 is a back view;
FIG. 4 is a top view;
FIG. 5 is a bottom view;
FIG. 6 is a left view;
FIG. 7 is a right view;
FIG. 8 is a perspective view;
FIG. 9 is a front view;
FIG. 10 is a back view;
FIG. 11 is a top view;
FIG. 12 is a bottom view;
FIG. 13 is a left view; and,
FIG. 14 is a right view.

1 Claim, 14 Drawing Sheets



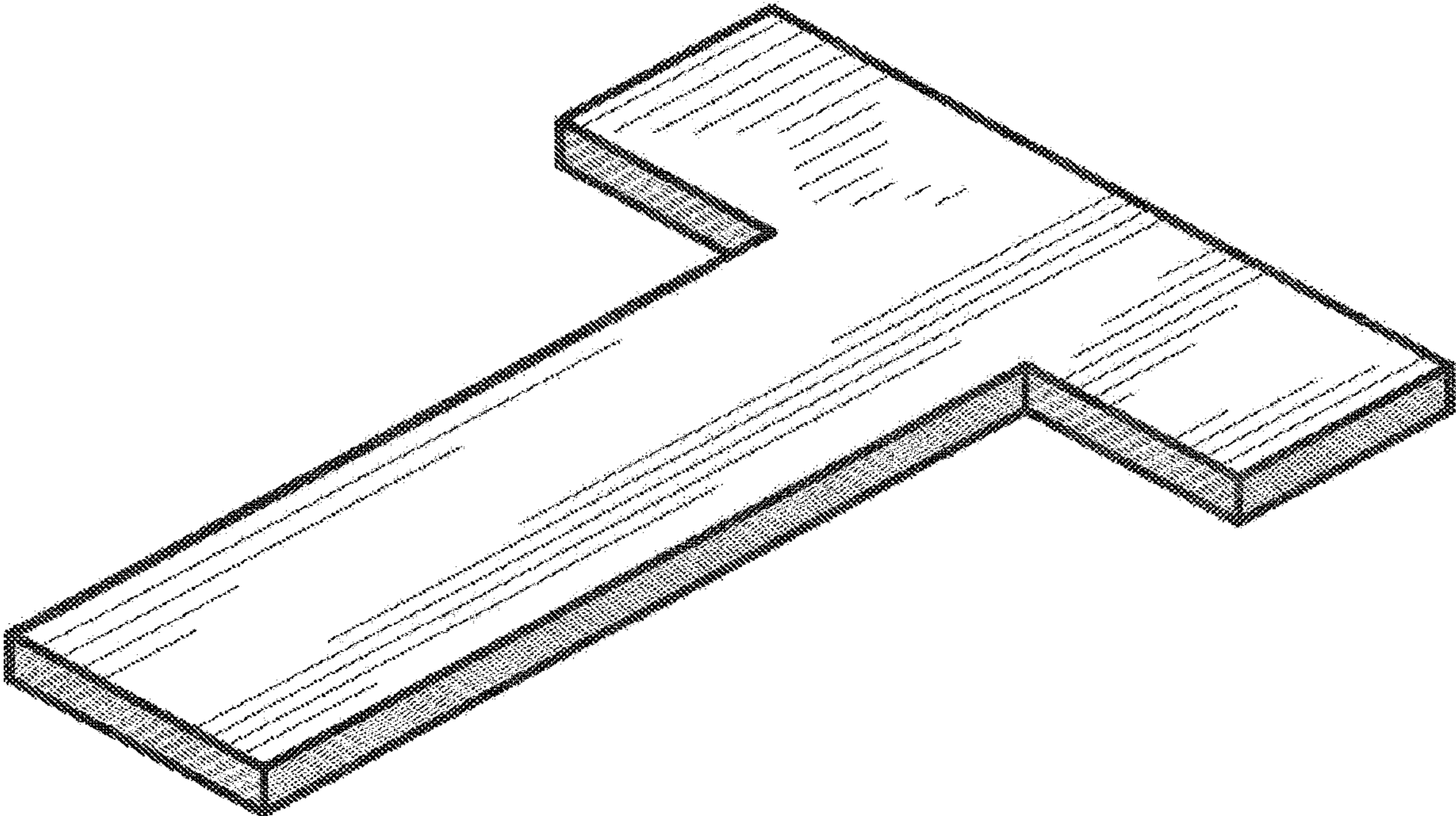


FIG. 1

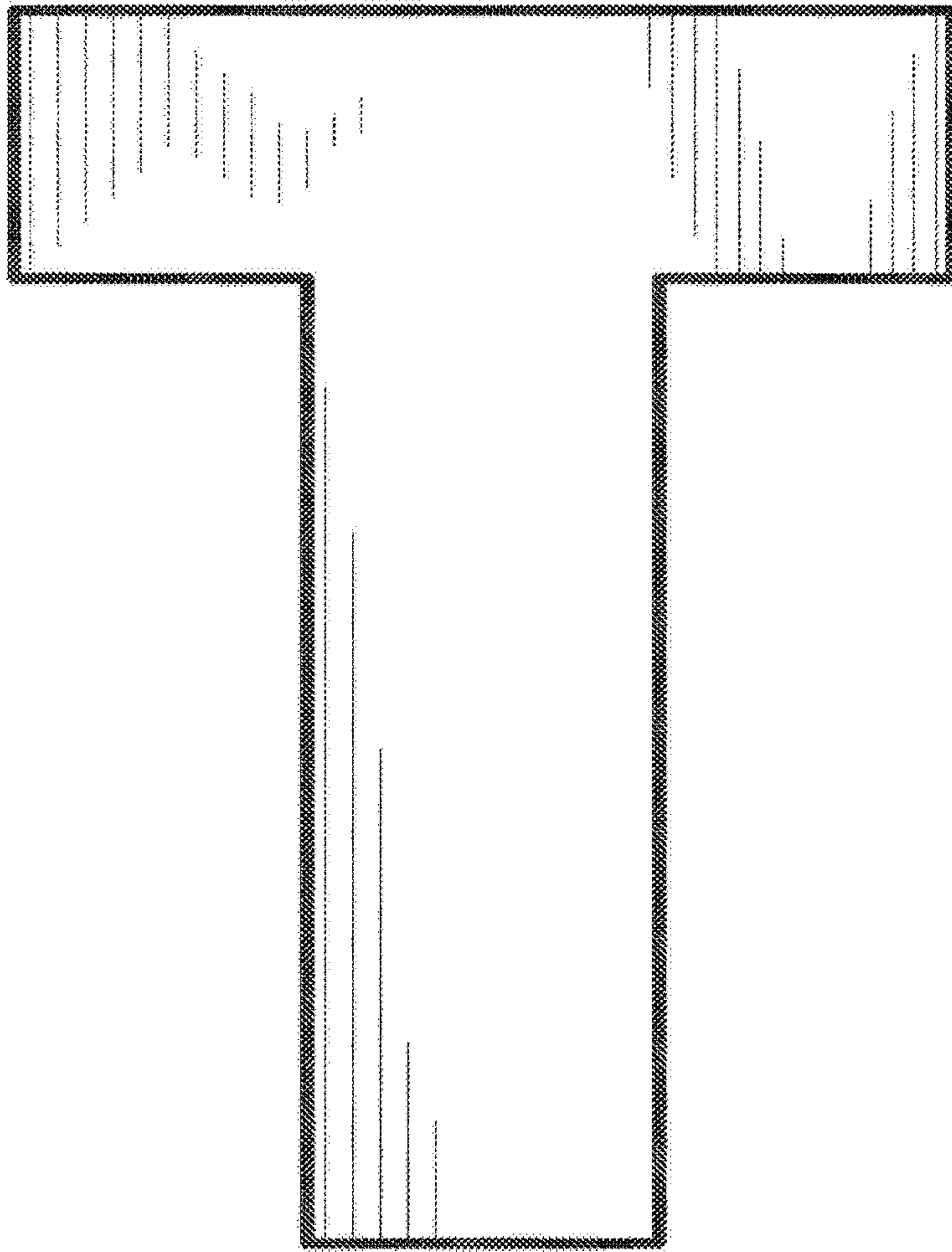


FIG. 2

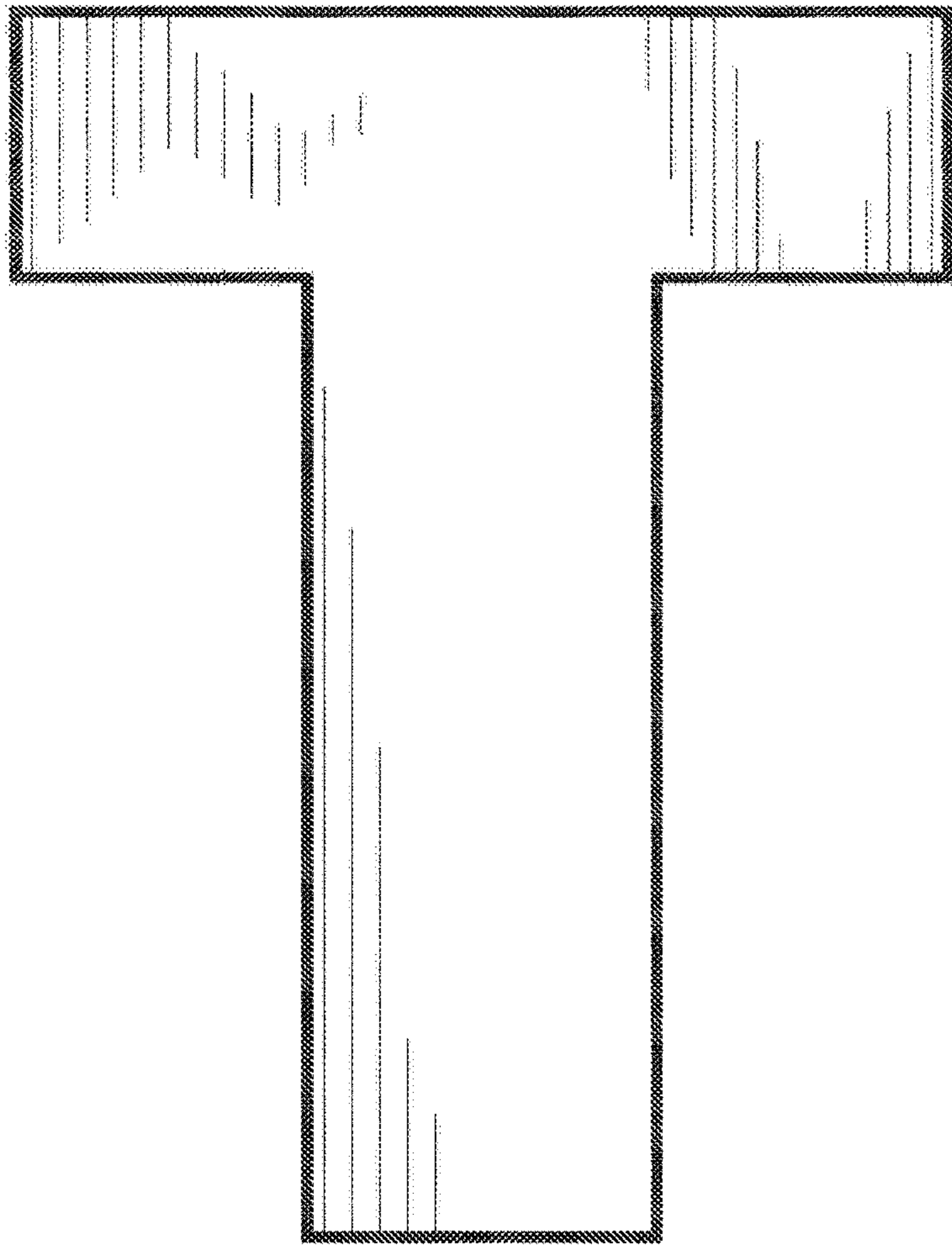


FIG. 3



FIG. 4

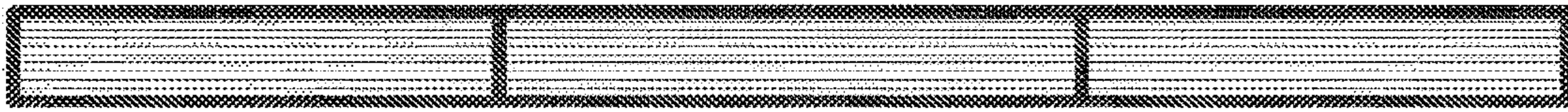


FIG. 5

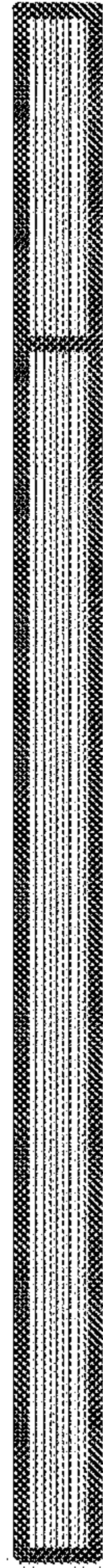


FIG. 6



FIG. 7

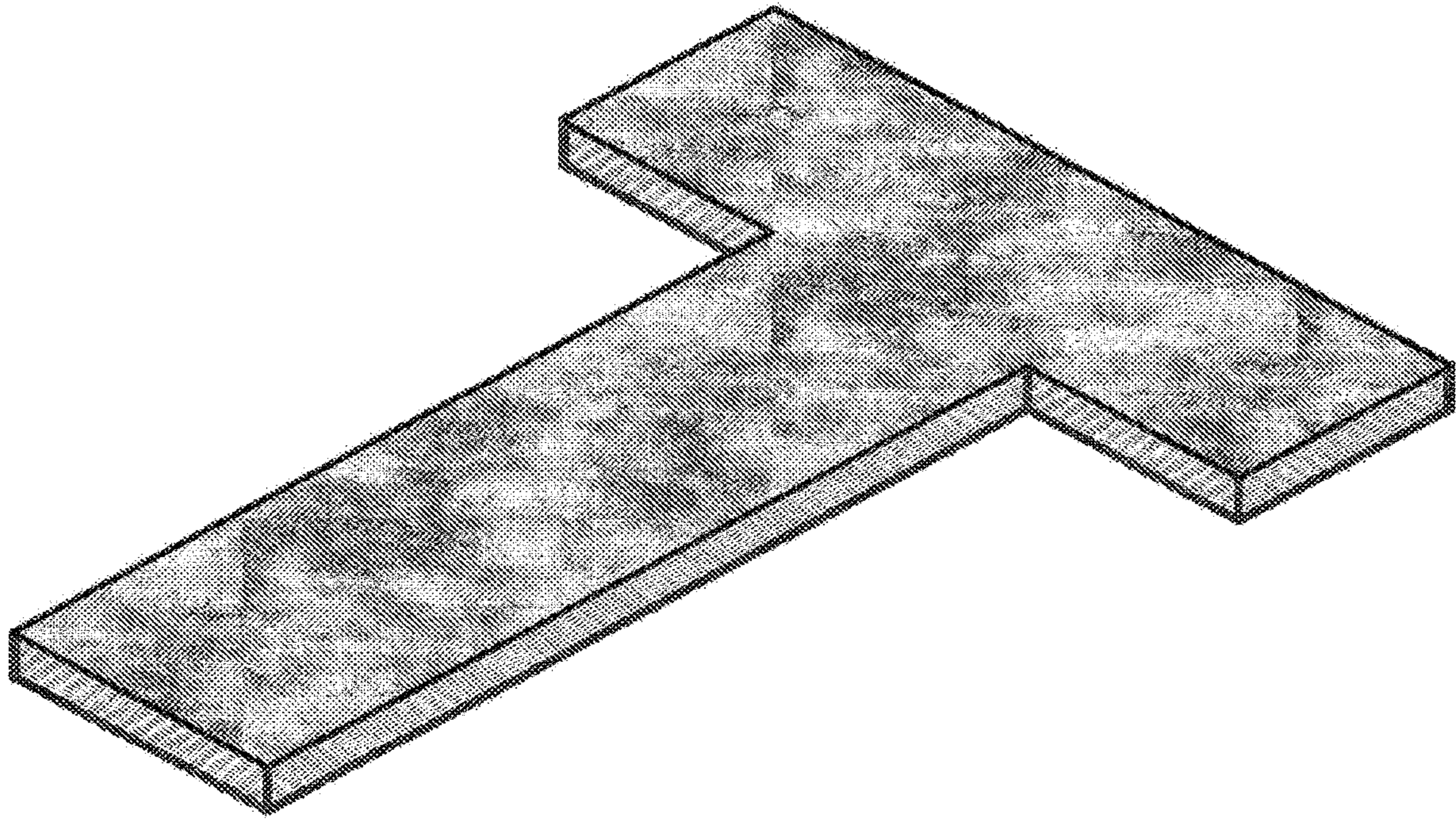


FIG. 8

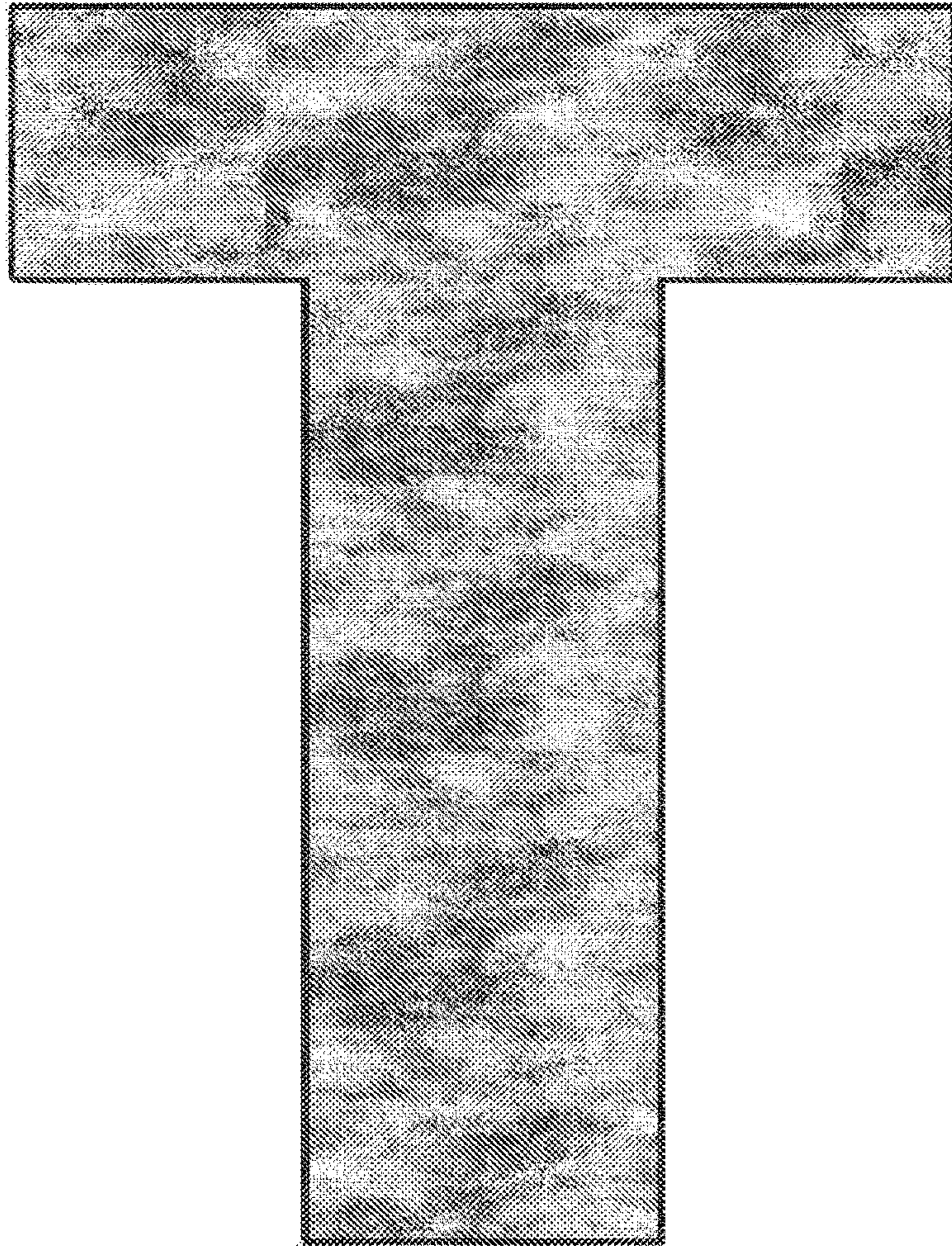


FIG. 9

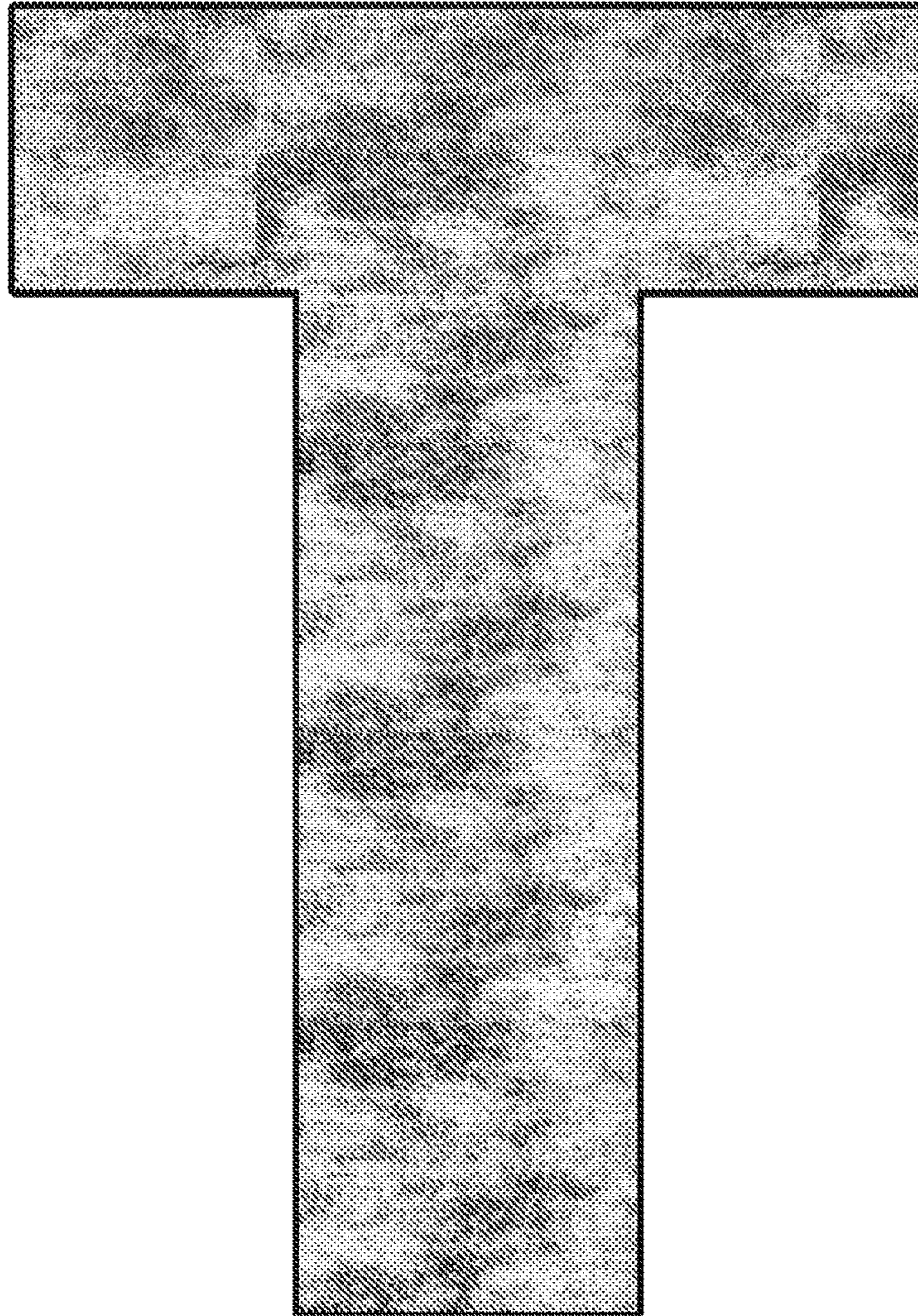


FIG. 10



FIG. 11



FIG. 12



FIG. 13



FIG. 14