



US00D907495S

(12) **United States Design Patent**  
**Kim**

(10) **Patent No.:** **US D907,495 S**  
(45) **Date of Patent:** **\*\* Jan. 12, 2021**

(54) **FIXING FRAME FOR CAKE PACKAGING**

5/4266; B65D 5/566; B65D 5/42; B65D  
81/3813; B65D 81/3832; B65D 81/386;  
B65D 65/44; B65D 25/108; E04F 19/02;  
E05F 5/06; A47G 19/30; E04B  
2001/7691

(71) Applicant: **PARIS CROISSANT CO., LTD,**  
Seongnam-si (KR)

(72) Inventor: **Sun Young Kim,** Seoul (KR)

See application file for complete search history.

(73) Assignee: **PARIS CROISSANT CO., LTD,**  
Seongnam-si (KR)

(56) **References Cited**

(\*\*) Term: **15 Years**

(21) Appl. No.: **29/674,498**

(22) Filed: **Dec. 21, 2018**

(30) **Foreign Application Priority Data**

Jul. 5, 2018 (KR) ..... 30-2018-0030999

(51) **LOC (13) Cl.** ..... **09-07**

(52) **U.S. Cl.**  
USPC ..... **D9/456**

(58) **Field of Classification Search**  
USPC ..... D3/304, 318, 319; D7/387, 388, 391,  
D7/392.1, 396.1, 396.6, 403, 409, 504,  
D7/511, 550.1, 553.1, 553.2, 566, 568,  
D7/601, 602, 614, 615, 629, 701, 703,  
D7/707, 708, 401.1, 558, 600.1, 605, 610,  
D7/624.1, 624.2, 631, 633; D9/414, 416,  
D9/424, 425, 426, 427, 428, 430, 432,  
D9/433, 434, 435, 436, 455, 456, 601,  
D9/602, 634, 701, 703, 707, 708, 715,  
D9/721, 732, 736, 761; D19/34.1, 34.2,  
D19/34.4, 75, 96, 97, 102, 105, 106, 107,  
D19/191; D25/119, 120, 121, 122, 123,  
D25/126, 129, 138, 142; D6/300, 512,  
D6/702, 706, 717, 719; D20/43, 44;  
D24/121, 216, 224, 227, 229  
CPC ..... B65B 11/045; B65B 31/028; B65D 91/04;  
B65D 81/02; B65D 81/054; B65D  
81/052; B65D 71/04; B65D 5/04; B65D  
5/105; B65D 5/5035; B65D 5/0004;  
B65D 5/4212; B65D 5/503; B65D

**U.S. PATENT DOCUMENTS**

4,202,090 A \* 5/1980 Cook ..... B05B 13/0405  
248/49  
D270,621 S \* 9/1983 Sala ..... D9/456  
4,511,039 A \* 4/1985 Siemek ..... A47G 21/001  
206/525  
D349,050 S \* 7/1994 Krupa ..... D9/418  
5,899,353 A 5/1999 Sabin et al.  
D423,930 S \* 5/2000 Rondolino ..... D9/430

(Continued)

**FOREIGN PATENT DOCUMENTS**

JP 2000-289780 10/2000  
JP 2001-322629 11/2001

*Primary Examiner* — Catherine S Posthauer  
(74) *Attorney, Agent, or Firm* — Kile Park Reed &  
Houtteman PLLC

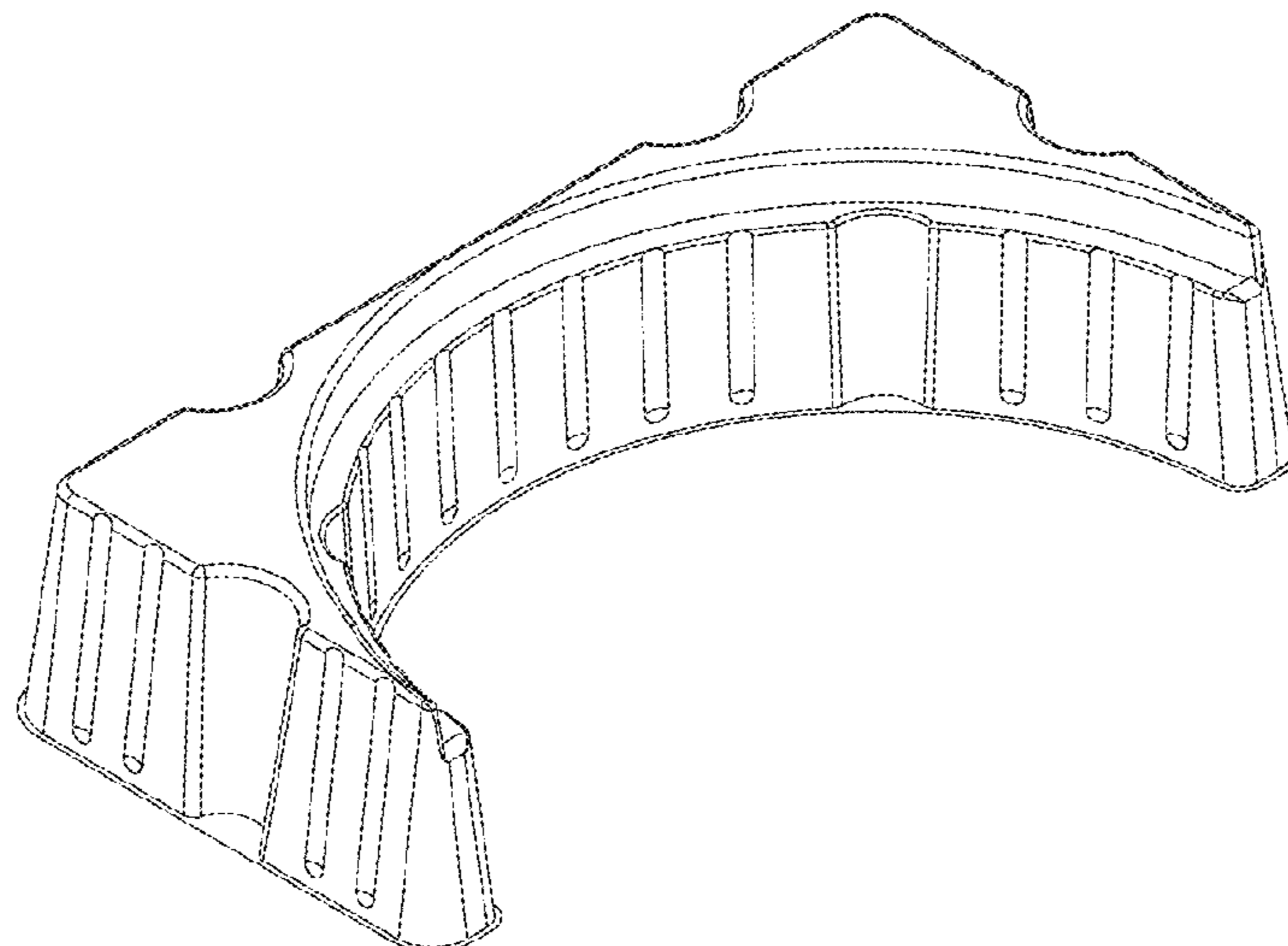
(57) **CLAIM**

I claim, the ornamental design for a fixing frame for cake packaging, as shown and described.

**DESCRIPTION**

FIG. 1 is a top and front perspective view of a fixing frame for cake packaging, showing my new design;  
FIG. 2 is a front view thereof;  
FIG. 3 is a rear view thereof;  
FIG. 4 is a left side view thereof;  
FIG. 5 is a right side view thereof;  
FIG. 6 is a top view thereof; and,  
FIG. 7 is a bottom view thereof.

**1 Claim, 3 Drawing Sheets**



(56)

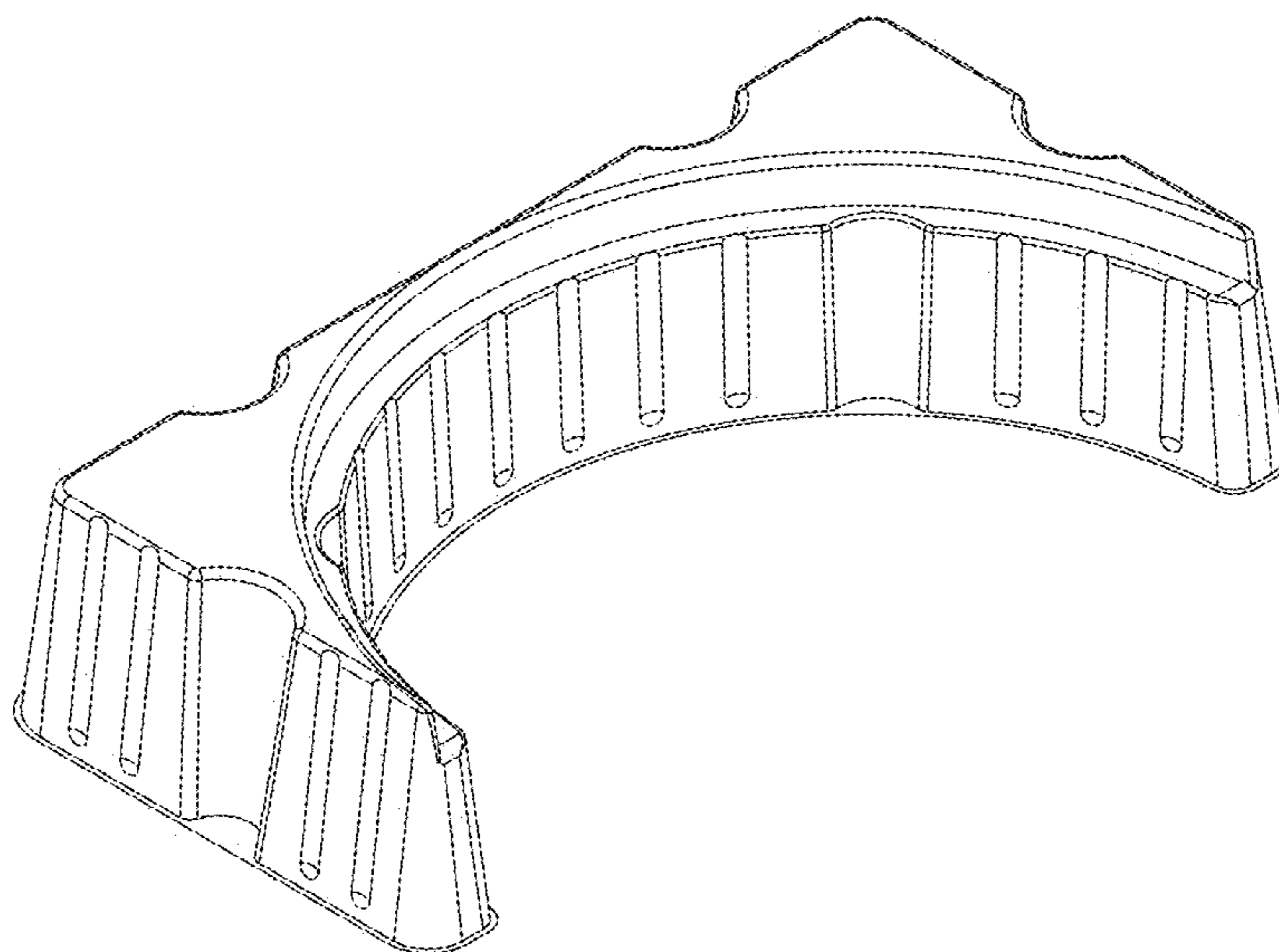
**References Cited**

U.S. PATENT DOCUMENTS

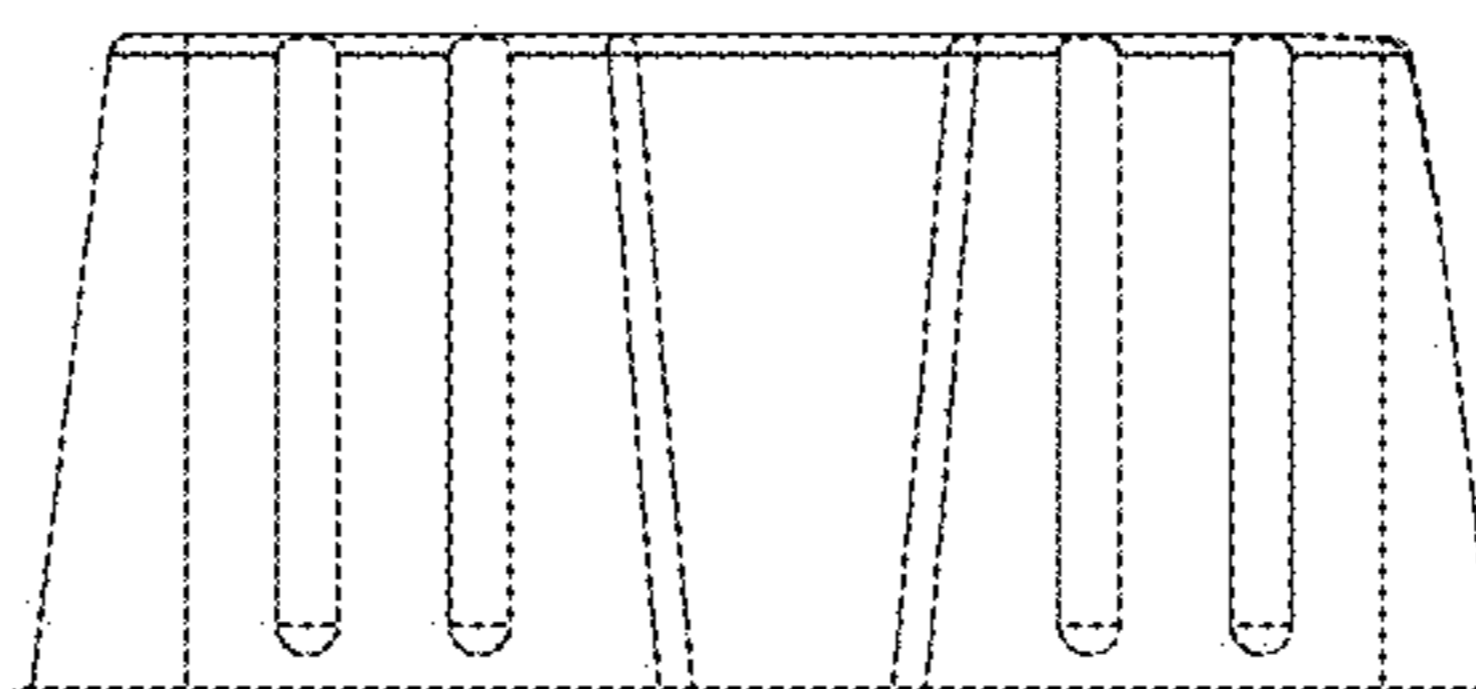
D461,714 S *	8/2002	Hamada .....	D9/456
D552,765 S *	10/2007	Ault .....	D25/138
D563,787 S *	3/2008	Harvey .....	D9/456
D664,851 S *	8/2012	Burns .....	D9/456
D673,853 S *	1/2013	Burns .....	D9/456
D734,485 S *	7/2015	Oonuma .....	D24/216
D825,274 S *	8/2018	Davison .....	D7/602
2019/0062029 A1 *	2/2019	Bao .....	B65D 81/05

\* cited by examiner

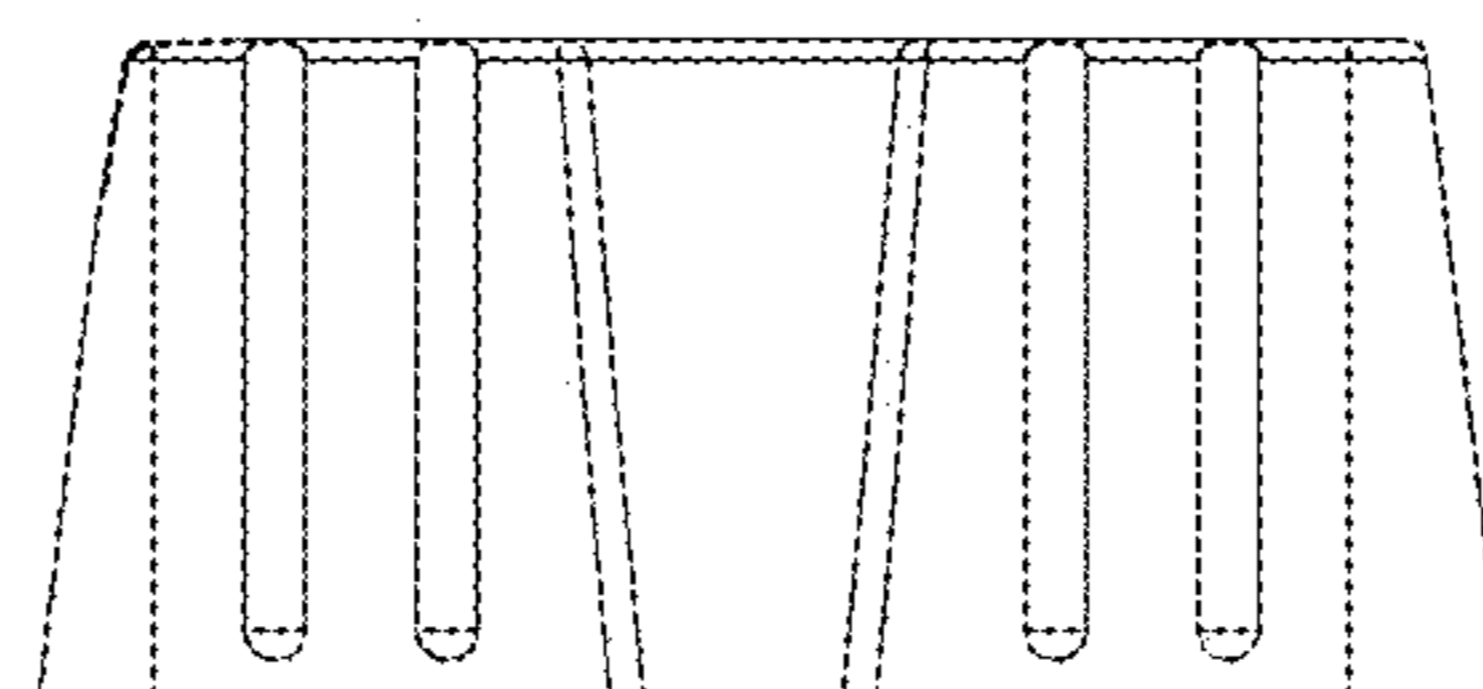
【 FIG. 1 】



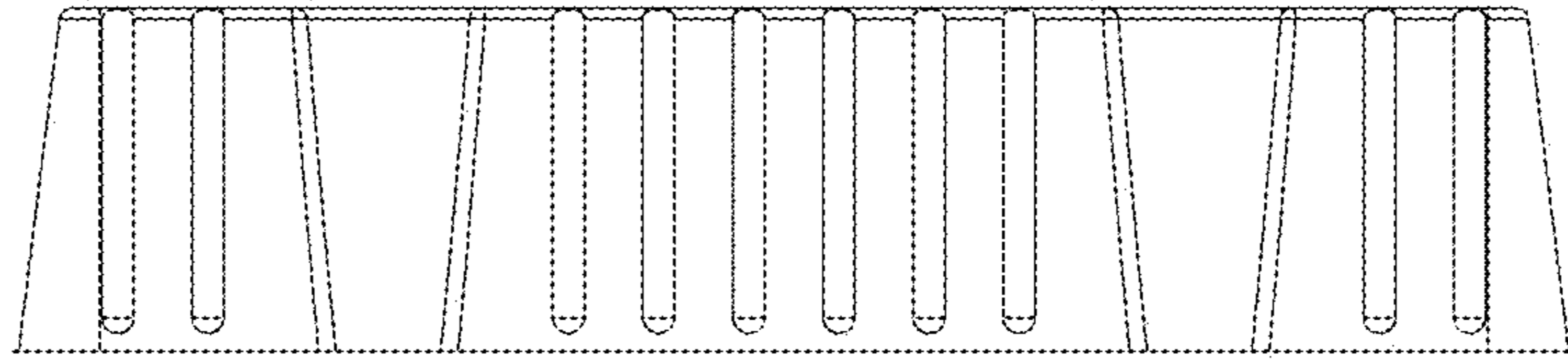
【 FIG. 2 】



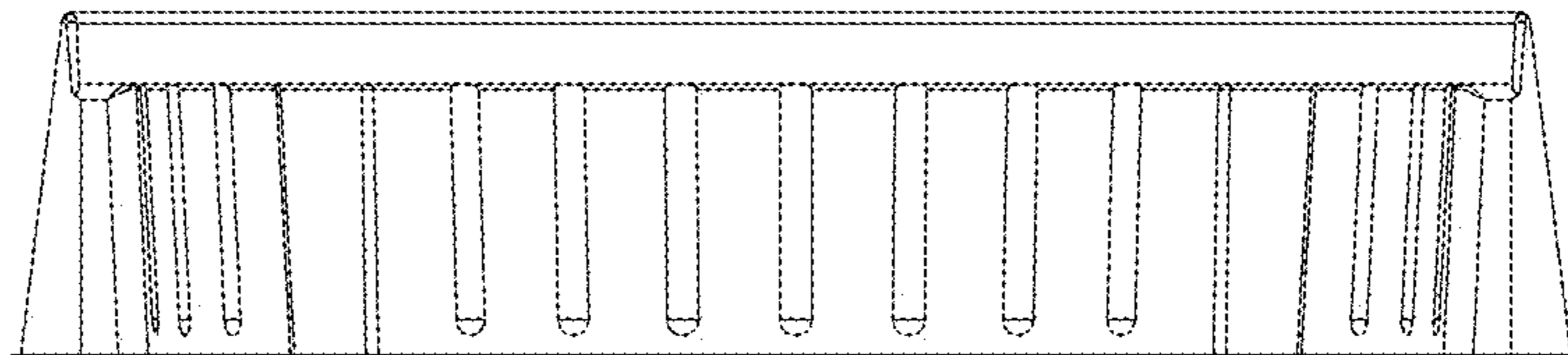
【 FIG. 3 】



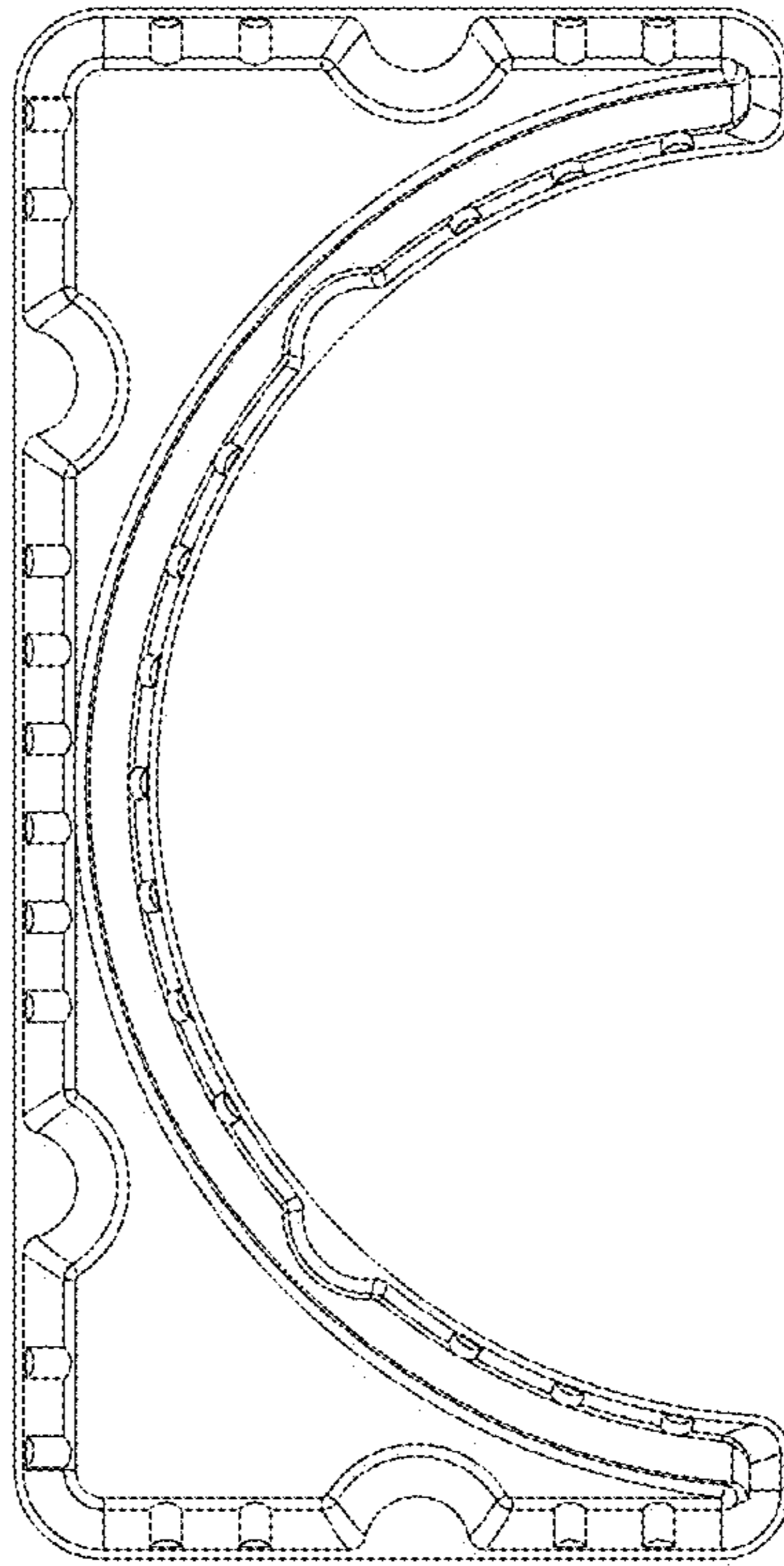
【 FIG. 4 】



【 FIG. 5 】



【 FIG. 6 】



【 FIG. 7 】

