



US00D907494S

(12) **United States Design Patent**
Yoshida

(10) **Patent No.:** **US D907,494 S**

(45) **Date of Patent:** **** Jan. 12, 2021**

(54) **PLASTIC COVER**

(71) Applicant: **DAIKYO SEIKO, LTD.**, Tochigi (JP)

(72) Inventor: **Takayuki Yoshida**, Tochigi (JP)

(73) Assignee: **DAIKYO SEIKO, LTD.**, Tochigi (JP)

(**) Term: **15 Years**

(21) Appl. No.: **29/683,126**

(22) Filed: **Mar. 11, 2019**

(51) **LOC (13) Cl.** **09-07**

(52) **U.S. Cl.**
USPC **D9/454**; D9/443

(58) **Field of Classification Search**

USPC D3/201, 202, 242, 243, 272, 276, 304,
D3/308, 315, 318; D7/387, 601, 602,
D7/392.1, 396.2, 509, 510, 629, 523, 630;
D9/434, 499, 435-440, 443, 445-450,
D9/454, 504, 737, 744, 745, 754, 452,
D9/453, 520

CPC B65D 1/0223; B65D 23/12; B65D 41/04;
B65D 51/24; A61L 9/12

See application file for complete search history.

(56) **References Cited**

U.S. PATENT DOCUMENTS

D261,486 S	*	10/1981	Smith	D9/452
D600,120 S		9/2009	Kawamura		
D630,944 S		1/2011	Kawamura		
D678,769 S		3/2013	Kawamura		
D678,770 S		3/2013	Kawamura		
D678,771 S		3/2013	Kawamura		
D717,104 S	*	11/2014	Redfern	D7/392.1
D718,133 S	*	11/2014	Fraser	D9/436
D752,975 S	*	4/2016	Gatto	D9/434
D774,887 S	*	12/2016	Torrison	D9/416
D795,068 S	*	8/2017	Lefebvre	D9/454
D826,047 S	*	8/2018	Griffis	D9/452
D827,435 S	*	9/2018	Griffis	D9/443

(Continued)

OTHER PUBLICATIONS

Daikyo. Flurotec Closures. No date specified. <http://www.daikyoseiko.jp/english/rubber/laminated.html> (Year: 0).*

(Continued)

Primary Examiner — Darcey E Gottschalk

(74) *Attorney, Agent, or Firm* — Hamre, Schumann, Mueller & Larson, P.C.

(57) **CLAIM**

The ornamental design for a plastic cover, as shown and described.

DESCRIPTION

FIG. 1 is a top perspective view of a plastic cover showing our design;

FIG. 2 is a bottom perspective view thereof;

FIG. 3 is a top plan view thereof;

FIG. 4 is a bottom plan view thereof;

FIG. 5 is a front elevational view thereof, the left, right, and rear elevational views being identical thereto;

FIG. 6 is a cross sectional view thereof along the line 6-6 in FIG. 3;

FIG. 7 is an enlarged view of the left end portion of the cross sectional view thereof as indicated in FIG. 6;

FIG. 8 is an enlarged view of the right end portion of the cross sectional view thereof as indicated in FIG. 6;

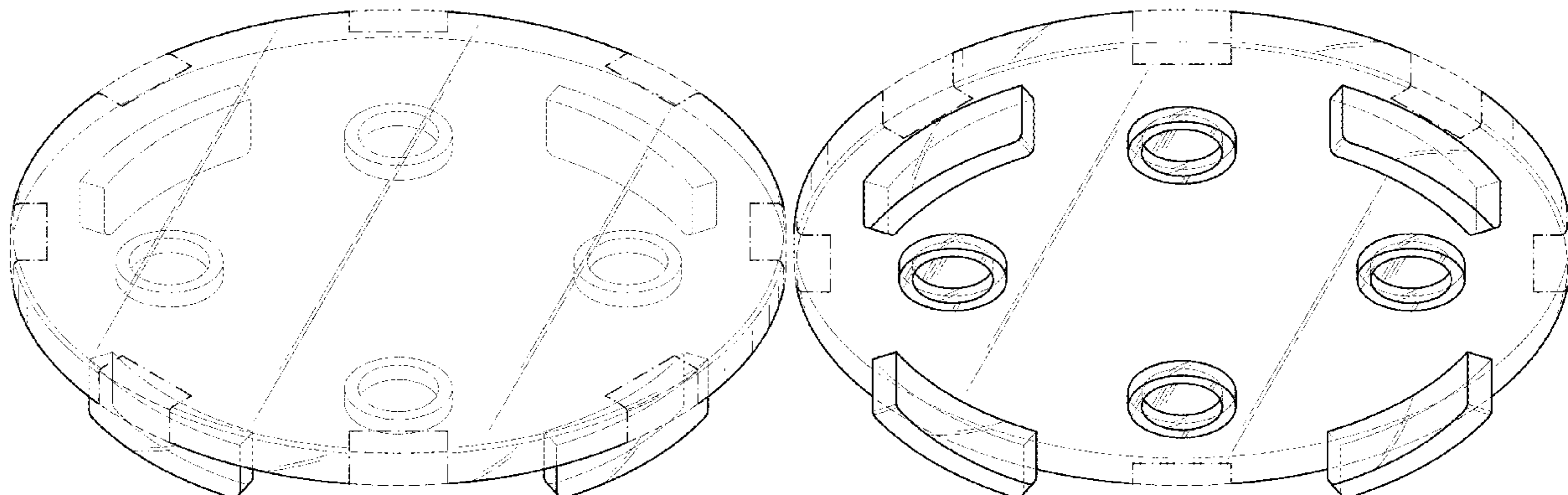
FIG. 9 is a top perspective view of the plastic cover shown in an environment of use; and,

FIG. 10 is a cross sectional view of the plastic cover shown in the environment of use along the line 10-10 in FIG. 9.

The broken lines in FIGS. 1-10 indicate unclaimed portions and environment and form no part of the claimed design.

The dot-dash lines in FIGS. 1-10 define the bounds of the claimed design and form no part thereof.

1 Claim, 7 Drawing Sheets



(56)

References Cited

U.S. PATENT DOCUMENTS

D854,878 S * 7/2019 Duvigneau D7/391
D866,248 S * 11/2019 Baron D7/391
D875,525 S * 2/2020 Griffis D9/443
D876,236 S * 2/2020 Griffis D9/452
2012/0118894 A1 5/2012 Kawamura et al.

OTHER PUBLICATIONS

“Flurotec Closures”, Daikyo, available at <http://www.daikyoseiko.jp/english/rubber/laminated.html>, no date specified, 1 page (cited in the Restriction Requirement dated Apr. 28, 2020 in U.S. Appl. No. 29/683,124).

37 CFR 1.132 Declaration for U.S. Appl. No. 13/282,884, filed Jul. 20, 2018, 12 pages.

* cited by examiner

Fig. 1

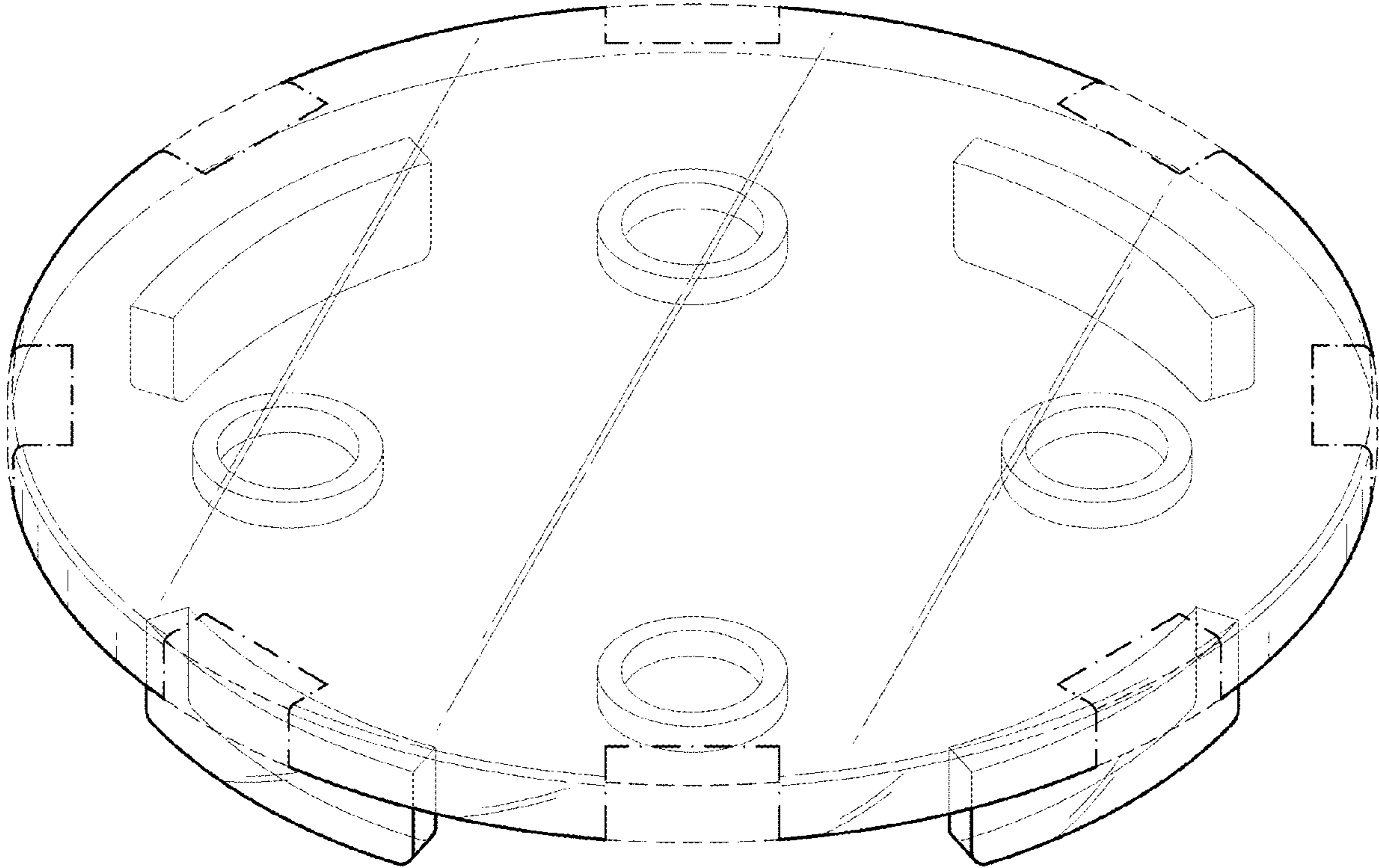


Fig. 2

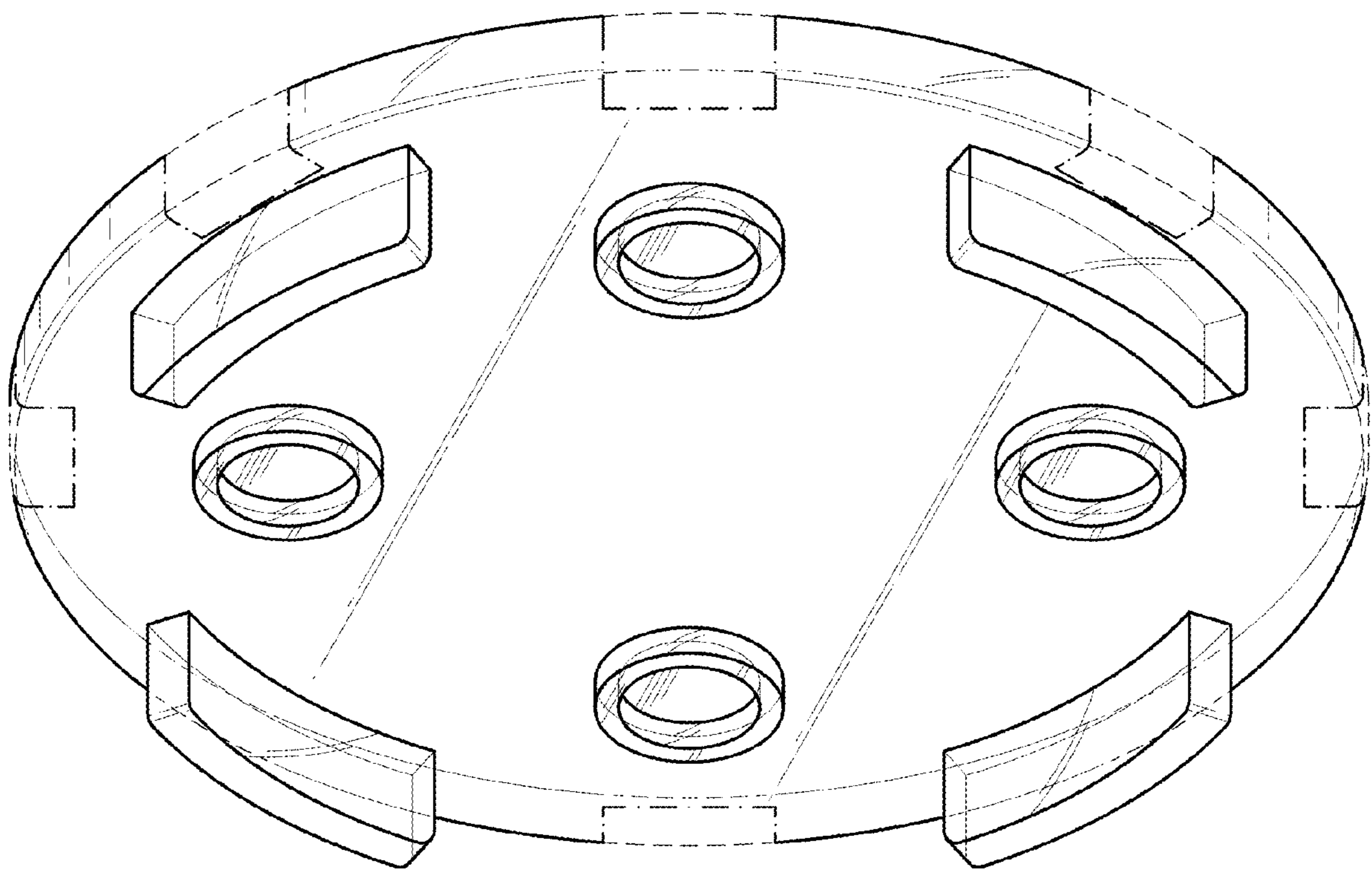


Fig. 3

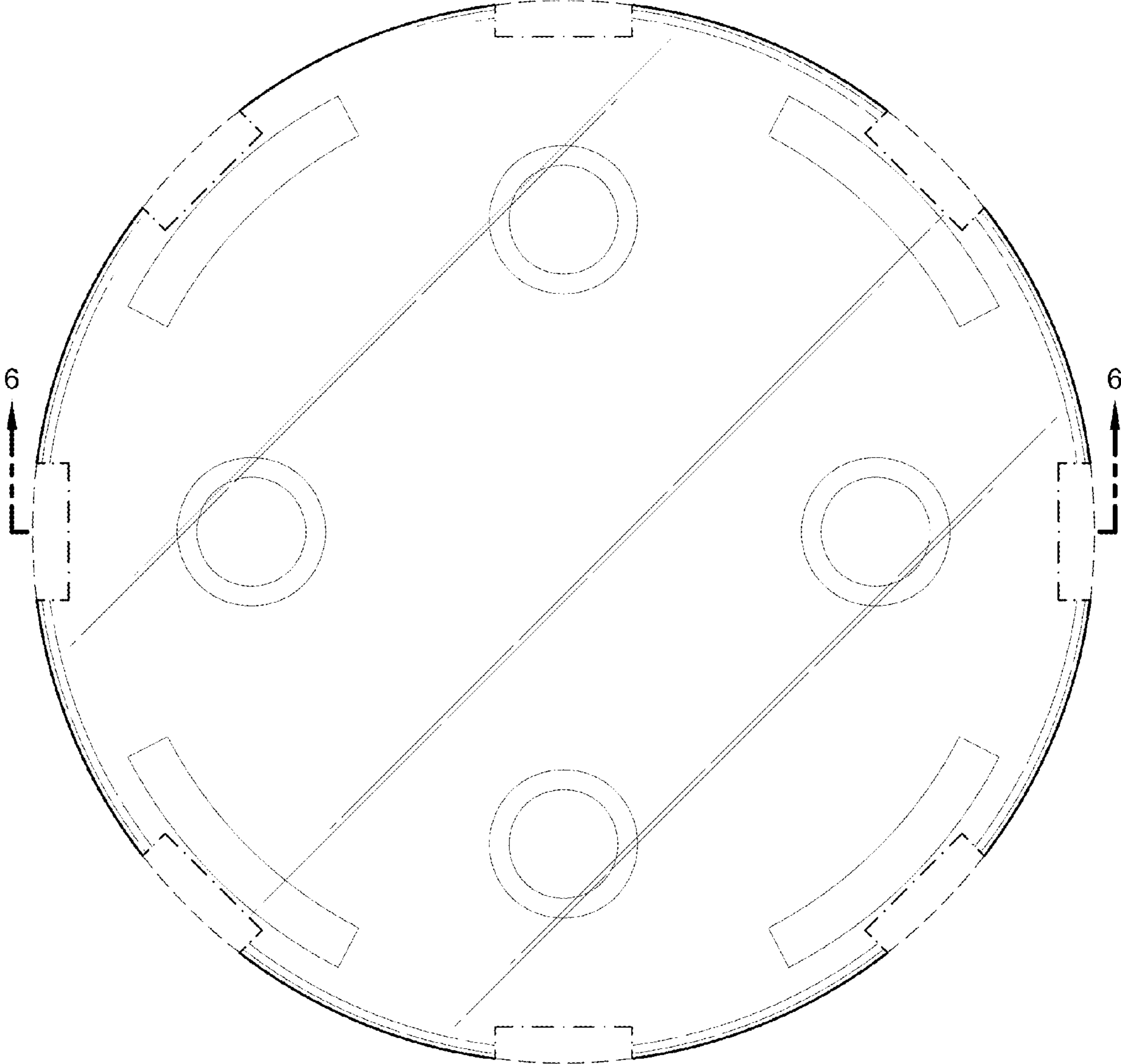


Fig. 4

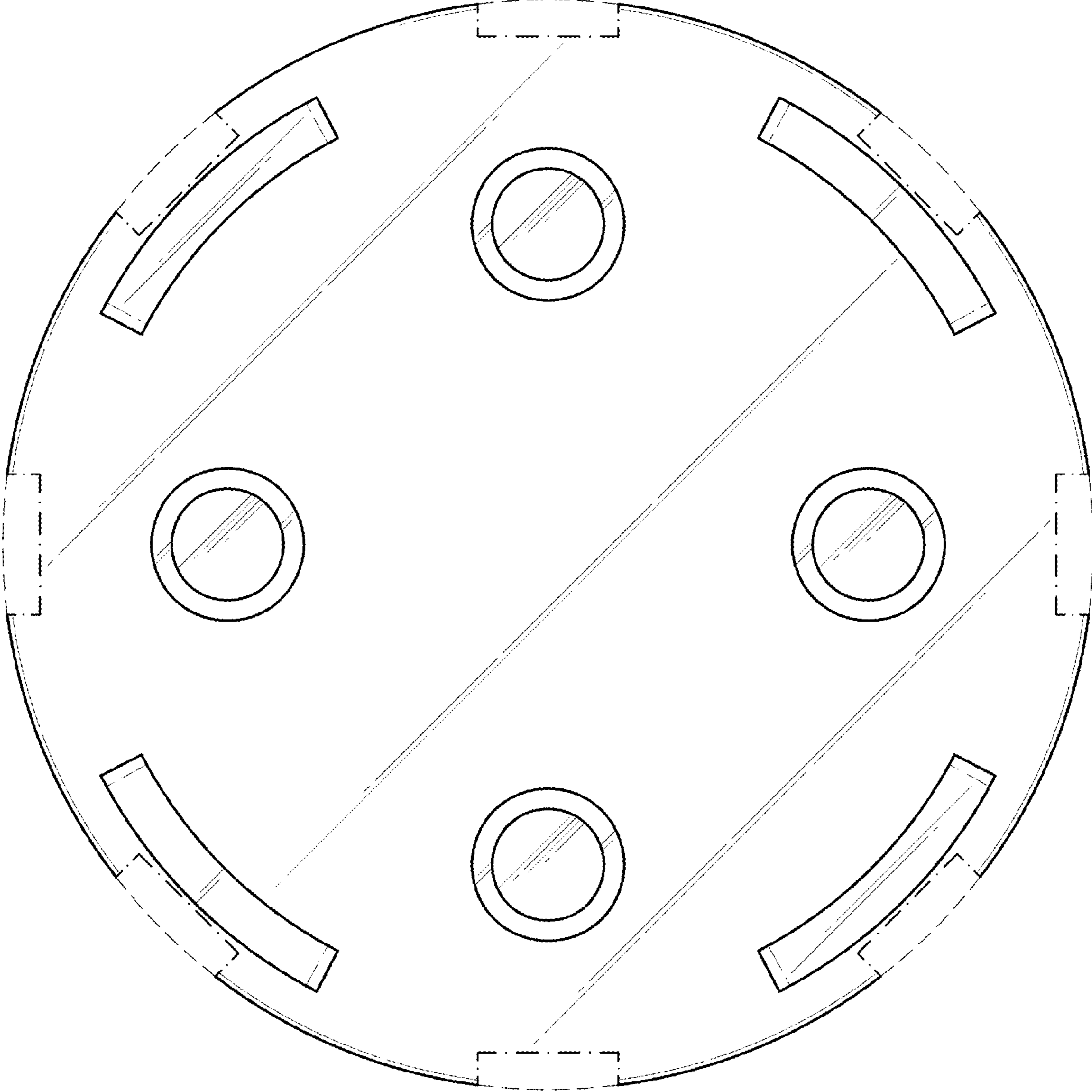


Fig. 5

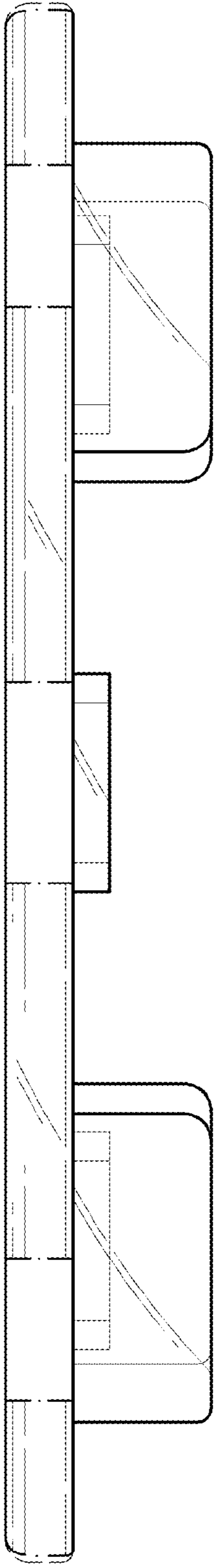


Fig. 6

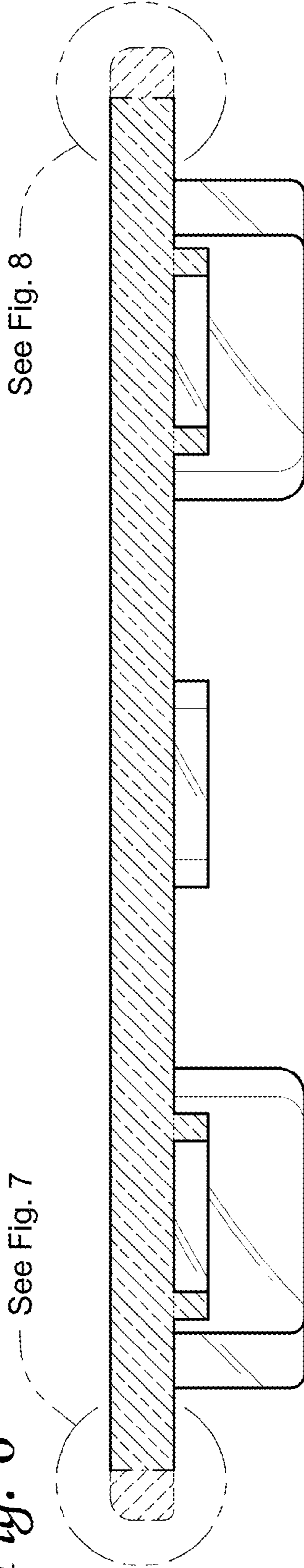


Fig. 7

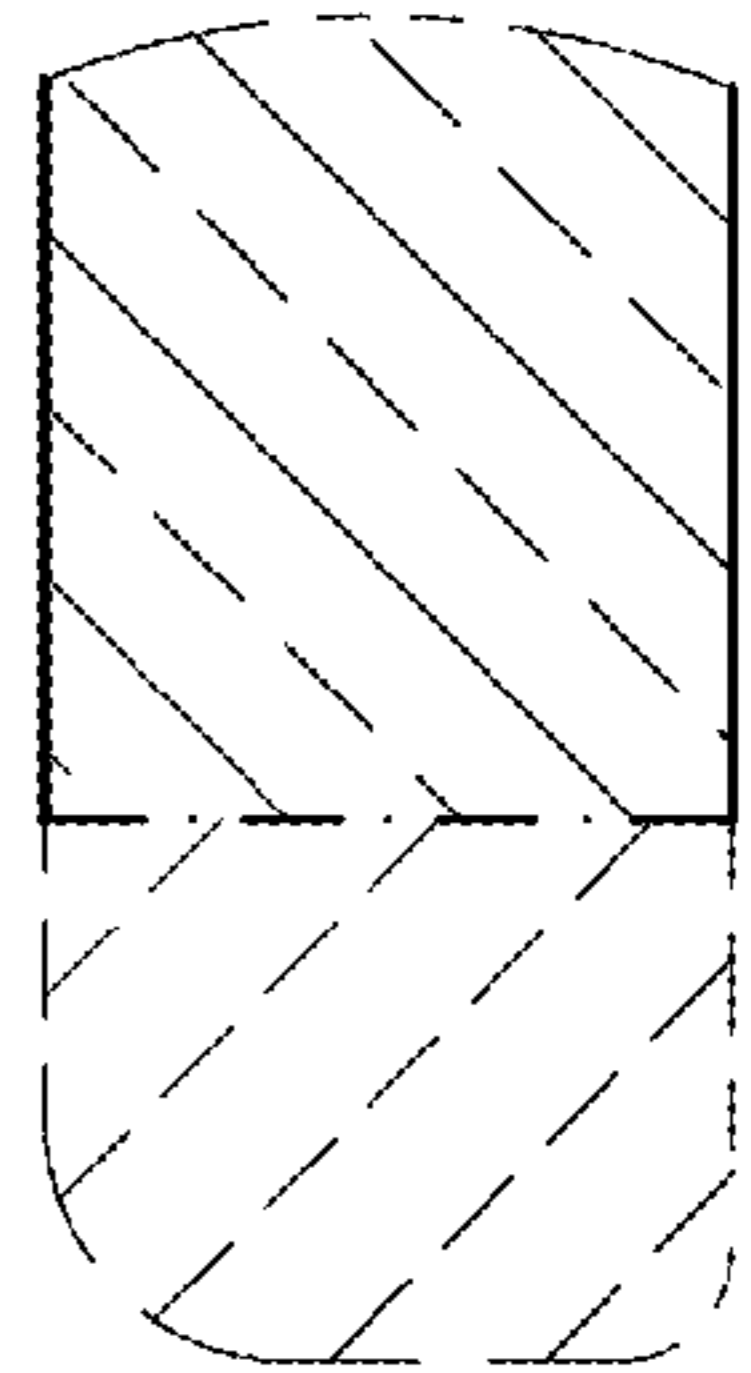


Fig. 8

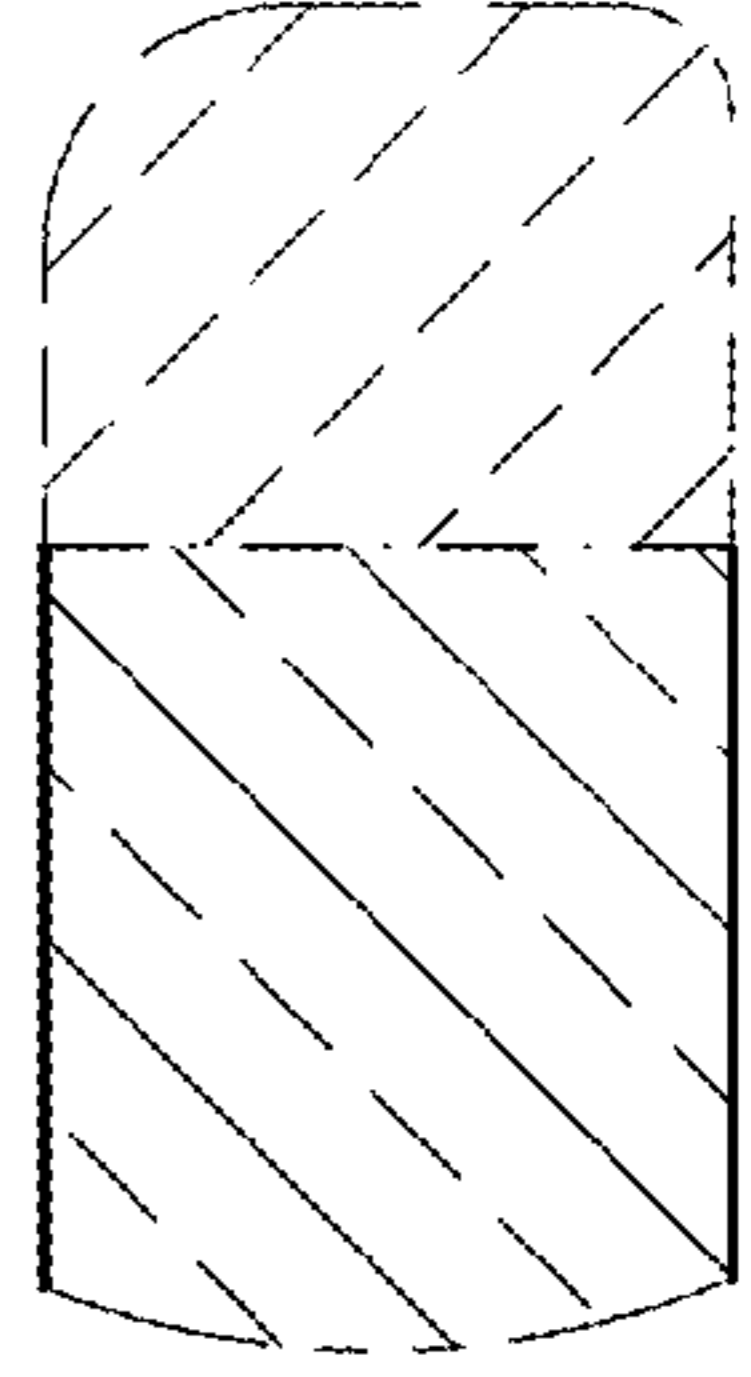


Fig. 9

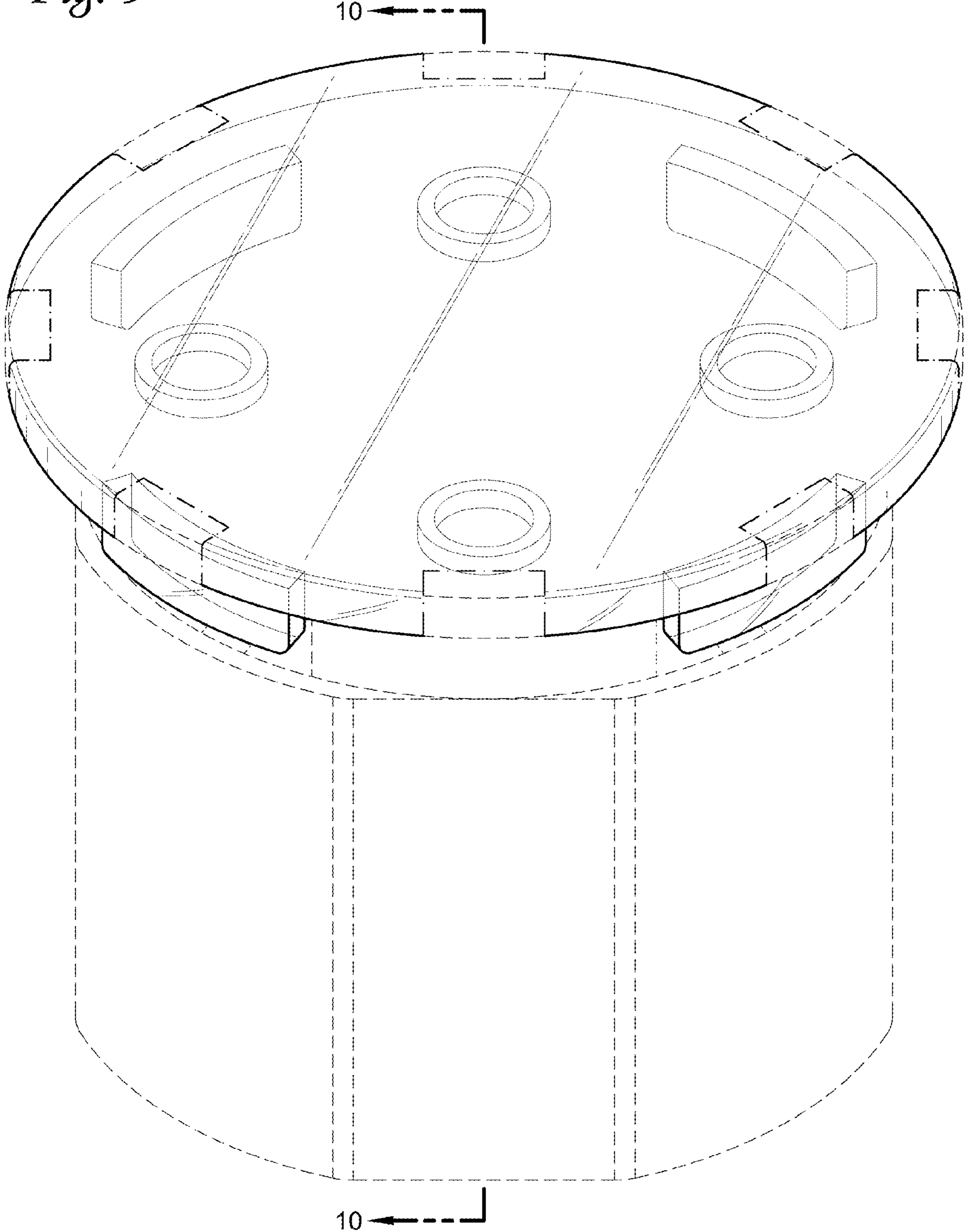


Fig. 10

