



US00D907492S

(12) **United States Design Patent** (10) **Patent No.:** **US D907,492 S**  
**Jiménez Gálvez** (45) **Date of Patent:** **\*\* Jan. 12, 2021**

(54) **CAP FOR A BOTTLE**  
(71) Applicant: **COMPAÑÍA DE TAPONES IRRELLENABLES, S.A.**, Jerez de la Frontera—Cádiz (ES)  
(72) Inventor: **Eduardo Jiménez Gálvez**, Jerez de la Frontera—Cádiz (ES)  
(73) Assignee: **COMPAÑÍA DE TAPONES IRRELLENABLES, S.A.**, Jerez de la Frontera—Cádiz (ES)

D540,173 S \* 4/2007 Obuchi ..... D9/452  
D545,677 S \* 7/2007 Mavin ..... D9/452  
D679,186 S \* 4/2013 Brown ..... D9/452  
D806,544 S \* 1/2018 Williams ..... D9/445  
D813,671 S \* 3/2018 Arthur, IV ..... D9/452  
D817,760 S \* 5/2018 Petrosino ..... D9/452  
D828,161 S \* 9/2018 Collins ..... D9/452  
D846,987 S \* 4/2019 Neputy ..... D9/453  
D848,843 S \* 5/2019 Uetsuki ..... D9/452  
D885,905 S \* 6/2020 Neputy ..... D9/453  
2012/0138561 A1\* 6/2012 Brozell ..... B65D 50/041  
215/220

(\*\*) Term: **15 Years**  
(21) Appl. No.: **29/667,873**  
(22) Filed: **Oct. 25, 2018**  
(51) **LOC (13) Cl.** ..... **09-07**  
(52) **U.S. Cl.**  
USPC ..... **D9/452**  
(58) **Field of Classification Search**  
USPC ..... D9/414, 424, 425, 428, 432, 434, 435,  
D9/436, 439, 440, 443–450, 452–457,  
D9/499, 503, 682, 685, 686; D7/387,  
D7/391, 392, 392.1, 396.2, 510, 511, 538,  
D7/900; D3/202, 203.2; D28/91, 91.1;  
D23/249, 260; D8/397  
CPC .. A61J 1/00; A61J 1/1412; B65D 1/00; B65D  
1/02; B65D 1/10; B65D 1/46; B65D  
5/46; B65D 41/00; B65D 41/38; B65D  
41/56; B65D 41/62; B65D 47/00; B65D  
47/06; B65D 47/08; B65D 2251/00;  
B65D 2543/00046; B65D 2543/00092;  
B65D 2543/00296  
See application file for complete search history.

**FOREIGN PATENT DOCUMENTS**

CO 10606-0001 \* 1/2019  
EM 001661273-0008 1/2010  
EP 2088091 5/2013  
ES 2220191 4/2005

\* cited by examiner

*Primary Examiner* — Wendy L Arminio  
(74) *Attorney, Agent, or Firm* — Thomas | Horstemeyer,  
LLP

(57) **CLAIM**

The ornamental design for a cap for a bottle, as shown and described.

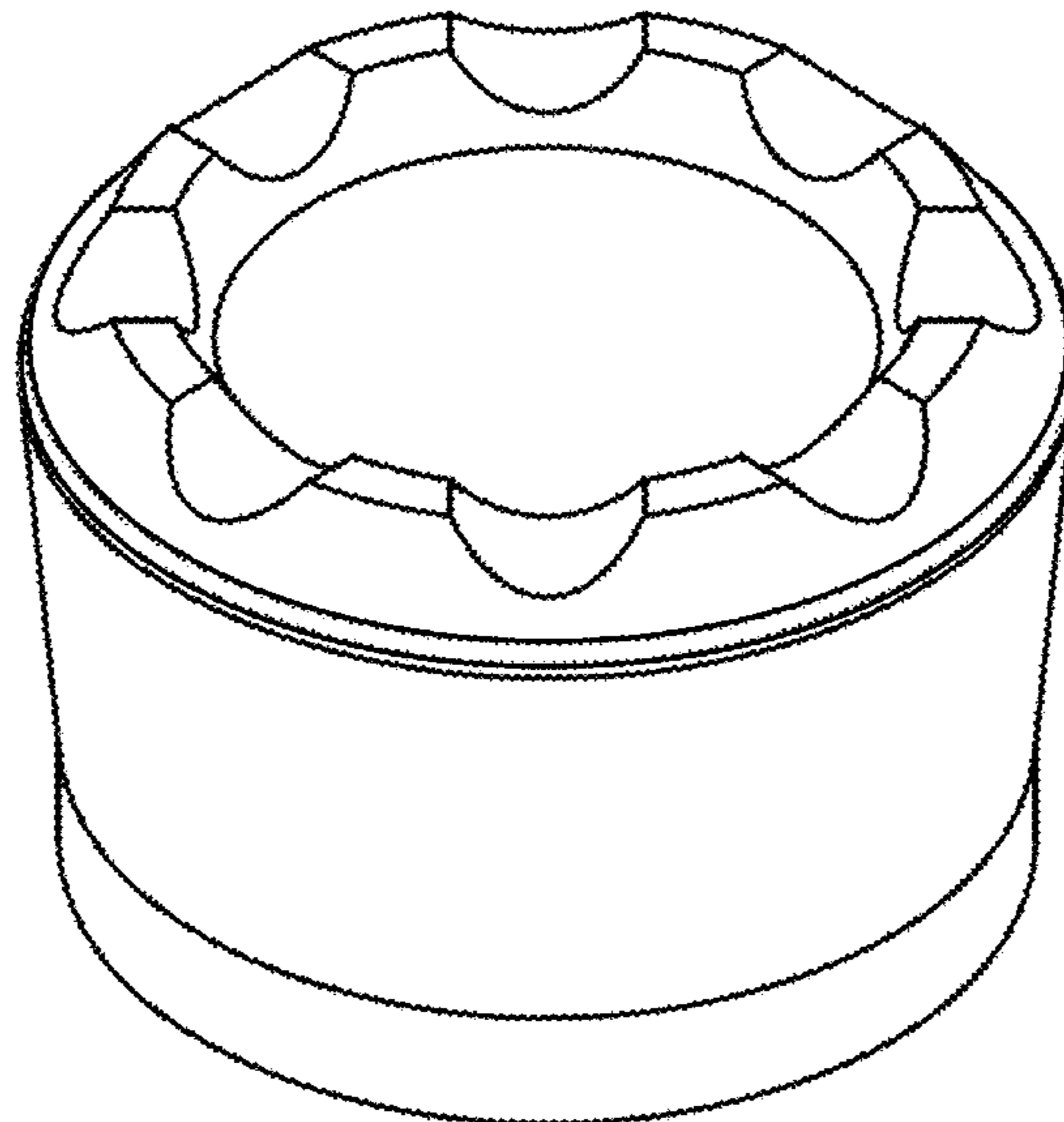
**DESCRIPTION**

FIG. 1 is a perspective view of a cap for a bottle, showing my new design;  
FIG. 2 is a top view thereof;  
FIG. 3 is a front view thereof;  
FIG. 4 is a back view thereof, opposite that of FIG. 3;  
FIG. 5 is a side view thereof; and,  
FIG. 6 is a side view thereof, from a side opposite that of FIG. 5.

(56) **References Cited**  
U.S. PATENT DOCUMENTS

D18,622 S \* 9/1888 Curtice ..... D9/452  
D394,005 S \* 5/1998 Marijnissen ..... D9/428

**1 Claim, 6 Drawing Sheets**



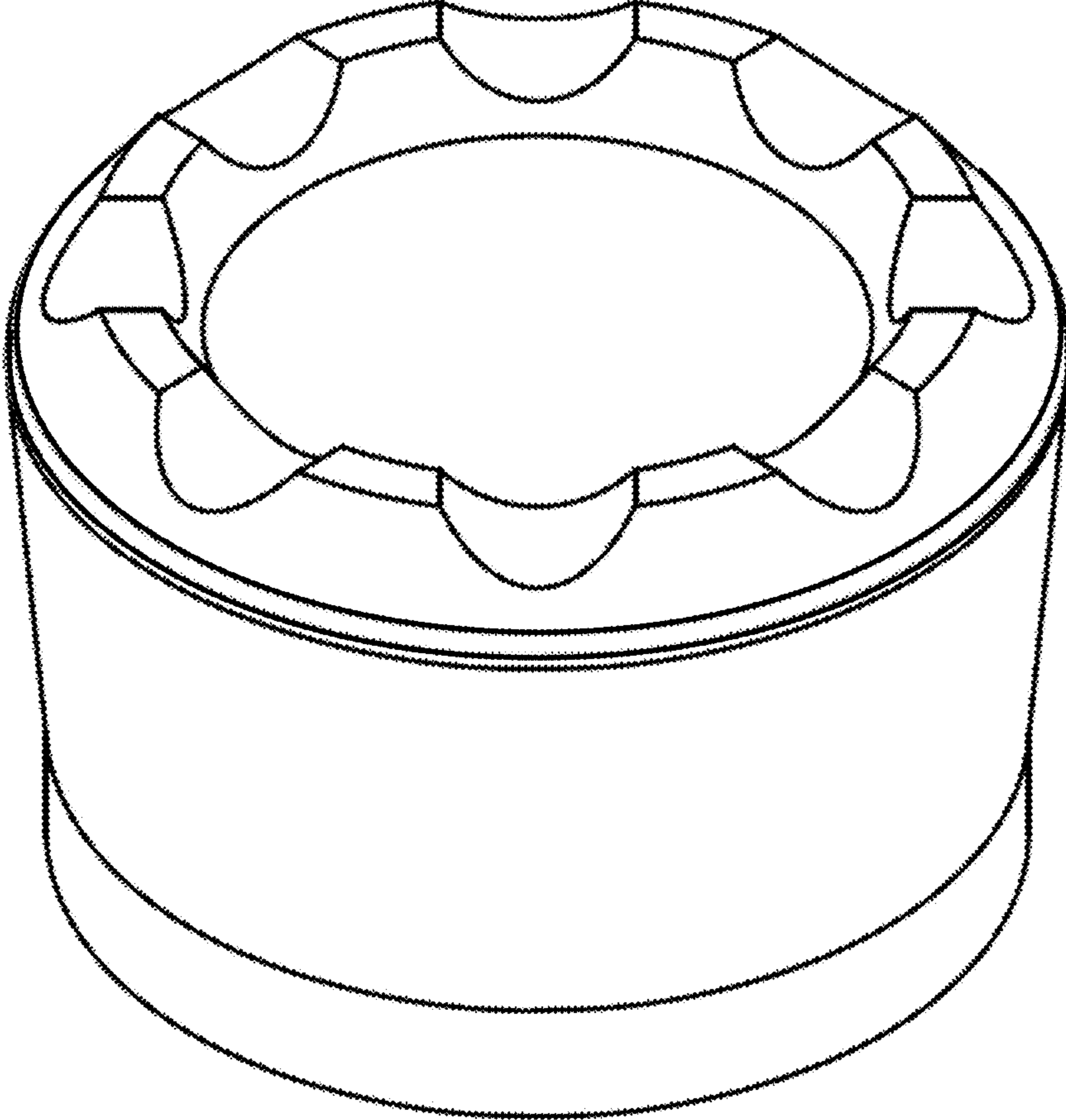


FIG. 1

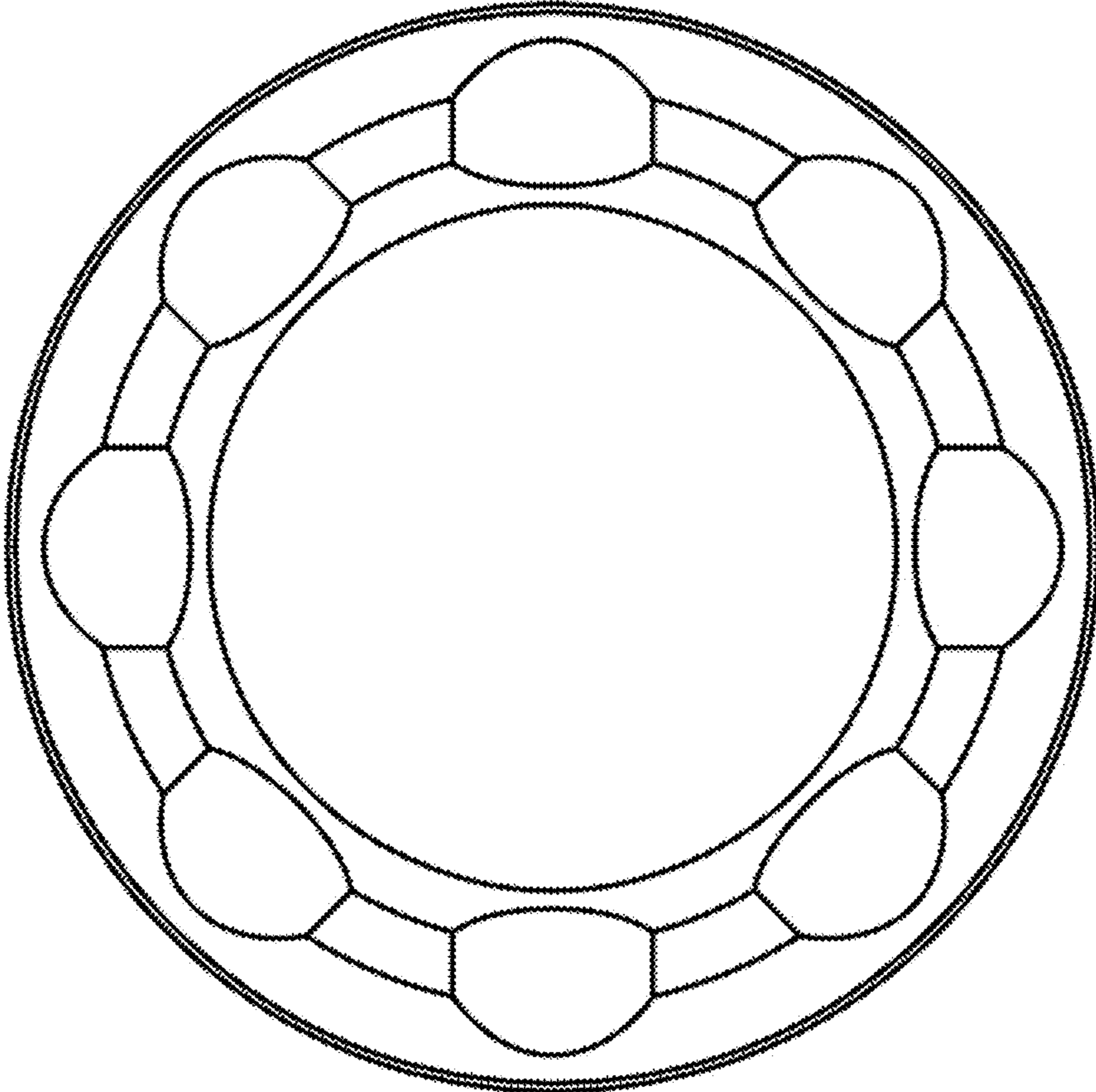


FIG. 2

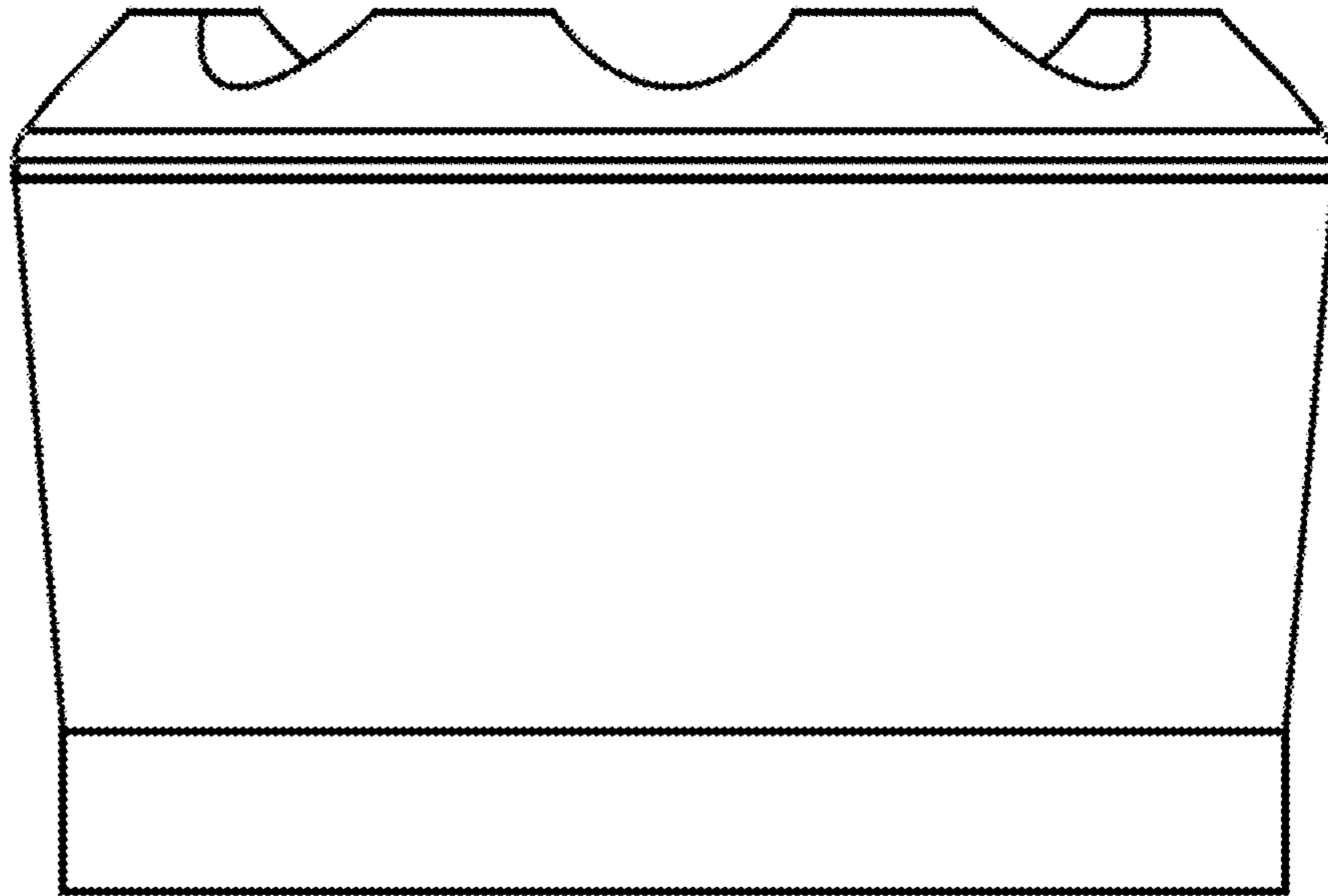


FIG. 3

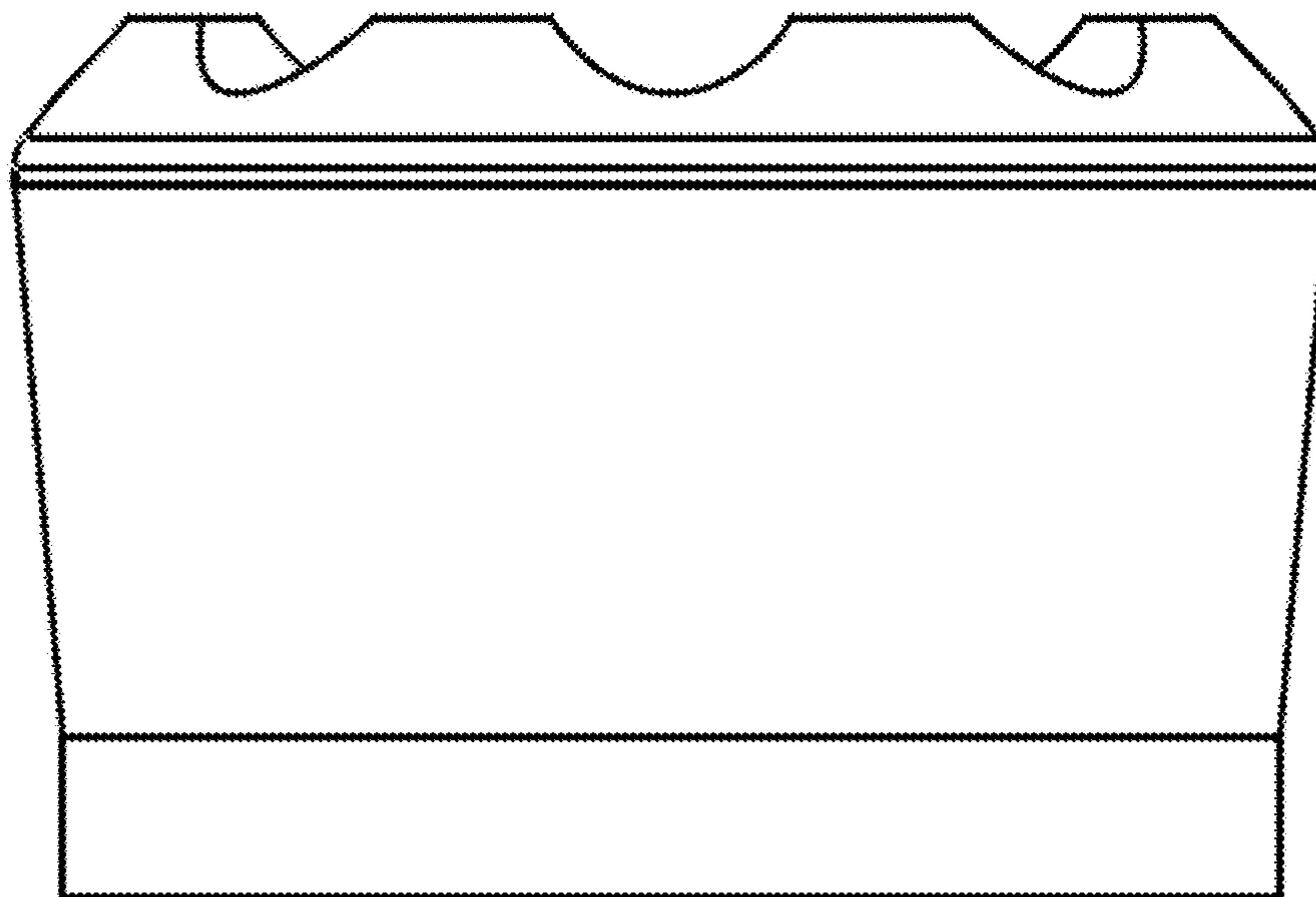


FIG. 4

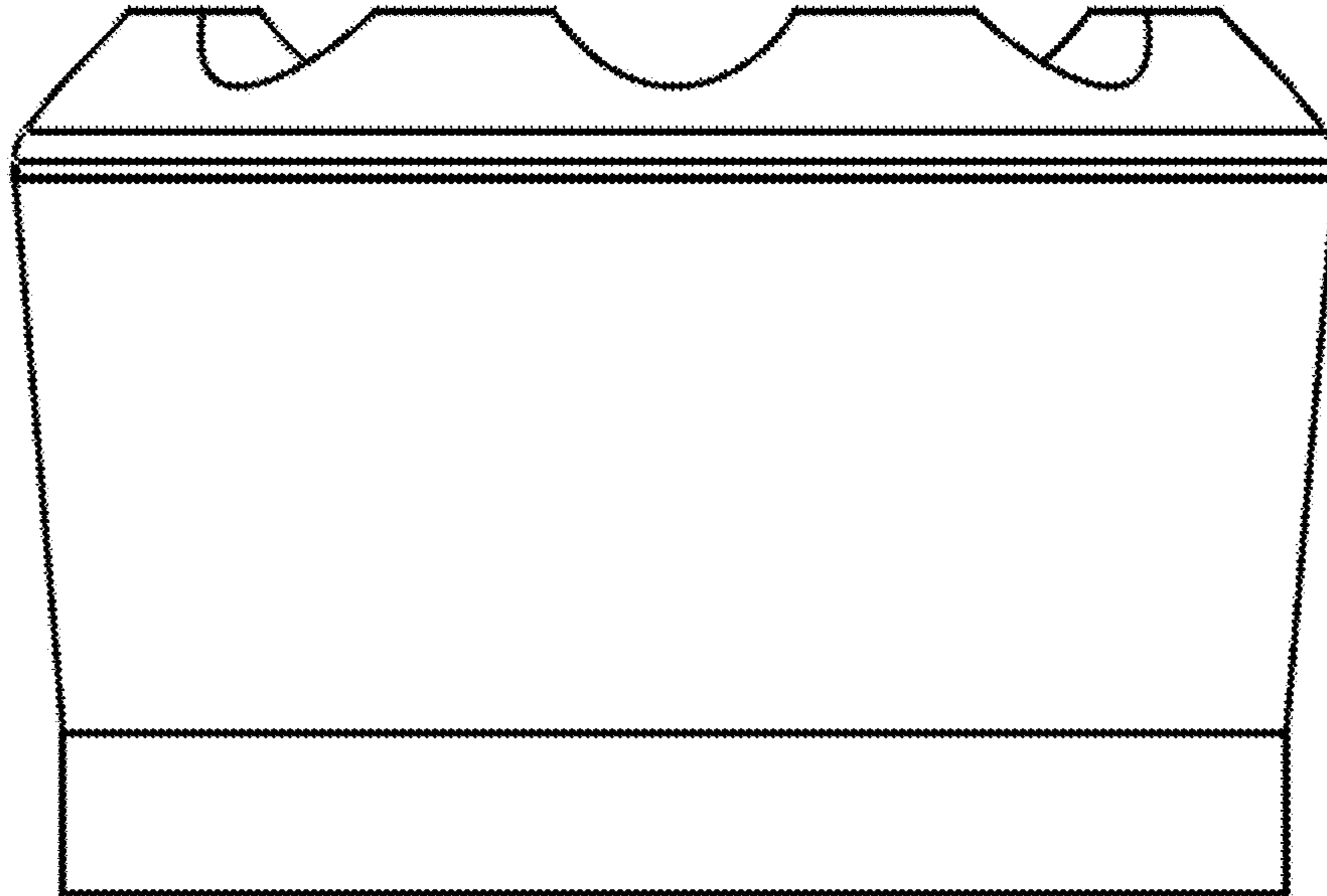


FIG. 5

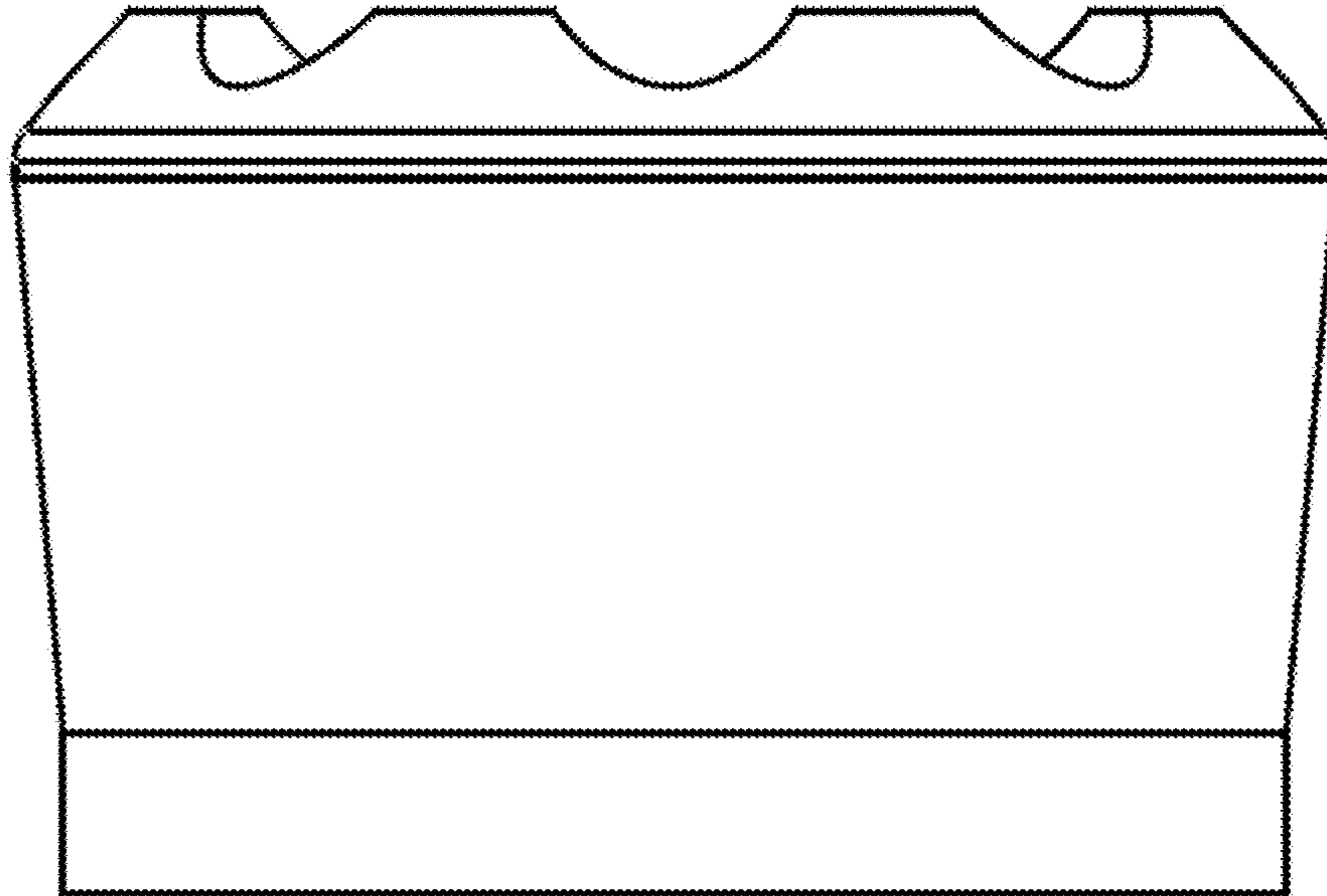


FIG. 6