

US00D907490S

(12) **United States Design Patent** (10) **Patent No.:** **US D907,490 S**
Pellingra (45) **Date of Patent:** **** Jan. 12, 2021**

(54) **ONE HANDED DISPENSING POUCH**

(71) Applicant: **PROAMPAC HOLDINGS INC.,**
Cincinnati, OH (US)

(72) Inventor: **Salvatore J. Pellingra,** Newport, KY
(US)

(73) Assignee: **PROAMPAC HOLDINGS INC.,**
Cincinnati, OH (US)

(**) Term: **15 Years**

(21) Appl. No.: **29/653,270**

(22) Filed: **Jun. 13, 2018**

Related U.S. Application Data

(63) Continuation-in-part of application No. 29/629,843,
filed on Dec. 15, 2017.

(51) **LOC (13) Cl.** **09-07**

(52) **U.S. Cl.**
USPC **D9/443**

(58) **Field of Classification Search**
USPC D7/392, 392.1, 396.2, 393, 648, 687,
D7/709; D9/434, 436, 443, 446, 499,
(Continued)

(56) **References Cited**

U.S. PATENT DOCUMENTS

D24,291 S * 5/1895 Somer D34/28
D158,307 S * 4/1950 Molitor D7/687
(Continued)

Primary Examiner — Darcey E Gottschalk
(74) *Attorney, Agent, or Firm* — McLane Middleton,
Professional Association

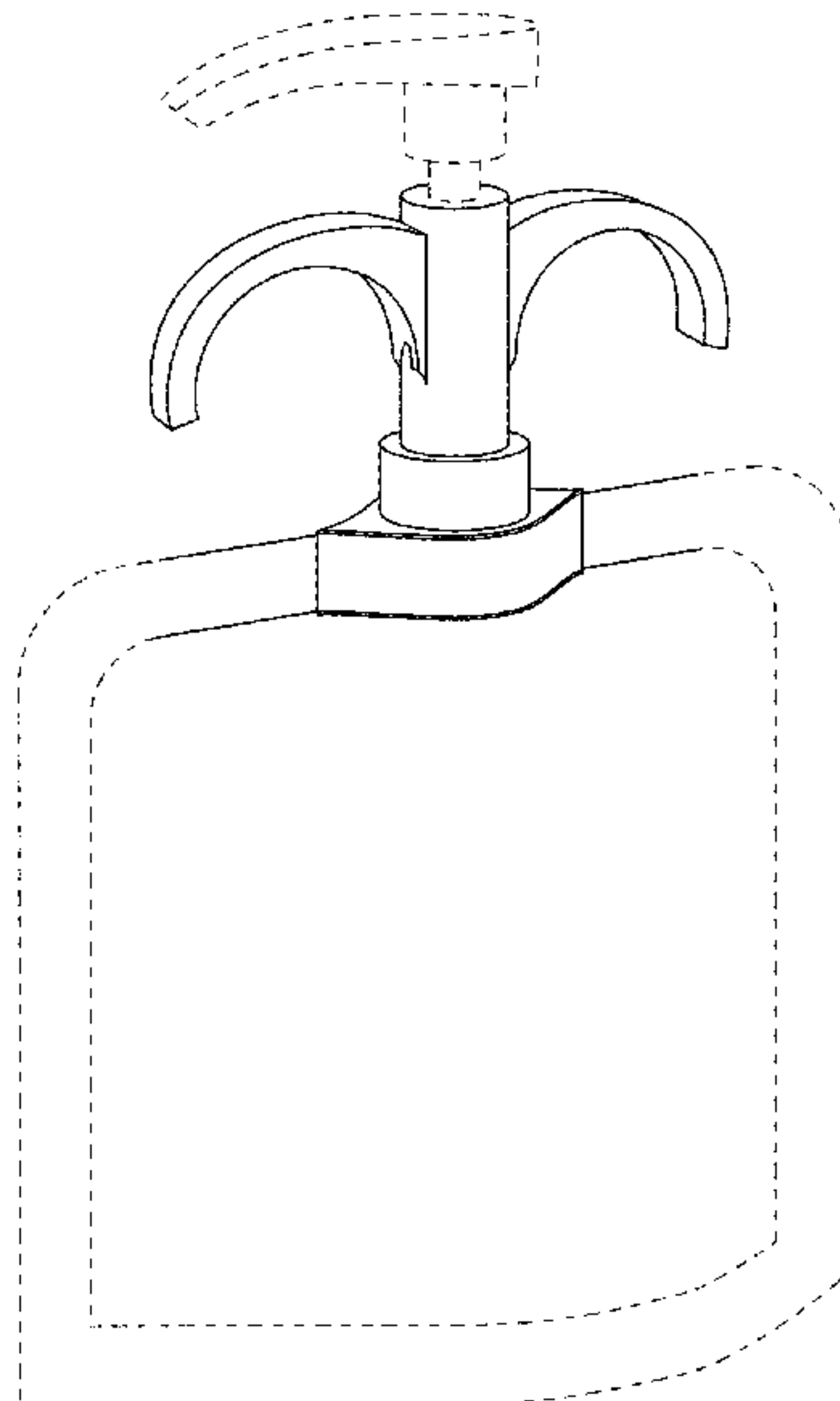
(57) **CLAIM**

The ornamental design for a one handed dispensing pouch,
substantially as shown and described.

DESCRIPTION

FIG. 1 is a front perspective view of a one handed dispensing pouch in accordance with one form of the present invention; FIG. 2 is a top plan view of the one handed dispensing pouch of FIG. 1; FIG. 3 is a front elevation view of the one handed dispensing pouch affixed to a pouch of FIG. 1; FIG. 4 is a right side elevation view of the one handed dispensing pouch of FIG. 1; FIG. 5 is a front perspective view of a one handed dispensing pouch in accordance with a second form of the present invention; FIG. 6 is a top plan view of the one handed dispensing pouch of FIG. 5; FIG. 7 is a front elevation view of the one handed dispensing pouch of FIG. 5; FIG. 8 is a right side elevation view of the one handed dispensing pouch of FIG. 5; FIG. 9 is a front perspective view of a one handed dispensing pouch in accordance with a third form of the present invention; FIG. 10 is a top plan view of the one handed dispensing pouch of FIG. 9; FIG. 11 is a front elevation view of the one handed dispensing pouch of FIG. 9; FIG. 12 is a right side elevation view of the one handed dispensing pouch of FIG. 9; FIG. 13 is a front perspective view of a one handed dispensing pouch in accordance with a fourth form of the present invention; FIG. 14 is a top plan view of the one handed dispensing pouch of FIG. 13; FIG. 15 is a front elevation view of the one handed dispensing pouch of FIG. 13; and, FIG. 16 is a right side elevation view of the one handed dispensing pouch of FIG. 13. In the drawings, the broken lines show portions of a one handed dispensing pouch that form no part of the claimed design claim.

1 Claim, 16 Drawing Sheets



(58) **Field of Classification Search**

USPC D9/448, 503, 527, 528, 531, 702, 703,
D9/707, 720, 742

CPC B05B 7/30; B05B 11/3059; B05B 11/3001

See application file for complete search history.

(56) **References Cited**

U.S. PATENT DOCUMENTS

D272,135	S	*	1/1984	Hayes	D9/434
D291,763	S	*	9/1987	Dunn	D7/687
D334,888	S	*	4/1993	Merritt	D30/124
D374,620	S	*	10/1996	McQuade	D9/434
D379,432	S	*	5/1997	Santini	D9/434
D380,670	S	*	7/1997	Blocker	D9/434
D386,409	S	*	11/1997	Santini	D9/434
D412,665	S	*	8/1999	Smith	D9/434
D421,221	S	*	2/2000	O’Kane	D3/328
D479,985	S	*	9/2003	Lowance	D9/742
D512,648	S	*	12/2005	Smith	D9/702
D657,259	S	*	4/2012	Garneau	D9/702
D676,319	S	*	2/2013	Wadt	D9/448
D736,097	S	*	8/2015	Bailey	D9/702
D742,227	S	*	11/2015	Wisniewski	D9/443
D744,831	S	*	12/2015	Geeting	D9/448
D819,896	S	*	6/2018	Bartz	D30/127
D825,331	S	*	8/2018	Thwaites	D9/443

* cited by examiner

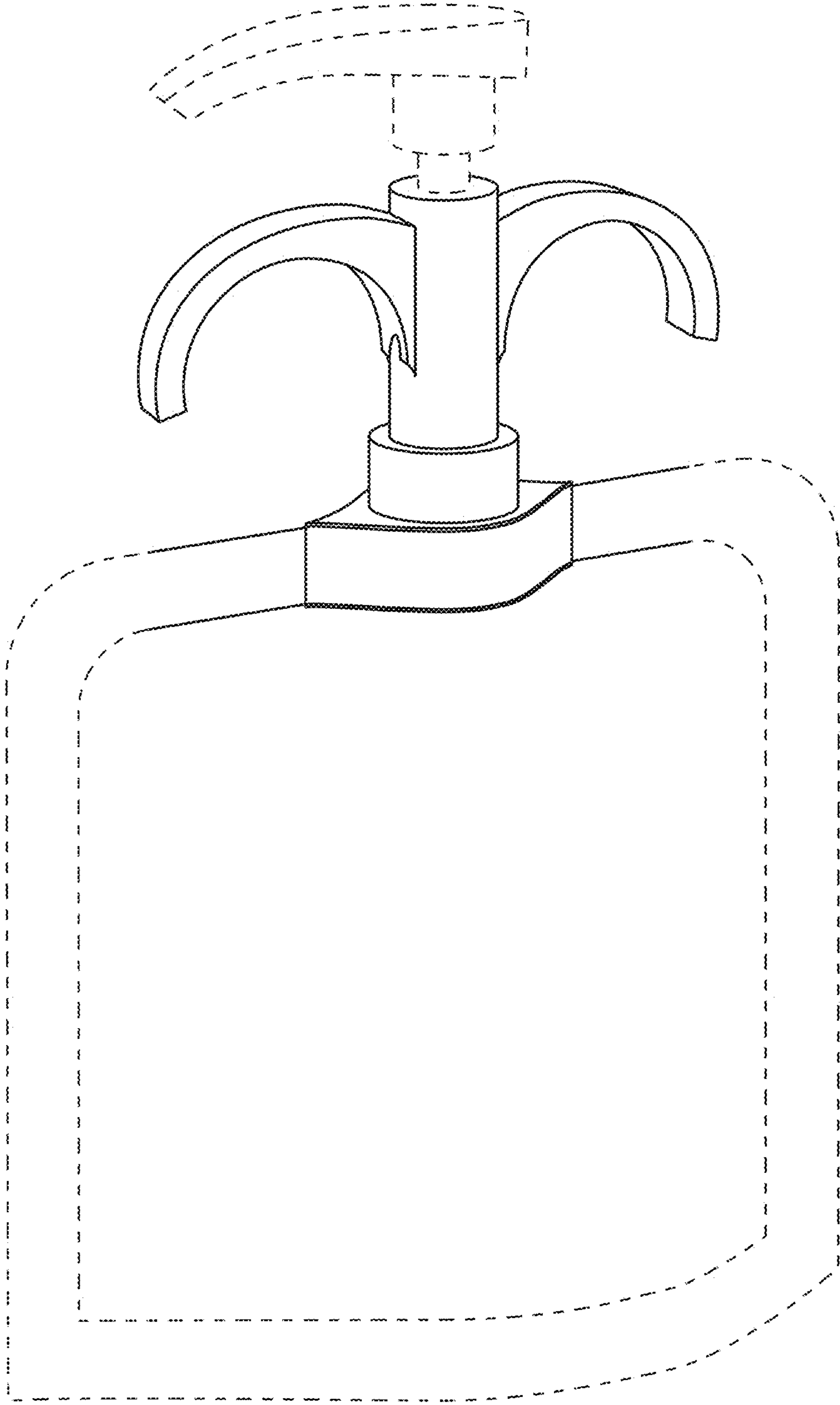


FIG. 1

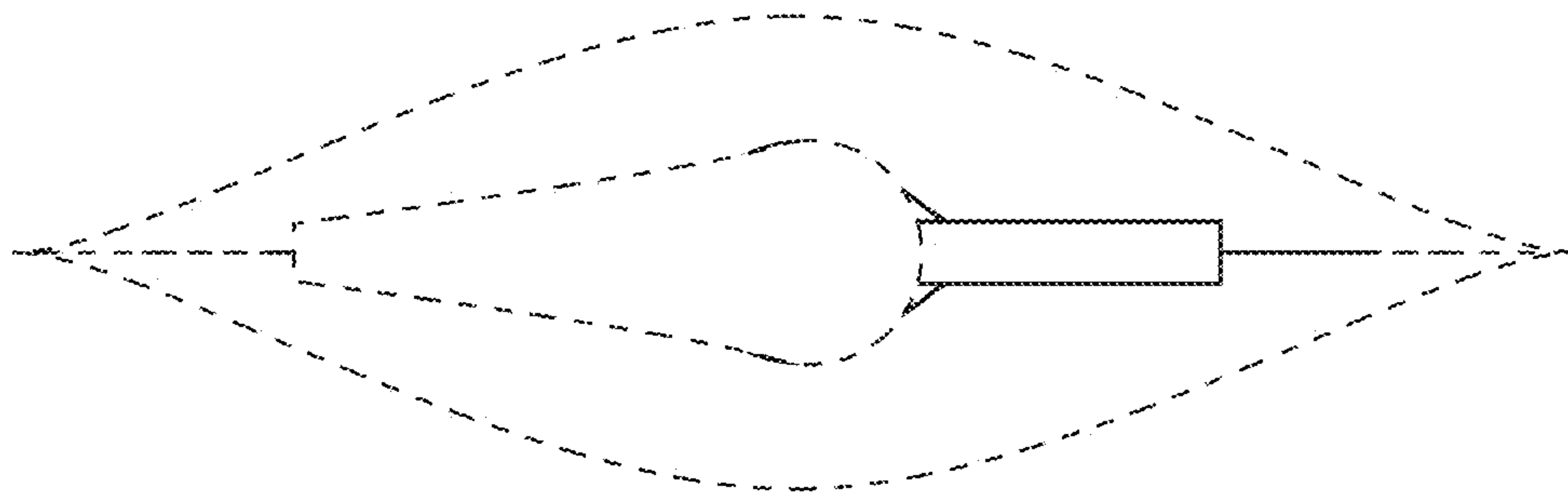


FIG. 2

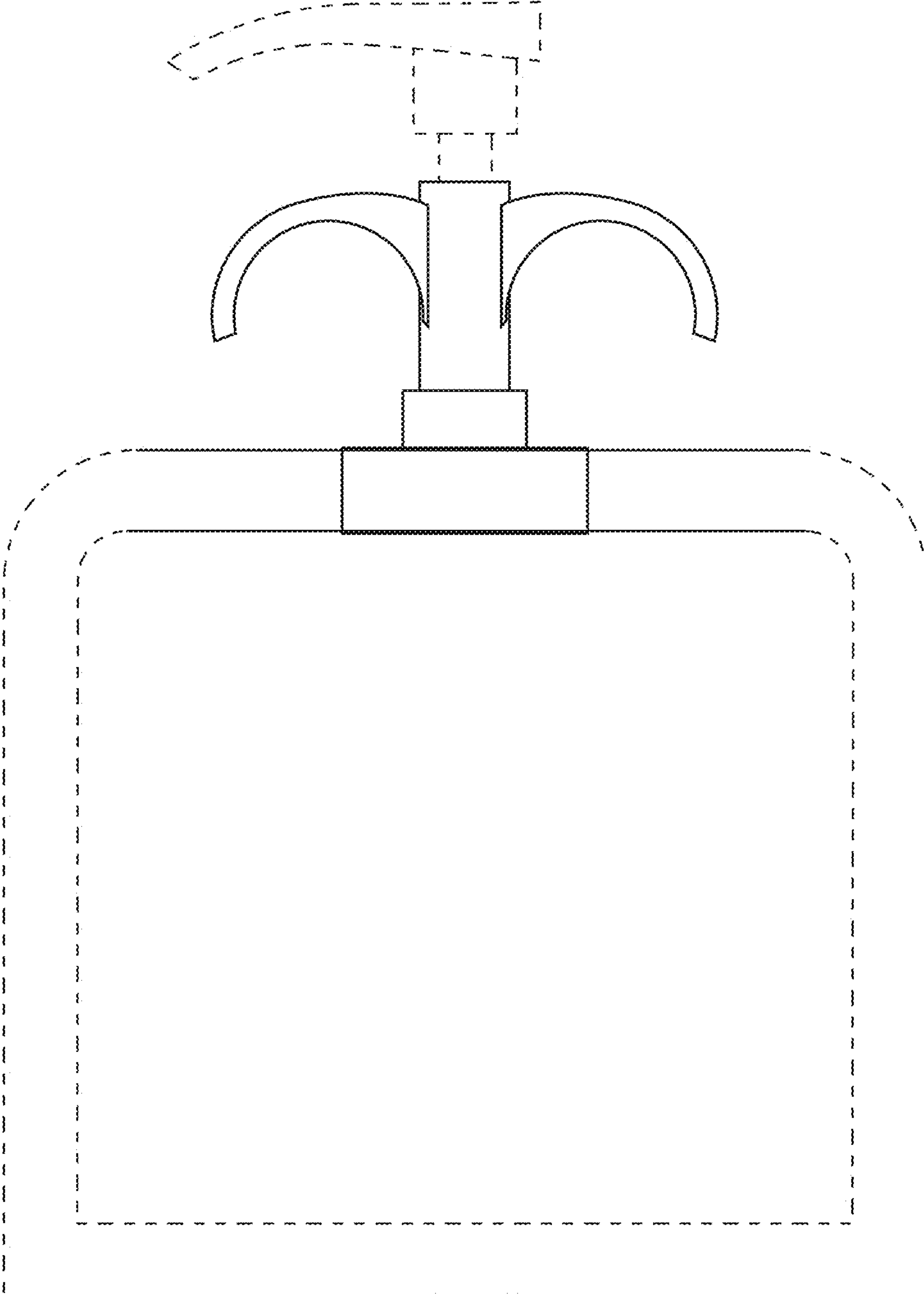


FIG. 3

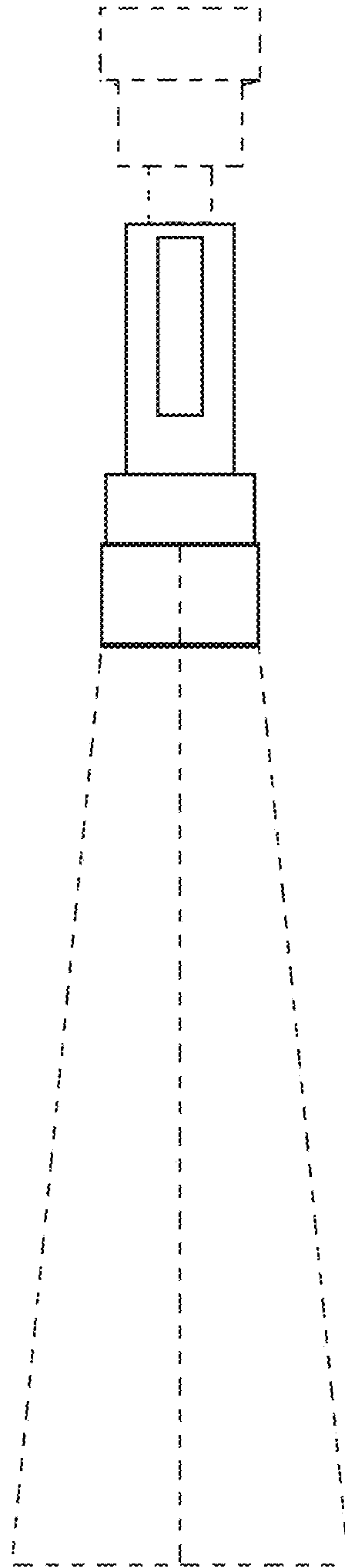


FIG. 4

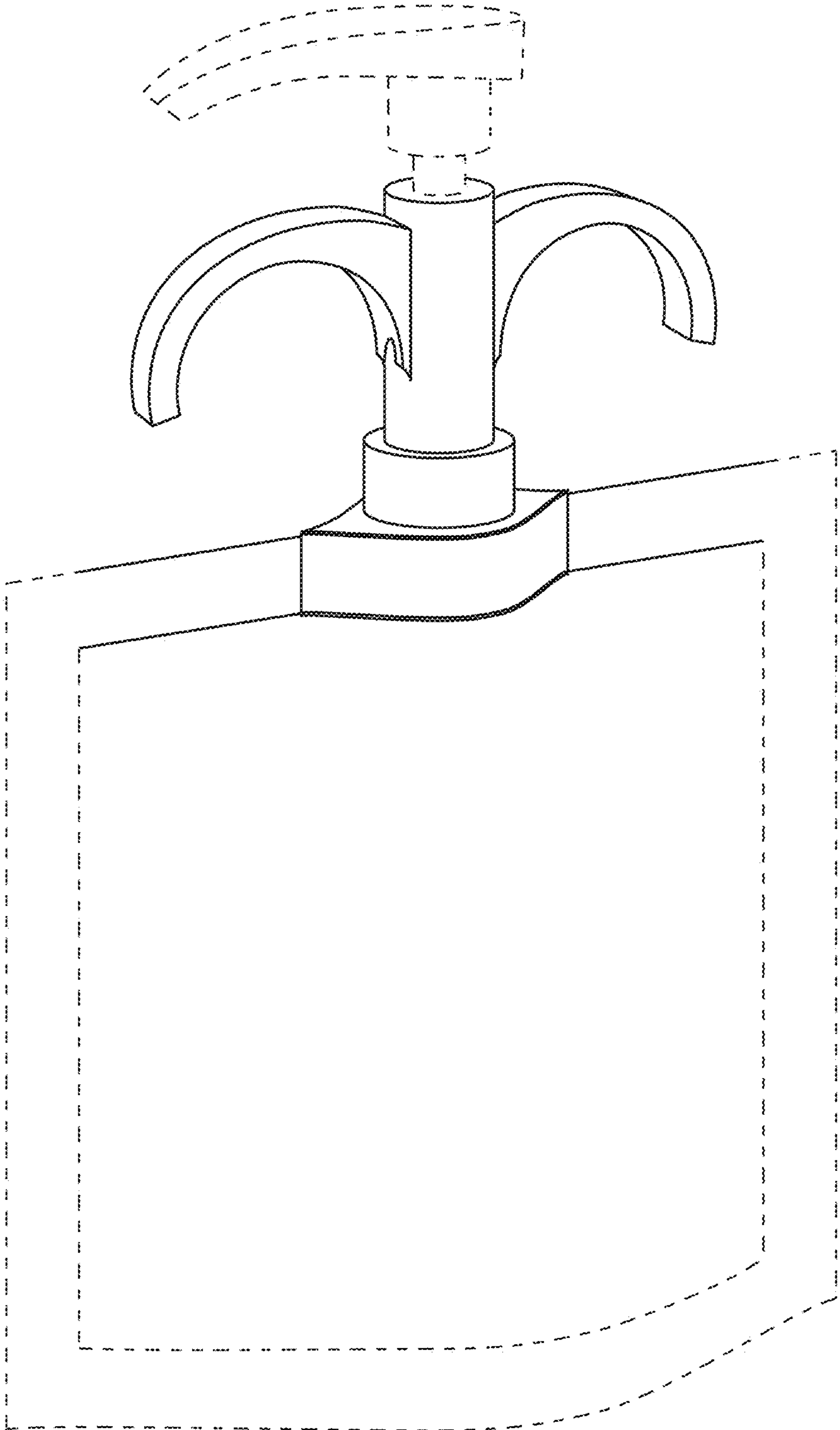


FIG. 5

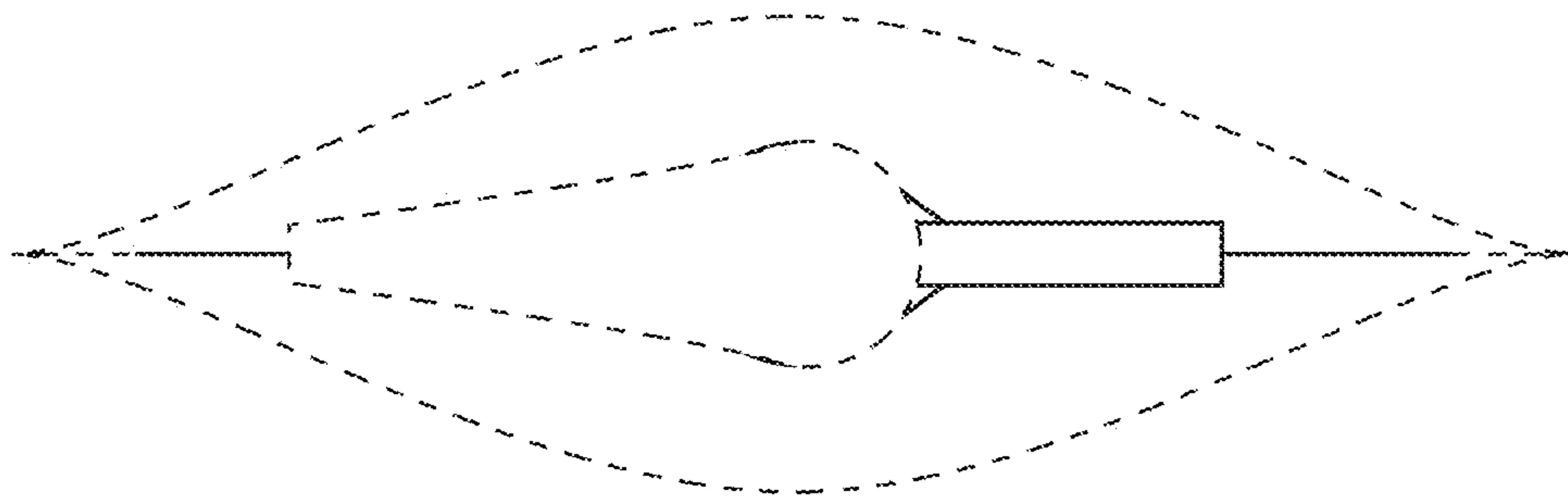


FIG. 6

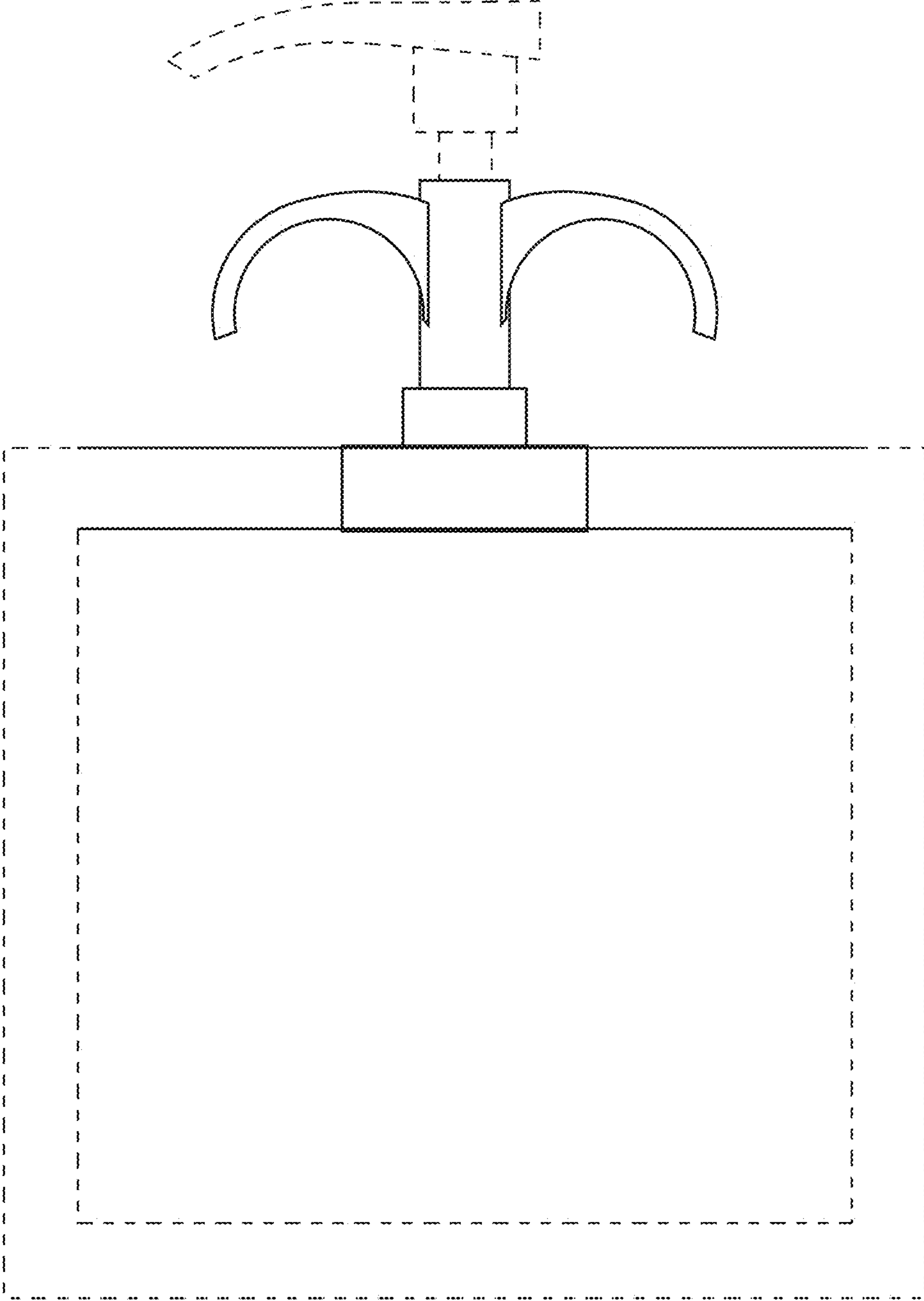


FIG. 7

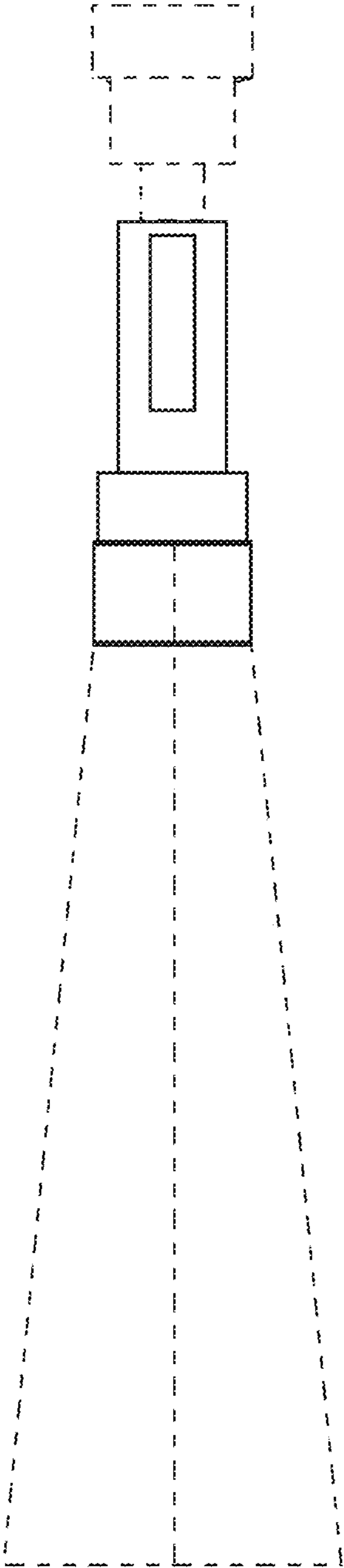


FIG. 8

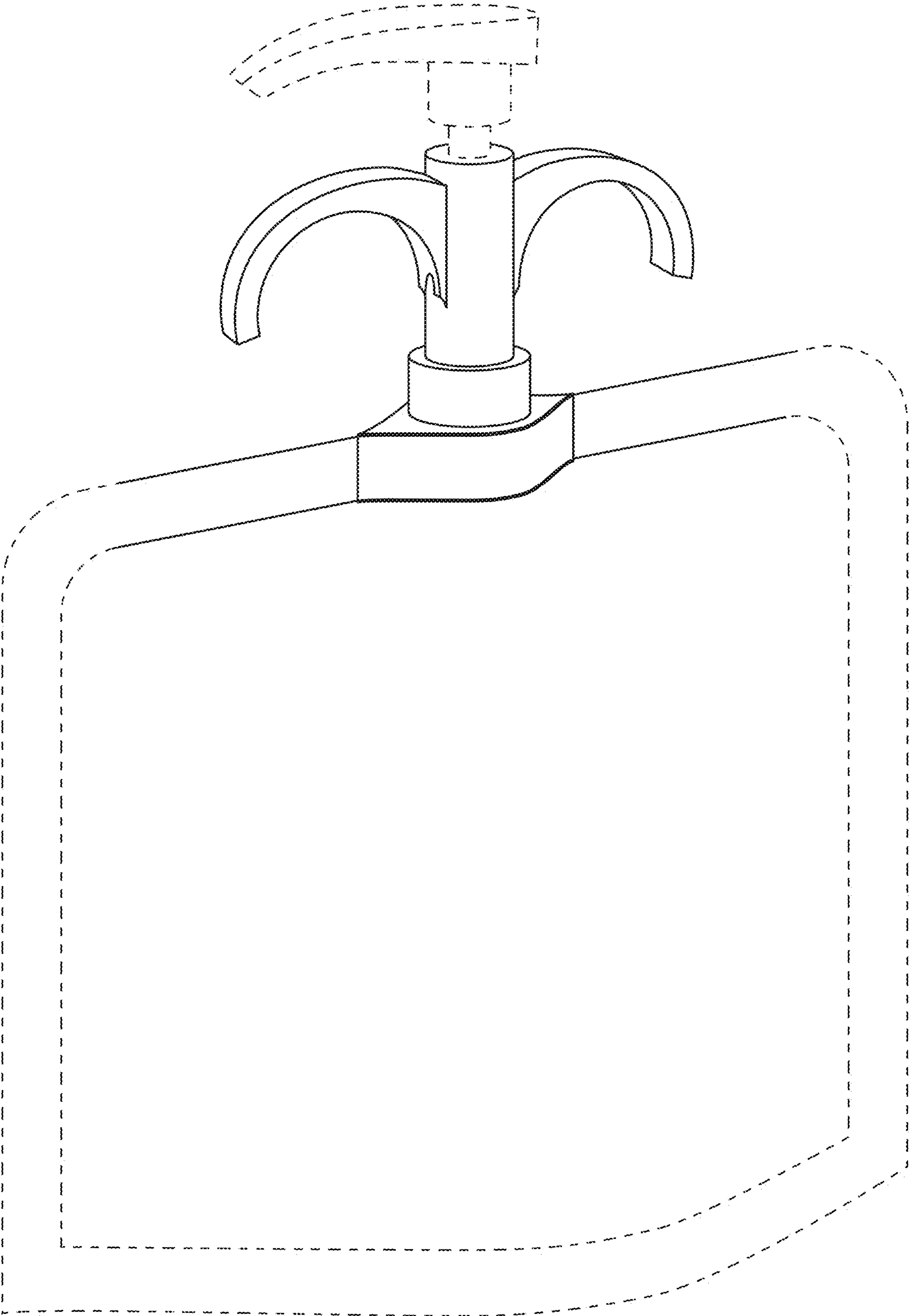


FIG. 9

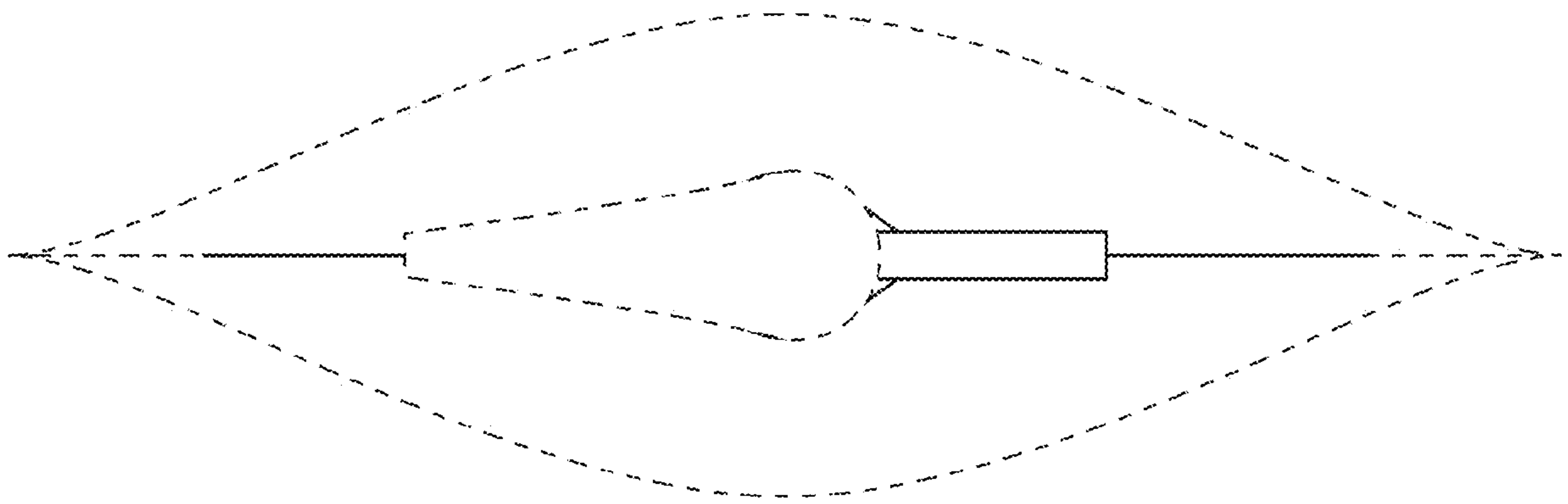


FIG. 10

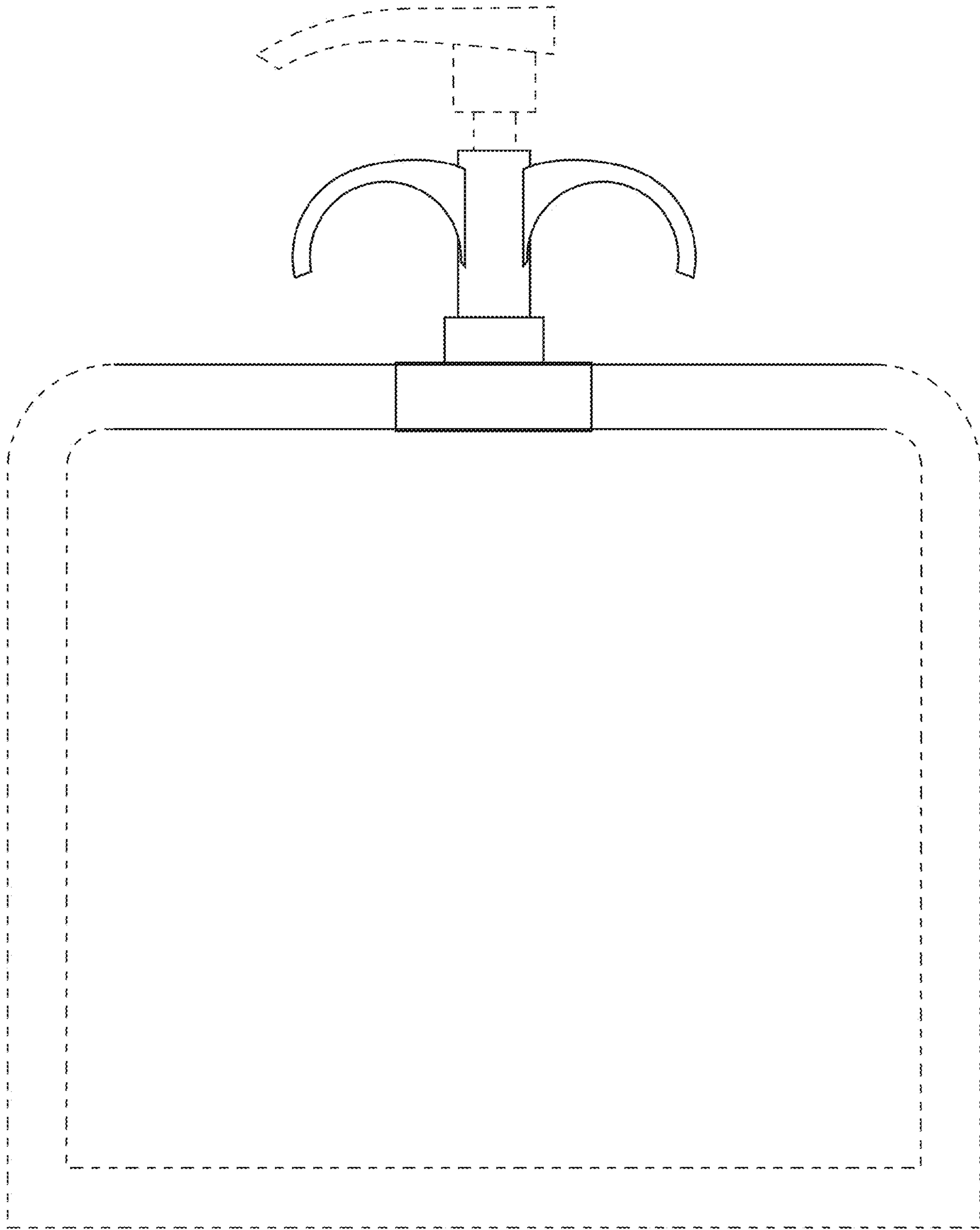


FIG. 11

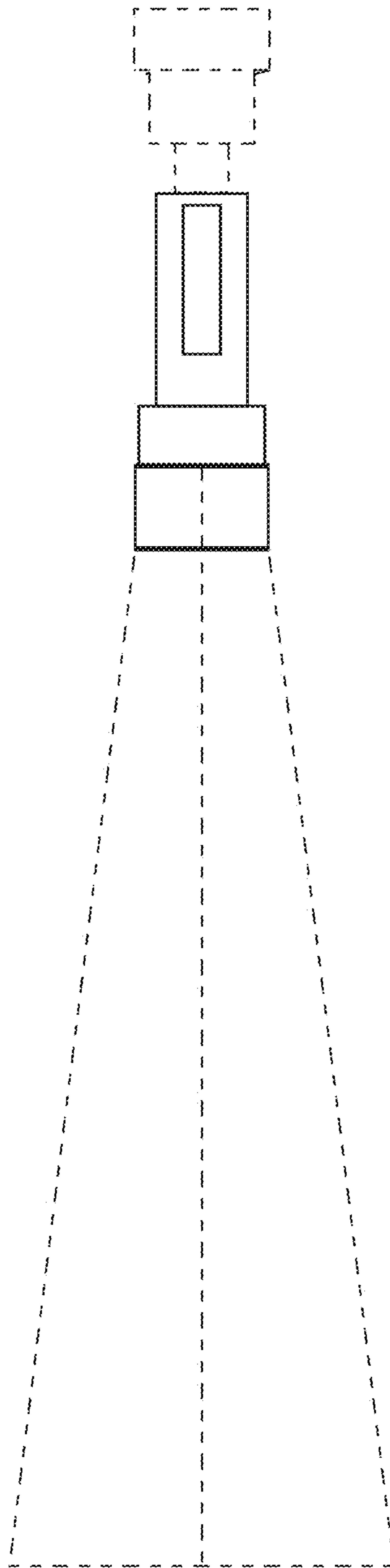


FIG. 12

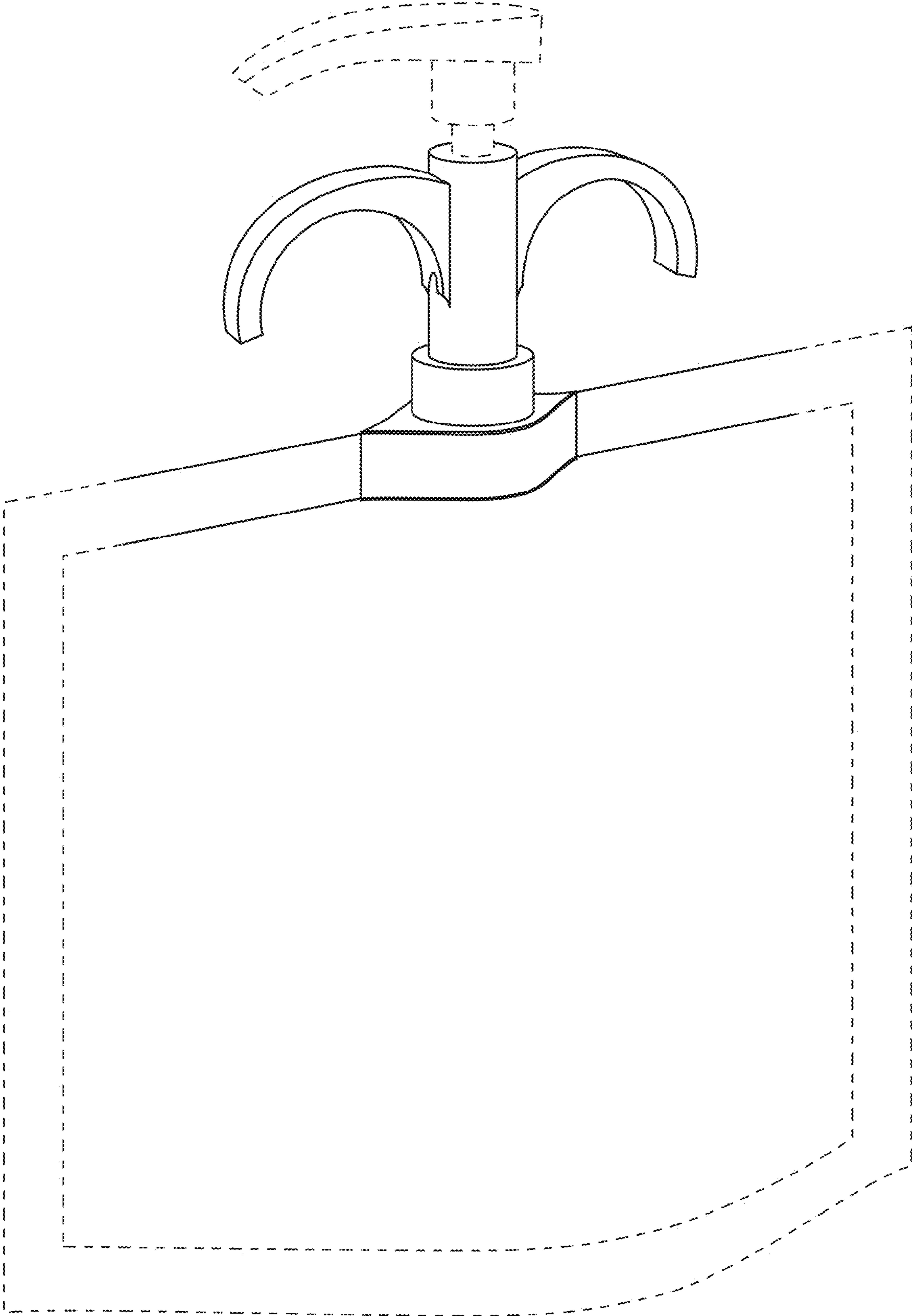


FIG. 13

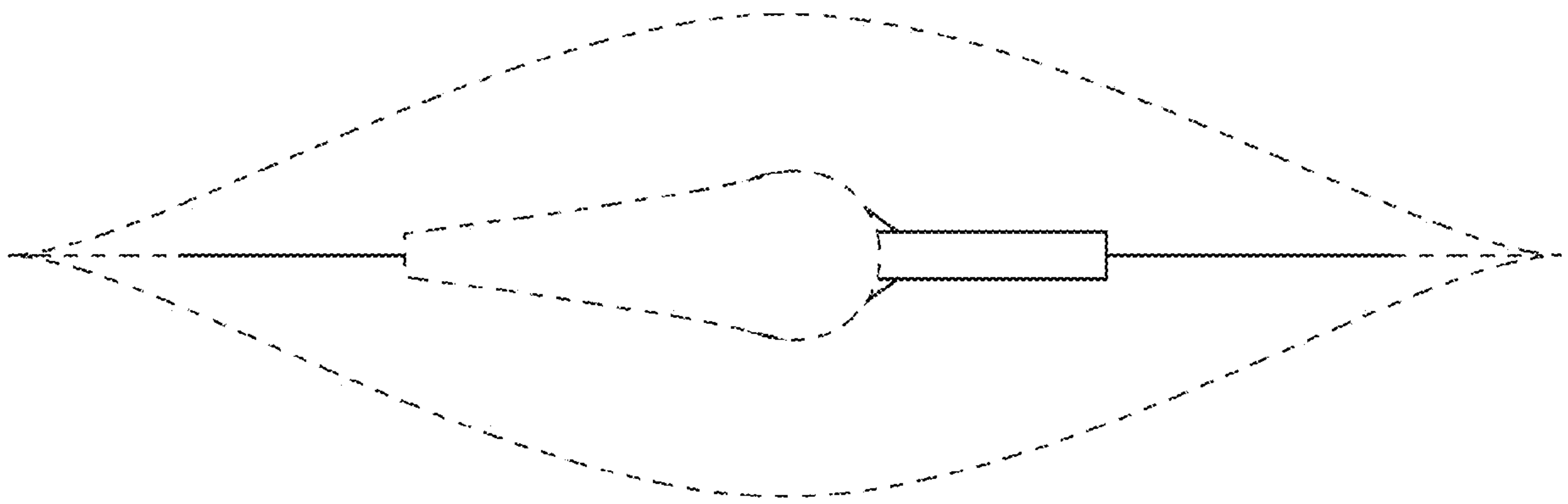


FIG. 14

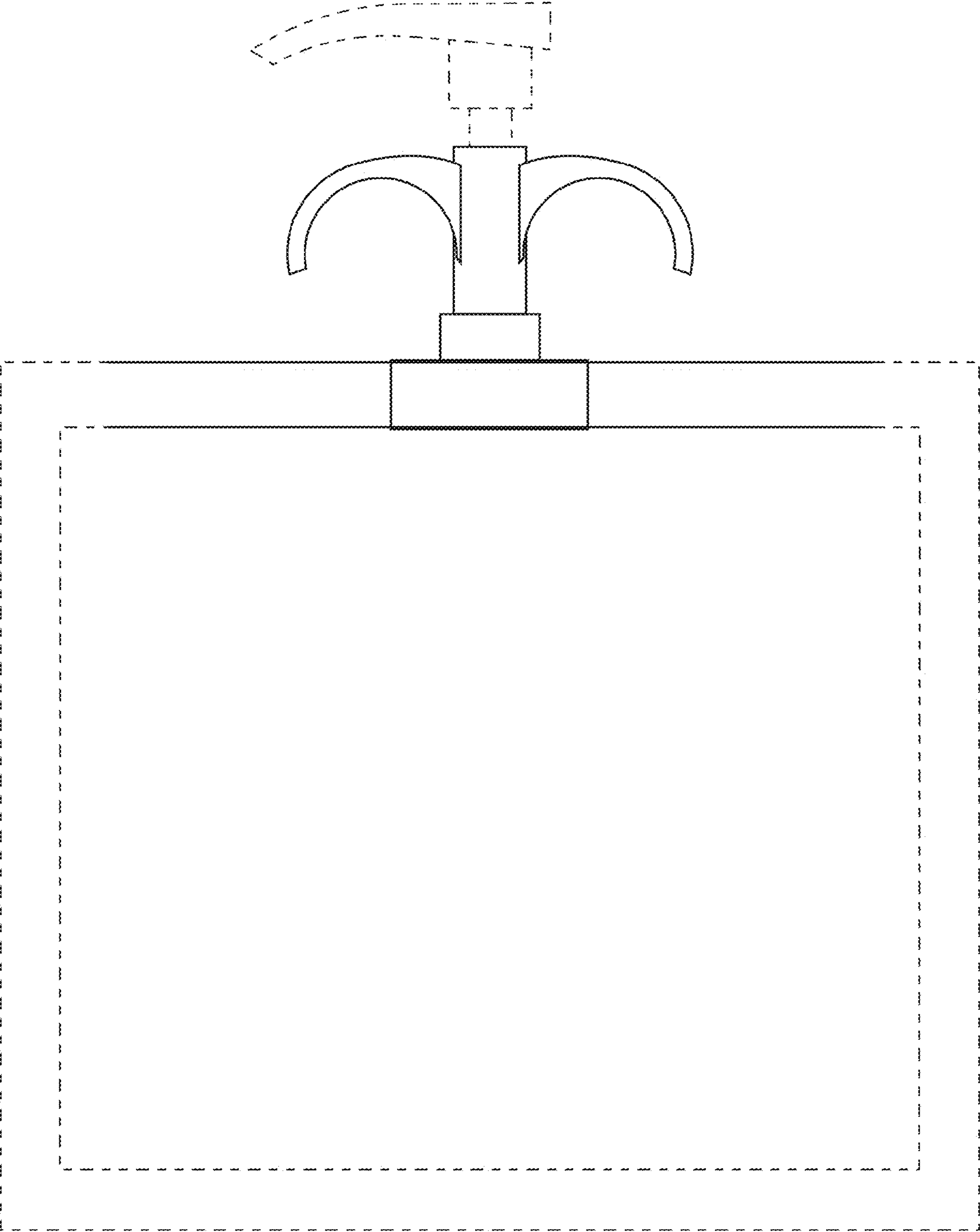


FIG. 15

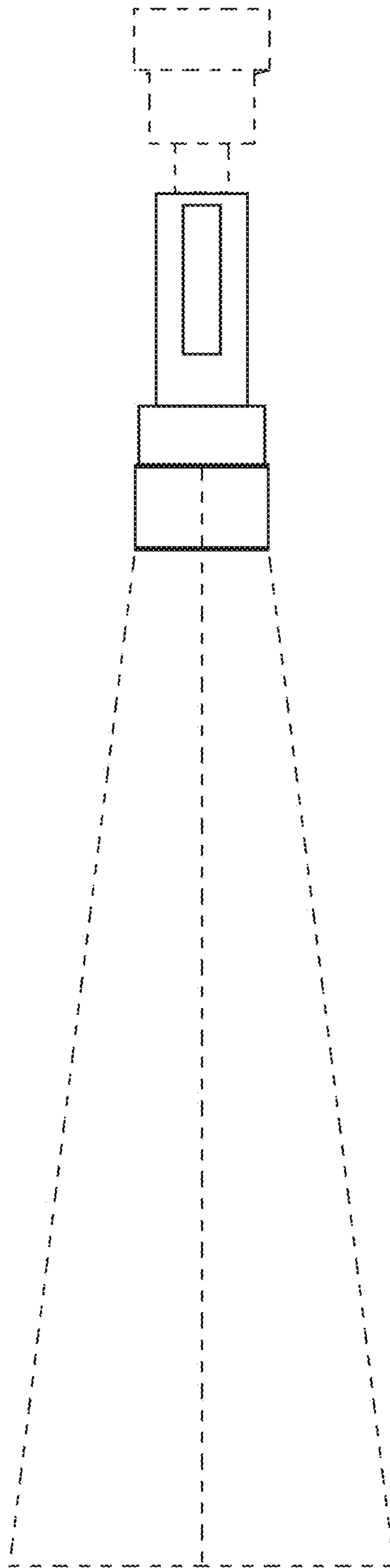


FIG. 16