



US00D907482S

(12) **United States Design Patent** (10) **Patent No.:** **US D907,482 S**
Ng (45) **Date of Patent:** **** Jan. 12, 2021**

(54) **FOOD CONTAINER**
(71) Applicant: **Tsing Kou Ng**, Castro Valley, CA (US)
(72) Inventor: **Tsing Kou Ng**, Castro Valley, CA (US)
(**) Term: **15 Years**
(21) Appl. No.: **29/687,272**
(22) Filed: **Apr. 11, 2019**
(51) **LOC (13) Cl.** **09-03**
(52) **U.S. Cl.**
USPC **D9/426**
(58) **Field of Classification Search**
USPC D7/400, 601, 608; D9/416, 417, 420,
D9/425-429, 430, 432, 761; 206/499,
206/501, 502, 821; 220/625, 656, 669,
220/670, 674; 229/123.1, 123.2, 125.33,
229/125.35, 400-407, 915, 939
CPC . B65D 1/26; B65D 1/40; B65D 5/243; B65D
81/3453; B65D 2581/34; B65D
2581/3404; B65D 2581/3456
See application file for complete search history.

D668,950 S 10/2012 Sanfilippo
D675,517 S 2/2013 Garza
D680,860 S 4/2013 Schulter et al.
D681,447 S 5/2013 Schulter et al.
D683,623 S * 6/2013 Chen D9/426
D686,064 S 7/2013 Garza
D694,619 S 12/2013 Pham et al.
D697,795 S * 1/2014 Garza D9/425
9,120,595 B2 9/2015 Chou
9,132,942 B2 9/2015 Nikaein
9,187,209 B1 11/2015 Hanna et al.
D749,412 S * 2/2016 Hu D9/426
D752,430 S 3/2016 Stevenson et al.
D756,770 S 5/2016 Snedden et al.
D764,276 S 8/2016 Das et al.
D778,115 S 2/2017 Strachan
D778,155 S 2/2017 Strachan
D778,722 S 2/2017 Strachan
D792,160 S 7/2017 Ng
D792,161 S 7/2017 Ng
D793,811 S 8/2017 Ng
D805,857 S * 12/2017 Mei D7/629

(Continued)

Primary Examiner — Janice Patyk
(74) Attorney, Agent, or Firm — Fulwider Patton LLP

(57) **CLAIM**

The ornamental design for a food container, as shown and described.

(56) **References Cited**

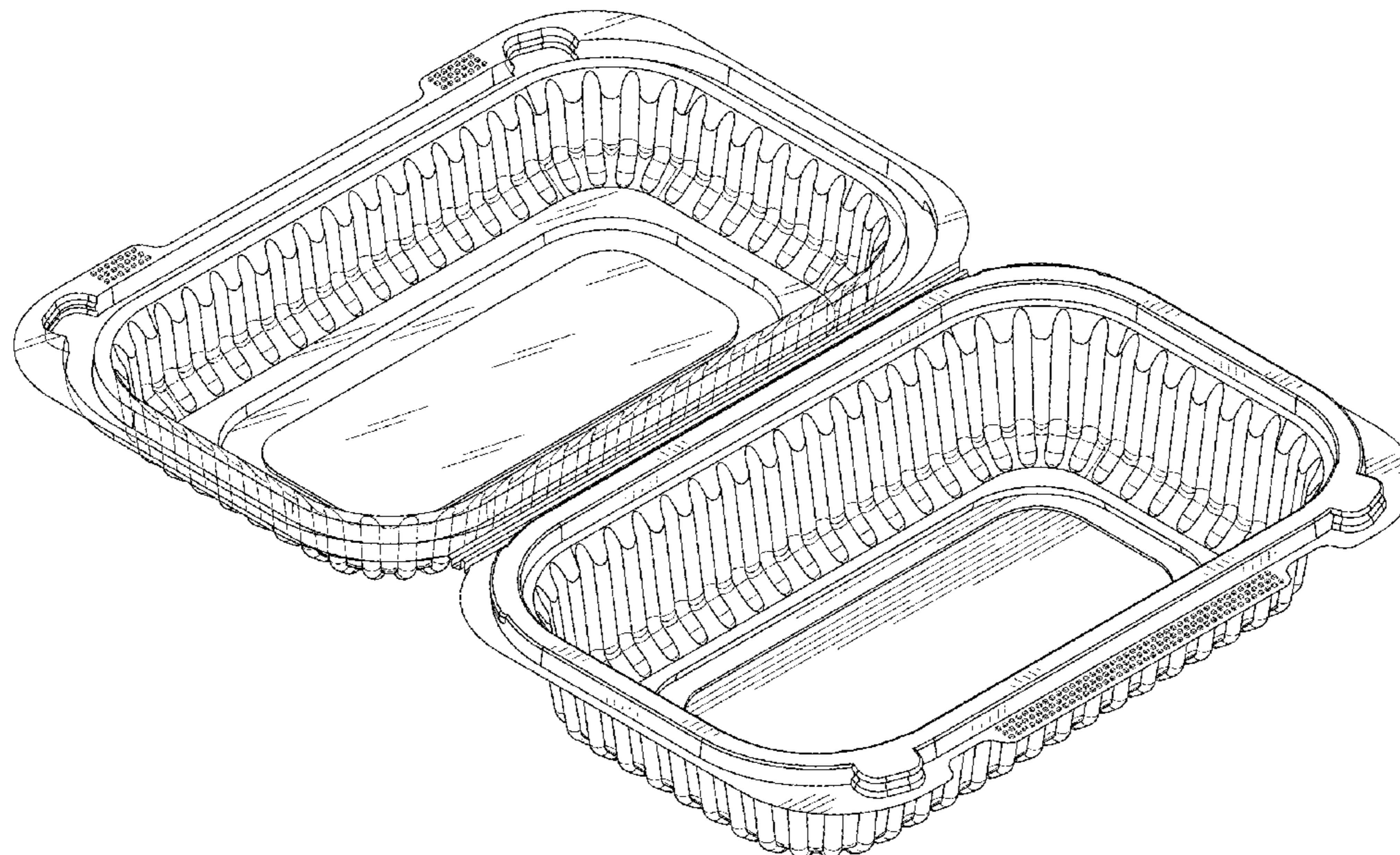
U.S. PATENT DOCUMENTS

D236,691 S 9/1975 Haase
D236,692 S 9/1975 Haase
D361,035 S * 8/1995 Krupa D9/423
5,515,993 A 5/1996 McManus
5,897,011 A * 4/1999 Brilliant B65D 43/162
220/4.23
D536,992 S 2/2007 Garg et al.
D586,623 S 2/2009 Dunn
D601,014 S 9/2009 Petitjean
D615,822 S 5/2010 Klein
D640,548 S 6/2011 Lawrence et al.
D668,536 S * 10/2012 Sanfilippo D9/425
D668,537 S 10/2012 Sanfilippo

DESCRIPTION

FIG. 1 is a top perspective view of a food container, showing my new design;
FIG. 2 is a bottom perspective view thereof;
FIG. 3 is a top view thereof;
FIG. 4 is a right side view thereof;
FIG. 5 is a left side view thereof;
FIG. 6 is a bottom view thereof;
FIG. 7 is a rear view thereof; and,
FIG. 8 is a front view thereof.

1 Claim, 6 Drawing Sheets



(56)

References Cited

U.S. PATENT DOCUMENTS

2005/0247709	A1 *	11/2005	Atkins	B65D 1/36 220/4.23
2006/0081641	A1	4/2006	Habeger et al.	
2007/0045317	A1	3/2007	Rosender et al.	
2010/0072217	A1	3/2010	Parikh et al.	
2011/0000929	A1	1/2011	Brown et al.	
2011/0139785	A1	6/2011	Strange et al.	
2012/0031921	A1	2/2012	Cadiente	

* cited by examiner

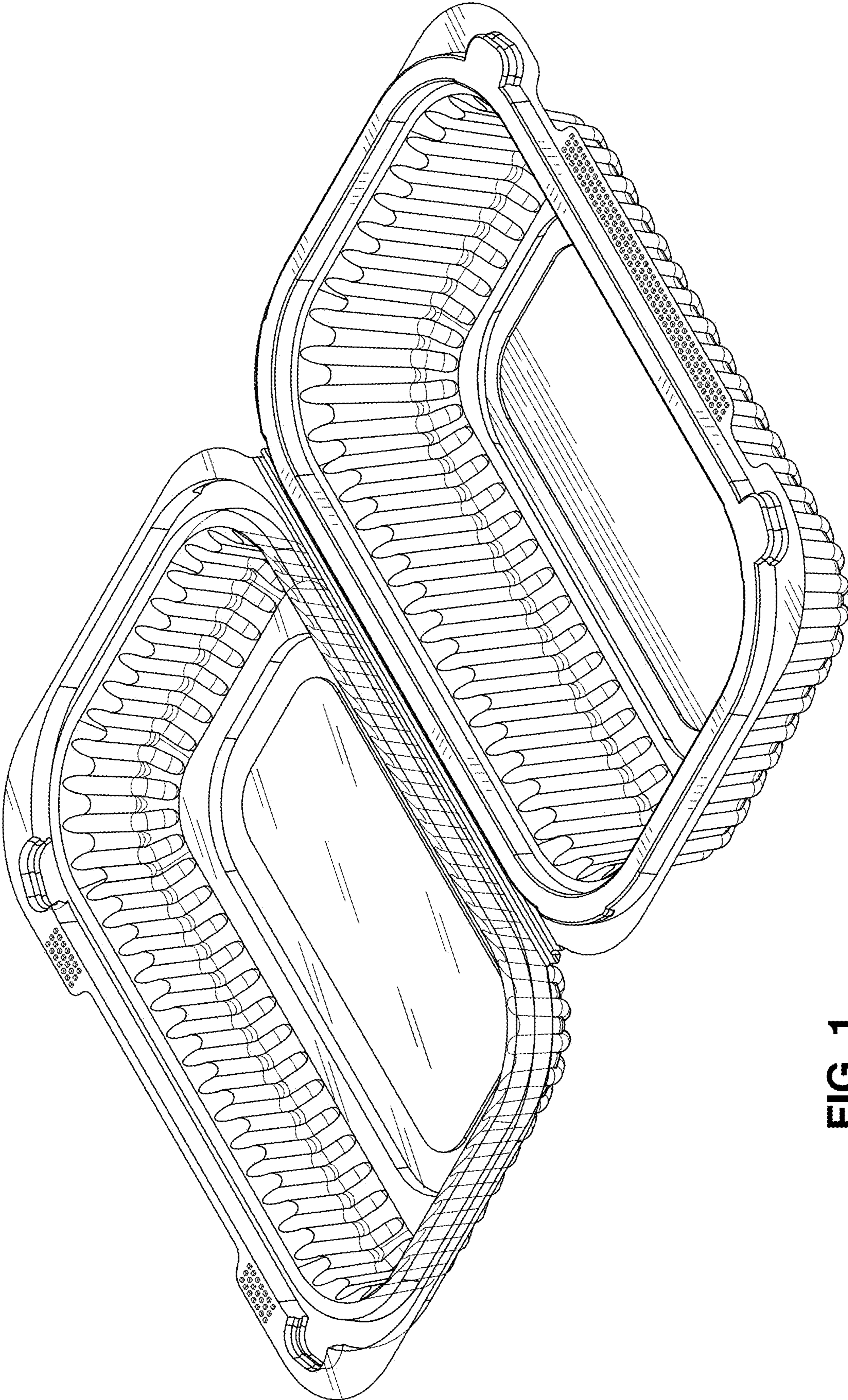


FIG. 1

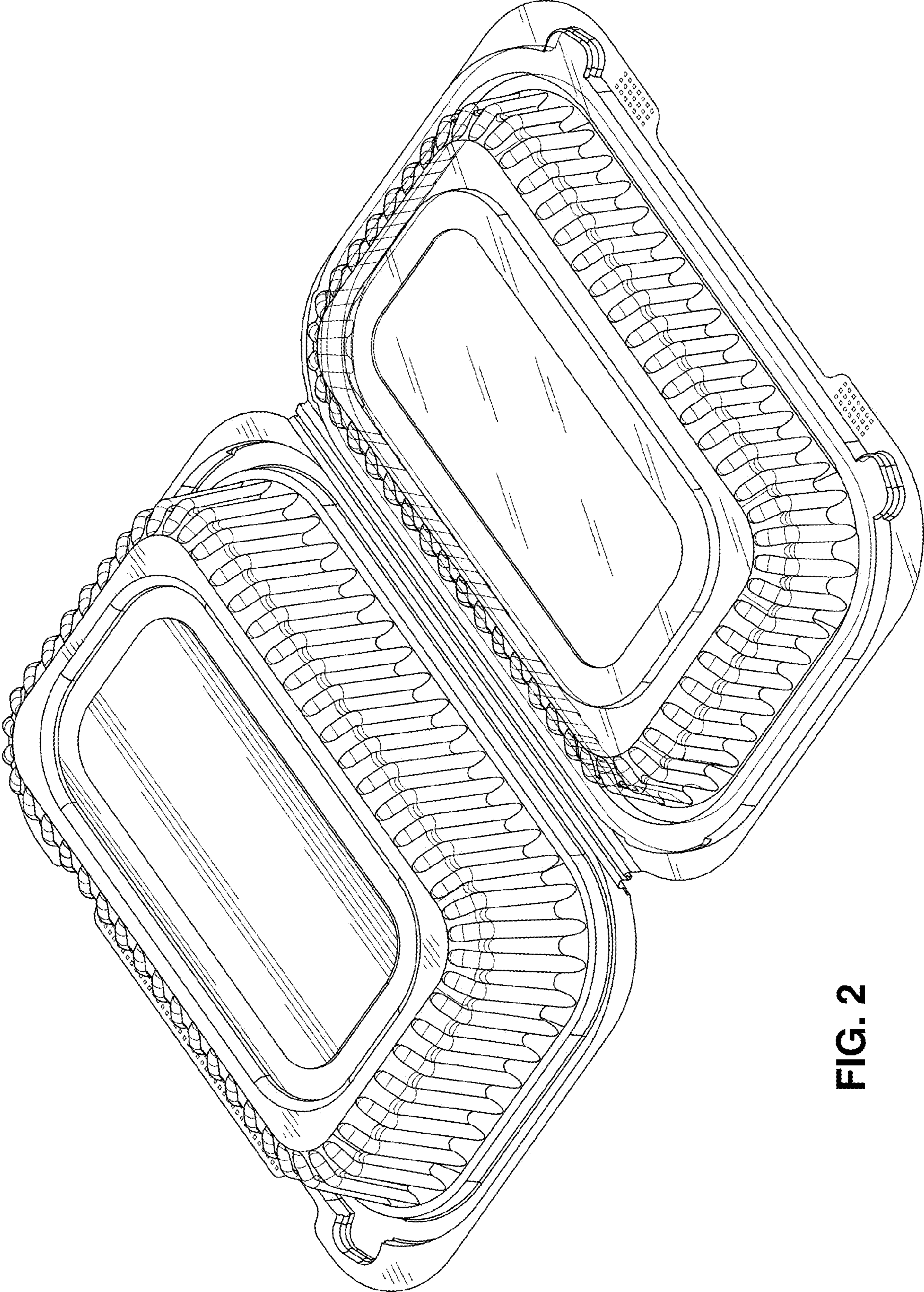


FIG. 2

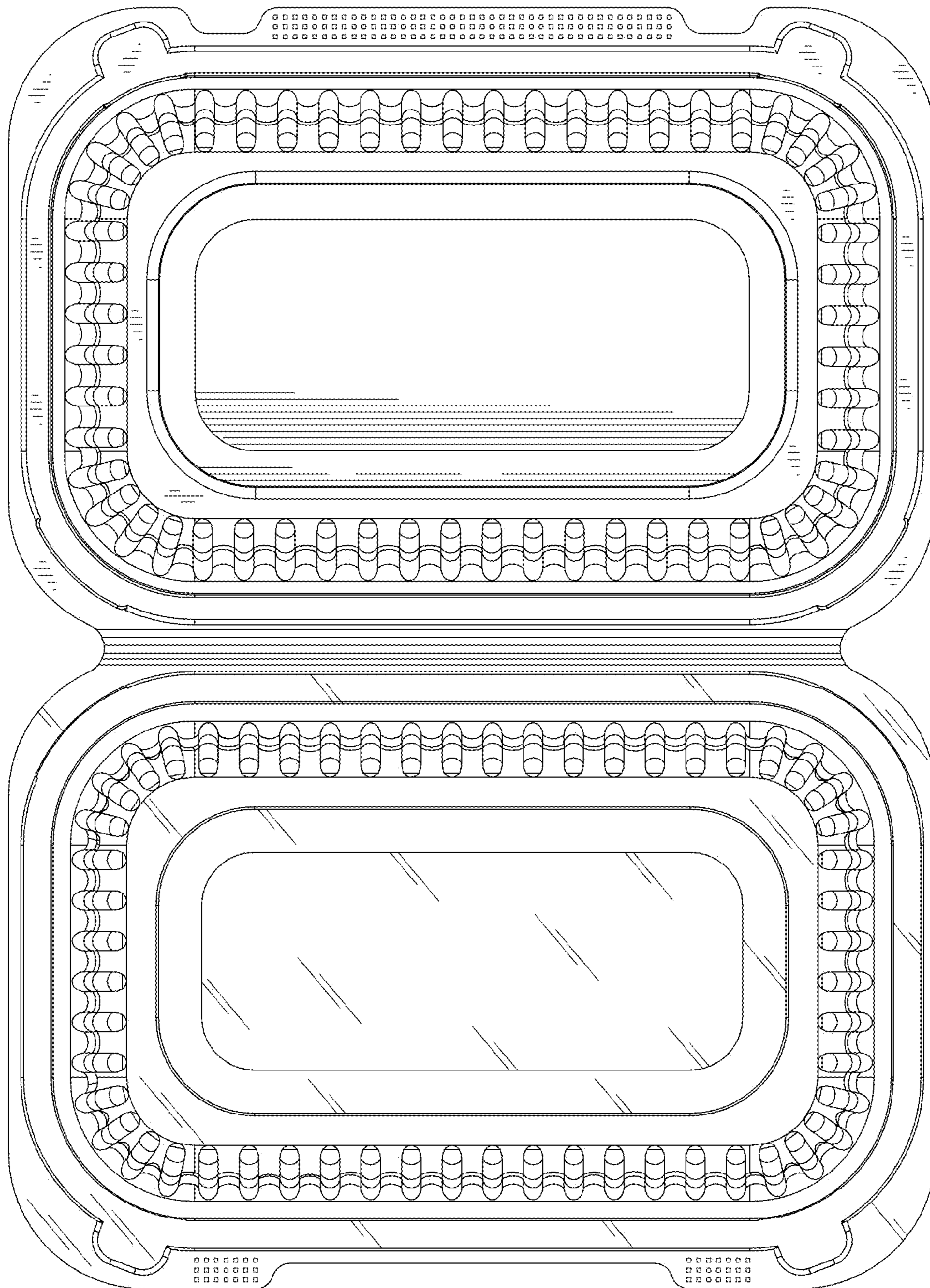


FIG. 3

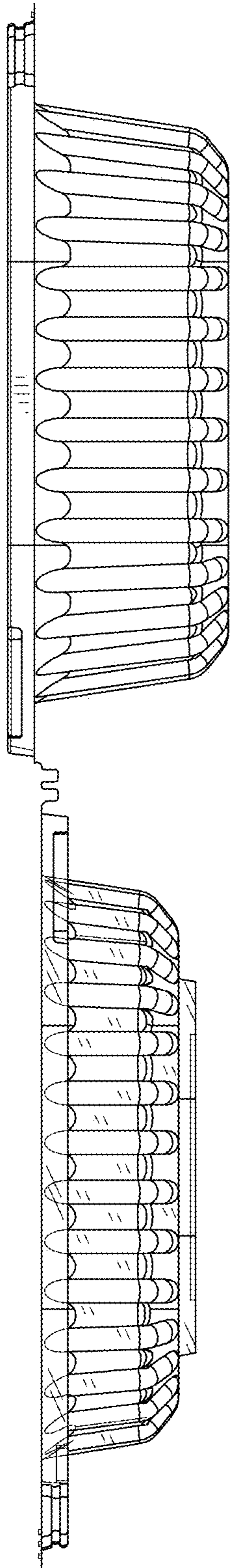


FIG. 4

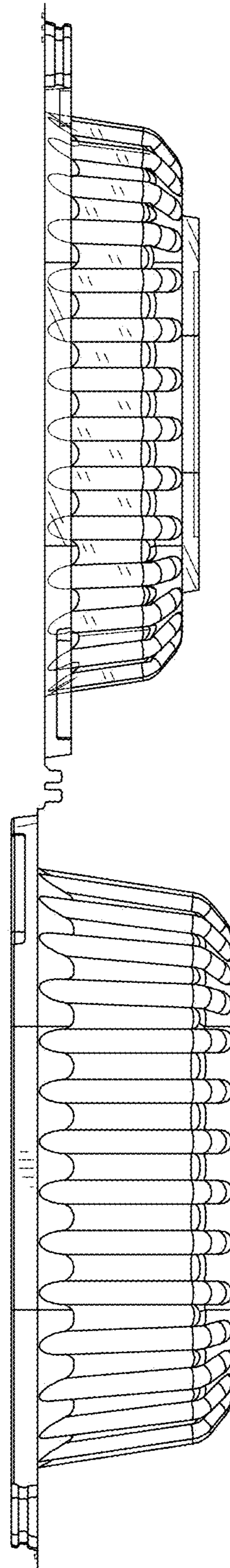


FIG. 5

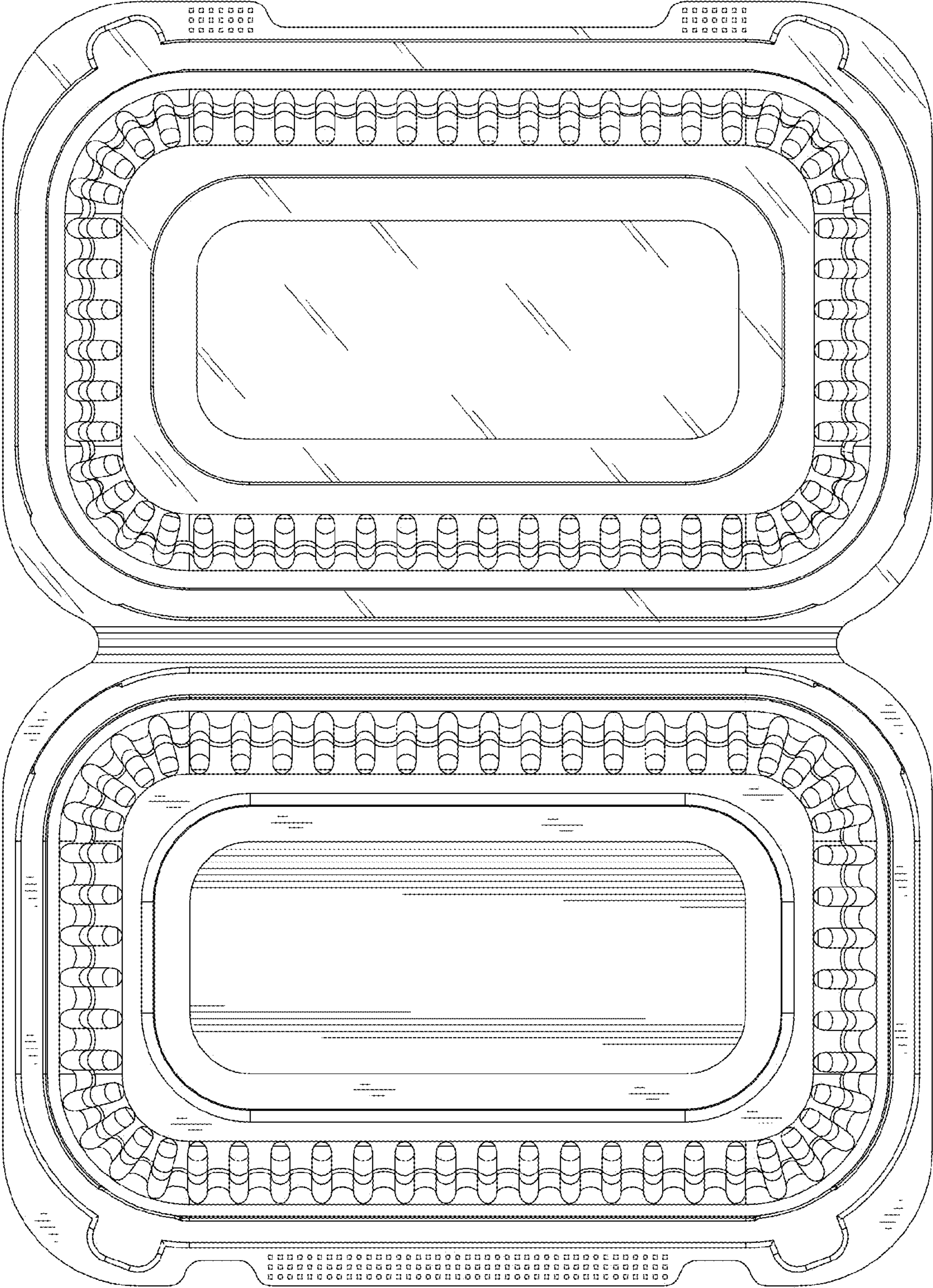


FIG. 6

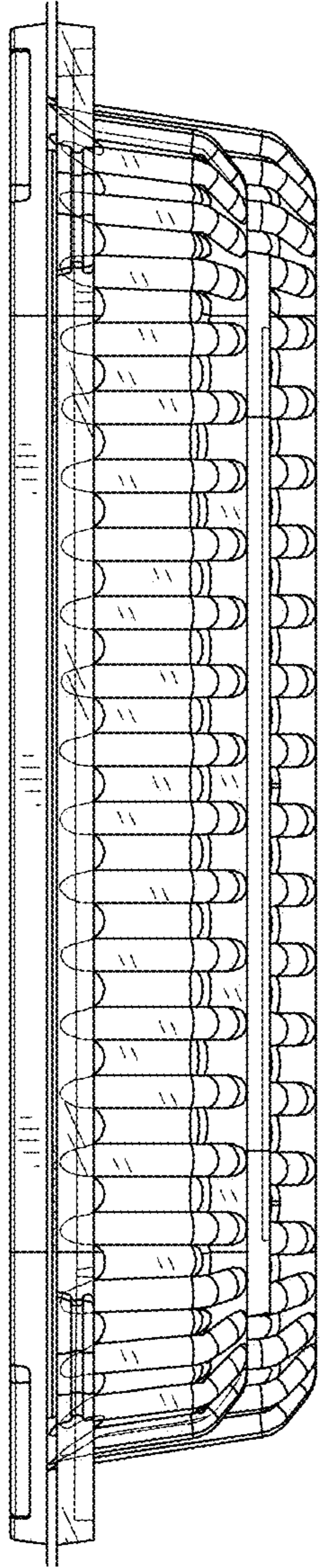


FIG. 7

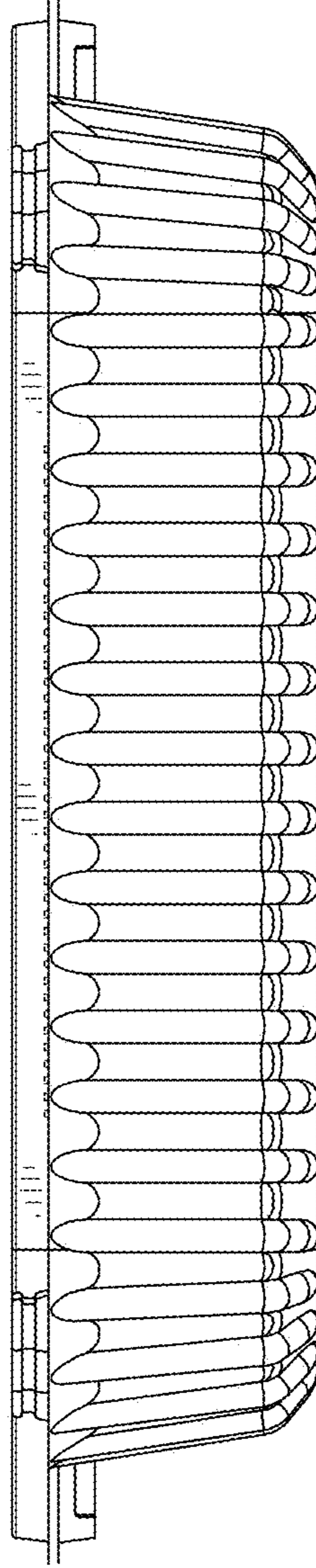


FIG. 8