



US00D907475S

(12) **United States Design Patent** (10) **Patent No.:** **US D907,475 S**
Williams (45) **Date of Patent:** **** Jan. 12, 2021**

(54) **BOLT HEAD PROTECTOR**
(71) Applicant: **Robert Williams**, Lindsay, OK (US)
(72) Inventor: **Robert Williams**, Lindsay, OK (US)
(**) Term: **15 Years**
(21) Appl. No.: **29/681,879**

D244,908 S * 7/1977 Hatter et al. D8/397
D244,909 S * 7/1977 Gill D8/397
D273,561 S * 4/1984 Ozaki D8/397
D281,953 S * 12/1985 Newman D8/397
D298,737 S 11/1988 Wallace
4,890,967 A 1/1990 Rosenbaum
D311,131 S * 10/1990 Saito D8/397
5,380,070 A 1/1995 FitzGerald
5,904,383 A 5/1999 van der Wal
(Continued)

(22) Filed: **Feb. 28, 2019**
(51) **LOC (13) Cl.** **08-08**
(52) **U.S. Cl.**
USPC **D8/397**
(58) **Field of Classification Search**
USPC 411/295, 393; D8/397, 394, 382, 349
CPC F16B 31/02; F16B 41/002; F16B 23/0061
See application file for complete search history.

(56) **References Cited**
U.S. PATENT DOCUMENTS

D23,917 S * 12/1894 Lane D8/397
1,029,775 A * 6/1912 Tobin F16B 39/10
411/191
D57,407 S * 3/1921 Walker D23/269
2,120,577 A * 6/1938 Schulte F16B 13/0858
411/71
D134,789 S * 1/1943 Gade 411/276
2,552,794 A * 5/1951 Kimbell F16B 37/02
411/427
2,727,551 A * 12/1955 Rees F16B 39/34
411/303
2,819,642 A 1/1958 Refrigeri
D198,713 S * 7/1964 Curtiss D8/397
3,485,134 A 12/1969 Ott
D218,674 S * 9/1970 Ernest D8/387
D220,027 S * 3/1971 Myers D8/397
D223,187 S * 3/1972 Wing D8/397
3,702,628 A * 11/1972 Cosenza F16B 39/36
411/280
D233,652 S * 11/1974 Wing D8/397
4,019,550 A * 4/1977 DeHaitre F16B 33/004
411/303

OTHER PUBLICATIONS

Wheel Bearing Protectors (Chrome). Product Listing [online]. © 2018 Bearing Buddy, Inc., [retrieved on Jun. 25, 2018]. Retrieved from the Internet: <URL:https://www.bearingbuddy.com/shop-protector-chrome>.

(Continued)

Primary Examiner — Cynthia R Underwood
(74) *Attorney, Agent, or Firm* — Cramer Patent & Design, PLLC; Aaron R. Cramer

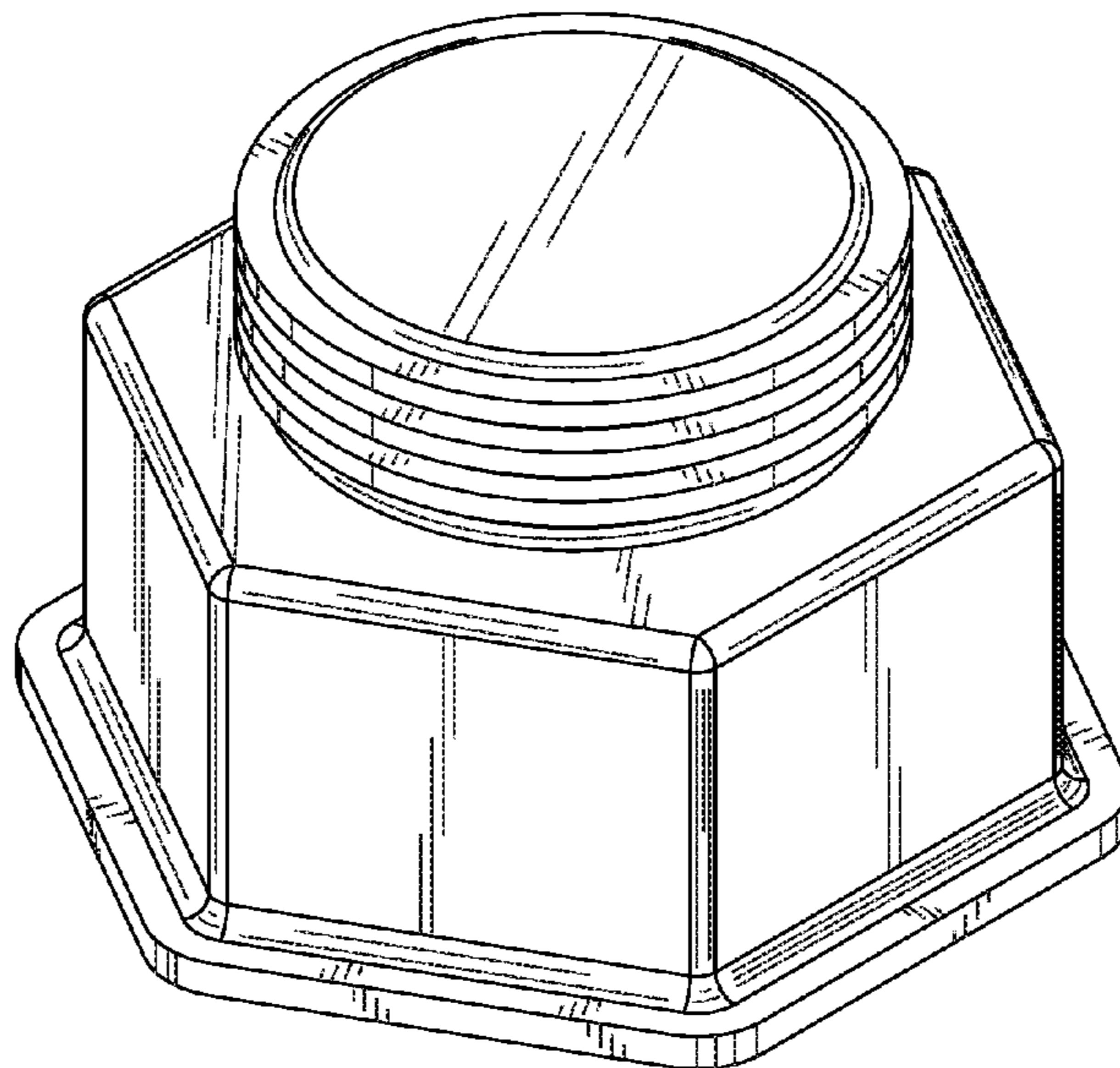
(57) **CLAIM**

The ornamental design for a bolt head protector, as shown and described.

DESCRIPTION

FIG. 1 is a perspective top front right view of a bolt head protector, showing my new design;
FIG. 2 is a front elevation view thereof, wherein the rear elevation view is an identical image thereof;
FIG. 3 is a right elevation view thereof, wherein the left elevation view is an identical image thereof;
FIG. 4 is a top plan view thereof; and,
FIG. 5 is a bottom plan view thereof.
The broken line define the bounds of the claimed design and form no part thereof.

1 Claim, 5 Drawing Sheets



(56)

References Cited

U.S. PATENT DOCUMENTS

6,071,052 A * 6/2000 Kerr F16B 39/34
411/247
6,146,070 A 11/2000 Koma
D446,111 S * 8/2001 Hussaini D8/29
D459,207 S * 6/2002 Miyata D8/397
6,629,810 B1 10/2003 Heintges et al.
D519,076 S * 4/2006 Fox D13/133
7,063,565 B2 * 6/2006 Ward 439/578
D527,810 S 9/2006 Frazer et al.
D532,684 S * 11/2006 Barnes D8/397
D535,259 S * 1/2007 Rodrigues et al. D13/151
D539,129 S * 3/2007 Griffiths D8/382
D551,972 S * 10/2007 Jacobs D9/445
D581,777 S * 12/2008 Huang D8/397
D601,507 S * 10/2009 Rodrigues D13/133
D606,853 S 12/2009 Shapiro
8,007,216 B2 * 8/2011 Ross F16B 37/122
156/73.1
D644,673 S * 9/2011 Drenth D15/138
8,210,783 B2 * 7/2012 Morrison 411/9
8,366,367 B2 2/2013 Matlock et al.
D679,988 S * 4/2013 Yamazaki D8/397
D703,521 S * 4/2014 Haynes D8/397
D747,645 S 1/2016 Pascoe
D795,398 S 8/2017 Decaria et al.
D798,701 S * 10/2017 Hill F16B 35/00
D8/397

D802,407 S * 11/2017 Foerster, Jr. D8/387
D802,410 S * 11/2017 Felix D8/397
9,879,711 B2 1/2018 Liu et al.
D809,376 S * 2/2018 Huang D8/397
D813,026 S 3/2018 Wright
D813,027 S 3/2018 Wright
D825,322 S * 8/2018 Sears D8/397
D840,797 S * 2/2019 Bentley D8/397
D860,774 S * 9/2019 Epstein D8/397
D871,201 S * 12/2019 Shinjo D8/397
2003/0039527 A1 * 2/2003 Schatz 411/9
2003/0219325 A1 * 11/2003 Schultz F16B 37/125
411/178
2004/0136807 A1 * 7/2004 Foerster, Jr. F16B 37/127
411/178
2005/0136735 A1 * 6/2005 Rodrigues H01R 9/0524
439/578
2006/0013671 A1 * 1/2006 Lauderbaugh F16B 37/127
411/178
2017/0122359 A1 * 5/2017 Foerster, Jr. F16B 25/0084

OTHER PUBLICATIONS

Bra Models. Product Listing [online]. © 2018 Bearing Buddy, Inc.,
[retrieved on Jun. 25, 2018]. Retrieved from the Internet: <URL:https://
www.bearingbuddy.com/shop-bra>.

* cited by examiner

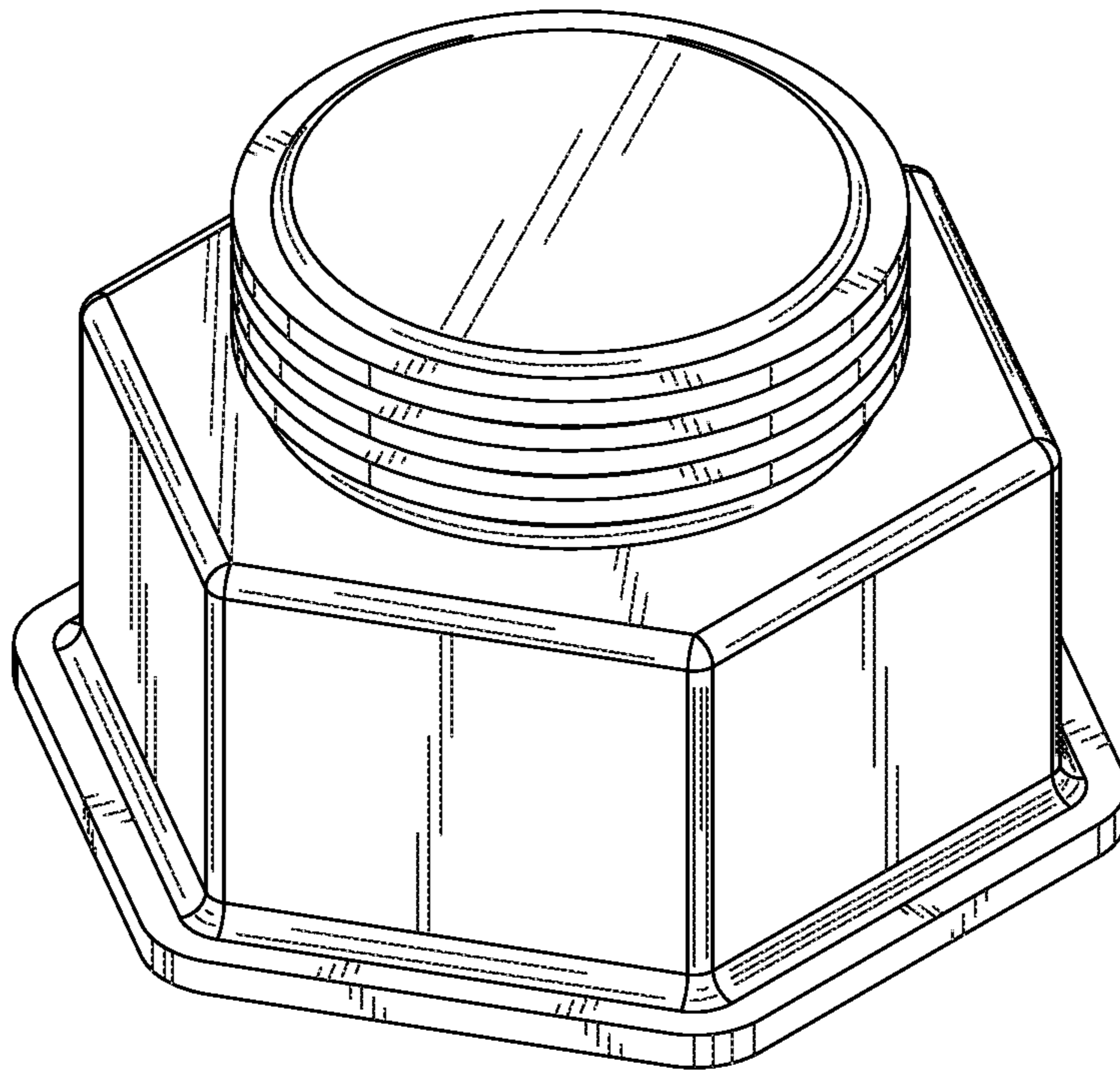


FIG. 1

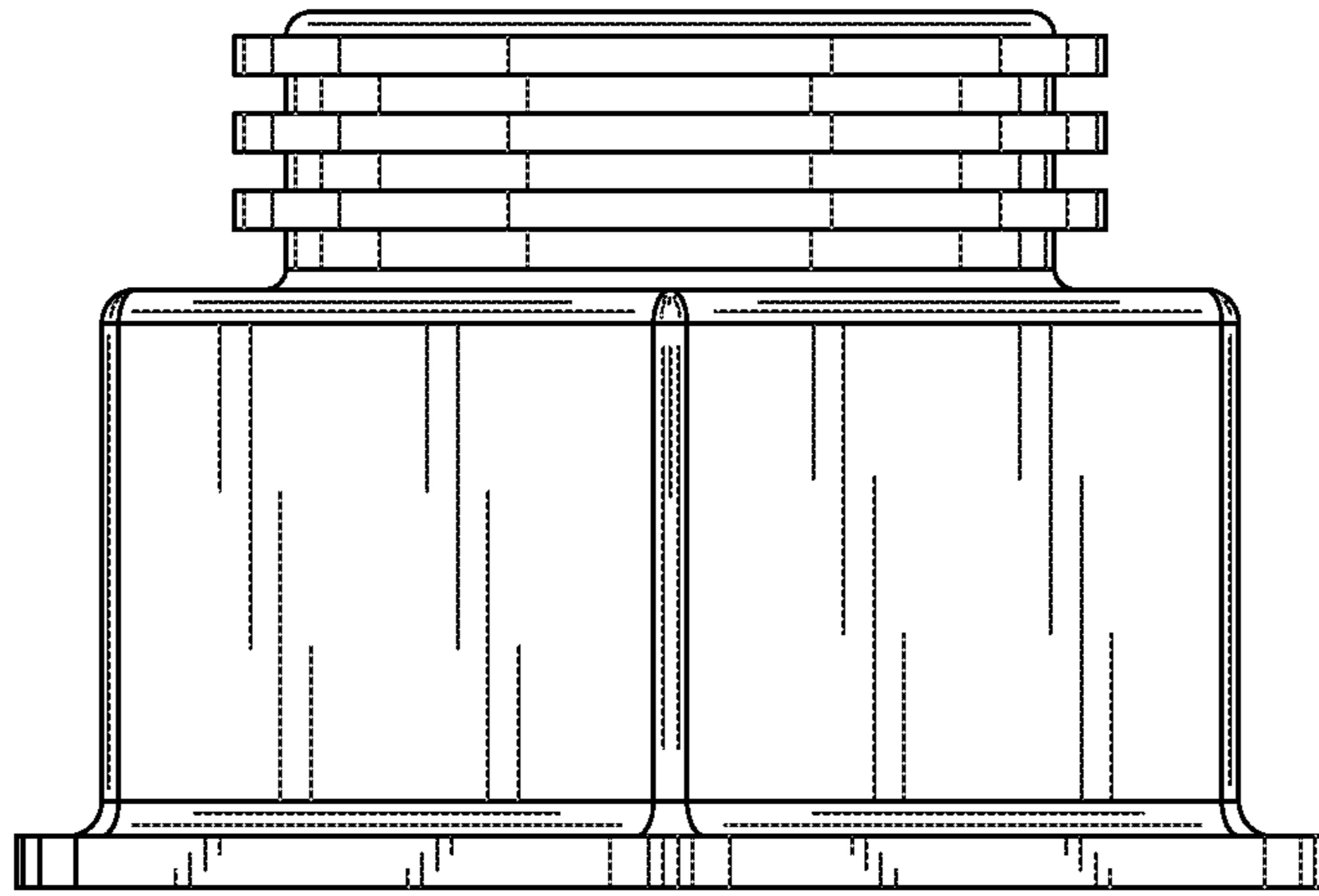


FIG. 2

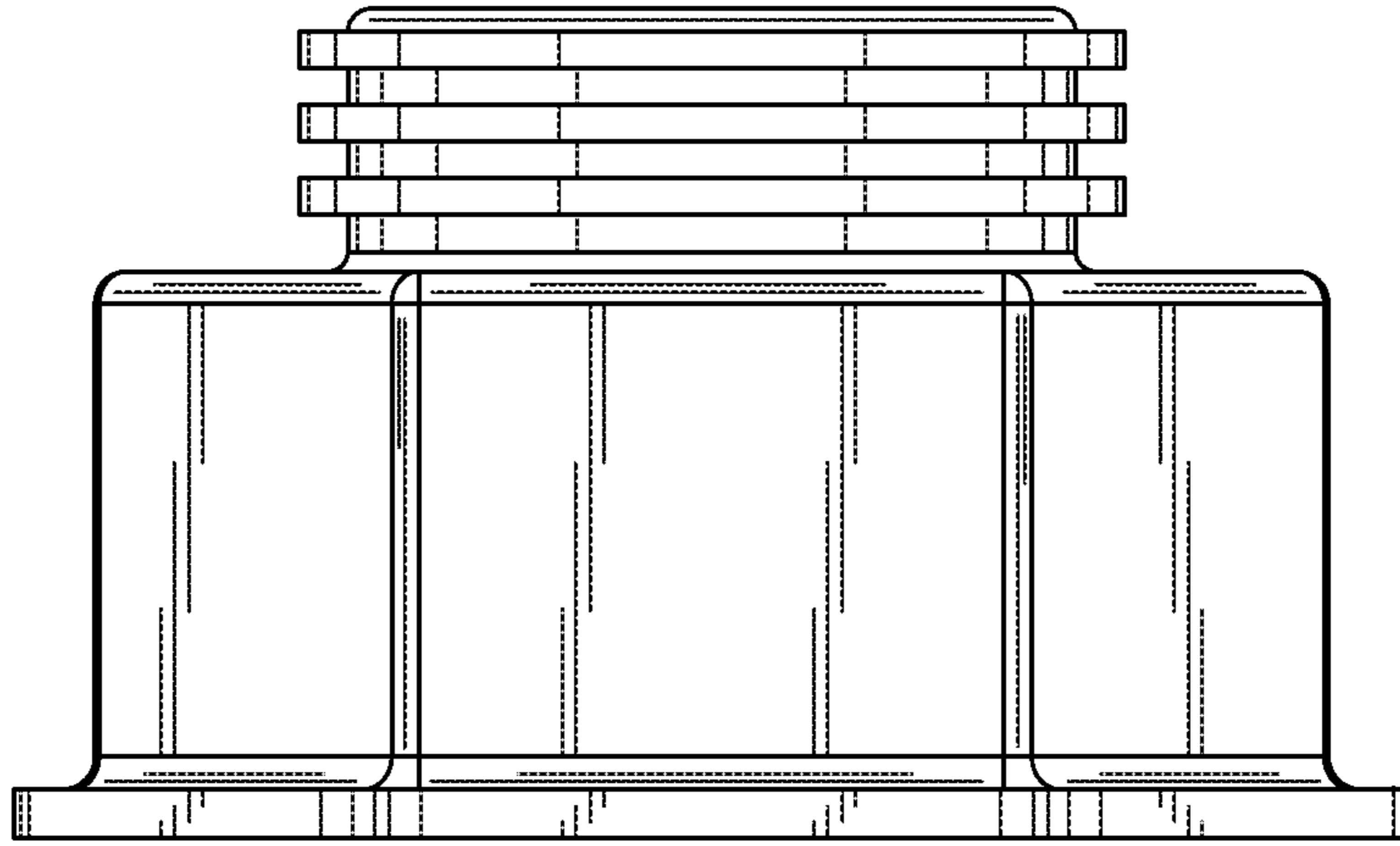


FIG. 3

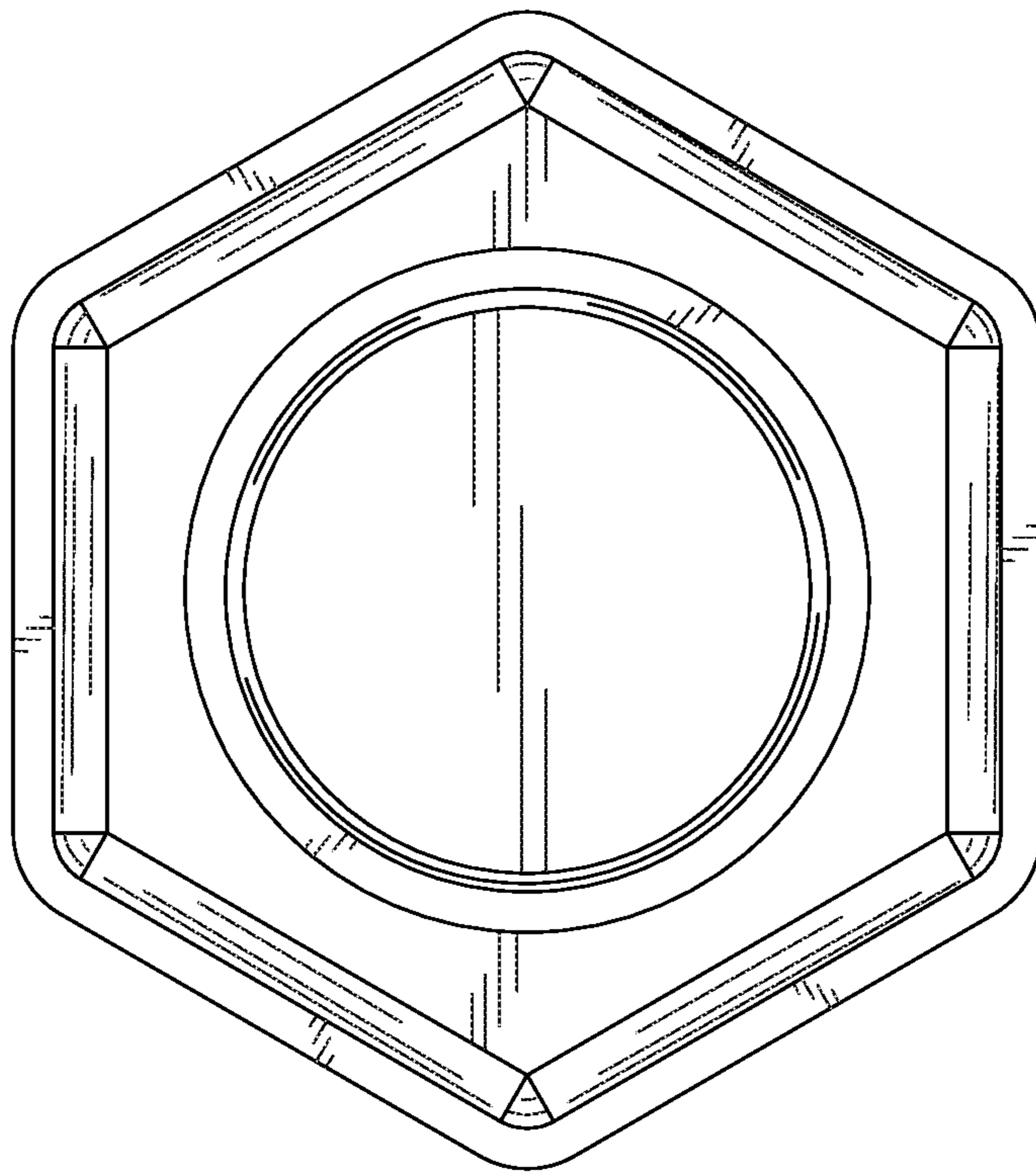


FIG. 4

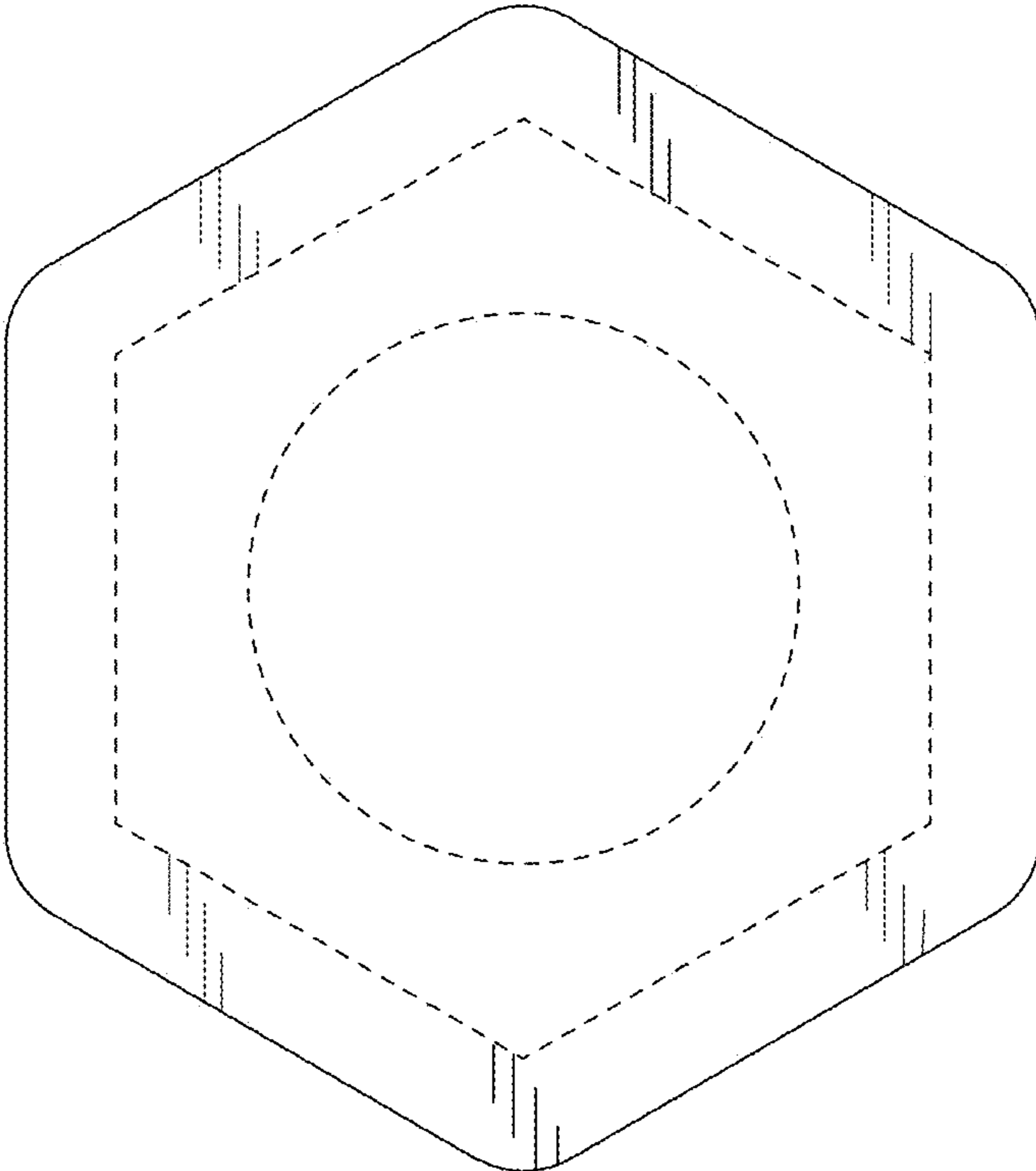


FIG. 5