



US00D907473S

(12) **United States Design Patent**
Bailey

(10) **Patent No.:** **US D907,473 S**

(45) **Date of Patent:** **** Jan. 12, 2021**

(54) **COUPLER FOR PAPER ROLLS**

(71) Applicant: **VITEC IMAGING SOLUTIONS UK LTD., Surrey (GB)**

(72) Inventor: **Matthew Bailey, Coalville (GB)**

(73) Assignee: **VITEC IMAGING SOLUTIONS UK LTD, Richmond (GB)**

(**) Term: **15 Years**

(21) Appl. No.: **29/700,657**

(22) Filed: **Aug. 5, 2019**

(30) **Foreign Application Priority Data**

Mar. 8, 2019 (EM) 006286886

(51) **LOC (13) Cl.** **08-08**

(52) **U.S. Cl.**
USPC **D8/382**

(58) **Field of Classification Search**
USPC D8/349, 354, 499, 382, 396; D4/122,
D4/128, 138

CPC A47K 10/40; A47K 10/38; B65H 75/185;
B65B 63/02; B05C 17/0217
See application file for complete search history.

(56) **References Cited**

U.S. PATENT DOCUMENTS

- 1,813,920 A * 7/1931 Gallagher B65H 75/08
403/365
- 2,891,301 A * 6/1959 Conklin B05C 17/02
492/19
- 3,371,776 A * 3/1968 Voissem B65H 75/185
206/394
- 3,627,220 A * 12/1971 Vogel B65D 85/66
242/613.5
- 3,840,194 A * 10/1974 Vetter B65H 75/185
242/613.5

- RE30,168 E * 12/1979 Mason B65H 75/185
206/413
- D261,357 S * 10/1981 Doonan D8/499
- D262,093 S * 12/1981 Bush 52/687
- 4,327,874 A * 5/1982 Bruno B65H 75/185
242/129.51
- 4,372,500 A * 2/1983 Saraisky B65H 75/185
242/557
- D277,246 S * 1/1985 Sjostedt D6/523
- 5,749,539 A * 5/1998 Ratzel B31D 5/0047
242/588.2
- D397,607 S * 9/1998 Lawson D8/397
- 6,019,308 A * 2/2000 Huang B65B 67/085
242/588.2
- 6,027,069 A * 2/2000 Huang B65B 67/085
242/588.2
- D423,789 S * 5/2000 Saji D4/122

(Continued)

Primary Examiner — Lilyana Bekic

Assistant Examiner — Ieisha N Price

(74) *Attorney, Agent, or Firm* — Volpe Koenig

(57) **CLAIM**

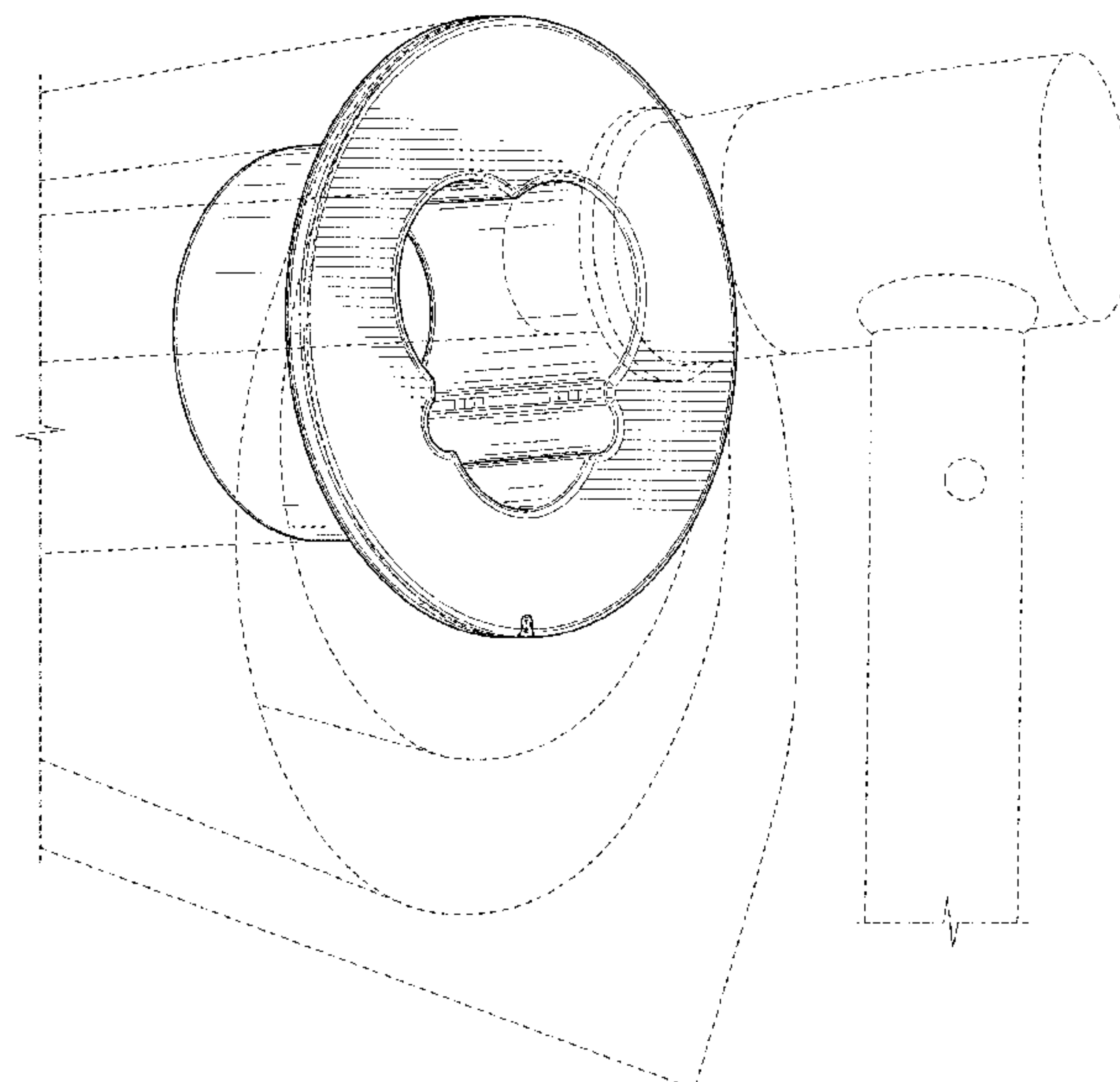
The ornamental design for a coupler for paper rolls, as shown and described.

DESCRIPTION

FIG. 1 is a front perspective view of coupler for paper rolls according to my new design;
 FIG. 2 is a front view thereof;
 FIG. 3 is a side view of thereof, wherein the coupler for paper rolls is shown slightly rotated;
 FIG. 4 is a top rear perspective view thereof;
 FIG. 5 is a bottom rear perspective view thereof;
 FIG. 6 is a rear view thereof; and,
 FIG. 7 is a perspective view of the coupler for paper rolls shown in use.

The evenly spaced and dot-dash-dot broken lines shown in FIG. 7 illustrates the environment of the claimed design and forms no part thereof.

1 Claim, 7 Drawing Sheets



(56)

References Cited

U.S. PATENT DOCUMENTS

D439,416 S * 3/2001 Weiss D4/122
 6,367,734 B1 * 4/2002 Cartwright A47K 10/40
 242/598.1
 6,561,453 B1 * 5/2003 Shinga B65H 16/06
 242/578.2
 6,883,292 B1 * 4/2005 Chen B65B 11/04
 53/389.1
 D533,899 S * 12/2006 Ohashi D18/56
 D558,037 S * 12/2007 Chelchowski D8/382
 D585,732 S * 2/2009 Hagleitner D15/143
 D611,967 S * 3/2010 Hjort D15/138
 D616,650 S * 6/2010 Saadian D4/122
 D623,045 S * 9/2010 Moncade D8/354
 D623,049 S * 9/2010 Zeyfang D8/397
 D624,571 S * 9/2010 Hagleitner D15/143
 D634,612 S * 3/2011 Ghatikar D8/382
 D719,374 S * 12/2014 Myron D6/523
 D736,315 S * 8/2015 Jour D19/86
 D793,216 S * 8/2017 Divers D8/396
 D823,101 S * 7/2018 Wassdahl D8/382
 D825,654 S * 8/2018 Nose D18/56
 D841,782 S * 2/2019 Wada D23/260
 D867,106 S * 11/2019 Blattel D8/349
 D878,520 S * 3/2020 Auxter D23/249

D892,608 S * 8/2020 Hu D8/396
 2001/0032904 A1 * 10/2001 Liu B65H 75/242
 242/571.4
 2002/0134057 A1 * 9/2002 Haraguchi B65B 9/08
 53/568
 2002/0170996 A1 * 11/2002 Fukugawa B65H 75/14
 242/160.4
 2004/0168276 A1 * 9/2004 Lye B05C 17/0217
 15/230.11
 2006/0175460 A1 * 8/2006 Hua B65H 16/06
 242/579
 2007/0075180 A1 * 4/2007 Morand B65H 75/185
 242/596.7
 2008/0164369 A1 * 7/2008 Adelakun B65H 75/185
 242/579
 2009/0321553 A1 * 12/2009 Milton B65H 75/185
 242/610.4
 2010/0236956 A1 * 9/2010 Kling A47K 10/40
 206/391
 2011/0114777 A1 * 5/2011 Kling A47K 10/40
 242/160.1
 2011/0114778 A1 * 5/2011 Andersson A47K 10/40
 242/160.1
 2015/0217959 A1 * 8/2015 Kohn B65H 18/28
 242/160.1
 2018/0304179 A1 * 10/2018 Auxter B01D 27/103

* cited by examiner

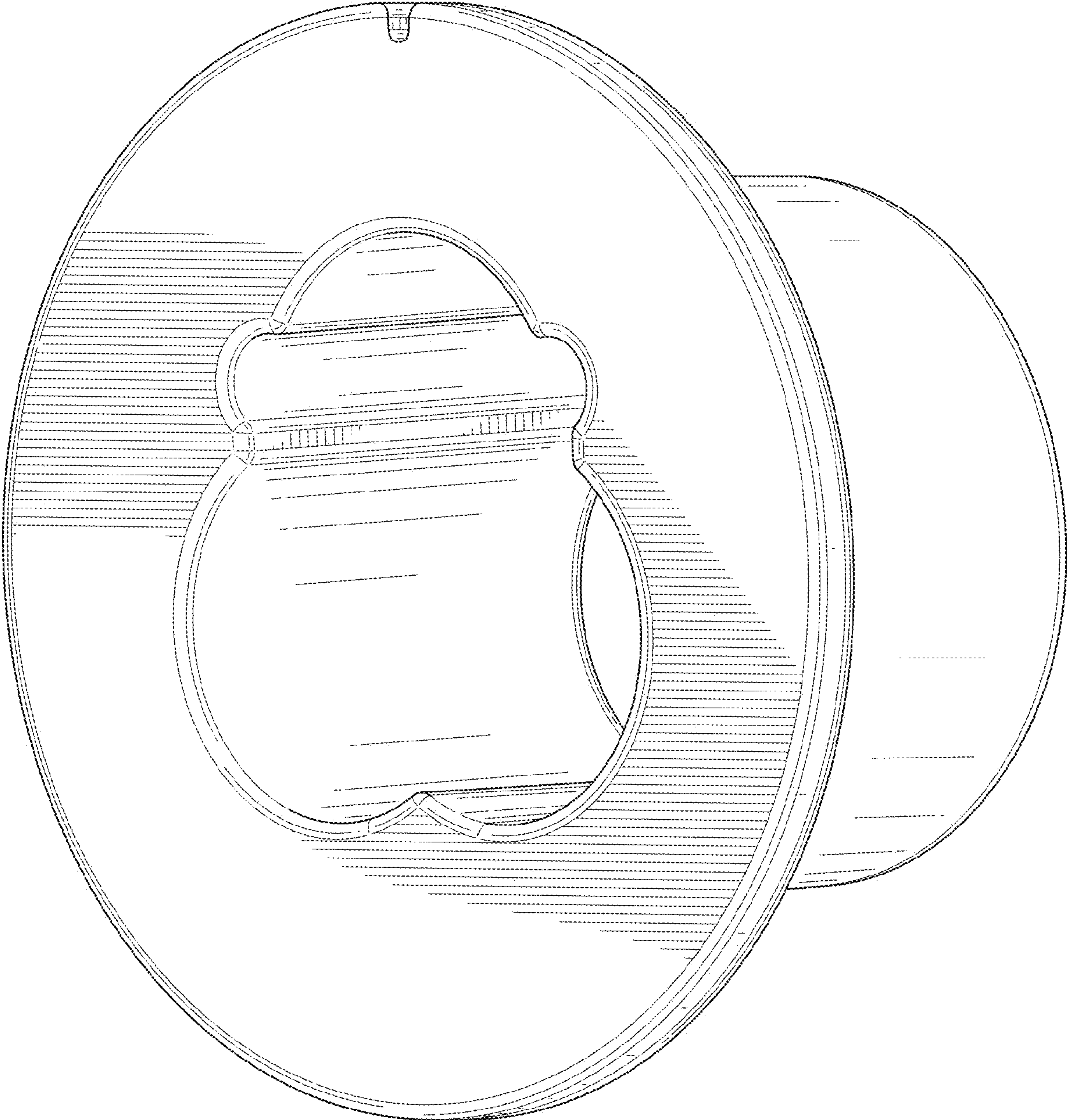


FIG. 1

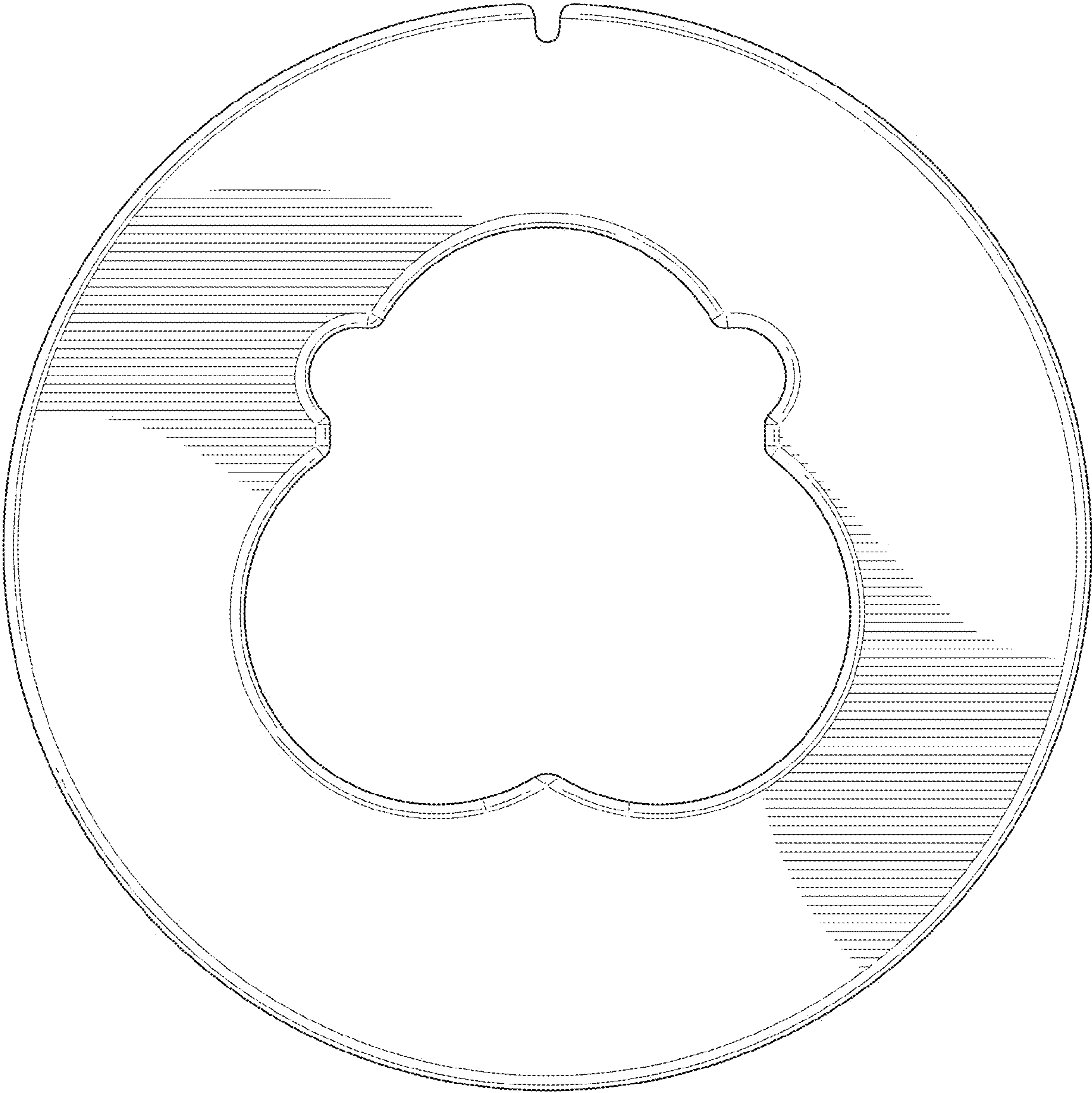


FIG. 2

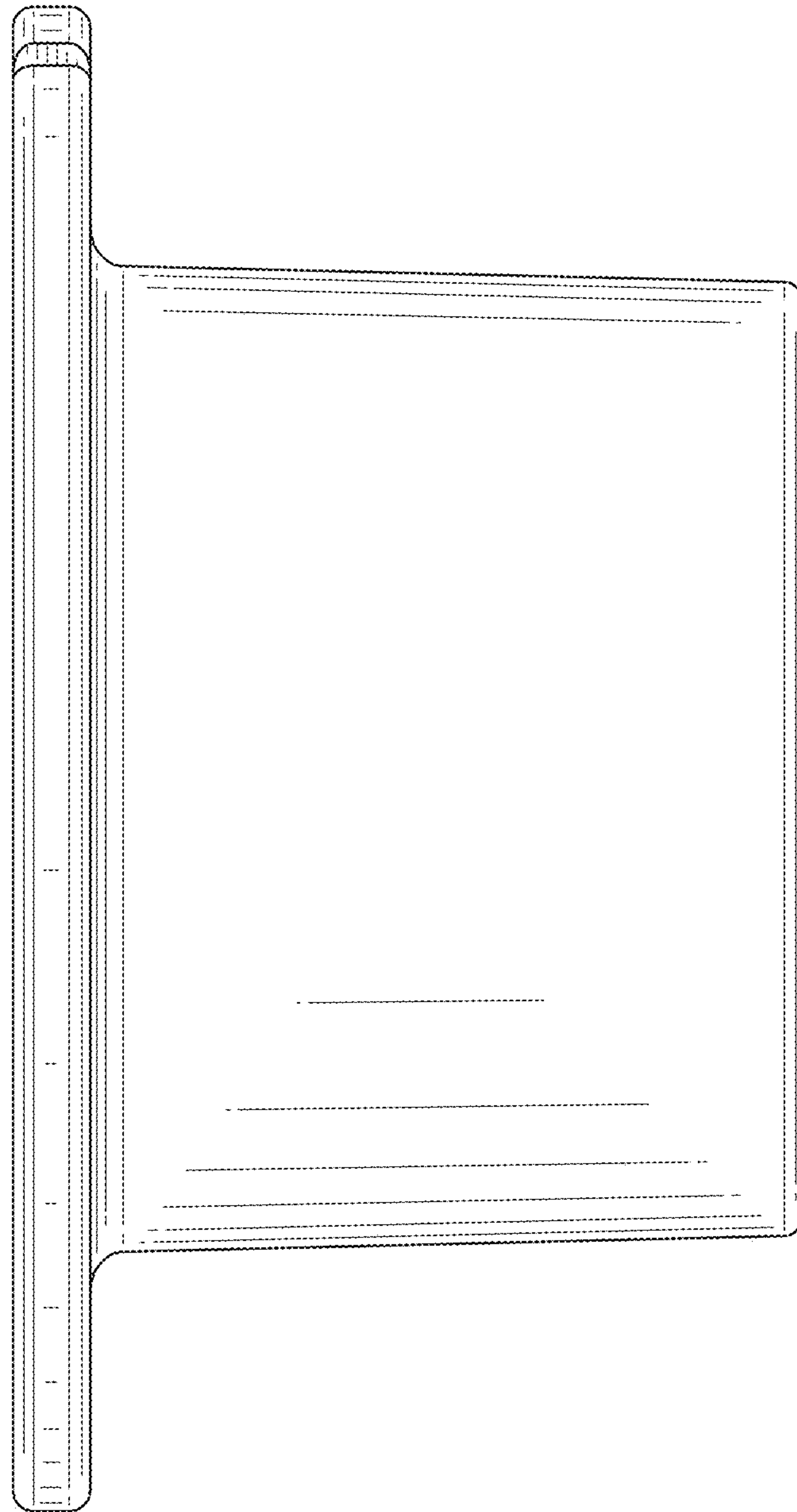


FIG. 3

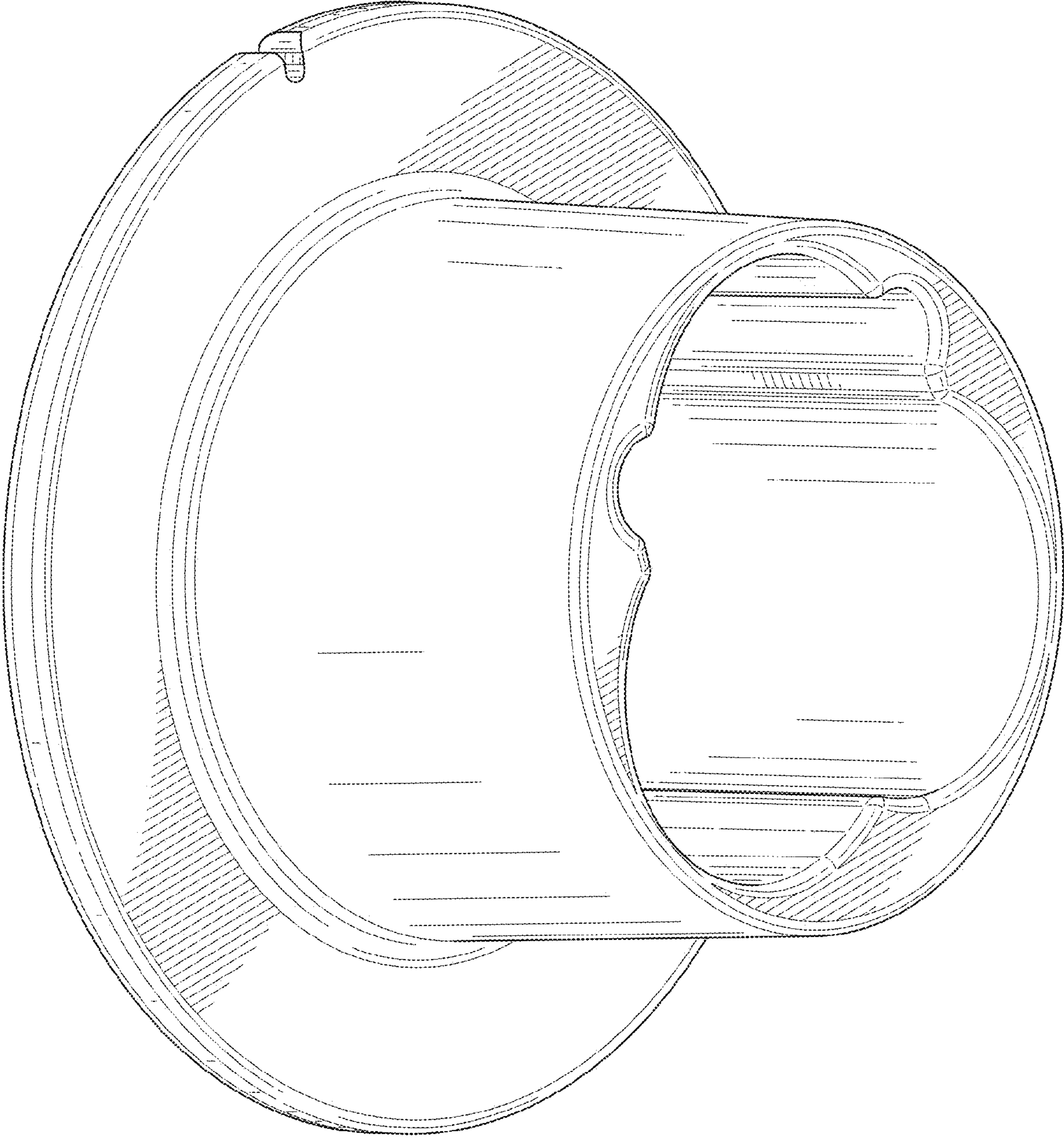


FIG. 4

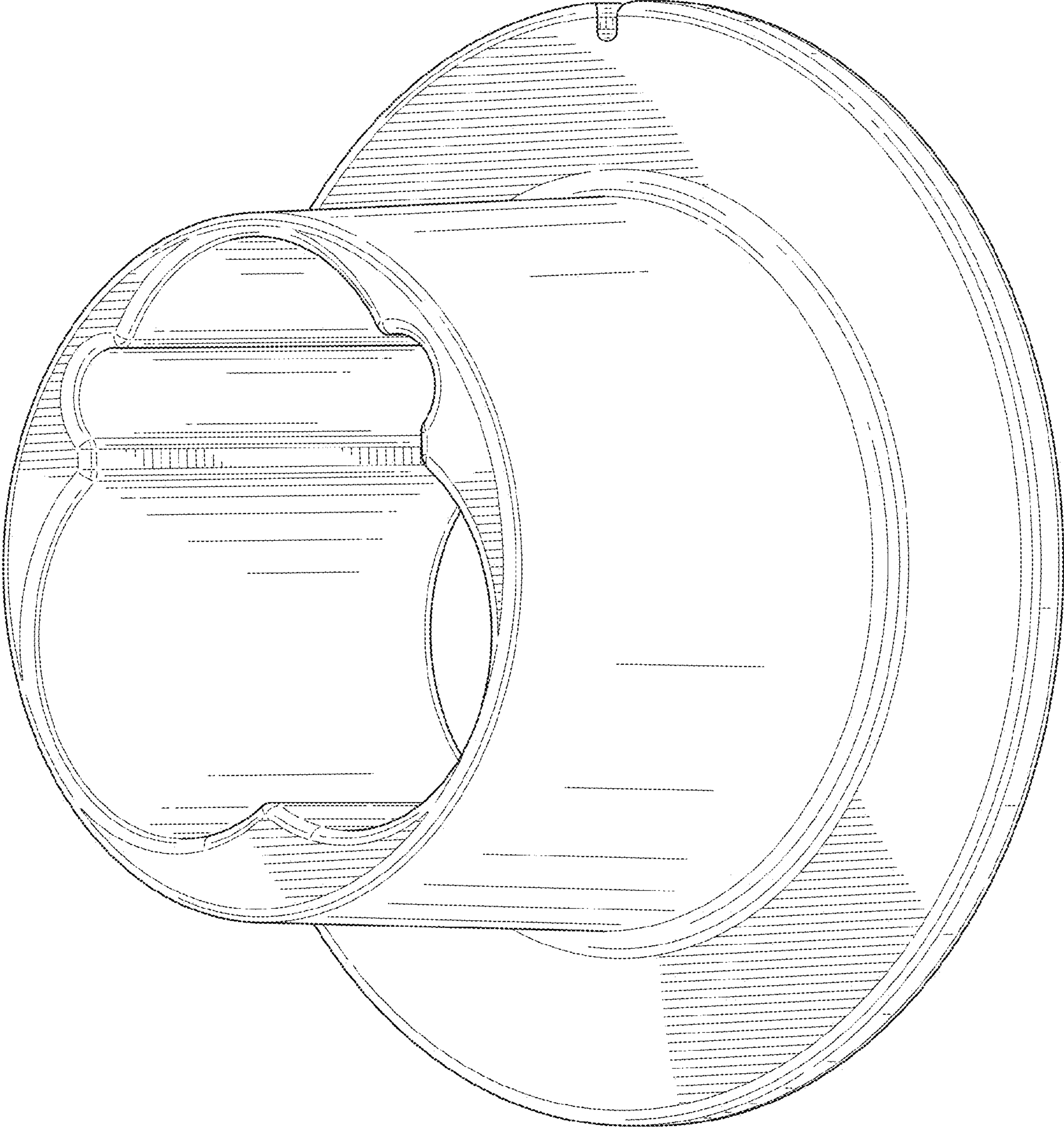


FIG. 5

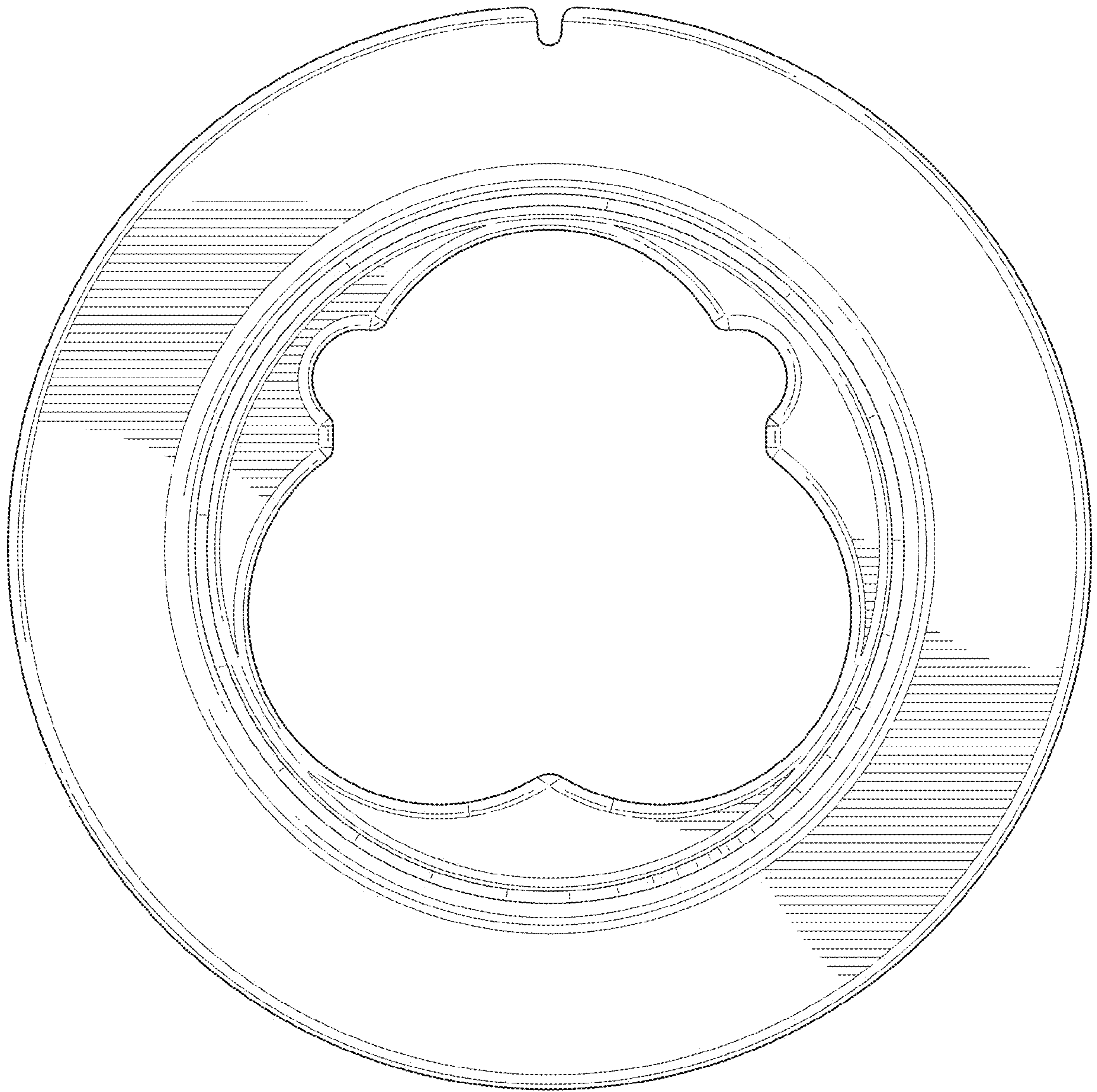


FIG. 6

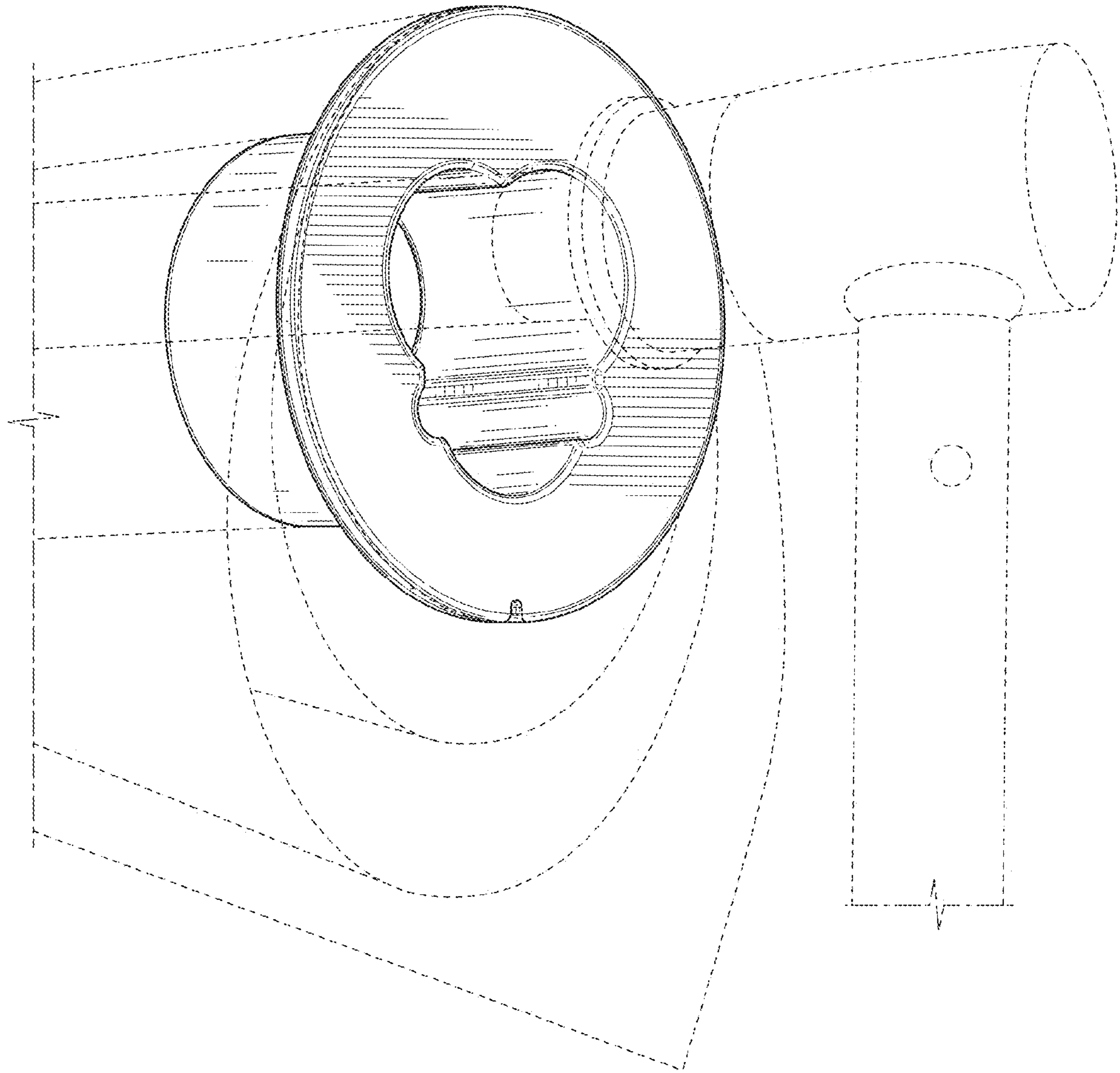


FIG. 7