



US00D907472S

(12) **United States Design Patent**  
**Schutz**

(10) **Patent No.:** **US D907,472 S**  
(45) **Date of Patent:** **\*\* Jan. 12, 2021**

(54) **COUPLING CONNECTOR FOR FRAMED STRUCTURES**

(71) Applicant: **Nicholas Andrew Schutz**, Highbury (AU)

(72) Inventor: **Nicholas Andrew Schutz**, Highbury (AU)

(73) Assignee: **Nicholas Andrew Schutz**, Highbury (AU)

(\*\*) Term: **15 Years**

(21) Appl. No.: **29/669,047**

(22) Filed: **Nov. 5, 2018**

(51) **LOC (13) Cl.** ..... **08-08**

(52) **U.S. Cl.**

USPC ..... **D8/382**

(58) **Field of Classification Search**

USPC ..... D8/71, 349, 354, 373, 381, 382;  
D25/38.1, 39, 43, 44, 126, 131, 133, 199,  
D25/41.1, 68

CPC ..... E04H 17/00; E04H 17/22; E04H 17/24;  
E04H 17/1413; E04H 2017/1447; E04H  
17/1443; E04H 17/1434

See application file for complete search history.

(56) **References Cited**

**U.S. PATENT DOCUMENTS**

- 3,370,836 A \* 2/1968 Ashworth ..... E06B 11/04  
256/47
- 4,114,861 A \* 9/1978 Long ..... E04H 17/1413  
248/219.4
- 4,280,686 A \* 7/1981 Wack ..... E04H 17/1413  
256/65.07
- D316,219 S \* 4/1991 Boehnke ..... D8/373
- 5,046,705 A \* 9/1991 Williams ..... E01F 7/02  
256/36
- 5,186,571 A \* 2/1993 Hentzschel ..... E04B 1/2608  
256/65.06

- D375,038 S \* 10/1996 Trevorrow ..... D8/354
- D376,529 S \* 12/1996 Davies ..... D8/349
- 5,873,671 A \* 2/1999 West ..... E04F 11/1834  
256/59
- 5,959,255 A \* 9/1999 Langlie ..... H01B 17/145  
174/161 F
- D544,784 S \* 6/2007 Antonic ..... D8/354

(Continued)

*Primary Examiner* — Sandra Snapp

*Assistant Examiner* — Ieisha N Price

(74) *Attorney, Agent, or Firm* — Holland & Hart LLP

(57) **CLAIM**

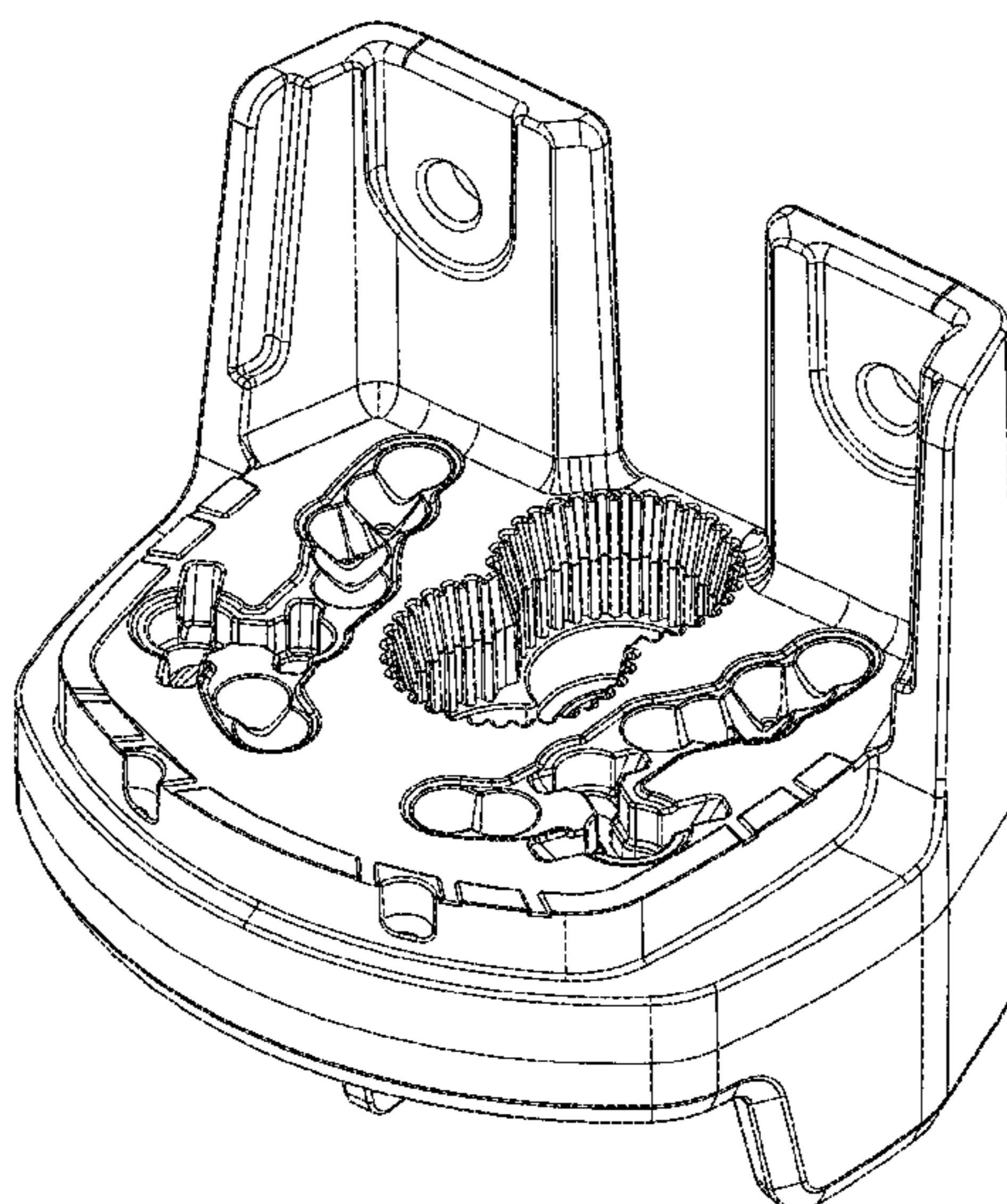
The ornamental design for a coupling connector for framed structures, as shown and described.

**DESCRIPTION**

FIG. 1 is a rear, top perspective view of the coupling connector for framed structures;  
 FIG. 2 is a front, underside perspective view of the coupling connector for framed structures;  
 FIG. 3 is a front, top perspective view of the coupling connector for framed structures;  
 FIG. 4 is a top view of the coupling connector for framed structures;  
 FIG. 5 is a rear view of the coupling connector for framed structures;  
 FIG. 6 is a left side view of the coupling connector for framed structures;  
 FIG. 7 is a front view of the coupling connector for framed structures;  
 FIG. 8 is a right side view of the coupling connector for framed structures; and,  
 FIG. 9 is an underside view of the coupling connector for framed structures.

The broken lines in the drawings illustrate portions of the coupling connector for framed structures which form no part of the claimed design.

**1 Claim, 9 Drawing Sheets**



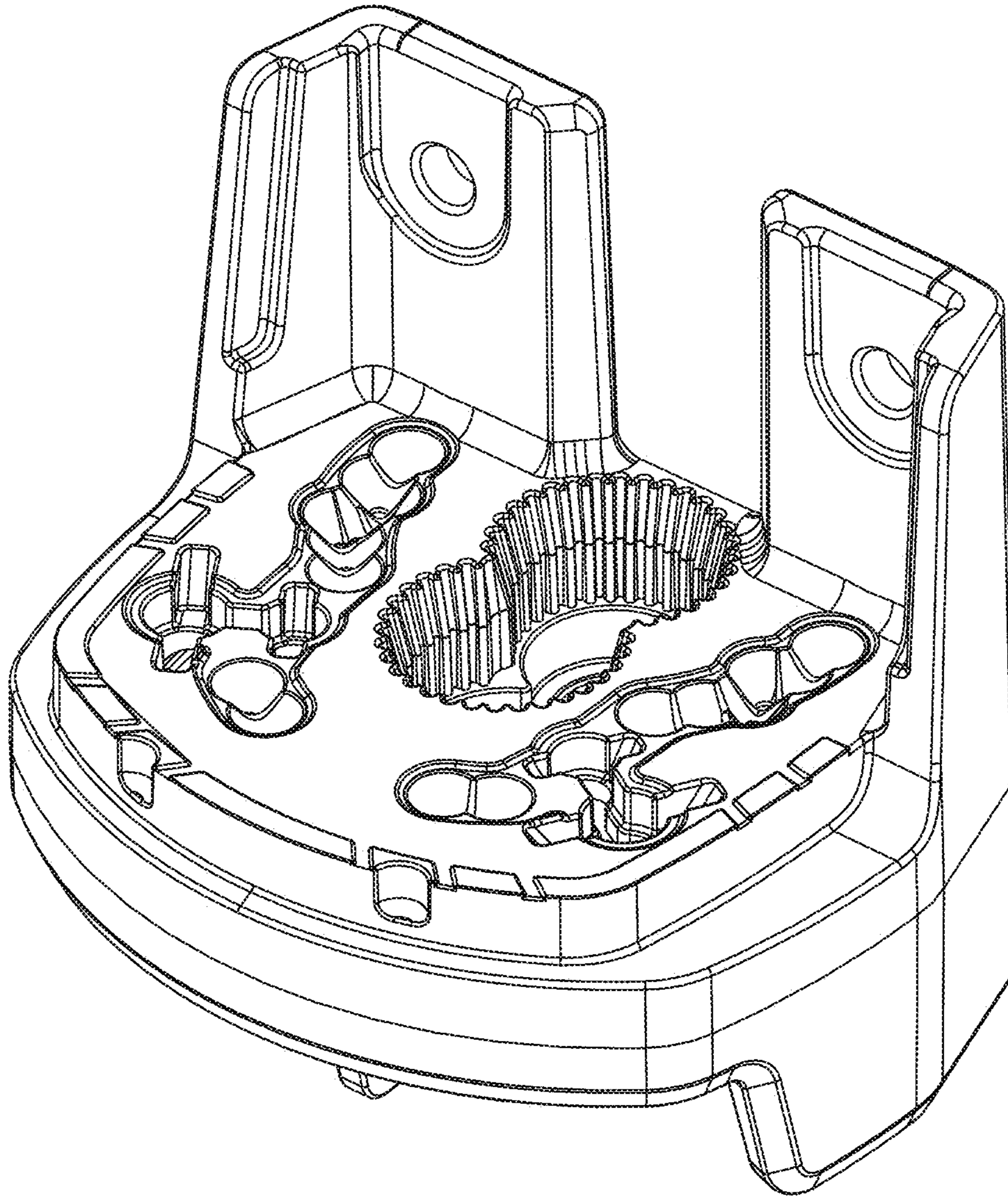
(56)

References Cited

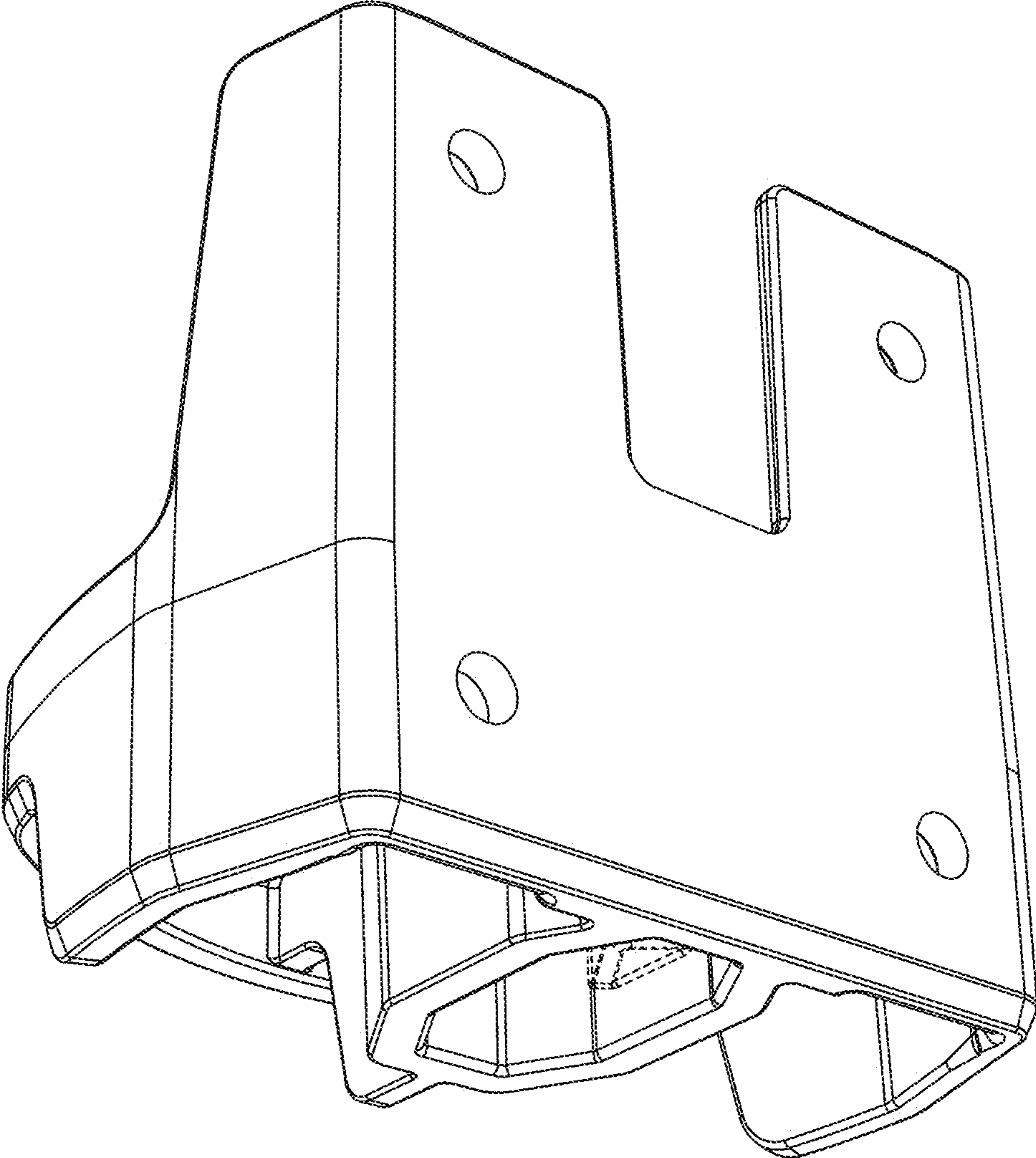
U.S. PATENT DOCUMENTS

D562,119 S *	2/2008	Prichard, Jr. ....	D8/382	2003/0136955 A1 *	7/2003	Platt .....	E04F 11/1834 256/67
D568,147 S *	5/2008	Prichard, Jr. ....	D8/382	2004/0026679 A1 *	2/2004	Terrels .....	E04H 17/1443 256/65.03
D585,269 S *	1/2009	Prichard, Jr. ....	D8/382	2004/0046162 A1 *	3/2004	Zhu .....	E04H 17/1439 256/65.03
D588,440 S *	3/2009	Antonic .....	D8/354	2006/0033093 A1 *	2/2006	Lo .....	E04H 17/1443 256/65.02
D649,016 S *	11/2011	Rasmussen .....	D8/354	2006/0278472 A1 *	12/2006	Kenton .....	E06B 11/00 182/113
D783,385 S *	4/2017	Zhu .....	D8/349	2015/0184419 A1 *	7/2015	Zhu .....	E04H 17/14 256/66
D794,420 S *	8/2017	Emmons .....	D8/349	2015/0291099 A1 *	10/2015	Koshy .....	E02F 9/0833 256/67
D821,850 S *	7/2018	Tyrer .....	D8/354	2016/0003409 A1 *	1/2016	Johns .....	E04H 17/22 248/218.4
D822,853 S *	7/2018	Honein .....	D25/133	2016/0025241 A1 *	1/2016	Johns .....	E04H 17/24 248/65
D824,241 S *	7/2018	Tyrer .....	D8/354				
D835,973 S *	12/2018	Bertato .....	D8/354				
D843,806 S *	3/2019	Brigham .....	D8/71				
D847,607 S *	5/2019	Granberg .....	D8/349				
2003/0126820 A1 *	7/2003	Callahan .....	E04C 3/02 52/514				
2003/0136954 A1 *	7/2003	Platt .....	E04F 11/1817 256/65.1				

\* cited by examiner



**FIG. 1**



**FIG. 2**

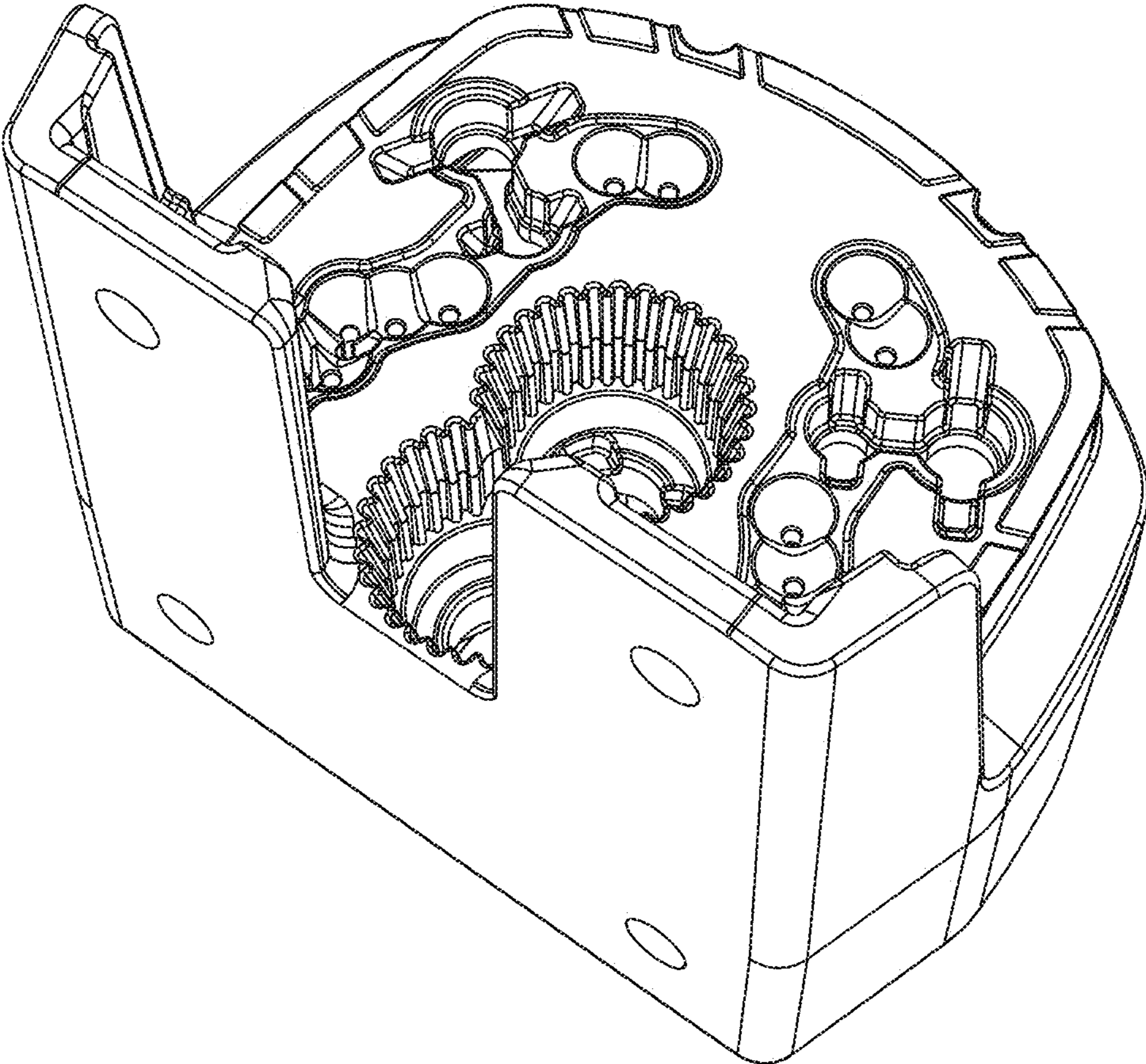


FIG. 3

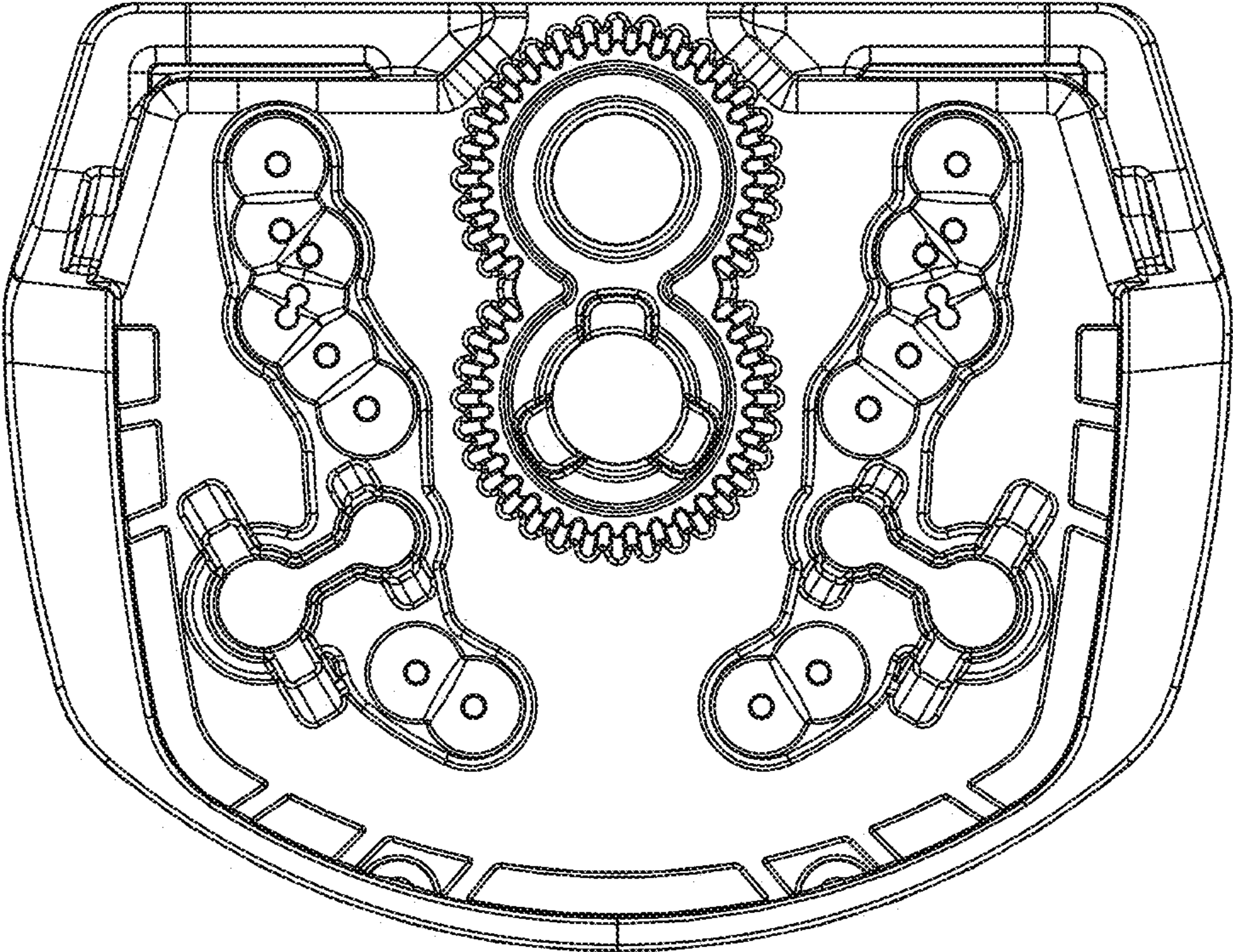
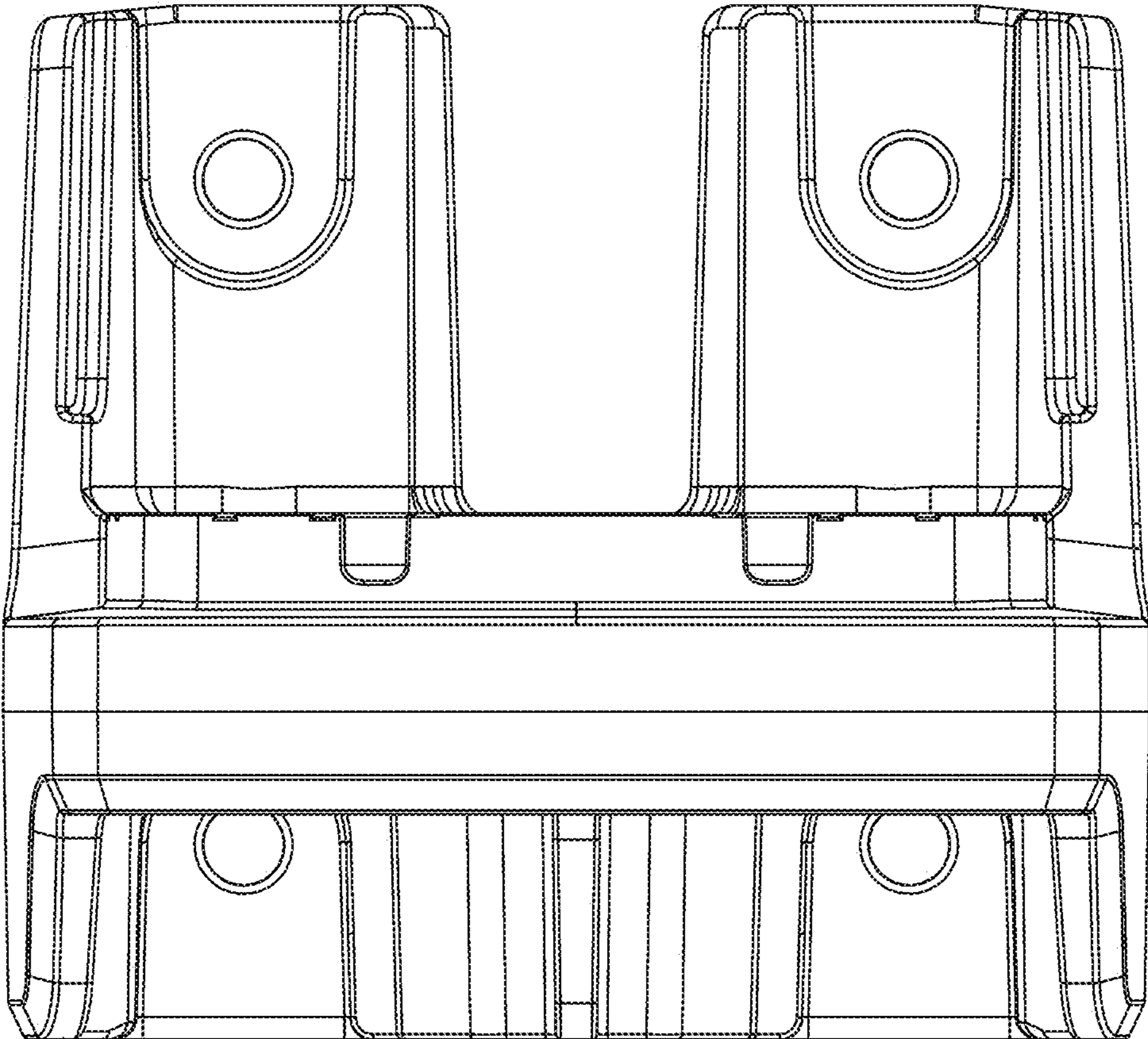
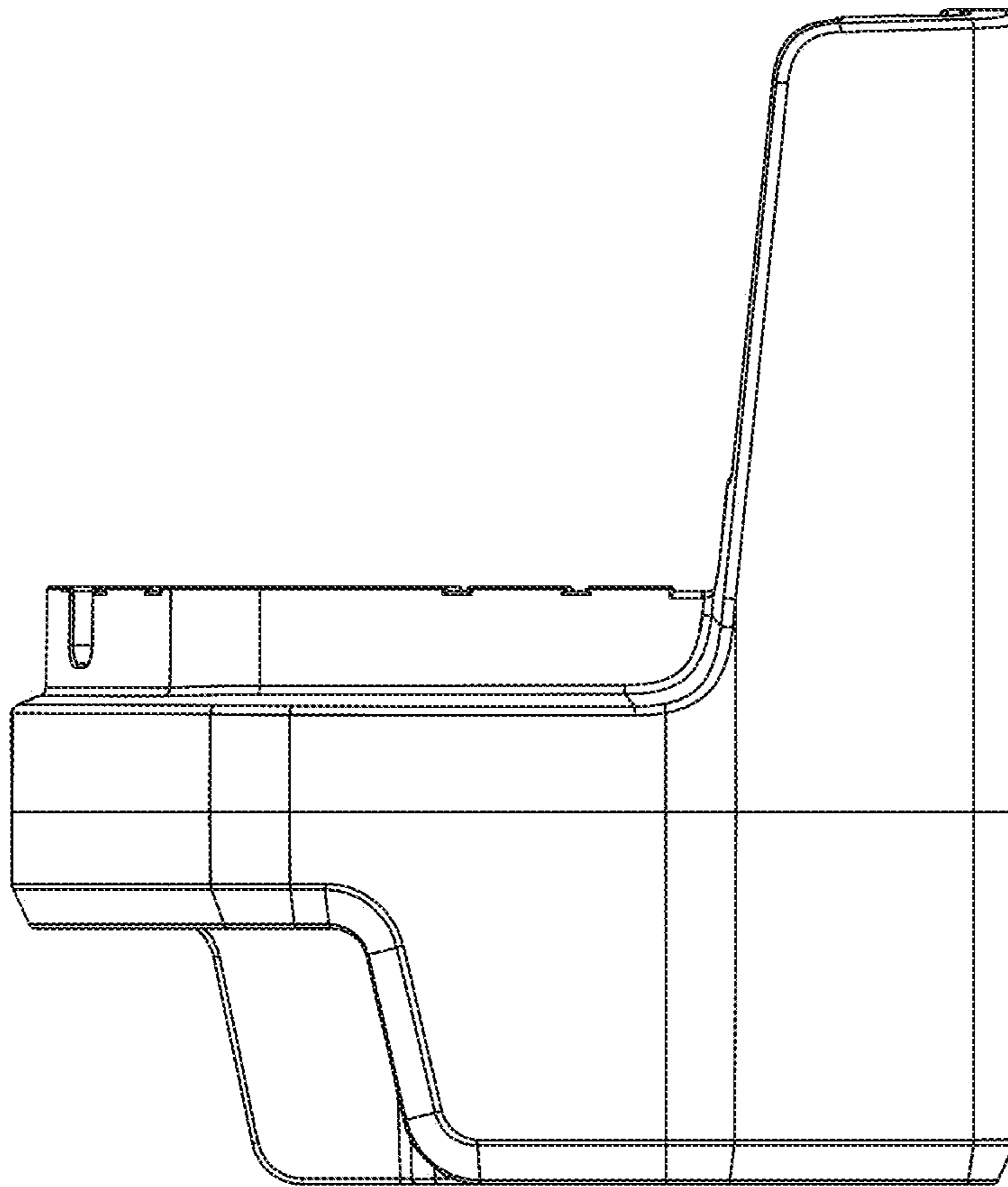


FIG. 4

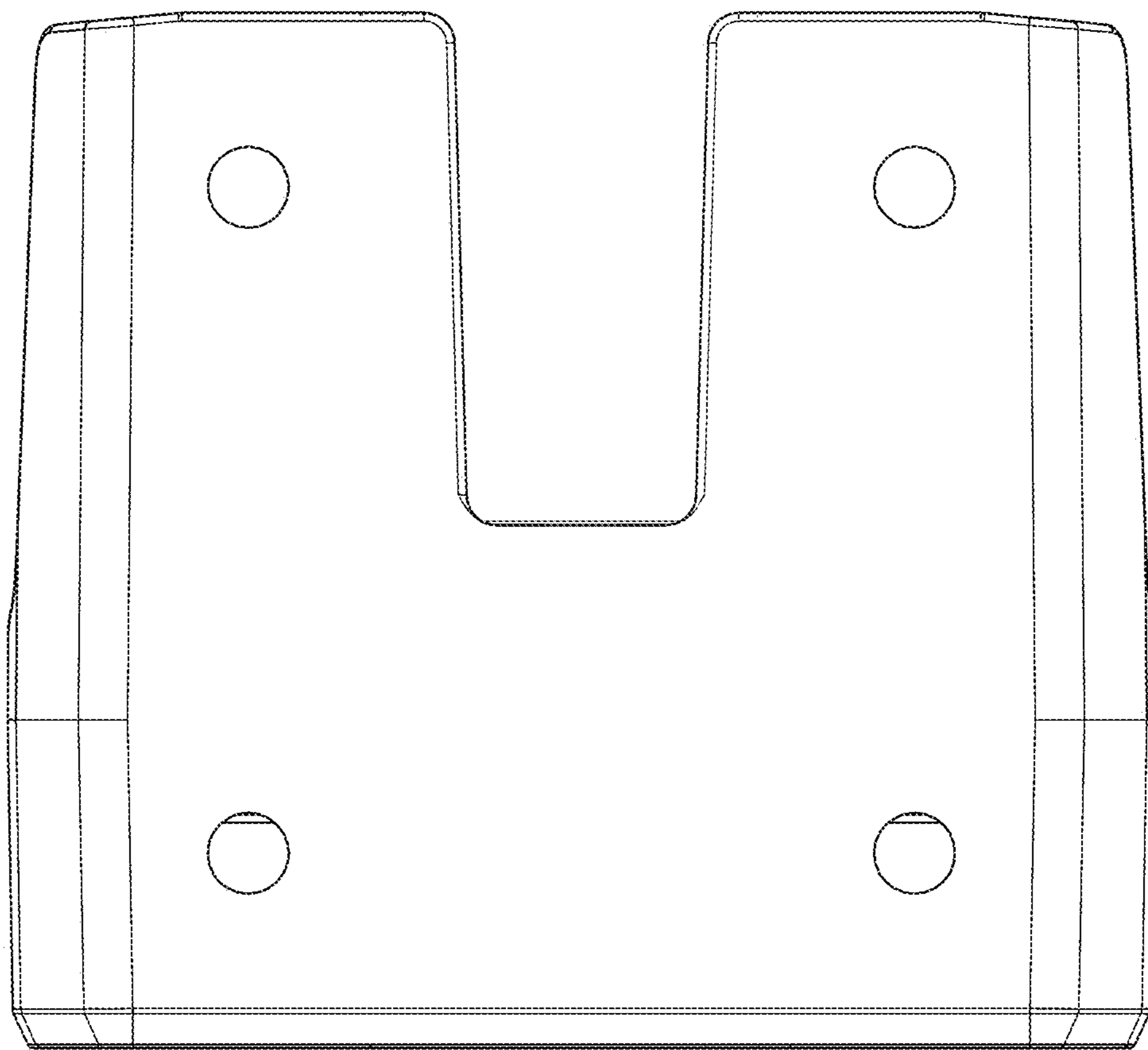


**FIG. 5**

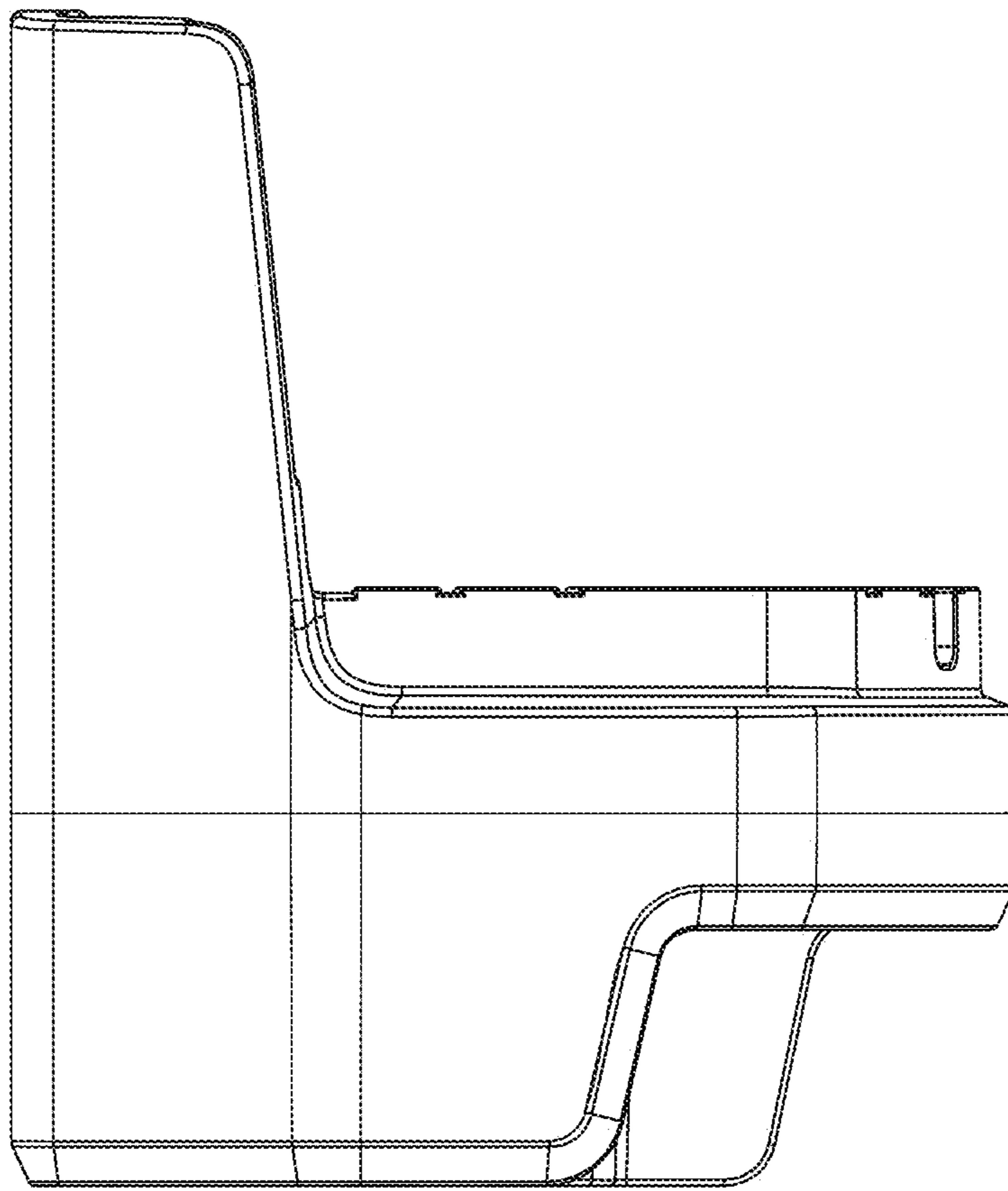


**FIG. 6**





**FIG. 7**



**FIG. 8**

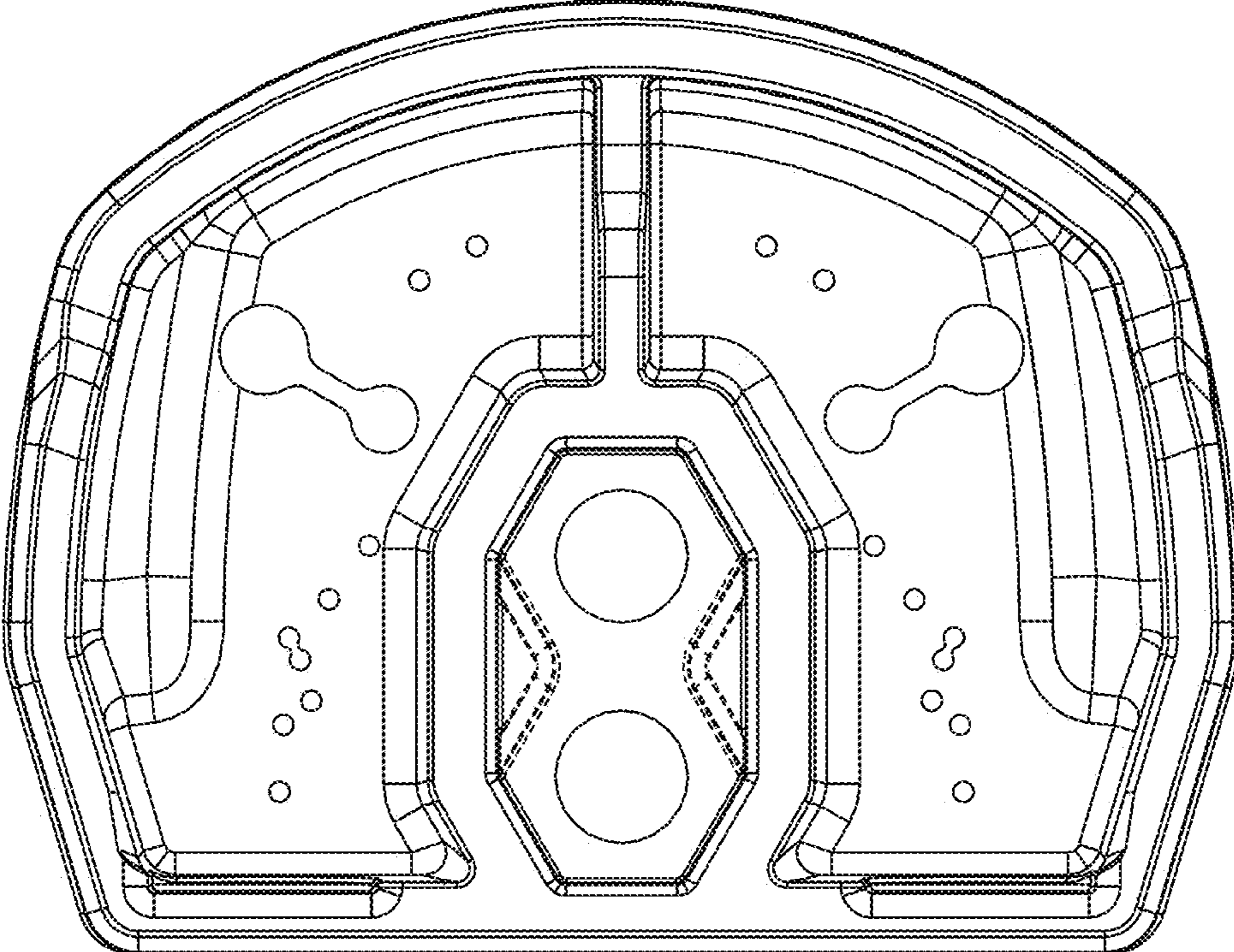


FIG. 9