



US00D907470S

(12) **United States Design Patent**
Ruddick et al.

(10) **Patent No.:** **US D907,470 S**

(45) **Date of Patent:** **** Jan. 12, 2021**

(54) **CABLE CLIP**

D255,323 S * 6/1980 Palmroth D8/373
D265,285 S * 7/1982 Englert, Jr. D8/354
D274,803 S * 7/1984 Hughes D12/126
D313,338 S * 1/1991 Rasmussen D8/356

(Continued)

(71) Applicant: **D-Line (Europe) Limited**, North Shields (GB)

(72) Inventors: **Paul David Ruddick**, North Shields (GB); **Stephen Bianchi**, North Shields (GB)

Primary Examiner — Cynthia R Underwood

(74) *Attorney, Agent, or Firm* — Alleman Hall Creasman & Tuttle LLP

(73) Assignee: **D-Line (Europe) Limited**, North Shields (GB)

(**) Term: **15 Years**

(57) **CLAIM**

The ornamental design for a cable clip, as shown and described.

(21) Appl. No.: **29/707,064**

DESCRIPTION

(22) Filed: **Sep. 25, 2019**

(30) **Foreign Application Priority Data**

Mar. 26, 2019 (EP) 006336590-0001
Mar. 26, 2019 (EP) 006336590-0002

FIG. 1 is a perspective view of an ornamental design for a cable clip.

FIG. 2 is a front elevation view of the cable clip of FIG. 1. FIG. 3 is a back elevation view of the cable clip of FIG. 1. FIG. 4 is a right elevation view of the cable clip of FIG. 1. FIG. 5 is a left elevation view of the cable clip of FIG. 1. FIG. 6 is a top plan view of the cable clip of FIG. 1.

FIG. 7 is a bottom plan view of the cable clip of FIG. 1. FIG. 8 is a perspective view of another embodiment of the cable clip with the same ornamental design shown in FIG. 1.

FIG. 9 is a front elevation view of the cable clip of FIG. 8. FIG. 10 is a back elevation view of the cable clip of FIG. 8. FIG. 11 is a right elevation view of the cable clip of FIG. 8. FIG. 12 is a left elevation view of the cable clip of FIG. 8. FIG. 13 is a top plan view of the cable clip of FIG. 8; and, FIG. 14 is a bottom plan view of the cable clip of FIG. 8. FIGS. 1-14 depict an ornamental design for a cable clip including a central region and two arms. The cable clip may be used to secure a cable, for example to a surface via use of a fastener.

(51) **LOC (13) Cl.** **09-06**

(52) **U.S. Cl.**
USPC **D8/356; D8/354**

(58) **Field of Classification Search**
USPC D8/323, 349, 356, 394, 381, 354;
D12/412; 16/250, 338, 227; 242/388.6;
D13/155

CPC E05D 11/082; E05D 5/12; E05D 1/02;
B64G 1/222; B60N 2/01508

See application file for complete search history.

(56) **References Cited**

U.S. PATENT DOCUMENTS

3,359,701 A * 12/1967 Schneller E04B 1/41
52/712
D245,312 S * 8/1977 Rasmussen D8/356

1 Claim, 14 Drawing Sheets

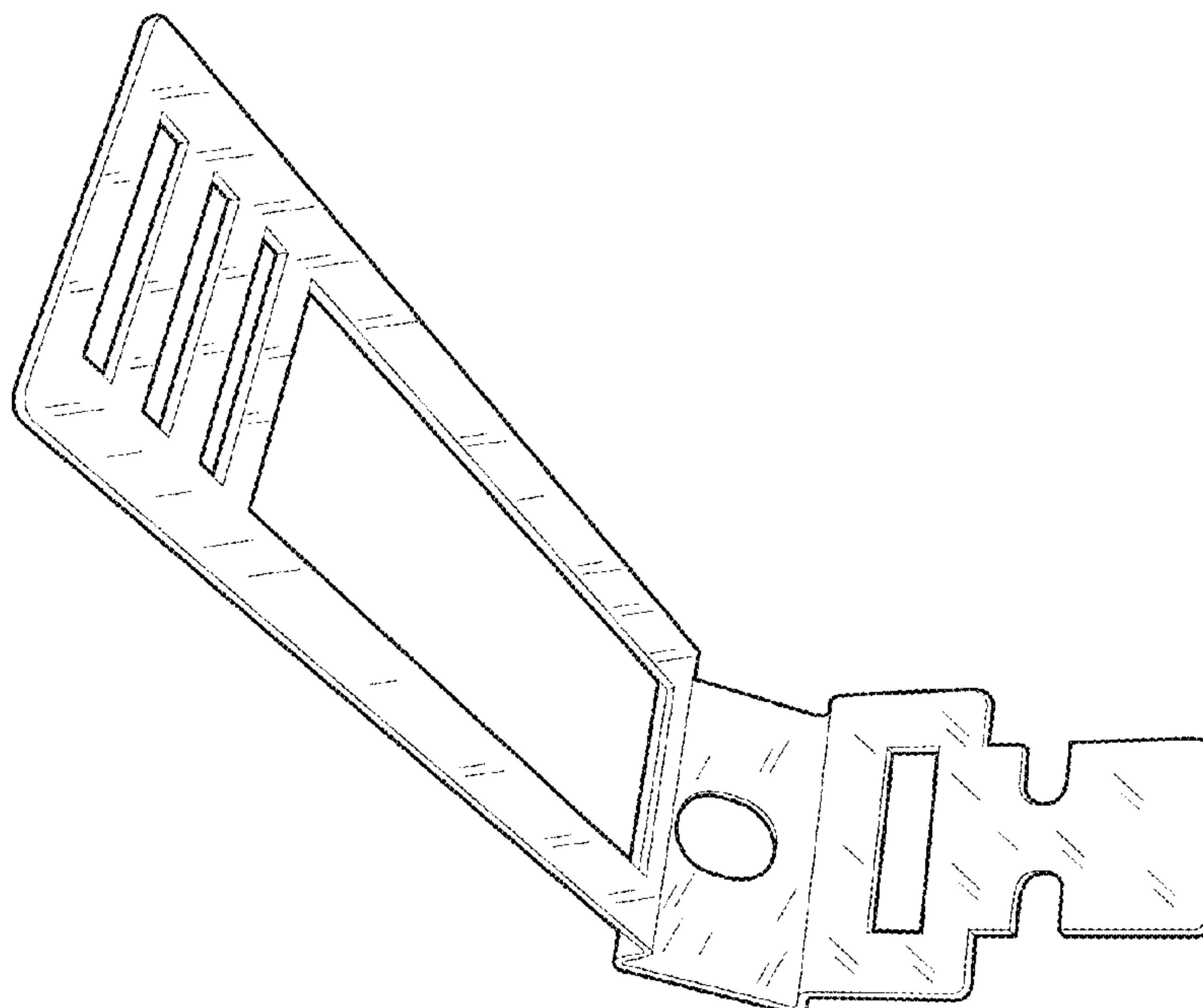


FIG. 1

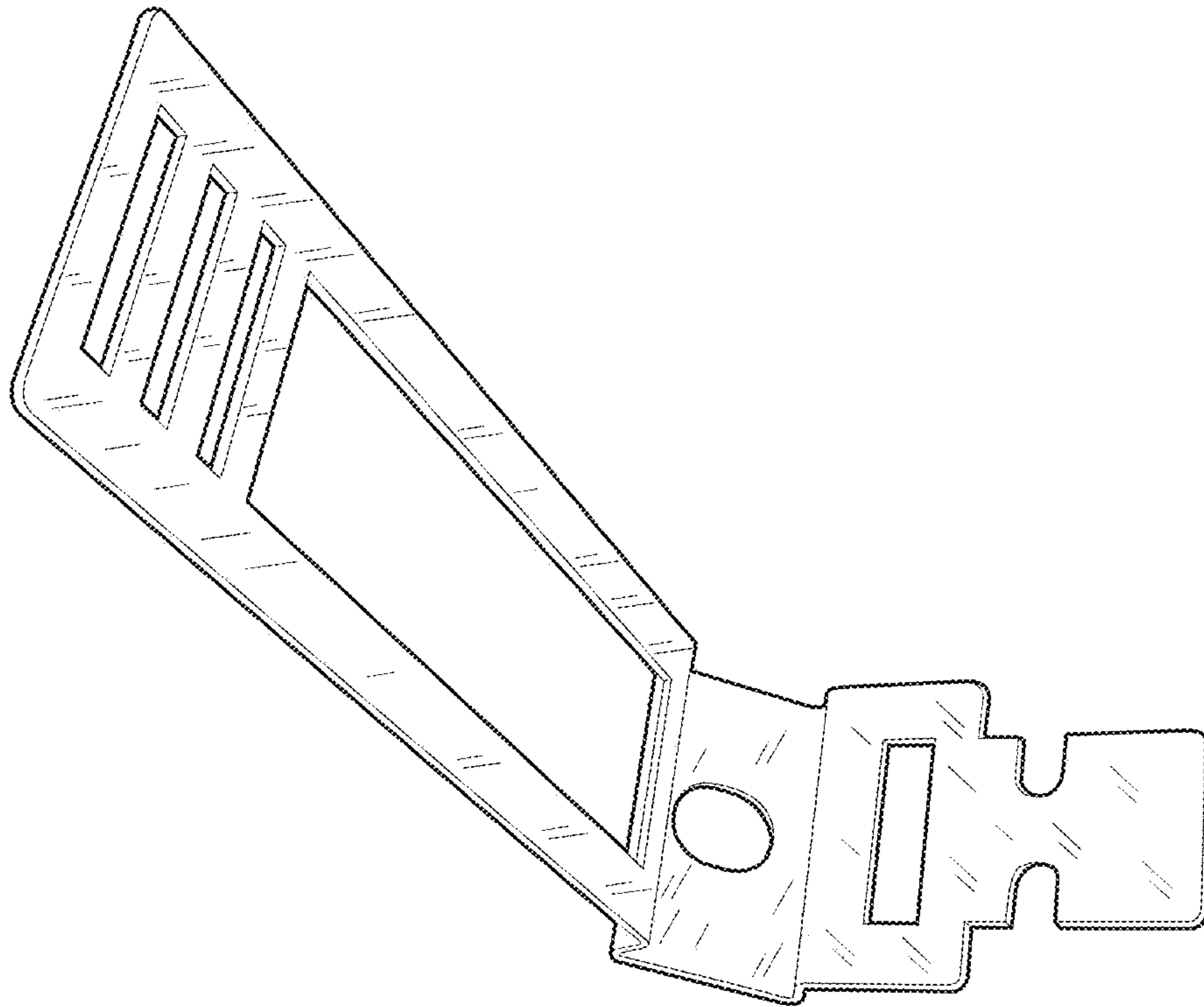


FIG. 2

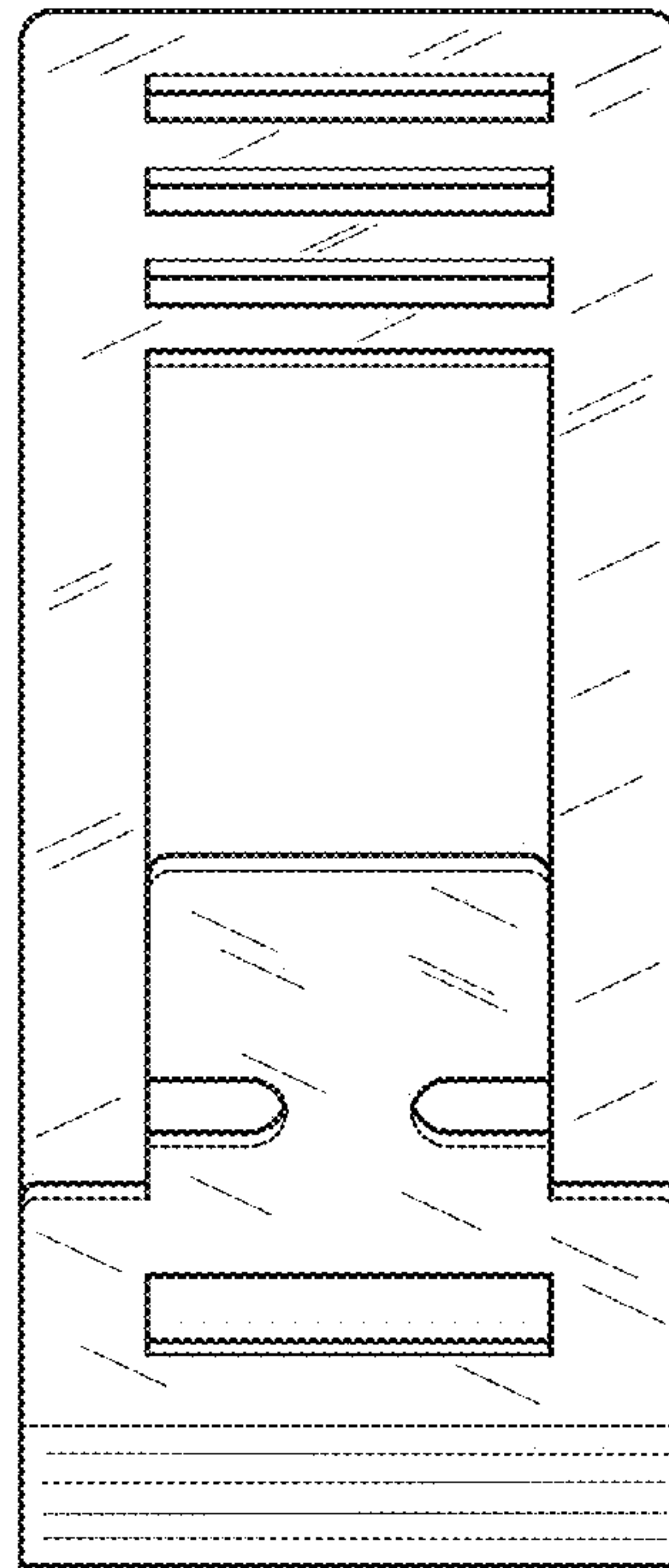


FIG. 3

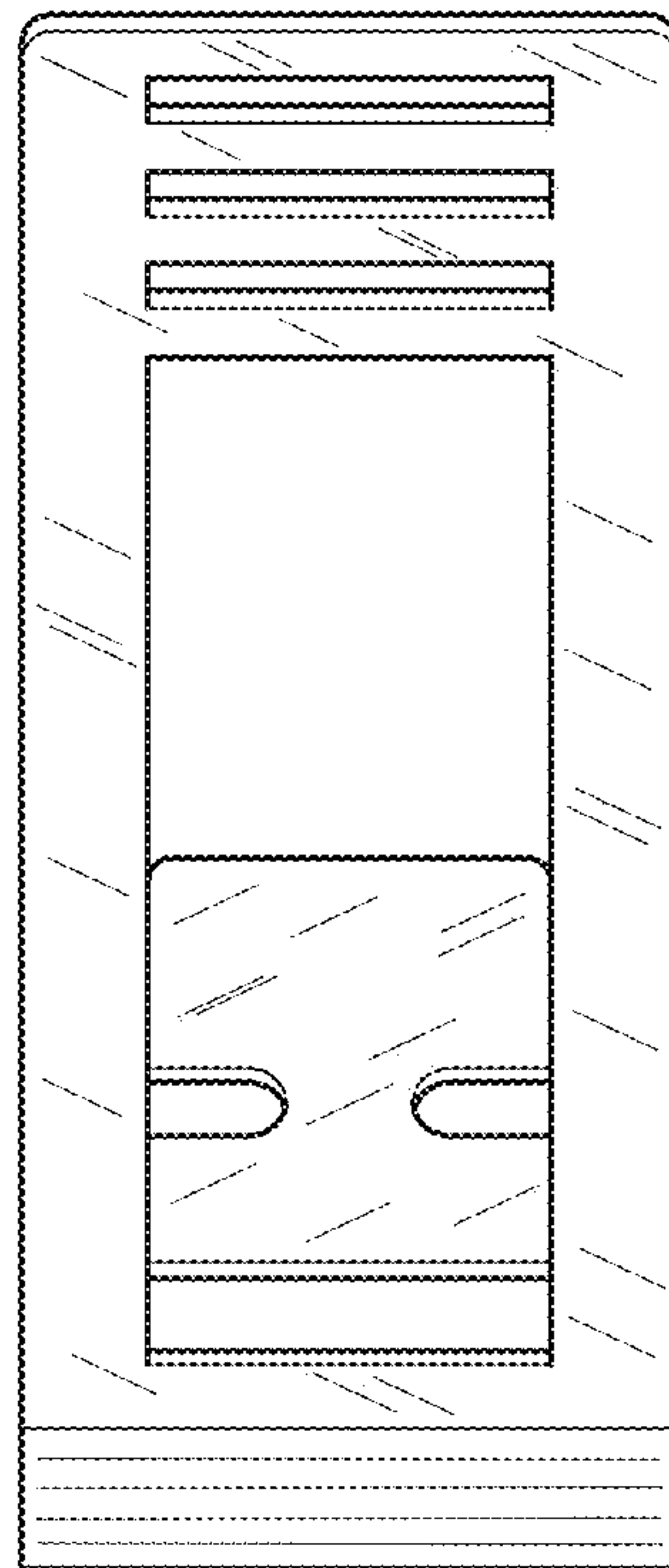


FIG. 4

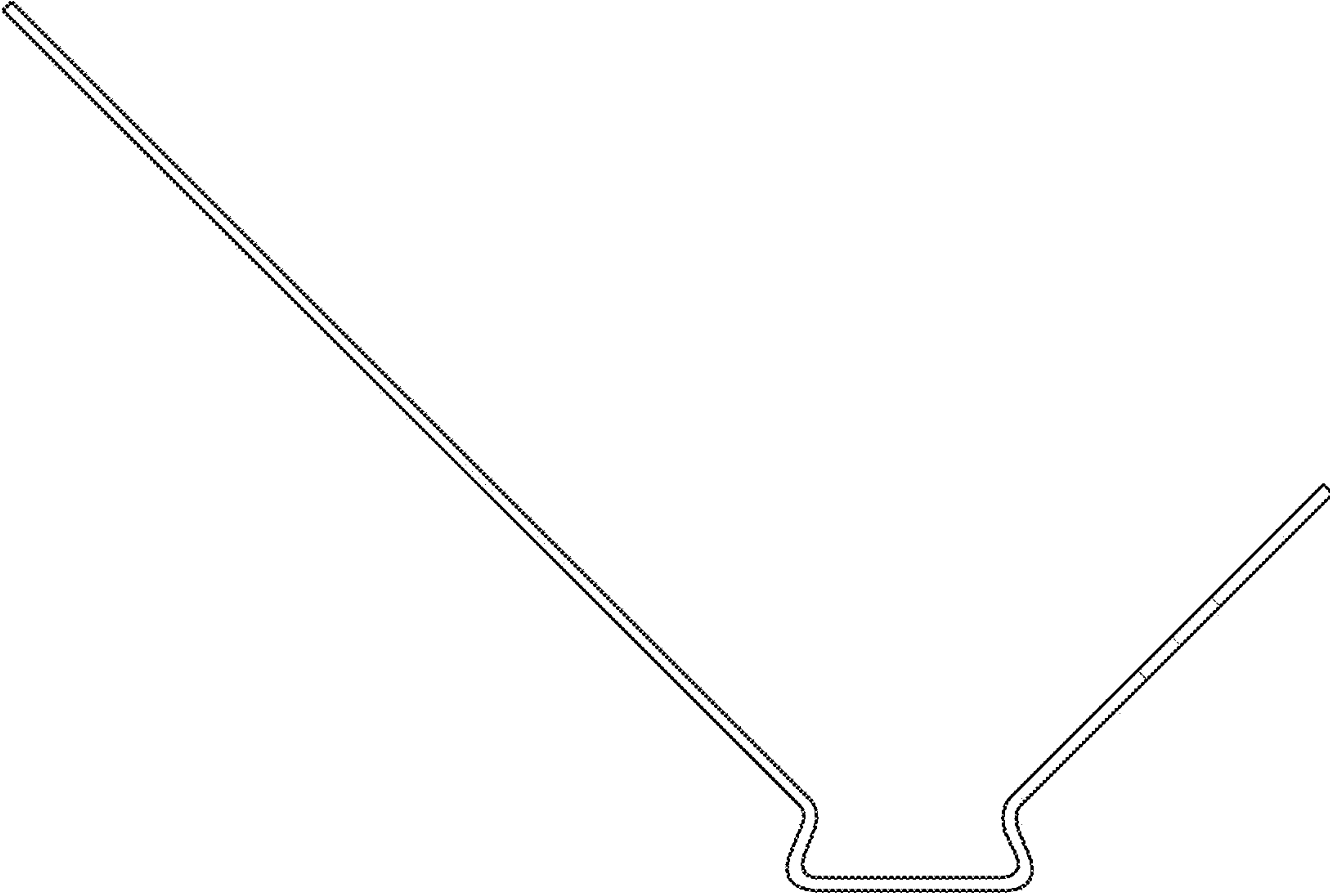


FIG. 5

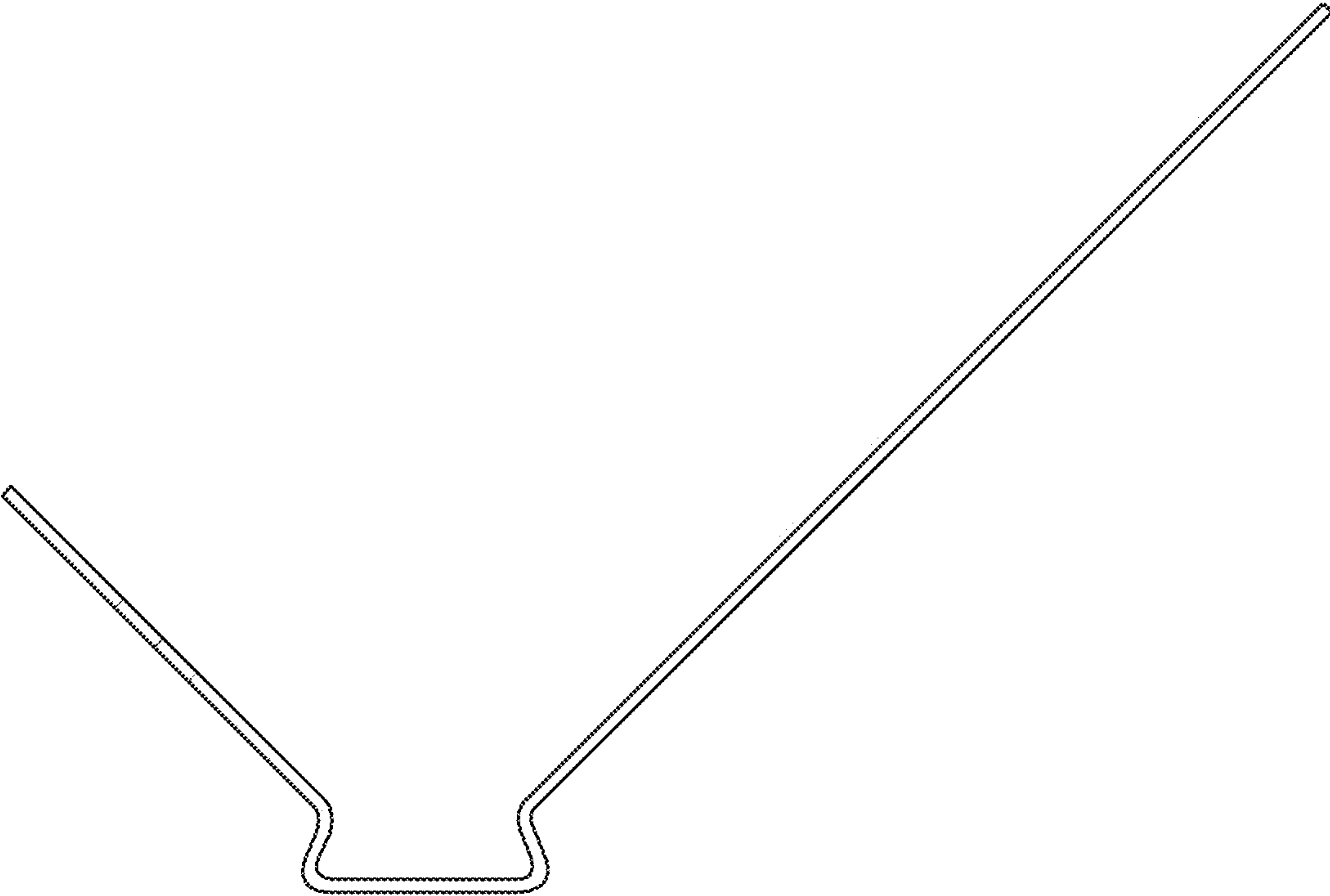


FIG. 6

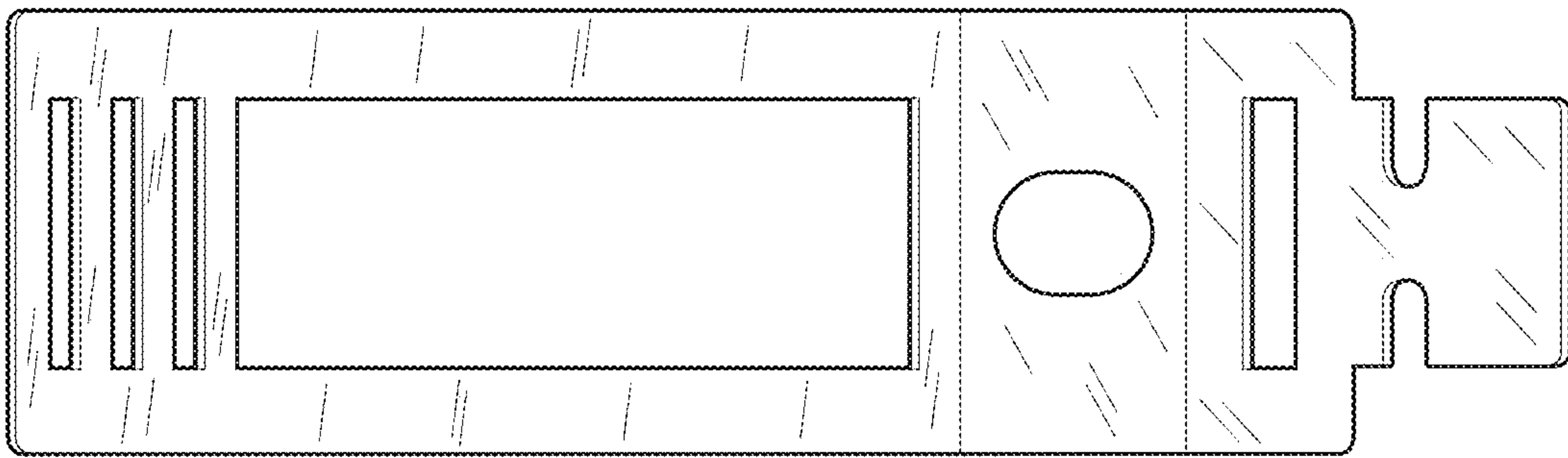


FIG. 7

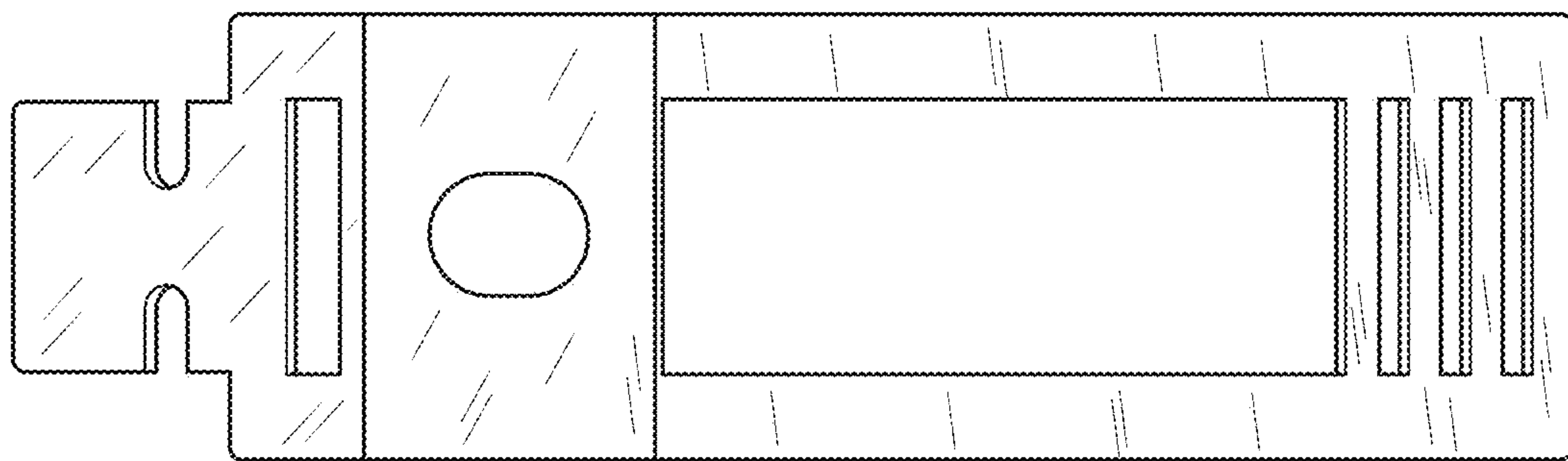


FIG. 8

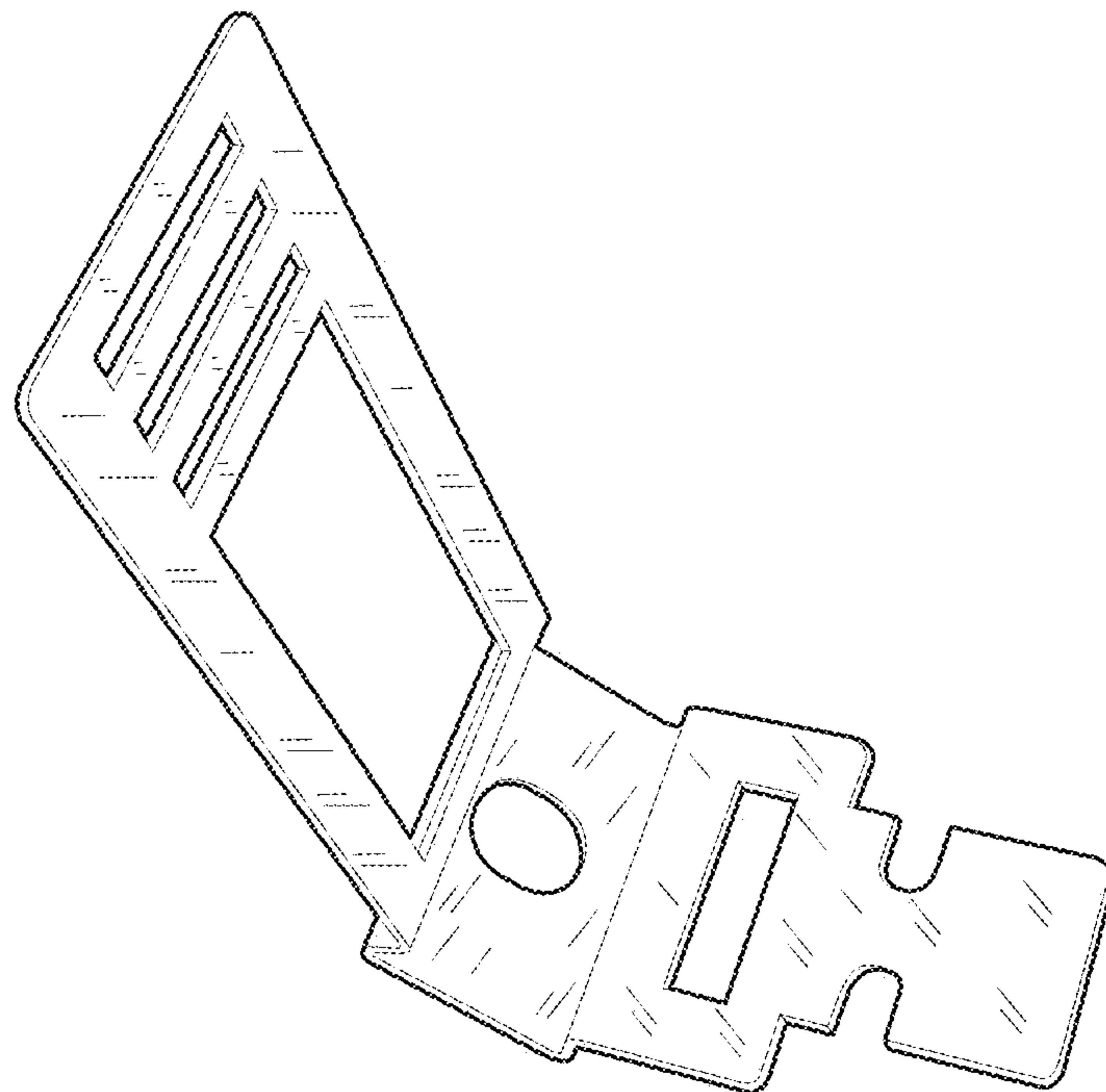


FIG. 9

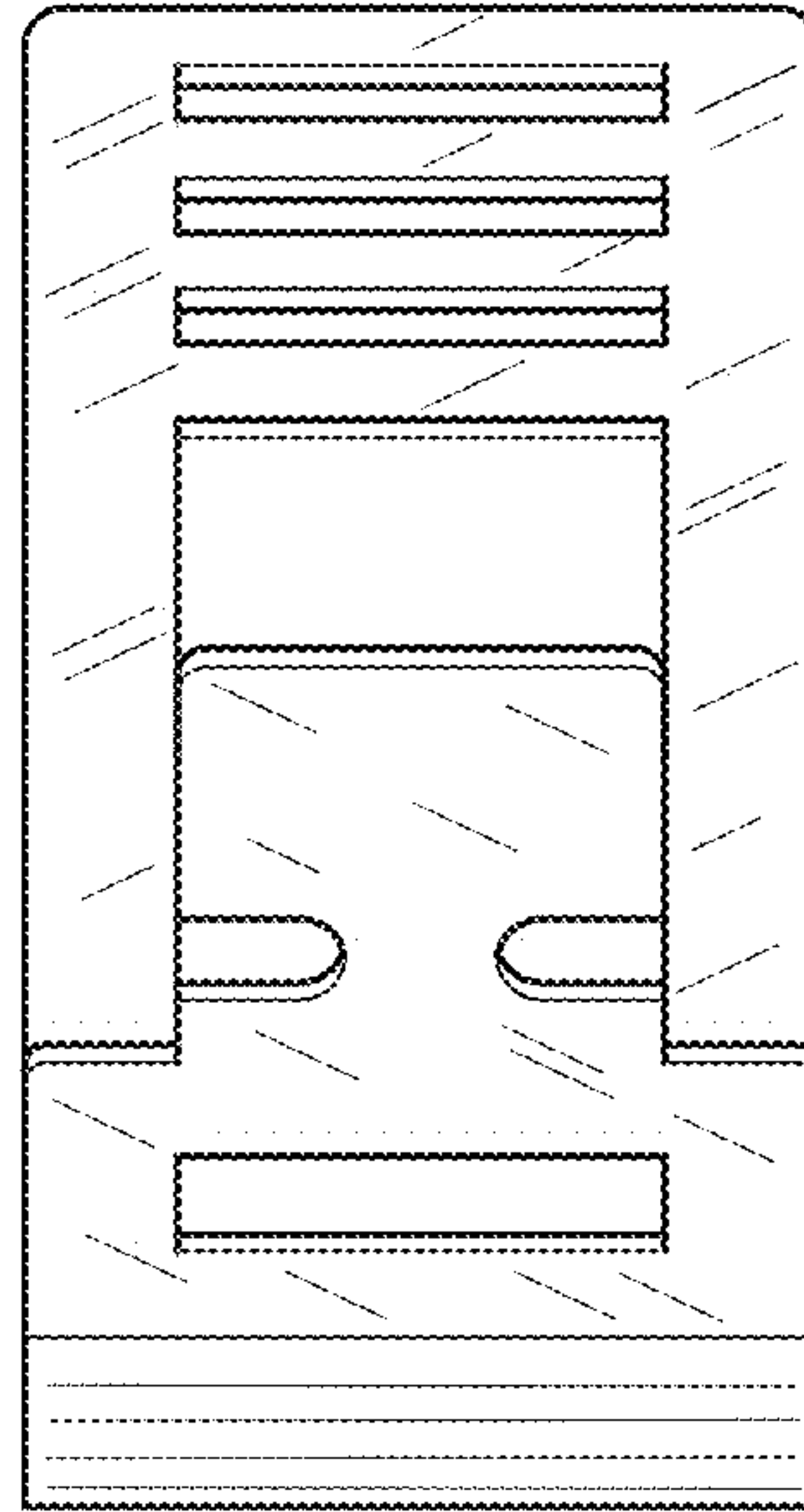


FIG. 10

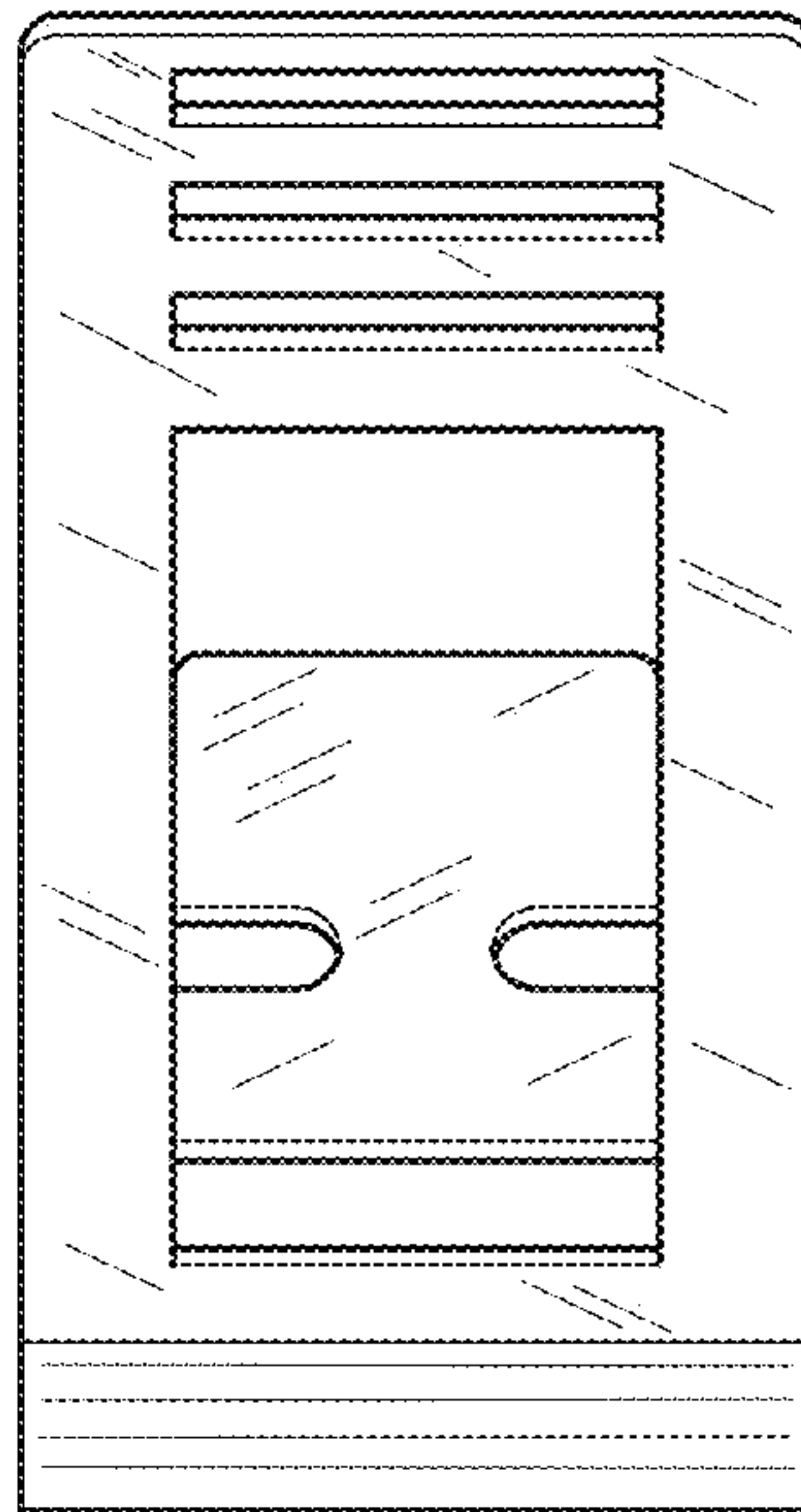


FIG. 11

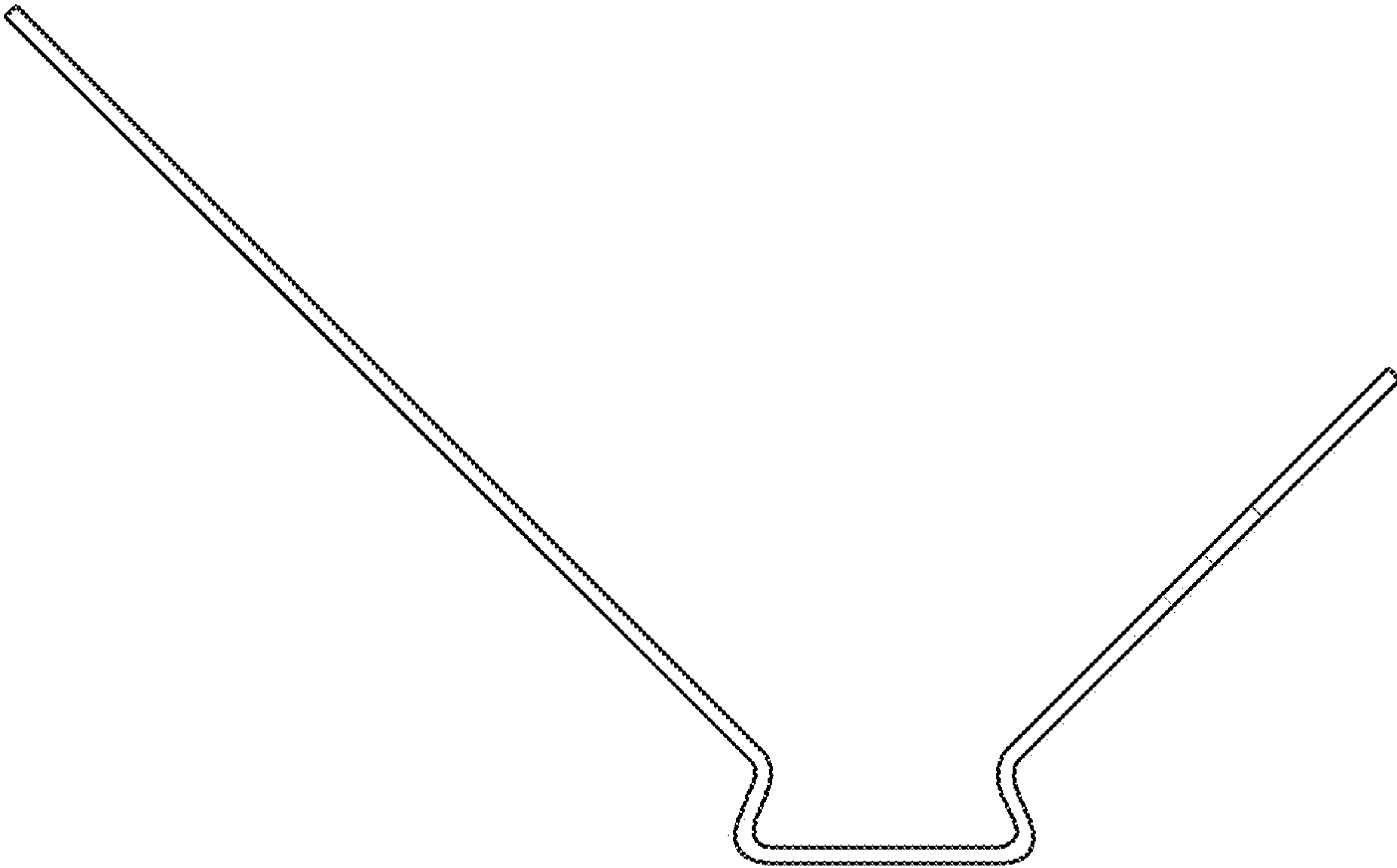


FIG. 12

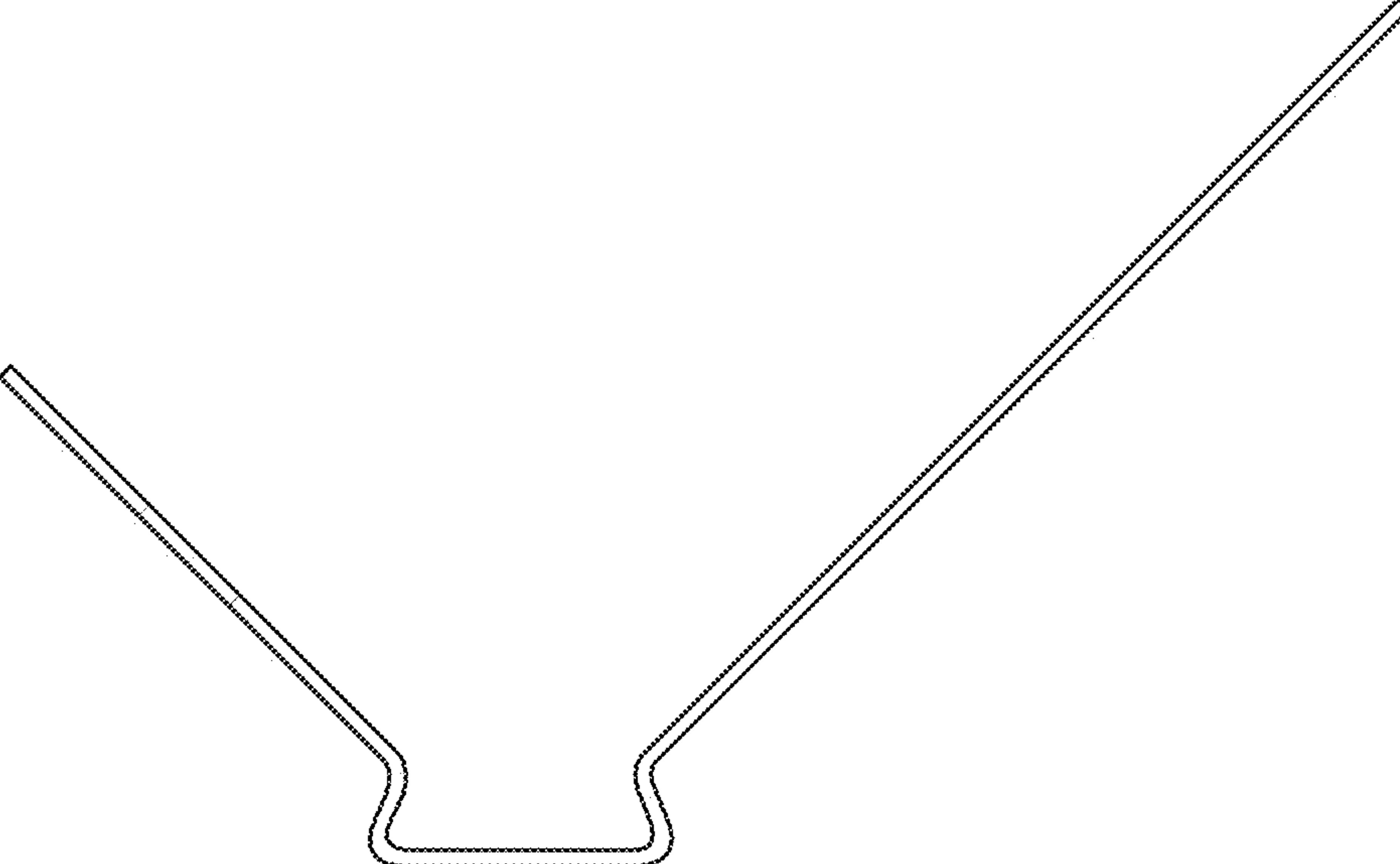


FIG. 13

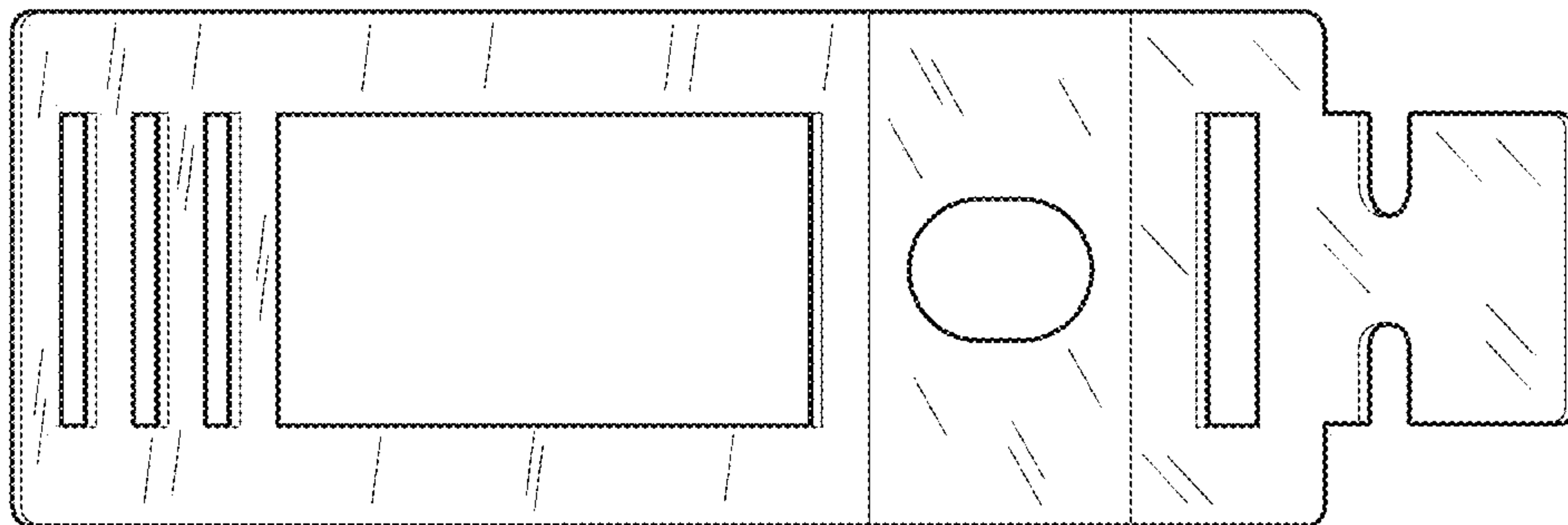


FIG. 14

