



US00D907467S

(12) **United States Design Patent**
Leitner

(10) **Patent No.:** **US D907,467 S**
(45) **Date of Patent:** **** Jan. 12, 2021**

(54) **SPACER FOR TILES IN BUILDING CONSTRUCTION**

(71) Applicant: **Franz Leitner**, Puchenau (AT)

(72) Inventor: **Franz Leitner**, Puchenau (AT)

(**) Term: **15 Years**

(21) Appl. No.: **35/507,702**

(22) Filed: **May 21, 2019**

(80) **Hague Agreement Data**
 Int. Filing Date: **May 21, 2019**
 Int. Reg. No.: **DM/203767**
 Int. Reg. Date: **May 21, 2019**
 Int. Reg. Pub. Date: **Nov. 8, 2019**

(51) **LOC (13) Cl.** **08-05**

(52) **U.S. Cl.**
 USPC **D8/354**

(58) **Field of Classification Search**
 USPC D8/349, 354, 355, 363; D10/61, 64; D25/113, 199
 CPC E04F 15/02464; E04F 15/02494; E04F 15/02452; E04F 21/0092
 See application file for complete search history.

(56) **References Cited**

U.S. PATENT DOCUMENTS

5,564,669 A * 10/1996 Wu A47B 81/065
 248/346.01

D435,430 S * 12/2000 Valentz E04F 15/02183
 D8/349

6,363,685 B1 * 4/2002 Kugler E04F 15/02183
 52/126.6

6,520,471 B2 * 2/2003 Jones E01C 5/223
 248/346.3

7,140,156 B1 * 11/2006 Lowe, Jr. E04F 15/02183
 52/263

D557,830 S * 12/2007 Lee A47B 81/065
 D25/199

D644,404 S * 8/2011 Lee D34/35

D695,591 S * 12/2013 Ackerman D8/349

D700,501 S * 3/2014 Ackerman D8/349

D702,104 S * 4/2014 Butler D8/349

9,410,296 B2 * 8/2016 Tabibnia F24D 3/142

D775,933 S * 1/2017 Hill F16L 3/04
 D8/354

D775,934 S * 1/2017 Hill E04F 15/02482
 D8/354

D826,906 S * 8/2018 Lasnier de Lavalette
 B25B 23/00
 D14/224

D857,482 S * 8/2019 Li D8/354

D861,197 S * 9/2019 Lee D25/199

D880,985 S * 4/2020 Schluter D8/354

D880,986 S * 4/2020 Lee D8/354

D880,987 S * 4/2020 Lee D8/355

D883,070 S * 5/2020 Zhang D8/349

D889,939 S * 7/2020 Bordin D8/354

2009/0199494 A1 * 8/2009 Lee B25B 23/00
 52/126.6

2010/0058679 A1 * 3/2010 Greaves E04D 12/006
 52/126.6

2011/0192941 A1 * 8/2011 Lalancette F16L 3/04
 248/70

2013/0219809 A1 * 8/2013 Tabibnia E04F 15/02482
 52/126.6

(Continued)

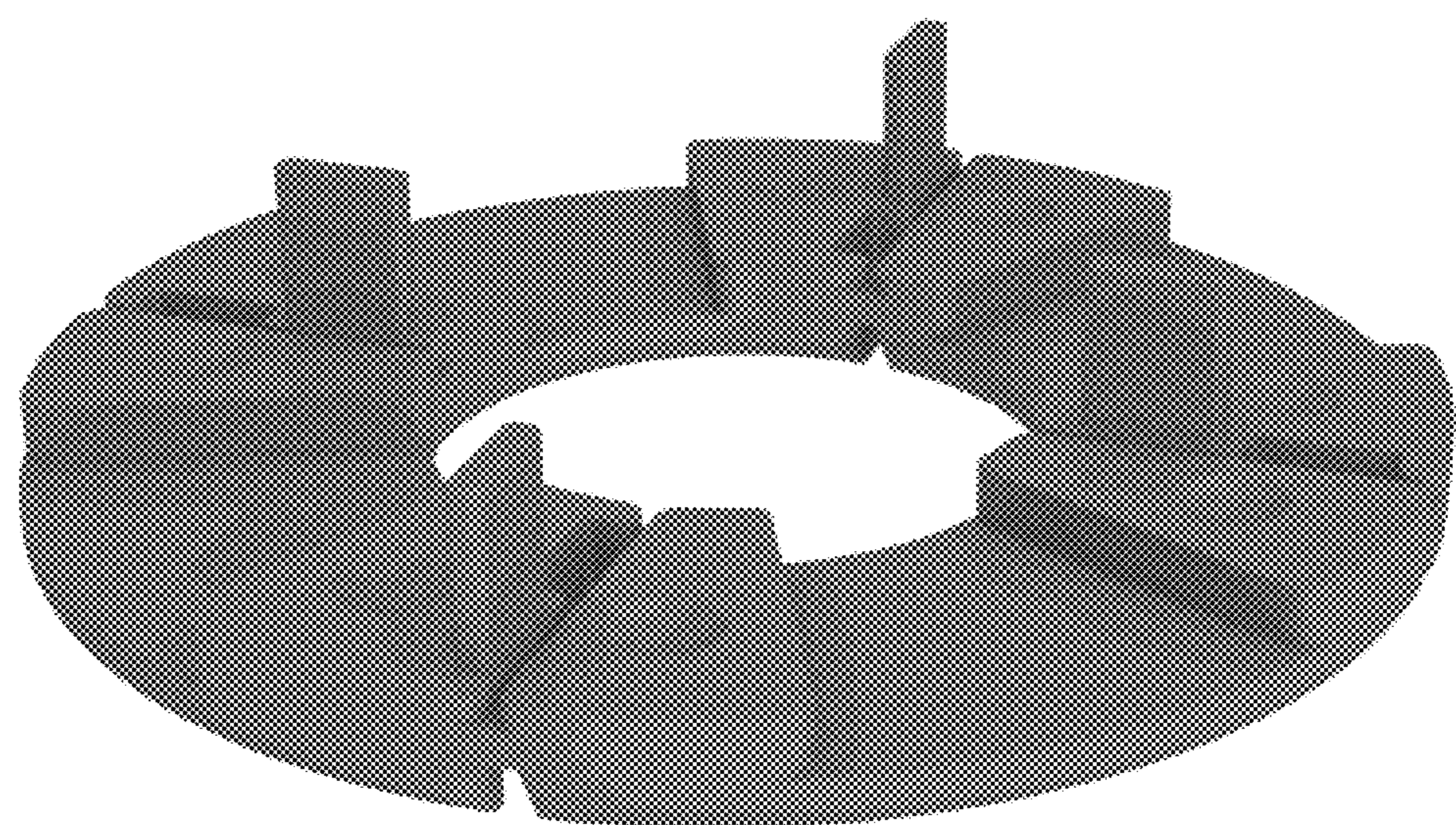
Primary Examiner — Robert M. Spear
(74) *Attorney, Agent, or Firm* — Collard & Roe, P.C.

(57) **CLAIM**
The ornamental design for spacer for tiles in building construction, as shown and described.

DESCRIPTION

- 1.-4. Spacer for tiles in building construction
- 1.1 : Top
- 1.2 : Front
- 1.3 : Perspective
- 1.4 : Perspective

1 Claim, 4 Drawing Sheets



(56)

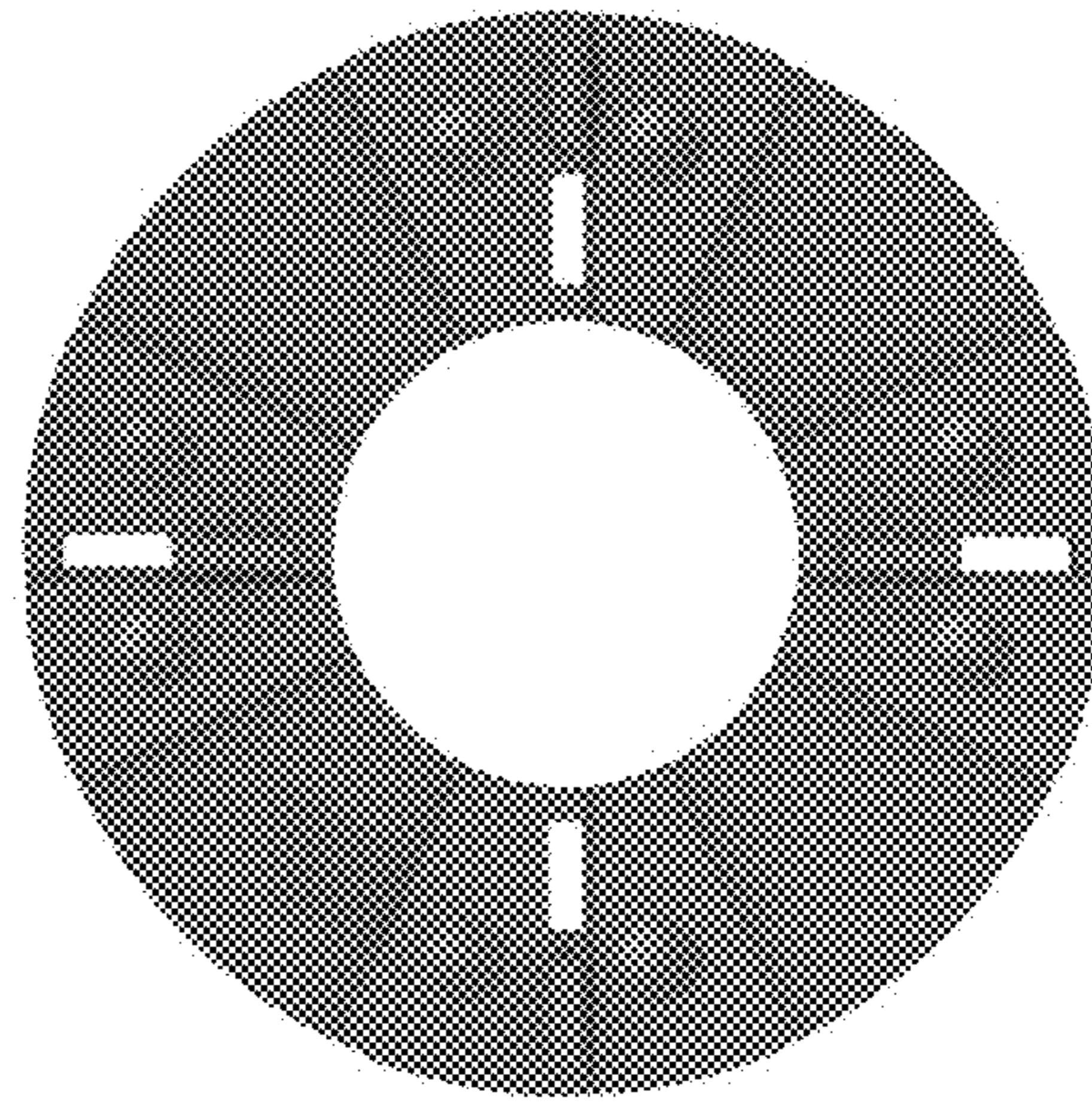
References Cited

U.S. PATENT DOCUMENTS

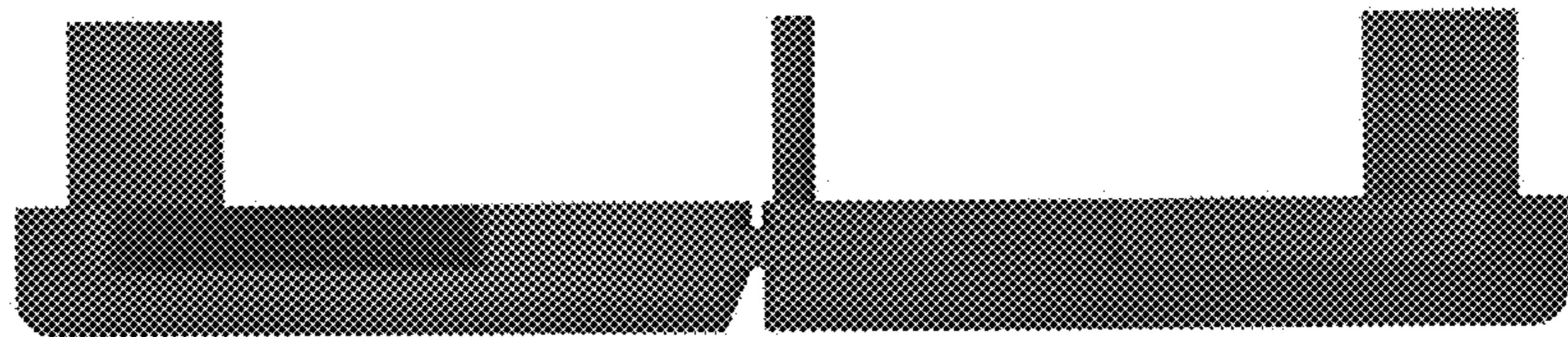
2014/0308076 A1* 10/2014 Tabibnia E01C 5/00
404/99
2016/0244979 A1* 8/2016 Greaves E04F 15/02476
2017/0152635 A1* 6/2017 Tabibnia E04F 15/02447

* cited by examiner

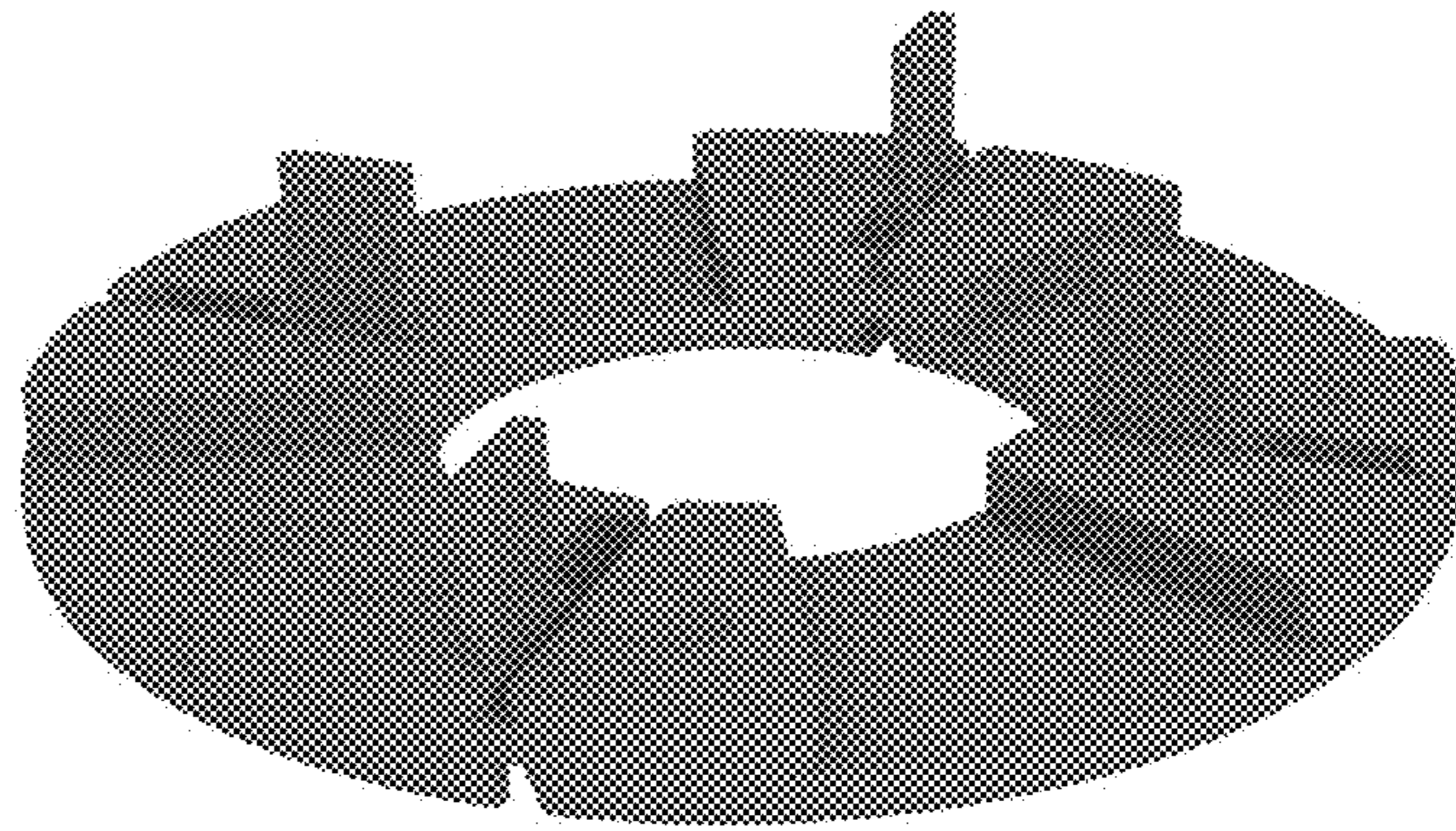
1.1



1.2



1.3



1.4

