



US00D907466S

(12) **United States Design Patent**
Loftus

(10) **Patent No.:** **US D907,466 S**
(45) **Date of Patent:** **** Jan. 12, 2021**

- (54) **ANTI-IMPALEMENT DEVICE**
- (71) Applicant: **Casey Loftus**, St. Petersburg, FL (US)
- (72) Inventor: **Casey Loftus**, St. Petersburg, FL (US)
- (**) Term: **15 Years**
- (21) Appl. No.: **29/700,702**
- (22) Filed: **Aug. 5, 2019**
- (51) **LOC (13) Cl.** **08-05**
- (52) **U.S. Cl.**
USPC **D8/354**
- (58) **Field of Classification Search**
USPC D8/307, 310, 313, 316, 317, 321, 322,
D8/349, 354, 355, 356, 380
CPC E04G 21/32; E04C 5/161
See application file for complete search history.

(56) **References Cited**

U.S. PATENT DOCUMENTS

5,381,636	A *	1/1995	Kassardjian	B29C 45/14065
					138/96 R
D363,657	S *	10/1995	Kassardjian	D8/354
5,729,941	A *	3/1998	Kassardjian	E04C 5/161
					248/523
5,943,836	A *	8/1999	Kassardjian	E04G 21/32
					248/523
5,946,871	A *	9/1999	Kassardjian	B29C 45/14065
					138/96 R
6,085,478	A *	7/2000	Workman	B65D 59/06
					52/301
6,649,825	B2 *	11/2003	Rapp	H02G 13/00
					174/2
6,662,514	B2 *	12/2003	Workman	E04C 5/02
					256/DIG. 6
D579,303	S *	10/2008	Schneider	D8/307
7,716,898	B1 *	5/2010	Dunn	E04G 21/3252
					52/689
D643,276	S *	8/2011	Roe	D8/307

8,141,309	B2 *	3/2012	Kubicek	E04G 21/32
					52/301
D716,636	S *	11/2014	McDonald	D8/354
D716,637	S *	11/2014	McDonald	D8/354
8,973,323	B1 *	3/2015	McDonald	E04C 5/161
					52/301
D756,200	S *	5/2016	McDonald	D8/354

(Continued)

Primary Examiner — Keli L Hill

Assistant Examiner — Harold E Blackwell, II

(74) *Attorney, Agent, or Firm* — Larson & Larson, P.A.;
Frank Liebenow; Justin P. Miller

(57) **CLAIM**

The ornamental design for an anti-impalement device, as shown and described.

DESCRIPTION

FIG. 1 is a top perspective view of an anti-impalement device showing my new design having indeterminate length and width;

FIG. 2 is a bottom perspective view thereof;

FIG. 3 is a left side elevation view thereof; the right side being a mirror image thereof;

FIG. 4 is a front elevation view thereof; the rear being a mirror image thereof;

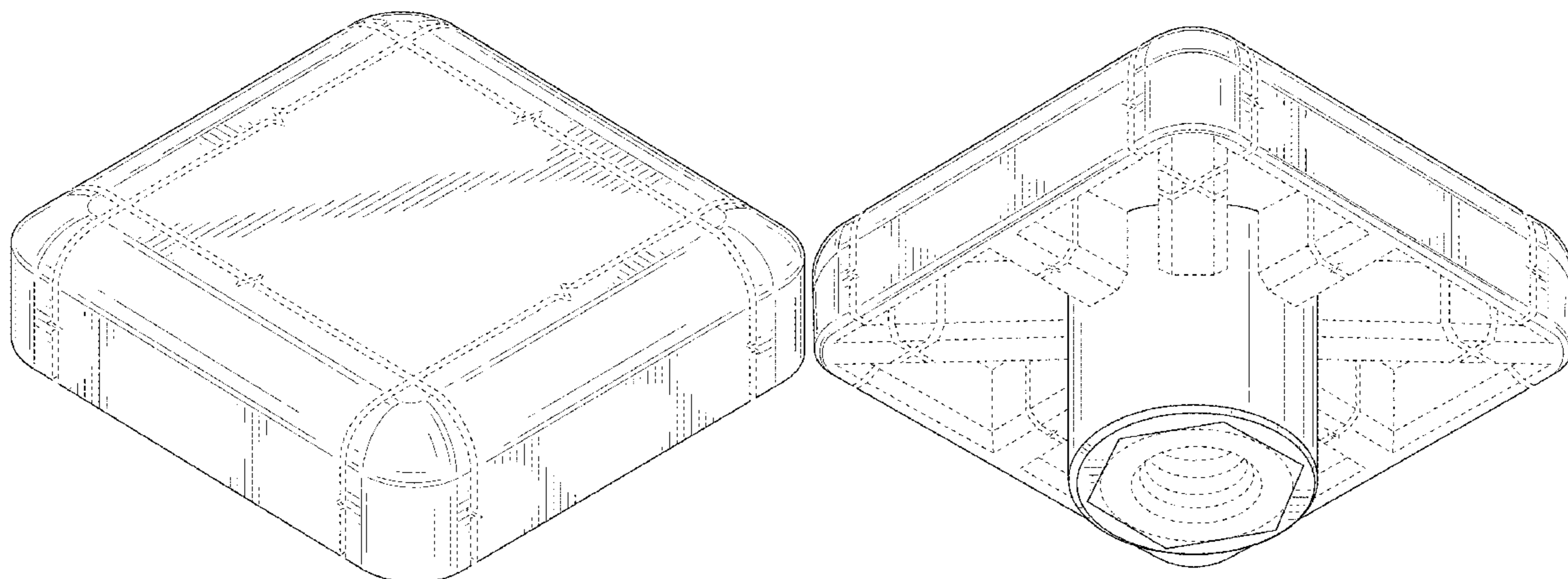
FIG. 5 is a top plan view thereof;

FIG. 6 is a bottom plan view thereof;

FIG. 7 is a cross section taken along lines 7-7 of FIG. 5; and, FIG. 8 shows a bottom perspective view of an anti-impalement device shown in an environment.

The broken lines illustrate portions of the anti-impalement device that form no part of the claimed design as well as symbolic break lines. The broken lines in FIG. 8 also depict environment that forms no part of the claimed design. The anti-impalement device is shown with a symbolic break in its length. The appearance of any portion of the article between the break lines forms no part of the claimed design.

1 Claim, 7 Drawing Sheets



(56)

References Cited

U.S. PATENT DOCUMENTS

D762,458 S *	8/2016	Horne	D8/354
D779,929 S *	2/2017	Matus, Jr.	D8/382
D801,792 S *	11/2017	Hunt	D8/376
D833,249 S *	11/2018	Lowe	D8/307
D833,250 S *	11/2018	Lowe	D8/307
2008/0168726 A1 *	7/2008	Yang	E04G 21/32 52/301

* cited by examiner

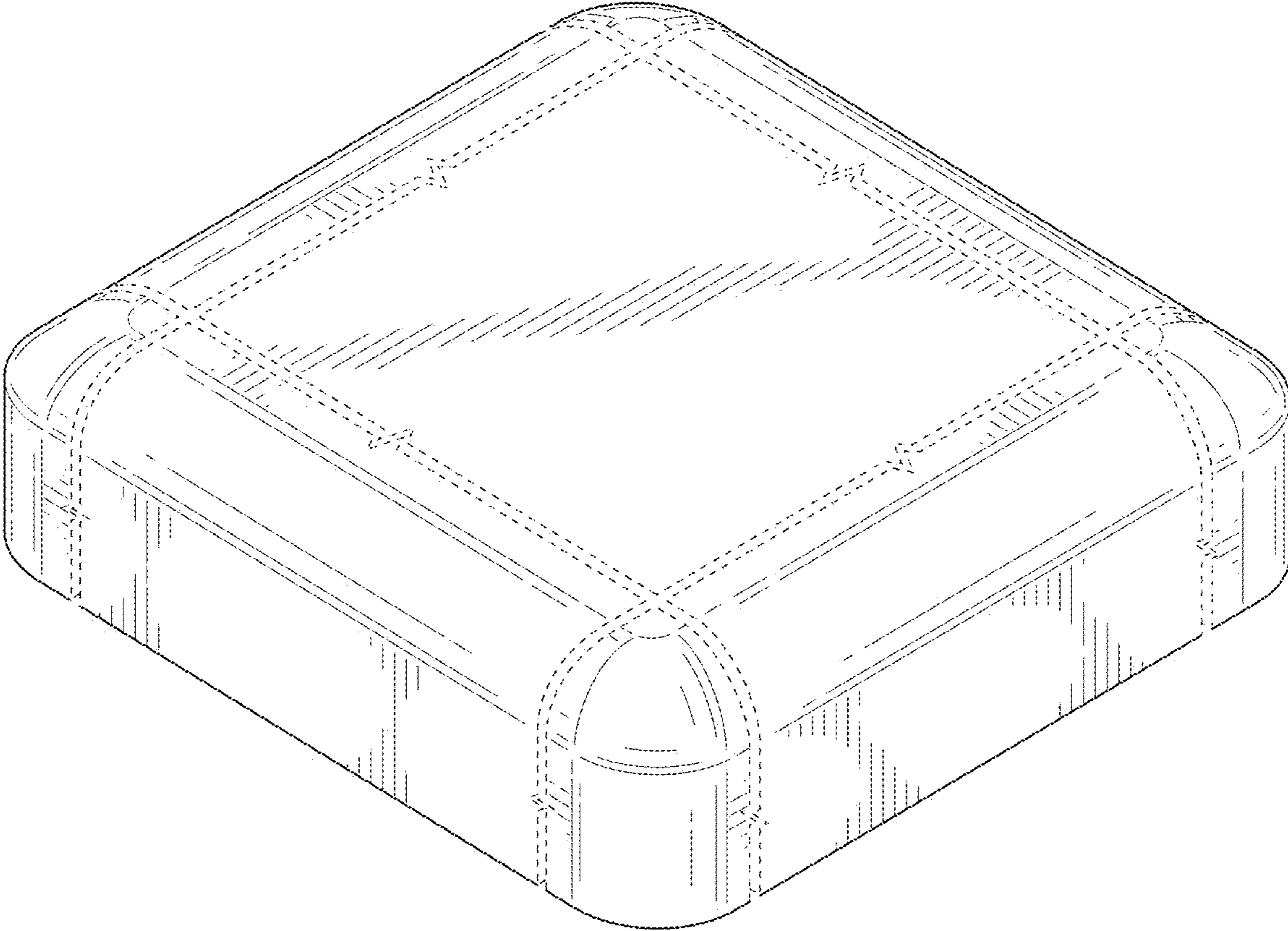


FIG. 1

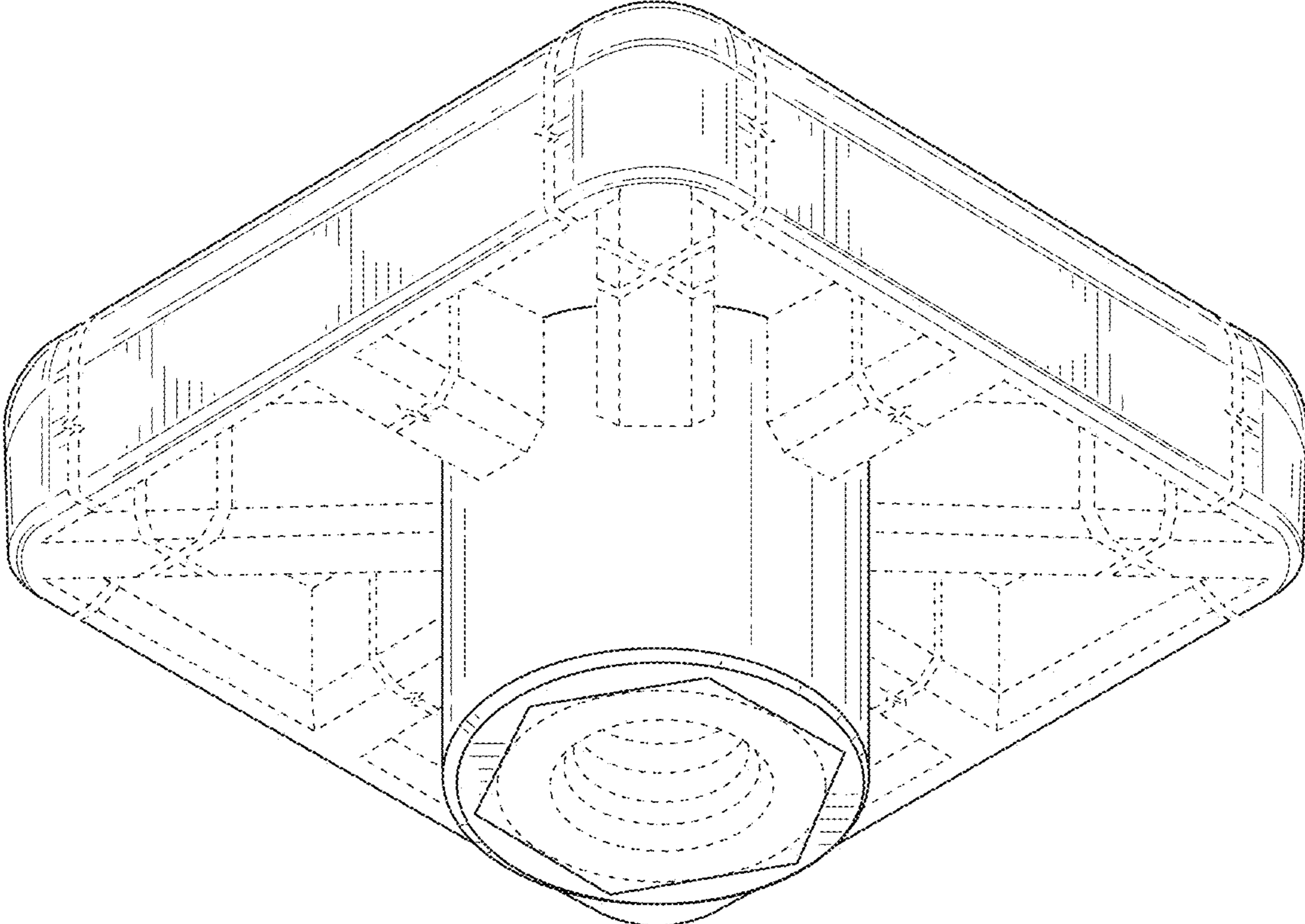


FIG. 2

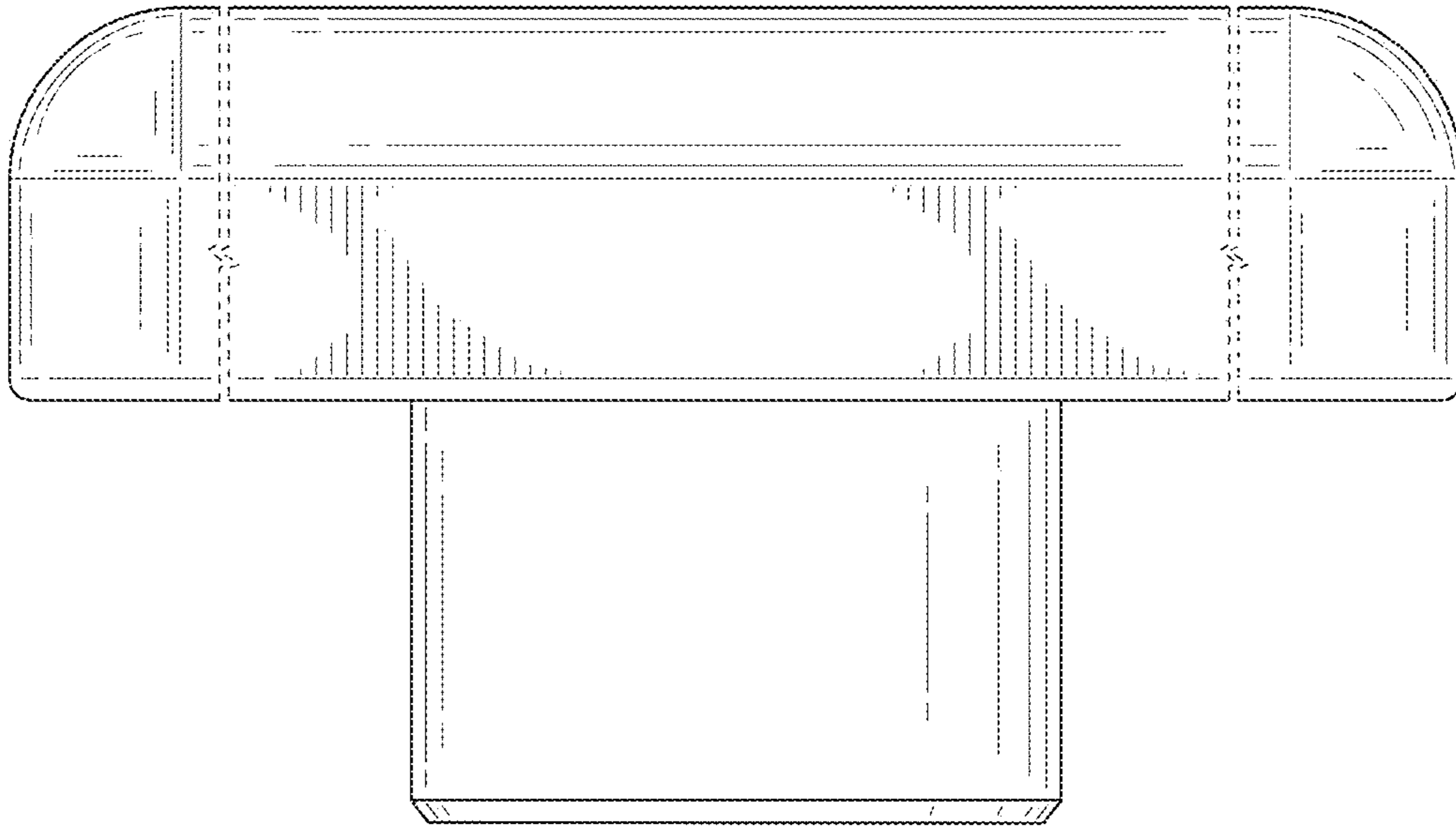


FIG. 3

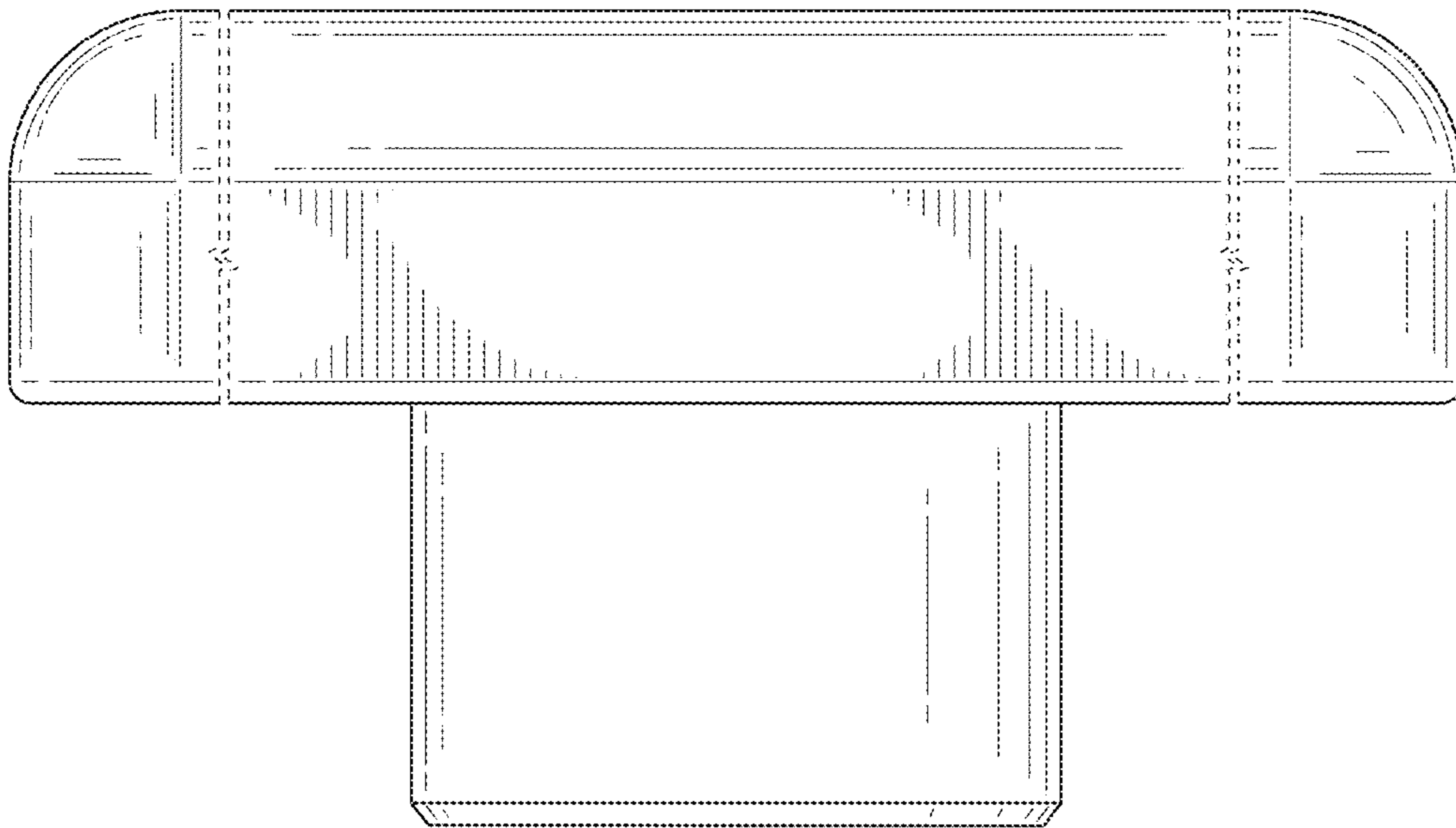


FIG. 4

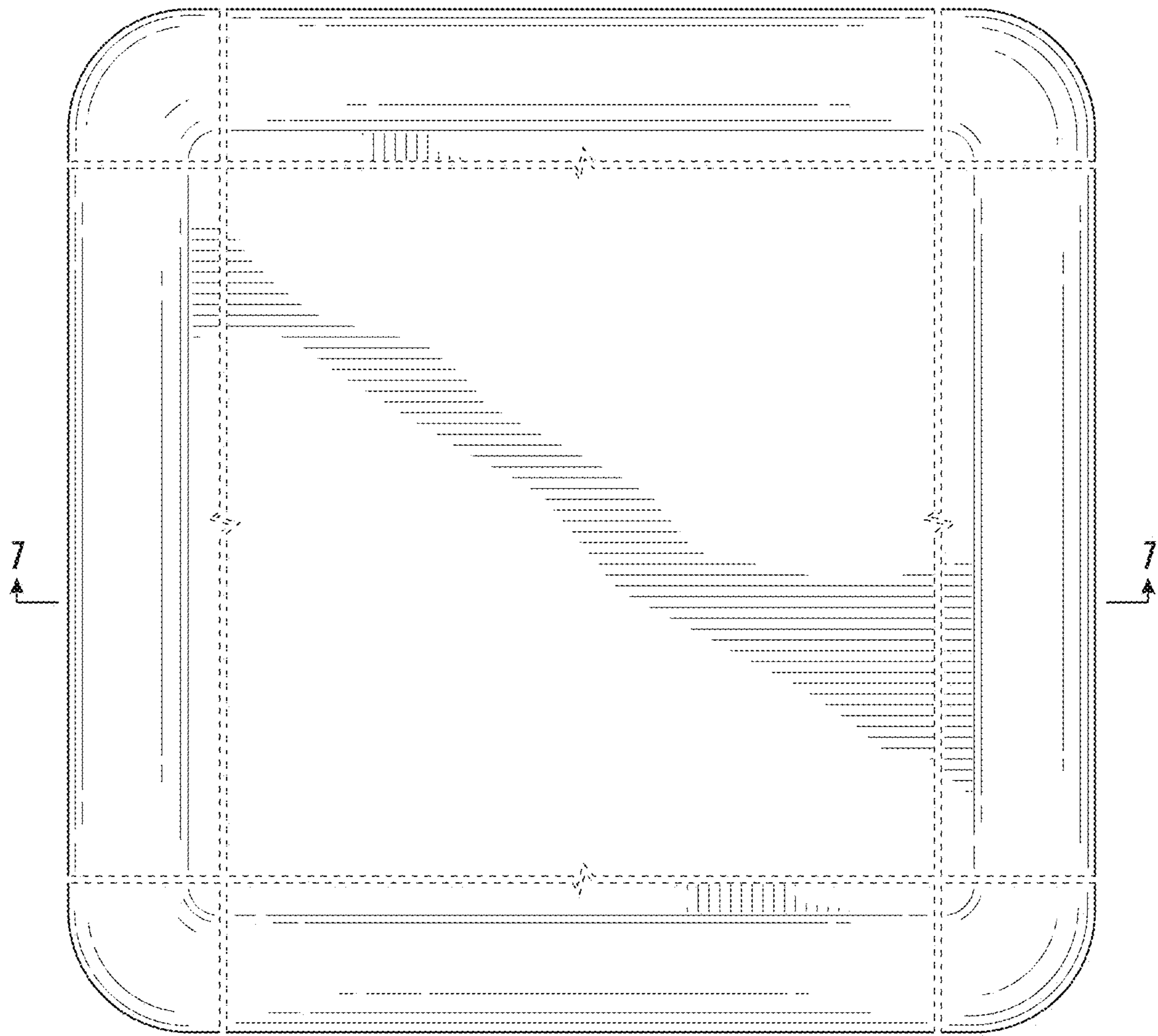


FIG. 5

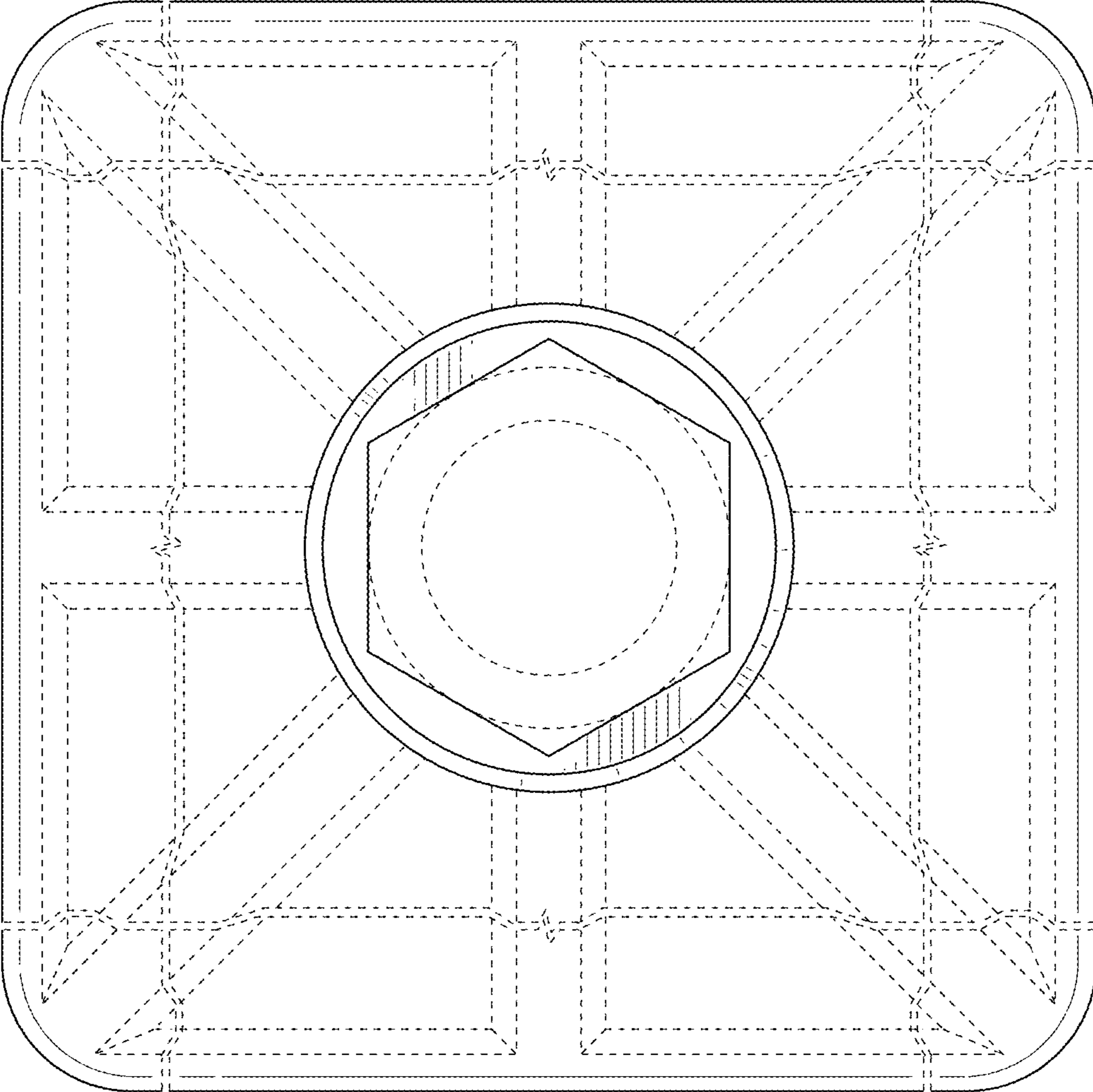


FIG. 6

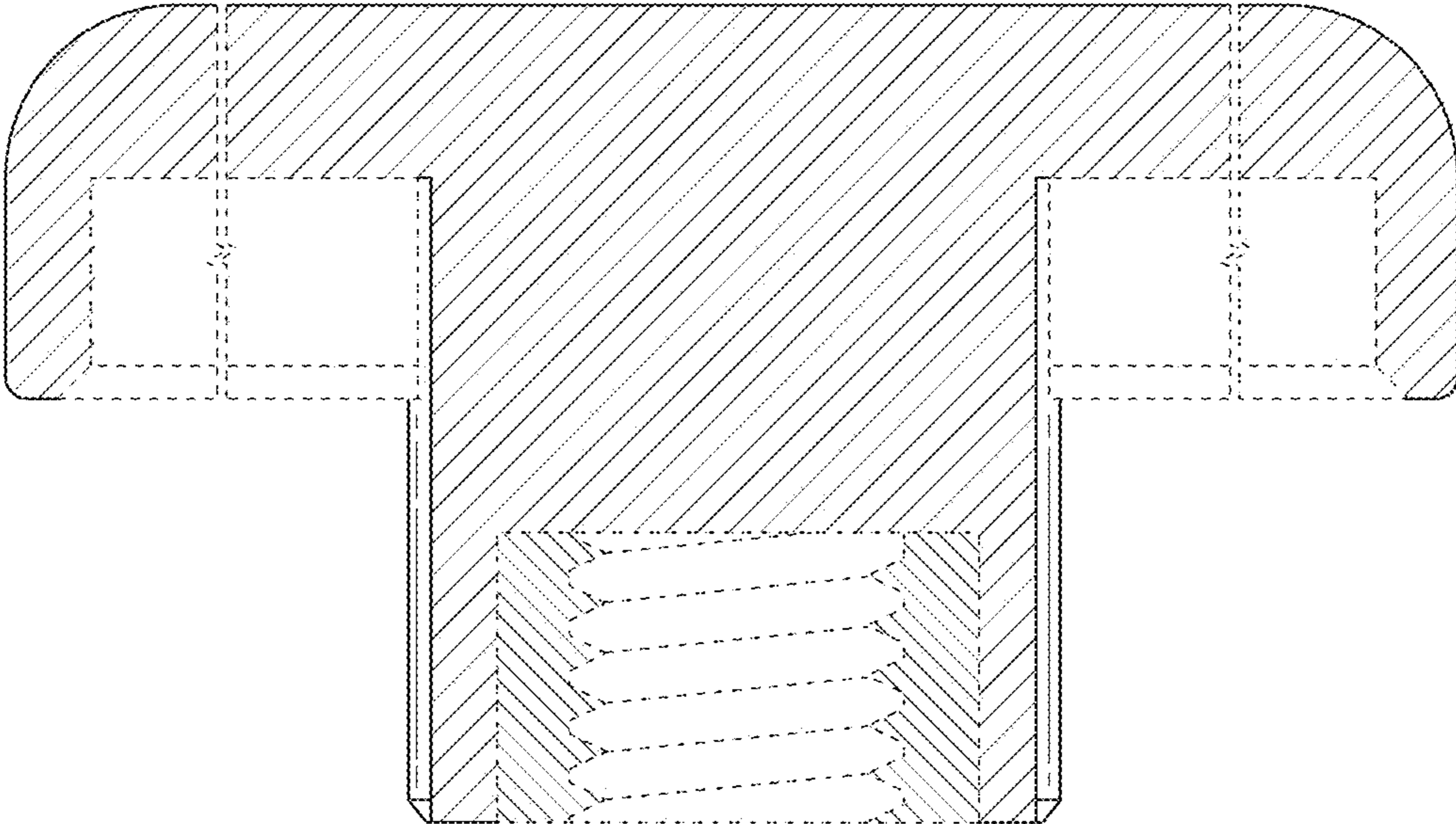


FIG. 7

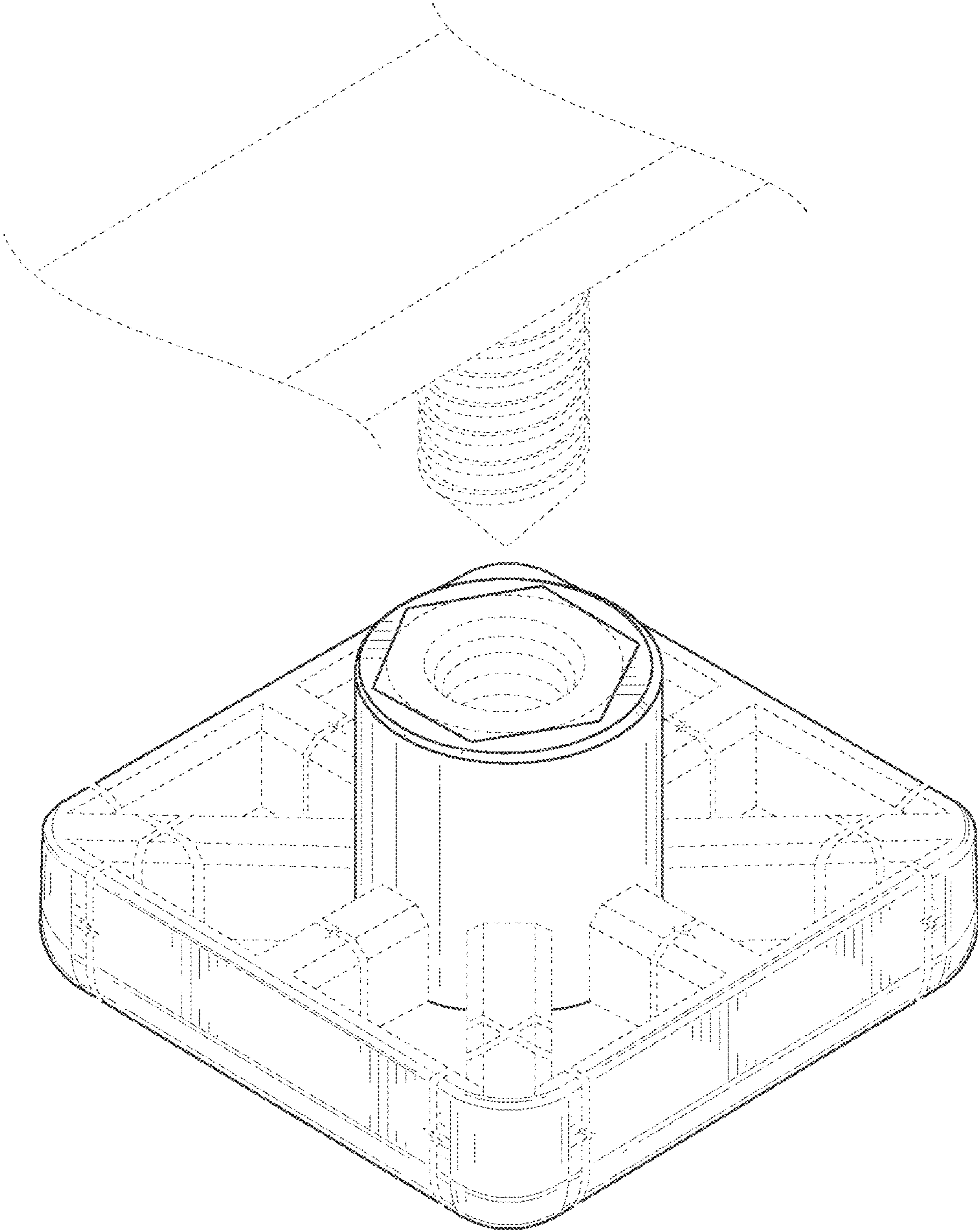


FIG. 8