



US00D907465S

(12) **United States Design Patent** (10) **Patent No.:** **US D907,465 S**
Buse (45) **Date of Patent:** **** Jan. 12, 2021**

(54) **SERPENTINE RETAINER SPRING FOR A RECEPTACLE RACK**

(71) Applicant: **Gen-Probe Incorporated**, San Diego, CA (US)

(72) Inventor: **David Aaron Buse**, San Diego, CA (US)

(73) Assignee: **GEN-PROBE INCORPORATED**, San Diego, CA (US)

(**) Term: **15 Years**

(21) Appl. No.: **29/682,739**

(22) Filed: **Mar. 7, 2019**

(51) **LOC (13) Cl.** **08-05**

(52) **U.S. Cl.**
USPC **D8/354**

(58) **Field of Classification Search**
USPC D8/354
CPC F16F 1/02
See application file for complete search history.

(56) **References Cited**

U.S. PATENT DOCUMENTS

345,767	A *	7/1886	Buckley	F16F 1/02
					267/163
2,517,269	A *	8/1950	Wolfe	B21F 45/00
					267/182
3,713,771	A	1/1973	Taylor et al.		
4,450,839	A *	5/1984	Transue	A61B 17/128
					606/143
4,877,134	A	10/1989	Klein		
4,919,403	A *	4/1990	Bartholomew	B60G 11/00
					188/371
5,160,121	A *	11/1992	Bartholomew	F16F 1/371
					267/136
5,197,698	A *	3/1993	Bartholomew	B60K 13/04
					180/309
5,700,429	A	12/1997	Bühler et al.		
5,885,530	A	3/1999	Babson et al.		

(Continued)

FOREIGN PATENT DOCUMENTS

CN 205819256 U 12/2016
EP 2148208 A2 1/2010

(Continued)

OTHER PUBLICATIONS

Molex Connector Accessory Terminal Position Assurance Retainer, posted at newark.com, posting date not given, [online], [site visited Aug. 18, 2020]. Available from Internet, URL: <https://www.newark.com/molex/105325-1004/nanofit-tpa-v0-blk-4-ckt-rohs/dp/33AC7722> (Year: 2020).*

(Continued)

Primary Examiner — George D. Kirschbaum

Assistant Examiner — Maria J Edwards

(74) *Attorney, Agent, or Firm* — Richard Wydeven; Rothwell, Figg, Ernst & Manbeck, P.C.; Charles B. Cappellari

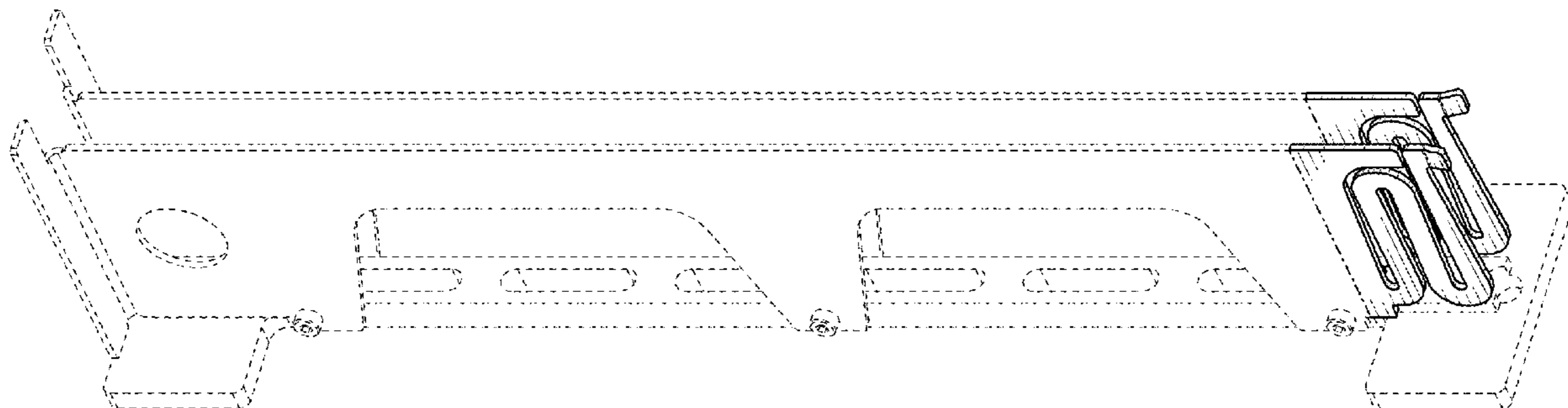
(57) **CLAIM**

The ornamental design for a serpentine retainer spring for a receptacle rack, as shown and described.

DESCRIPTION

FIG. 1 shows a top perspective view of the serpentine retainer spring for a receptacle rack. FIG. 2 shows a side elevation view thereof. FIG. 3 shows a right end elevation view thereof. FIG. 4 shows a top plan view thereof; and, FIG. 5 shows a bottom perspective view thereof. The dash-dash broken lines in the drawings depict environmental structure and form no part of the claimed design. The dash-dot broken lines show the boundary of the claim and form no part of the claimed design.

1 Claim, 3 Drawing Sheets



(56)

References Cited

U.S. PATENT DOCUMENTS

6,146,882	A	11/2000	Uematsu et al.
6,489,169	B1	12/2002	Cohen et al.
7,185,288	B2	2/2007	McKeever
8,216,511	B2	7/2012	Noguchi et al.
8,658,096	B2	2/2014	Kaiga
9,171,279	B2	10/2015	Hagen et al.
2005/0265901	A1	12/2005	Sinclair et al.
2007/0243600	A1	10/2007	Lair et al.
2018/0155129	A1	6/2018	Lagziel et al.

FOREIGN PATENT DOCUMENTS

WO	2012012779	A2	1/2012
WO	2013034937	A1	3/2013
WO	2013183122	A1	12/2013
WO	2018018065	A1	2/2018
WO	2018091818	A1	5/2018
WO	2018136859	A1	7/2018

OTHER PUBLICATIONS

Serpentine Spring, posted at made-in-china.com, posting date not given, [online], [site visited Aug. 18, 2020]. Available from Internet, URL: <https://www.made-in-china.com/showroom/xunda110/product-detailGvBQpyxJvYkc/China-Serpentine-Spring.html> (Year: 2020).*

Serpentine square wire wave spring, posted at globalsources.com, posting date not given, [online], [site visited Aug. 18, 2020]. Available from Internet, URL: <https://www.globalsources.com/Wave-spring/Wave-springs-1166522002p.htm#1166522002> (Year: 2020).*

PCT International Search Report and Written Opinion, PCT International Application No. PCT/US2020/021488, Sep. 22, 2020.

* cited by examiner

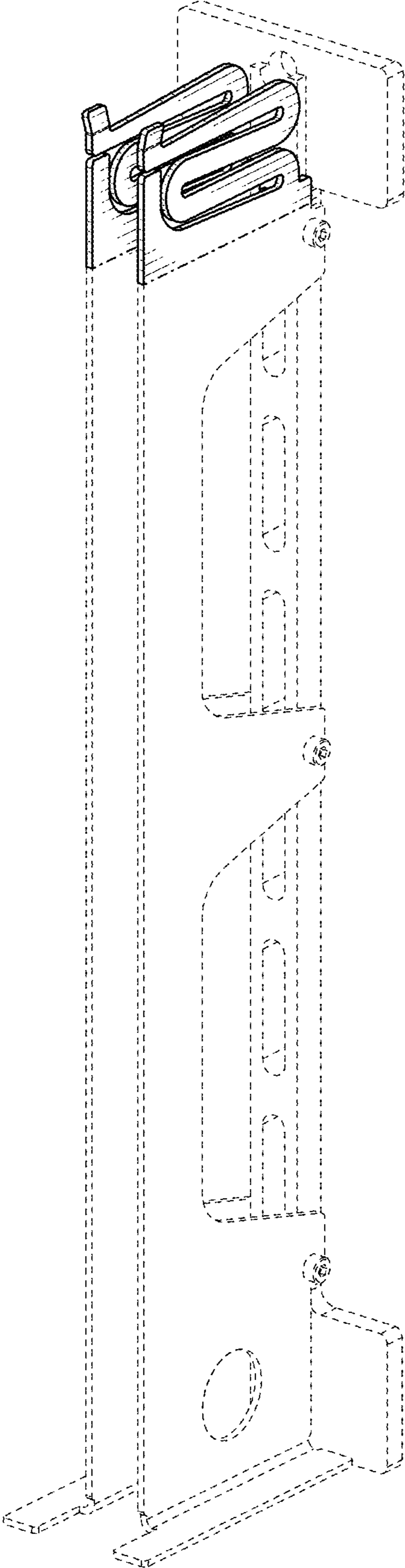


FIG. 1

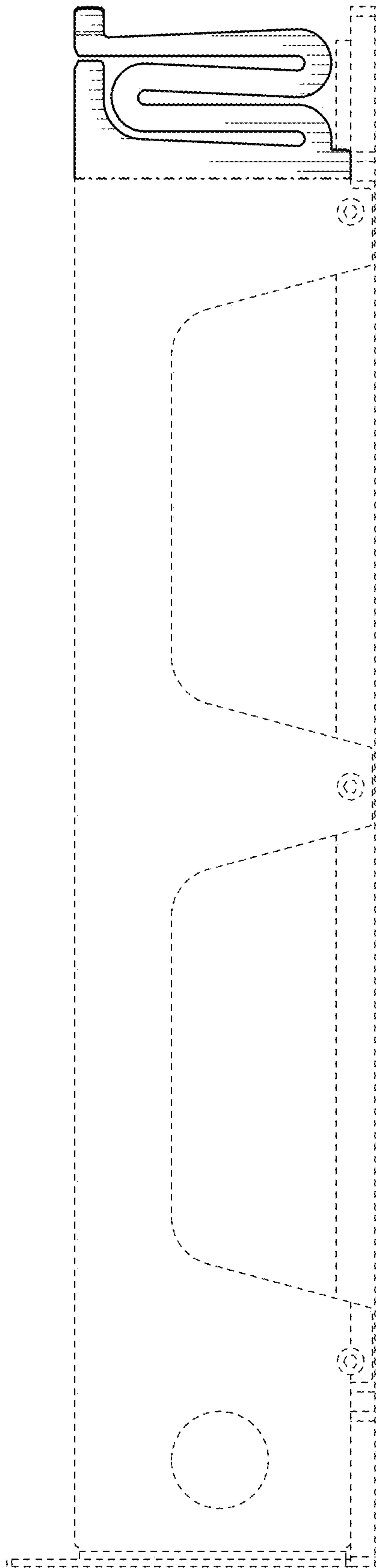


FIG. 2

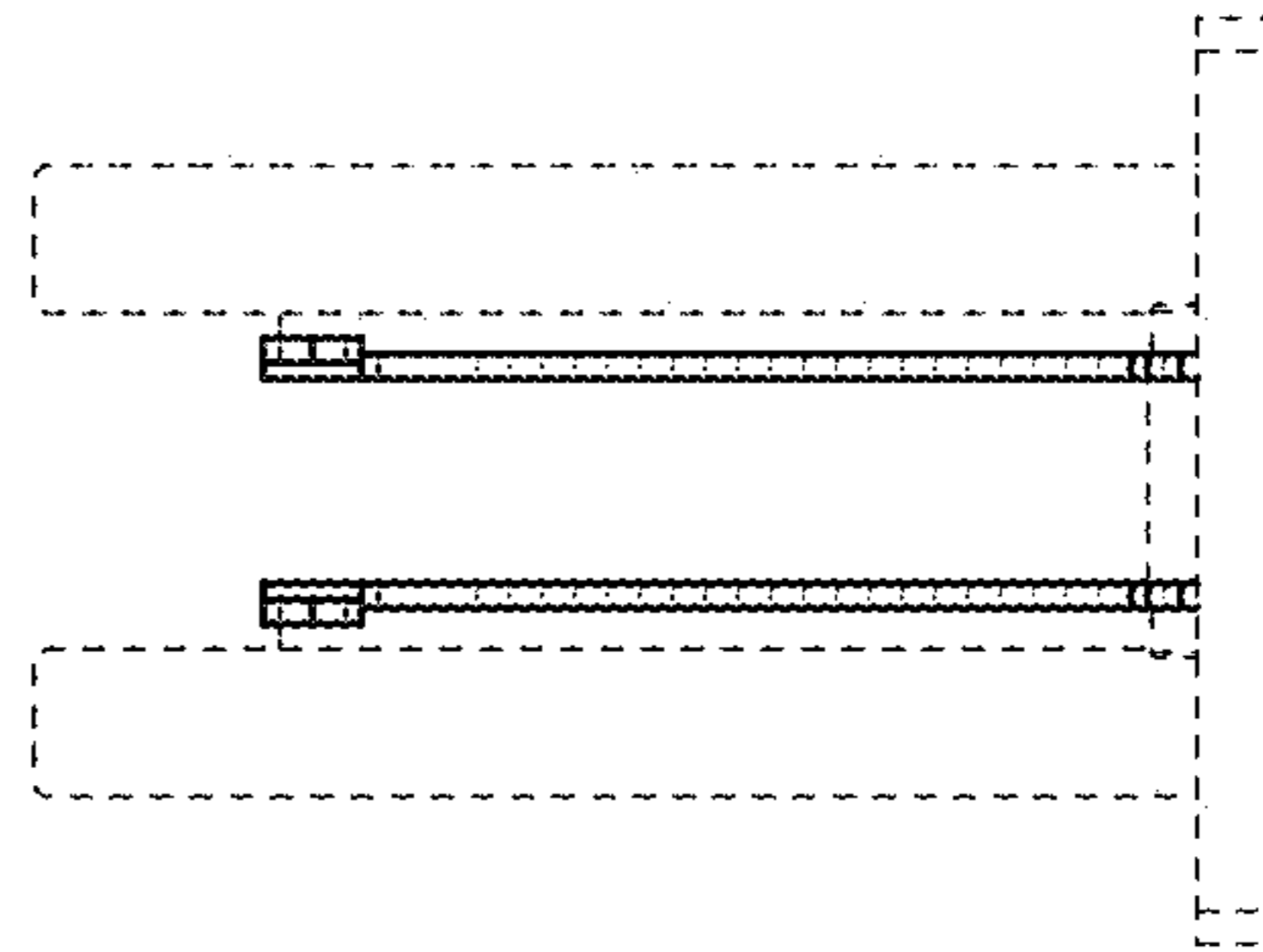


FIG. 3

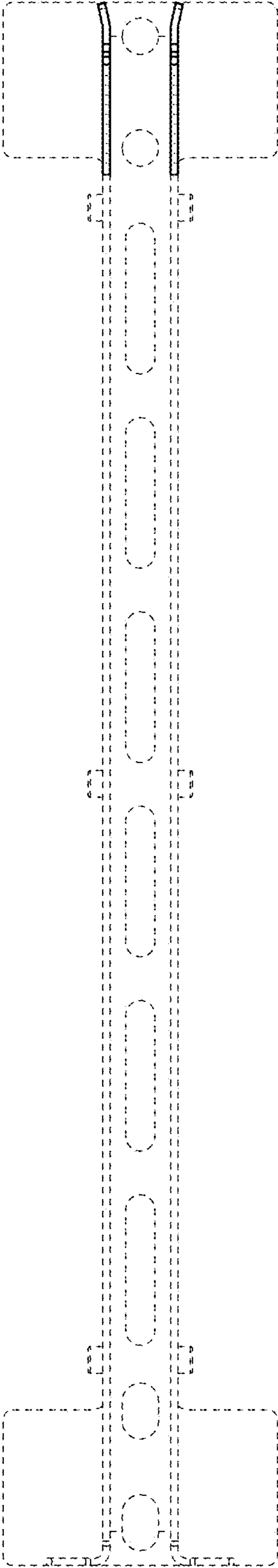


FIG. 4

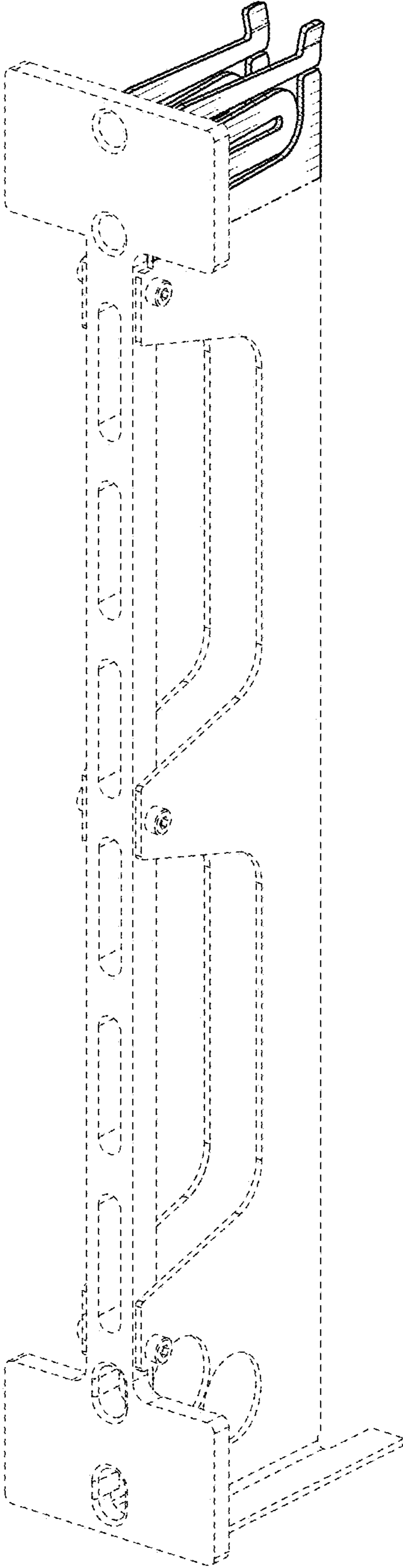


FIG. 5