



US00D907462S

(12) **United States Design Patent**  
**Yoshida**

(10) **Patent No.:** **US D907,462 S**  
(45) **Date of Patent:** **\*\* Jan. 12, 2021**

(54) **HOLDING TOOL FOR PLASTIC-MADE CAPS**

**DESCRIPTION**

(71) Applicant: **DAIKYO SEIKO, LTD.**, Sano (JP)  
(72) Inventor: **Takayuki Yoshida**, Sano (JP)  
(73) Assignee: **DAIKYO SEIKO, LTD.**, Tochigi (JP)  
(\*\*) Term: **15 Years**

(21) Appl. No.: **29/700,132**  
(22) Filed: **Jul. 31, 2019**

(30) **Foreign Application Priority Data**

Feb. 20, 2019 (JP) ..... 2019-003359

(51) **LOC (13) Cl.** ..... **08-08**

(52) **U.S. Cl.**  
USPC ..... **D8/349**

(58) **Field of Classification Search**  
USPC ..... D8/349, 350-353, 355, 363, 373-377  
(Continued)

(56) **References Cited**

**U.S. PATENT DOCUMENTS**

D407,295 S \* 3/1999 Belokin ..... D8/349  
D554,974 S \* 11/2007 Huang ..... D8/352  
(Continued)

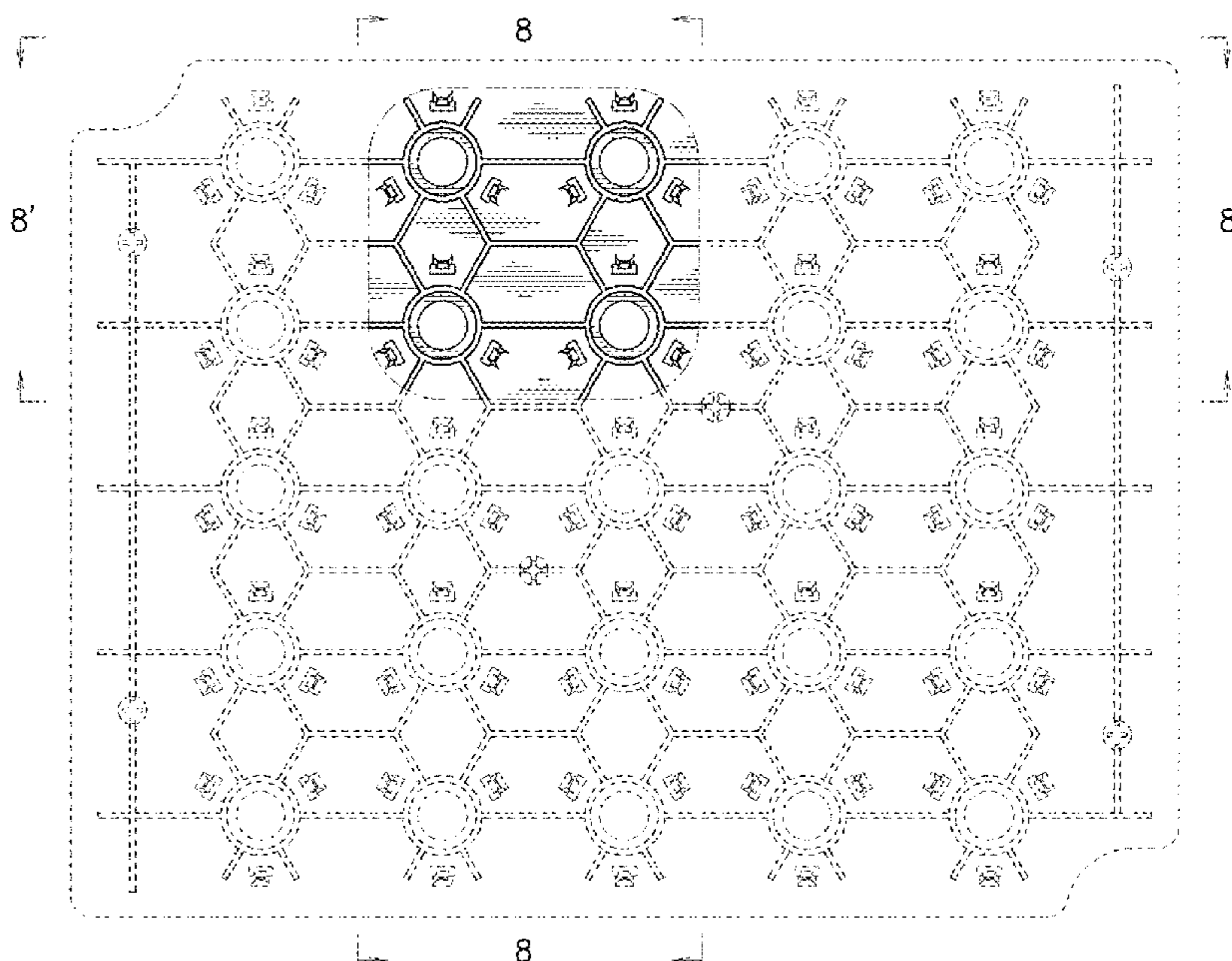
*Primary Examiner* — Mark A Goodwin  
*Assistant Examiner* — Benjamin M Weeks  
(74) *Attorney, Agent, or Firm* — Cermak Nakajima & McGowan LLP; Tomoko Nakajima

(57) **CLAIM**

The ornamental design for a holding tool for plastic-made caps, as shown and described.

FIG. 1 is a front elevational view of a holding tool for plastic-made caps showing my new design; FIG. 2 is a rear elevational view thereof; FIG. 3 is a top plan view thereof; FIG. 4 is a bottom plan view thereof; FIG. 5 is a right side elevational view thereof; and FIG. 6 is a left side elevational view thereof. FIG. 7 is a front perspective view thereof; FIG. 8 is a partially enlarged front elevational view thereof taken along lines 8-8 and 8'-8' shown in FIG. 1; FIG. 9 is a partially enlarged rear elevational view thereof taken along lines 9-9 and 9'-9' shown in FIG. 2; FIG. 10 is a cross-sectional view thereof taken along line 10-10 shown in FIG. 8; FIG. 11 is a cross-sectional view thereof taken along the line 11-11 shown in FIG. 8; FIG. 12 is a partially enlarged front elevational view thereof taken along lines 8-8 and 8'-8' shown in FIG. 1; FIG. 13 is a combined sectional view taken along line 13-13-13" as shown in FIG. 12. FIG. 14 is a partially enlarged front perspective view thereof taken along lines 8-8 and 8'-8' shown in FIG. 1 and ; FIG. 15 is a partially enlarged rear perspective view thereof taken along lines 9-9 and 9'-9' shown in FIG. 2; FIG. 16 is a referential cross-sectional view thereof taken along line 10-10 shown in FIG. 8, showing a state of use; and, FIG. 17 is a referential partially enlarged front perspective view thereof taken along lines 8-8 and 8'-8' shown in FIG. 1 showing the state of use. The broken line in the drawings is included for the purpose of illustrating environment, and forms no part of the claimed design. The alternate long and short dash line denotes the boundary between the claimed design and unclaimed parts.

**1 Claim, 17 Drawing Sheets**



(58) **Field of Classification Search**

CPC ..... A47G 1/20; A47G 7/047; A47G 25/0607;  
A47G 29/00; A61M 5/002

See application file for complete search history.

(56) **References Cited**

U.S. PATENT DOCUMENTS

D563,710 S *	3/2008	Belokin .....	D6/574
D632,544 S *	2/2011	Garcia, Jr. ....	D8/349
D666,476 S *	9/2012	Ito .....	D8/373
D668,531 S *	10/2012	Ito .....	D8/373
10,582,794 B1 *	3/2020	Ekkert .....	A47G 29/00
D892,598 S *	8/2020	Gebhardt .....	D8/354
2012/0080341 A1 *	4/2012	Finke .....	A61M 5/008
			206/366
2013/0341224 A1 *	12/2013	Dasbach .....	A61M 5/3205
			206/366
2014/0014654 A1 *	1/2014	Gerner .....	B01L 9/06
			220/23.83

\* cited by examiner

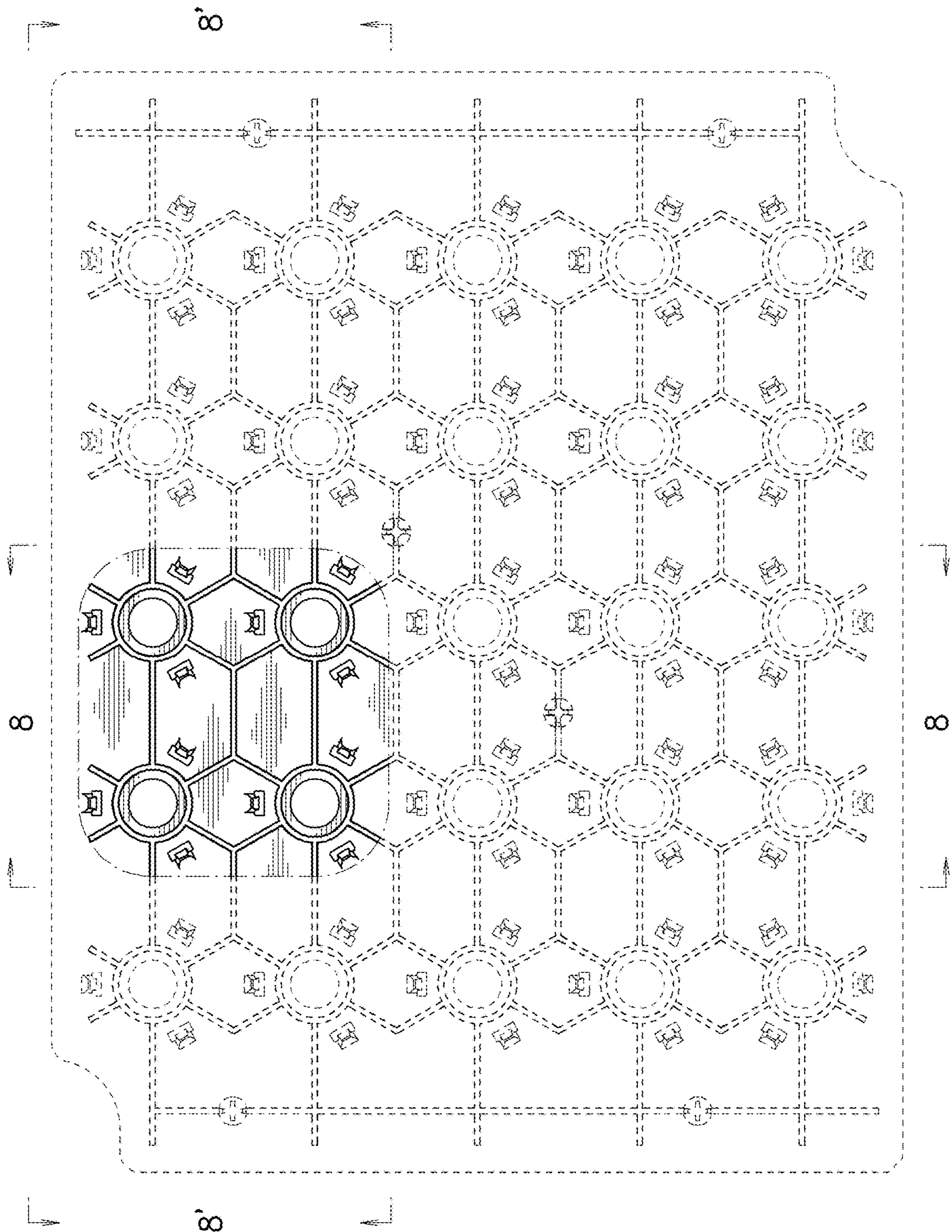


FIG. 1

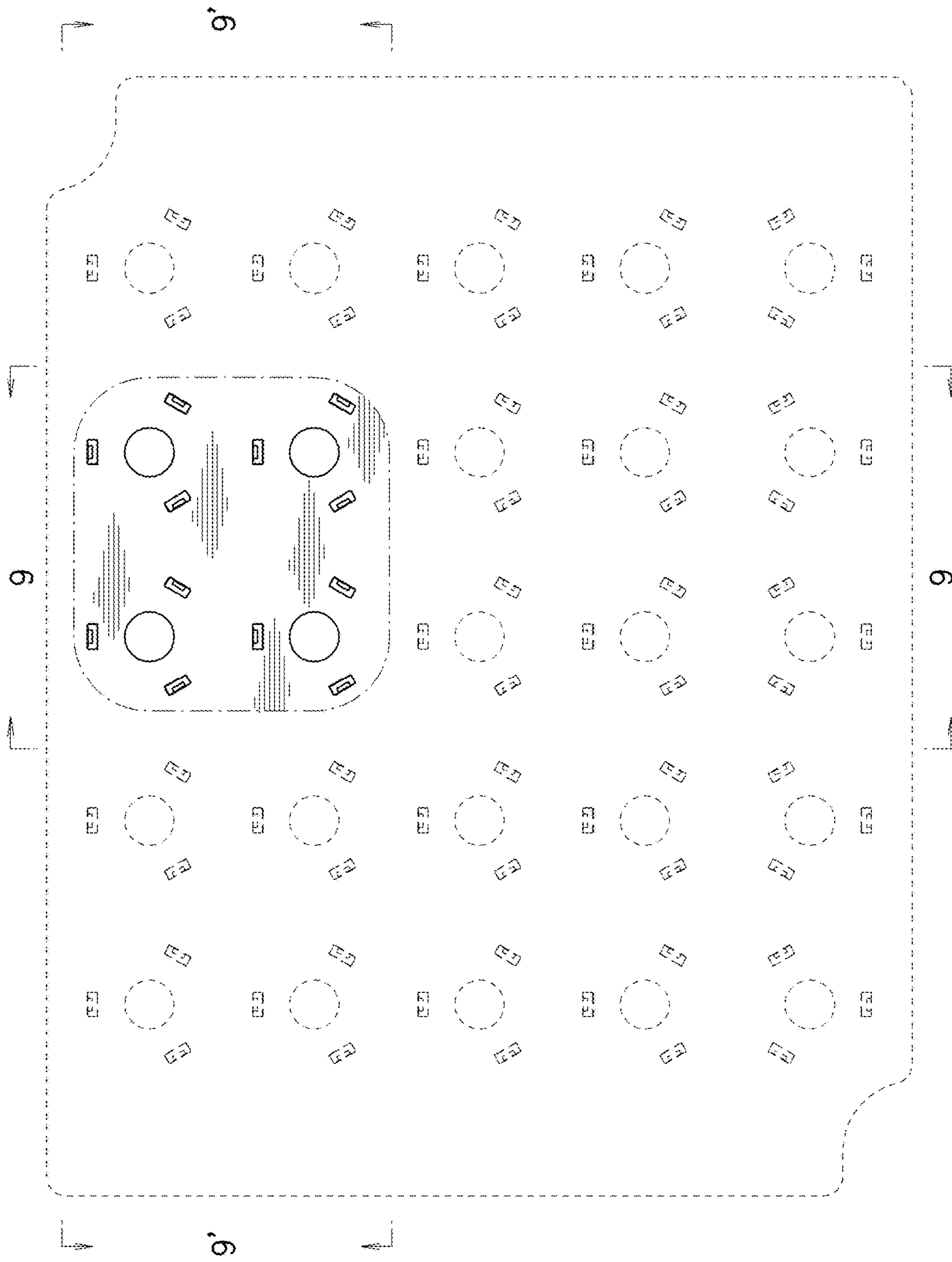


FIG. 2

FIG. 3

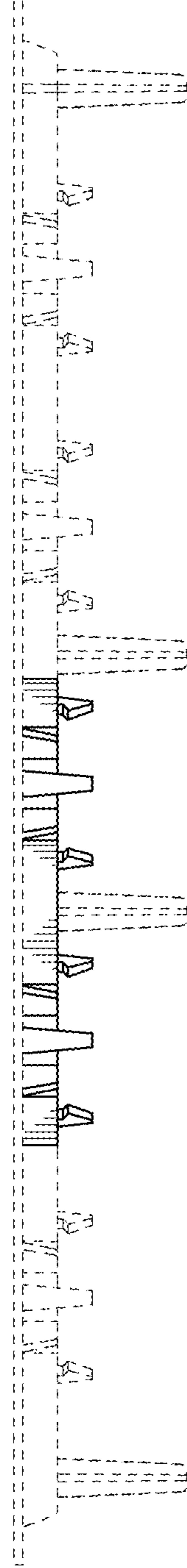
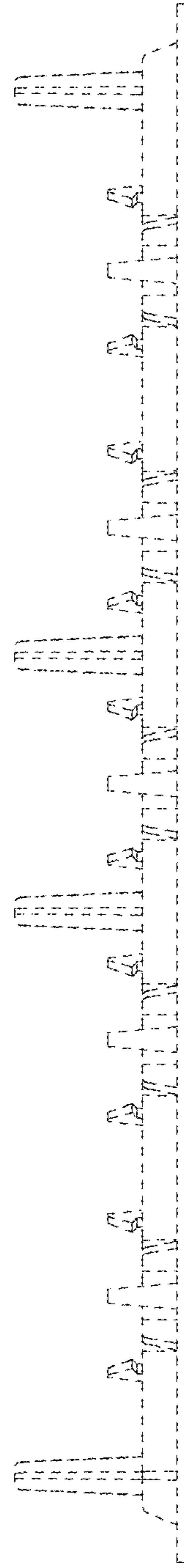


FIG. 4



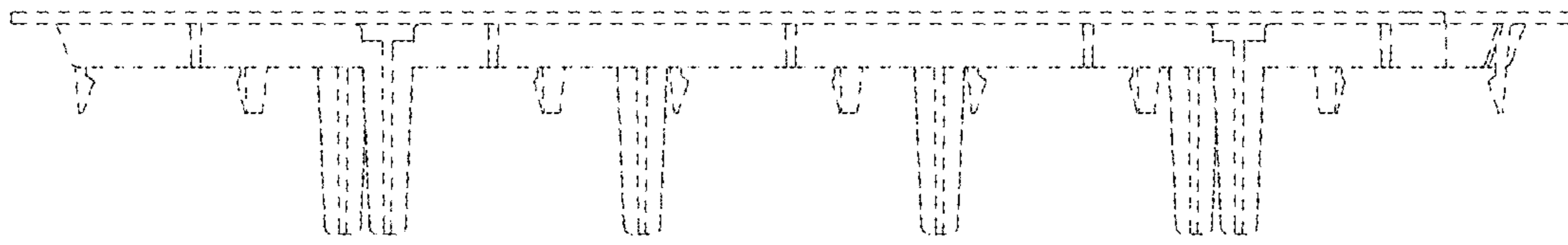


FIG. 5

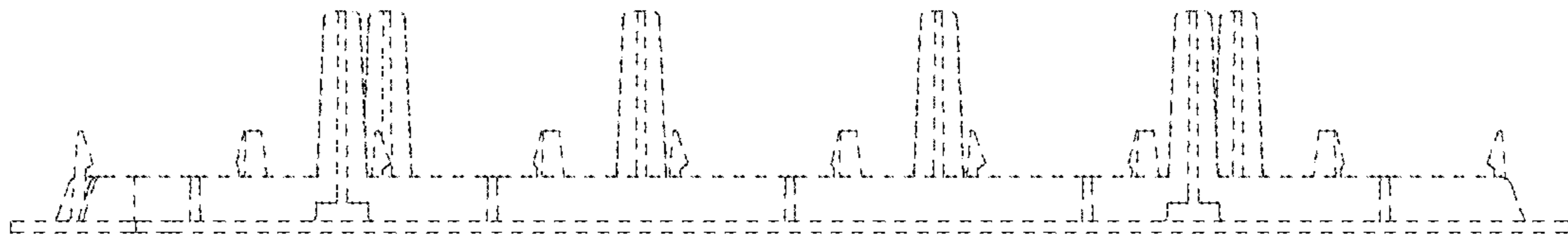


FIG. 6



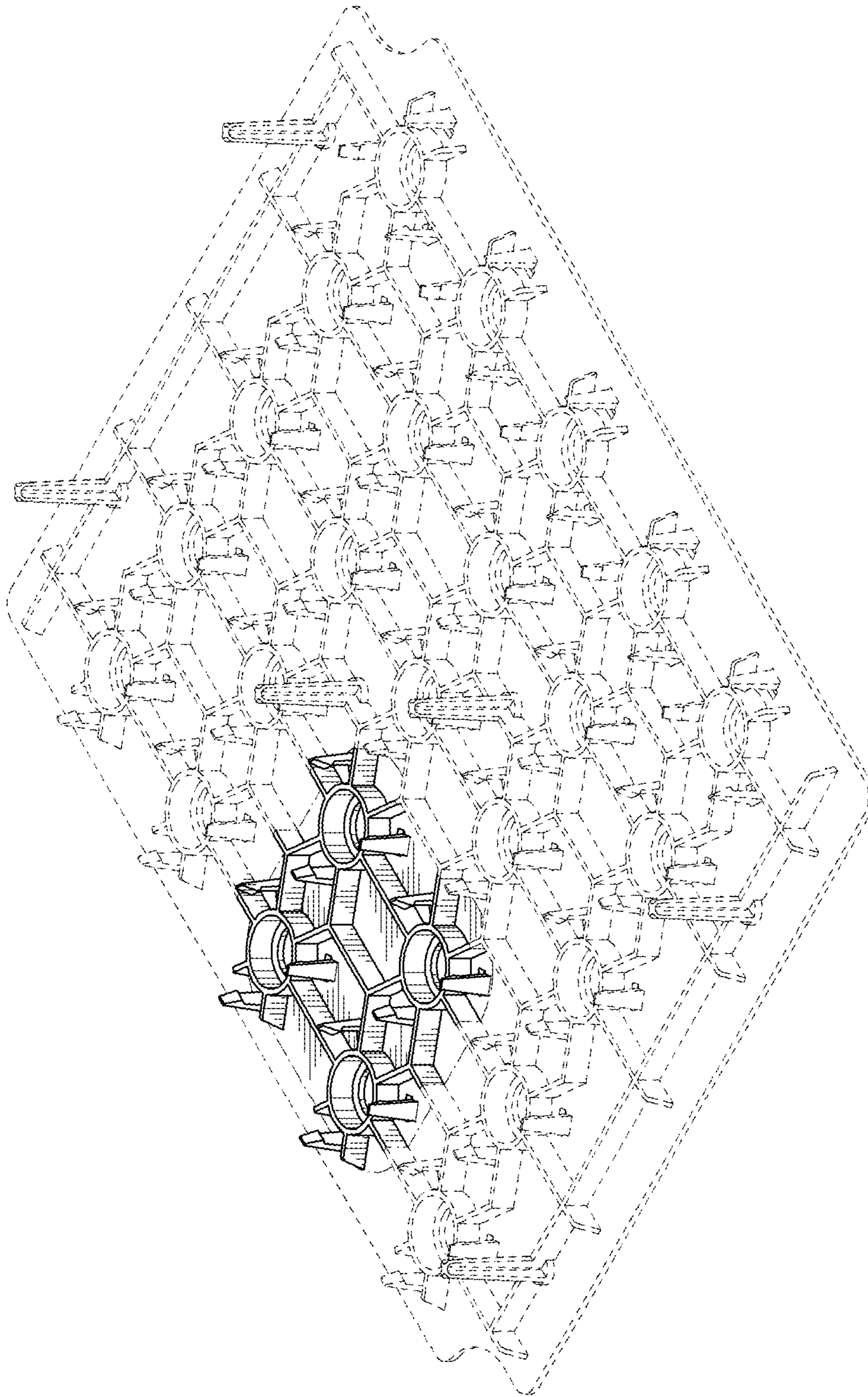
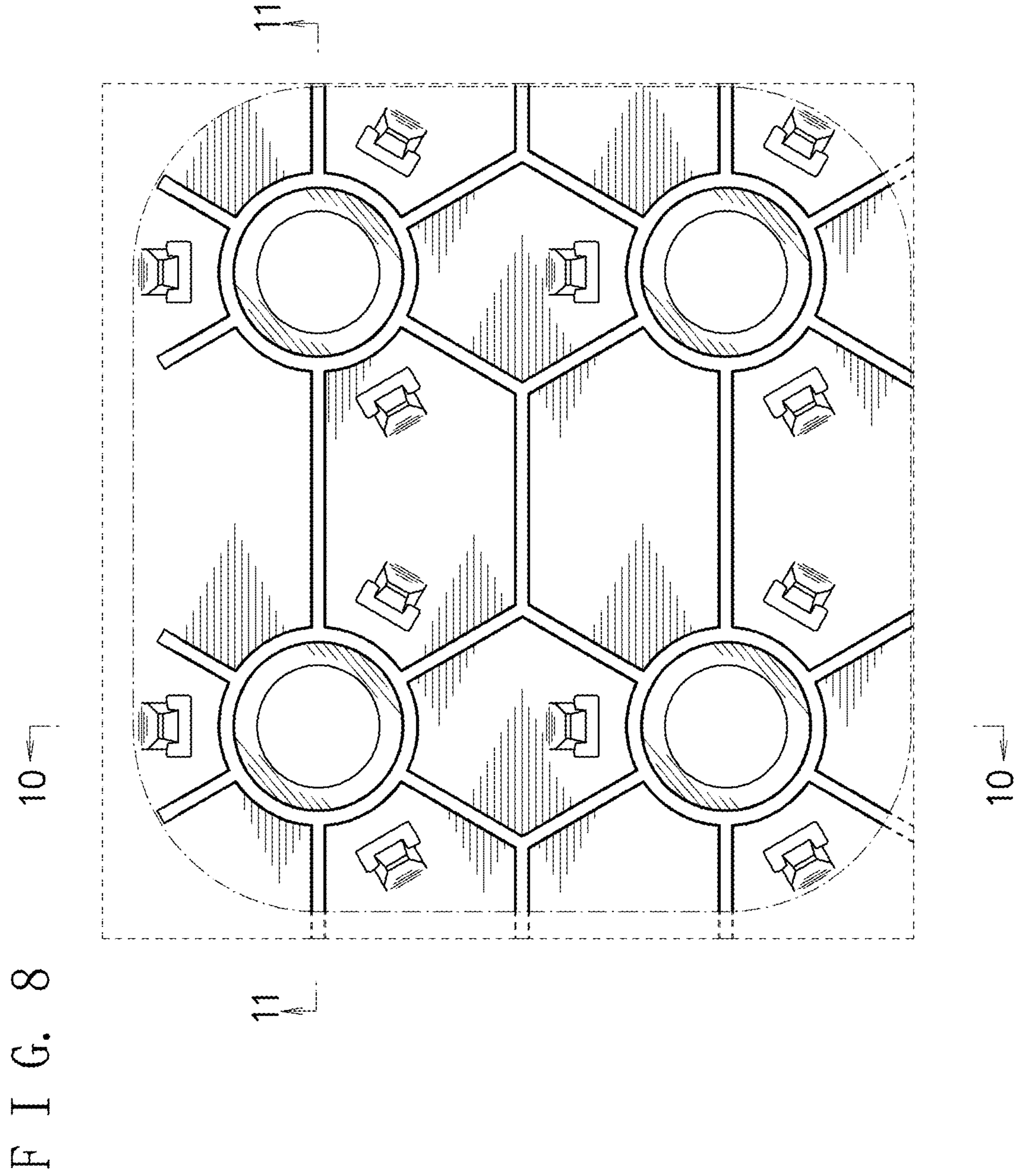


FIG. 7



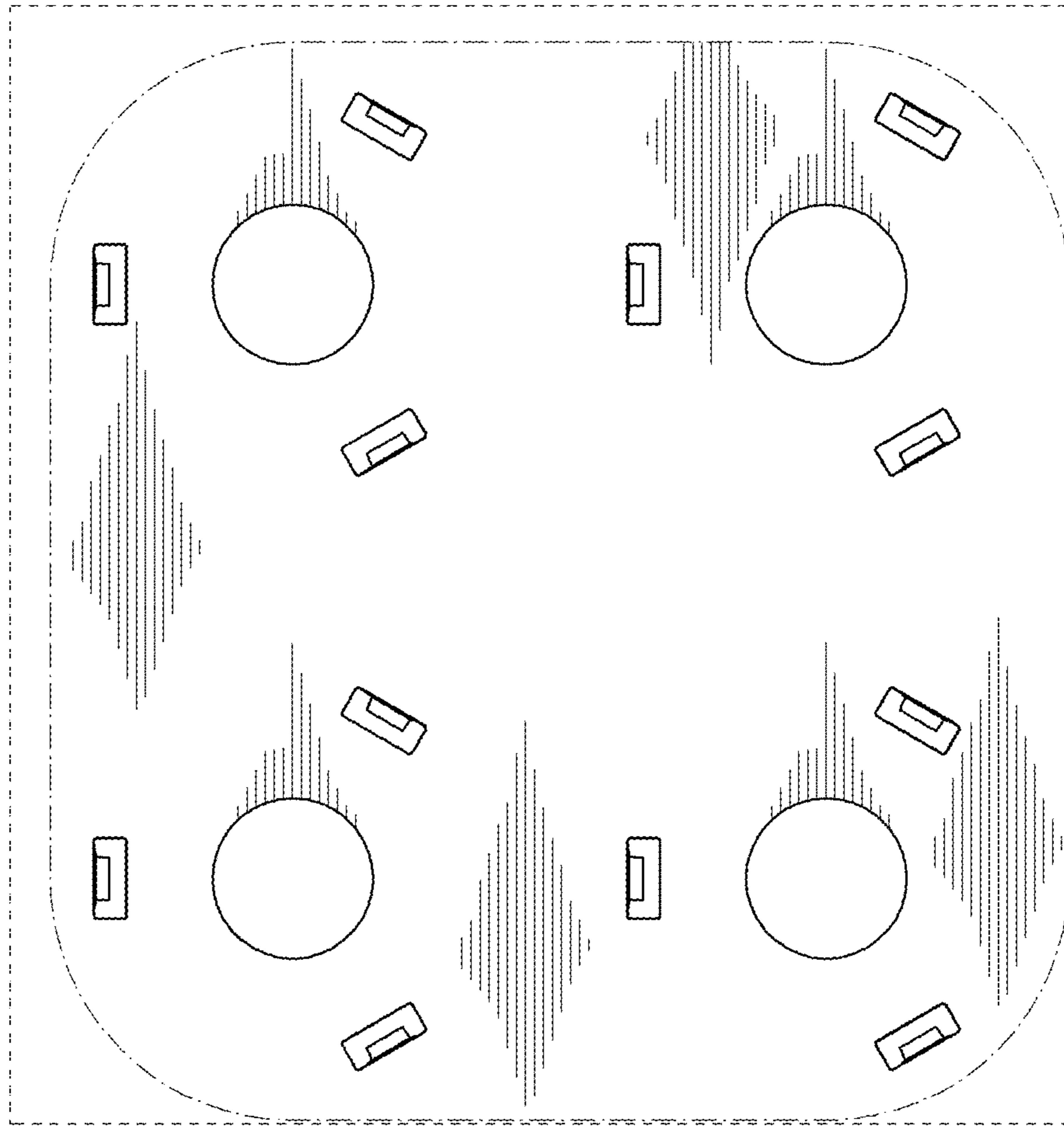


FIG. 9

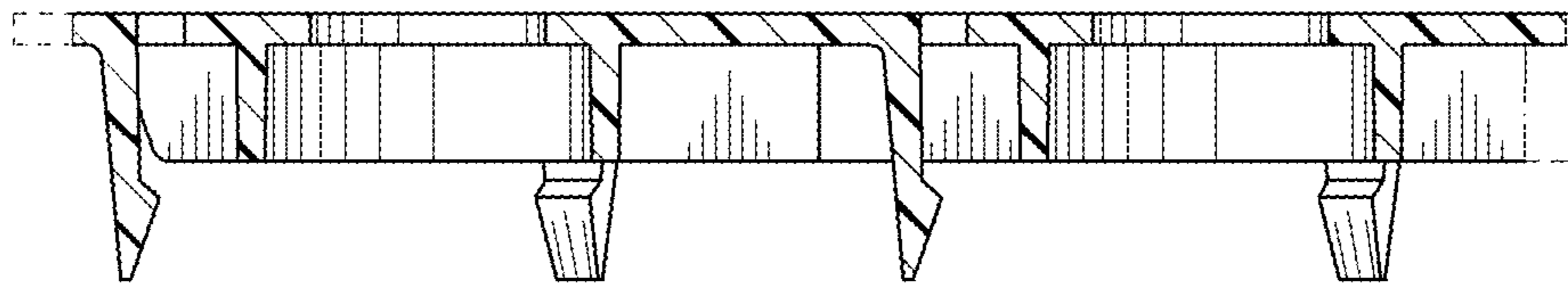


FIG. 10

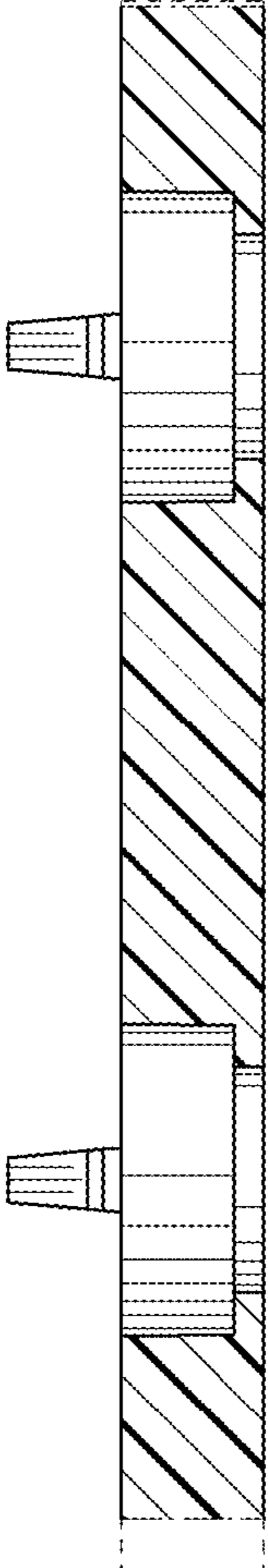


FIG. 11

FIG. 12

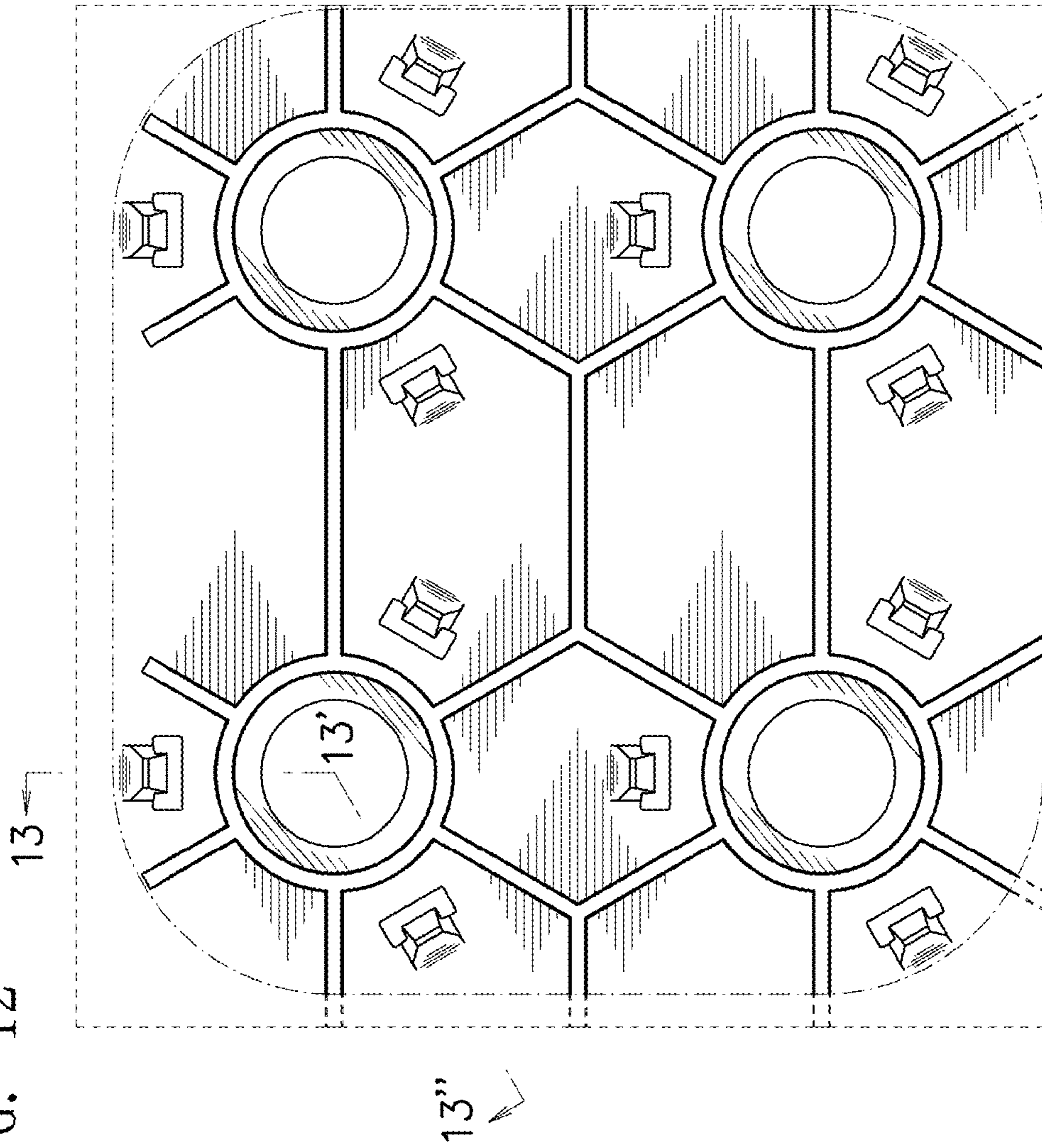
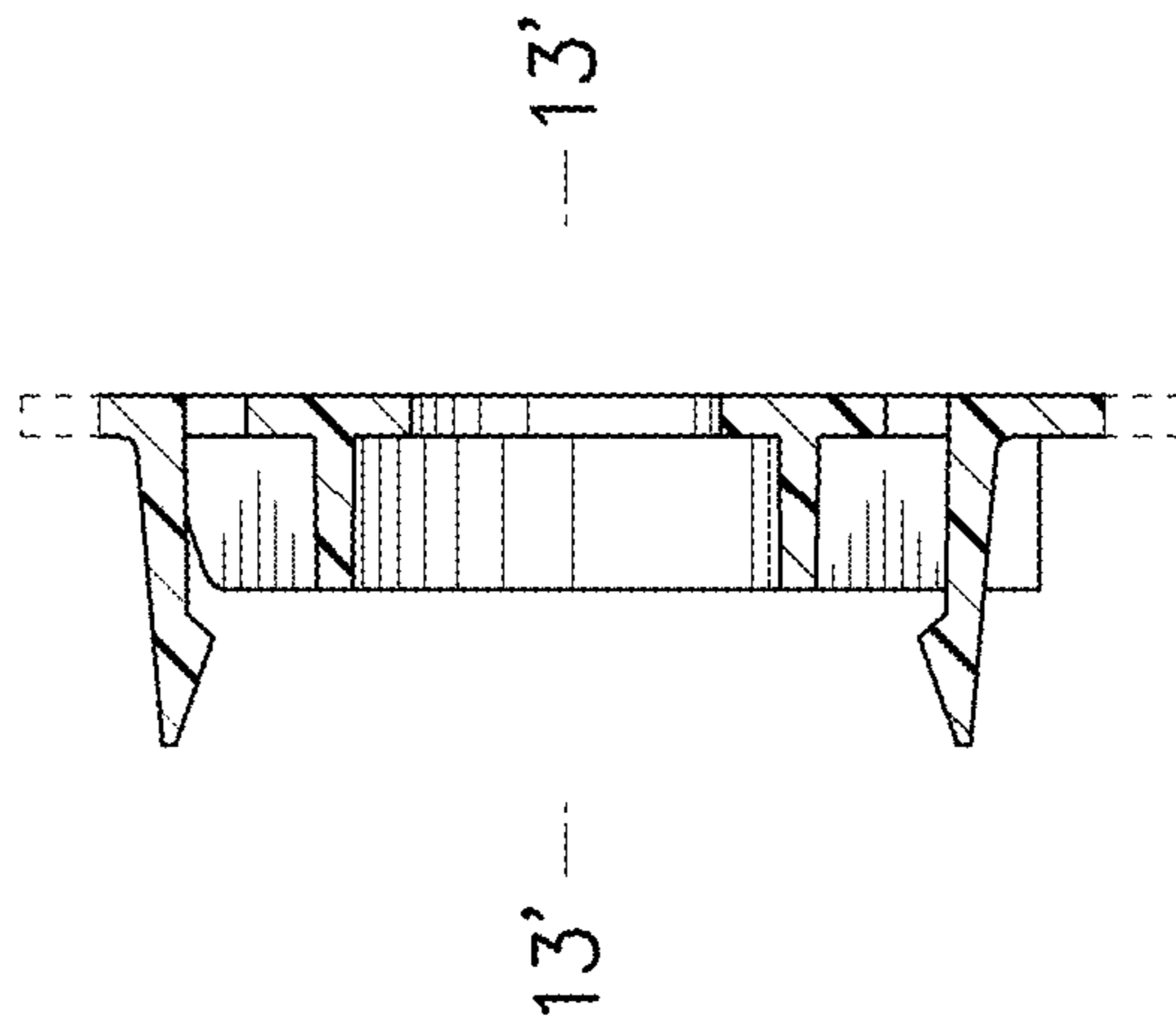


FIG. 13



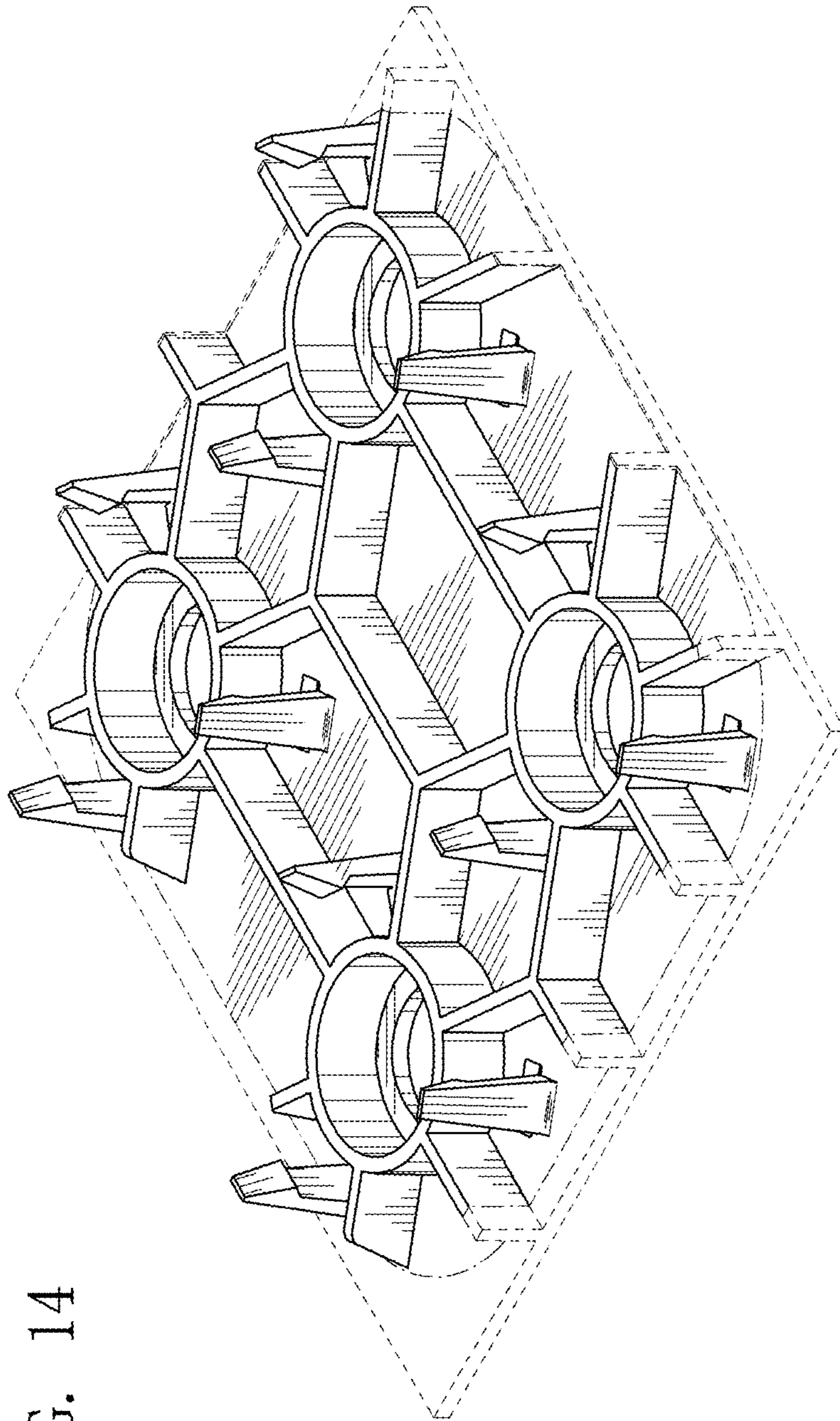


FIG. 14



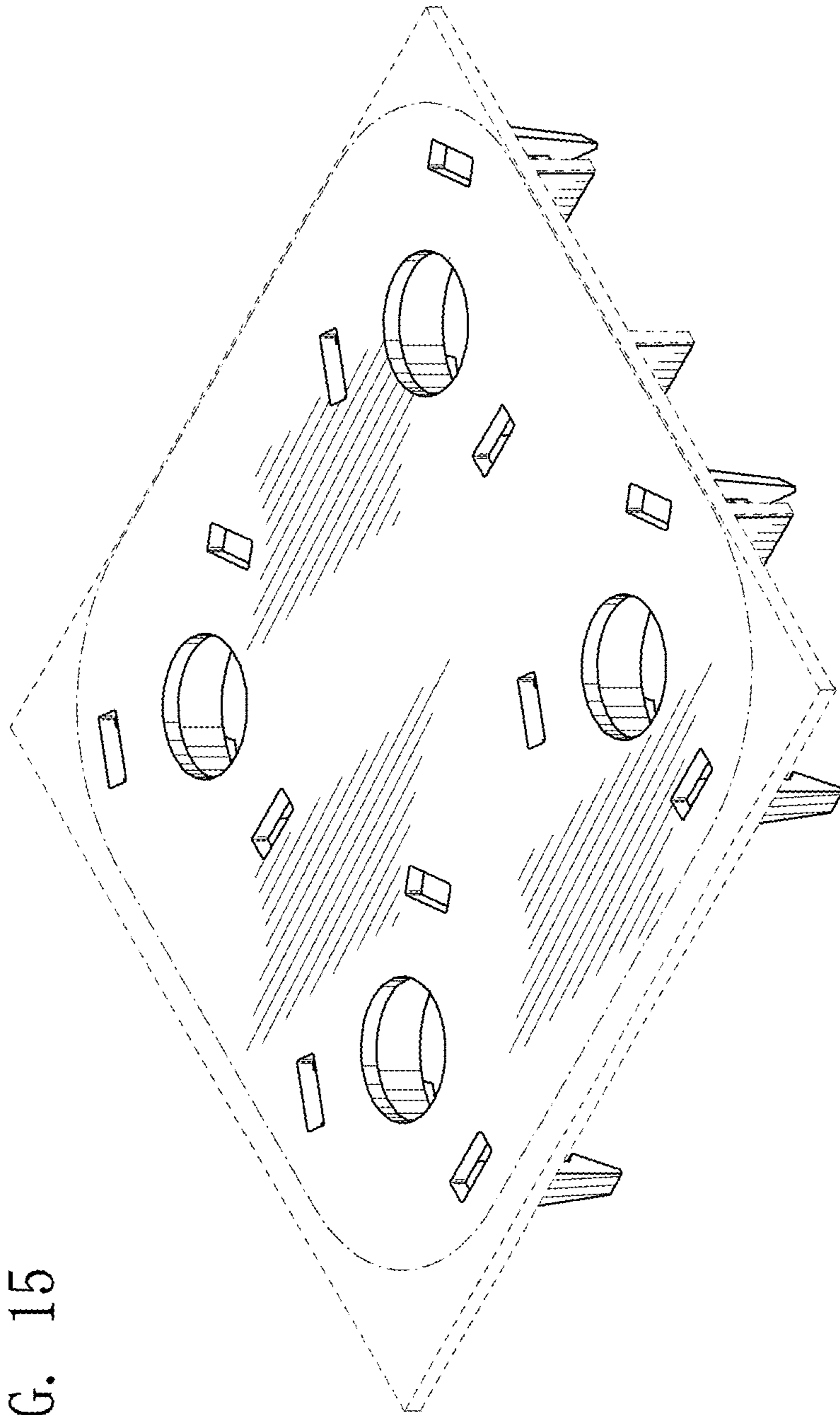


FIG. 15

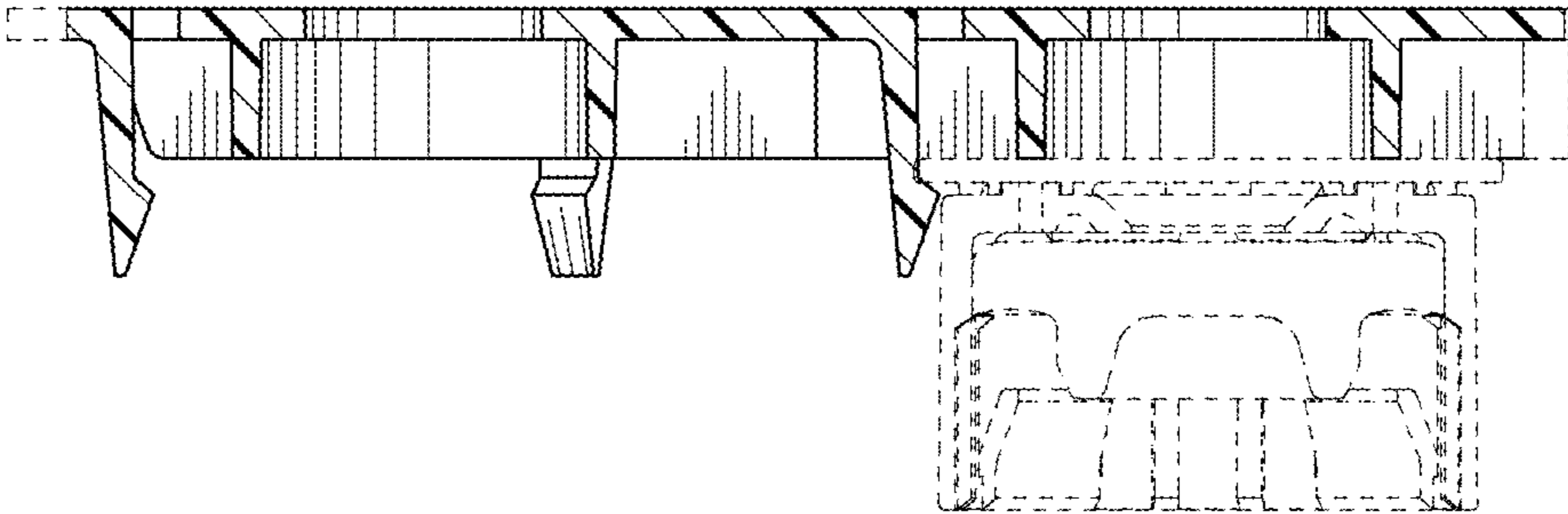


FIG. 16

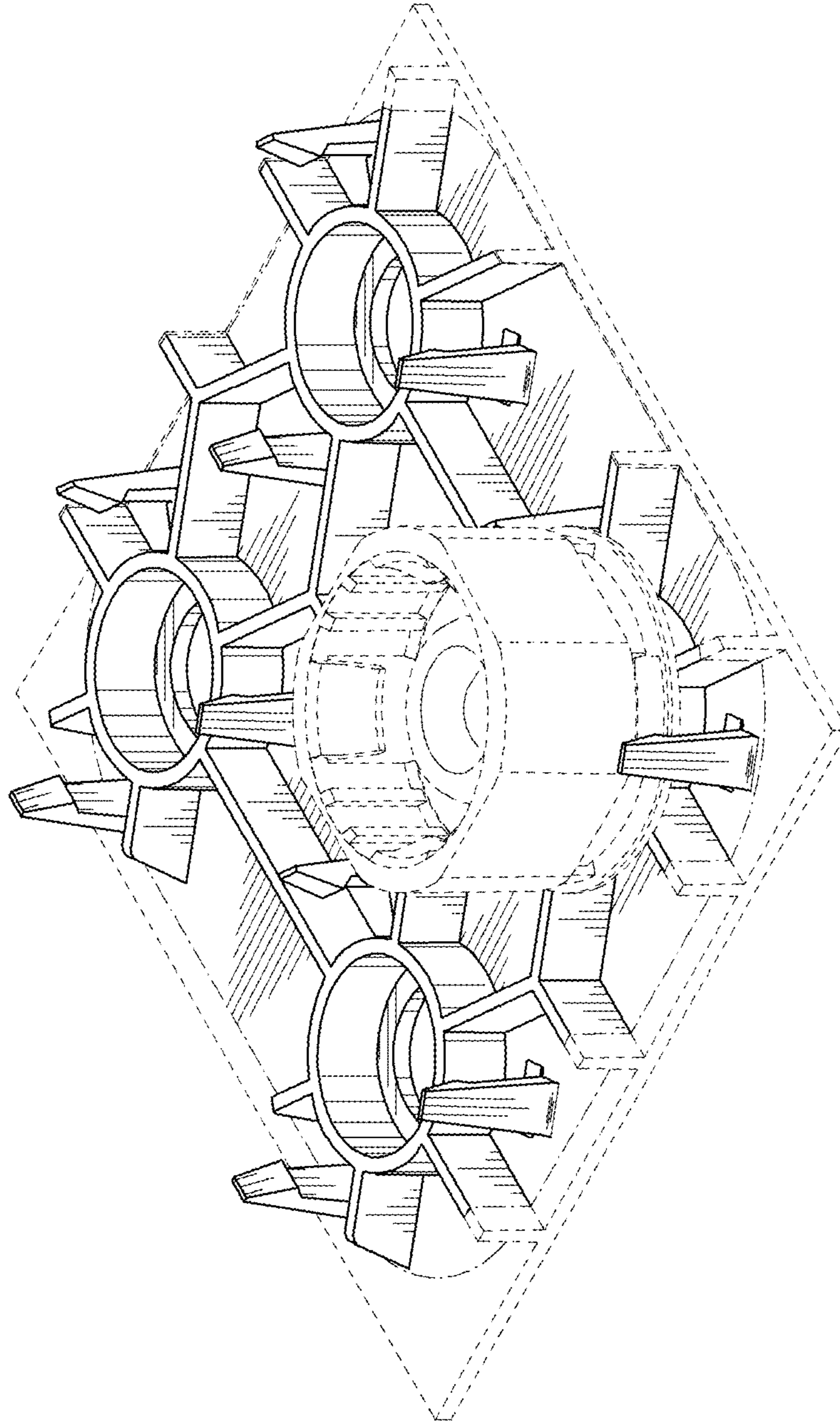


FIG. 17