



US00D907460S

(12) **United States Design Patent** (10) **Patent No.:** **US D907,460 S**  
**Marsden** (45) **Date of Patent:** **\*\* Jan. 12, 2021**

(54) **CABINET LOCK PART**  
(71) Applicant: **Elbee Pty Ltd.**, Bondi Junction (AU)  
(72) Inventor: **Andrew Marsden**, Hingham, MA (US)  
(73) Assignee: **Elbee Pty Ltd.**, Bondi Junction (AU)  
(\*\*) Term: **15 Years**

D773,921 S \* 12/2016 Weiss ..... D8/331  
9,650,812 B2 \* 5/2017 Denison ..... E05B 65/46  
D795,674 S \* 8/2017 Schroll ..... D8/343  
9,741,189 B2 \* 8/2017 Ribbe ..... E05F 15/60  
9,771,741 B2 \* 9/2017 Sljivic ..... E05C 3/042  
D817,739 S \* 5/2018 Ocklenburg ..... D8/343  
D832,075 S \* 10/2018 Gokcebay ..... D8/331  
D837,034 S \* 1/2019 Huang ..... D8/331

(21) Appl. No.: **29/706,185**  
(22) Filed: **Sep. 18, 2019**  
(51) **LOC (13) Cl.** ..... **08-07**  
(52) **U.S. Cl.**  
USPC ..... **D8/343**  
(58) **Field of Classification Search**  
USPC ..... D8/331, 343  
CPC ..... E05B 65/0014; E05B 65/0025; E05B  
65/0028; E05B 65/0085; E05B 65/44;  
E05B 65/46; E05B 65/461; E05B 65/462;  
E05B 65/463; E05B 65/464; E05B  
65/466; E05B 65/469; E05B 13/00; A47F  
3/00; A47F 3/005; A47F 3/007; A47F  
7/024

See application file for complete search history.

(56) **References Cited**

**U.S. PATENT DOCUMENTS**

5,188,405 A 2/1993 Maccaferri  
5,485,733 A 1/1996 Hoffman  
6,000,735 A 12/1999 Jourdenais  
7,234,739 B2 6/2007 Saitoh et al.  
7,841,221 B2 \* 11/2010 Hill ..... E05C 9/047  
70/120  
7,934,780 B2 5/2011 McBroom et al.  
8,397,546 B2 3/2013 Varney et al.  
8,602,465 B2 12/2013 Holmgren  
8,726,704 B2 5/2014 White  
9,295,331 B2 \* 3/2016 Slogoff ..... A47B 88/969  
9,307,797 B2 4/2016 Sánchez Giráldez  
9,351,589 B2 \* 5/2016 Yeh ..... E05D 15/066  
9,359,789 B2 \* 6/2016 Pancel ..... E05B 17/2088

**OTHER PUBLICATIONS**

[No Author Listed] Product Listing for Safety 1st Extra Key for Adhesive Magnetic Lock System with 1 Key, 2 Locks. Amazon com. [https://www.amazon.com/Safety-1st-Adhesive-Magnetic-System/dp/B076QCR4ND/ref=sr\\_1\\_5\\_s\\_it?s=baby-products&ie=UTF8&qid=1521217493&sr=1-5&keywords=safety%2B1st%2Bmagnetic%2Block&th=1](https://www.amazon.com/Safety-1st-Adhesive-Magnetic-System/dp/B076QCR4ND/ref=sr_1_5_s_it?s=baby-products&ie=UTF8&qid=1521217493&sr=1-5&keywords=safety%2B1st%2Bmagnetic%2Block&th=1), last accessed Mar. 20, 2020, 10 pages.

(Continued)

*Primary Examiner* — Doris Clark  
(74) *Attorney, Agent, or Firm* — Wolf, Greenfield & Sacks, P.C.

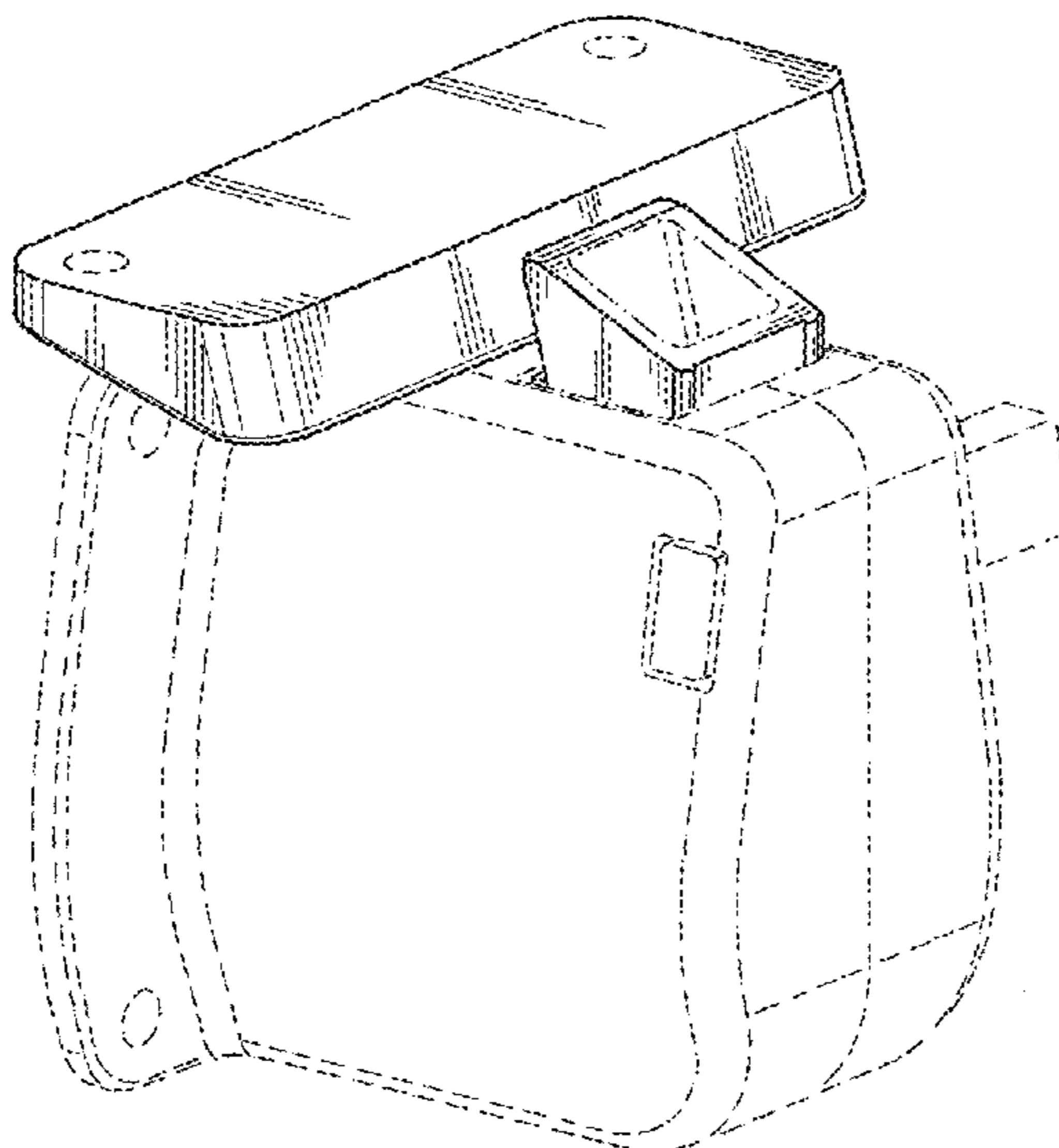
(57) **CLAIM**

The ornamental design for a cabinet lock part, as shown and described.

**DESCRIPTION**

FIG. 1 is a top, front, left side perspective view of a cabinet lock part showing our new design; FIG. 2 is a rear elevation view thereof; FIG. 3 is a front elevation view thereof; FIG. 4 is a right side elevation view thereof; FIG. 5 is a left side elevation view thereof; FIG. 6 is a top plan view thereof; and, FIG. 7 is a bottom plan view thereof. The dot-dash broken lines in the figures represent boundaries of the claimed design and form no part thereof. All other broken lines illustrate portions of the cabinet lock part that form no part of the claimed design.

**1 Claim, 7 Drawing Sheets**



(56)

**References Cited**

OTHER PUBLICATIONS

[No Author Listed] Product Listing for Safety 1st Magnetic Locking System Starter Set (2 Locks, 1 Key). Amazon.com. [https://www.amazon.com/Safety-1st-Magnetic-Locking-Starter/dp/B0000488W1/ref=sr\\_1\\_7\\_s\\_it?s=baby-products&ie=UTF8&qid=1521217815&sr=1-7&keywords=safety+1st+magnetic+lock](https://www.amazon.com/Safety-1st-Magnetic-Locking-Starter/dp/B0000488W1/ref=sr_1_7_s_it?s=baby-products&ie=UTF8&qid=1521217815&sr=1-7&keywords=safety+1st+magnetic+lock), last accessed Mar. 20, 2020, 8 pages.

U.S. Appl. No. 29/706,204, filed Sep. 18, 2019, Marsden.

U.S. Appl. No. 29/706,186, filed Sep. 18, 2019, Marsden.

U.S. Appl. No. 16/575,361, filed Sep. 18, 2019, Marsden.

\* cited by examiner

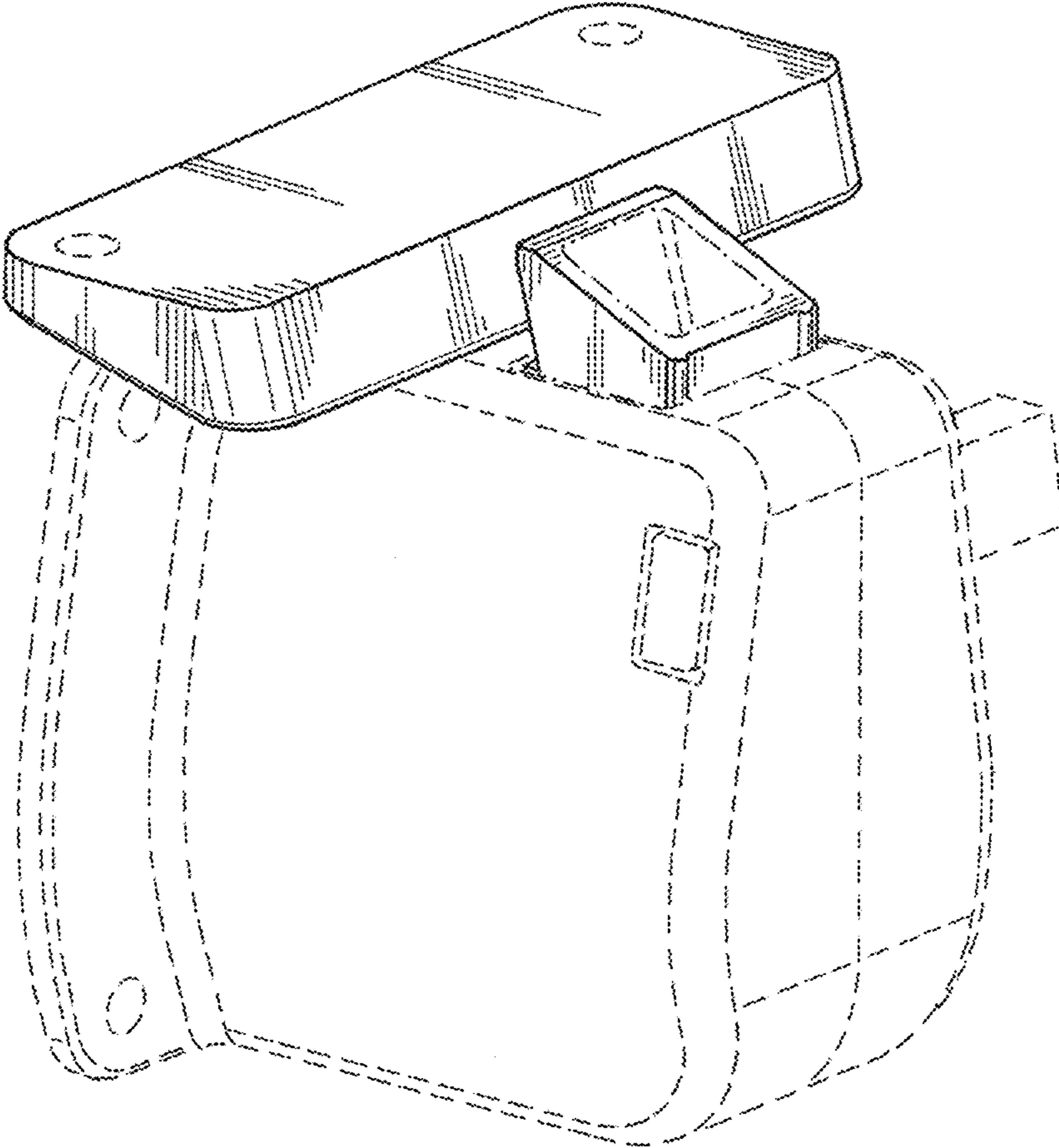


FIG. 1

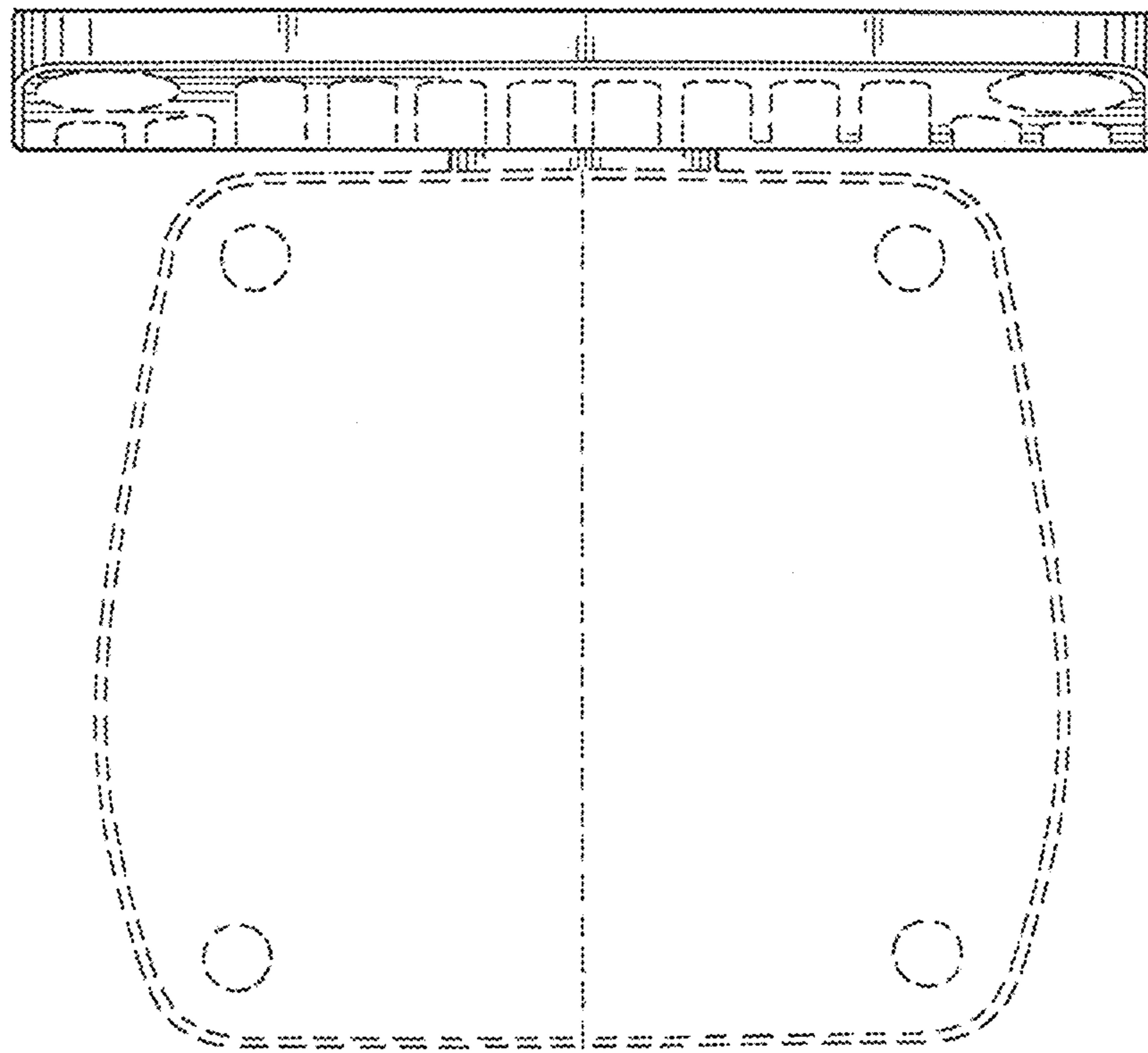


FIG. 2

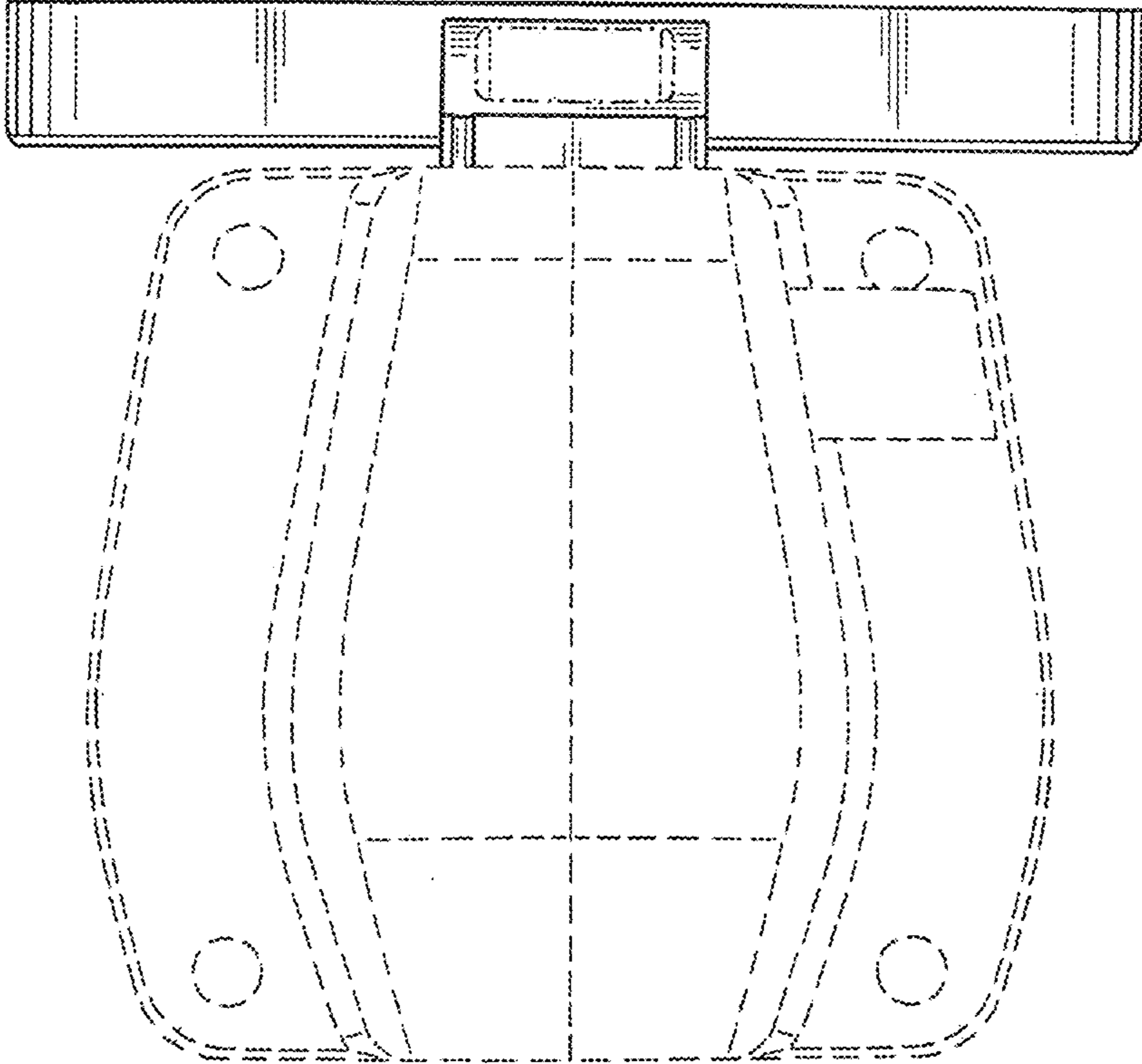


FIG. 3

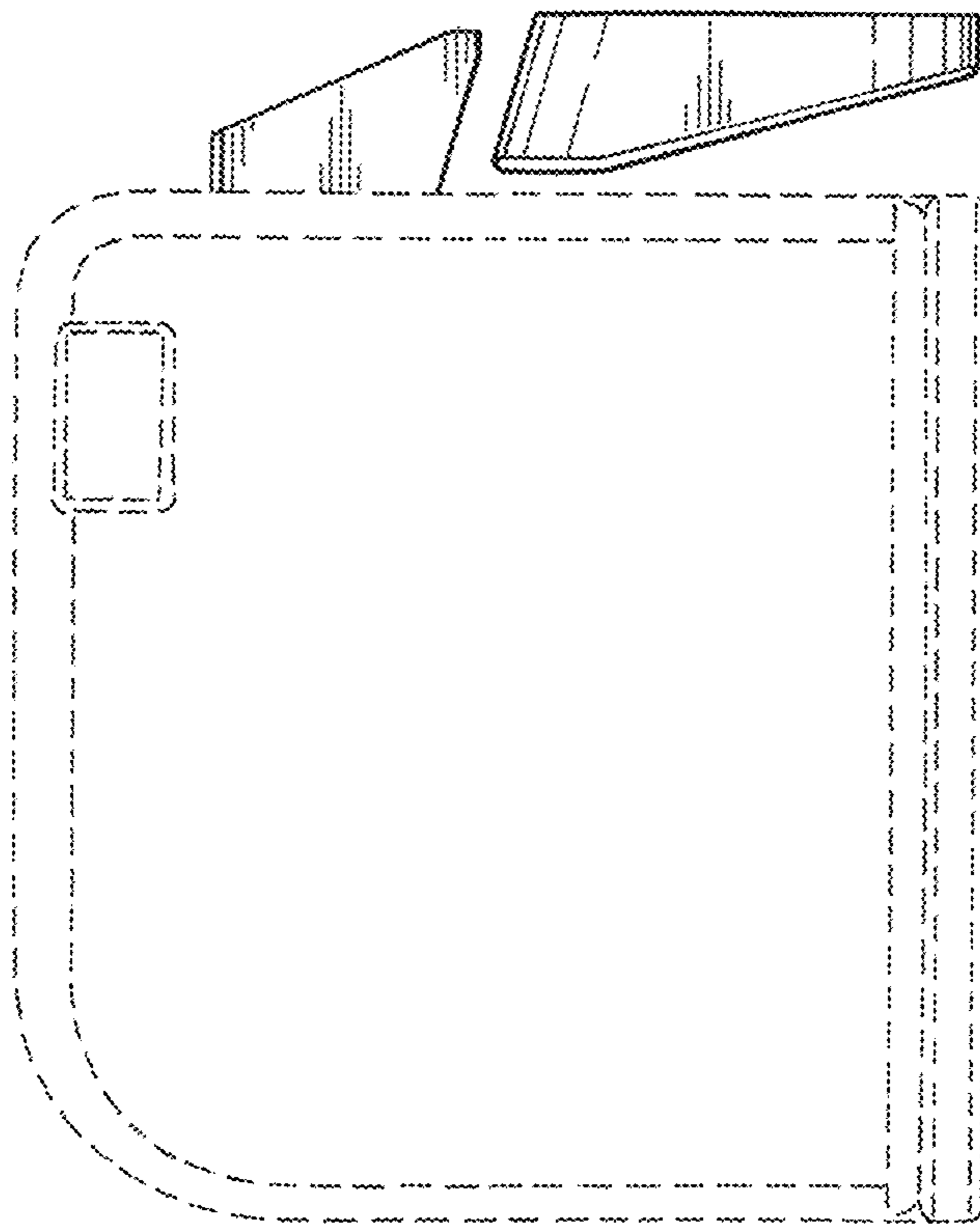


FIG. 4



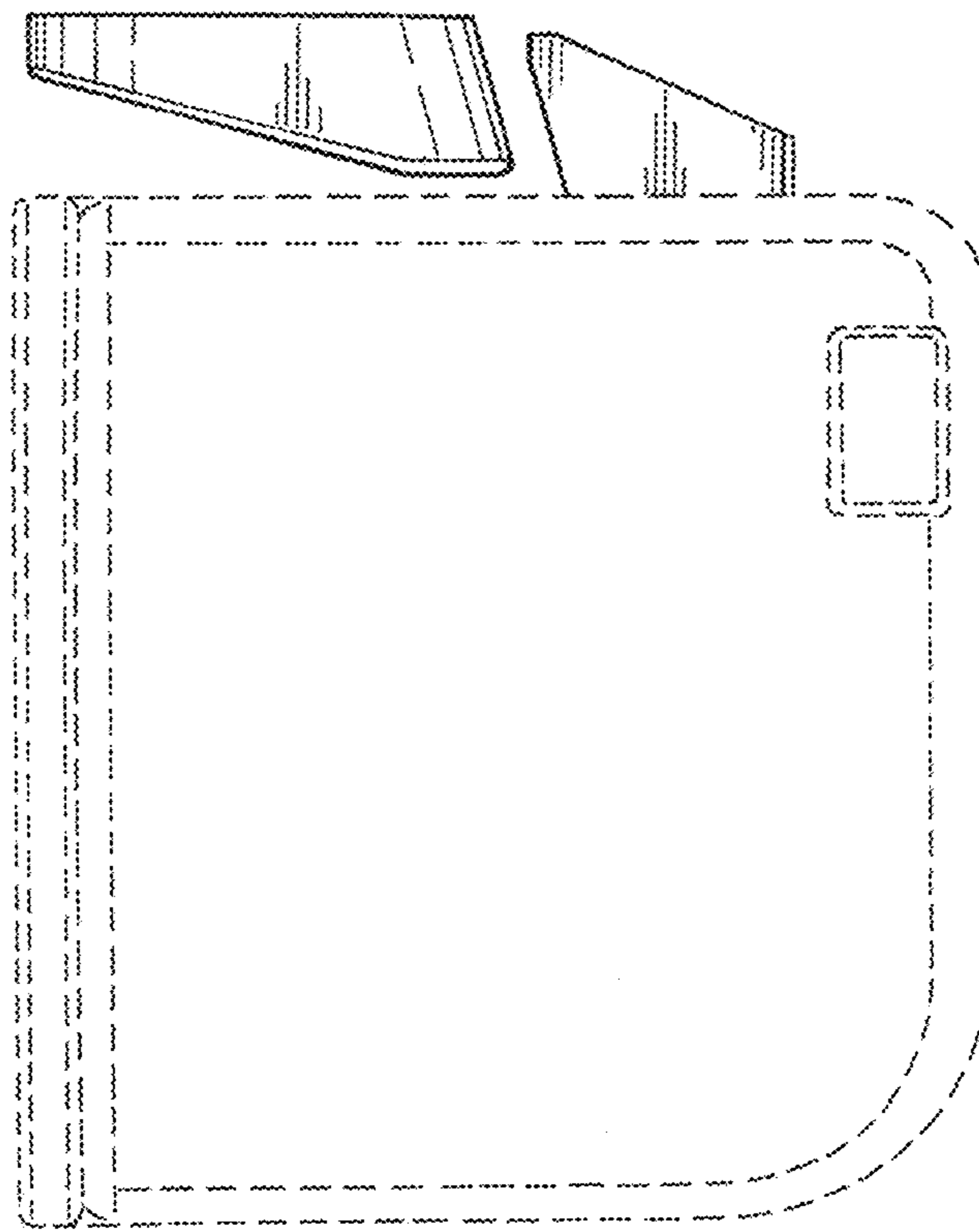


FIG. 5

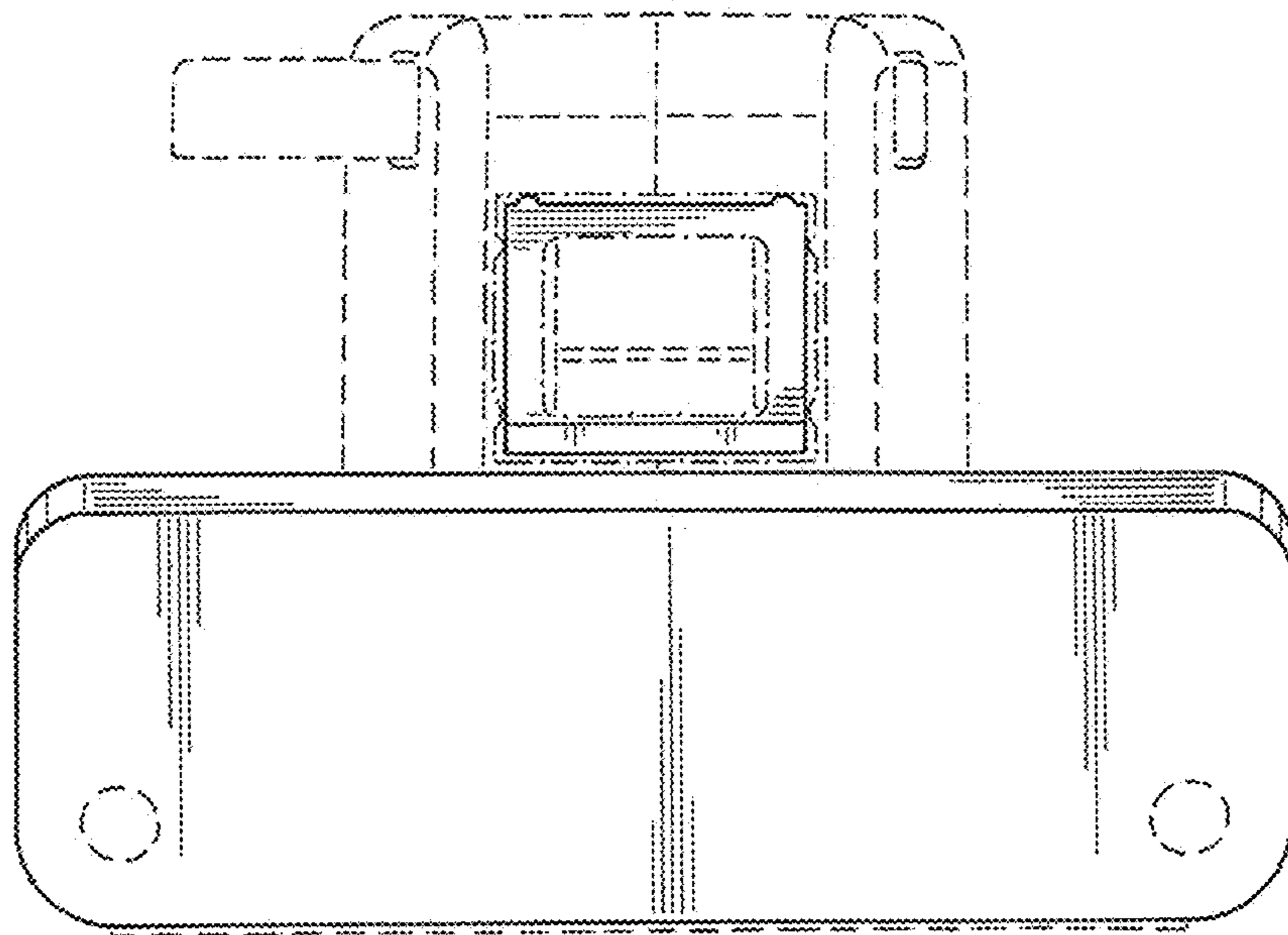


FIG. 6



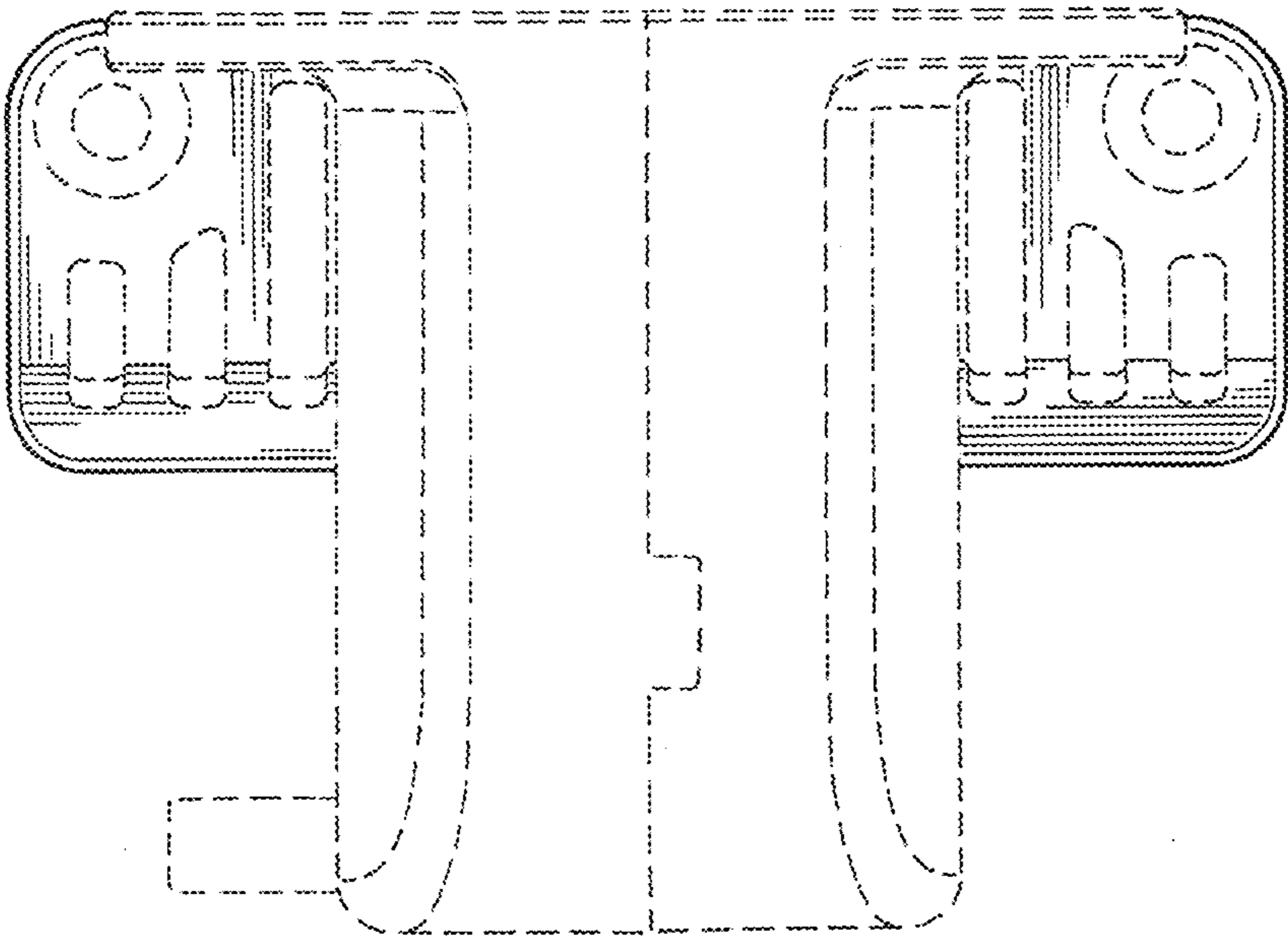


FIG. 7