



US00D907459S

(12) **United States Design Patent**
Ocklenburg

(10) **Patent No.:** **US D907,459 S**

(45) **Date of Patent:** **** Jan. 12, 2021**

(54) **LOCK**

(71) Applicant: **ABUS August Bremicker Söhne KG**,
Wetter-Volmarstein (DE)

(72) Inventor: **Matthias Ocklenburg**, Darmstadt (DE)

(73) Assignee: **ABUS August Bremicker Söhne KG**

(**) Term: **15 Years**

(21) Appl. No.: **29/669,615**

(22) Filed: **Nov. 9, 2018**

(30) **Foreign Application Priority Data**

May 11, 2018 (EM) 005265717

(51) **LOC (13) Cl.** **08-07**

(52) **U.S. Cl.**
USPC **D8/343; D8/331**

(58) **Field of Classification Search**
USPC D8/330-349, 382, 383, 394-396;
70/14-28, 57, 57.1, 58, 141-143, 114,
(Continued)

(56) **References Cited**

U.S. PATENT DOCUMENTS

1,295,810 A * 2/1919 Stanley E05B 37/02
70/213
5,761,934 A * 6/1998 Kuo E05B 17/002
70/233

(Continued)

FOREIGN PATENT DOCUMENTS

CN 3346402 * 7/2003
CN 3659115 * 6/2006

(Continued)

OTHER PUBLICATIONS

Abus, Bicycle Lock 896 / 110 Ec Texkf Mini Phantom, 17 mm / 110 cm, Date first available Jul. 30, 2012, [online]retrieved Sep. 2, 2020, available from internet, www.amazon.com (Year: 2012).*

(Continued)

Primary Examiner — Keli L Hill

Assistant Examiner — Sara S Sahneh

(74) *Attorney, Agent, or Firm* — Dinsmore & Shohl LLP

(57) **CLAIM**

The ornamental design for a lock, as shown and described.

DESCRIPTION

FIG. 1 is a rear top right side perspective view of an embodiment of the lock;

FIG. 2 is a top plan view of the lock of FIG. 1;

FIG. 3 is a front elevational view of the lock of FIG. 1;

FIG. 4 is a left side elevational view of the lock of FIG. 1;

FIG. 5 is a right side elevational view of the lock of FIG. 1;

FIG. 6 is a rear elevational side view of the lock of FIG. 1;

FIG. 7 is a bottom plan view of the lock of FIG. 1;

FIG. 8 is a front bottom left side perspective view of the lock of FIG. 1;

FIG. 9 is a rear top right side perspective view of a further embodiment of the lock;

FIG. 10 is a top plan view of the lock of FIG. 9;

FIG. 11 is a front elevational view of the lock of FIG. 9;

FIG. 12 is a left side elevational view of the lock of FIG. 9;

FIG. 13 is a right side elevational view of the lock of FIG. 9;

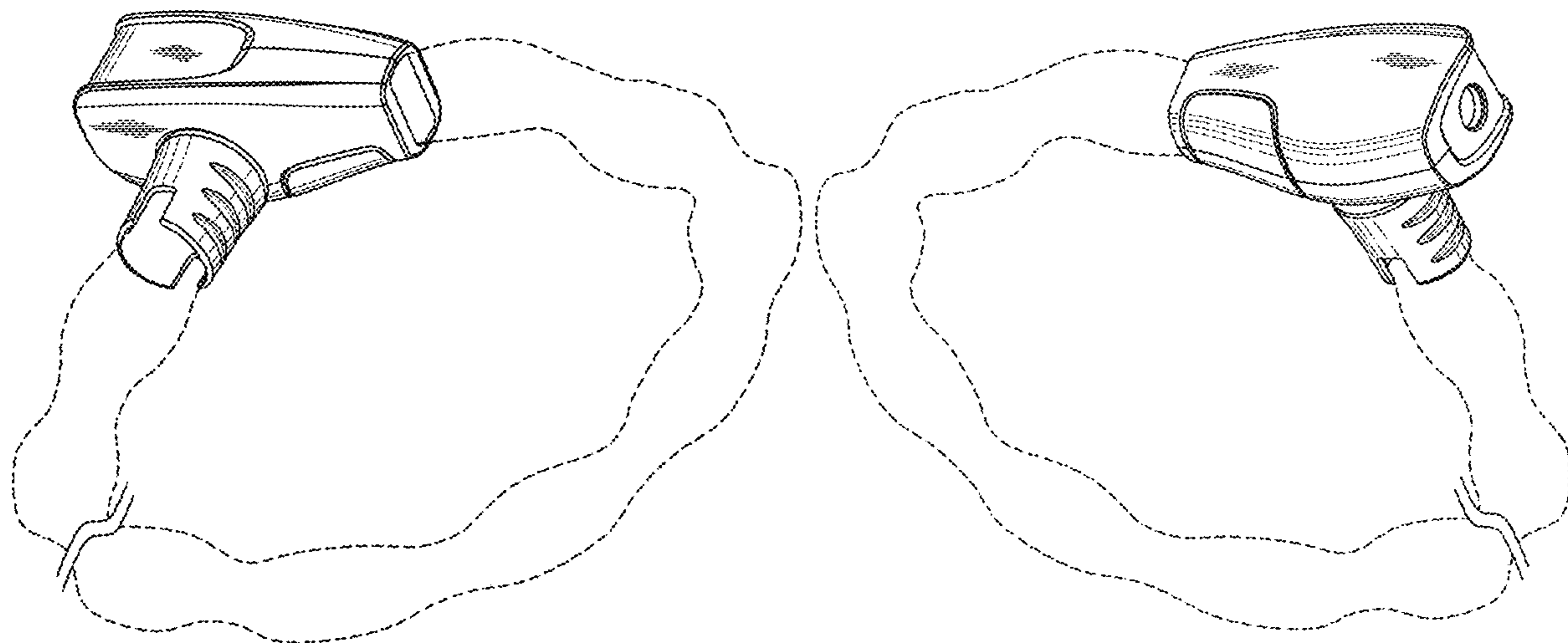
FIG. 14 is a rear elevational side view of the lock of FIG. 9;

FIG. 15 is a bottom plan view of the lock of FIG. 9; and,

FIG. 16 is a front bottom left side perspective view of the lock of FIG. 9.

The broken lines show components that form no part of the claimed design.

1 Claim, 12 Drawing Sheets



US D907,459 S

Page 2

(58) **Field of Classification Search**

USPC 70/158, 224, 226, 431, 465, 30, 303 R,
70/49, 386; 292/299, 307 R; 24/16 R,
24/17 B, 599.5, 599.9, 599.1
CPC E05B 69/003; E05B 71/00; E05B 73/005;
E05B 17/142; E05B 37/0068; E05B
37/025; E05B 37/08; E05B 67/063; E05B
67/22; E05B 67/24; E05B 67/28; E05B
67/32; E05B 67/36; E05B 67/365; E05B
67/38; E05B 67/383; E05B 37/004; E05B
17/443; E05B 19/18; E05B 19/188; E05B
73/0005; E05B 15/1614; E05B 67/003;
E05B 37/0031; E05B 37/02; E05B 69/00;
E05B 67/06; E05B 73/00; E05B 37/00;
E05B 65/52; E05B 73/0082; B62H 5/001;
E05C 17/443; E05C 19/18; E05C 19/188;
F16B 7/10; F16B 45/02; B60R 25/08;
A01K 27/003; Y10S 24/35

See application file for complete search history.

(56) **References Cited**

U.S. PATENT DOCUMENTS

5,829,280 A * 11/1998 Chen E05B 67/003
70/49
D448,648 S * 10/2001 Bremicker D8/331
D557,105 S * 12/2007 Lu D8/331
D649,862 S * 12/2011 Arvinte D8/339
D670,994 S * 11/2012 Wu D8/343
D787,300 S * 5/2017 Ocklenburg D8/331
D790,954 S 7/2017 Ocklenburg
D817,739 S 5/2018 Ocklenburg
D817,740 S 5/2018 Ocklenburg
D837,035 S * 1/2019 Zhu D8/331

D865,484 S * 11/2019 Zhu D8/334
2012/0227448 A1 * 9/2012 Su E05B 73/0082
70/58
2013/0033817 A1 * 2/2013 Wu E05B 73/0082
361/679.58
2018/0058106 A1 * 3/2018 Holmes E05B 15/1614

FOREIGN PATENT DOCUMENTS

CN	301316632	*	3/2010
CN	302348603	*	11/2012
CN	304002572	*	4/2016
CN	305085377	*	10/2018
CN	305799041	*	12/2019
EM	000075502-0002		1/2004
EM	000075502-0004		1/2004
EM	002113266-0005		10/2012
EM	004040087-0001		6/2017
EM	004040087-0002		6/2017
EM	002846501-0002		2/2018
EM	002846501-0005		2/2018

OTHER PUBLICATIONS

Kryptonite, Kryptoflex 1218 Key Cable Bicycle Lock with Transit FlexFrame Bracket, 1/2Inch x 6-Foot, Date first available Aug. 7 2012, [online]retrieved Sep. 2, 2020, available from internet, www.amazon.com (Year: 2012).*

Kryptonite, Kryptoflex 1518 Key Cable Bicycle Lock, Date first available Jun. 30, 2012, [online]retrieved Sep. 2, 2020, available from internet, www.amazon.com (Year: 2012).*

Abus, City Chain X-Plus 1060 110cm Bike Lock, Date first available Jul. 1, 2018, [online]retrieved Sep. 2, 2020, available from internet, www.amazon.com (Year: 2018).*

* cited by examiner

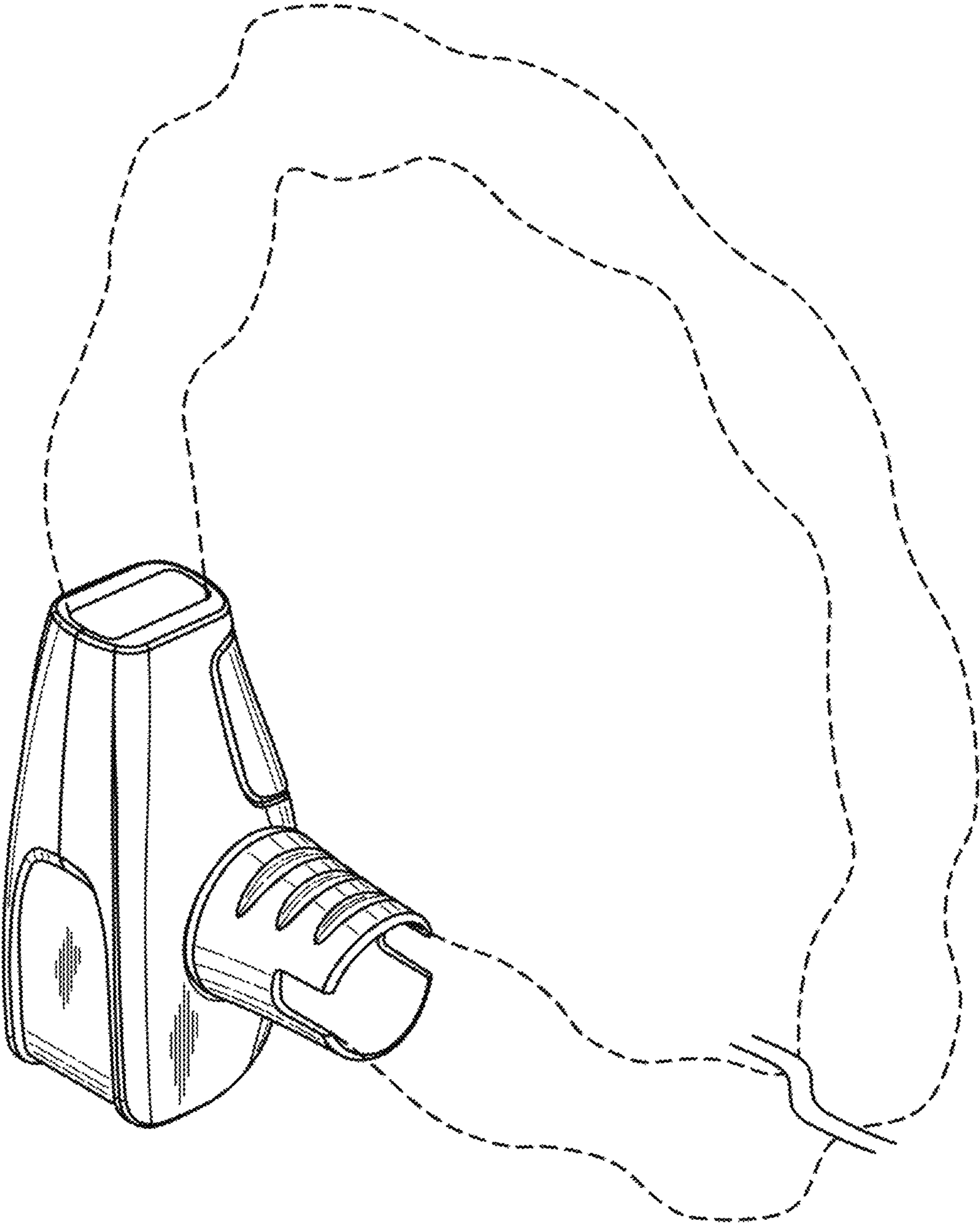


FIG. 1

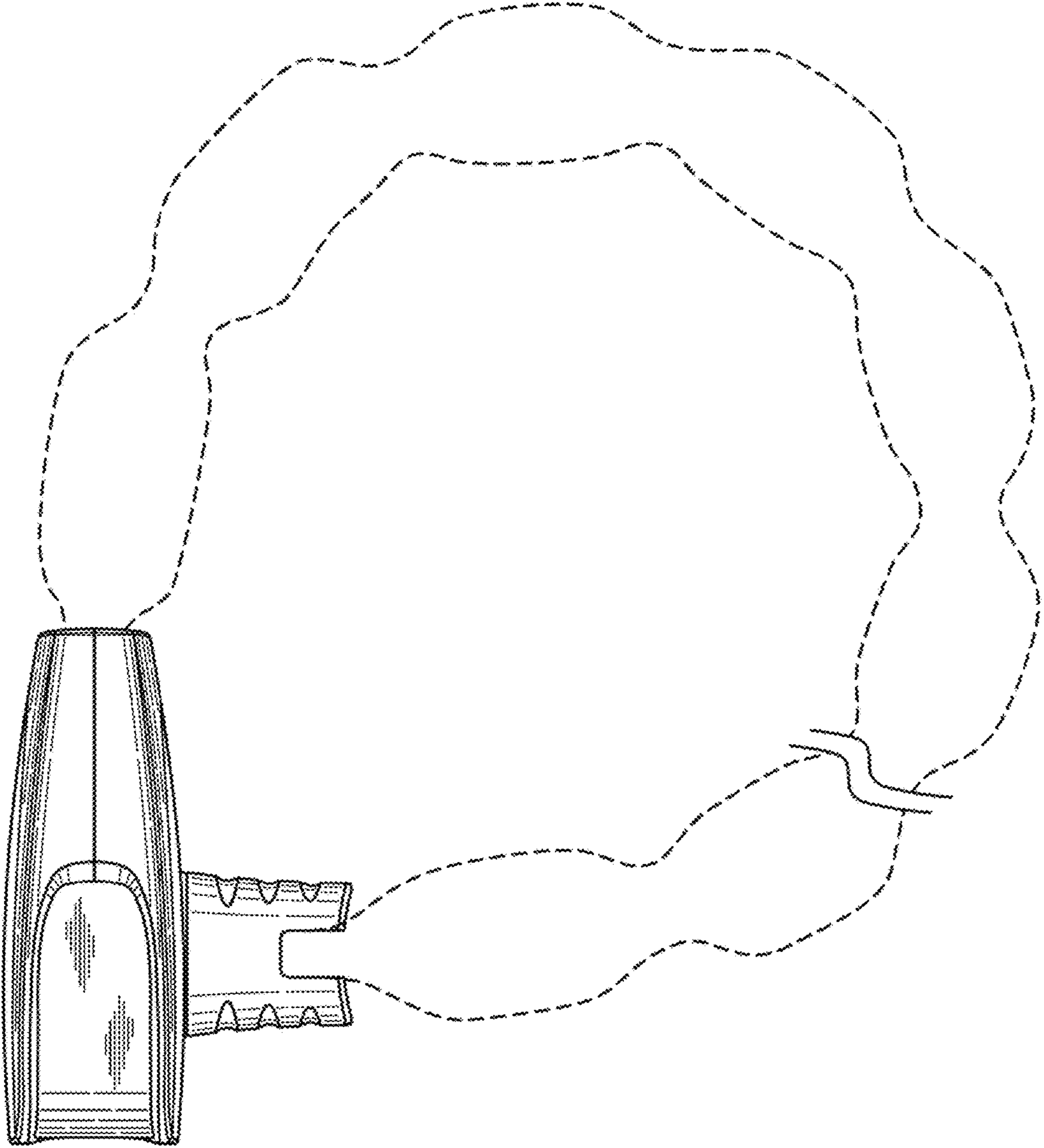


FIG. 2

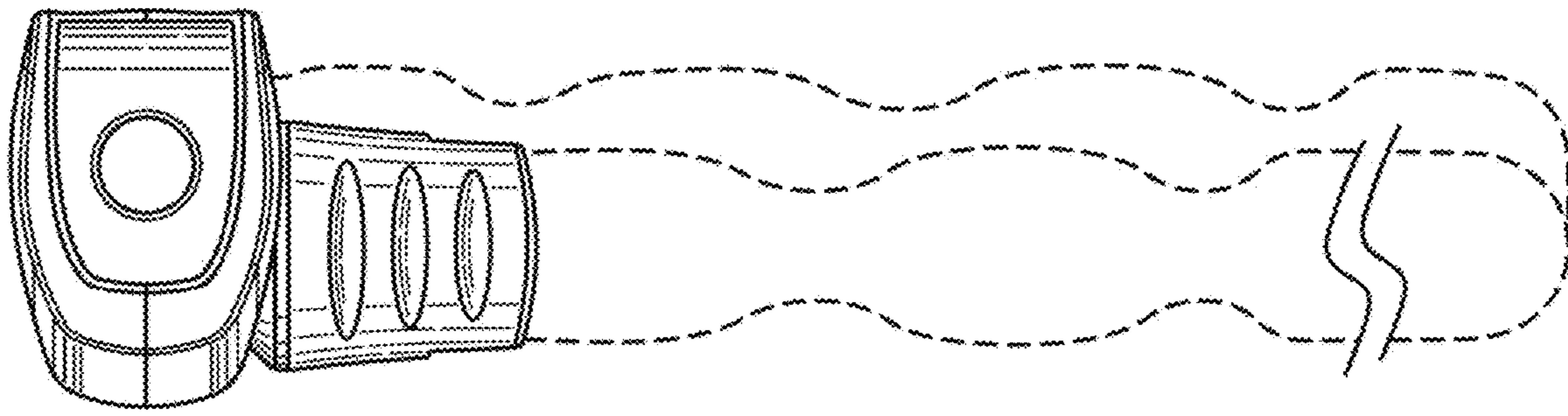


FIG. 3

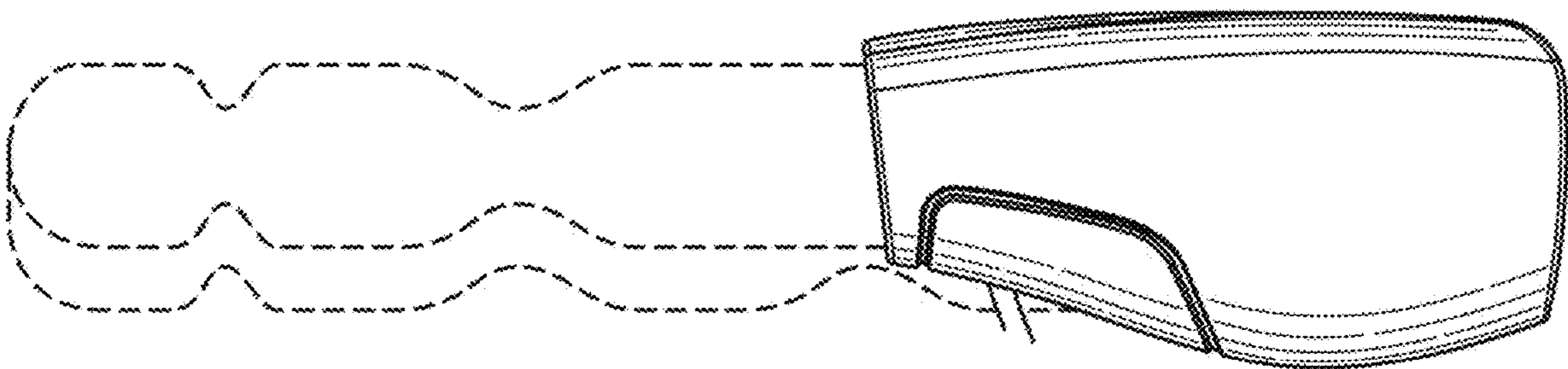


FIG. 4

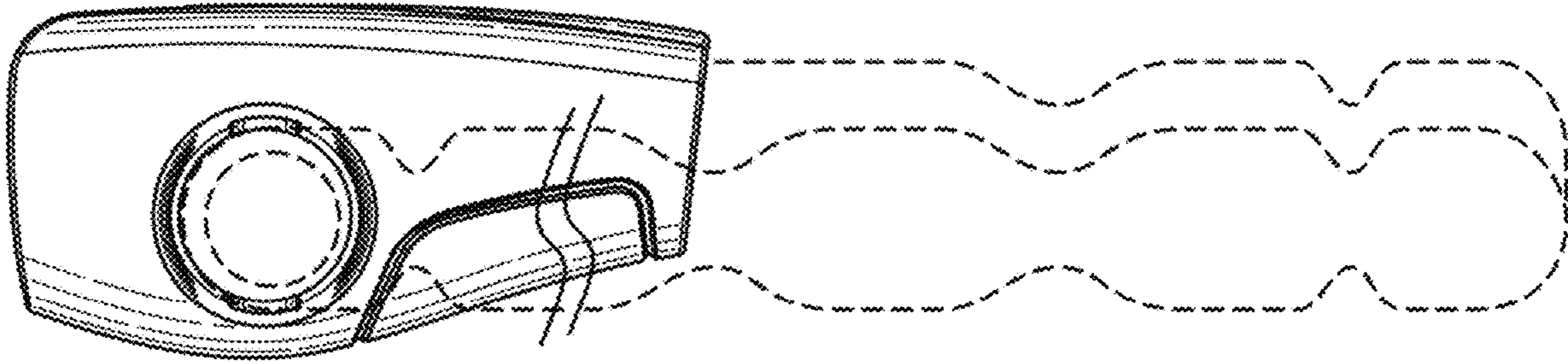


FIG. 5

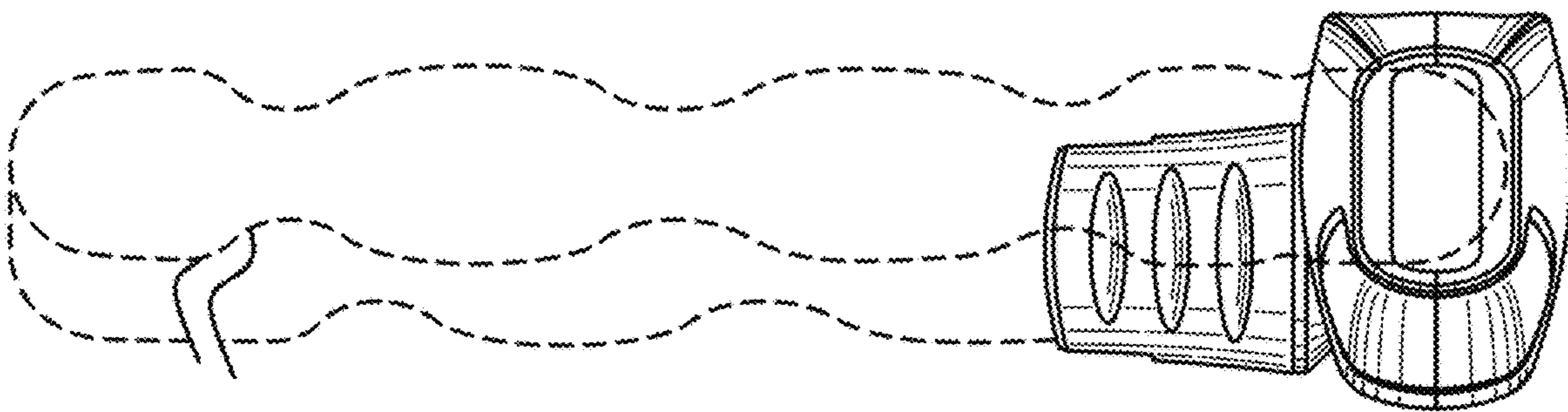


FIG. 6

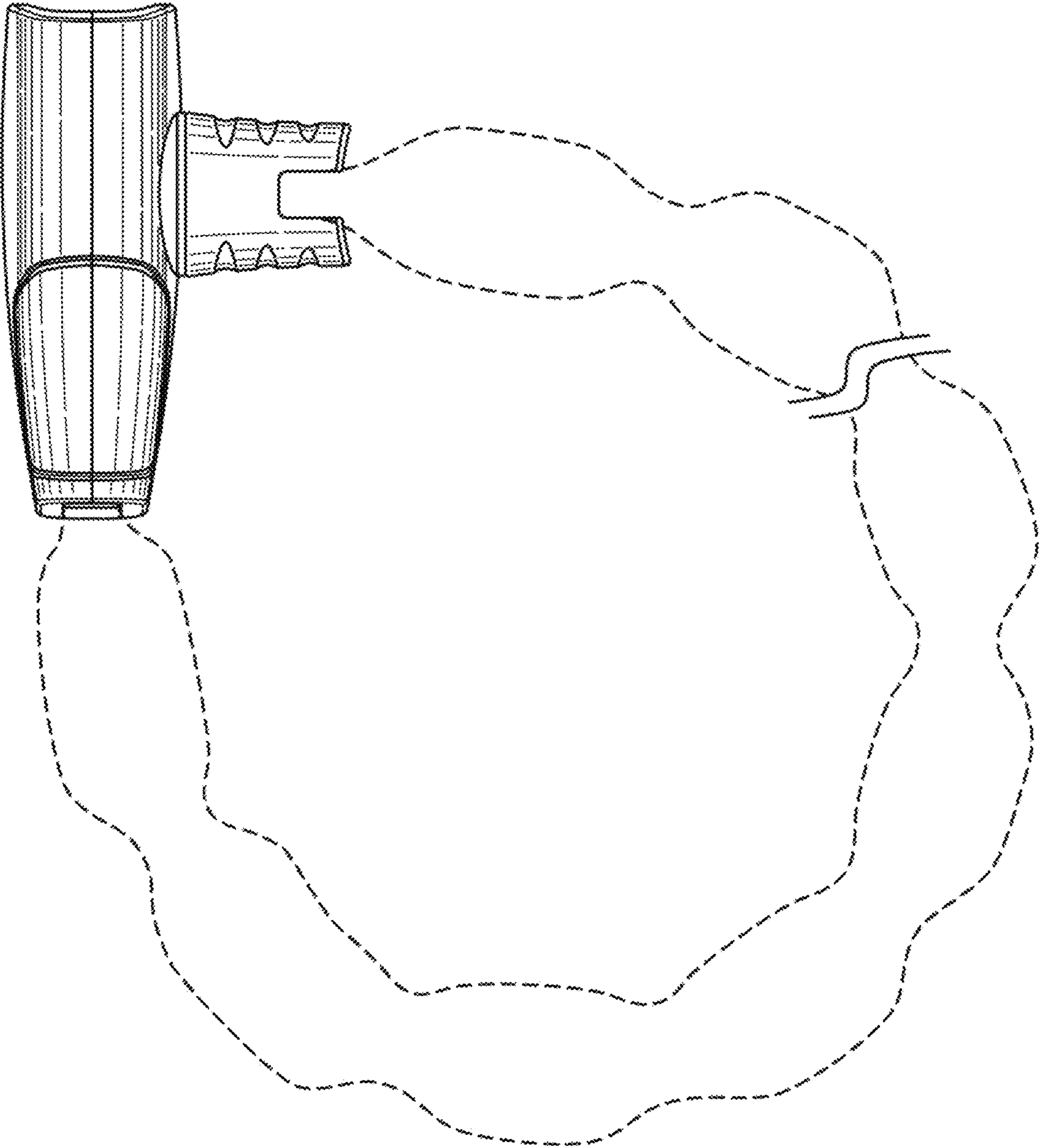


FIG. 7

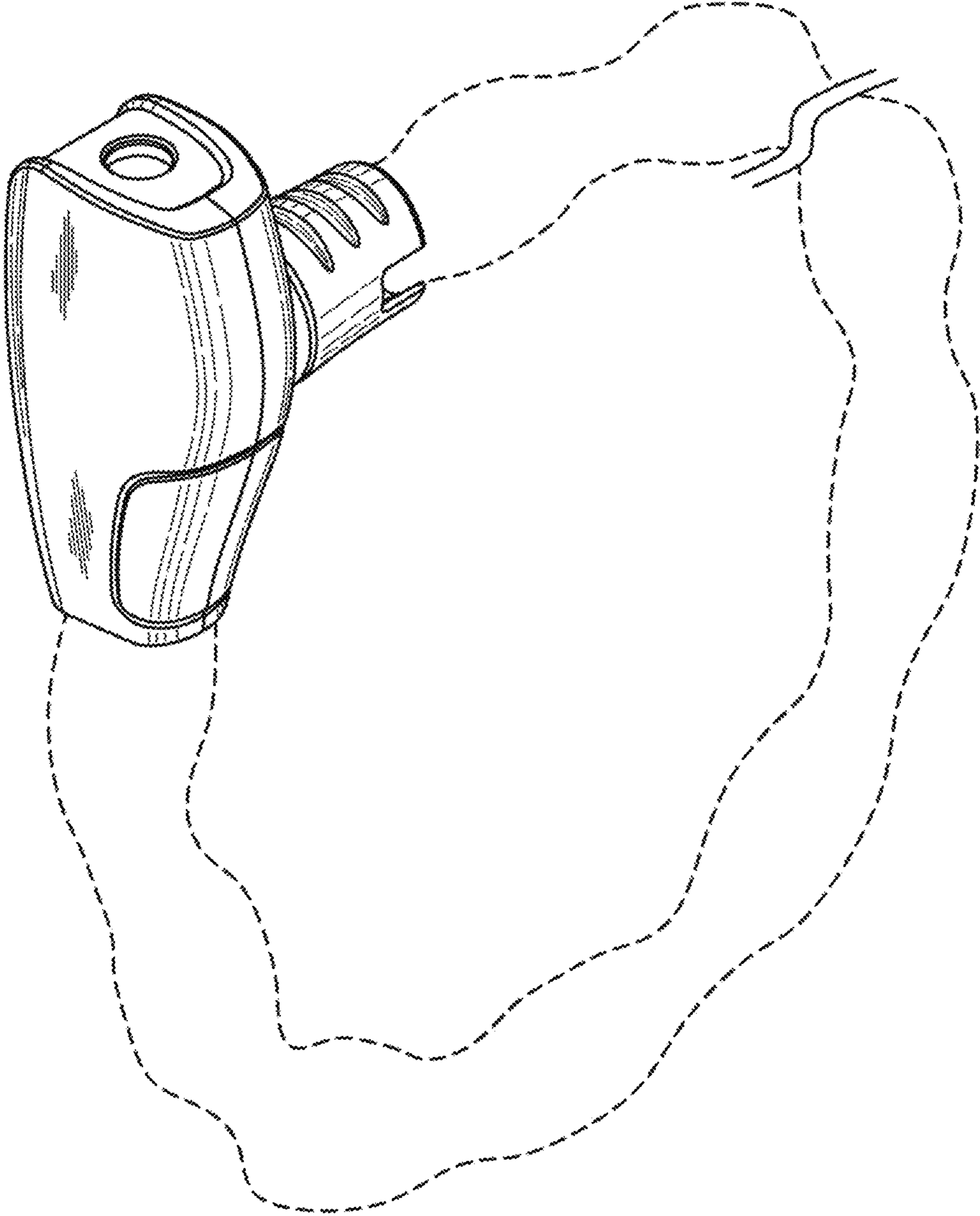


FIG. 8

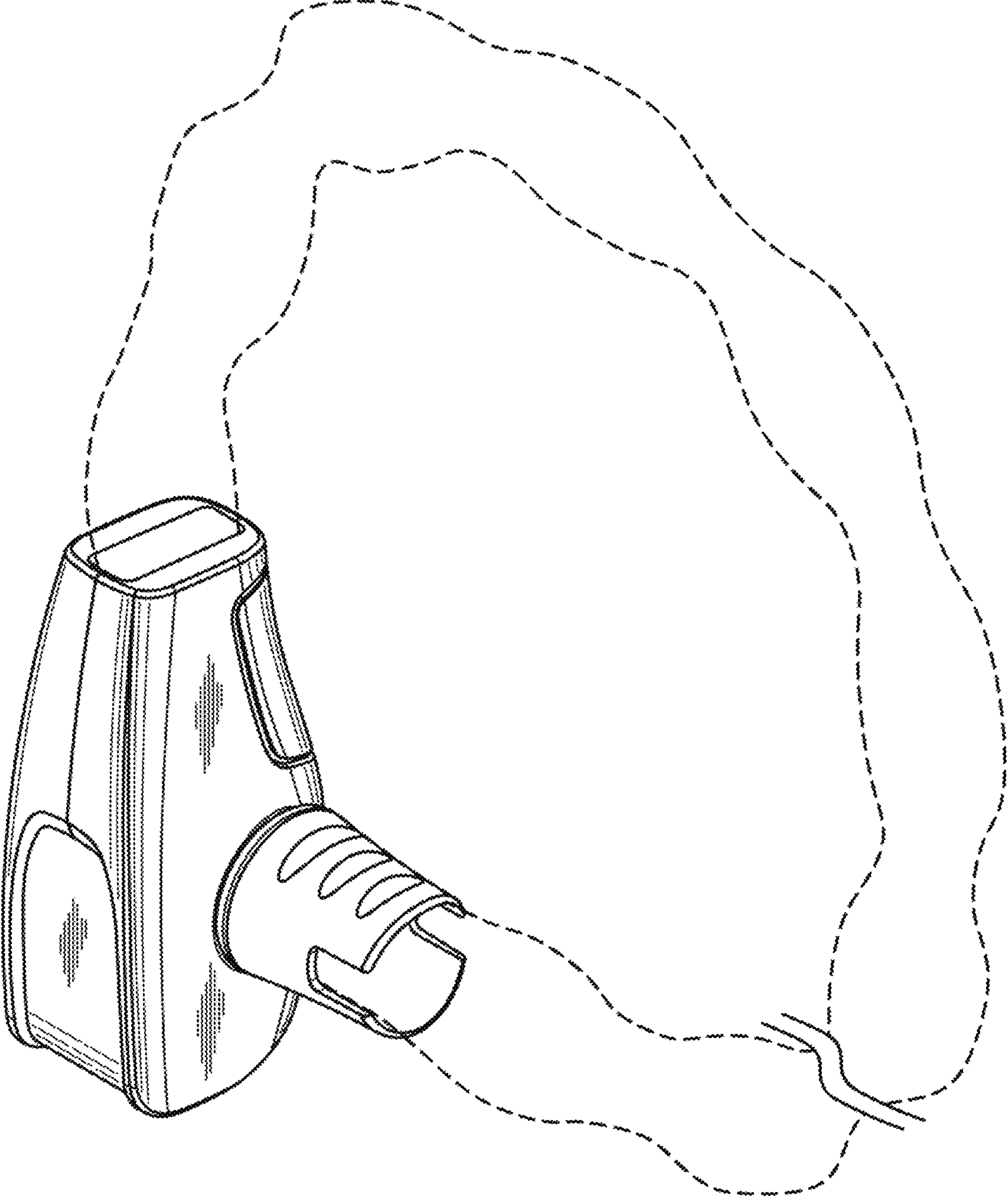


FIG. 9

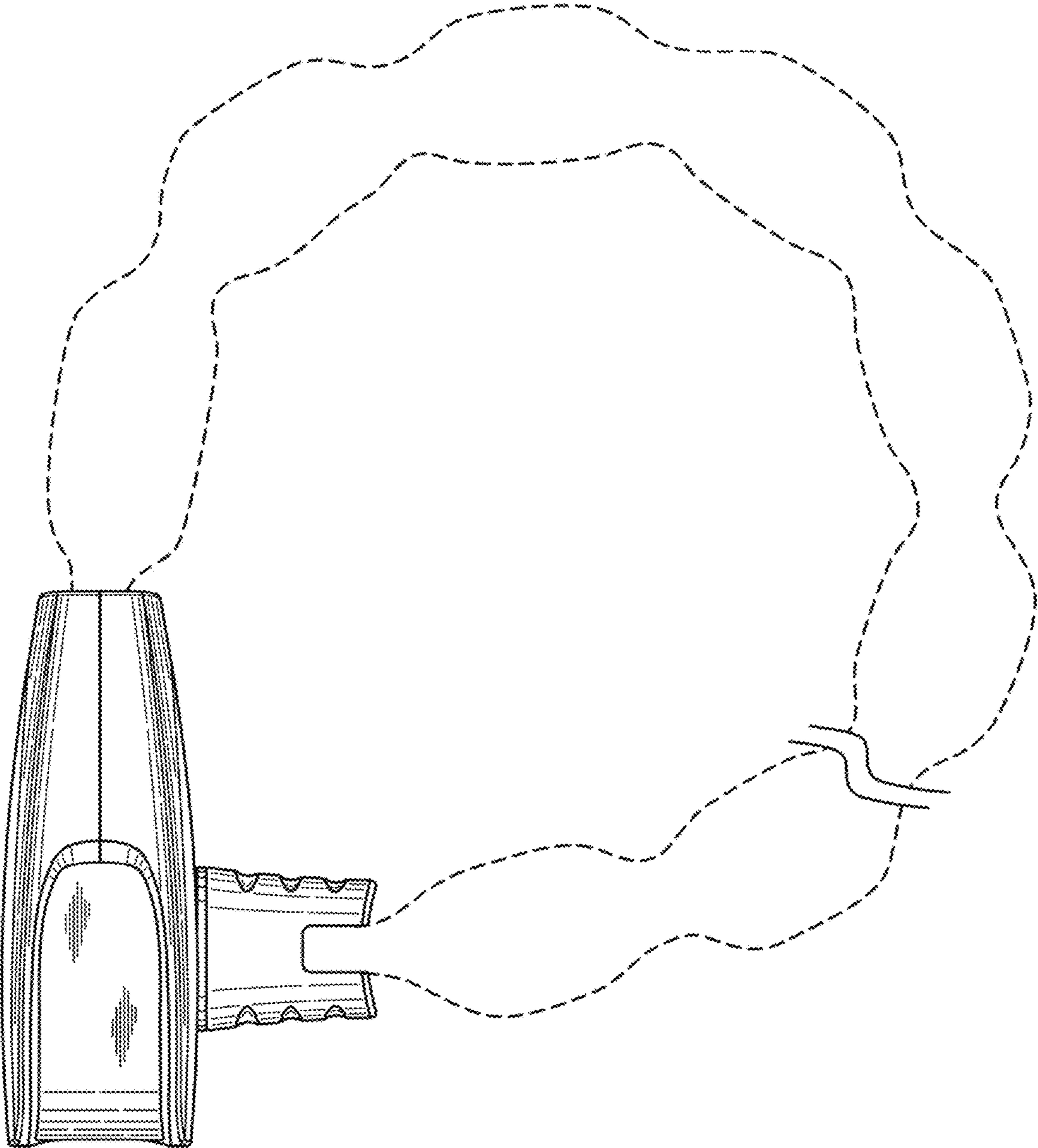


FIG. 10

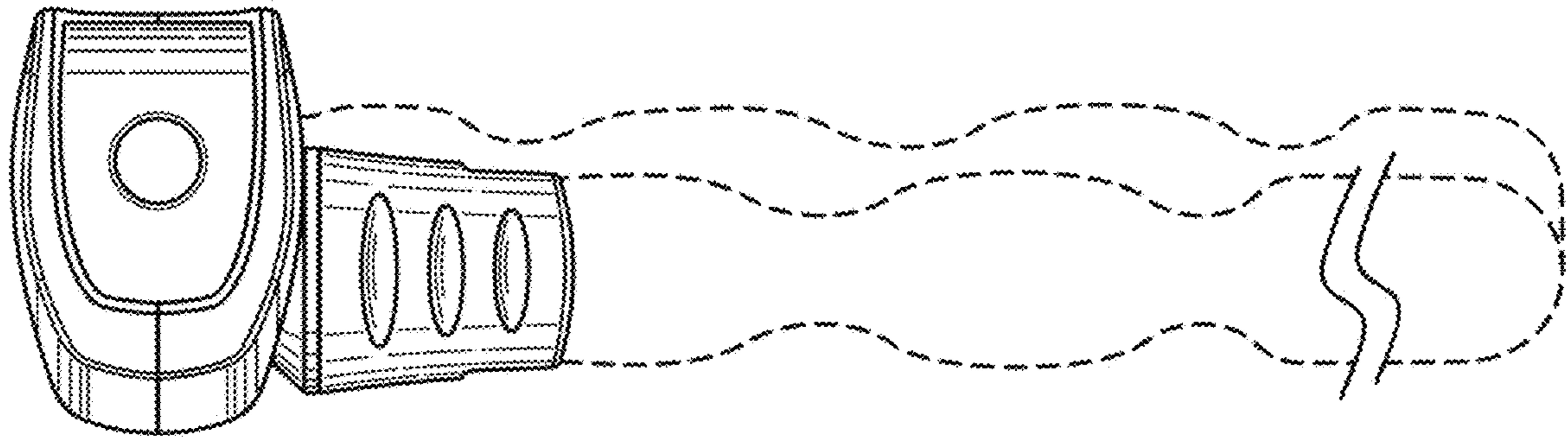


FIG. 11

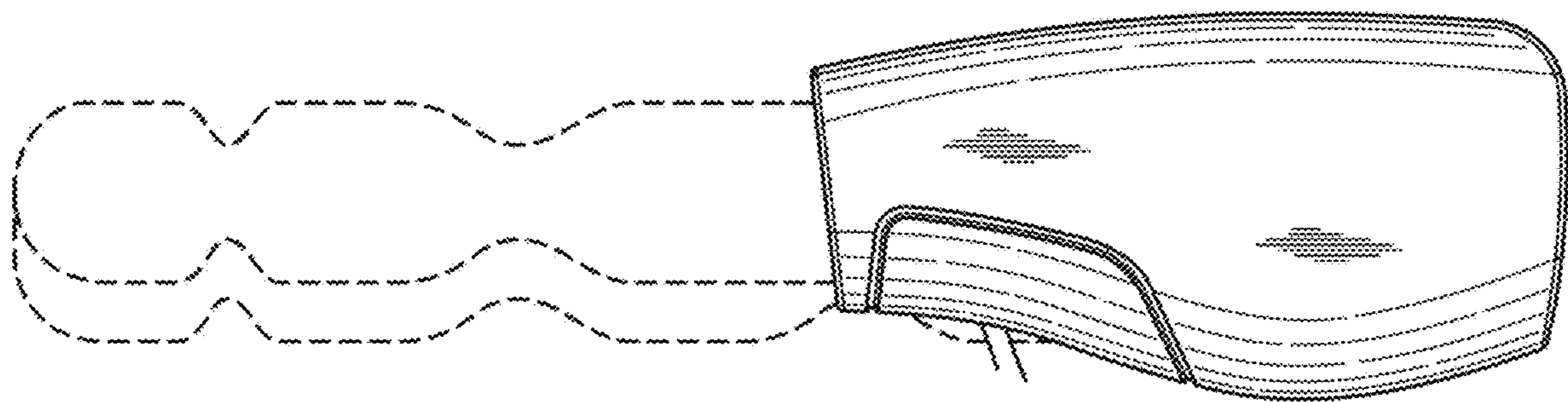


FIG. 12

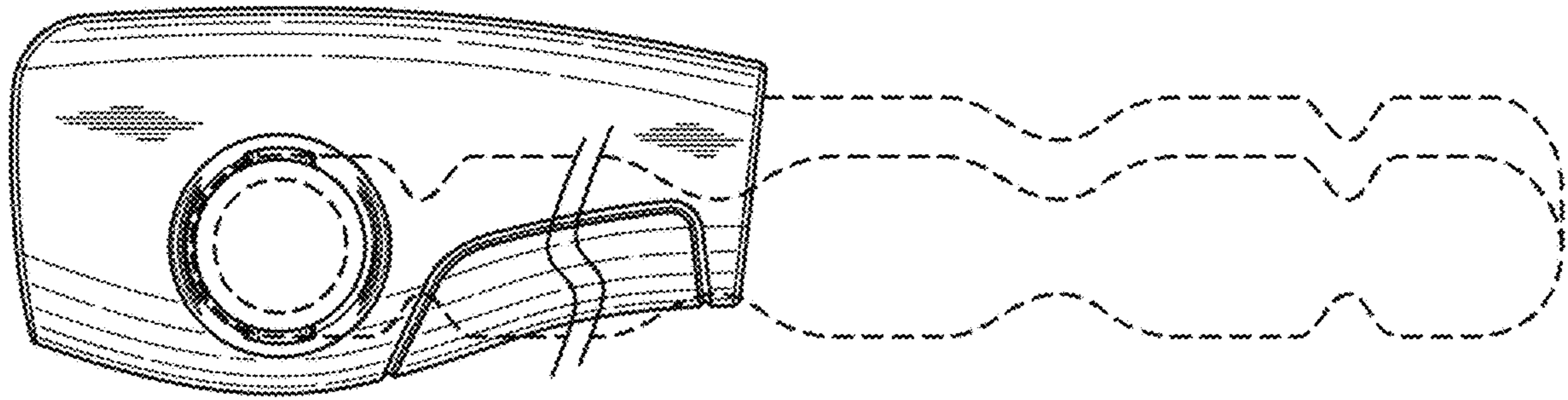


FIG. 13

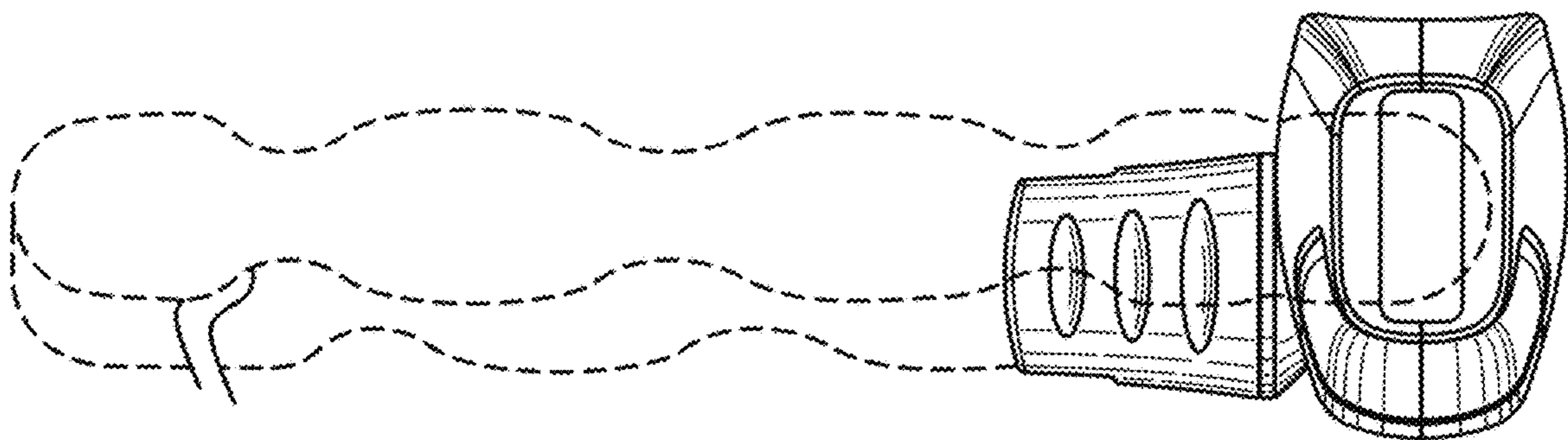


FIG. 14

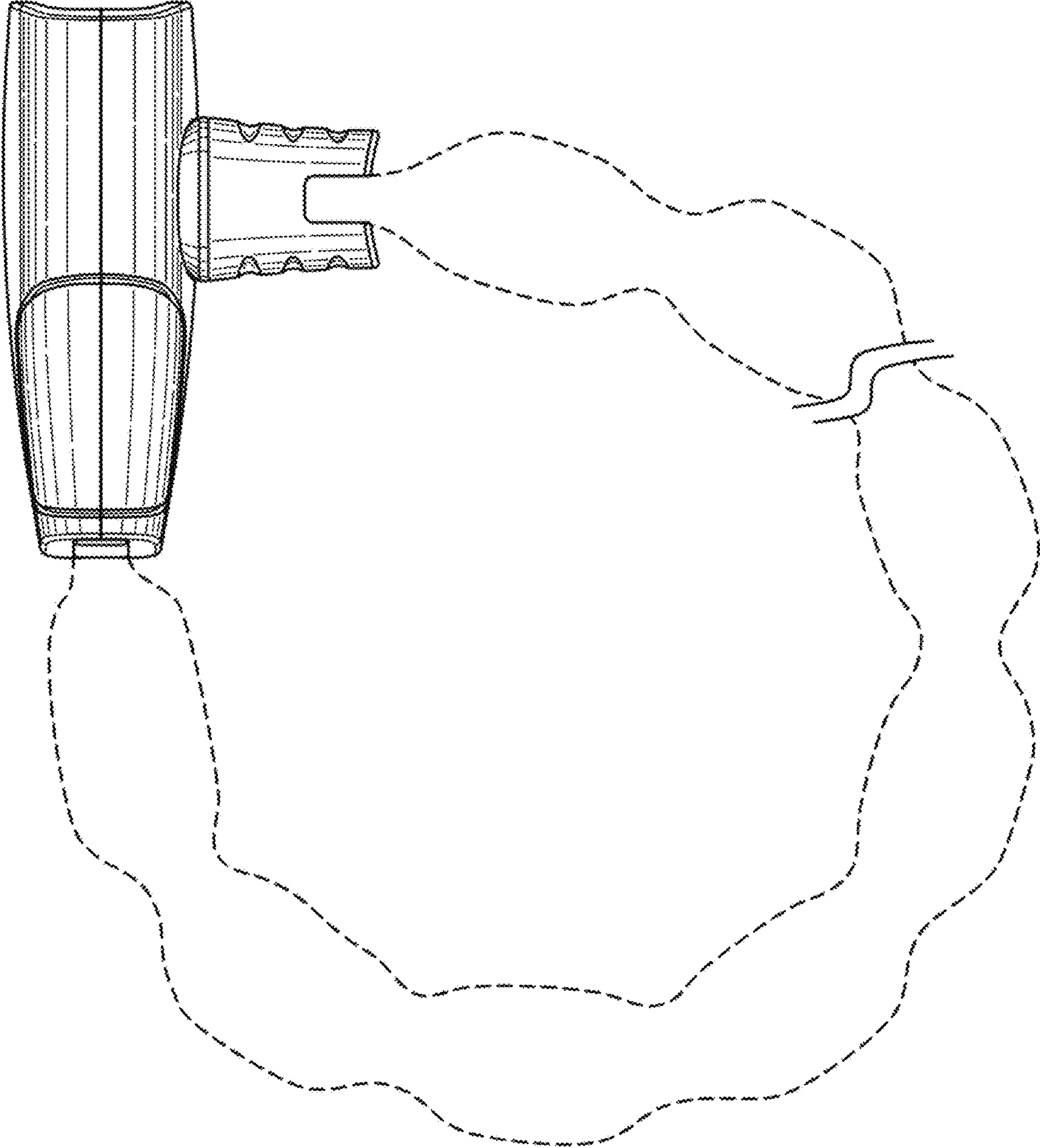


FIG. 15

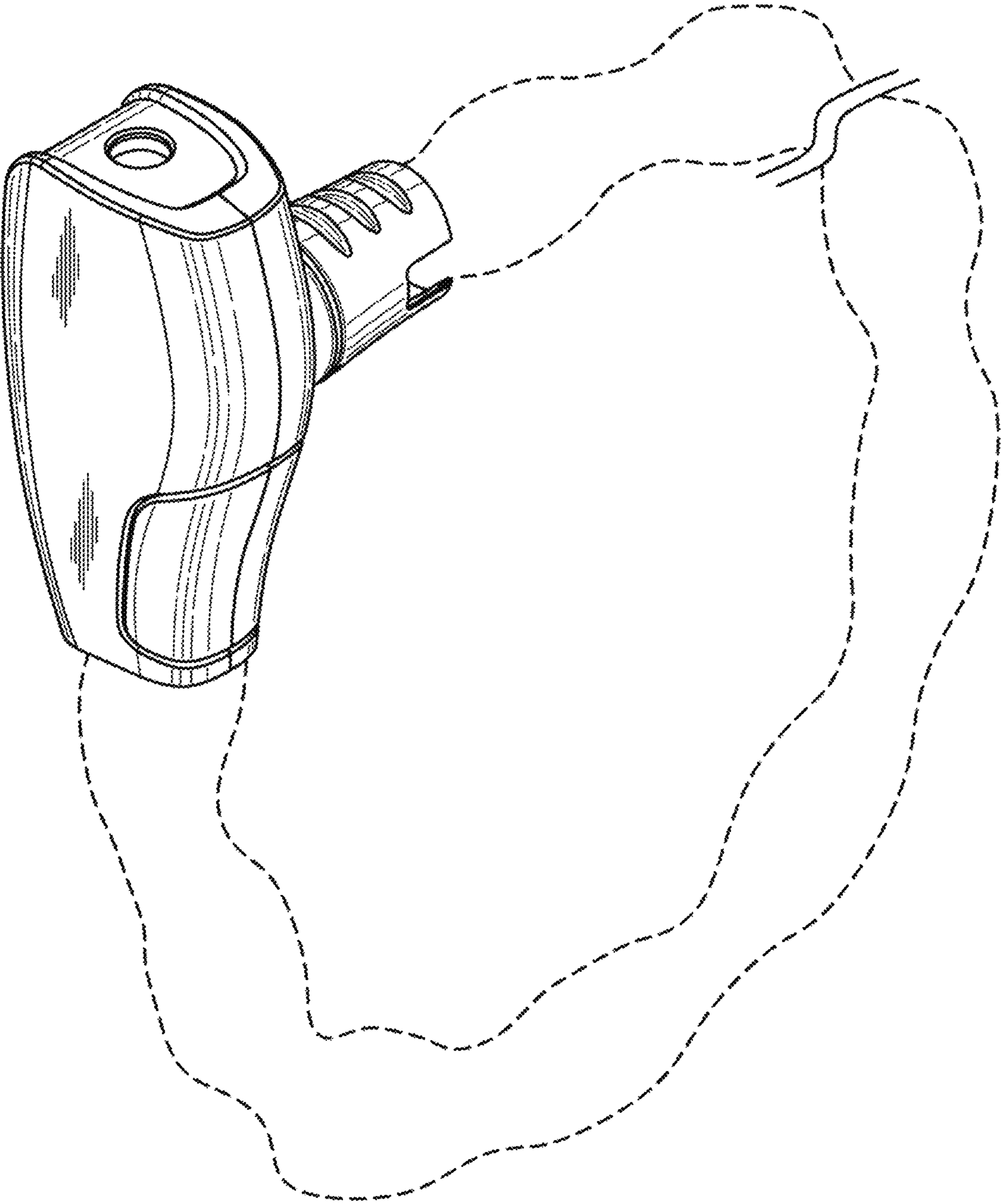


FIG. 16