



US00D907457S

(12) **United States Design Patent**  
**Dobashi**

(10) **Patent No.:** **US D907,457 S**  
(45) **Date of Patent:** **\*\* Jan. 12, 2021**

(54) **CONTROL LEVER FOR A POWER TOOL**

(71) Applicant: **Ogura & Co., Ltd.**, Ebina (JP)

(72) Inventor: **Keita Dobashi**, Ebina (JP)

(73) Assignee: **OGURA & CO., LTD.**, Kanagawa (JP)

(\*\*) Term: **15 Years**

(21) Appl. No.: **29/699,045**

(22) Filed: **Jul. 23, 2019**

(51) **LOC (13) Cl.** ..... **08-05**

(52) **U.S. Cl.**  
USPC ..... **D8/70**

(58) **Field of Classification Search**  
USPC .... D8/12, 61, 68, 70, 71, 72, 74-77, 80, 83,  
D8/94, 98, 99, 101, 102, 104, 105, 107,  
D8/300, 303, 307; D21/568, 756, 757;  
D22/117, 118  
CPC ..... B23D 29/005; B23D 29/02; B25F 3/00;  
B26B 15/00; B25D 16/006; B24B 55/052  
See application file for complete search history.

(56) **References Cited**

**U.S. PATENT DOCUMENTS**

4,683,682	A *	8/1987	Pennison	.....	B24B 55/052
					192/135
D472,448	S *	4/2003	Fields	.....	D8/305
D472,947	S *	4/2003	Wu	.....	D21/694
D484,386	S *	12/2003	Thomas	.....	D8/310
6,691,796	B1 *	2/2004	Wu	.....	B25D 16/006
					173/109
7,823,256	B2 *	11/2010	Engelfried	.....	B25F 5/026
					16/426
8,407,860	B2 *	4/2013	Brennenstuhl	.....	B25F 5/026
					16/426
8,430,183	B2 *	4/2013	Di Nicolantonio	.....	B25F 5/006
					173/162.2
8,800,412	B2 *	8/2014	Griffin	.....	F16B 2/08
					81/491
D724,927	S *	3/2015	Fisher	.....	D8/107

9,180,586	B2 *	11/2015	Nemetz	.....	B25F 5/026
9,387,579	B2 *	7/2016	Johnson	.....	B25G 3/28
D788,560	S *	6/2017	Fisher	.....	D8/70
9,868,201	B2 *	1/2018	Kamiya	.....	B25F 5/026
D832,069	S *	10/2018	Nix	.....	D8/70
10,272,559	B2 *	4/2019	Friedrich	.....	B25F 5/006
10,537,984	B2 *	1/2020	Steingruber	.....	B25F 5/026

(Continued)

*Primary Examiner* — Darlington Ly

(74) *Attorney, Agent, or Firm* — Andrew F. Young, Esq.;  
Nolte Lackenbach Siegel

(57) **CLAIM**

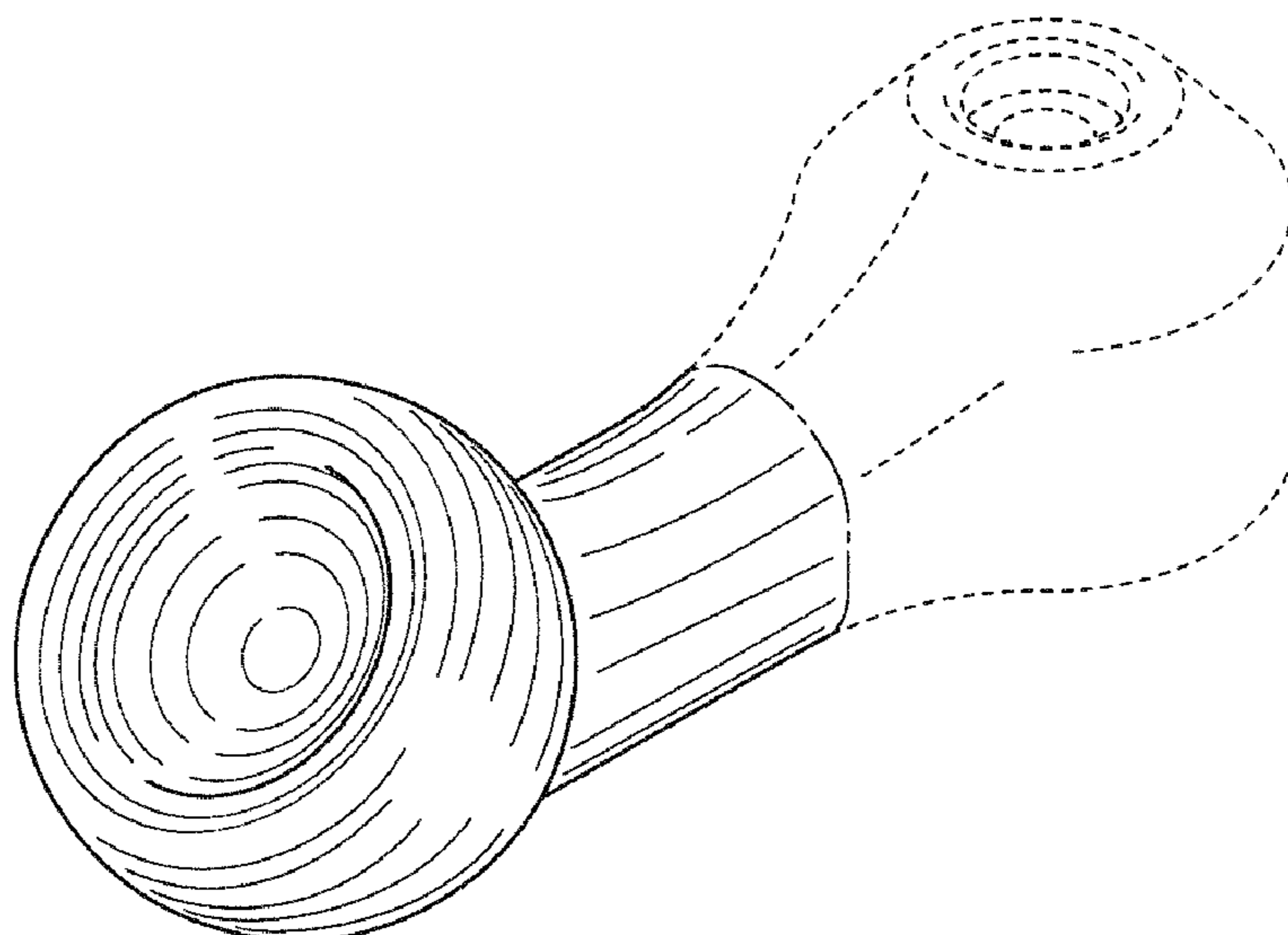
The ornamental design for a control lever for a power tool, as shown and described.

**DESCRIPTION**

FIG. 1 is a top and front perspective view of a control lever for a power tool embodying my new design; FIG. 2 is a bottom and rear perspective view thereof; FIG. 3 is a top plan view thereof; FIG. 4 is a bottom plan view thereof; FIG. 5 is a front elevation view thereof; FIG. 6 is a rear elevation view thereof; FIG. 7 is a left side elevation view thereof; FIG. 8 is a right side elevation view thereof; FIG. 9 is a cross-sectional view thereof taken along line 9-9 in FIG. 3; FIG. 10 is a cross-sectional view thereof taken alone line 10-10 in FIG. 5; and, FIG. 11 is a perspective view thereof as part of an exemplary power tool.

The even broken lines in the drawings illustrate portions of the control lever for a power tool and also an environmental power tool that form no part of the claimed design. The dash-dot broken lines illustrate boundaries of the claimed design.

**1 Claim, 11 Drawing Sheets**



(56)

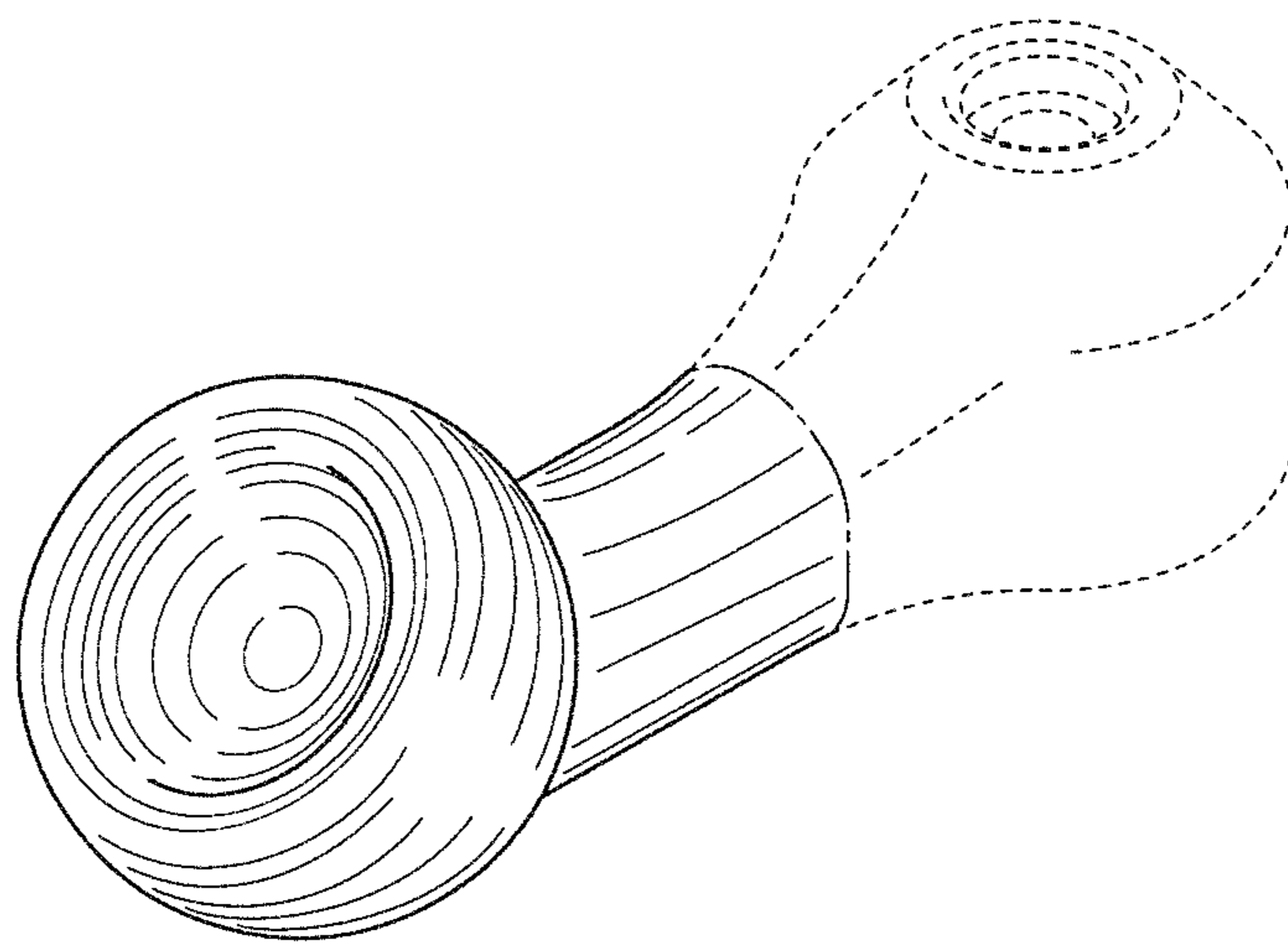
**References Cited**

U.S. PATENT DOCUMENTS

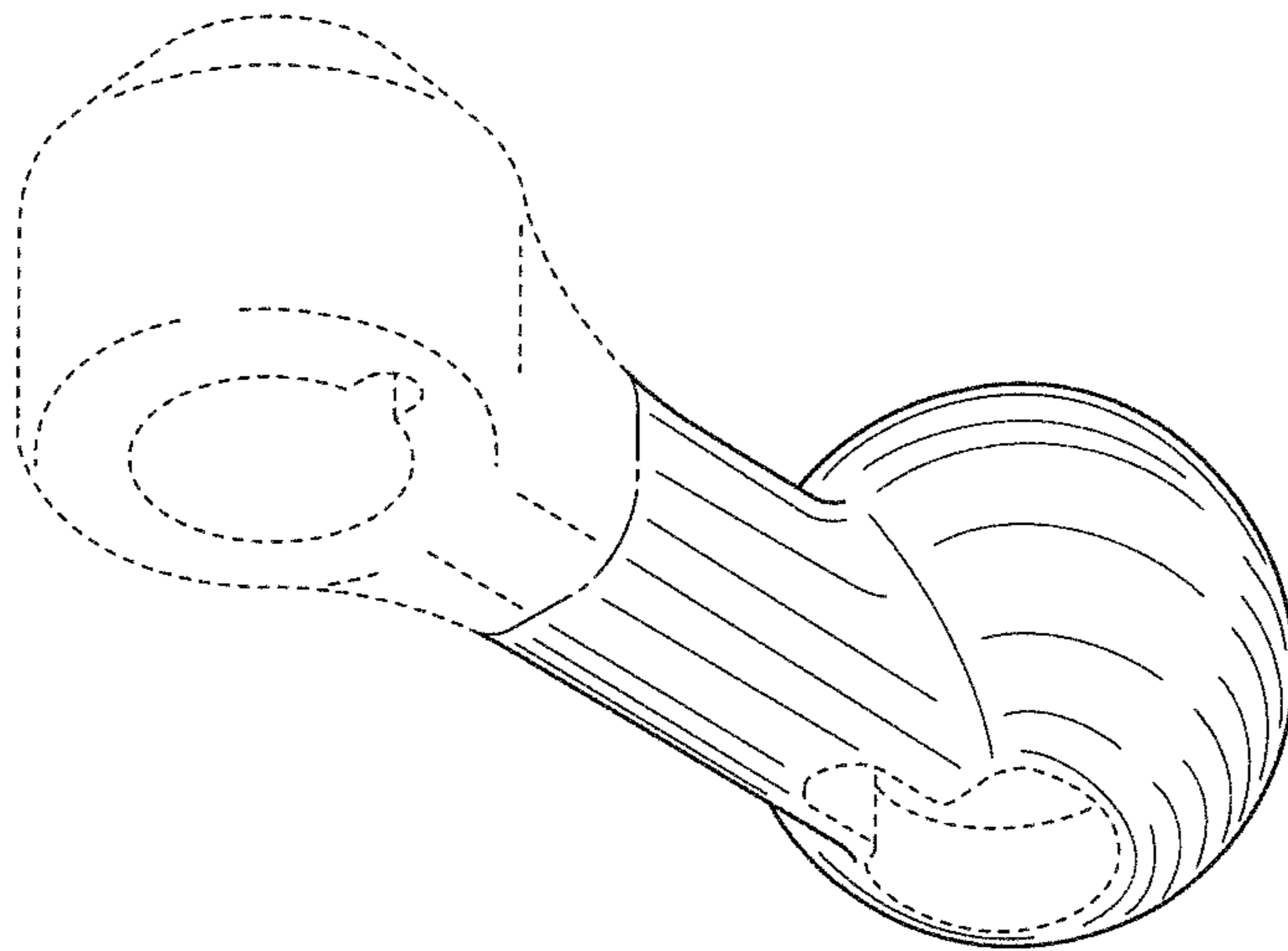
D874,238 S \* 2/2020 Nix ..... D8/70  
10,596,693 B2 \* 3/2020 Vasudeva ..... B25B 23/0078

\* cited by examiner

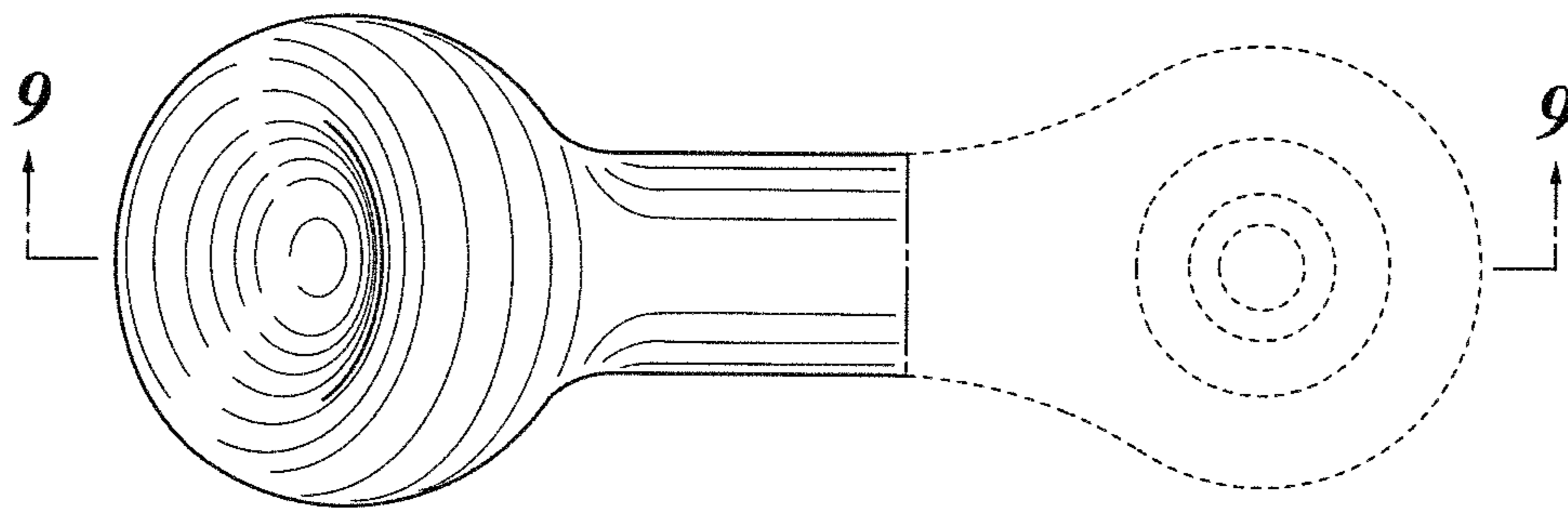
*FIG. 1*



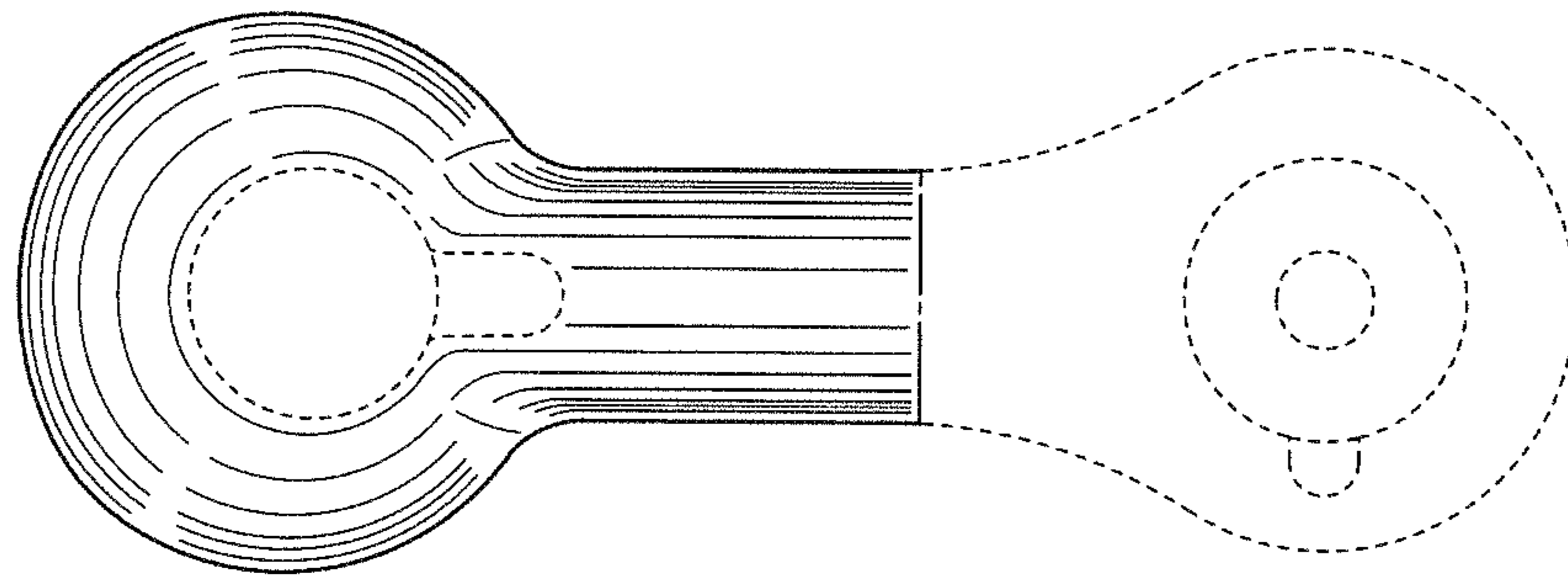
***FIG. 2***



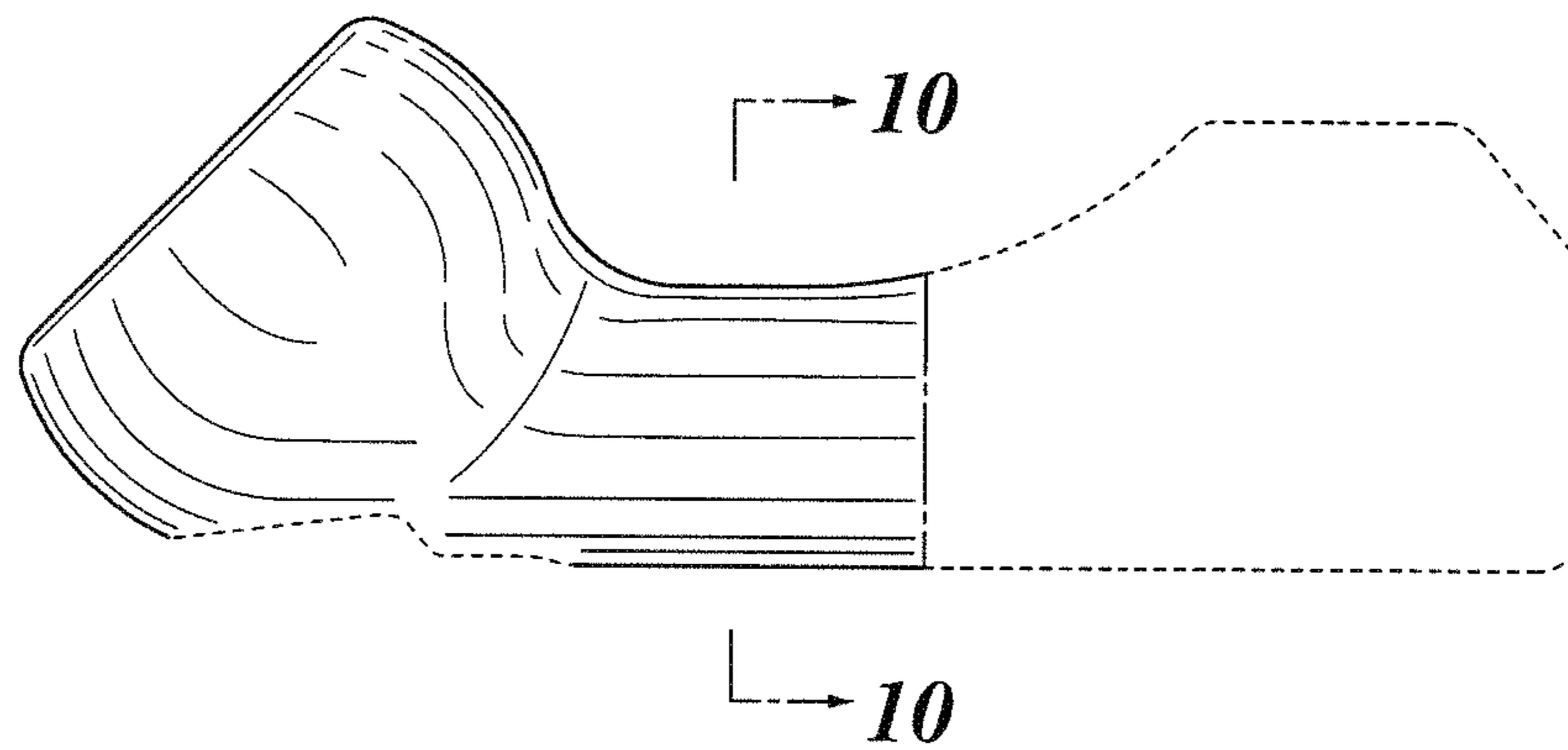
**FIG. 3**



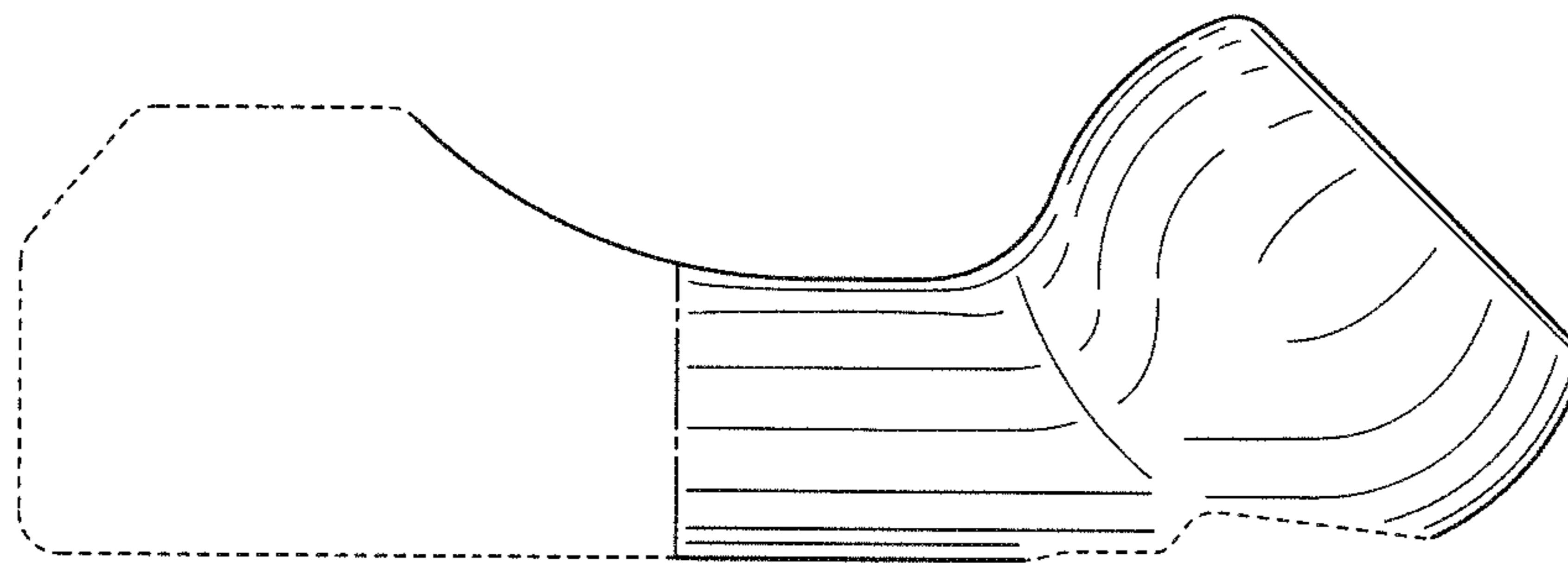
*FIG. 4*



**FIG. 5**

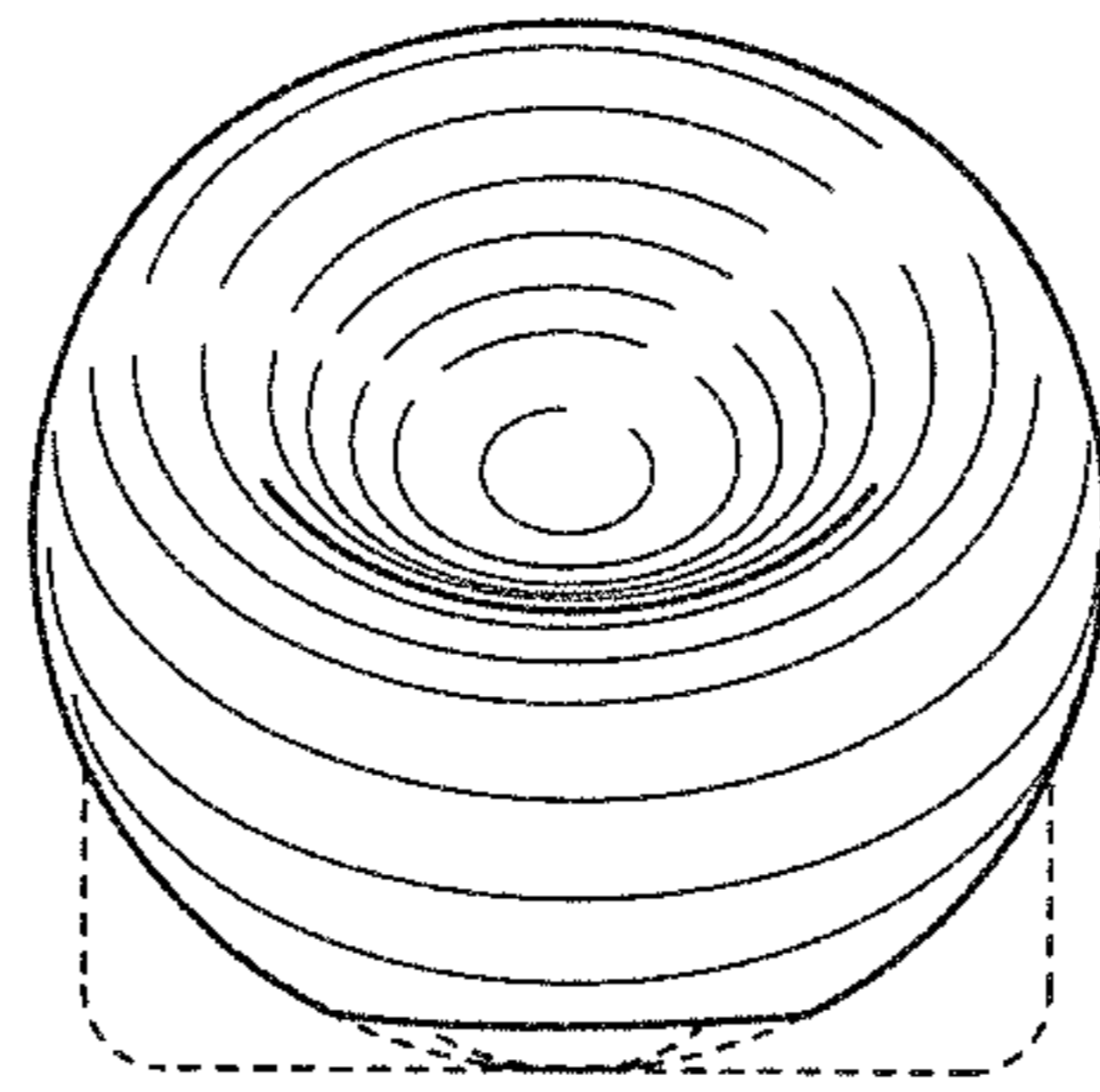


***FIG. 6***

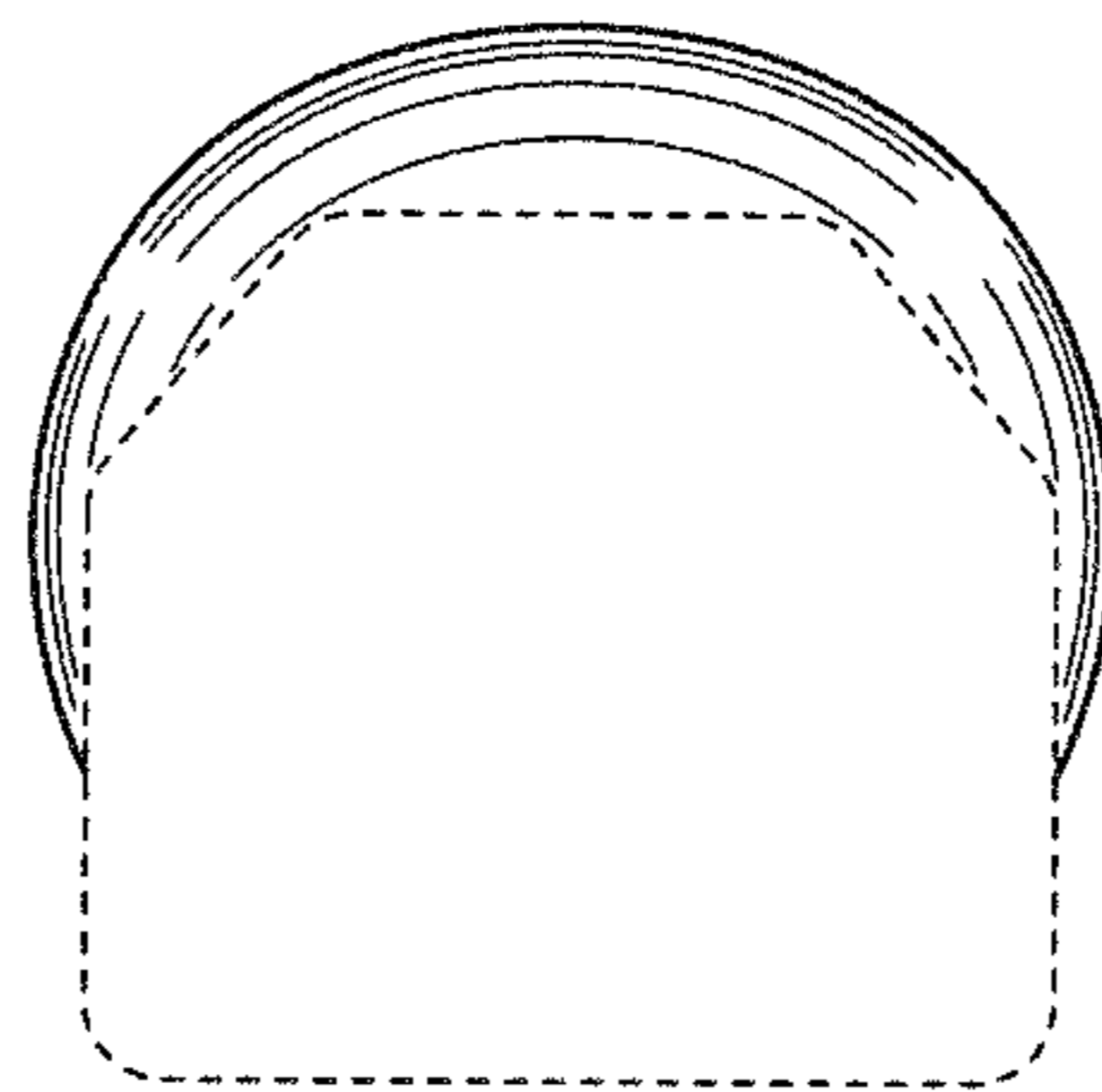




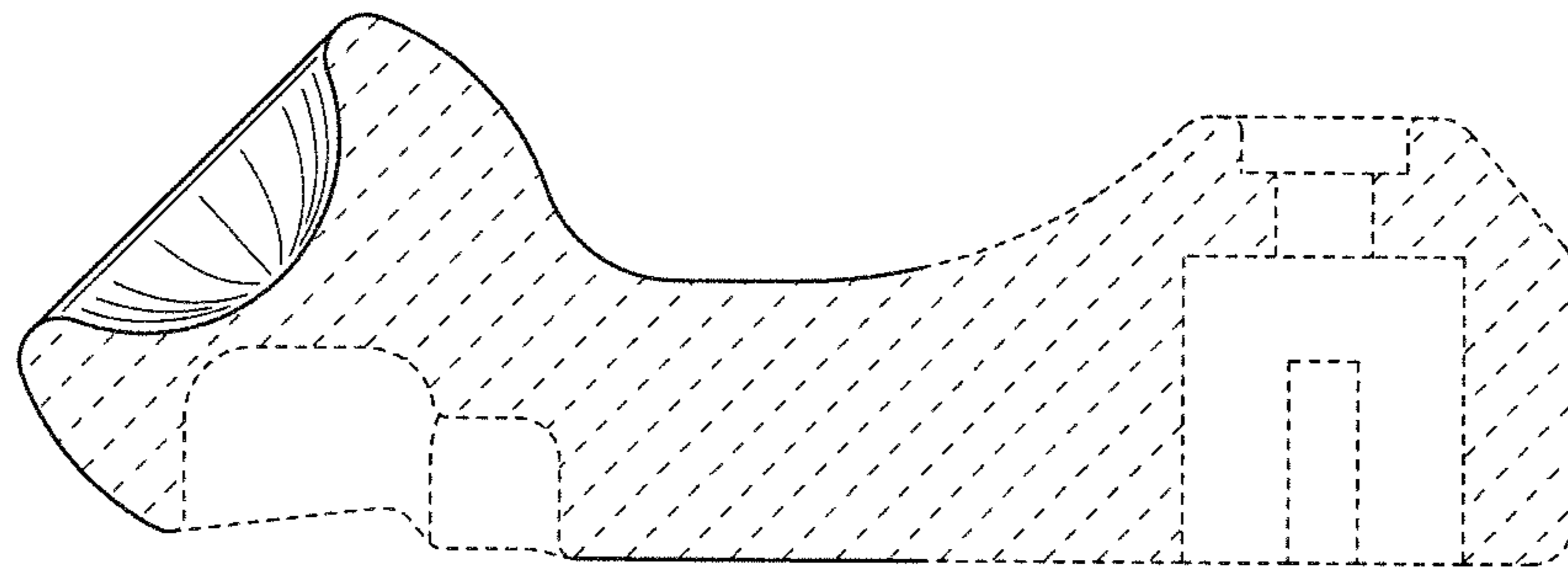
*FIG. 7*



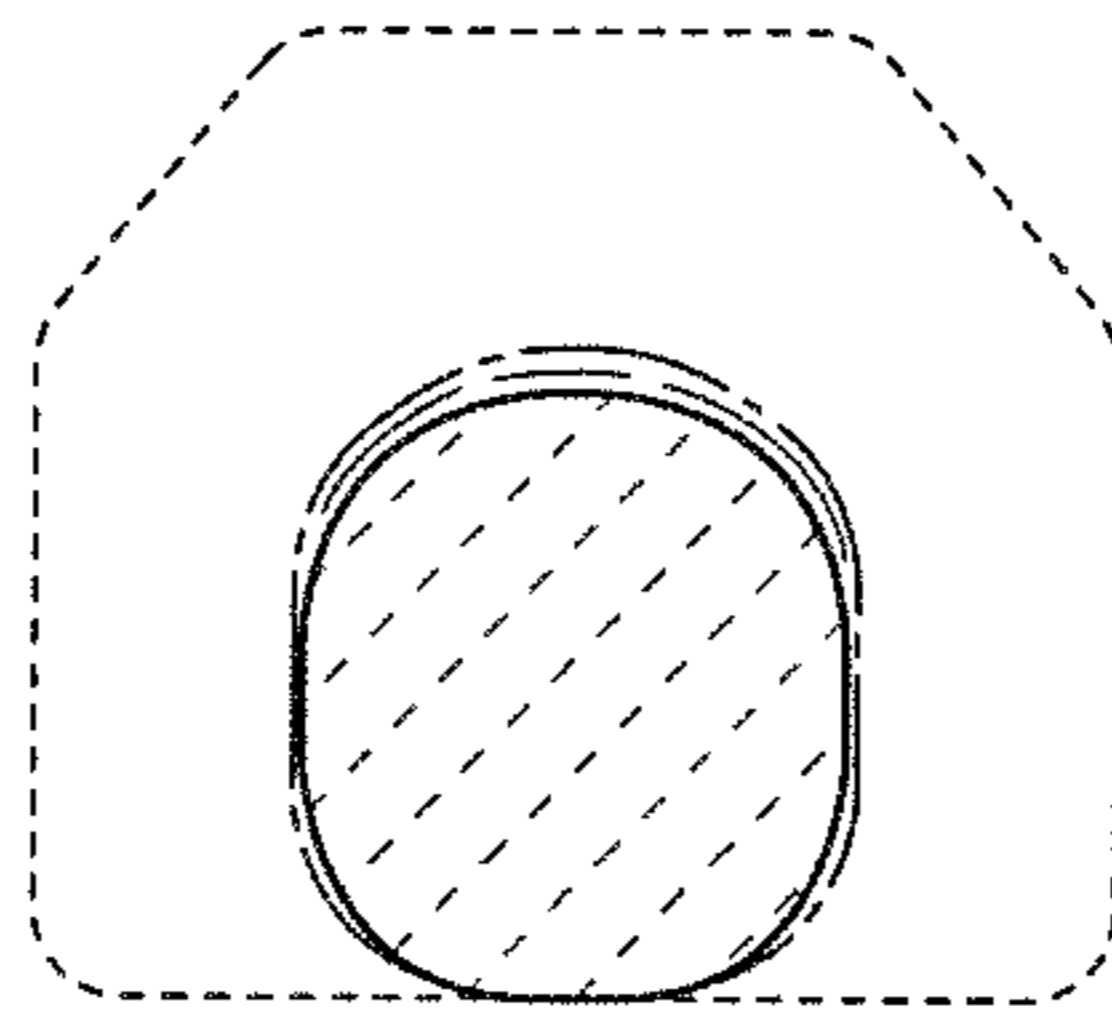
*FIG. 8*



*FIG. 9*



***FIG. 10***



**FIG. 11**

