

US00D907456S

(12) **United States Design Patent** (10) **Patent No.:** **US D907,456 S**  
**Diaz et al.** (45) **Date of Patent:** **\*\* Jan. 12, 2021**

(54) **RIGHT ANGLE DRILL ATTACHMENT**

2,620,840 A 12/1952 Schafer  
D170,466 S 9/1953 Keesling  
2,669,162 A 2/1954 Arliss  
2,780,942 A 2/1957 Babcock  
(Continued)

(71) Applicants: **Estefan A. Diaz**, South Beloit, IL (US);  
**James D. Walters**, Aurora, IL (US)

(72) Inventors: **Estefan A. Diaz**, South Beloit, IL (US);  
**James D. Walters**, Aurora, IL (US)

(73) Assignee: **Nomis LLC**, Palatine, IL (US)

(\*\*) Term: **15 Years**

(21) Appl. No.: **29/691,995**

(22) Filed: **May 21, 2019**

(51) **LOC (13) Cl.** ..... **08-03**

(52) **U.S. Cl.**  
USPC ..... **D8/70**

(58) **Field of Classification Search**  
USPC ..... D8/61, 62, 66-70; D4/102; D32/15, 17,  
D32/19  
CPC ..... B23B 45/003; B23B 45/008; B25F 3/00  
See application file for complete search history.

(56) **References Cited**

**U.S. PATENT DOCUMENTS**

1,379,880 A	5/1921	Seaborn
1,414,207 A	4/1922	Reed
1,525,091 A	2/1925	Savidge
1,688,410 A	10/1928	Chayes et al.
1,750,957 A	3/1930	Fowler
1,907,904 A	5/1933	Emburg et al.
2,155,082 A	4/1939	Decker
2,194,062 A	3/1940	Albertson et al.
2,262,706 A	11/1941	Benda
2,348,266 A	5/1944	Selby
2,465,309 A	3/1949	Happe et al.
2,545,659 A	3/1951	Ginter
2,553,416 A	5/1951	Koett
2,563,582 A	8/1951	Colucci et al.
2,589,822 A	3/1952	Kostka
2,604,795 A	7/1952	Ristow

**FOREIGN PATENT DOCUMENTS**

CN 1302712 7/2001  
CN 203185306 9/2013  
(Continued)

**OTHER PUBLICATIONS**

Milescraft; Universal Power Tool Attachments & Accessories—  
Drills & Drivers—Drive 90; <http://www.milescraft.com/products/drilling/confined-spaces-drilling/1302-drive90>; 3 pages; known at  
least as early as Mar. 19, 2010.  
(Continued)

*Primary Examiner* — Darlington Ly  
(74) *Attorney, Agent, or Firm* — Reinhart Boerner Van  
Deuren P.C.

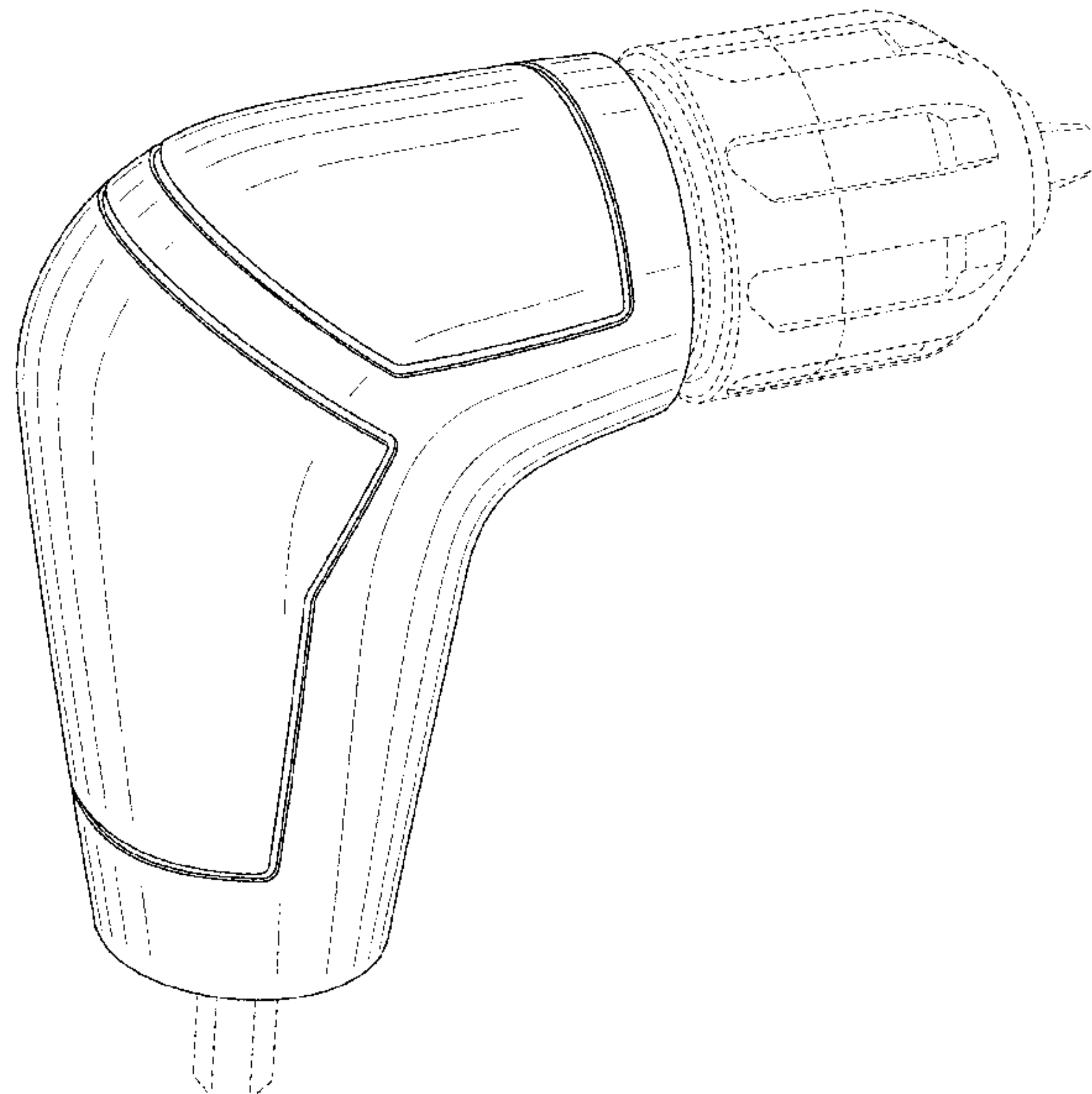
(57) **CLAIM**

The ornamental design for a right angle drill attachment, as  
shown and described.

**DESCRIPTION**

FIG. 1 is a perspective view of a right angle drill attachment  
showing our new design;  
FIG. 2 is a top plan view thereof;  
FIG. 3 is a front elevation view thereof;  
FIG. 4 is a rear elevation view thereof;  
FIG. 5 is a side elevation view thereof;  
FIG. 6 is an opposing side elevation view thereof; and,  
FIG. 7 is a bottom plan view thereof.  
The broken lines in the drawings illustrate portions of the  
right angle drill attachment that form no part of the claimed  
design.

**1 Claim, 5 Drawing Sheets**



(56)

References Cited

U.S. PATENT DOCUMENTS

2,804,957 A	9/1957	Pechin, Jr.		D533,041 S	12/2006	Pozgay et al.	
2,906,567 A	9/1959	Runton et al.		7,153,133 B1	12/2006	Chia et al.	
3,158,883 A	12/1964	Barr		D535,535 S	1/2007	Baker	
3,333,481 A	8/1967	Kulig		7,156,187 B1	1/2007	Townsan	
3,456,458 A	7/1969	Dixon		7,191,494 B2	3/2007	Badiali	
3,719,254 A	3/1973	Snider		7,191,677 B2	3/2007	Barkdoll	
3,724,561 A	4/1973	Merrels		7,243,581 B1	7/2007	Gao	
3,783,955 A	1/1974	Gill		7,346,992 B2	3/2008	Hunger	
3,901,098 A	8/1975	Jenkins		D567,046 S	4/2008	Henssler et al.	
4,276,675 A	7/1981	Pioch		D582,741 S	12/2008	Wise	
4,321,838 A	3/1982	Feldman		7,475,740 B2	1/2009	Kozina et al.	
4,332,147 A	6/1982	Grech		D586,634 S	2/2009	Lai	
4,368,556 A	1/1983	Wanner et al.		D587,978 S *	3/2009	Aglassinger	D8/70
4,403,679 A	9/1983	Snider		D588,891 S	3/2009	Hayakawa et al.	
4,441,564 A	4/1984	Castillo		D592,480 S *	5/2009	Sun	D8/70
4,474,077 A	10/1984	Debelius		D598,260 S	8/2009	Jerome et al.	
4,643,052 A	2/1987	Badiali		7,771,291 B1	8/2010	Willett et al.	
4,645,388 A	2/1987	Abrahamsen		D624,380 S	9/2010	Rane et al.	
RE32,415 E	5/1987	Grech		D627,204 S *	11/2010	Harrison	D8/70
4,685,848 A	8/1987	Langer		D633,768 S *	3/2011	Adkins	D8/70
4,696,199 A	9/1987	Fabbri		D634,595 S	3/2011	Tyson	
4,751,970 A	6/1988	Hecker et al.		D636,245 S *	4/2011	Adkins	D8/70
4,758,970 A	7/1988	Keary et al.		7,963,346 B2	6/2011	Brodin	
4,820,090 A	4/1989	Chen		D646,948 S	10/2011	Robinson et al.	
4,838,108 A	6/1989	Flanhardt et al.		D648,997 S	11/2011	Allan et al.	
4,840,082 A	6/1989	Terashima et al.		D649,423 S	11/2011	Robinson et al.	
4,881,294 A	11/1989	Riedl		D653,922 S	2/2012	Henssler et al.	
4,885,963 A	12/1989	Nishikawa		D654,589 S	2/2012	Bast et al.	
4,912,349 A	3/1990	Chang		D658,437 S	5/2012	Johnson et al.	
4,947,942 A	8/1990	Lightle et al.		D658,464 S	5/2012	Kawase et al.	
5,028,181 A *	7/1991	Jenkins	B23Q 5/045 279/155	D663,025 S	7/2012	Bast et al.	
				D663,181 S	7/2012	Zhou et al.	
				8,220,363 B2	7/2012	Bayer et al.	
				D665,238 S	8/2012	Fossum	
				8,281,690 B2 *	10/2012	Badiali	B23Q 5/045 81/57.12
D323,395 S *	1/1992	Meller	D24/146	D670,148 S *	11/2012	Wang	D8/70
D323,961 S	2/1992	Fushiya et al.		D674,676 S	1/2013	Wang	
5,188,189 A	2/1993	Hummel		D692,742 S *	11/2013	Wenchel	D8/70
5,251,706 A	10/1993	Evans		D701,441 S	3/2014	Yaschur	
5,363,723 A	11/1994	Hoffman		D702,522 S	4/2014	Steinfels et al.	
5,404,775 A	4/1995	Abe		8,707,816 B2	4/2014	Adkins	
5,482,413 A	1/1996	Argaud		D711,708 S	8/2014	Larson	
5,533,581 A	7/1996	Barth et al.		D712,224 S	9/2014	Zhang	
5,636,698 A	6/1997	Estep et al.		D712,225 S *	9/2014	Larson	D8/70
5,725,422 A	3/1998	Leweck		D714,609 S	10/2014	Beukema	
5,788,903 A	8/1998	Allgaier		D718,108 S	11/2014	Beukema	
5,863,159 A	1/1999	Lasko		D727,698 S	4/2015	Su et al.	
D414,093 S	9/1999	Zurwelle		D730,136 S	5/2015	Lichtensteiger et al.	
6,009,776 A	1/2000	Warren		9,314,852 B2	4/2016	Santamarina et al.	
6,089,331 A	7/2000	Christ		D764,248 S	8/2016	Eisinger et al.	
6,102,632 A	8/2000	Potter et al.		D789,171 S *	6/2017	Eisinger	D8/70
6,112,621 A	9/2000	Ochiai		2002/0185289 A1	12/2002	Yorde, Jr.	
6,125,721 A	10/2000	Yang		2003/0010158 A1	1/2003	Listl et al.	
6,151,998 A	11/2000	Fu-Hui		2004/0014004 A1	1/2004	Garrison et al.	
D439,124 S *	3/2001	Duennes	D8/70	2004/0016082 A1	1/2004	Yi	
6,241,594 B1	6/2001	Leopold		2004/0065178 A1	4/2004	Anderson et al.	
6,296,427 B1	10/2001	Potter et al.		2004/0067813 A1	4/2004	Komine	
6,352,127 B1	3/2002	Yorde		2004/0159172 A1	8/2004	Barkdoll	
6,463,824 B1	10/2002	Prell et al.		2005/0009458 A1	1/2005	Uzumcu et al.	
D468,175 S	1/2003	Morgan		2005/0034276 A1	2/2005	Badiali	
D476,870 S	7/2003	Hayakawa et al.		2006/0027048 A1	2/2006	Chen	
D479,455 S	9/2003	Waldron		2006/0289184 A1	12/2006	Cheng	
6,814,156 B2	11/2004	Dieterle et al.		2007/0102178 A1	5/2007	Kozina et al.	
6,820,336 B2	11/2004	Laitinen et al.		2008/0003070 A1 *	1/2008	Hor	B25F 5/001 408/124
6,820,339 B2	11/2004	Albrightson					
6,863,479 B2	3/2005	Frauhammer et al.		2009/0272556 A1	11/2009	Young et al.	
6,929,074 B1	8/2005	Lai		2011/0011609 A1	1/2011	Simm et al.	
D513,160 S *	12/2005	DeBoer	D8/68	2011/0067513 A1	3/2011	Wilson	
D516,889 S *	3/2006	Aglassinger	D8/68	2011/0272172 A1	11/2011	Lau et al.	
7,052,382 B2	5/2006	Baker		2012/0011954 A1 *	1/2012	Adkins	F16H 1/14 74/417
D524,133 S *	7/2006	Wu	D8/68				
D525,502 S	7/2006	Chen		2012/0014958 A1	1/2012	Borras et al.	
D527,970 S	9/2006	Vui		2012/0024096 A1 *	2/2012	Adkins	B23B 45/003 74/416
D529,353 S	10/2006	Wong et al.					
D530,171 S	10/2006	Baker		2013/0154205 A1 *	6/2013	Santamarina	B25F 3/00 279/128
D531,872 S *	11/2006	Aglassinger	D8/68				
7,134,364 B2 *	11/2006	Kageler	B25F 5/00 81/52	2014/0196921 A1	7/2014	Kondo et al.	
				2016/0116023 A1	4/2016	Eisinger et al.	



(56)

**References Cited**

## U.S. PATENT DOCUMENTS

## FOREIGN PATENT DOCUMENTS

DE	837629	4/1952
DE	3634734	4/1988
DE	4326652	1/1994
DE	29512161	1/1997
DE	10001091	7/2001
EP	0799671	10/1997
EP	2604392	6/2013
EP	2604393	6/2013
GB	100354	9/1916
JP	H05123915	5/1993
JP	2004261959	9/2004
WO	WO 01/81053	11/2001
WO	WO 2005/032769	4/2005

## OTHER PUBLICATIONS

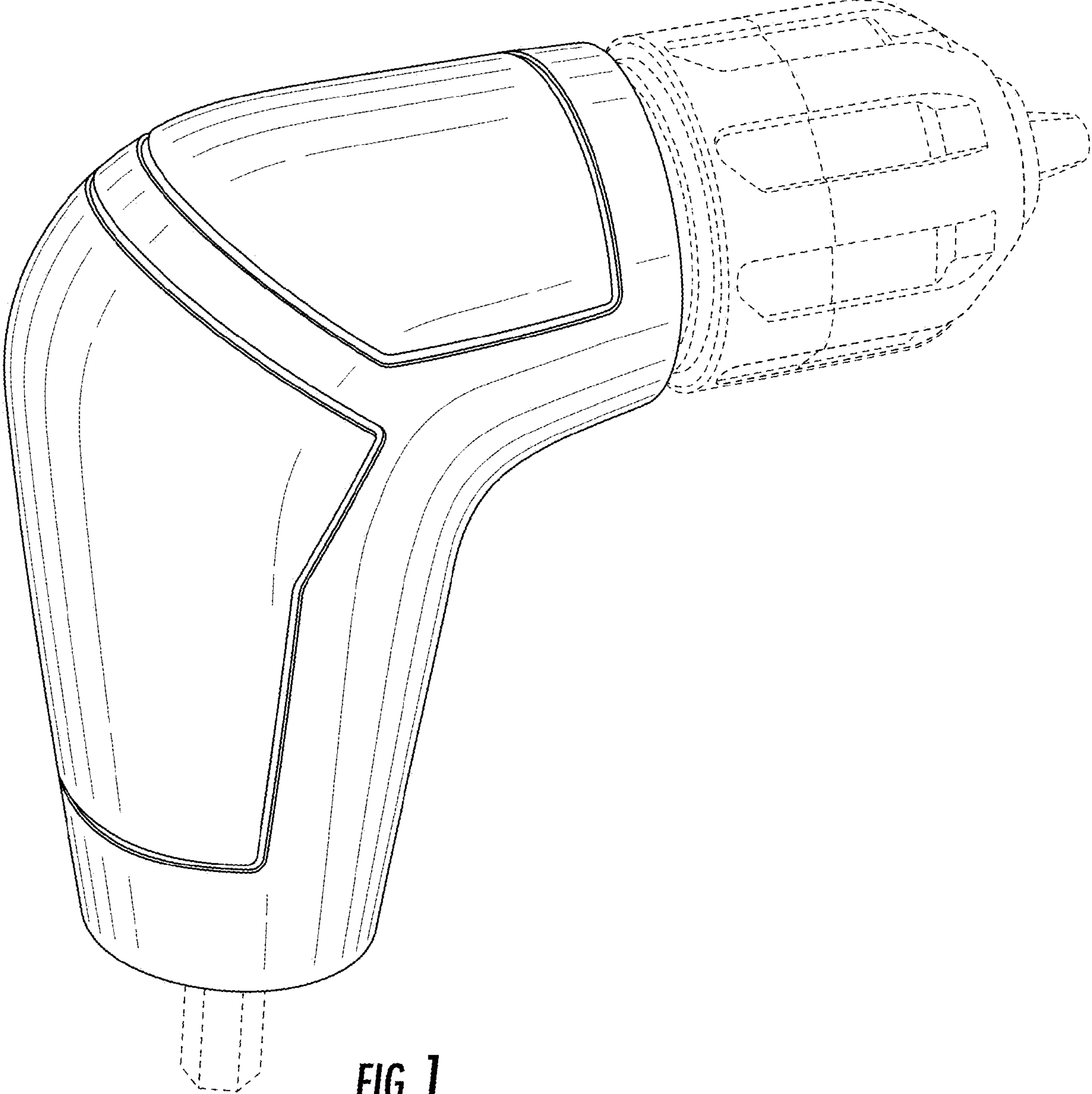
Ingersoll Rand; 1207MAX Series Air Ratchets; electronic brochure; <http://ec.kamandirect.com/content/featured/2011/ingersoll-rand-max-air-tools/downloads/ingersoll-rand-1207max-series-air-ratchet.pdf>; 2 pages; known at least as early Jul. 22, 2015.

Makita Cordless Angle Impact Driver; electronic brochure; [http://www.ebuild.com/lmgRepos/bt1061\\_e\\_view.pdf\\_03102009\\_100843untitled/bt1061\\_e\\_view.pdf](http://www.ebuild.com/lmgRepos/bt1061_e_view.pdf_03102009_100843untitled/bt1061_e_view.pdf); 2 pages; known at least as early Jul. 22, 2015.

Wolfcraft Hook Driver; <http://www.mcfeelys.com/product/WC-2422/Wolfcraft-Hook-Driver>; 1 page; known at least as early Oct. 10, 2012.

U.S. Appl. No. 29/691,989, filed May 21, 2019, Diaz.

\* cited by examiner



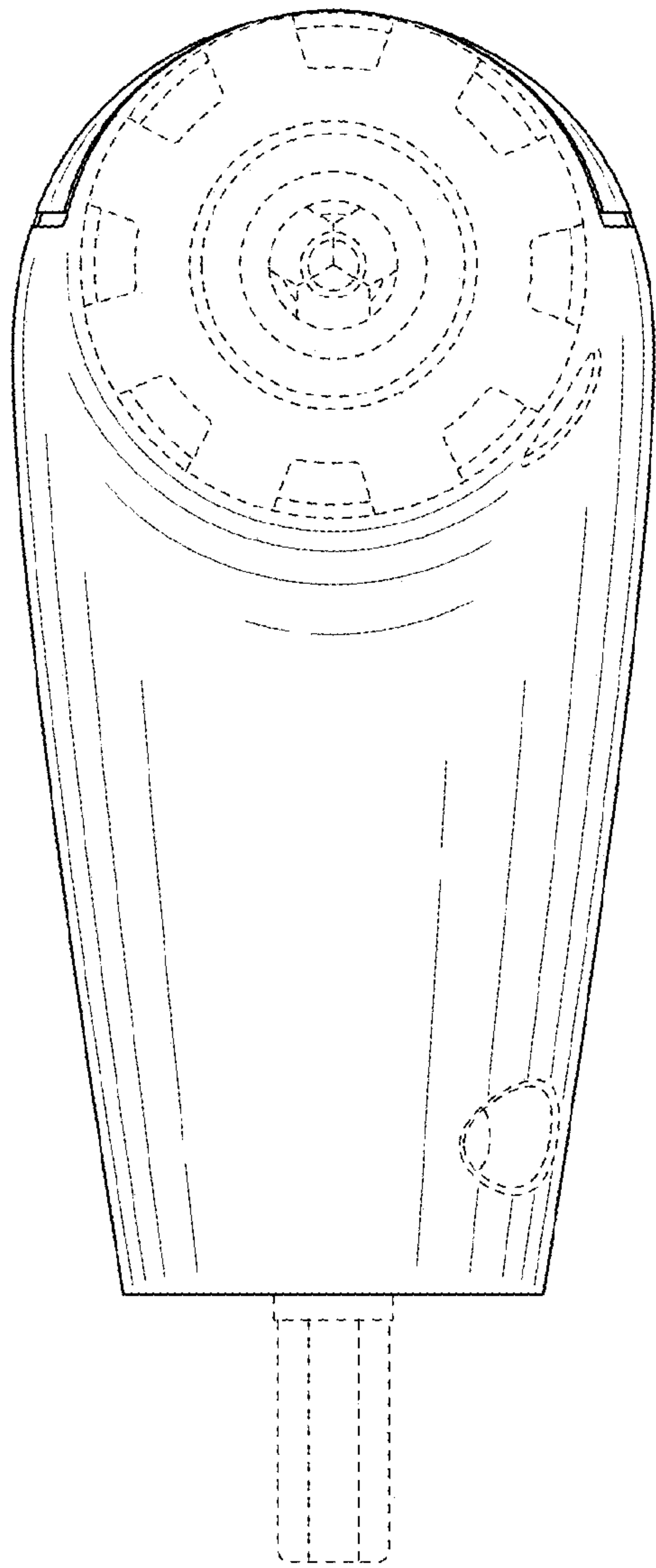


FIG. 2

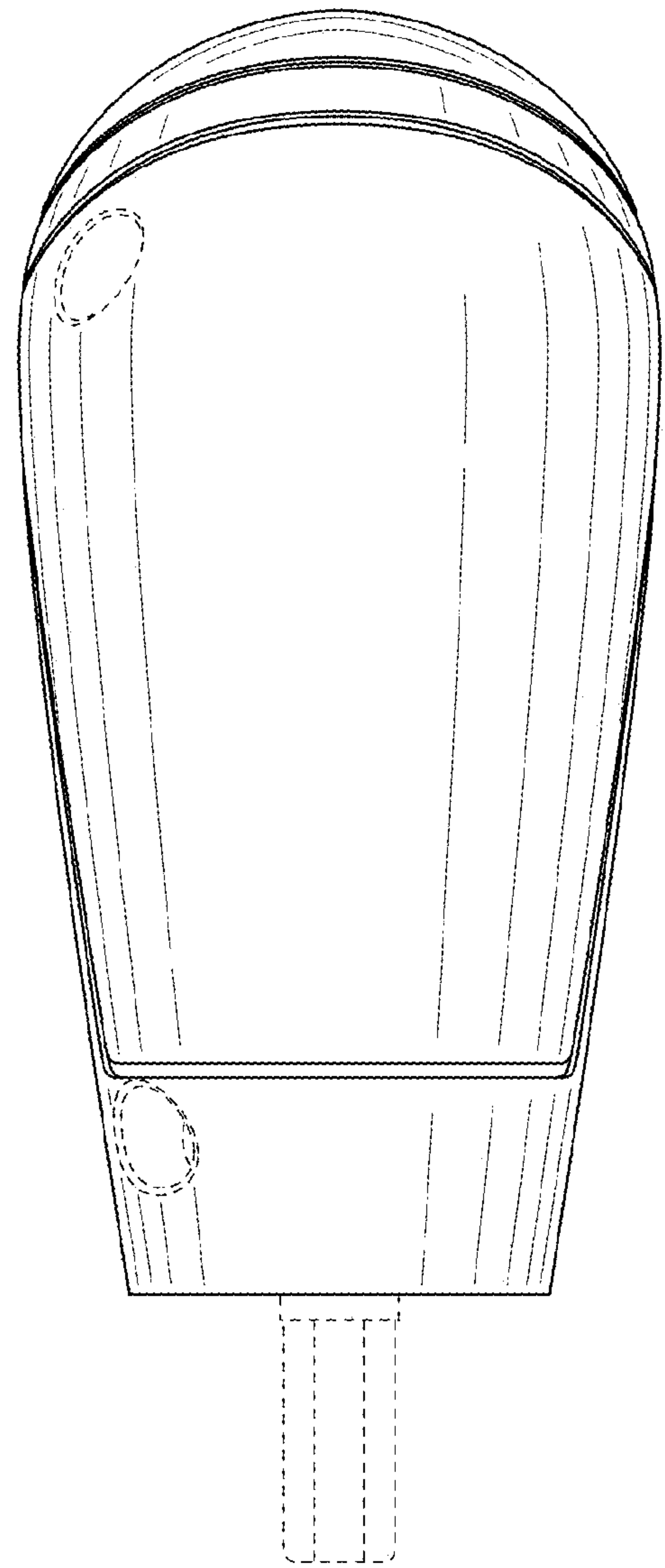
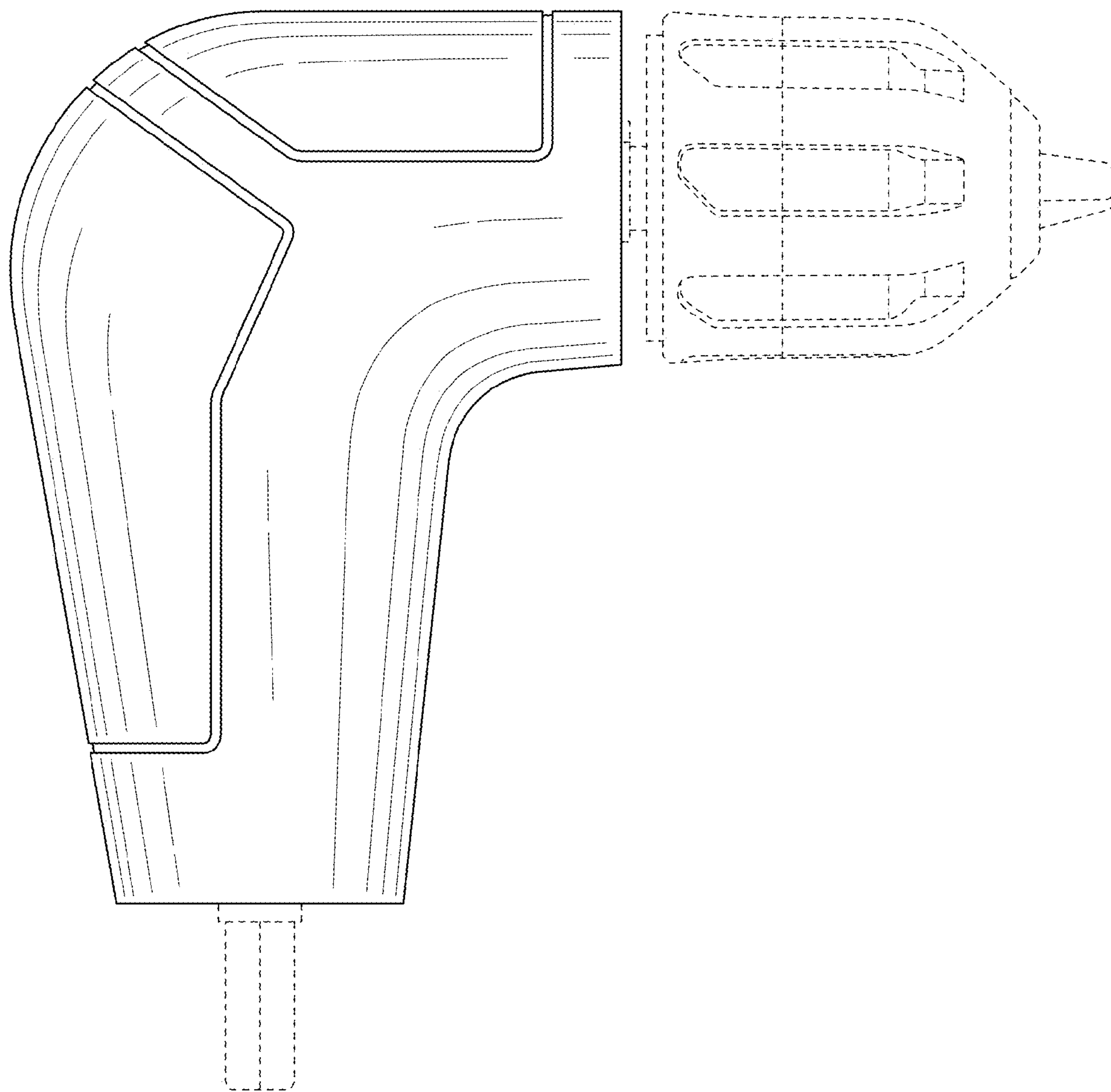
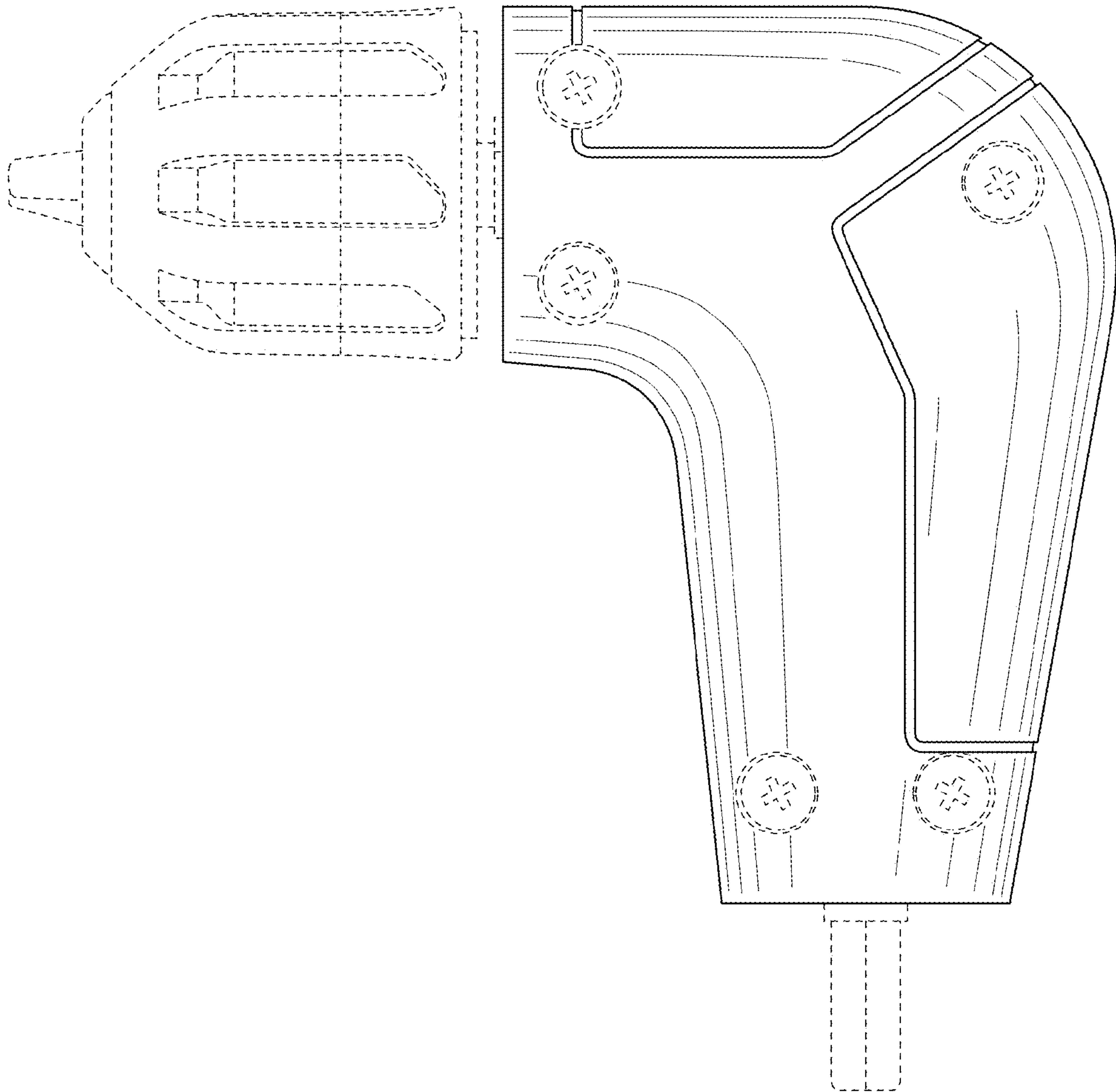


FIG. 3



**FIG. 4**



**FIG. 5**

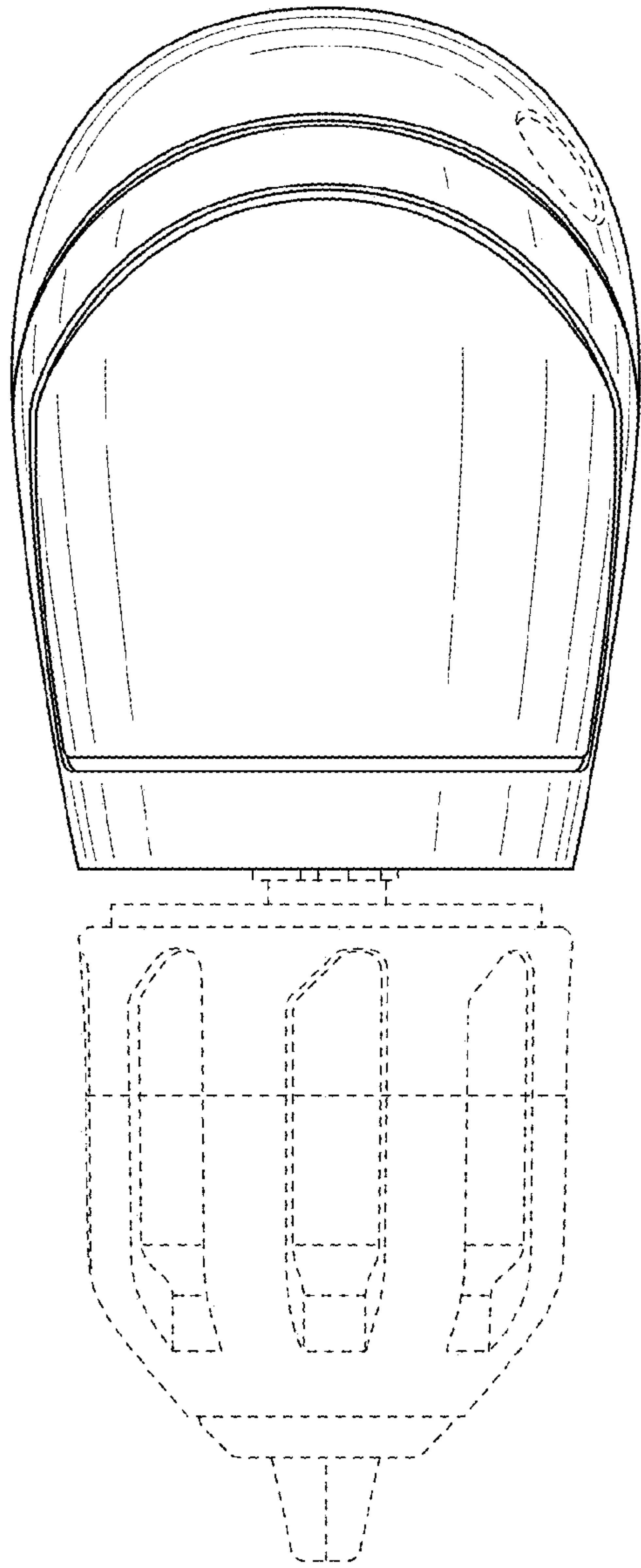


FIG. 6

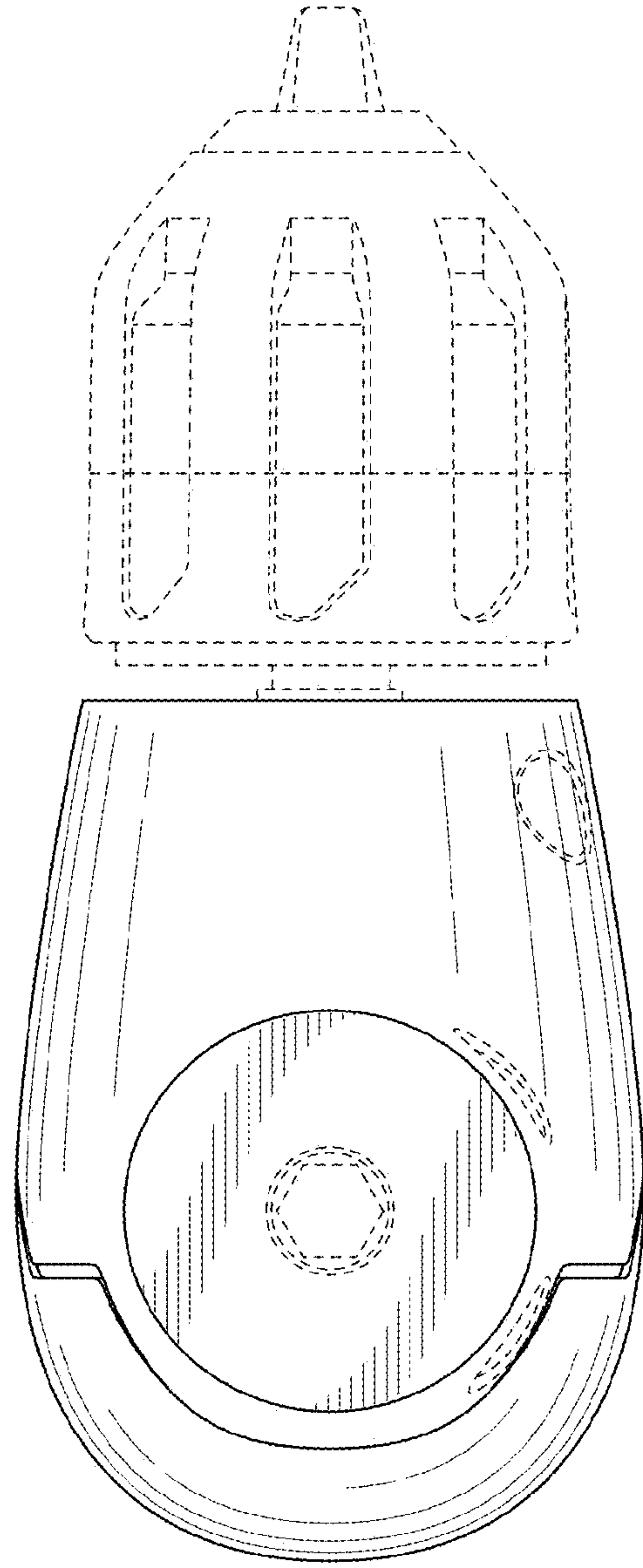


FIG. 7