



US00D907452S

(12) **United States Design Patent** (10) **Patent No.:** **US D907,452 S**
Van Essen et al. (45) **Date of Patent:** **** Jan. 12, 2021**

(54) **DRIVE GUIDE**
(71) Applicant: **Milwaukee Electric Tool Corporation**,
Brookfield, WI (US)
(72) Inventors: **James J. Van Essen**, Wauwatosa, WI
(US); **Jacob A. Krabbe**, Milwaukee,
WI (US); **Michael J. Zimmermann**,
New Berlin, WI (US); **Steven W.**
Hyma, Milwaukee, WI (US); **Alec D.**
Snavley, Sparta, MI (US)

2,620,000 A 12/1952 Noffsinger
2,633,168 A 3/1953 Mahaffey
2,643,379 A 6/1953 Matovich
2,694,329 A 11/1954 Thompson et al.
2,698,637 A 1/1955 Donovan
2,706,506 A 4/1955 Wagner
2,780,257 A 2/1957 Duggan
3,182,697 A 5/1965 Bonewits
3,244,208 A 4/1966 McKenzie
3,320,832 A 5/1967 Jensen

(Continued)

FOREIGN PATENT DOCUMENTS

(73) Assignee: **Milwaukee Electric Tool Corporation**,
Brookfield, WI (US)

DE 102005017872 A1 10/2006
WO 9313914 A1 7/1993

(**) Term: **15 Years**

OTHER PUBLICATIONS

(21) Appl. No.: **29/611,715**
(22) Filed: **Jul. 25, 2017**
(51) **LOC (13) Cl.** **08-05**
(52) **U.S. Cl.**
USPC **D8/14; D8/86; D8/71**
(58) **Field of Classification Search**
USPC D8/14, 82, 83, 86, 71; D10/70, 71, 72
CPC ... B25B 23/005; B25B 23/0035; B25B 23/12;
B25B 23/0021; B25B 23/0064
See application file for complete search history.

European Patent Office Extended Search Report for Application No.
18184737 dated Jun. 19, 2019 (9 pages).

Primary Examiner — Philip S Hyder
(74) *Attorney, Agent, or Firm* — Michael Best &
Friedrich LLP

(57) **CLAIM**

We claim the ornamental design for a drive guide, as shown
and described.

DESCRIPTION

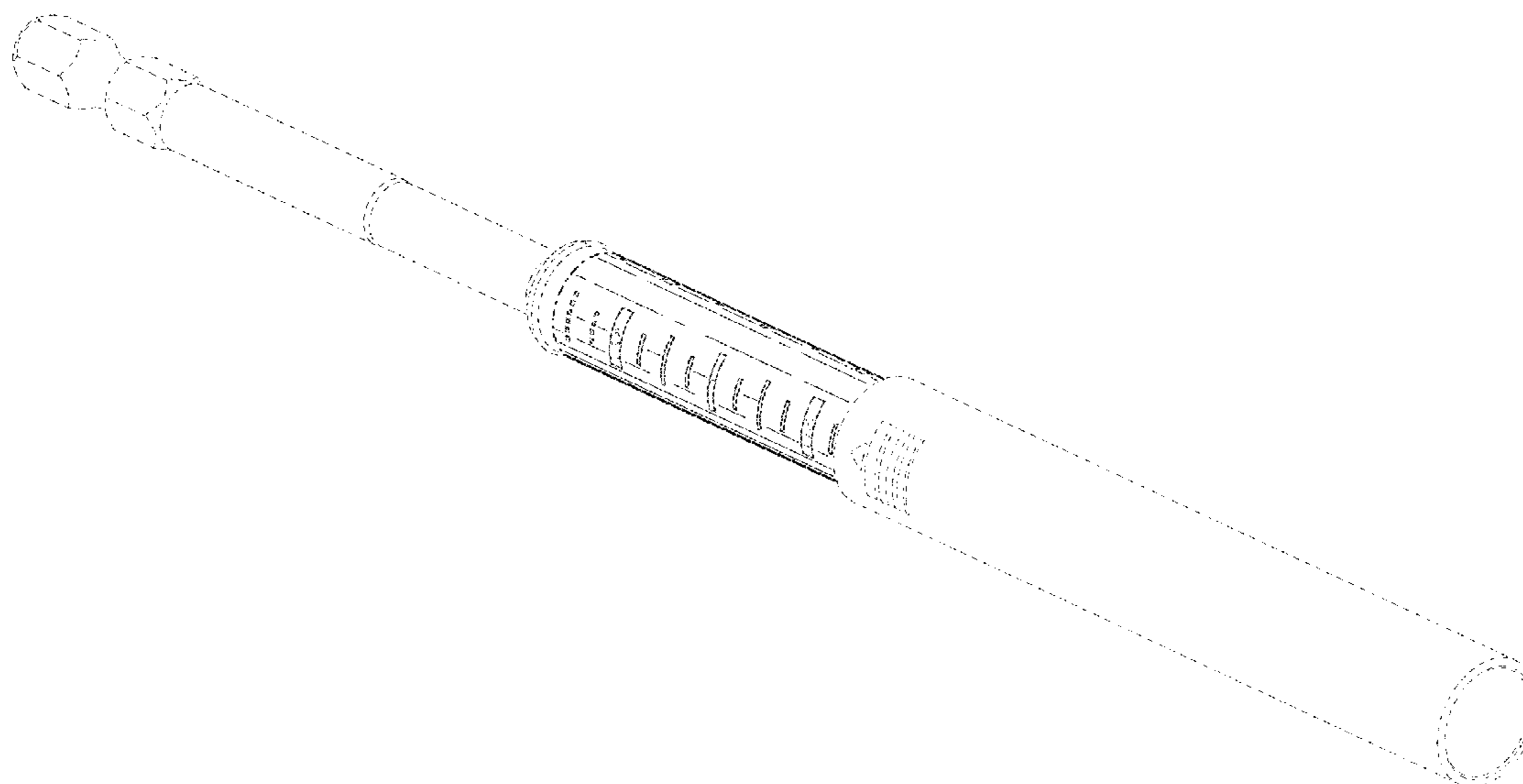
(56) **References Cited**

U.S. PATENT DOCUMENTS

1,333,437 A 3/1920 Monroe
1,539,782 A 5/1925 Stansell
1,593,233 A 7/1926 Wilson
1,644,074 A 10/1927 Morgan
1,708,766 A 4/1929 Lochner
1,712,196 A 5/1929 Burger et al.
1,769,067 A 7/1930 Meunier
1,810,704 A 6/1931 Gentry
1,889,330 A 11/1932 Humes et al.
1,925,385 A 9/1933 Humes et al.
2,382,639 A 8/1945 Kennard

FIG. 1 is a perspective view of a drive guide.
FIG. 2 is a first side view of the drive guide of FIG. 1.
FIG. 3 is a second side view of the drive guide of FIG. 1.
FIG. 4 is a third side view of the drive guide of FIG. 1.
FIG. 5 is a fourth side view of the drive guide of FIG. 1.
FIG. 6 is a first end view of the drive guide of FIG. 1; and,
FIG. 7 is a second end view of the drive guide of FIG. 1.
The broken lines depict portions of the drive guide in which
the design is embodied that are not considered part of the
claimed design.

1 Claim, 4 Drawing Sheets



(56)

References Cited

U.S. PATENT DOCUMENTS

3,532,142 A 10/1970 Ziegler
 3,633,640 A 1/1972 Moore
 3,739,825 A 6/1973 Knox
 3,973,605 A 8/1976 Decaro
 4,018,254 A 4/1977 DeCaro
 4,140,161 A 2/1979 Russo et al.
 4,146,071 A 3/1979 Mueller et al.
 4,237,946 A 12/1980 Leitner
 4,424,729 A 1/1984 Jacobson
 4,455,898 A 6/1984 Marbourg, Jr.
 4,510,826 A 4/1985 Marks
 4,581,962 A 4/1986 Marbourg
 4,611,515 A 9/1986 Marbourg, Jr.
 4,736,658 A 4/1988 Jore
 4,766,783 A 8/1988 Stanich et al.
 5,012,708 A 5/1991 Martindell
 5,025,688 A 6/1991 Davis
 5,029,498 A 7/1991 Kinsey
 5,056,386 A 10/1991 Chaconas
 5,182,973 A 2/1993 Martindell
 5,309,799 A 5/1994 Jore
 5,458,030 A 10/1995 Betts
 D377,745 S * 2/1997 Laun D8/107
 D379,578 S 6/1997 Daniels
 5,690,006 A * 11/1997 Pulliam B25B 23/0021
 403/326
 5,775,186 A 7/1998 Rahm
 5,791,207 A 8/1998 Ahdoot
 5,791,212 A 8/1998 Han
 5,806,381 A 9/1998 Lin
 5,873,175 A * 2/1999 Johnston G01B 3/08
 33/783
 5,927,161 A * 7/1999 Clifford B25B 23/0021
 81/177.2
 6,082,233 A 7/2000 Han
 6,128,982 A 10/2000 Gwin, Sr.
 6,148,699 A 11/2000 Han
 6,244,141 B1 * 6/2001 Han B25B 23/10
 81/453
 6,363,819 B1 4/2002 Li
 6,511,268 B1 1/2003 Vasudeva et al.
 6,668,941 B2 12/2003 Phillips et al.
 D498,403 S 11/2004 Singh

6,830,552 B1 * 12/2004 Gonzalez A61H 7/003
 601/137
 6,860,178 B2 3/2005 Wang
 D516,894 S 3/2006 Singh
 D525,101 S 7/2006 Singh
 7,069,826 B2 7/2006 Tilton
 7,210,382 B2 5/2007 McCracken
 7,210,881 B2 5/2007 Greenberg
 7,513,722 B2 4/2009 Gereenberg et al.
 D601,866 S * 10/2009 Carroll D8/10
 D604,128 S * 11/2009 Carroll D8/10
 7,779,734 B2 8/2010 Nichols, Jr.
 8,061,000 B2 11/2011 Santamarina et al.
 8,302,513 B2 11/2012 Evatt
 D673,193 S 12/2012 Dickrede
 D678,369 S 3/2013 Santamarina
 D687,872 S 8/2013 Santamarina
 8,534,165 B2 * 9/2013 Wente B25G 1/043
 248/188.5
 8,602,285 B2 12/2013 Santamarina et al.
 8,662,801 B2 3/2014 Santamarina et al.
 8,721,234 B2 5/2014 Santamarina et al.
 8,740,513 B2 6/2014 Santamarina et al.
 8,881,625 B2 11/2014 Jenkins
 9,021,925 B2 5/2015 Weber
 9,050,665 B2 6/2015 Greenberg
 9,211,637 B1 12/2015 Hewitt et al.
 9,415,491 B1 8/2016 Hewitt et al.
 D808,748 S * 1/2018 Griffore D8/10
 10,513,017 B2 12/2019 Lourenco et al.
 2005/0166725 A1 8/2005 Chen
 2006/0254394 A1 11/2006 Cantlon et al.
 2007/0034060 A1 2/2007 McCracken
 2007/0044329 A1 * 3/2007 Mitchell F16L 1/11
 33/1 E
 2009/0038447 A1 2/2009 McCracken et al.
 2011/0000344 A1 1/2011 Summers
 2013/0312577 A1 11/2013 Burrows et al.
 2014/0074226 A1 3/2014 Bielefeld et al.
 2015/0319908 A1 * 11/2015 Kuss A01B 1/02
 172/371
 2016/0023333 A1 1/2016 Chen
 2016/0107299 A1 4/2016 Hsu
 2017/0028538 A1 2/2017 Lourenco et al.

* cited by examiner

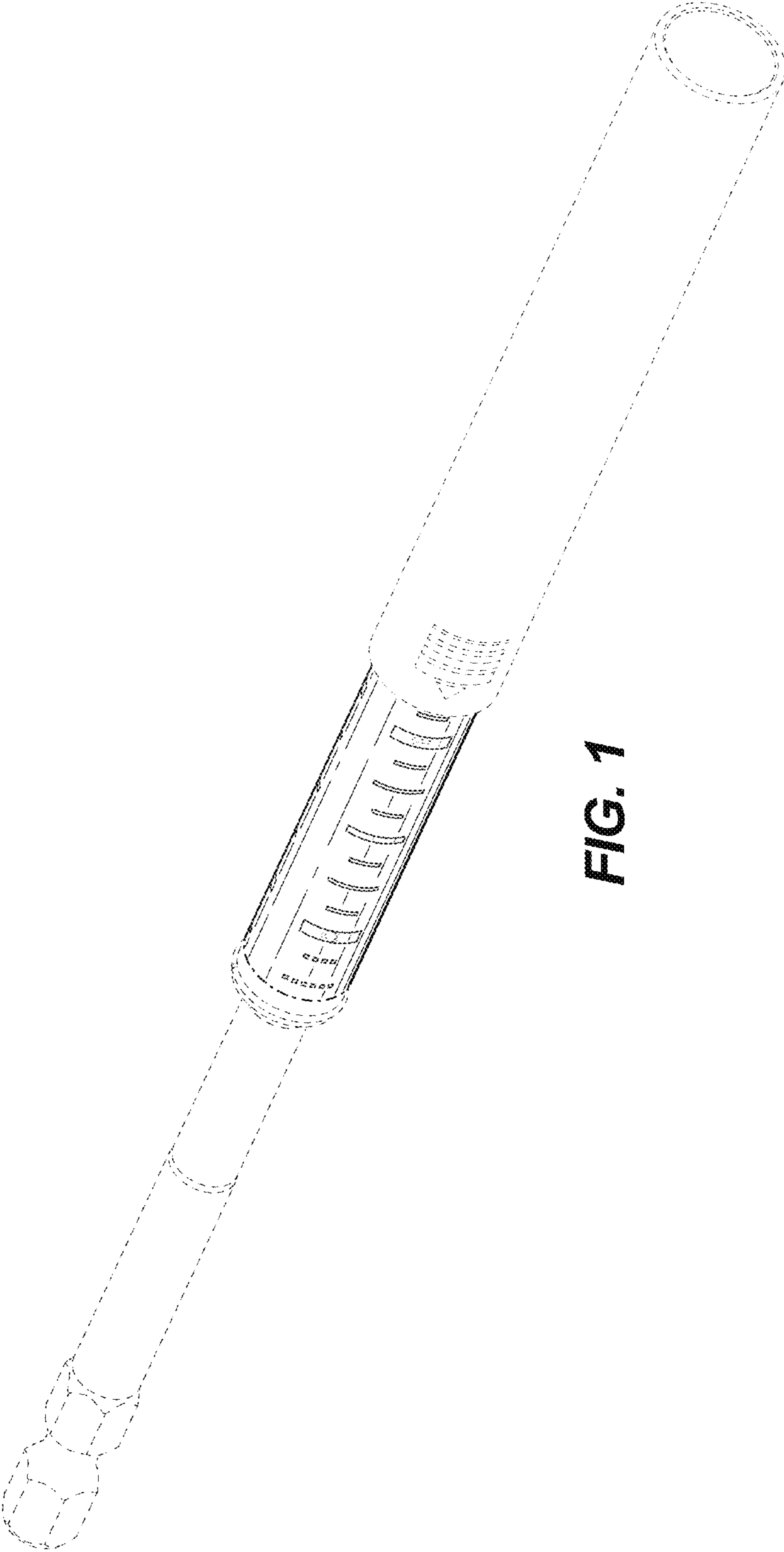


FIG. 1

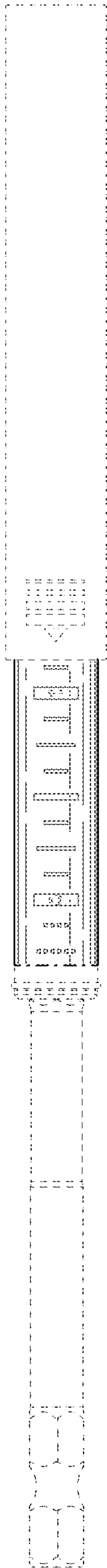


FIG. 2

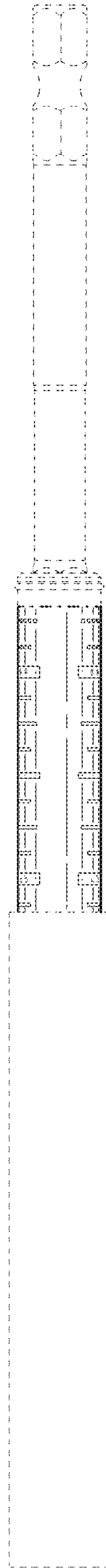


FIG. 3

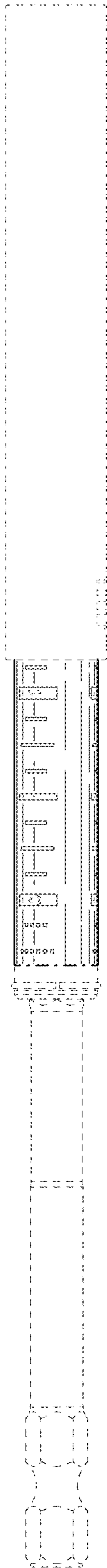


FIG. 4

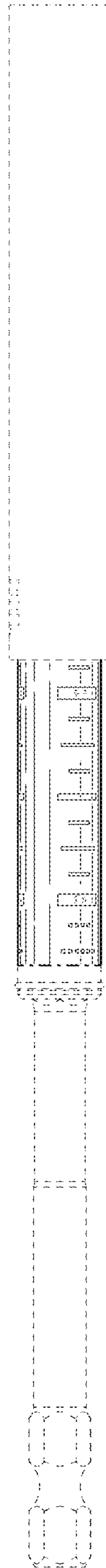


FIG. 5

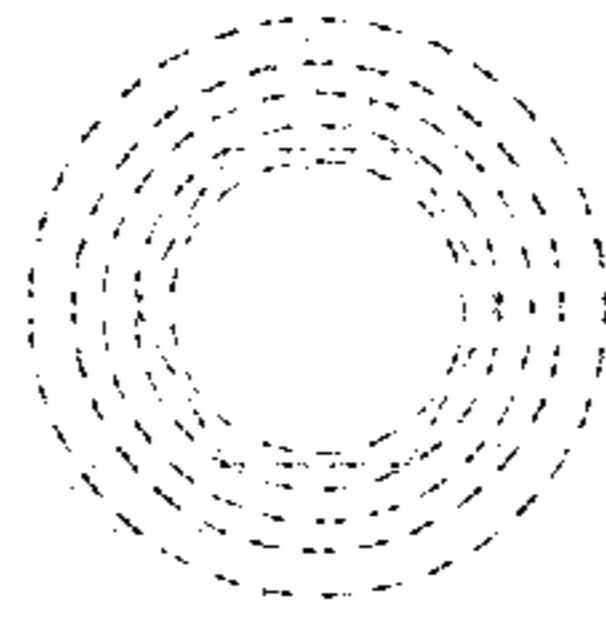


FIG. 6

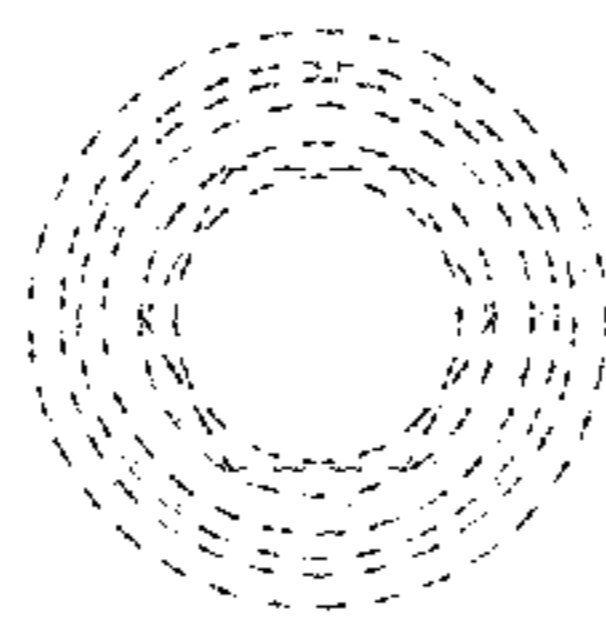


FIG. 7