



US00D907450S

(12) **United States Design Patent** (10) **Patent No.:** **US D907,450 S**  
**Yang** (45) **Date of Patent:** **\*\* Jan. 12, 2021**

(54) **BARTENDING STAND**  
(71) Applicant: **Xiaoxuan Yang**, Guangdong (CN)  
(72) Inventor: **Xiaoxuan Yang**, Guangdong (CN)  
(\*\*) Term: **15 Years**  
(21) Appl. No.: **29/749,495**  
(22) Filed: **Sep. 5, 2020**  
(51) **LOC (13) Cl.** ..... **06-04**  
(52) **U.S. Cl.**  
USPC ..... **D7/701**  
(58) **Field of Classification Search**  
USPC ..... D7/701, 707, 708, 637-641; D3/313;  
D6/512, 552, 672, 569, 682.2, 552.2, 525,  
D6/527, 528, 534, 535  
CPC .... A47G 23/0641; A47G 23/06; A47G 23/02;  
A47G 23/0208; A47G 23/0241; A47F  
5/16; A47F 7/28; A47F 7/283; B25H  
3/04; A47B 73/00; A47B 73/006  
See application file for complete search history.

D253,154 S \* 10/1979 Kriesten ..... D6/682.2  
4,947,991 A \* 8/1990 Snell ..... A47B 13/16  
206/427  
D329,359 S \* 9/1992 Eggen ..... D19/77  
D381,515 S \* 7/1997 Haynes ..... D24/224  
D505,841 S \* 6/2005 Fiedeler ..... D6/525  
D634,541 S \* 3/2011 Gutierrez ..... D3/313  
D649,416 S \* 11/2011 Tietjen ..... D7/707  
D786,029 S \* 5/2017 Pannell ..... D7/708  
D789,756 S 6/2017 MacDonald  
D792,176 S 7/2017 Lee et al.  
D817,728 S \* 5/2018 Brown ..... D7/701

\* cited by examiner

*Primary Examiner* — Terry A Wallace  
(74) *Attorney, Agent, or Firm* — ScienBiziP, P.C.

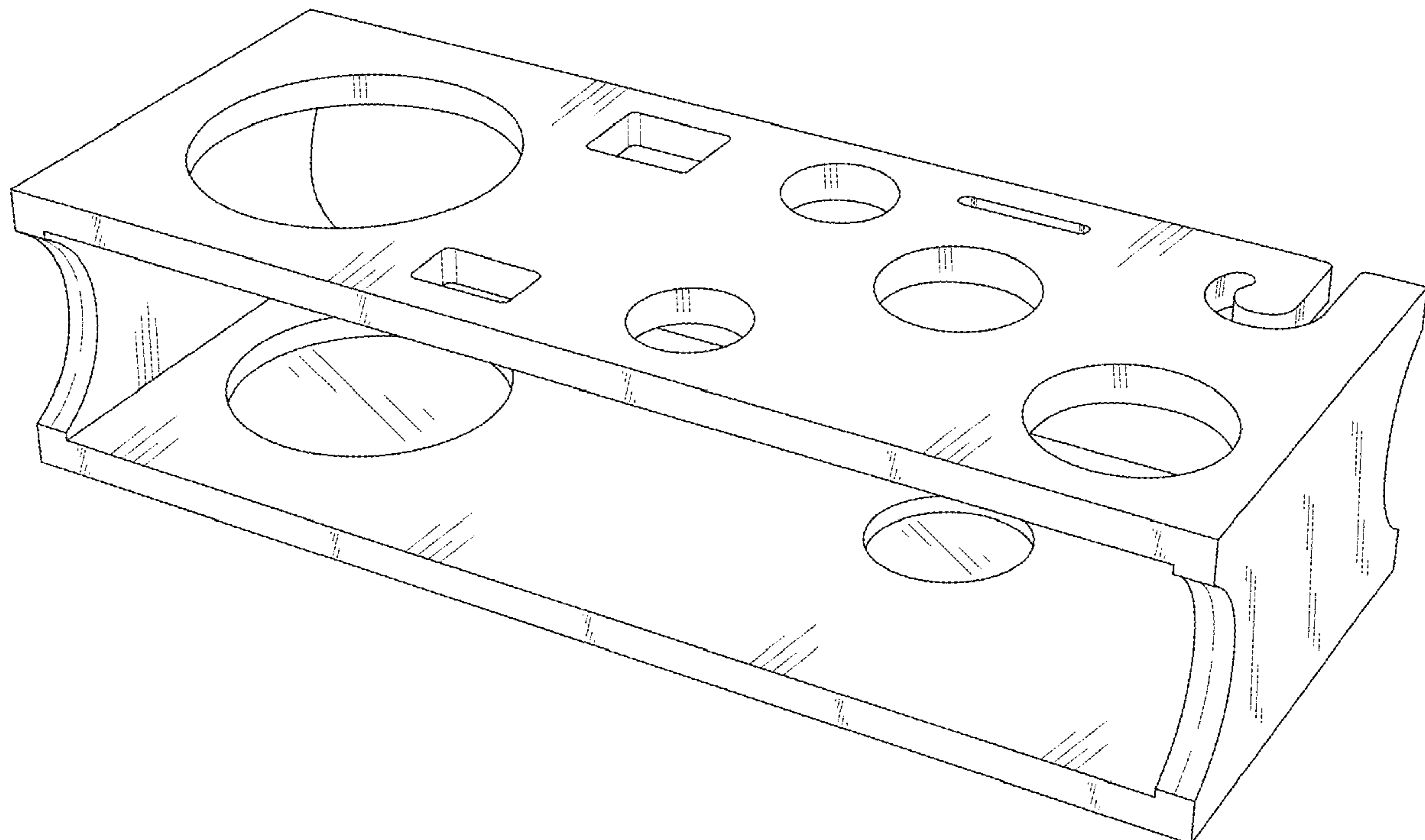
(57) **CLAIM**  
The ornamental design for a bartending stand, as shown and described.

**DESCRIPTION**

FIG. 1 is a front perspective view of a bartending stand, showing my design.  
FIG. 2 is a front elevation view thereof.  
FIG. 3 is a rear elevation view thereof.  
FIG. 4 is a left side elevation view thereof.  
FIG. 5 is a right side elevation view thereof.  
FIG. 6 is a top plan view thereof; and,  
FIG. 7 is a bottom plan view thereof.

**1 Claim, 7 Drawing Sheets**

(56) **References Cited**  
U.S. PATENT DOCUMENTS  
D127,900 S \* 6/1941 Block ..... D6/699  
D198,098 S \* 4/1964 Kaneko ..... D6/569  
D231,594 S \* 5/1974 Demers ..... D7/701  
D253,084 S \* 10/1979 Berger ..... D6/682.4



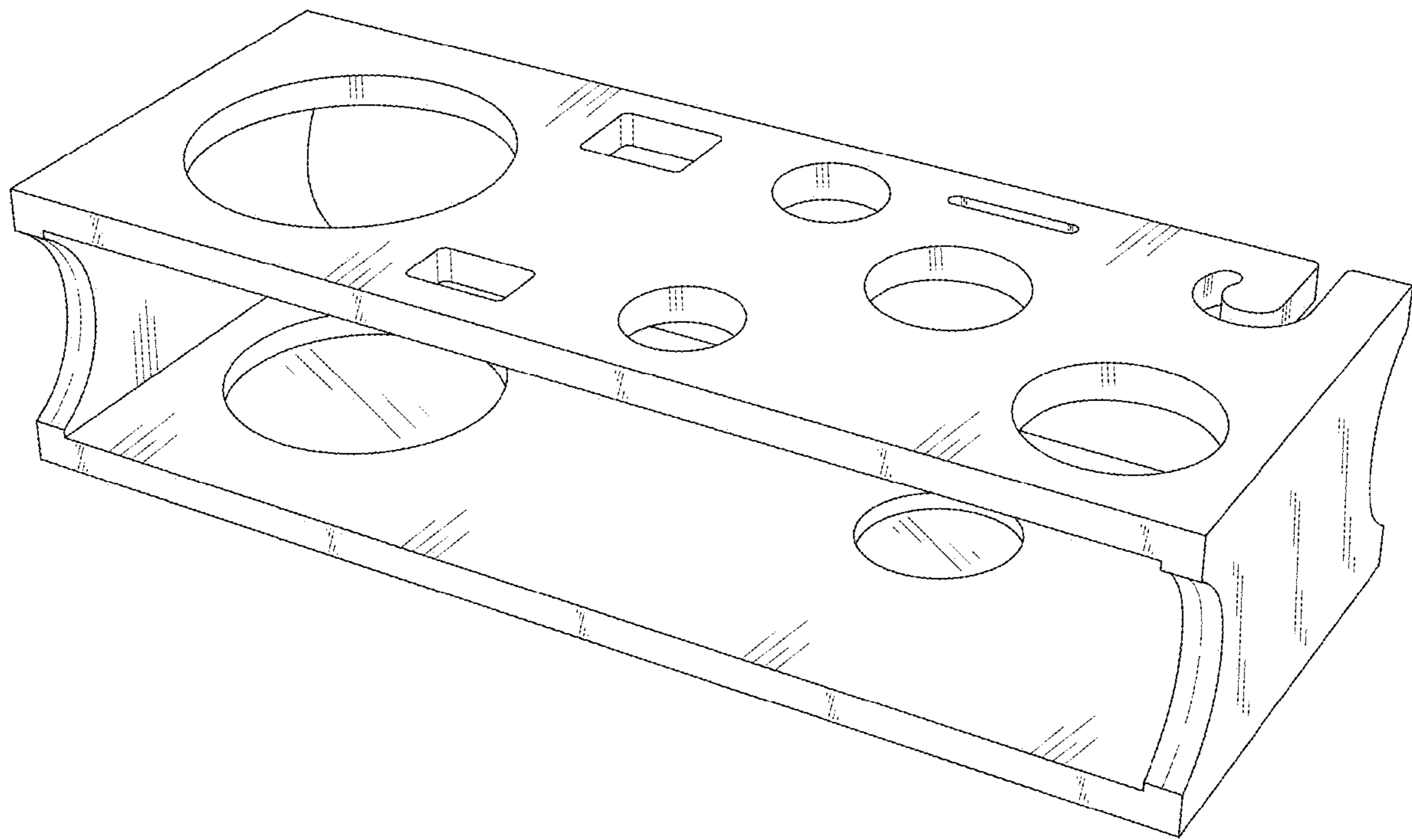


FIG.1

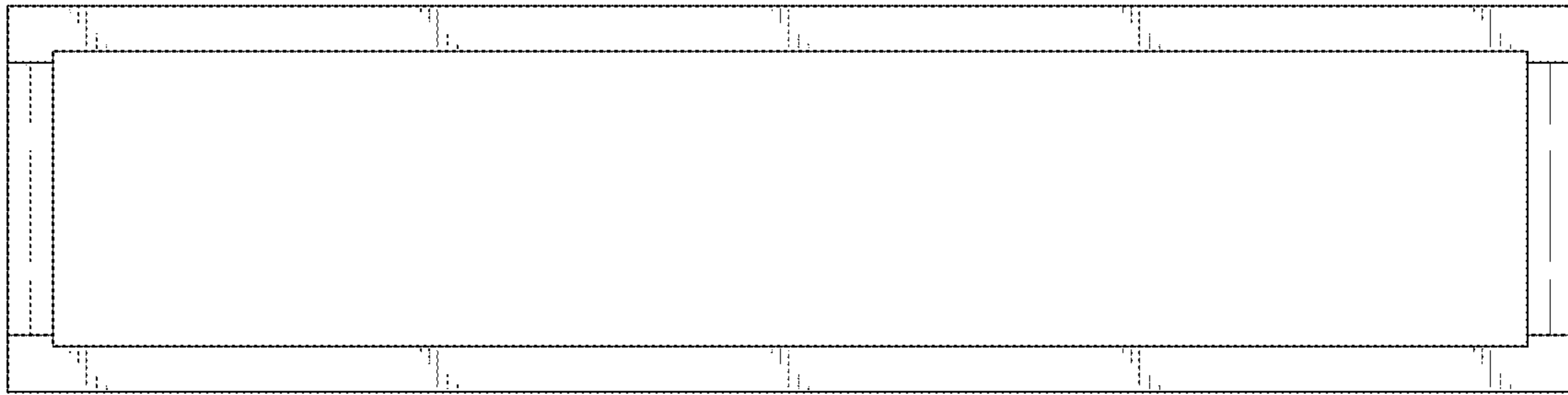


FIG.2

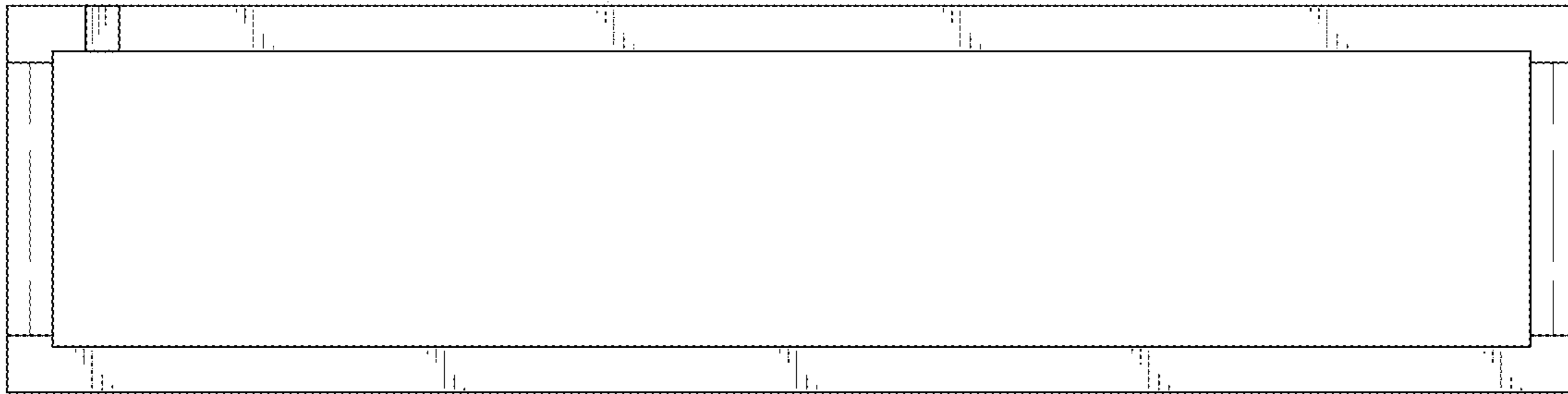


FIG.3

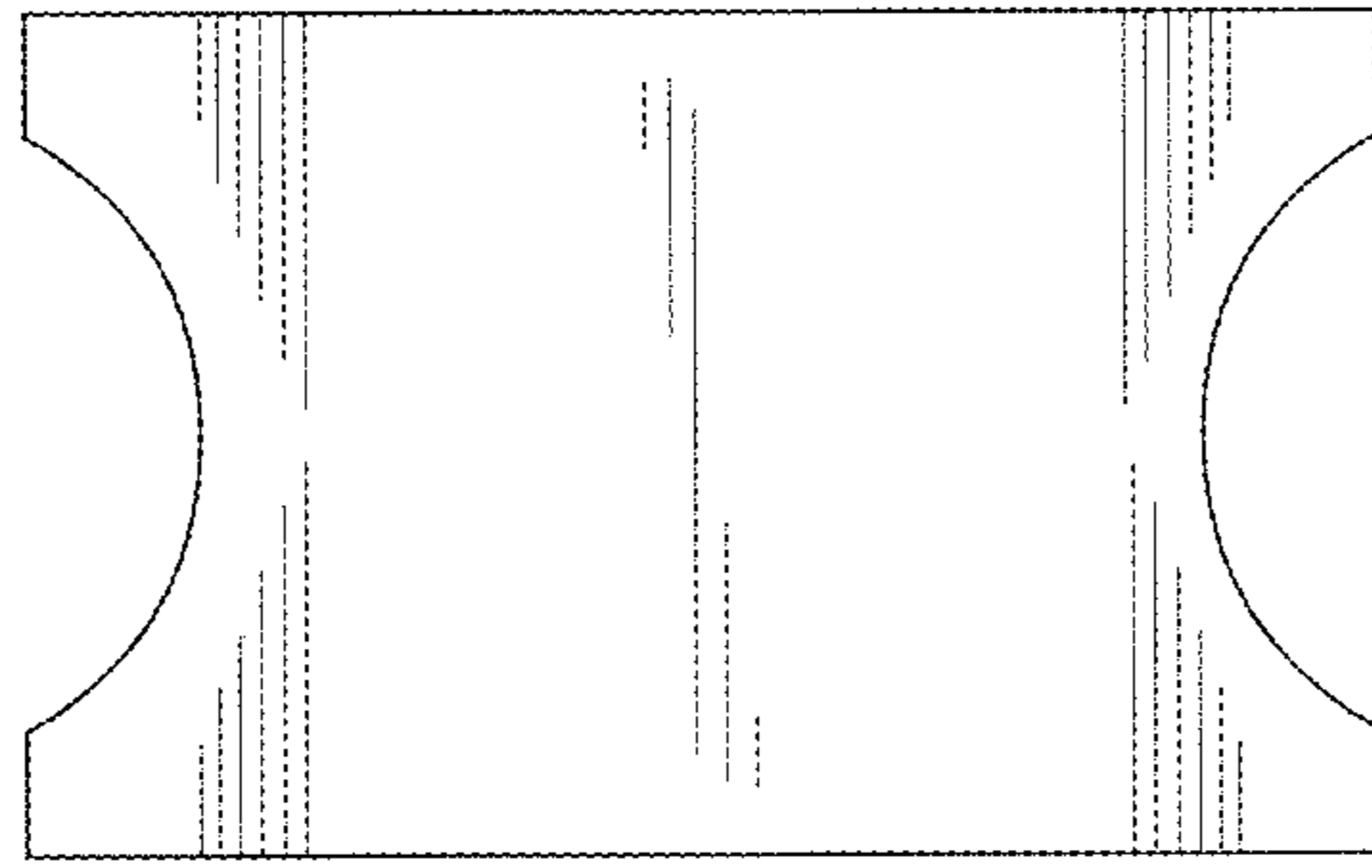


FIG.4

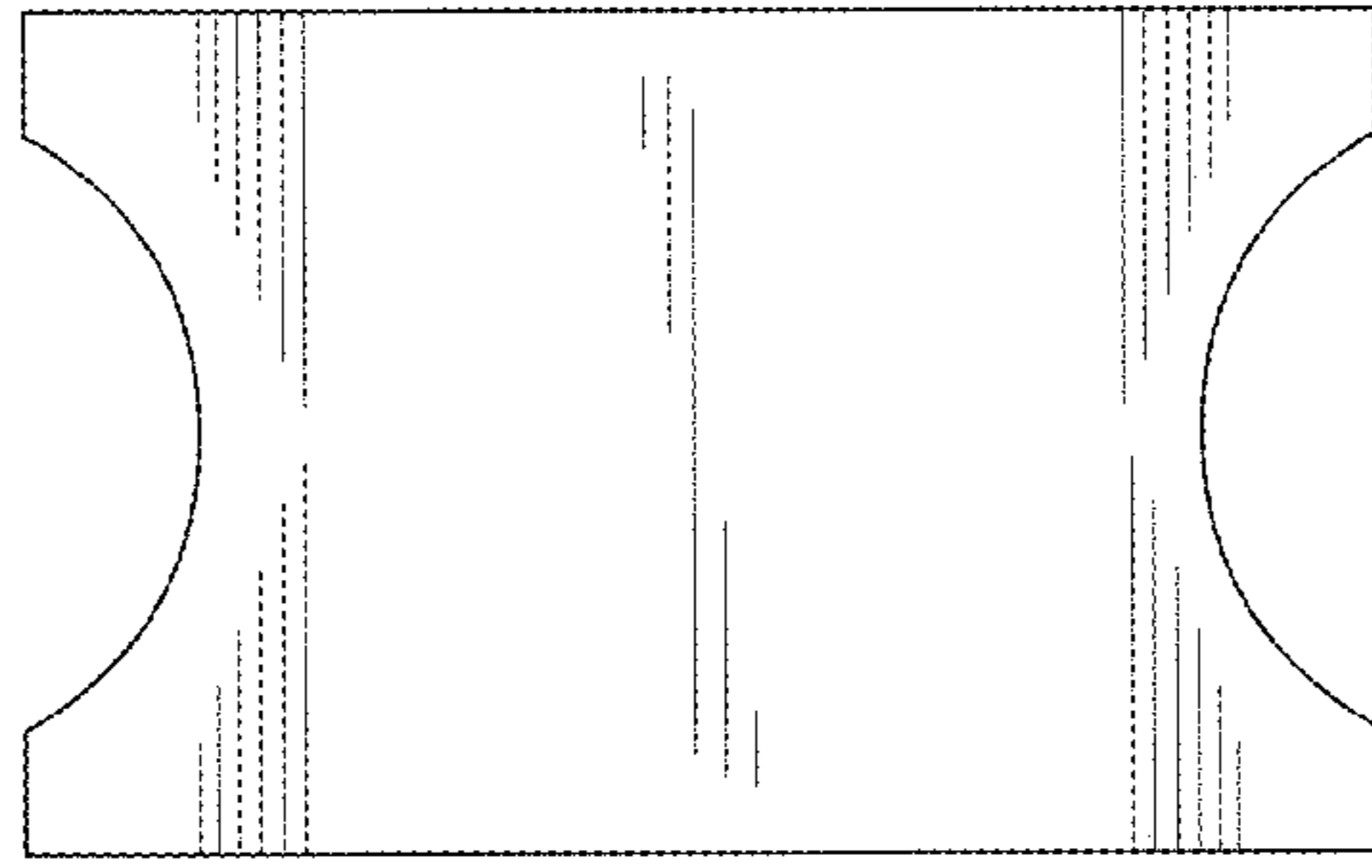


FIG.5

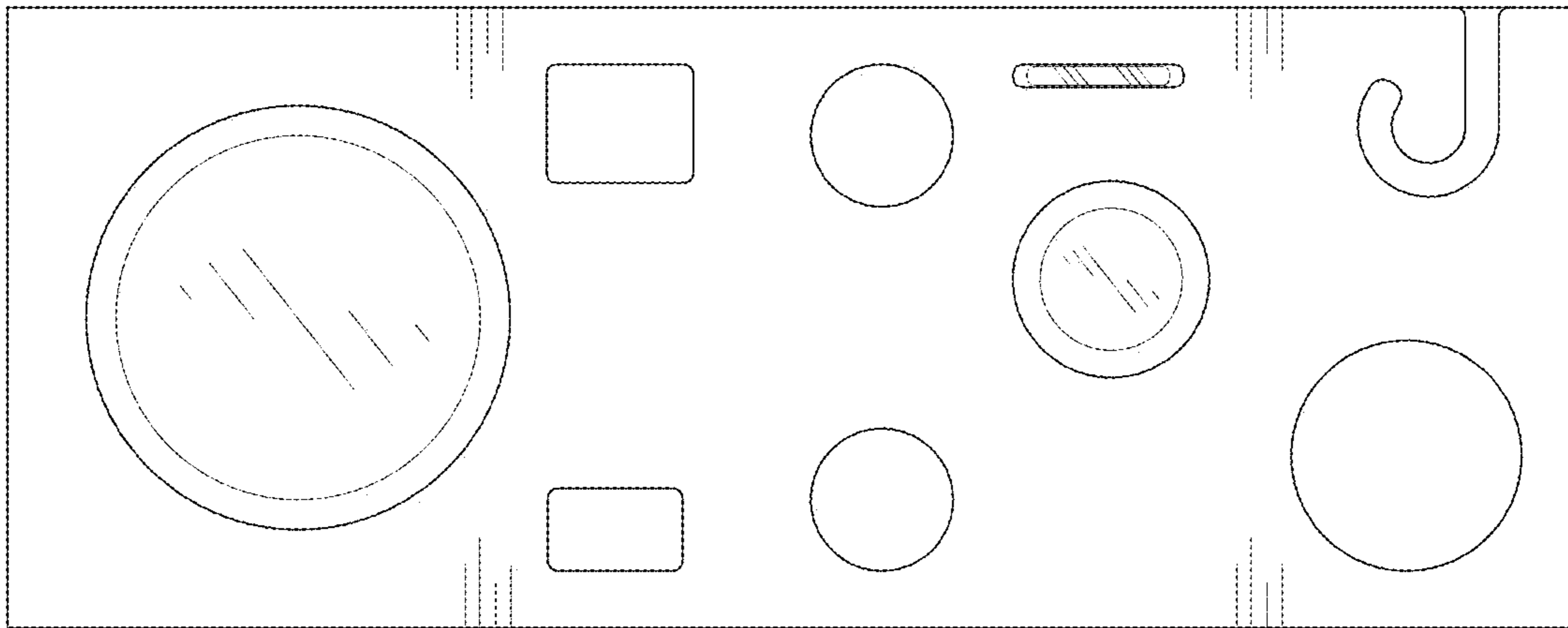


FIG.6

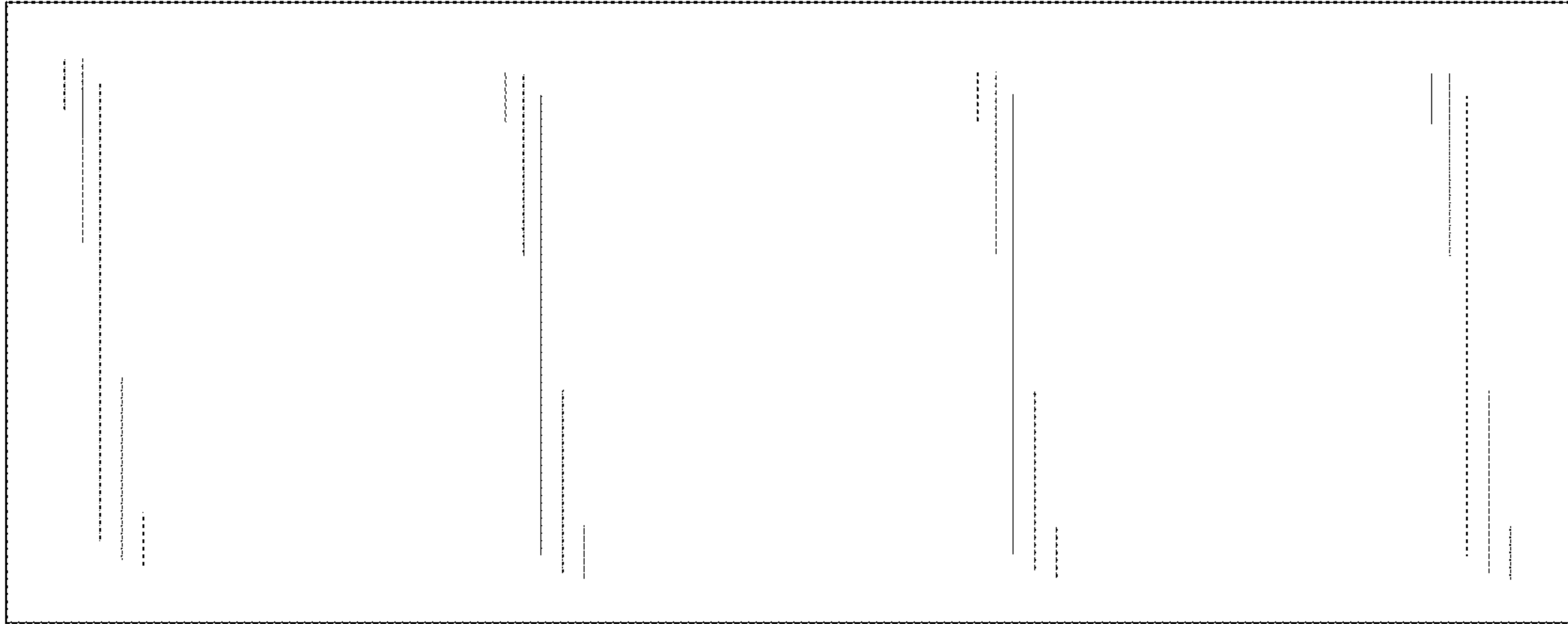


FIG.7