



US00D907448S

(12) **United States Design Patent** (10) **Patent No.:** **US D907,448 S**  
**Bagley** (45) **Date of Patent:** **\*\* Jan. 12, 2021**

(54) **APPLE PARING MACHINE FRAME**

FOREIGN PATENT DOCUMENTS

(71) Applicant: **Progressive International Corporation, Kent, WA (US)**

CN 201930567089.3 \* 10/2019

(72) Inventor: **Justin Bagley, Kent, WA (US)**

OTHER PUBLICATIONS

(73) Assignee: **Progressive International Corporation, Kent, WA (US)**

Jual-Mesin-Kentang-Tornado. Online, published date unknow. Retrieved on Sep. 23, 2020 from URL: <https://www.tokomesin.com/alat-pengiris-kentang-spiral-mks-pss44.html/jual-mesin-kentang-tornado>.\*

(\*\*) Term: **15 Years**

\* cited by examiner

(21) Appl. No.: **29/698,538**

(22) Filed: **Jul. 17, 2019**

*Primary Examiner* — Susan Bennett Hattan

*Assistant Examiner* — Omeed Agilee

(51) **LOC (13) Cl.** ..... **07-06**

(74) *Attorney, Agent, or Firm* — Lowe Graham Jones PLLC

(52) **U.S. Cl.**

USPC ..... **D7/693**

(58) **Field of Classification Search**

USPC ..... D7/368, 649, 669, 672, 673, 693

CPC ..... A23N 7/00; A23N 4/14; A47J 17/16

See application file for complete search history.

(57) **CLAIM**

I claim the ornamental design for an apple paring machine frame, as shown and described.

**DESCRIPTION**

(56) **References Cited**

U.S. PATENT DOCUMENTS

319,332 A	5/1885	Scott	
360,527 A	4/1887	Hudson	
3,211,202 A *	10/1965	Mason	B26D 3/185
			99/592
4,765,234 A *	8/1988	Cailliot	A47J 17/16
			99/593
5,097,758 A *	3/1992	Fresh	A47J 17/16
			241/169
D435,404 S *	12/2000	Gingras	D7/381
D506,649 S *	6/2005	Muro	D7/693
D600,982 S *	9/2009	Sanchez	D7/695
D625,157 S *	10/2010	Blier	D7/683
D689,348 S *	9/2013	Wong	D7/693
D809,336 S *	2/2018	Truong	D7/393
2004/0261634 A1	12/2004	Wang	
2012/0090480 A1	4/2012	Caspar et al.	
2016/0255982 A1	9/2016	Benoit et al.	
2017/0136643 A1	5/2017	Bagley et al.	
2019/0231111 A1 *	8/2019	Cotter	A47J 17/16

FIG. 1 is a top perspective view of an apple paring machine frame, showing my new design.

FIG. 2 is a front elevational view of the apple paring machine frame.

FIG. 3 is a rear elevational view of the apple paring machine frame.

FIG. 4 is a left side elevational view of the apple paring machine frame.

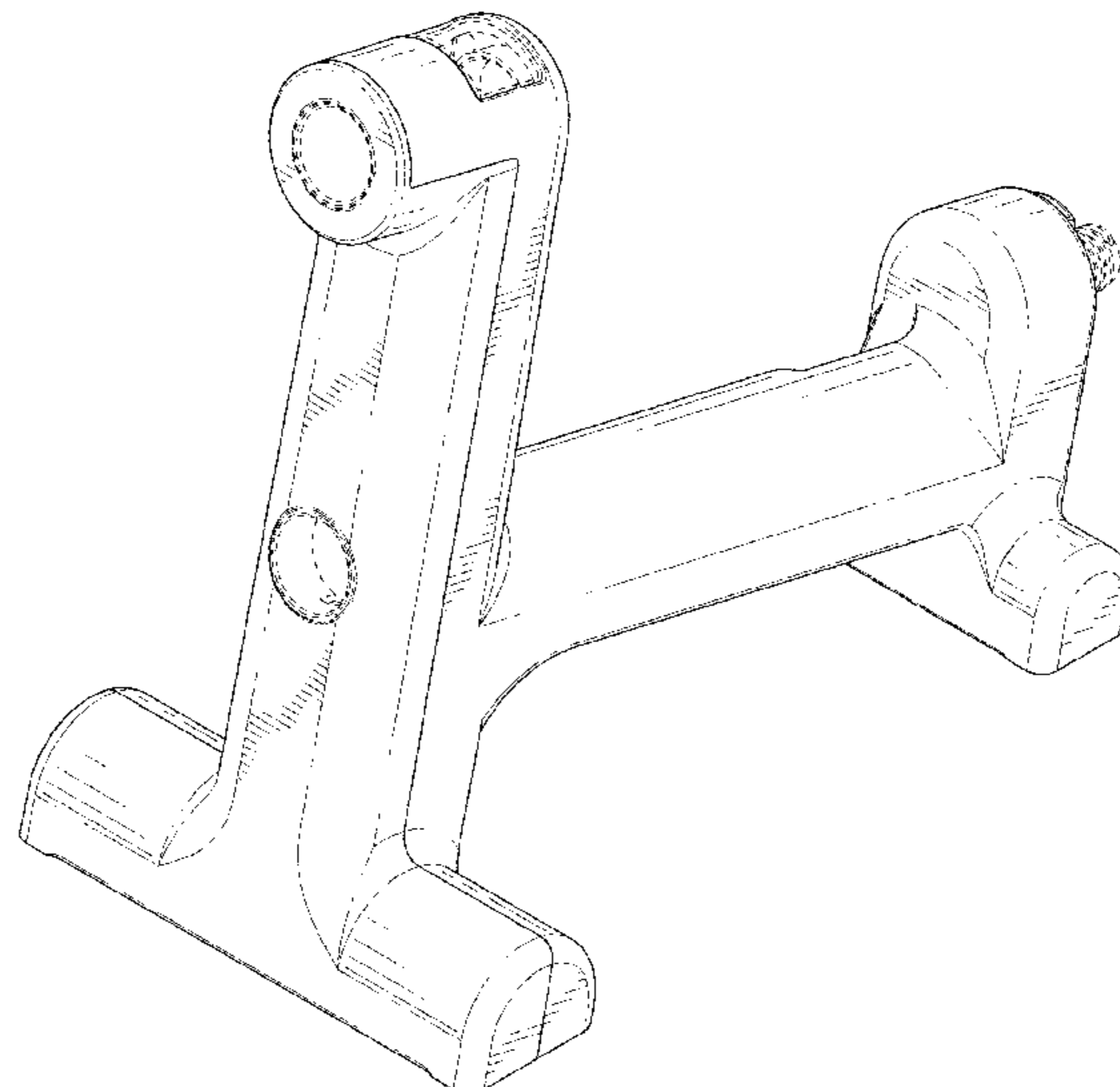
FIG. 5 is a right side elevational view of the apple paring machine frame.

FIG. 6 is a top plan view of the apple paring machine frame; and,

FIG. 7 is a bottom plan view of the apple paring machine frame.

The broken lines are for the purpose of illustrating portions of the apple paring machine frame forming no part of the claimed design.

**1 Claim, 7 Drawing Sheets**



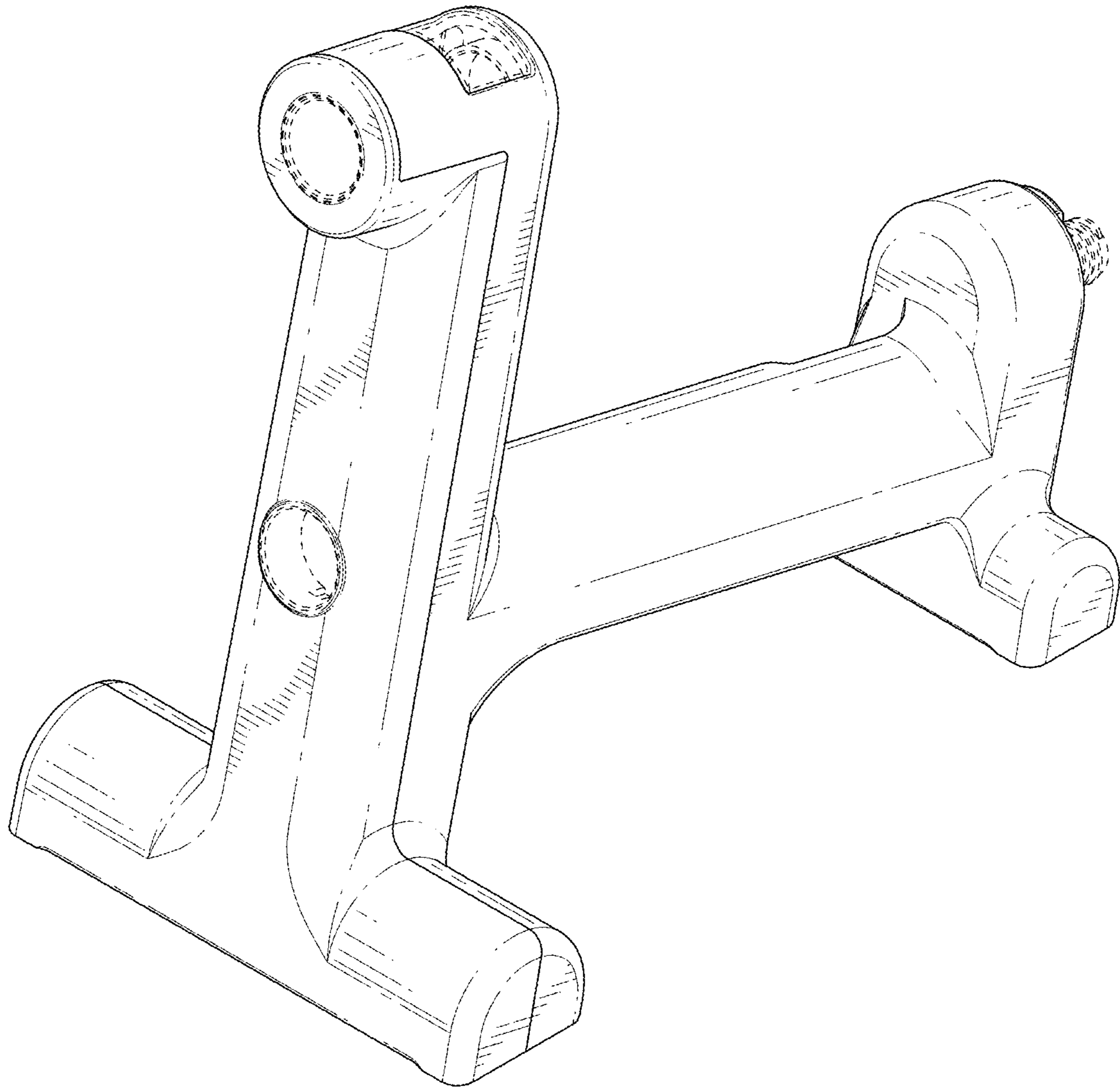


FIG. 1

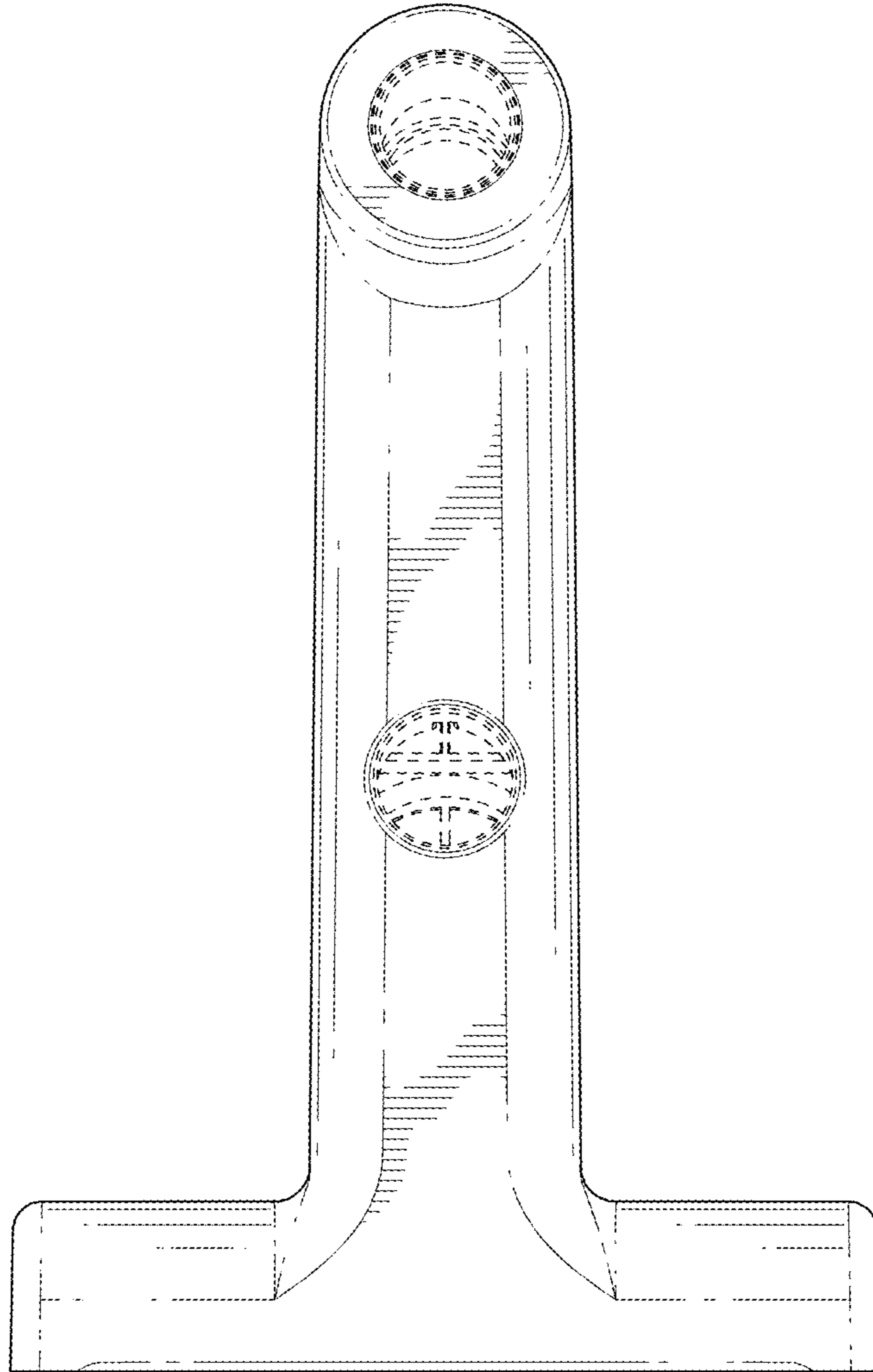


FIG. 2

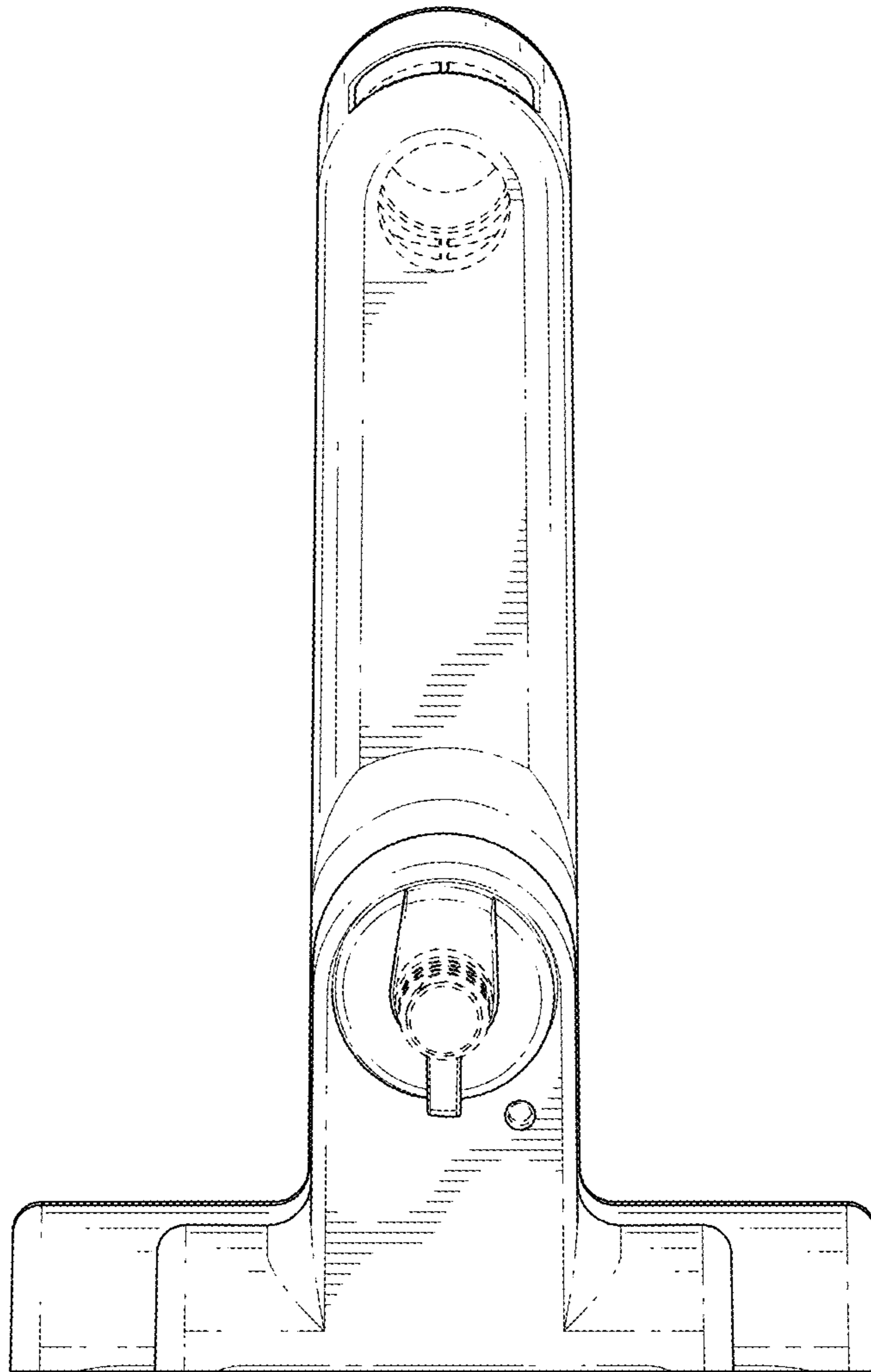


FIG. 3

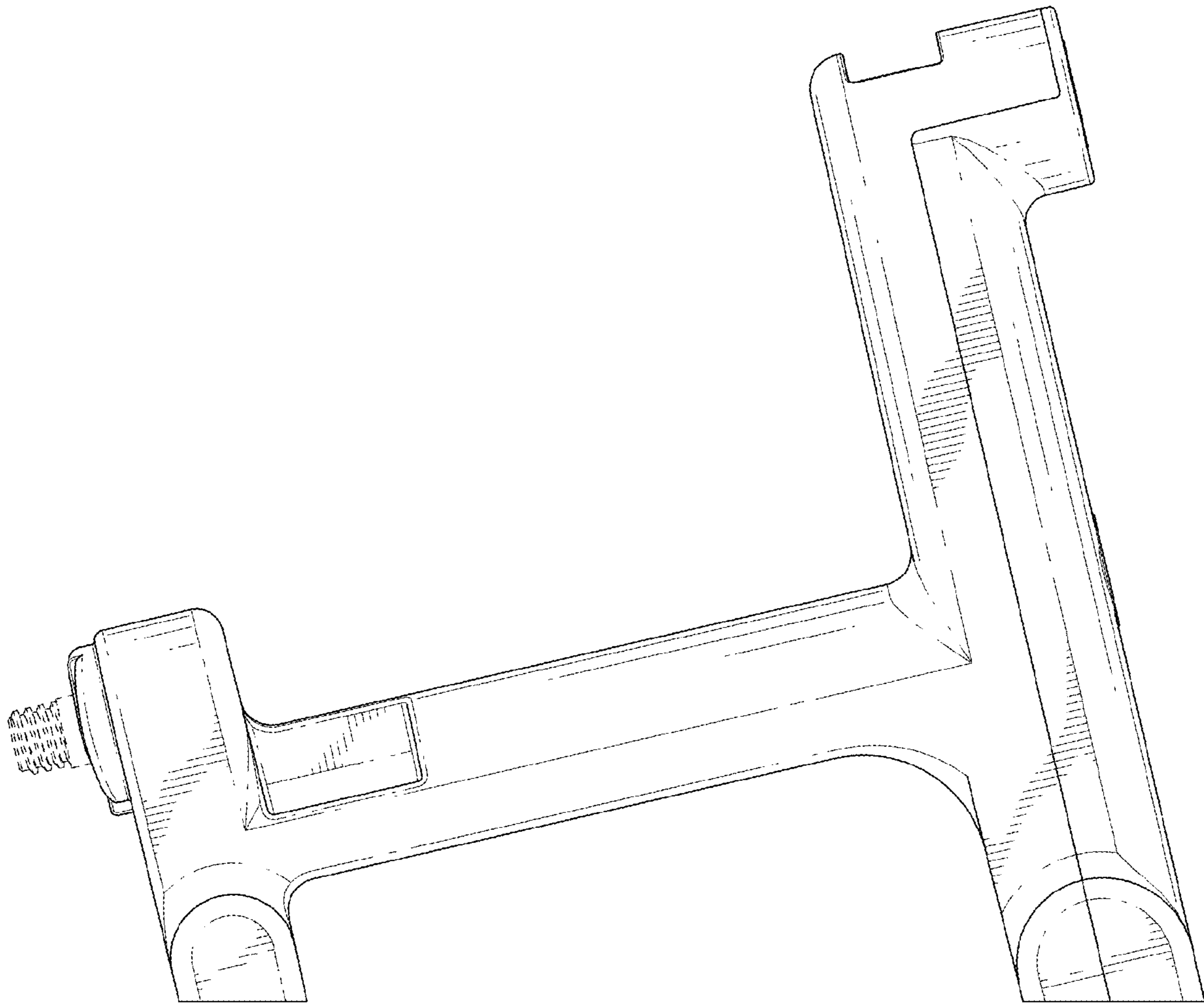


FIG. 4

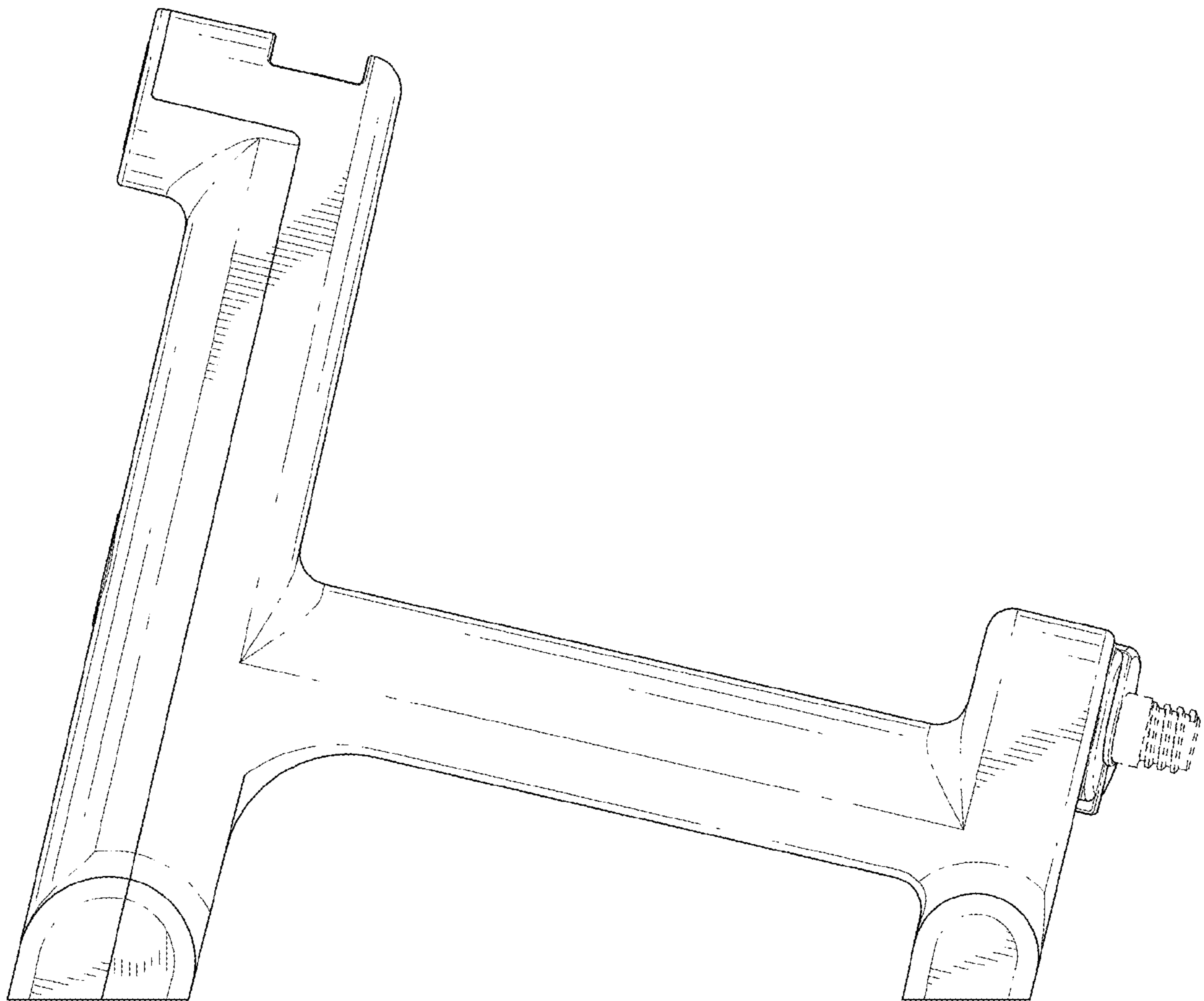


FIG. 5

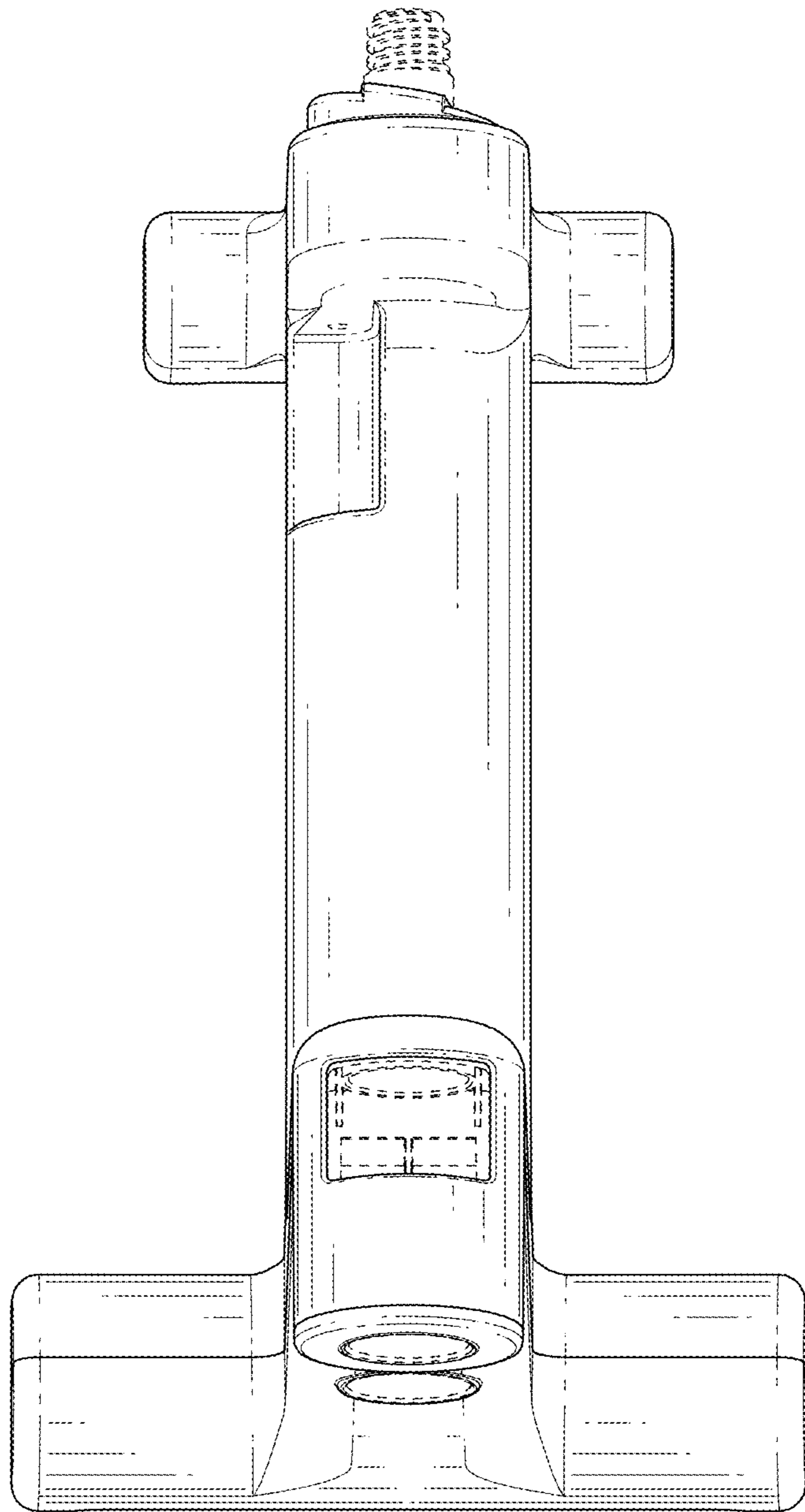


FIG. 6

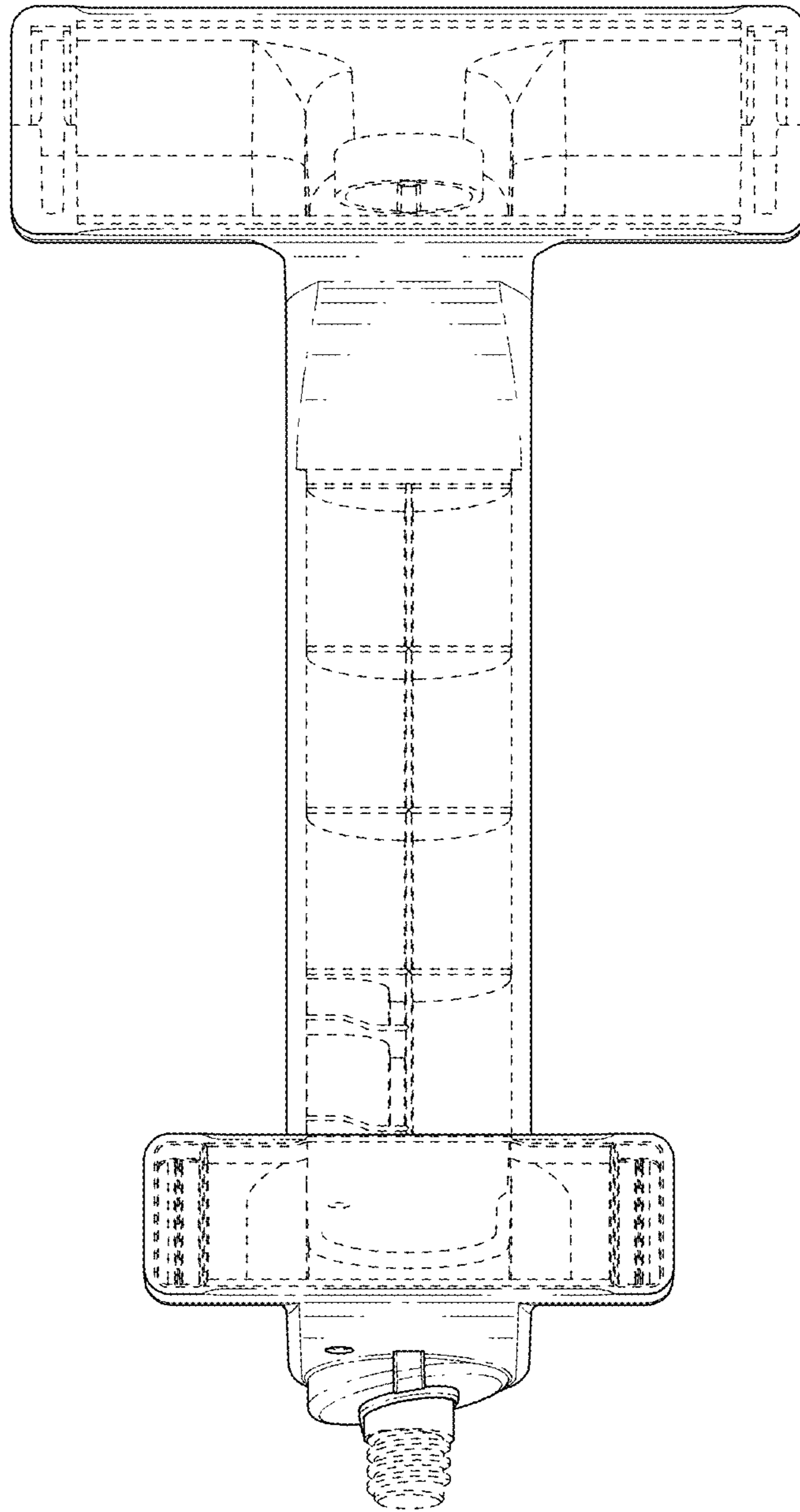


FIG. 7