





# US D907,445 S

D257,218 S	10/1980	Eriksson	5,373,708 A	12/1994	Dumoulin, Jr.
4,249,760 A	2/1981	Conley	D355,568 S	2/1995	Paulin et al.
4,254,850 A	3/1981	Knowles	5,390,811 A	2/1995	Ogino et al.
4,273,223 A	6/1981	Tomlinson	5,402,557 A	4/1995	Dalen
4,343,412 A	8/1982	Wilcox et al.	D358,765 S	5/1995	Dickinson et al.
4,351,165 A	9/1982	Gottsegen et al.	5,419,432 A	5/1995	Ingram
4,446,705 A	5/1984	Loucks	5,423,644 A	6/1995	First, Sr.
4,465,189 A	8/1984	Molzan	5,427,308 A	6/1995	Swift
4,476,988 A	10/1984	Tanner	D359,836 S	7/1995	Shuler
4,509,622 A	4/1985	Morszeck	5,431,263 A	7/1995	Nordstrom
4,515,421 A *	5/1985	Steffes ..... A45C 11/20	5,435,256 A	7/1995	Svehaug
		312/351	D361,888 S	9/1995	Kahl et al.
4,516,686 A	5/1985	Chaussepied	5,454,477 A	10/1995	Bomhorst et al.
4,522,312 A	6/1985	Rathgeber et al.	D364,426 S	11/1995	Bucaccio
4,523,692 A	6/1985	Lemkin	5,465,985 A	11/1995	Devan et al.
4,550,813 A	11/1985	Browning	5,478,097 A	12/1995	Forma
4,561,526 A	12/1985	Winter et al.	D367,360 S	2/1996	Wolff
4,573,202 A	2/1986	Lee	D368,161 S	3/1996	Miller
4,575,109 A	3/1986	Cowdery	D369,342 S	4/1996	Williams
4,592,482 A	6/1986	Seager	D369,695 S	5/1996	Imotani
4,615,464 A	10/1986	Byrns	5,518,139 A	5/1996	Trower et al.
4,662,188 A	5/1987	Hullihan	5,519,919 A	5/1996	Lee
4,673,207 A	6/1987	Reynolds et al.	D370,619 S	6/1996	Hall et al.
4,706,344 A	11/1987	Tanaka et al.	D371,051 S	6/1996	Melk
4,707,011 A	11/1987	McKim, Jr.	D371,052 S	6/1996	Melk
4,712,657 A	12/1987	Myers et al.	5,524,737 A	6/1996	Wang
4,746,008 A	5/1988	Heverly et al.	5,526,953 A	6/1996	Chieng
4,768,815 A	9/1988	Harmon	D371,724 S	7/1996	Melk
4,775,072 A	10/1988	Lundblade et al.	D371,942 S	7/1996	Lippincott et al.
4,802,344 A	2/1989	Livingston et al.	5,533,231 A	7/1996	Bai
4,805,272 A	2/1989	Yamaguchi	D373,514 S	9/1996	Melk
4,826,060 A	5/1989	Hollingsworth	D373,515 S	9/1996	Melk
4,858,444 A	8/1989	Scott	5,564,805 A	10/1996	Dickinson
4,873,841 A	10/1989	Bradshaw et al.	5,568,848 A	10/1996	Liang
4,899,904 A	2/1990	Dooley et al.	5,570,915 A	11/1996	Asadurian
4,904,007 A	2/1990	Woodruff	5,575,362 A	11/1996	Franklin et al.
4,917,261 A	4/1990	Borst	5,603,545 A	2/1997	Benson et al.
4,928,800 A	5/1990	Green et al.	5,620,212 A	4/1997	Bourne et al.
4,930,649 A	6/1990	Moser	5,620,213 A	4/1997	Ellis
4,975,073 A	12/1990	Weisman	5,626,373 A	5/1997	Chambers et al.
4,982,863 A	1/1991	Skillius	5,630,630 A	5/1997	Price et al.
5,011,020 A	4/1991	Stevens et al.	D380,369 S	7/1997	Antonucci
5,014,830 A	5/1991	Seynhaeve	D381,512 S	7/1997	Green
5,024,471 A	6/1991	Kahl et al.	D381,562 S *	7/1997	Westcott ..... D3/309
5,040,834 A	8/1991	Kahl et al.	D381,871 S	8/1997	Melk
5,044,513 A	9/1991	Van Berne	D382,114 S	8/1997	Dickinson et al.
5,062,557 A	11/1991	Mahvi et al.	D383,306 S	9/1997	Pennoyer
5,075,925 A	12/1991	Maloney	D383,603 S	9/1997	Pedlar
5,080,250 A	1/1992	Dickinson et al.	5,662,223 A	9/1997	Sylegangrd
5,096,030 A	3/1992	Espinosa et al.	5,683,097 A	11/1997	Fenton et al.
5,101,541 A	4/1992	Watanabe	5,688,001 A	11/1997	Klein et al.
5,111,920 A	5/1992	Castelli et al.	D387,249 S	12/1997	Mogil
D327,427 S *	6/1992	McCooey ..... D9/722	D387,558 S	12/1997	Mann et al.
5,117,952 A	6/1992	Suh	D387,626 S	12/1997	Melk
D328,186 S	7/1992	Hanke	5,704,158 A	1/1998	Whiteaker
5,139,294 A	8/1992	Ward et al.	5,718,350 A	2/1998	Williams
5,153,561 A	10/1992	Johnson	D392,510 S	3/1998	Perez
5,165,583 A	11/1992	Kouwenberg	5,727,844 A	3/1998	O'Quinn et al.
5,167,433 A	12/1992	Ryan	5,732,987 A	3/1998	Wright et al.
5,169,018 A	12/1992	Fiore	5,755,311 A	5/1998	Younessian et al.
D333,775 S	3/1993	Krape	5,762,242 A	6/1998	Yost
D334,870 S	4/1993	Griffin	5,762,411 A	6/1998	Yemini
D335,030 S	4/1993	Alfonso	5,769,194 A	6/1998	Chang
5,205,413 A	4/1993	Cautereels et al.	5,797,488 A	8/1998	Yemini
5,213,381 A	5/1993	Anderson	5,803,472 A	9/1998	Lien
5,216,905 A	6/1993	Sersch et al.	5,813,503 A	9/1998	Chang
5,235,830 A	8/1993	Benge	5,816,185 A	10/1998	Ruthrford
D340,167 S	10/1993	Kahl	5,826,718 A	10/1998	Ahern, Jr. et al.
D342,609 S	12/1993	Brightbill	5,826,770 A	10/1998	Chuang
5,269,157 A	12/1993	Ciminelli et al.	5,839,553 A	11/1998	Dorsam
5,282,706 A	2/1994	Anthony et al.	5,860,281 A	1/1999	Coffee et al.
5,313,817 A	5/1994	Meinders	5,865,281 A	2/1999	Wang
D347,971 S	6/1994	Krugman	5,875,948 A	3/1999	Sadler
5,319,937 A	6/1994	Fritsch et al.	5,887,745 A	3/1999	Wood
5,322,178 A	6/1994	Foos	5,896,962 A	4/1999	Smith et al.
5,335,451 A	8/1994	Druzynski	5,901,571 A	5/1999	Whaley
D351,533 S	10/1994	Lynam, Jr.	5,904,269 A	5/1999	Wolff
5,353,946 A	10/1994	Behrend	D410,387 S	6/1999	Jacques
5,358,082 A	10/1994	Armstrong, IV	5,924,303 A	7/1999	Hodosh



# US D907,445 S

5,933,929 A	8/1999	Kawakami et al.	6,502,677 B1	1/2003	Tiramani et al.
5,934,716 A	8/1999	Koveal et al.	6,508,389 B1	1/2003	Ripoyla et al.
5,940,940 A	8/1999	Tanikoshi et al.	6,520,514 B2	2/2003	Clegg
5,950,368 A	9/1999	Bradford	D471,711 S	3/2003	Addison
5,956,805 A	9/1999	Huang	6,527,309 B1	3/2003	Gaydos et al.
5,957,321 A	9/1999	Jones	6,532,624 B1	3/2003	Yang
D414,673 S	10/1999	Dickinson et al.	D472,431 S	4/2003	Spence, Jr.
5,971,218 A	10/1999	Le	6,543,096 B2	4/2003	Settelmayer et al.
5,975,334 A	11/1999	Mayo	6,547,218 B2	4/2003	Landy
5,984,064 A	11/1999	Byington	6,547,289 B1	4/2003	Greenheck et al.
5,984,326 A	11/1999	Abraham et al.	6,550,592 B1	4/2003	Godshaw et al.
5,984,382 A	11/1999	Bourne et al.	6,554,327 B1	4/2003	Riley
5,988,658 A	11/1999	Ritchie et al.	D474,649 S	5/2003	Spence, Jr.
6,015,072 A	1/2000	Young	6,574,983 B2	6/2003	Smith et al.
D419,767 S	2/2000	Richardson et al.	6,585,090 B2	7/2003	Harvey
D419,768 S	2/2000	Richardson et al.	D477,916 S	8/2003	Nykoluk
D420,221 S *	2/2000	Williams ..... D3/315	D478,782 S	8/2003	Li
6,047,976 A *	4/2000	Wang ..... A45C 5/03 280/37	6,612,411 B2	9/2003	Nykoluk et al.
6,050,373 A	4/2000	Wonka et al.	6,619,448 B1	9/2003	Wang
6,079,083 A	6/2000	Akashi	D481,293 S	10/2003	Ayrest
6,079,754 A	6/2000	Alexy	6,637,077 B2	10/2003	Doty
D427,882 S	7/2000	Wytcherley et al.	6,637,562 B2	10/2003	Oh
D428,698 S	8/2000	Cheng	D482,593 S	11/2003	Wolf
6,105,767 A	8/2000	Vasudeva	6,640,397 B1	11/2003	Gipson
6,129,231 A	10/2000	Hsiao et al.	6,646,864 B2	11/2003	Richardson
6,135,253 A	10/2000	Weissman et al.	D484,004 S	12/2003	Lee
6,152,501 A	11/2000	Magi et al.	6,658,903 B1	12/2003	McShane et al.
D435,780 S	1/2001	Tieu	6,679,358 B2	1/2004	Be
6,167,994 B1	1/2001	Kuo et al.	6,679,359 B2	1/2004	Pfeiffer
6,170,122 B1	1/2001	Kuo	6,691,451 B1	2/2004	Keenan
6,176,499 B1	1/2001	Conrado et al.	D487,348 S	3/2004	Fenton et al.
6,176,559 B1	1/2001	Tiramani et al.	6,698,608 B2	3/2004	Parker et al.
6,179,176 B1	1/2001	Saggese et al.	6,718,559 B1	4/2004	Davidson
D441,954 S	5/2001	Parker	D489,531 S	5/2004	Oh
6,234,287 B1	5/2001	Pfeiffer	D489,595 S	5/2004	Gleichauf et al.
6,244,064 B1	6/2001	Powell et al.	6,736,265 B2 *	5/2004	Kipper ..... B25H 3/023 206/373
6,244,066 B1	6/2001	Larose	D490,980 S	6/2004	Concari
6,244,458 B1	6/2001	Frysinger et al.	D491,797 S	6/2004	Eriksson
6,247,203 B1	6/2001	Kuo	D492,184 S	6/2004	Parker et al.
6,247,328 B1	6/2001	Mogil	6,755,448 B2	6/2004	Jackson et al.
6,260,240 B1	7/2001	Akashi et al.	D493,286 S	7/2004	Concari
6,279,971 B1	8/2001	Dessenberger, Jr.	6,757,942 B2	7/2004	Matsui et al.
6,289,554 B1	9/2001	Wang	6,761,366 B1	7/2004	Klemmensen et al.
6,289,684 B1	9/2001	Guidry, II et al.	6,779,681 B2	8/2004	Doerfler et al.
D449,163 S	10/2001	Dahlen et al.	6,789,692 B2	9/2004	Prezelin
6,305,185 B1	10/2001	Sloan	6,793,096 B1	9/2004	Seok
D451,278 S	12/2001	Cooper	D497,480 S	10/2004	Drew et al.
6,343,815 B1	2/2002	Poe	D498,053 S	11/2004	Nordstrom et al.
D454,292 S	3/2002	Plummer et al.	D498,054 S	11/2004	Moon
6,353,978 B1	3/2002	Kawahara et al.	6,821,019 B2	11/2004	Mogil
6,357,080 B1	3/2002	Tsai	D500,598 S	1/2005	Ramos
6,360,400 B1	3/2002	Chang	6,877,189 B2	4/2005	Simonson et al.
6,363,739 B1	4/2002	Hodosh et al.	6,883,208 B1	4/2005	Huang
6,367,602 B1	4/2002	Chang	D505,011 S	5/2005	Einav
6,371,320 B2	4/2002	Sagol	6,895,789 B2	5/2005	Masseh, Jr. et al.
6,371,346 B1	4/2002	Sharma	D508,376 S	8/2005	Bhavnani
6,375,237 B1	4/2002	Koenig	6,929,145 B2	8/2005	Shepler
D457,725 S	5/2002	Parsons	6,955,381 B2	10/2005	Parker et al.
6,389,645 B1	5/2002	Polidoro	6,981,780 B2	1/2006	Einav
6,398,272 B1	6/2002	Plummer et al.	6,983,946 B2	1/2006	Sullivan et al.
6,401,308 B1	6/2002	Kawahara	D515,362 S	2/2006	Chan
6,422,386 B1	7/2002	Wiese et al.	D517,947 S	3/2006	Hollingworth et al.
6,427,475 B1	8/2002	DeFelice et al.	7,017,740 B2	3/2006	Itzkovitch
6,427,501 B2	8/2002	Ramsauer	7,028,730 B2	4/2006	Pace et al.
D462,519 S	9/2002	Gaydos et al.	D520,237 S	5/2006	Cheng
6,446,382 B1	9/2002	Cloutier et al.	7,040,115 B1	5/2006	Lopez et al.
6,446,988 B1	9/2002	Kho	D522,811 S	6/2006	Martinez et al.
D464,485 S	10/2002	Sward et al.	D523,242 S	6/2006	Hardigg et al.
6,467,779 B1	10/2002	Mills	7,066,311 B2	6/2006	O'Shea
6,478,463 B2	11/2002	Snider	D525,714 S	7/2006	Ueda
6,481,239 B2	11/2002	Hodosh et al.	7,082,641 B1	8/2006	Jung et al.
D466,439 S	12/2002	Wagner et al.	7,093,699 B2	8/2006	Yu
D467,424 S	12/2002	Hardigg et al.	D528,800 S	9/2006	Liu et al.
D467,425 S	12/2002	Hardigg et al.	D530,095 S	10/2006	Herzberg
D467,426 S	12/2002	Hardigg et al.	7,162,890 B2	1/2007	Mogil et al.
6,497,311 B2	12/2002	Tiramani et al.	D537,251 S *	2/2007	Musgrove ..... D3/201
6,497,438 B1	12/2002	Holub et al.	7,171,731 B1	2/2007	Borcharding
6,499,574 B1	12/2002	Anthony	D539,543 S	4/2007	Wu



# US D907,445 S

D540,540 S	4/2007	Szyf et al.		D624,315 S	9/2010	Amatrudo
D540,651 S	4/2007	Wolf, V		7,806,287 B2	10/2010	Rouns
D540,652 S	4/2007	Wolf, V		D626,451 S	11/2010	Helwig et al.
D544,211 S	6/2007	Herzberg		D627,162 S	11/2010	Weng
7,237,660 B2	7/2007	Wu		D627,199 S	11/2010	Pruchnicki
7,246,704 B2	7/2007	Brunson et al.		7,841,207 B2	11/2010	Mogil et al.
7,246,718 B2	7/2007	Einav et al.		D629,200 S	12/2010	Turella-Yuan et al.
D552,352 S	10/2007	Lin		7,854,321 B2	12/2010	Twig et al.
7,284,393 B1 *	10/2007	Macmillan .....	B62B 1/22 62/457.7	D630,435 S	1/2011	Brunner
				7,861,552 B1	1/2011	Hughes
7,284,763 B1	10/2007	King		7,861,834 B2	1/2011	Gorga et al.
D555,902 S	11/2007	Pendergraph et al.		7,874,047 B2	1/2011	Breeden
7,296,434 B2	11/2007	Scroggs		7,874,408 B2	1/2011	Suppancig
7,306,243 B2	12/2007	Van Horn et al.		D633,300 S	3/2011	Fair
7,309,106 B2	12/2007	Stallman		D634,545 S	3/2011	Fair
D562,646 S	2/2008	Lown et al.		7,909,148 B1	3/2011	Miller et al.
7,334,680 B2	2/2008	Cunningham et al.		D635,366 S	4/2011	Luburic
7,334,802 B2	2/2008	Kaplan		D636,292 S	4/2011	Brown
D563,101 S	3/2008	Kuchler		7,922,052 B2	4/2011	Podsusch
7,344,028 B2	3/2008	Hanson		D637,811 S	5/2011	Hong
D566,479 S	4/2008	Kabalin		7,937,884 B1	5/2011	Naylor et al.
7,367,451 B2	5/2008	Pendergraph et al.		7,959,194 B2	6/2011	Mahoney
7,370,891 B1	5/2008	Schmitt et al.		D642,379 S	8/2011	Buller
D570,601 S	6/2008	Drew et al.		D643,624 S	8/2011	Hong
D570,603 S	6/2008	Wu et al.		7,997,591 B2	8/2011	Arthur
7,387,350 B2	6/2008	Killinger et al.		D644,434 S	9/2011	Miles et al.
D572,577 S	7/2008	Hatton		8,016,153 B2	9/2011	Boenig et al.
7,397,674 B2	7/2008	Schlack		D646,528 S	10/2011	Stallman et al.
D574,150 S	8/2008	Ross		3,037,983 A1	10/2011	Leung
D574,667 S	8/2008	Grabijas, III et al.		D648,538 S	11/2011	Reinhart et al.
D575,059 S	8/2008	Cappiello et al.		D650,585 S	12/2011	Jamison et al.
7,415,794 B1	8/2008	Thompson		8,091,731 B2	1/2012	Kidd et al.
7,418,311 B1 *	8/2008	Lagassey .....	G07F 9/026 221/150 R	8,096,152 B2	1/2012	Wagh et al.
				8,096,442 B2	1/2012	Ramundi
D578,758 S	10/2008	Stevens et al.		8,099,836 B2	1/2012	Breeden et al.
D579,202 S	10/2008	Grenier et al.		D654,694 S	2/2012	Wu
7,434,410 B2	10/2008	Ford		8,141,211 B2	3/2012	Weyer et al.
7,441,641 B2	10/2008	Beakey		D659,395 S	5/2012	Sijmons
D581,161 S	11/2008	Tong		D660,000 S	5/2012	Peterson et al.
D582,678 S	12/2008	Rekuc et al.		8,167,166 B2	5/2012	Kidd et al.
7,458,481 B2	12/2008	Yuen		8,176,749 B2	5/2012	LaMere et al.
7,461,871 B2	12/2008	Vauchel		8,191,747 B2	6/2012	Pruchnicki
7,475,782 B2	1/2009	Lombardi		8,210,353 B2	7/2012	Epicureo
D587,902 S	3/2009	Yoneno		8,214,972 B2	7/2012	Lai
7,503,439 B2	3/2009	O'Shea et al.		D664,891 S	8/2012	Takeda
D590,694 S	4/2009	Stuckey		D665,166 S	8/2012	Khalifa et al.
7,516,520 B2	4/2009	Kelaher et al.		D666,002 S	8/2012	Lai
7,516,842 B2	4/2009	Gu		8,245,868 B2	8/2012	Ikeda et al.
D591,511 S	5/2009	Wu		8,251,113 B2	8/2012	Baxter
7,530,405 B2	5/2009	Kollath et al.		8,251,245 B2	8/2012	DiPietro et al.
7,533,782 B2	5/2009	Parker et al.		D666,831 S	9/2012	Kinskey et al.
7,540,364 B2	6/2009	Sanderson		D666,832 S	9/2012	Kinskey et al.
7,549,652 B2	6/2009	Wu		D667,697 S	9/2012	Shah
D596,400 S	7/2009	Chu et al.		8,256,156 B1	9/2012	Burgoyne, Jr.
D597,652 S	8/2009	Tang		D668,049 S	10/2012	Buller
7,568,739 B2	8/2009	Lee		8,286,828 B2	10/2012	Schafer
7,571,915 B1	8/2009	Simmons		8,287,009 B2	10/2012	Dane et al.
D600,912 S	9/2009	Brunner		8,292,119 B2	10/2012	Kenneally
7,581,656 B2	9/2009	Gnepper et al.		8,297,464 B2	10/2012	Grenier et al.
D602,252 S	10/2009	Ehret		D670,502 S	11/2012	Wu
7,604,290 B1	10/2009	Giordano		8,328,247 B2	12/2012	Tonelli
7,607,540 B2	10/2009	Ballard		8,336,708 B2	12/2012	Potterfield et al.
D607,697 S	1/2010	Whitlock et al.		D674,192 S	1/2013	Li
D608,159 S	1/2010	Whitlock et al.		8,342,580 B2	1/2013	Cowie et al.
D608,601 S	1/2010	Whitlock et al.		8,378,323 B1	2/2013	Spann et al.
D610,349 S	2/2010	Ehret		8,382,171 B2	2/2013	Williams
7,658,269 B2	2/2010	Wu		D677,896 S	3/2013	Wu
7,669,436 B2	3/2010	Mogil et al.		D678,749 S	3/2013	Tung
7,688,584 B1	3/2010	Becklin		D678,750 S	3/2013	Tung
D613,560 S	4/2010	Robichaud et al.		8,424,930 B2	4/2013	Matsubara et al.
7,703,588 B2	4/2010	Chiang		8,430,284 B2	4/2013	Broadbent et al.
7,722,204 B1	5/2010	Sandberg		D681,337 S	5/2013	Wu
D617,561 S	6/2010	Salemo-Tortora		8,459,058 B2	6/2013	Mogil
7,735,261 B2	6/2010	Sellati		8,459,422 B1	6/2013	Efron
D618,966 S	7/2010	Koehler et al.		8,459,487 B2	6/2013	Sharma et al.
D619,423 S	7/2010	Koehler et al.		8,459,495 B2	6/2013	Koenig et al.
D619,854 S	7/2010	Koehler et al.		D685,186 S	7/2013	Massaud
D619,855 S	7/2010	Koehler et al.		8,474,098 B1	7/2013	Yang
7,748,232 B2	7/2010	Kang		8,484,813 B2	7/2013	Taniguchi et al.



# US D907,445 S

8,490,413 B2	7/2013	Blackway et al.		8,925,752 B2	1/2015	Smith	
8,496,133 B2	7/2013	Mizukoshi et al.		D722,771 S	2/2015	Wu	
D688,589 S *	8/2013	Hung .....	D11/148	D722,860 S	2/2015	Linares	
8,505,729 B2	8/2013	Sosnovsky et al.		8,944,476 B1	2/2015	Henderson	
8,517,211 B2	8/2013	Brown et al.		8,960,430 B2	2/2015	Roach et al.	
D688,920 S	9/2013	Manley et al.		8,960,735 B2	2/2015	Michael et al.	
D691,808 S	10/2013	Wu		D724,323 S	3/2015	Wang	
8,544,648 B2	10/2013	Cleveland et al.		8,979,100 B2	3/2015	Bensman et al.	
8,561,264 B2	10/2013	Hasegawa et al.		8,979,101 B2	3/2015	Primiano	
8,561,269 B2	10/2013	LeCompte et al.		8,979,144 B2	3/2015	Paugh et al.	
8,567,631 B2	10/2013	Brunner		8,985,326 B2	3/2015	Halsne et al.	
8,567,796 B2	10/2013	Bar-Erez et al.		8,985,385 B2	3/2015	Parker et al.	
8,572,821 B2	11/2013	Hasegawa		D725,907 S	4/2015	Yu	
8,573,399 B2	11/2013	Ulmer et al.		D727,620 S *	4/2015	Tonelli .....	D3/276
8,590,704 B2	11/2013	Koenig et al.		9,004,274 B2	4/2015	Thornberg	
8,590,724 B2	11/2013	Kreidler et al.		9,004,548 B2	4/2015	Joret et al.	
8,596,485 B2	12/2013	Lindsay		D728,933 S	5/2015	Sanz et al.	
8,596,487 B1	12/2013	Su		D730,050 S	5/2015	Hogan et al.	
8,601,838 B2	12/2013	Hansen et al.		9,027,751 B2	5/2015	Lee	
8,616,600 B2	12/2013	Owen		D730,716 S	6/2015	Weinerman et al.	
D697,717 S	1/2014	Santy		D731,250 S	6/2015	Butler et al.	
8,622,235 B2	1/2014	Sucheck		D732,348 S	6/2015	Seiders et al.	
8,627,972 B2	1/2014	Thomas		D732,349 S	6/2015	Seiders et al.	
D699,100 S	2/2014	Moreau et al.		D732,350 S	6/2015	Seiders et al.	
D699,438 S	2/2014	Mathieu et al.		D732,823 S	6/2015	Baron	
8,640,937 B2	2/2014	Pruchnicki		D732,899 S	6/2015	Seiders et al.	
8,677,661 B2	3/2014	Michels et al.		D732,923 S	6/2015	Rechberg et al.	
8,678,227 B2	3/2014	Patstone		9,045,264 B2	6/2015	Phs	
D701,697 S	4/2014	Sabbag et al.		9,060,577 B2	6/2015	Farrelly et al.	
D703,435 S	4/2014	Wile et al.		9,067,081 B2	6/2015	Roach et al.	
8,683,660 B2	4/2014	Hasegawa et al.		D734,742 S	7/2015	Fujioka	
8,689,396 B2	4/2014	Wolfe et al.		9,079,595 B2	7/2015	Chen et al.	
8,714,568 B2	5/2014	Allam et al.		9,085,403 B2	7/2015	Roach et al.	
8,740,010 B1	6/2014	Page		9,101,186 B2	8/2015	Lai	
8,757,642 B2	6/2014	Arthur et al.		9,108,772 B2	8/2015	Hovatter	
8,757,643 B2	6/2014	Arthur et al.		9,113,686 B1	8/2015	Bishop	
8,757,696 B2	6/2014	Schneider		9,114,909 B2	8/2015	Wagner	
D709,336 S	7/2014	Liebenthal		D738,702 S	9/2015	Linares	
D709,696 S	7/2014	Wu		9,139,352 B2	9/2015	Seiders et al.	
8,763,848 B2	7/2014	Carey		D740,557 S	10/2015	Liao	
8,763,851 B2	7/2014	Jiang et al.		D740,558 S	10/2015	Liao	
8,770,426 B2	7/2014	Arnett et al.		9,163,871 B1	10/2015	Costello	
8,777,045 B2	7/2014	Mitchell et al.		9,169,678 B2	10/2015	Rozema	
D710,099 S	8/2014	Horovitz et al.		D743,171 S	11/2015	Reinhart	
D710,610 S	8/2014	Sijmons et al.		9,187,210 B2	11/2015	Zhu et al.	
D710,614 S	8/2014	Meersschaert		9,193,060 B2	11/2015	Ben-Gigi	
D711,104 S	8/2014	Lai		D744,750 S	12/2015	Sabbag et al.	
D711,646 S	8/2014	Ke		9,198,492 B2	12/2015	Chehebar	
D711,647 S	8/2014	Chen		9,199,370 B2	12/2015	Crull	
D711,648 S	8/2014	Chen		9,199,657 B2	12/2015	Martin	
D711,649 S	8/2014	Chen		9,204,699 B2	12/2015	Pickens et al.	
D712,143 S	9/2014	Chehebar		9,205,551 B2	12/2015	Green et al.	
D714,056 S	9/2014	Weng		9,211,040 B2	12/2015	Lane	
D714,057 S	9/2014	Hou		9,215,918 B2	12/2015	Kao et al.	
D714,064 S	9/2014	Kim		D747,639 S	1/2016	Linares	
8,844,749 B2	9/2014	Manahan et al.		D747,950 S	1/2016	Jacobsen et al.	
8,844,950 B2	9/2014	Greene et al.		D747,951 S	1/2016	Jacobsen et al.	
8,850,666 B2	10/2014	Hasegawa et al.		9,233,465 B2	1/2016	Lai	
8,851,282 B2	10/2014	Brunner		D748,452 S	2/2016	Jacobsen et al.	
8,851,289 B2	10/2014	Shi		9,248,566 B2	2/2016	Horiyama et al.	
8,857,654 B2	10/2014	Mogil et al.		9,254,901 B2	2/2016	Gill	
8,863,975 B2	10/2014	McCanless		9,259,090 B1	2/2016	Cronin	
8,864,185 B2	10/2014	Do		9,259,593 B2	2/2016	Roach et al.	
8,864,189 B2	10/2014	Fournie et al.		9,259,828 B2	2/2016	Bermes	
D717,152 S	11/2014	Weinerman et al.		9,266,462 B2	2/2016	Miller	
D718,051 S	11/2014	Frahm et al.		D750,953 S	3/2016	Jacobsen et al.	
8,875,877 B2	11/2014	Cottle et al.		D752,344 S	3/2016	Green	
8,875,888 B2	11/2014	Koenig et al.		9,272,820 B2	3/2016	Cowie	
8,875,934 B2	11/2014	Deka		9,278,704 B2	3/2016	Cates	
8,881,930 B2	11/2014	Banik		9,290,297 B2	3/2016	Overath	
8,887,515 B2	11/2014	Patstone		D752,862 S	4/2016	Riddiford et al.	
D718,936 S	12/2014	Sanz et al.		9,307,840 B2	4/2016	Restrepo et al.	
D719,351 S	12/2014	Hailwood		9,322,192 B2	4/2016	Burd	
8,905,412 B2	12/2014	Fux		D755,518 S	5/2016	Sijmons	
8,910,788 B2	12/2014	Roach et al.		9,327,887 B2	5/2016	Farentinos et al.	
8,910,819 B2	12/2014	Seiders		9,340,224 B2	5/2016	Yoder et al.	
8,919,596 B2	12/2014	Carino		9,341,003 B2	5/2016	Ely et al.	
D720,599 S	1/2015	Weinerman et al.		9,341,403 B2	5/2016	Conrad et al.	
D720,928 S	1/2015	Roncato		9,346,616 B2	5/2016	Foster	



# US D907,445 S

Page 6

9,351,550 B2	5/2016	Arthur et al.	D811,742 S	3/2018	Ballou et al.
D759,971 S	6/2016	Riddiford et al.	D811,744 S	3/2018	Ballou et al.
9,359,798 B2	6/2016	Greenwood et al.	D812,909 S	3/2018	Morszeck
9,376,050 B1	6/2016	Gill	9,913,518 B2	3/2018	Su
9,387,963 B2	7/2016	McBroom et al.	D814,187 S	4/2018	Caglar
9,393,684 B2	7/2016	Christopher et al.	D815,831 S	4/2018	Tonelli
D762,471 S	8/2016	Green et al.	D815,919 S	4/2018	DeFrancia
D762,977 S	8/2016	Xu	D816,337 S	5/2018	Cheng
9,408,449 B1	8/2016	Tsai	D816,492 S	5/2018	Reinhart
9,415,787 B2	8/2016	Mericle	D817,722 S	5/2018	Bradley
9,427,058 B2	8/2016	Boglione	D818,712 S	5/2018	Fleming et al.
D765,397 S	9/2016	Reinhart	9,968,170 B2	5/2018	Morszeck
D765,406 S	9/2016	Faibish	D819,331 S	6/2018	Ballou et al.
D765,407 S	9/2016	Reinhart	D820,049 S	6/2018	Ahlstrom et al.
D765,408 S	9/2016	Reinhart	9,999,284 B1	6/2018	Tan
D765,409 S	9/2016	Reinhart	D821,824 S	7/2018	Rane et al.
D765,410 S	9/2016	Reinhart	D821,825 S	7/2018	Sullivan et al.
D765,411 S	9/2016	Reinhart	D824,168 S	7/2018	Morszeck
D765,973 S	9/2016	Tonelli et al.	D824,731 S	8/2018	Sullivan et al.
D767,277 S	9/2016	Faibish	10,058,151 B2	8/2018	Morszeck
9,435,578 B2	9/2016	Calderon et al.	D827,304 S	9/2018	Tao
9,443,366 B2	9/2016	Rayner	D828,028 S	9/2018	Seiders et al.
D768,464 S	10/2016	Hatton	D828,029 S	9/2018	Seiders et al.
9,468,277 B2	10/2016	King	D828,112 S	9/2018	Furneaux et al.
D770,179 S	11/2016	Menirom	D829,244 S	9/2018	Sullivan et al.
D771,381 S	11/2016	Sosnovsky et al.	10,080,412 B2	9/2018	Hartmann et al.
D772,577 S	11/2016	Muchin et al.	D830,132 S	10/2018	Sullivan et al.
D773,821 S	12/2016	Reinhart	D830,133 S	10/2018	Sullivan et al.
D773,901 S	12/2016	Marret	D830,134 S	10/2018	Sullivan et al.
9,511,491 B2	12/2016	Brunner	10,086,745 B2	10/2018	Gill
D776,932 S	1/2017	Reinhart	10,088,144 B1	10/2018	Sandberg
D776,934 S	1/2017	Braendle	D832,653 S	11/2018	Waskow et al.
D777,441 S	1/2017	Li	10,124,742 B2	11/2018	Martinez et al.
D777,530 S	1/2017	Marret	10,138,048 B2	11/2018	Mitchell et al.
D778,054 S	2/2017	Li	D834,819 S	12/2018	Burek et al.
D778,707 S	2/2017	Tonelli	D835,470 S	12/2018	Seiders et al.
D779,201 S	2/2017	Beilman et al.	D835,472 S	12/2018	Seiders et al.
9,566,704 B1	2/2017	Stoikos et al.	D835,473 S	12/2018	Jacobsen
9,567,784 B2	2/2017	Defrance et al.	D835,946 S	12/2018	Seiders et al.
D780,523 S	3/2017	Jacobsen	10,143,282 B2	12/2018	Seiders et al.
D780,524 S	3/2017	Jacobsen	10,159,312 B2	12/2018	Ito
D780,525 S	3/2017	Jacobsen	10,160,471 B2	12/2018	Yahav et al.
D784,017 S	4/2017	Hsieh	D836,993 S	1/2019	Meda et al.
9,622,547 B2	4/2017	Seader	D836,996 S	1/2019	Jacobsen
D785,937 S	5/2017	Morszeck	D836,997 S	1/2019	Jacobsen
D786,561 S	5/2017	Seiders et al.	D836,998 S	1/2019	Jacobsen
9,637,294 B2	5/2017	Kinsky	D836,999 S	1/2019	Jacobsen
9,655,418 B2	5/2017	Chien et al.	D837,001 S	1/2019	Jacobsen
D788,460 S	6/2017	Morszeck	D837,515 S	1/2019	Shpitzer
9,669,986 B1	6/2017	Evans	D837,611 S	1/2019	Lane et al.
D792,094 S	7/2017	Stoikos et al.	D838,208 S	1/2019	Hirabayashi et al.
D792,105 S	7/2017	Reinhart	D838,983 S	1/2019	Seiders et al.
D793,089 S	8/2017	Jackson	D838,984 S	1/2019	Seiders et al.
D796,199 S	9/2017	Law	D839,094 S	1/2019	Giraud et al.
D796,838 S	9/2017	Sijmons et al.	D839,682 S	2/2019	Jacobsen
9,809,376 B2	11/2017	Mitchell et al.	D840,150 S	2/2019	Seiders et al.
D804,819 S	12/2017	Faibish et al.	D840,194 S	2/2019	Furneaux et al.
D805,772 S	12/2017	Oshima	D842,048 S	3/2019	Wells
D805,851 S	12/2017	Sullivan et al.	D844,325 S	4/2019	Nelson
9,839,272 B2	12/2017	Licciardino	10,272,934 B2	4/2019	DeFrancia
9,848,681 B1	12/2017	Chen	D848,219 S	5/2019	Munie et al.
9,849,901 B2	12/2017	Jackman	D848,220 S	5/2019	Munie et al.
D806,483 S	1/2018	Stanford et al.	D848,221 S	5/2019	Munie et al.
D807,123 S	1/2018	Carey et al.	D848,222 S	5/2019	Munie et al.
D807,124 S	1/2018	Carey et al.	D848,223 S	5/2019	Munie et al.
D808,164 S	1/2018	Summers	D848,744 S	5/2019	Axelbaum
D808,653 S	1/2018	Rayeski et al.	D848,798 S	5/2019	Munie et al.
D808,655 S	1/2018	Seiders et al.	D849,486 S	5/2019	Munie et al.
D808,730 S	1/2018	Sullivan et al.	10,292,473 B2	5/2019	Meersschaert
9,878,841 B2	1/2018	Holderness et al.	D850,796 S	6/2019	Ricca
D809,293 S	2/2018	Virassamy et al.	D851,401 S	6/2019	Zhang
D809,295 S	2/2018	Ehret	10,314,377 B2	6/2019	Stephens
D810,432 S	2/2018	Ballou et al.	D853,729 S	7/2019	Axelbaum
D810,433 S	2/2018	Ballou et al.	D854,826 S	7/2019	Tonelli
D811,084 S	2/2018	Ballou et al.	10,334,935 B2	7/2019	Chung
D811,090 S	2/2018	Karl	10,350,746 B2	7/2019	Martinez et al.
9,883,724 B2	2/2018	Woode	10,351,330 B2	7/2019	Smith et al.
9,894,971 B2	2/2018	Sciocluna et al.	10,357,874 B2	7/2019	Engvall et al.
9,901,153 B2	2/2018	Nash	D857,386 S	8/2019	Shpitzer



# US D907,445 S

10,376,031	B1	8/2019	Majhess	2008/0230339	A1	9/2008	Pereira
10,378,569	B2	8/2019	Jensen et al.	2008/0245095	A1	10/2008	Schlipman et al.
D859,842	S	9/2019	Frank	2008/0257775	A1	10/2008	Randolph
10,399,748	B2	9/2019	Reinhart	2008/0264946	A1	10/2008	Moschella et al.
10,401,075	B2	9/2019	Bond	2009/0009039	A1	1/2009	Mayes, Jr.
D861,535	S	10/2019	Venables	2009/0014974	A1	1/2009	VanVorst et al.
10,443,918	B2 *	10/2019	Li ..... B65D 25/06	2009/0049859	A1	2/2009	Moon
D869,160	S	12/2019	Seiders et al.	2009/0078593	A1	3/2009	Patstone
D869,244	S	12/2019	Ellison et al.	2009/0080809	A1	3/2009	Pham et al.
D869,848	S	12/2019	Wu	2009/0101460	A1	4/2009	Justham et al.
D872,478	S	1/2020	Seiders et al.	2009/0114646	A1	5/2009	Whalen
D872,485	S	1/2020	Seiders et al.	2009/0114653	A1	5/2009	Schenker
D873,020	S	1/2020	Seiders et al.	2009/0158770	A1	6/2009	Cohrs et al.
10,568,395	B2	2/2020	Hayashi	2009/0173744	A1	7/2009	Hassell
10,568,400	B2	2/2020	Shechter et al.	2009/0194541	A1	8/2009	Mayo
D876,833	S	3/2020	Brunner et al.	2009/0277905	A1	11/2009	Gillan
D878,054	S	3/2020	Reinhart et al.	2010/0072215	A1	3/2010	Coon
10,595,608	B2	3/2020	Korey et al.	2010/0078451	A1	4/2010	Mount
2002/0024189	A1	2/2002	Chen	2010/0108556	A1	5/2010	Claffy
2002/0038745	A1	4/2002	Lamming	2010/0133132	A1	6/2010	Allan
2002/0074332	A1	6/2002	Sagol	2010/0200784	A1	8/2010	Turner
2002/0162841	A1	11/2002	Shamir et al.	2010/0258576	A1	10/2010	Marquez
2002/0185871	A1	12/2002	Straka	2010/0275642	A1	11/2010	Klettner
2002/0195827	A1	12/2002	Jackson et al.	2011/0016911	A1	1/2011	Mosby
2003/0019705	A1	1/2003	Lau	2011/0064332	A1	3/2011	Piazza et al.
2003/0038007	A1	2/2003	Han	2011/0114526	A1	5/2011	Neumann et al.
2003/0038142	A1	2/2003	Gee	2011/0119986	A1	5/2011	Sellers
2003/0106821	A1	6/2003	Bar-Erez	2011/0121002	A1	5/2011	Stiller
2003/0111476	A1	6/2003	Serio	2011/0127264	A1	6/2011	Whalen
2003/0136702	A1	7/2003	Redzisz et al.	2011/0132046	A1	6/2011	Tonelli
2004/0007604	A1	1/2004	Plzak	2011/0181008	A1	7/2011	Bensman et al.
2004/0016854	A1	1/2004	Hart	2011/0182532	A1	7/2011	Baltus
2004/0025306	A1	2/2004	Coffey	2011/0186396	A1	8/2011	Sheikh
2004/0040967	A1	3/2004	Eiskant et al.	2011/0186398	A1	8/2011	Sheikh
2004/0163910	A1	8/2004	Lee	2011/0197625	A1	8/2011	Urban et al.
2004/0178208	A1 *	9/2004	Leba ..... F25D 3/08 220/761	2011/0203328	A1	8/2011	Vilkomirski et al.
				2011/0220531	A1	9/2011	Meether et al.
2004/0246695	A1	12/2004	Schlack	2011/0226003	A1	9/2011	Chaney et al.
2005/0023096	A1	2/2005	Tiramani	2011/0226785	A1	9/2011	Sakell
2005/0099019	A1	5/2005	Hall et al.	2012/0024896	A1	2/2012	Scobey et al.
2005/0103813	A1	5/2005	Edwards	2012/0104012	A1	5/2012	Cowie et al.
2005/0139741	A1	6/2005	Yuen	2012/0168444	A1	7/2012	Shitrit et al.
2005/0150892	A1	7/2005	Miller	2012/0193353	A1	8/2012	Cronin et al.
2005/0180835	A1	8/2005	Schneider	2012/0267208	A1	10/2012	D'Angelo
2005/0199628	A1	9/2005	Van Handel et al.	2012/0273506	A1	11/2012	Adams et al.
2005/0217071	A1	10/2005	Shinner	2012/0286489	A1	11/2012	Bartholomew
2005/0279123	A1	12/2005	Maldonado et al.	2012/0312708	A1	12/2012	Roehm et al.
2006/0011641	A1	1/2006	Sanderson	2013/0068579	A1	3/2013	Mathieu et al.
2006/0017293	A1	1/2006	Tonelli	2013/0140120	A1	6/2013	Rasmussen
2006/0037178	A1	2/2006	Sulhoff	2013/0168196	A1	7/2013	Stanley
2006/0037824	A1	2/2006	Park et al.	2013/0175130	A1	7/2013	Liang
2006/0042897	A1	3/2006	Sanderson	2013/0175276	A1	7/2013	Gleichauf et al.
2006/0049640	A1	3/2006	Lee	2013/0248390	A1	9/2013	Roehm et al.
2006/0180422	A1	8/2006	Lin	2013/0292220	A1	11/2013	Kerley
2006/0196218	A1	9/2006	Mogil et al.	2013/0292221	A1	11/2013	Yan et al.
2006/0213736	A1	9/2006	Godshaw	2013/0307214	A1	11/2013	Groller et al.
2006/0213941	A1	9/2006	Sweeney	2014/0027454	A1	1/2014	Banik
2006/0225981	A1	10/2006	Lin	2014/0062042	A1	3/2014	Wagner et al.
2006/0249412	A1	11/2006	Hernandez et al.	2014/0069832	A1	3/2014	Roehm
2006/0249522	A1	11/2006	Ringo	2014/0130310	A1	5/2014	Roth
2006/0276768	A1	12/2006	Miller et al.	2014/0137370	A1	5/2014	Lo et al.
2007/0039957	A1	2/2007	Shulz et al.	2014/0138384	A1	5/2014	O'Brien
2007/0101754	A1	5/2007	Maldonado	2014/0151388	A1	6/2014	Culeron et al.
2007/0175898	A1	8/2007	Craft et al.	2014/0158028	A1	6/2014	Adams
2007/0235452	A1	10/2007	Killinger et al.	2014/0166516	A1	6/2014	Martinez et al.
2007/0261977	A1	11/2007	Sakai	2014/0197059	A1	7/2014	Evans et al.
2008/0001373	A1	1/2008	Vaughn	2014/0251864	A1	9/2014	Voeller
2008/0029528	A1	2/2008	Mireault	2014/0252010	A1	9/2014	Miller
2008/0042460	A1	2/2008	Fuchs	2014/0265197	A1	9/2014	Russell et al.
2008/0067095	A1	3/2008	Mueller	2014/0271095	A1	9/2014	Umans et al.
2008/0067206	A1	3/2008	Kuhn	2014/0284158	A1	9/2014	Reid
2008/0078637	A1	4/2008	Su	2014/0284243	A1	9/2014	Tucker
2008/0078682	A1	4/2008	Clark et al.	2014/0311361	A1	10/2014	Wangler
2008/0110892	A1	5/2008	House	2014/0311844	A1	10/2014	Meersschaert et al.
2008/0116215	A1	5/2008	Chuang	2014/0319147	A1	10/2014	Horovitz et al.
2008/0156858	A1	7/2008	Perry et al.	2015/0027835	A1	1/2015	Moon
2008/0170388	A1	7/2008	Greil	2015/0034515	A1	2/2015	Monyak et al.
2008/0190940	A1	8/2008	Scott	2015/0069962	A1	3/2015	Dietzel et al.
2008/0196650	A1	8/2008	Femung	2015/0089903	A1	4/2015	Carey



US D907,445 S

2015/0090551	A1	4/2015	Sikka	CN	2132145	Y	5/1993
2015/0114024	A1	4/2015	Grepper	CN	1112819	A	12/1995
2015/0129569	A1	5/2015	Miller	CN	2515999	Y	10/2002
2015/0175338	A1	6/2015	Culp et al.	CN	2549792	Y	5/2003
2015/0189963	A1	7/2015	Lai et al.	CN	1457237	A	11/2003
2015/0190920	A1	7/2015	Karlsson et al.	CN	2664452	Y	12/2004
2015/0208779	A1	7/2015	Tong	CN	3498732		1/2006
2015/0209226	A1	7/2015	Priebe et al.	CN	3498735		1/2006
2015/0233630	A1	8/2015	Bond	CN	2813823	Y	9/2006
2015/0292840	A1	10/2015	Tobin	CN	300690540		9/2007
2015/0296945	A1	10/2015	Douglas	CN	300690541		9/2007
2015/0315532	A1	11/2015	Bergbohm et al.	CN	201076126	Y	6/2008
2015/0352709	A1	12/2015	Diamond	CN	300854008		12/2008
2015/0375558	A1	12/2015	Ben-Or	CN	300856959		12/2008
2015/0375918	A1	12/2015	Holderness et al.	CN	300918117		5/2009
2016/0023837	A1	1/2016	Furneaux et al.	CN	301150817		3/2010
2016/0046417	A1	2/2016	Kromer	CN	301189065		5/2010
2016/0052682	A1	2/2016	Gunnerson et al.	CN	201691232	U	1/2011
2016/0083186	A1	3/2016	Wright	CN	301620134		7/2011
2016/0084454	A1	3/2016	Svitak, Sr. et al.	CN	201919912	U	8/2011
2016/0091239	A1	3/2016	Beland	CN	201938601	U	8/2011
2016/0135563	A1	5/2016	Truong	CN	301711528		11/2011
2016/0138809	A1	5/2016	Colucci et al.	CN	301950501		6/2012
2016/0150862	A1	6/2016	Tonelli	CN	102626271	A	8/2012
2016/0166024	A1	6/2016	Lai	CN	302115731		10/2012
2016/0183651	A1	6/2016	Tonelli	CN	102805467	A	12/2012
2016/0244209	A1	8/2016	Hain	CN	202722894	U	2/2013
2016/0251124	A1	9/2016	Arnold et al.	CN	102948946	A	3/2013
2016/0279840	A1	9/2016	French et al.	CN	202760445	U	3/2013
2017/0079398	A1	3/2017	Reh et al.	CN	302365993		3/2013
2017/0082342	A1*	3/2017	Weinberg ..... F25D 3/08	CN	202874104	U	4/2013
2017/0127782	A1	5/2017	Korey et al.	CN	203182247	U	9/2013
2017/0165829	A1	6/2017	Damberg	CN	203283617	U	11/2013
2017/0173781	A1	6/2017	Damberg	CN	203439475	U	2/2014
2017/0215537	A1	8/2017	Yu	CN	203789329	U	8/2014
2017/0290400	A1	10/2017	Thomas	CN	203814784	U	9/2014
2017/0347765	A1	12/2017	Jackson et al.	CN	204032607	U	12/2014
2018/0035775	A1	2/2018	Haimoff	CN	104433073	A	3/2015
2018/0078008	A1	3/2018	Sturm	CN	204245396	U	4/2015
2018/0087819	A1	3/2018	Triska et al.	CN	303221245		5/2015
2018/0141718	A1	5/2018	Ahlstrom et al.	CN	204409860	U	6/2015
2018/0339820	A1	11/2018	Reinhart et al.	CN	303228513		6/2015
2018/0354687	A1	12/2018	Seiders et al.	CN	303324038		8/2015
2019/0008254	A1	1/2019	Newson	CN	303333672		8/2015
2019/0092530	A1	3/2019	Seiders et al.	CN	201530103483		8/2015
2019/0170422	A1	6/2019	Dexter	CN	303499903		12/2015
2019/0234671	A1	8/2019	Stanford et al.	CN	201530438676		2/2016
2019/0256119	A1	8/2019	Brilhante et al.	CN	201530438792		2/2016
2019/0271433	A1	9/2019	Tonelli	CN	303630971		4/2016
2020/0037719	A1	2/2020	Jaworski et al.	CN	303680031		5/2016
2020/0039056	A1	2/2020	Damberg	CN	303680054		5/2016
2020/0060400	A1	2/2020	Glaser	CN	205521292	U	8/2016
2020/0061802	A1	2/2020	Samsel et al.	CN	303783877		8/2016
2020/0062454	A1	2/2020	Duong et al.	CN	303799176		8/2016
2020/0086905	A1	3/2020	Yao et al.	CN	201630123602		8/2016

FOREIGN PATENT DOCUMENTS

BE	1013040	A3	8/2001	CN	303982382		12/2016
BE	1016429	A3	10/2006	CN	303982387		12/2016
BR	202015031355	U2	6/2017	CN	304000494		1/2017
CA	60997	A	8/1898	CN	304036742		2/2017
CA	72336	A	7/1901	CN	304036750		2/2017
CA	72337	A	7/1901	CN	304050612		2/2017
CA	72338	A	7/1901	CN	304068469		3/2017
CA	73327	A	10/1901	CN	304076890		3/2017
CA	77273		9/1902	CN	106551485	A	4/2017
CA	81456	A	6/1903	CN	304172638		6/2017
CA	152411	A	12/1913	CN	107125891	A	9/2017
CA	175930	A	3/1917	CN	107173938	A	9/2017
CA	175939	A	3/1917	CN	107307551	A	11/2017
CA	2624994	A1	5/2000	CN	107467837	A	12/2017
CA	89737	A	6/2000	CN	206702967	U	12/2017
CA	2483772	A1	4/2005	CN	206880270	U	1/2018
CA	2633223	A1	12/2009	CN	304461798		1/2018
CA	2635328	A1	12/2009	CN	107668874	A	2/2018
CA	2782668	A1	12/2013	CN	304539046		3/2018
CH	365631	A	11/1962	CN	108078109	A	5/2018
CN	2073459	U	3/1991	CN	207428627	U	6/2018
				CN	304692146		6/2018
				CN	304701684		6/2018



# US D907,445 S

Page 9

CN	304749390	7/2018	DE	4042245 A1	7/1991
CN	108497660 A	9/2018	DE	9105033 U1	3/1992
CN	304823694	9/2018	DE	9408707 U1	9/1995
CN	108608804 A	10/2018	DE	29516306 U1	2/1997
CN	207949211 U	10/2018	DE	29815666 U1	11/1998
CN	304836888	10/2018	DE	19755532 A1	6/1999
CN	108741519 A	11/2018	DE	20312950 U1	10/2003
CN	108783799 A	11/2018	DE	20313077 U1	1/2004
CN	108835813 A	11/2018	DE	202004007996 U1	7/2004
CN	108835814 A	11/2018	DE	202004015475 U1	1/2005
CN	304877452	11/2018	DE	202004016959 U1	2/2005
CN	304900938	11/2018	DE	202005014773 U1	11/2005
CN	108945792 A	12/2018	DE	202006001888 U1	4/2006
CN	109043770 A	12/2018	DE	402010002800-0008	6/2010
CN	208192442 U	12/2018	DE	402010002800-0001	7/2010
CN	208192487 U	12/2018	DE	402010002800-0002	7/2010
CN	304995265	1/2019	DE	402010002800-0003	7/2010
CN	305641119	1/2019	DE	402010002800-0004	7/2010
CN	109303399 A	2/2019	DE	402010002800-0007	7/2010
CN	305019548	2/2019	DE	402010002800-0009	7/2010
CN	109431028 A	3/2019	DE	402010002800-0010	7/2010
CN	109497673 A	3/2019	DE	402010002800-0011	7/2010
CN	208581902 U	3/2019	DE	402010002800-0012	7/2010
CN	305050777	3/2019	DE	202012006671 U1	8/2012
CN	305078423	3/2019	DE	102012025617 A1	10/2013
CN	305078424	3/2019	DE	102013004590 A1	9/2014
CN	305111950	4/2019	DE	102013114520 A1	6/2015
CN	305181544	5/2019	DE	202015106823 U1	3/2017
CN	305184268	5/2019	DE	102017122609 A1	3/2019
CN	305242413	7/2019	EM	000134804-0001	6/2004
CN	305283238	8/2019	EM	001606468-0001	9/2009
CN	209403814 U	9/2019	EM	001606468-0002	9/2009
CN	305347993	9/2019	EM	001682428-0001	4/2010
CN	305359134	9/2019	EM	001682428-0002	4/2010
CN	305359135	9/2019	EM	001682428-0003	4/2010
CN	209528183 U	10/2019	EM	001682428-0004	4/2010
CN	305398498	10/2019	EM	001682428-0005	4/2010
CN	209563672 U	11/2019	EM	001682428-0006	4/2010
CN	209628893 U	11/2019	EM	001781865-0001	12/2010
CN	305424085	11/2019	EM	001781865-0006	12/2010
CN	305424089	11/2019	EM	001781865-0007	12/2010
CN	305437133	11/2019	EM	001781865-0008	12/2010
CN	305437134	11/2019	EM	001781899-0006	2/2011
CN	305437137	11/2019	EM	001781899-0009	2/2011
CN	110605939 A	12/2019	EM	002215897-0001	8/2013
CN	209719155 U	12/2019	EM	002277574-0001	8/2013
CN	209719159 U	12/2019	EM	002277574-0002	8/2013
CN	209732871 U	12/2019	EM	002325209-0001	11/2013
CN	209788810 U	12/2019	EM	002325209-0002	11/2013
CN	305476163	12/2019	EM	002569467-0001	11/2014
CN	305488622	12/2019	EM	002569467-0002	11/2014
CN	305499080	12/2019	EM	002569467-0003	11/2014
CN	305518862	12/2019	EM	002569467-0004	11/2014
CN	209931762 U	1/2020	EM	002576728-0013	11/2014
CN	209965461 U	1/2020	EM	002978569-0001	2/2016
CN	305527333	1/2020	EM	003261668-0002	7/2016
CN	305533439	1/2020	EM	003743905-0006	2/2017
CN	305533533	1/2020	EM	004100048-0001	9/2017
CN	305533534	1/2020	EM	004100048-0002	9/2017
CN	305533538	1/2020	EM	004385409-0001	10/2017
CN	305533539	1/2020	EM	004168789-0001	11/2017
CN	305540311	1/2020	EM	004662039-0002	3/2018
CN	305547763	1/2020	EM	004662039-0003	3/2018
CN	305547764	1/2020	EM	005609583-0001	8/2018
CN	305547961	1/2020	EM	005500311-0002	10/2018
CN	210076793 U	2/2020	EM	005500311-0003	10/2018
CN	210114130 U	2/2020	EM	006618583-0001	10/2019
CN	305584095	2/2020	EM	006618583-0002	10/2019
CN	305584098	2/2020	EM	006618583-0003	10/2019
CN	305605578	2/2020	EM	006618583-0004	10/2019
CN	305614805	2/2020	EM	007064233-0002	11/2019
CN	305642338	3/2020	EM	007145461-0012	11/2019
CN	305642339	3/2020	EM	007449095-0001	1/2020
CN	305642418	3/2020	EM	007576806-0001	2/2020
DE	2020368 A1	11/1971	EM	007719141-0001	3/2020
DE	2939826 A1	4/1980	EP	0069419 A1	1/1983
DE	3344410 A1	6/1985	EP	0530067 A1	3/1993
DE	8620597 U1	9/1986	EP	0587451 A1	3/1994
DE	9012845 U1	10/1990	EP	0221215 B1	6/1995



# US D907,445 S

EP	0670791	A1	9/1995	JP	D2001-10753	6/2002
EP	1000865	A1	5/2000	JP	D1193948	1/2004
EP	1059239	A1	12/2000	JP	2006122067 A	5/2006
EP	1080656	A1	3/2001	JP	D1312168	10/2007
EP	1442845	A1	8/2004	JP	D2007-16058	5/2008
EP	1475008	A1	11/2004	JP	D2007-16059	5/2008
EP	1880948	A2	1/2008	JP	D1382214	3/2010
EP	1921009	A1	5/2008	JP	D1382215	3/2010
EP	2024218	A2	2/2009	JP	D1397219	9/2010
EP	2107982	A1	10/2009	JP	D1397346	9/2010
EP	2236428	A1	10/2010	JP	D1408819	3/2011
EP	2330939	A1	6/2011	JP	D1408988	3/2011
EP	2344000	A1	7/2011	JP	2014184051 A	10/2014
EP	2387906	A1	11/2011	JP	2019119506 A	7/2019
EP	2412493	A2	2/2012	KR	3020030024985	9/2003
EP	2441340	A1	4/2012	KR	200362331 Y1	9/2004
EP	2522248	A1	11/2012	KR	20070101643 A	10/2007
EP	2543481	A1	1/2013	KR	20070103598 A	10/2007
EP	2745727	A2	6/2014	KR	3020070008850	12/2007
EP	2826394	A1	1/2015	KR	300492699.0000	5/2008
EP	2829484	A1	1/2015	KR	20090074289 A	7/2009
EP	2829485	A1	1/2015	KR	100921297 B1	10/2009
EP	2904926	A1	8/2015	KR	101267451 B1	5/2013
EP	3013176	A1	5/2016	KR	300908948.0000	7/2014
EP	3027078	A1	6/2016	KR	300887228.0000	12/2016
EP	3073852	A1	10/2016	KR	300908948.0000	6/2017
EP	3216363	A1	9/2017	KR	300908949.0000	6/2017
EP	3351130	A1	7/2018	KR	300915252.0000	7/2017
EP	3403521	A1	11/2018	KR	20180037090 A	4/2018
EP	3581059	A1	12/2019	KR	300968949.0000	8/2018
FR	2179844	A1	11/1973	KR	300982867.0000	11/2018
FR	2223248	A1	10/1974	KR	300983257.0000	12/2018
FR	2638950	A1	5/1990	KR	300990244.0000	1/2019
FR	2689100	A1	10/1993	KR	300990253.0000	1/2019
FR	2711044	A1	4/1995	KR	300996066.0000	3/2019
FR	2712257	A1	5/1995	KR	102054504 B1	12/2019
FR	2809690	A1	12/2001	KR	301037245.0000	12/2019
FR	2870692	A1	12/2005	KR	301037251.0000	12/2019
FR	2912997	A1	8/2008	KR	300740505.0000	3/2020
GB	854540	A	11/1960	KR	301050842.0000	3/2020
GB	1041392	A	9/1966	NL	7504291 A	10/1975
GB	2023550	A	1/1980	NL	8903105 A	7/1991
GB	2023551	A	1/1980	NL	1032860 C1	11/2006
GB	2032814	A	5/1980	RU	00100422 U1	12/2010
GB	2047073	A	11/1980	TR	201708307-0001	2/2018
GB	2023549	A	9/1992	TW	M310869 U	5/2007
GB	2278874	A	12/1994	WO	9400034 A1	1/1994
GB	2291042	A	1/1996	WO	D035637-003	2/1996
GB	2045135	A	2/1996	WO	D036648-008	6/1996
GB	2308803	A	7/1997	WO	9631140 A1	10/1996
GB	2289713	B	12/1997	WO	9748613 A1	12/1997
GB	2421713	A	7/2006	WO	0041937 A1	7/2000
GB	2438189	A	11/2007	WO	0168477 A1	9/2001
GB	2459111	A	10/2009	WO	02064445 A1	8/2002
GB	4036176		7/2014	WO	03041529 A1	5/2003
GB	4037039		10/2014	WO	04076291 A2	9/2004
GB	2575671	A	1/2020	WO	06019314 A1	2/2006
ID	D0000002662-0001		1/2003	WO	06037302 A1	4/2006
IL	55179	A	7/1981	WO	08001029 A1	1/2008
IN	266778		5/2015	WO	2008034603 A1	3/2008
IN	266779-0001		5/2015	WO	09028960 A1	3/2009
IN	276720		2/2016	WO	1135559 A1	3/2011
JE	202005006105	U1	6/2005	WO	11135559 A1	11/2011
JE	202016004315	U1	8/2016	WO	12000497 A1	1/2012
JP	S57-150175	U	9/1982	WO	2012029119 A1	3/2012
JP	S60-164570	A	8/1985	WO	D078390-004	11/2012
JP	H03-066374	U	6/1991	WO	13014670 A1	1/2013
JP	H0574275	A	3/1993	WO	D080557-001	4/2013
JP	H07-102842	A	4/1995	WO	2013126851 A1	8/2013
JP	H08-093298	A	4/1996	WO	14131214 A1	9/2014
JP	2569734	B2	1/1997	WO	14193073 A1	12/2014
JP	2976179	B2	11/1999	WO	2015040526	3/2015
JP	2001-107621	A	4/2001	WO	15087357 A1	6/2015
JP	3177720	B2	6/2001	WO	16072912 A1	5/2016
JP	3197227	B2	8/2001	WO	16091570 A1	6/2016
JP	2001-262907	A	9/2001	WO	17088278 A1	6/2017
JP	3211023	B2	9/2001	WO	17091899 A1	6/2017
JP	D1121506		9/2001	WO	17192694 A1	11/2017
JP	3225244	B2	11/2001	WO	2018012675 A1	1/2018



WO 18169478 A1 9/2018  
 WO 2019238228 A1 12/2019  
 WO 2020030766 A1 2/2020

## OTHER PUBLICATIONS

Pelican Elite 50 Quart Cooler, available Nov. 9, 2016, [online], [site visited Mar. 31, 2018]. Available from internet, <URL: [https://www.amazon.com/Pelican-Elite-Quart-Cooler-White/product-reviews/B01G7KG5PA/ref=cm\\_cr\\_getr\\_d\\_paging\\_btm\\_5?ie=UTF8reviewerType=all\\_reviews&sortBy=recent&pageNumber=5](https://www.amazon.com/Pelican-Elite-Quart-Cooler-White/product-reviews/B01G7KG5PA/ref=cm_cr_getr_d_paging_btm_5?ie=UTF8reviewerType=all_reviews&sortBy=recent&pageNumber=5) (Year:2016).

Pelican Storm Waterproof Case, available Jul. 27, 2009, [online], [site visited Mar. 31, 2018]. Available from internet, <URL: [https://www.amazon.com/dp/B002JB07D8?axitk=EqSpVoa9QpKAGqst7rmxMA&pd\\_rd\\_i=B002JB07D8&pf\\_rd\\_m=ATVPDKIKX0DER&PF](https://www.amazon.com/dp/B002JB07D8?axitk=EqSpVoa9QpKAGqst7rmxMA&pd_rd_i=B002JB07D8&pf_rd_m=ATVPDKIKX0DER&PF) (Year: 2009).

Outdoor Products Small Watertight Dry Box, Blue, available May 31, 2016, [online], [site visited Mar. 31, 2018]. Available from Internet, <URL: <https://www.walmart.com/ip/Outdoor-Products-Small-Watertight-Dry-Box-Blue/26674162> (Year: 2016)

Sep. 20, 2018—(WO) International Search Report and Written Opinion—APP. PCT/US2018/037100.

yeti.com, Images of Loadout Bucket Web Page visited on Mar. 17, 2020, at [https://www.yeti.com/en\\_US/buckets/loadout-5-gallon-bucket/YLOB5.html?dwvar\\_YLOB5\\_color=white&cgid=buckets#start=1](https://www.yeti.com/en_US/buckets/loadout-5-gallon-bucket/YLOB5.html?dwvar_YLOB5_color=white&cgid=buckets#start=1) <[https://www.yeti.com/en\\_US/buckets/loadout-5-gallon-bucket/YLOB5.html?dwvar\\_YLOB5\\_color=white&cgid=buckets](https://www.yeti.com/en_US/buckets/loadout-5-gallon-bucket/YLOB5.html?dwvar_YLOB5_color=white&cgid=buckets)>.

amazon.com, “Top Shelf Custom Injection Molded ABS Saddlebag Organizer Tray, 2014—Current H-D ABS Hard Bags, LFT by Advanced Accessory Concepts LLC,” visited Oct. 16, 2019 and revisited Jan. 6, 2020 at [https://www.amazon.com/Custom-Injection-Molded-Saddlebag-Organizer/dp/B01MQWBM40/ref=sr\\_1\\_38?keywords=luggage+hard+removable+liner&qid=1571270714&sr=8-38](https://www.amazon.com/Custom-Injection-Molded-Saddlebag-Organizer/dp/B01MQWBM40/ref=sr_1_38?keywords=luggage+hard+removable+liner&qid=1571270714&sr=8-38).

amazon.com, “Pelican Air 1615 Travel Case—Suitcase Luggage (Blue) by Pelican,” visited Oct. 16, 2019 and revisited Jan. 6, 2020 at [https://www.amazon.com/Pelican-Air-1615-Travel-Case/dp/B07XGHDK66?ref=ast\\_sto\\_dp](https://www.amazon.com/Pelican-Air-1615-Travel-Case/dp/B07XGHDK66?ref=ast_sto_dp).

amazon.com, “Pelican 015100-0050-110 Protector Carry-On Case Black w/TrekPak Insert: Camera & Photo,” visited Oct. 16, 2019 and revisited Jan. 6, 2020 at [https://www.amazon.com/Pelican-1510TP-Carry-TrekPak-Divider/dp/B01E4E1BFK/ref=sr\\_1\\_48?crid=3CJLVWN9DJ62R&keywords=carry+on+organizer+insert&qid=1571270299&sprefix=carry+on+organizer%2Caps%2C143&sr=8-48](https://www.amazon.com/Pelican-1510TP-Carry-TrekPak-Divider/dp/B01E4E1BFK/ref=sr_1_48?crid=3CJLVWN9DJ62R&keywords=carry+on+organizer+insert&qid=1571270299&sprefix=carry+on+organizer%2Caps%2C143&sr=8-48).

amazon.com, “Samsonite F’Lite GT 31” Hardside Wheeled Luggage (Vivid Blue),” visited Dec. 16, 2019 and revisited Jan. 7, 2020 at <<https://www.amazon.com/Samsonite-Flite-Spinner-Black-Size/dp/B01LTG2XVC?th=1>> Samsonite F’Lite GT 31” Hardside Wheeled Luggage (Vivid Blue).

alibaba.com, “Removable Spinner Wheels for Suitcase Replacement Suitcase Luggage,” visited Dec. 16, 2019 and revisited Jan. 7, 2020 at [https://www.alibaba.com/product-detail/Removable-Spinner-Wheels-For-Suitcase-Replacement\\_605641600](https://www.alibaba.com/product-detail/Removable-Spinner-Wheels-For-Suitcase-Replacement_605641600).

amazon.com, “Lockable Tackle Box Fishing Waterproof Fly Fishing Box Double Sided Ice Fishing Tackle Case Box Storage Waterproof: 360 Degree Rubber Gasket, Durable Plastic Construction Double Sided Triangle-Cut For,” visited Dec. 16, 2019 and revisited Jan. 7, 2020 at <<https://www.amazon.com/Lockable-Tackle-Fishing-Waterproof-Storage/dp/B07MFF6S6N>>.

yankodesign.com, “Vacuum Packed Suitcase,” visited Dec. 16, 2019 and revisited Jan. 7, 2020 at <<https://www.yankodesign.com/2011/11/28/vacuum-packed-suitcase/>>.

alibaba.com, “Portable Luggage Wheels for Luggage Trolley Bags & Suitcase,” visited Dec. 16, 2019 and revisited Jan. 7, 2020 at [https://www.alibaba.com/product-detail/Portable-Luggage-Wheels-for-luggage-Trolley\\_1854722793.html](https://www.alibaba.com/product-detail/Portable-Luggage-Wheels-for-luggage-Trolley_1854722793.html).

northerntool.com, “Dewalt 28in. Wheeled Toolbox, Model# DWST28100,” visited on Apr. 6, 2020 at [https://www.northerntool.com/shop/tools/product\\_200726534\\_200726534](https://www.northerntool.com/shop/tools/product_200726534_200726534).

amazon.com, “Grey: Akro-Mils 33105 Akro-Grid Slotted Divider Plastic Tote Box,” visited on Apr. 6, 2020 at <https://www.amazon.in/Grey-Akro-Mils-Akro-Grid-Slotted-Divider/dp/B004C044VU>.

yeti.com, Images of Loadout Bucket Web Page visited on Mar. 17, 2020, at [https://www.yeti.com/en\\_US/buckets/loadout-5-gallon-bucket/YLOB5.html?dwvar\\_YLOB5\\_color=white&cgid=buckets#start=1](https://www.yeti.com/en_US/buckets/loadout-5-gallon-bucket/YLOB5.html?dwvar_YLOB5_color=white&cgid=buckets#start=1) <[https://www.yeti.com/en\\_US/buckets/loadout-5-gallon-bucket/YLOB5.html?dwvar\\_YLOB5\\_color=white&cgid=buckets](https://www.yeti.com/en_US/buckets/loadout-5-gallon-bucket/YLOB5.html?dwvar_YLOB5_color=white&cgid=buckets)>.

northerntool.com, “Dewalt 28in. Wheeled Toolbox, Model# DWST28100,” visited on Apr. 6, 2020 at [https://www.northerntool.com/shop/tools/product\\_200726534\\_200726534](https://www.northerntool.com/shop/tools/product_200726534_200726534).

walmart.com, “Sterilite 151L Black Wheeled Industrial Tote,” visited on Apr. 6, 2020 at <https://www.walmart.ca/en/p/sterilite-151l-black-wheeled-industrial-tote/6000195957310>.

globalindustrial.com, “Contico UK3725-4 Rolling Pro Tuff Work Box,” visited on Apr. 6, 2020 at <https://www.globalindustrial.com/p/tools/tool-storage/Jo-Site/rolling-pro-tuff-work-box?infoParam.campaignId=T9F>.

amazon.com, “Grey: Akro-Mils 33105 Akro-Grid Slotted Divider Plastic Tote Box,” visited on Apr. 6, 2020 at <https://www.amazon.in/Grey-Akro-Mils-Akro-Grid-Slotted-Divider/dp/B004G044VU>.

globalindustrial.com, “Global Industrial™ Plastic Dividable Grid Container,” visited on Apr. 6, 2020 at <https://www.globalindustrial.com/p/storage/bins-totes-containers/dividable-grid/grid-wall-bin-stackable-1>.

globalindustrial.com, “Straight Wall Container Solid,” visited on Apr. 6, 2020 at <https://www.globalindustrial.com/p/storage/bins-totes-containers/stacking-containers/straight-wall-container-12x7-2-5x5>.

Lowe’s, “Craftsman 37-in Black Plastic Wheels Lockable Tool Box,” <https://www.lowes.com/pd/Craftsman-37-in-Black-Plastic-Wheeled-Lockable-Tool-Box/1000578337>.

Home Depot, “Husky 37 in. Rolling Tool Box Utility Cart Black,” <<https://www.homedepot.com/p/Husky-37-in-Rolling-Tool-Box-Utility-Cart-Black-209261/203668066>>.

B&H, “Nanuk 960 Protective Rolling Case with Dividers and Organizer (Black),” [https://www.bhphotovideo.com/c/product/1504703-REG/nanuk\\_960\\_6001\\_960\\_waterproof\\_hard\\_case.html](https://www.bhphotovideo.com/c/product/1504703-REG/nanuk_960_6001_960_waterproof_hard_case.html). May 12, 2020—(WO) Partial International Search—PCT/US2020/012404.

\* cited by examiner

*Primary Examiner* — Terry A Wallace

(74) *Attorney, Agent, or Firm* — Banner & Witcoff, Ltd.

(57) **CLAIM**

The ornamental design for container accessories, as shown and described.

**DESCRIPTION**

FIG. 1 is a top, front, left perspective view of container accessories showing our new design;

FIG. 2 is a front view thereof;

FIG. 3 is a top view thereof;

FIG. 4 is a right side view thereof;

FIG. 5 is a left side view thereof;

FIG. 6a is a top, front, left perspective exploded view of container accessories showing our new design;

FIG. 6b is a top, front, left perspective exploded view of an alternate configuration of container accessories showing our new design;

FIG. 7 is a top, front, left perspective view of an enlarged caddy accessory of container accessories showing our new design;

FIG. 8 is a bottom, rear, right perspective view thereof;

FIG. 9 is a front view thereof;



FIG. 10 is a rear view thereof;  
FIG. 11 is a right side view thereof;  
FIG. 12 is a left side view thereof;  
FIG. 13 is a top view thereof;  
FIG. 14 is a bottom view thereof;  
FIG. 15 is a top, front, right perspective view of an enlarged divider accessory of container accessories showing our new design;  
FIG. 16 is a bottom, rear, left perspective view of the divider thereof;  
FIG. 17 is a front view thereof;  
FIG. 18 is a rear view thereof;  
FIG. 19 is a right side view thereof;  
FIG. 20 is a left side view thereof;  
FIG. 21 is a top view thereof;  
FIG. 22 is a bottom view thereof;  
FIG. 23 is a top, front, right perspective of an enlarged bag accessory of container accessories showing our new design;  
FIG. 24 is a bottom, rear, left perspective view thereof;  
FIG. 25 is a front view thereof;  
FIG. 26 is a rear view thereof;  
FIG. 27 is a left side view thereof;  
FIG. 28 is a right side view thereof;  
FIG. 29 is a top view thereof; and,  
FIG. 30 is a bottom view thereof.  
The even-length broken lines within the shaded area represent stitching.  
FIGS. 7-30, showing the caddy, divider and bag accessory, are shown separate for clarity of illustration.

**1 Claim, 26 Drawing Sheets**



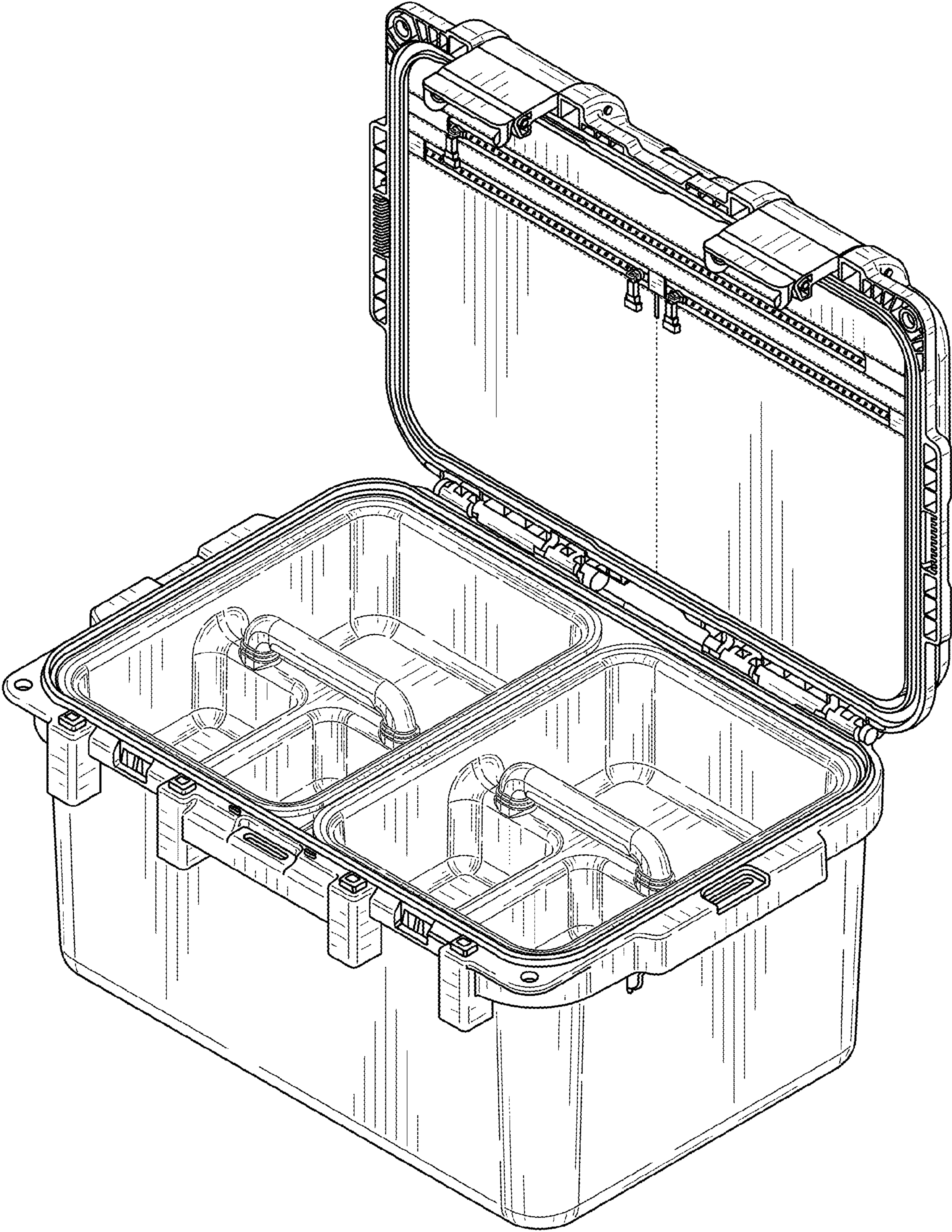


FIG. 1



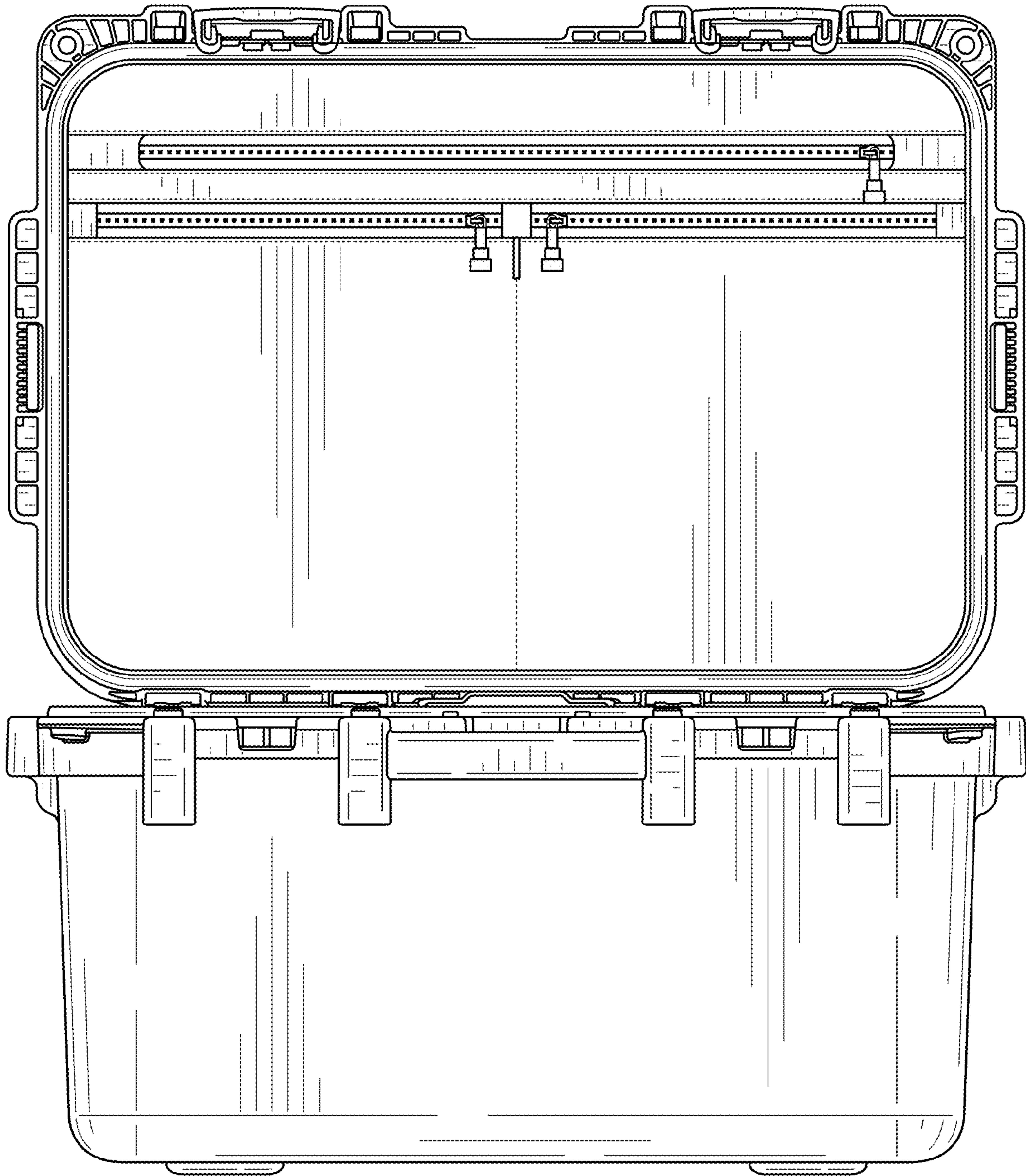


FIG. 2



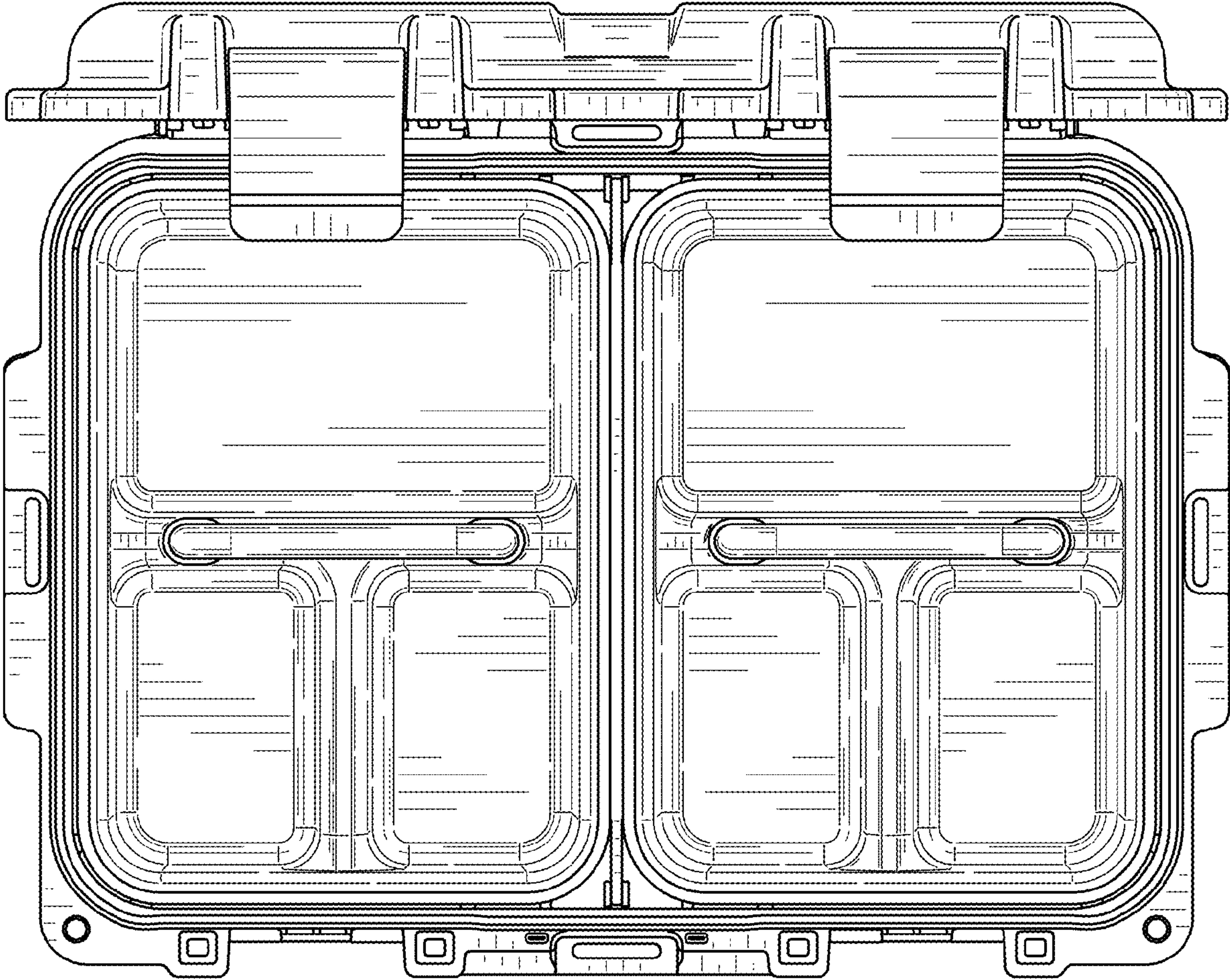


FIG. 3



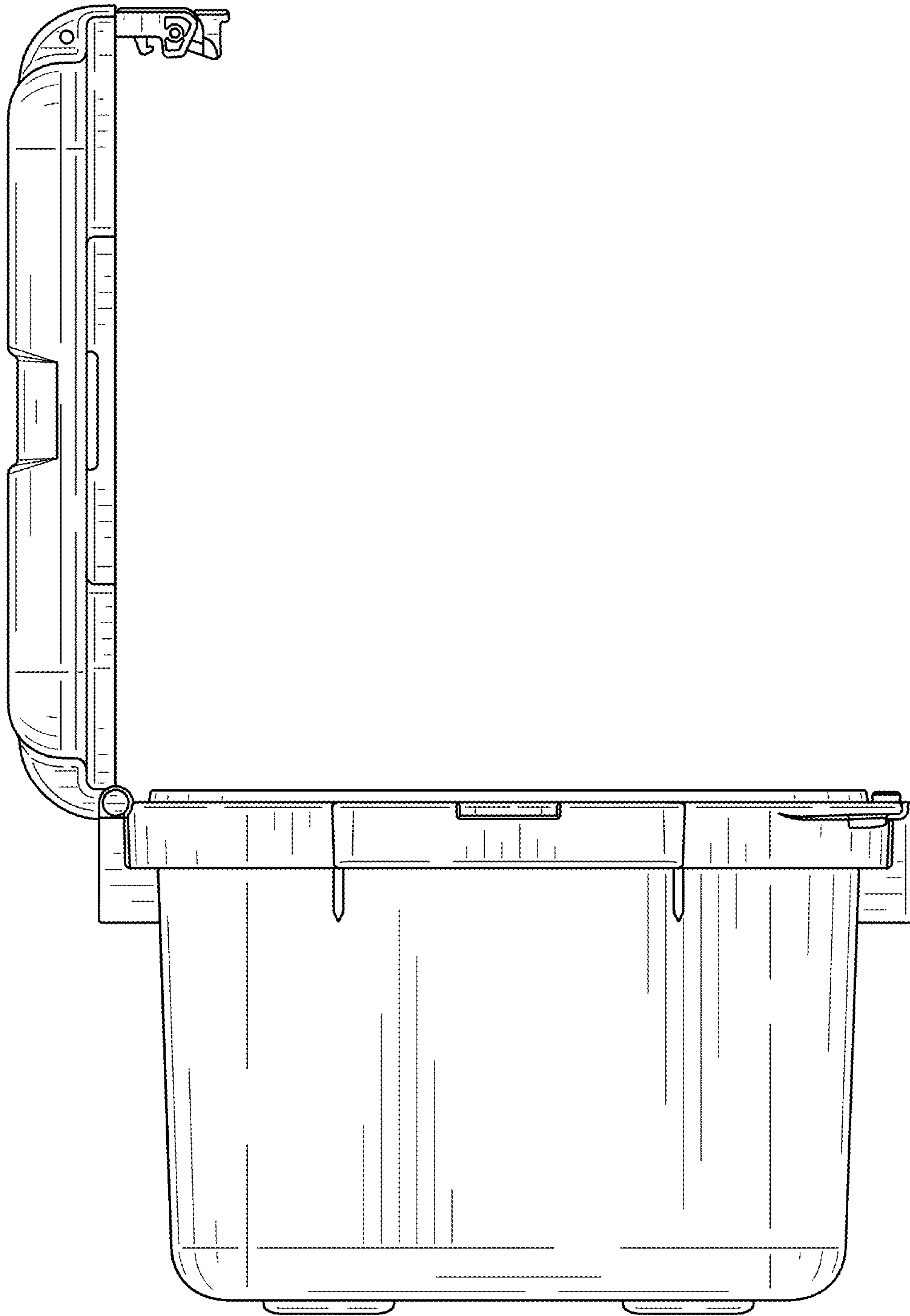


FIG. 4



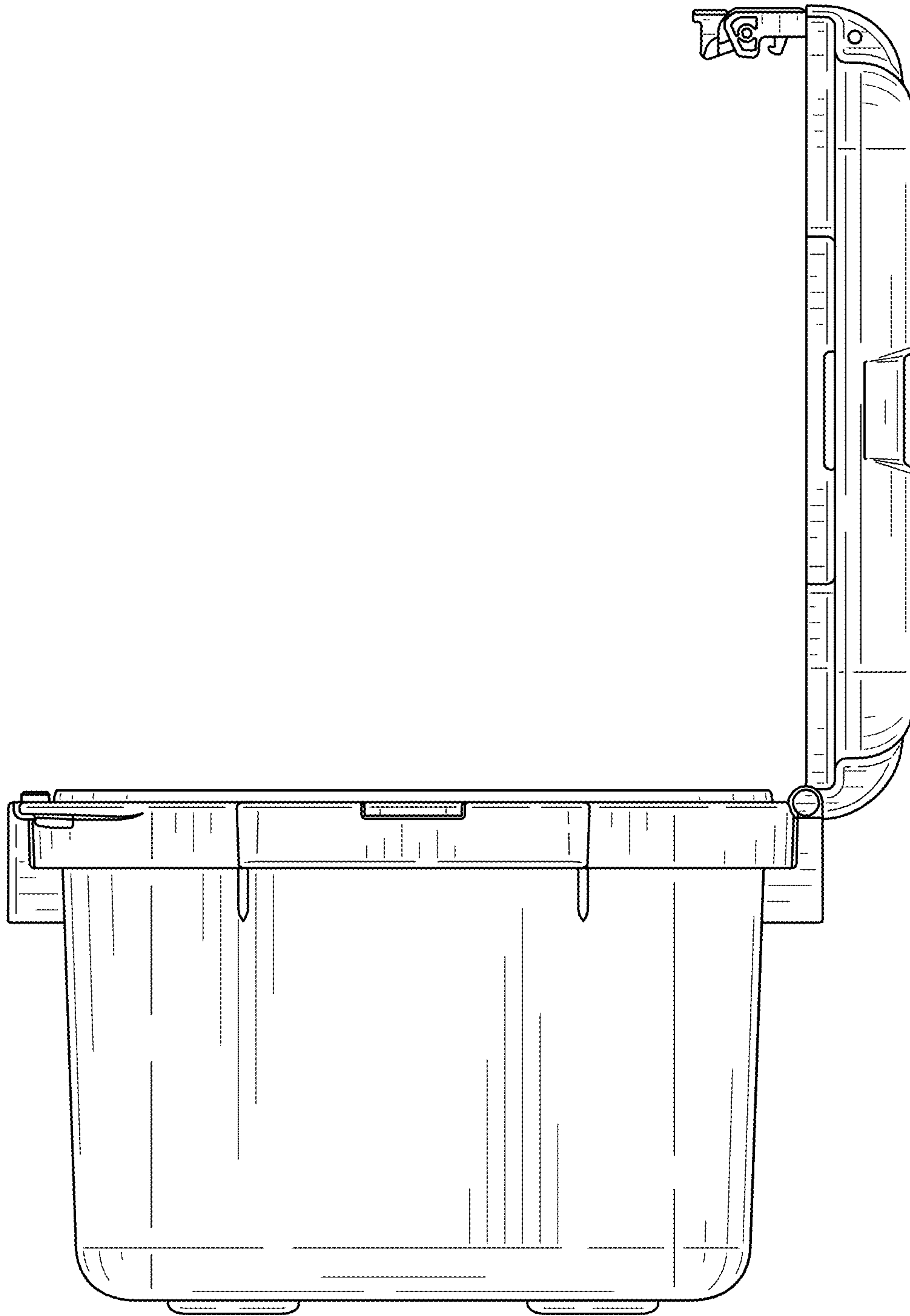


FIG. 5



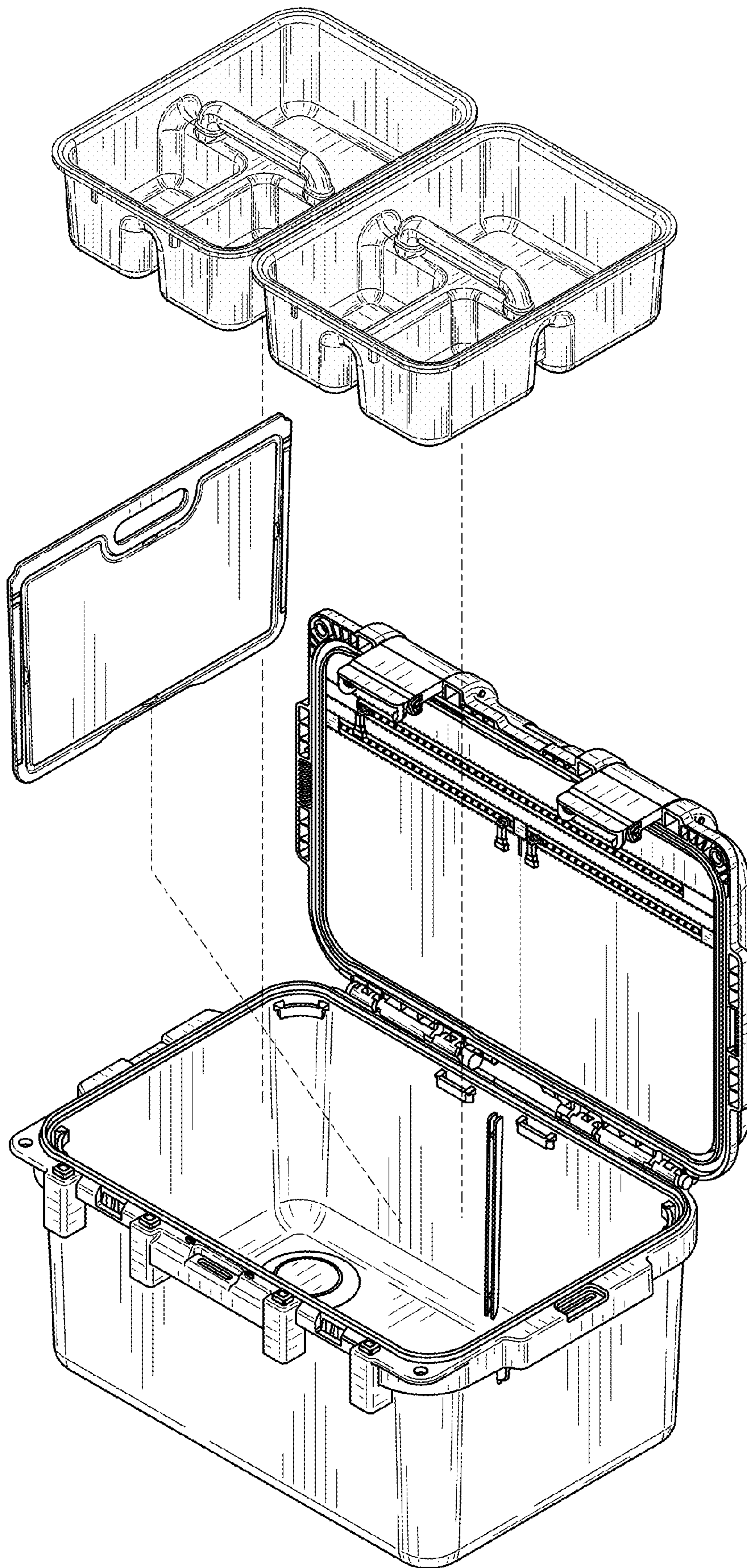
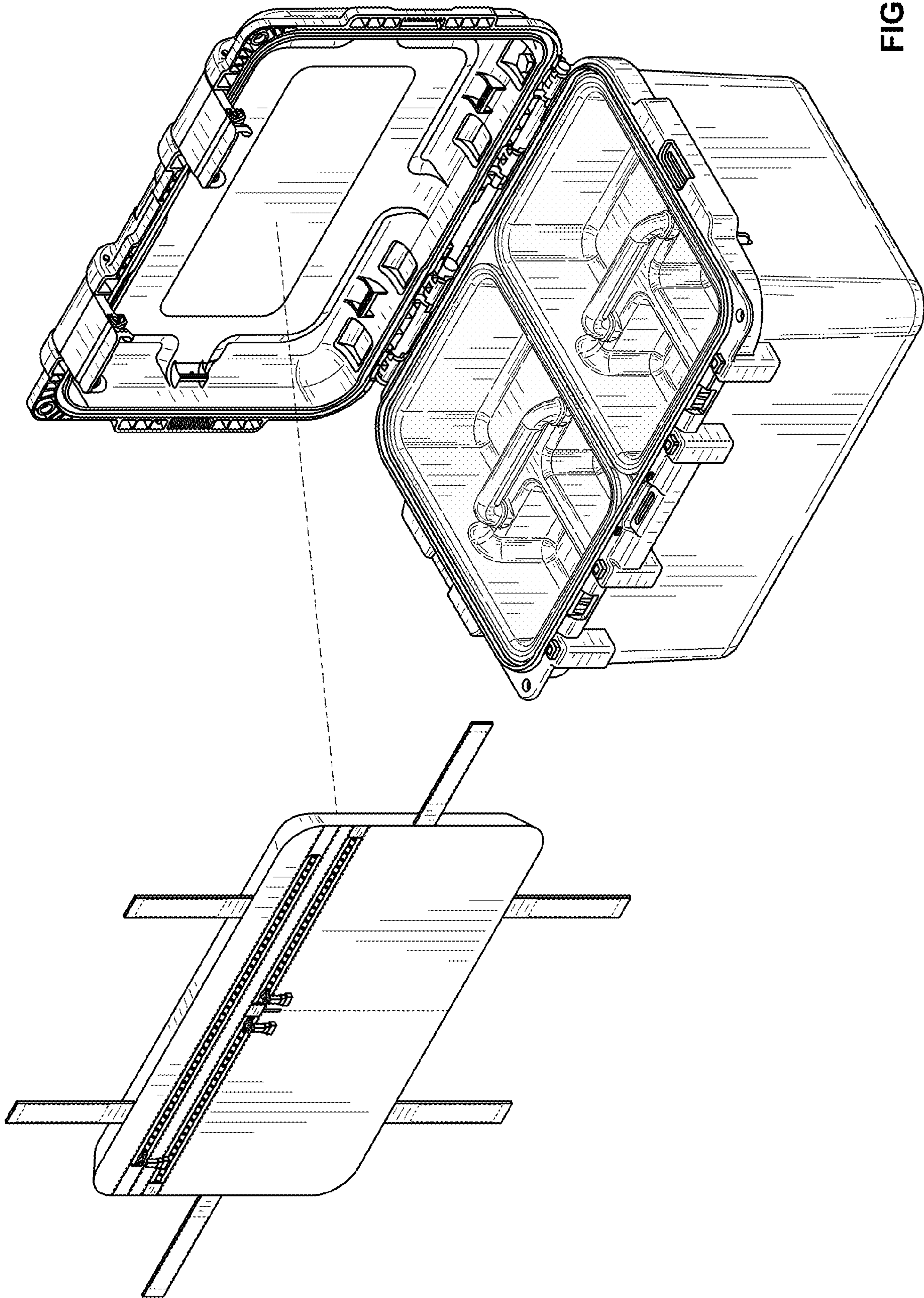


FIG. 6A



FIG. 6B





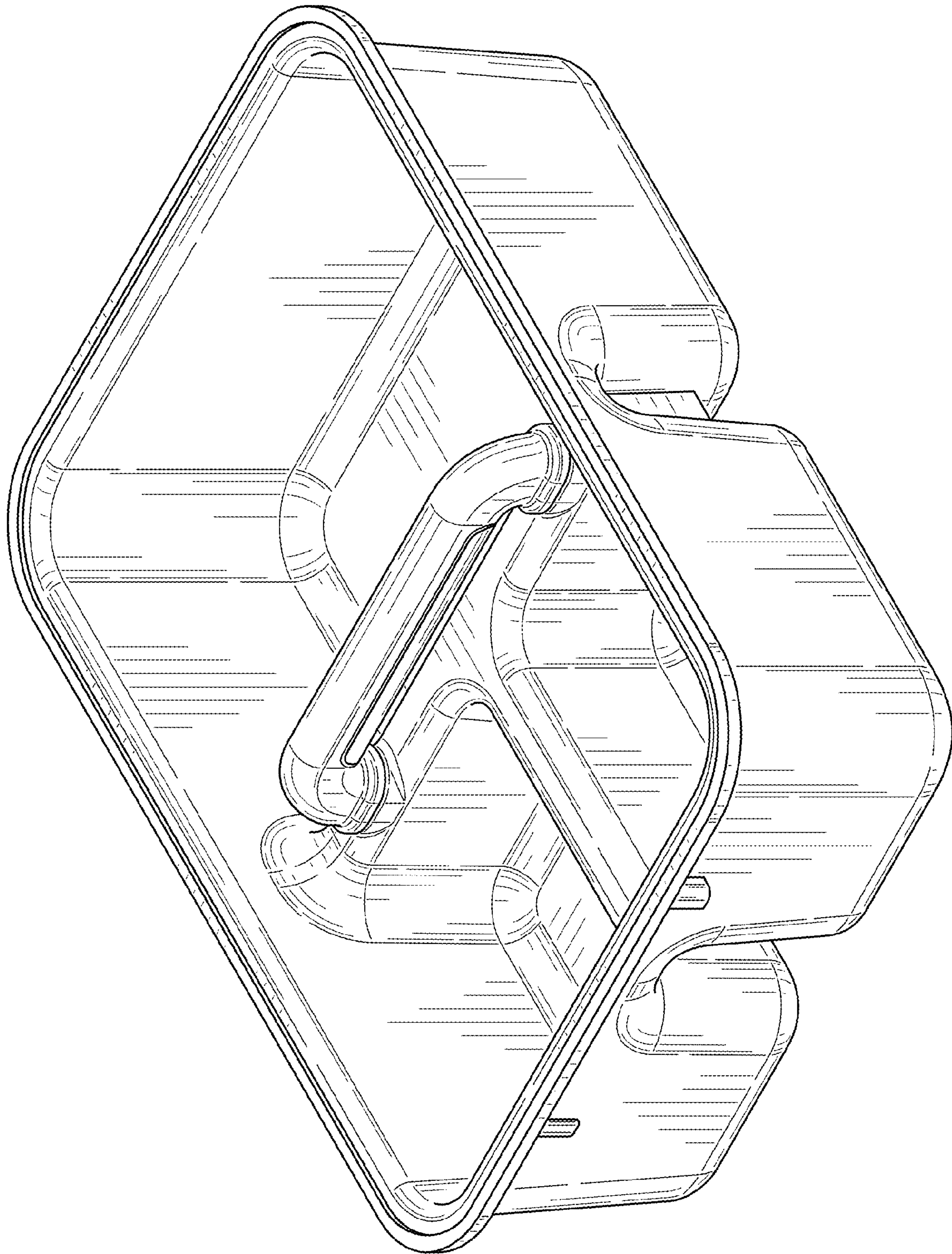


FIG. 7

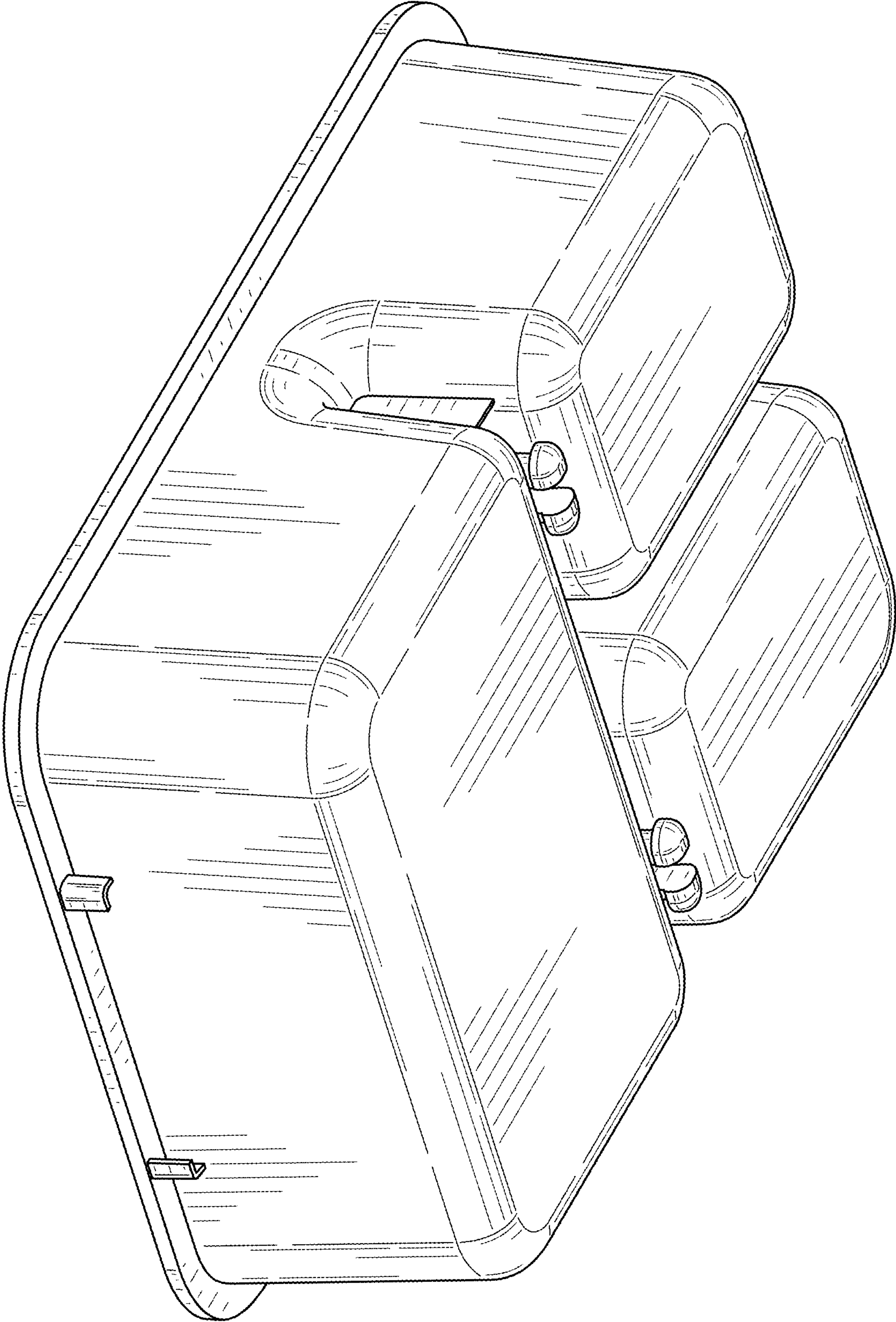


FIG. 8



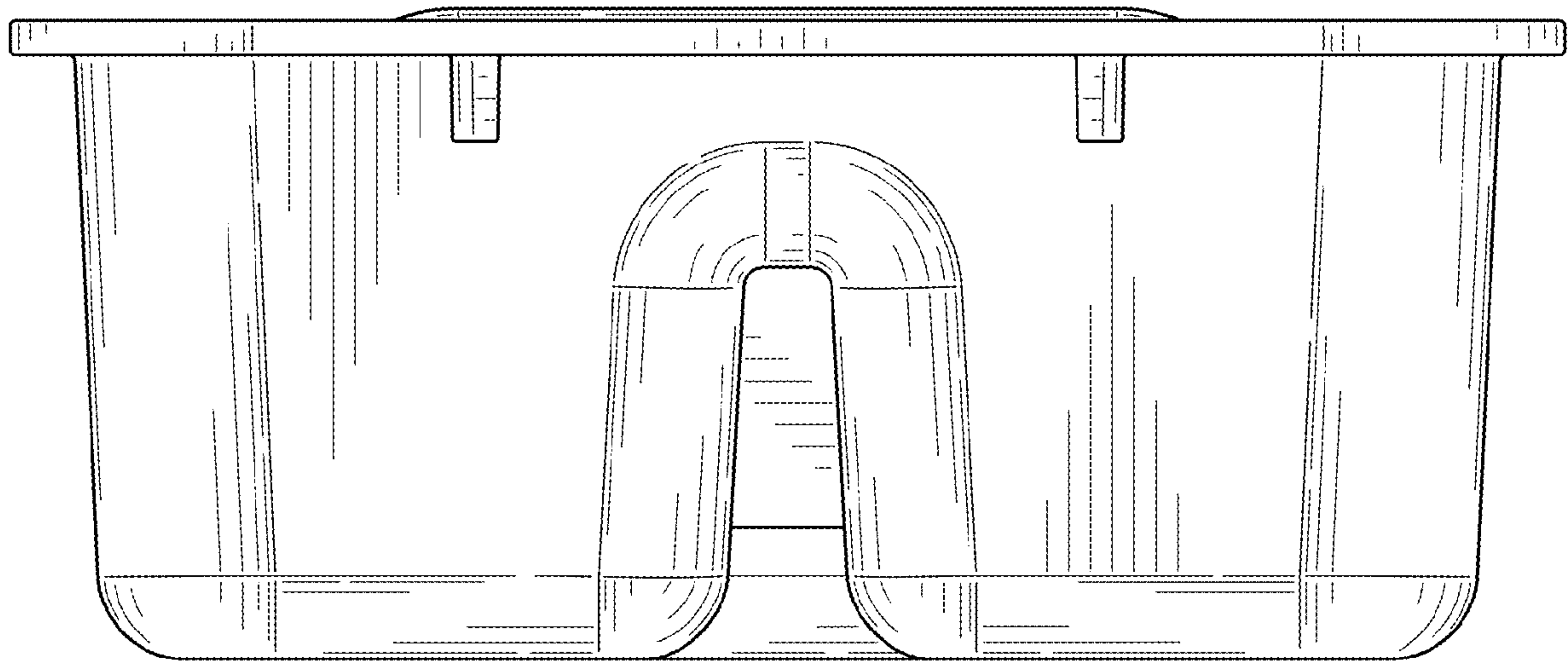


FIG. 9

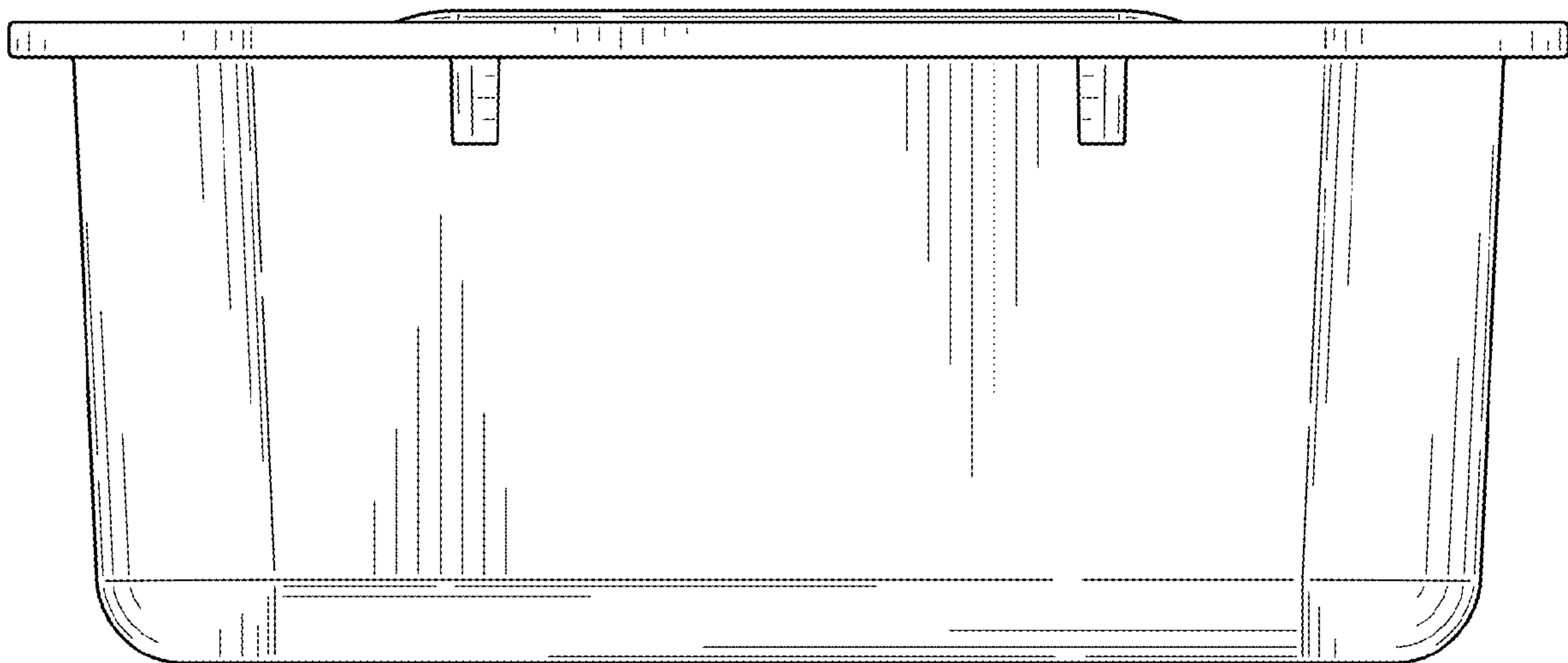


FIG. 10

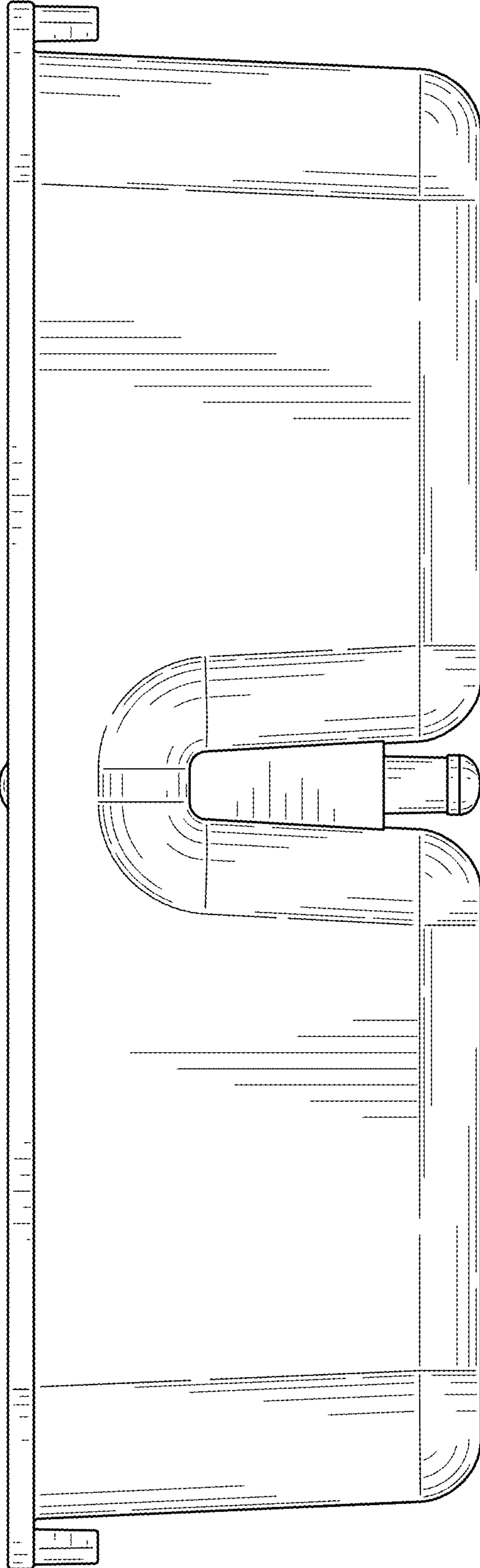


FIG. 11



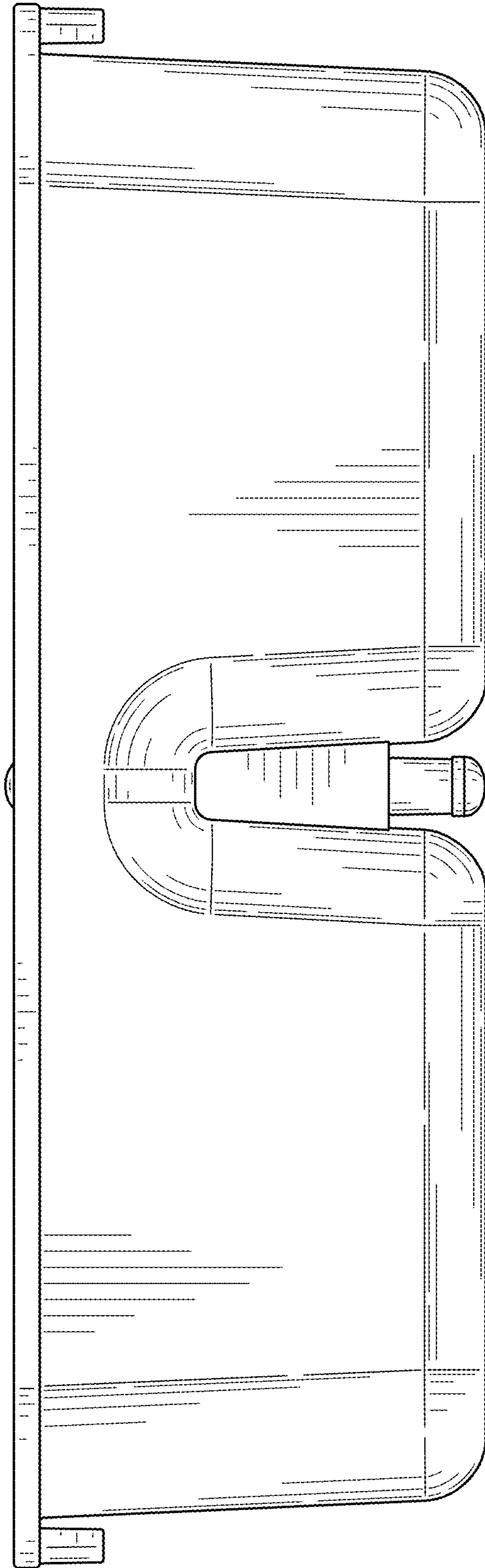


FIG. 12

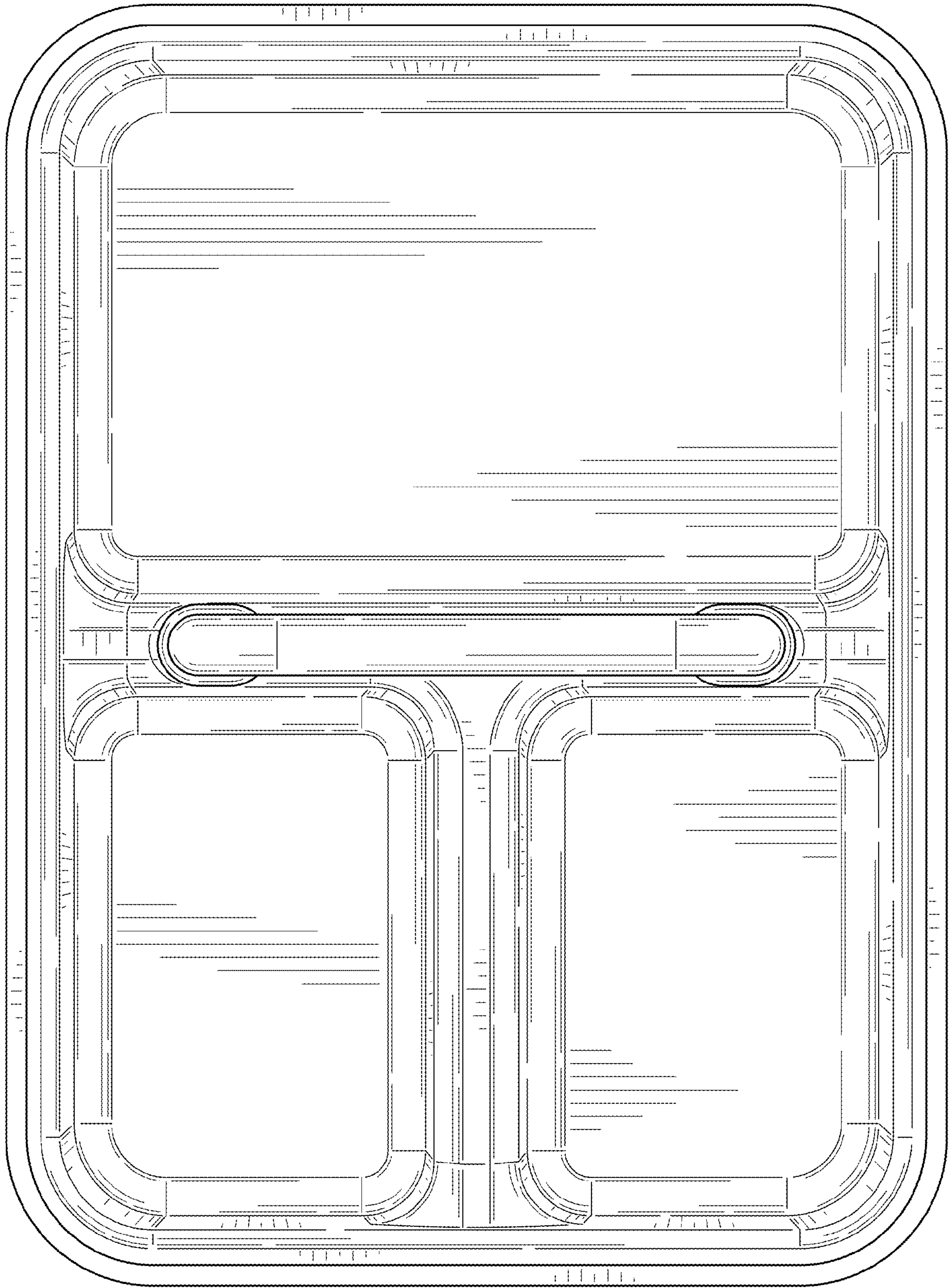


FIG. 13



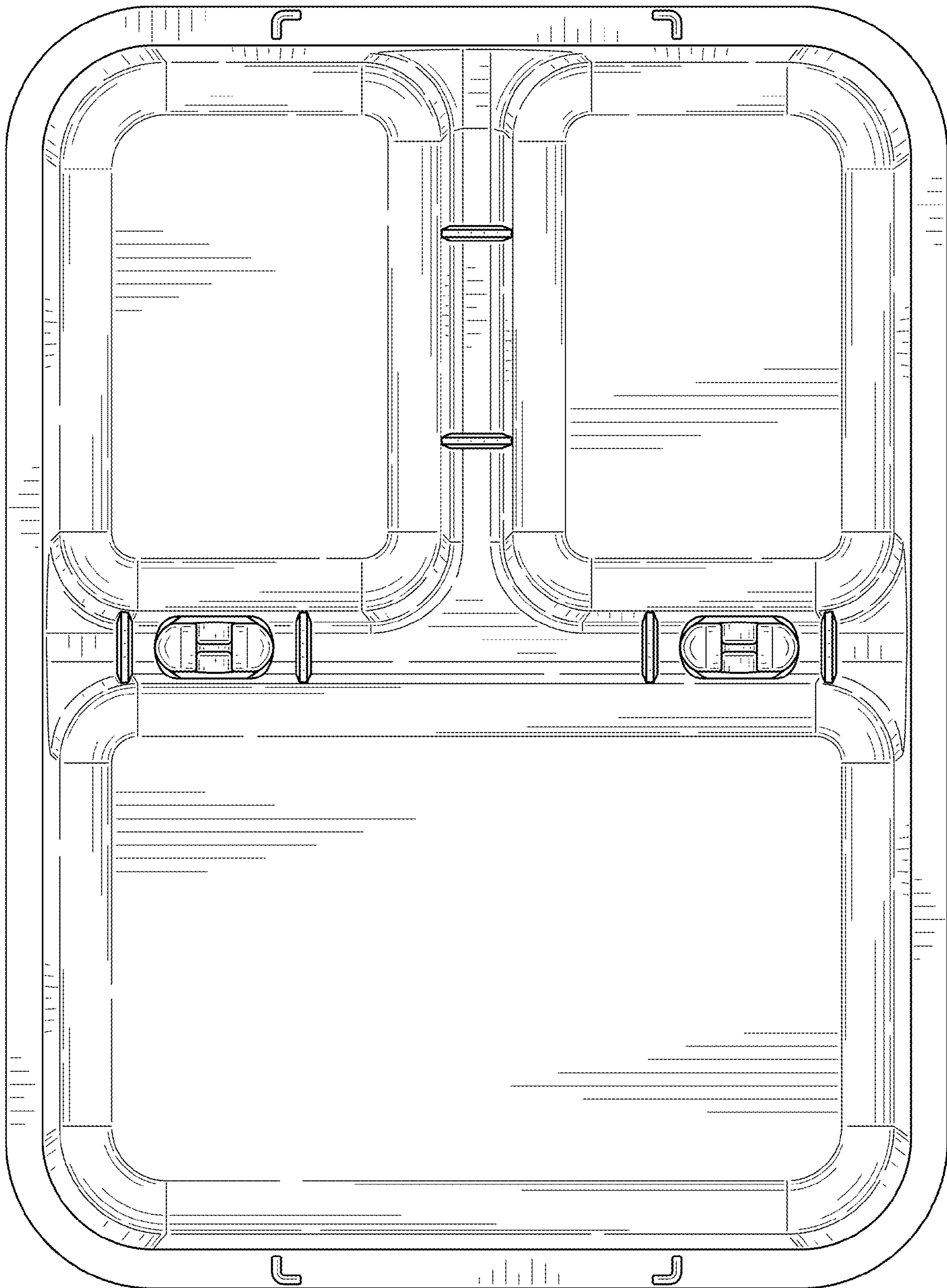


FIG. 14

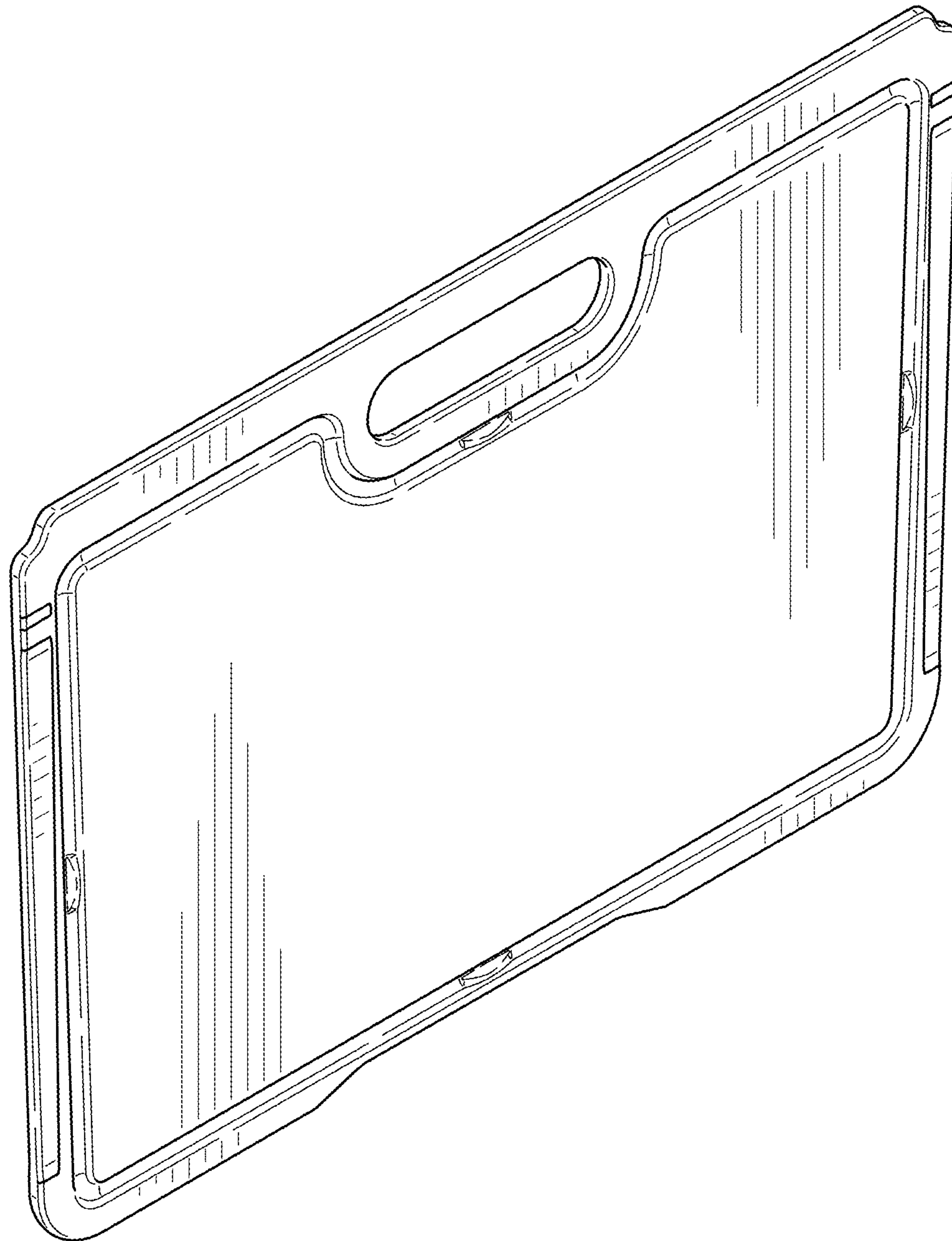


FIG. 15



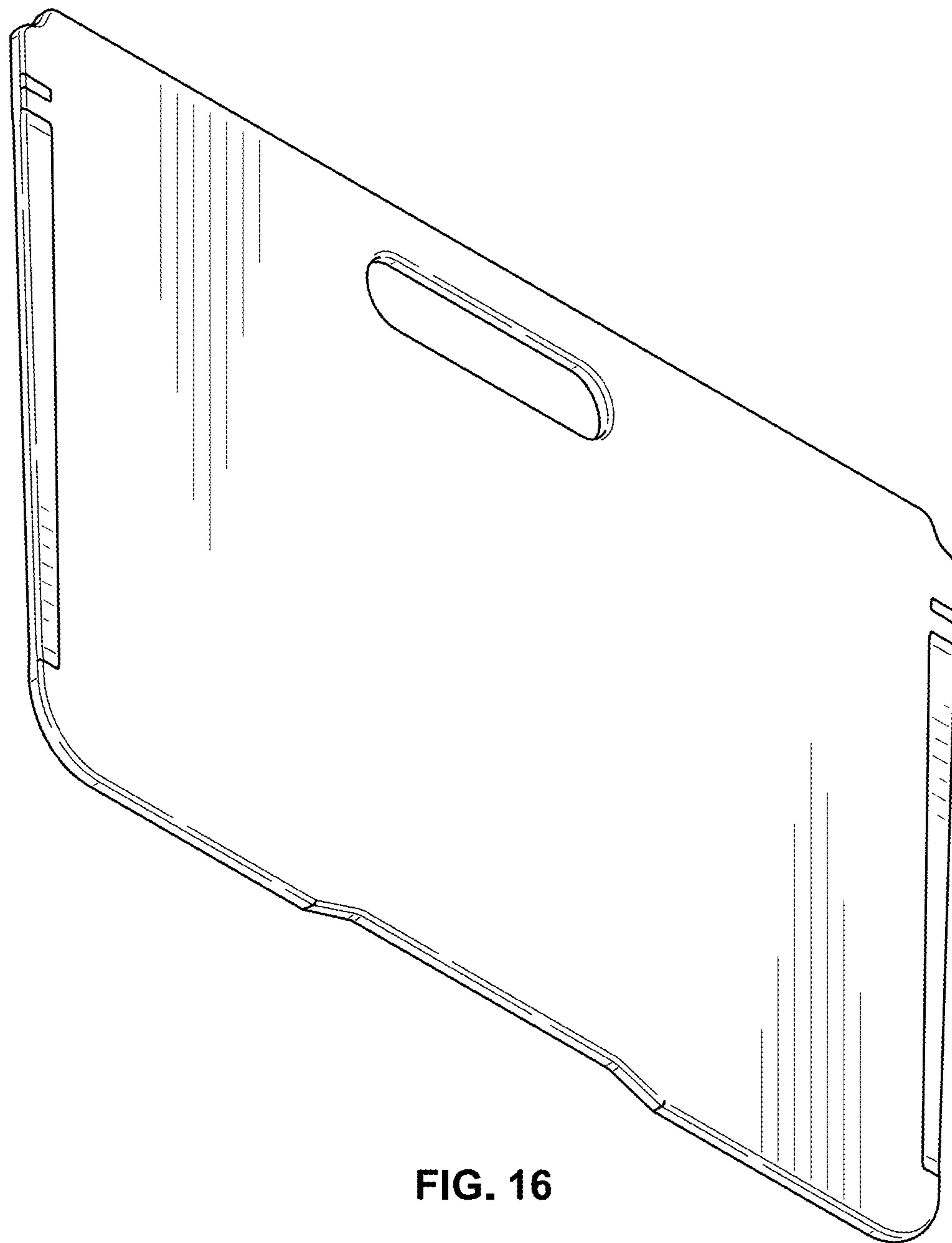


FIG. 16

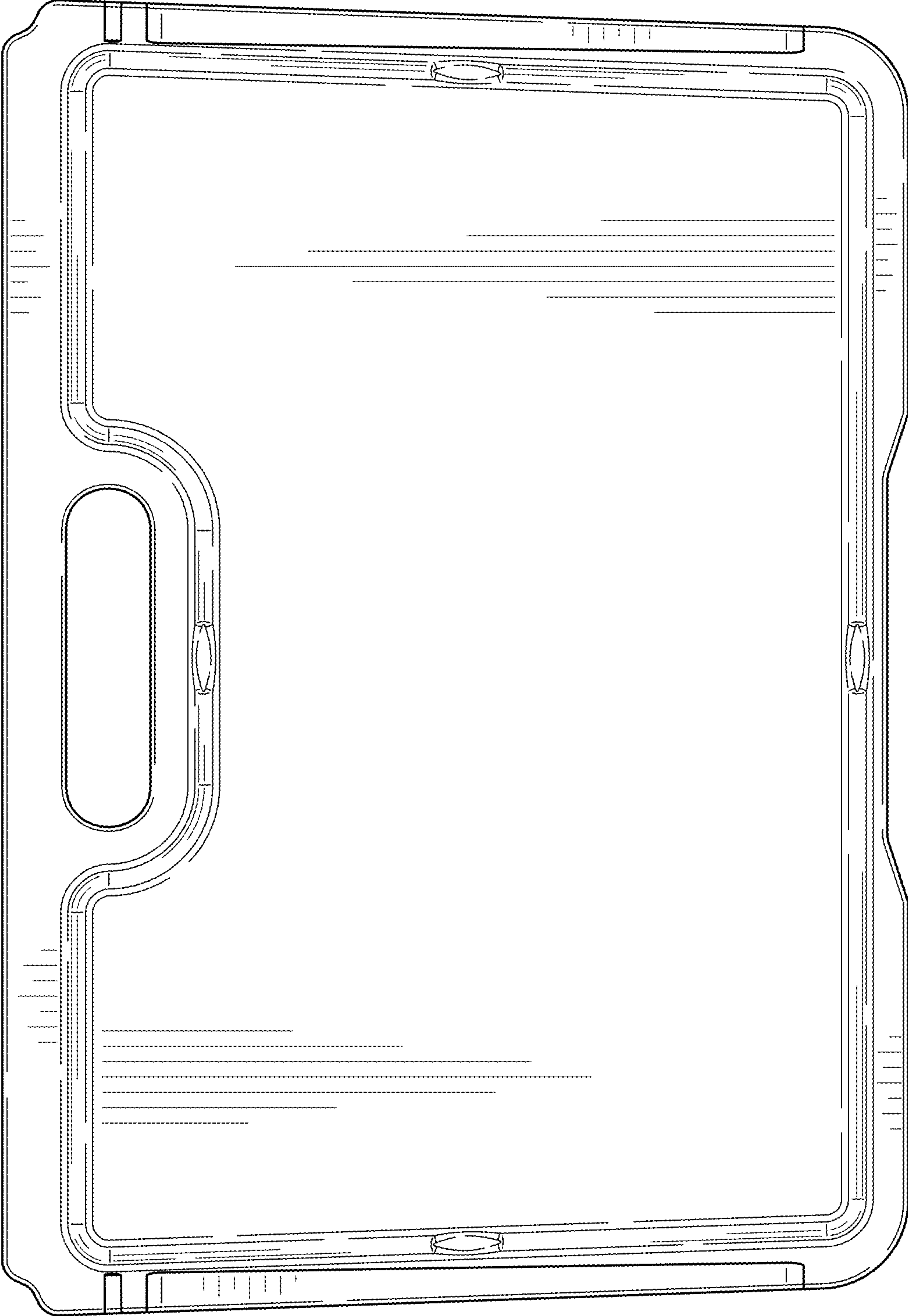


FIG. 17



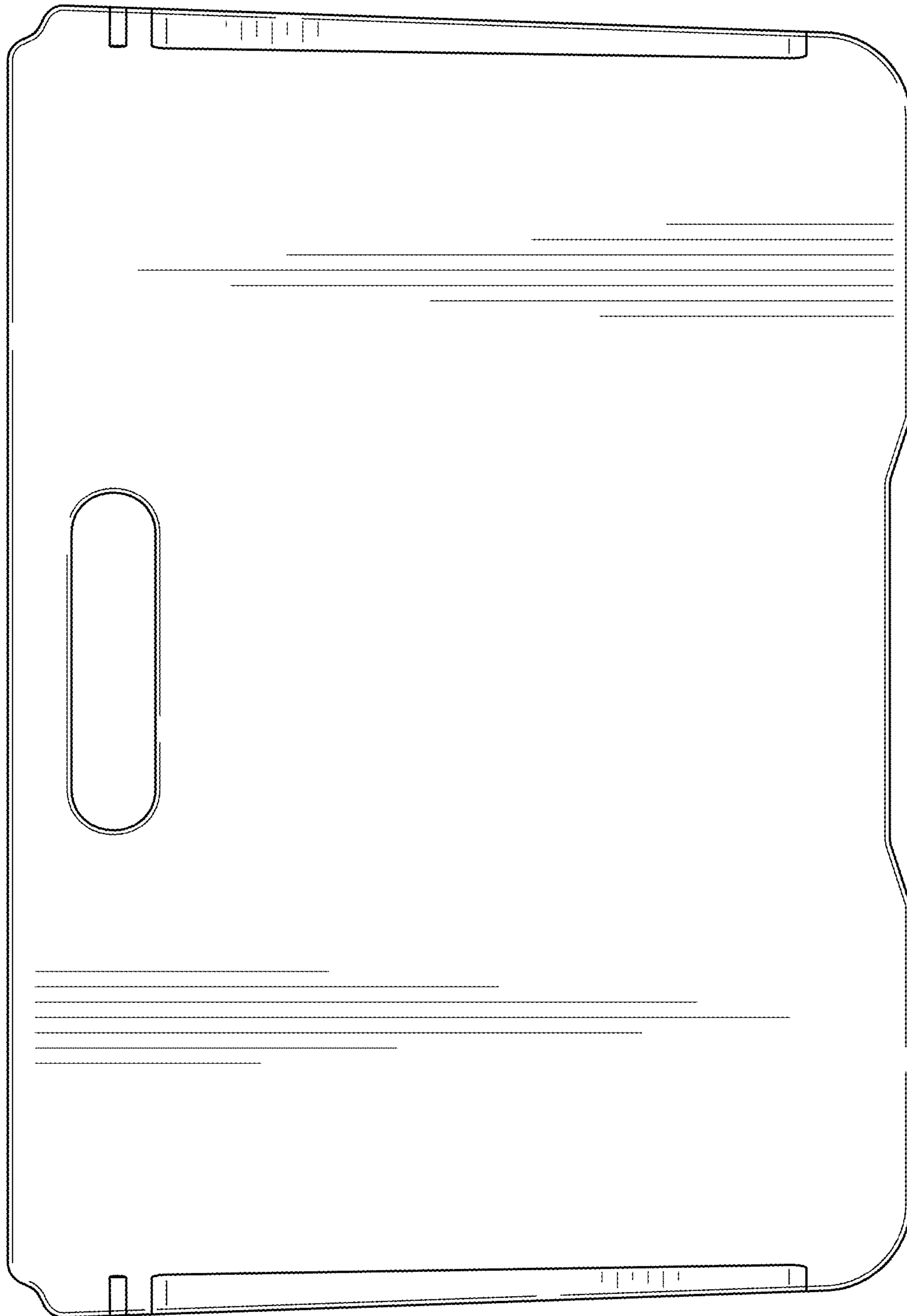


FIG. 18

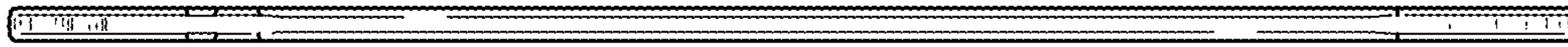


FIG. 20

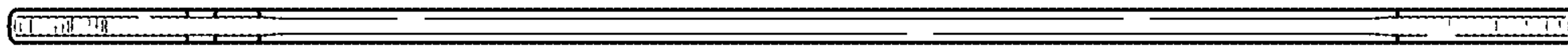


FIG. 19





FIG. 21



FIG. 22

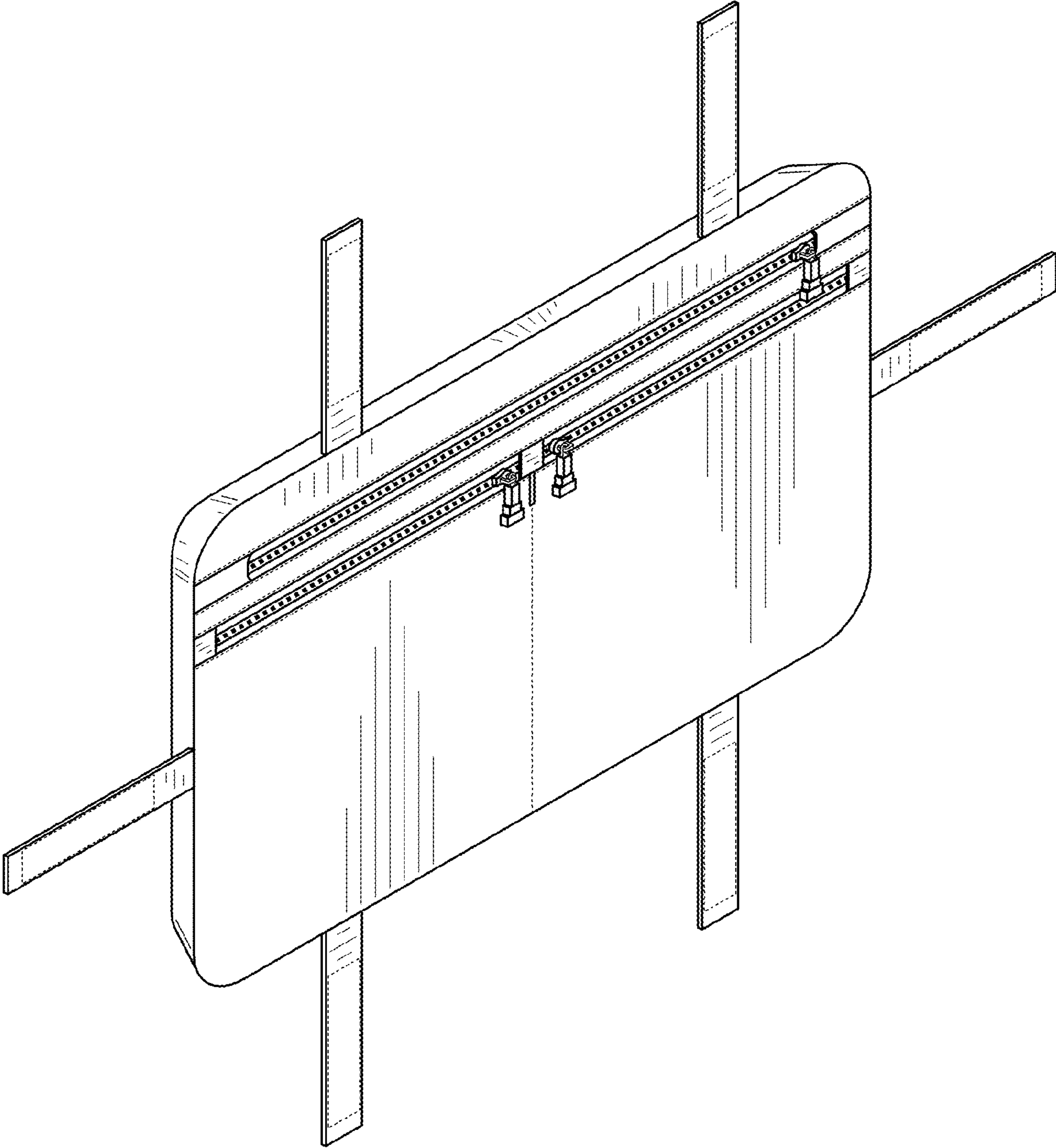


FIG. 23



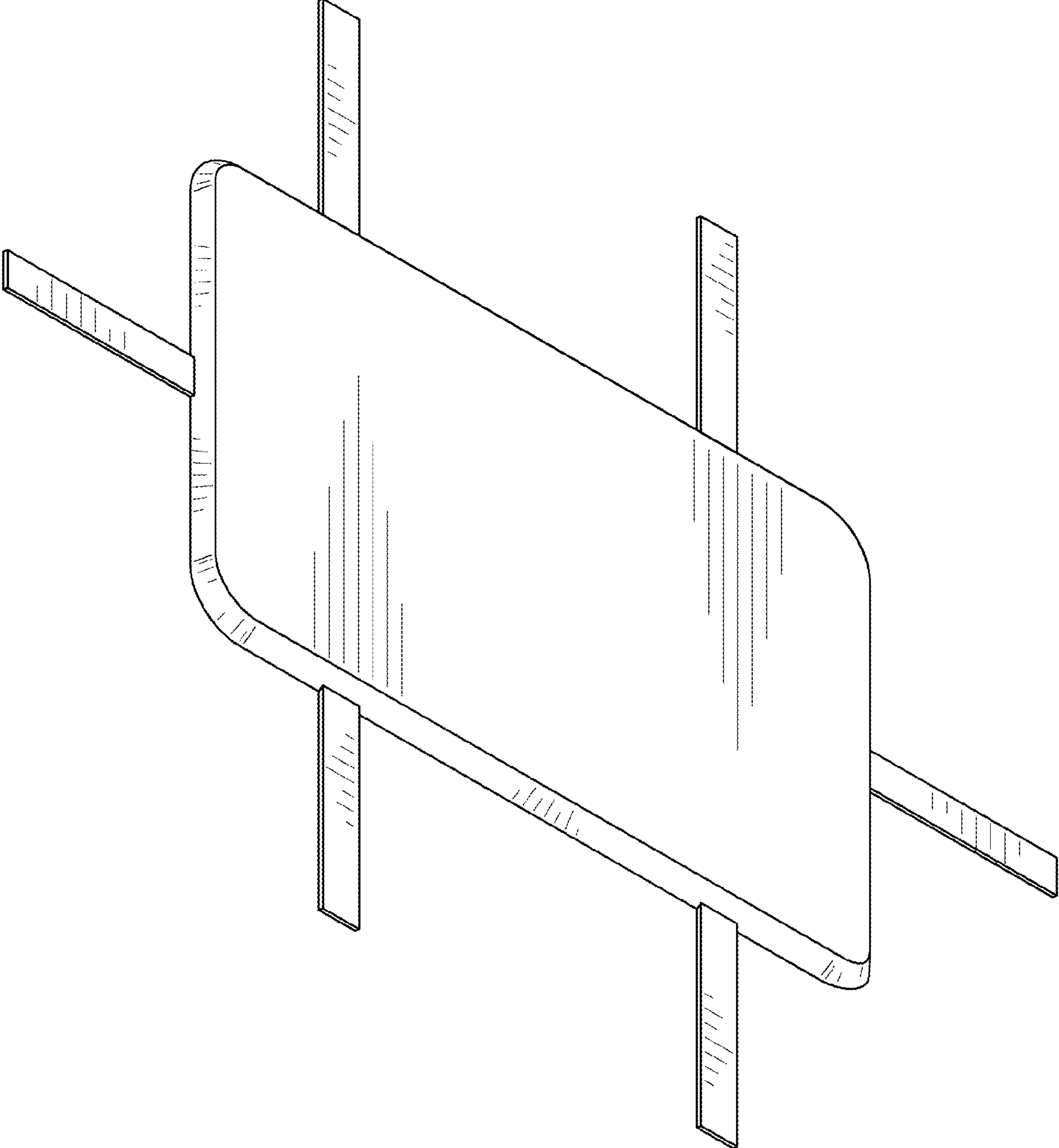


FIG. 24

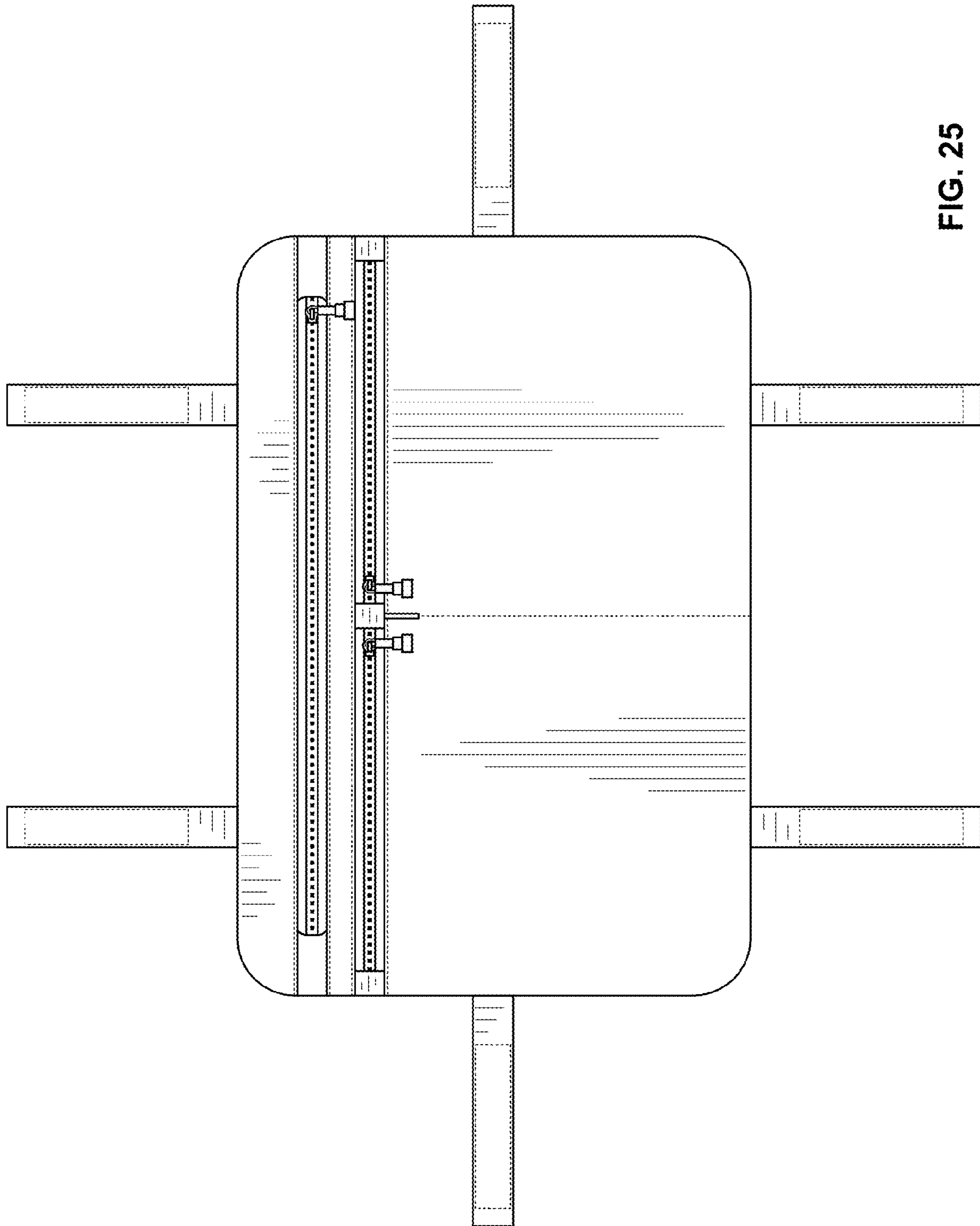


FIG. 25



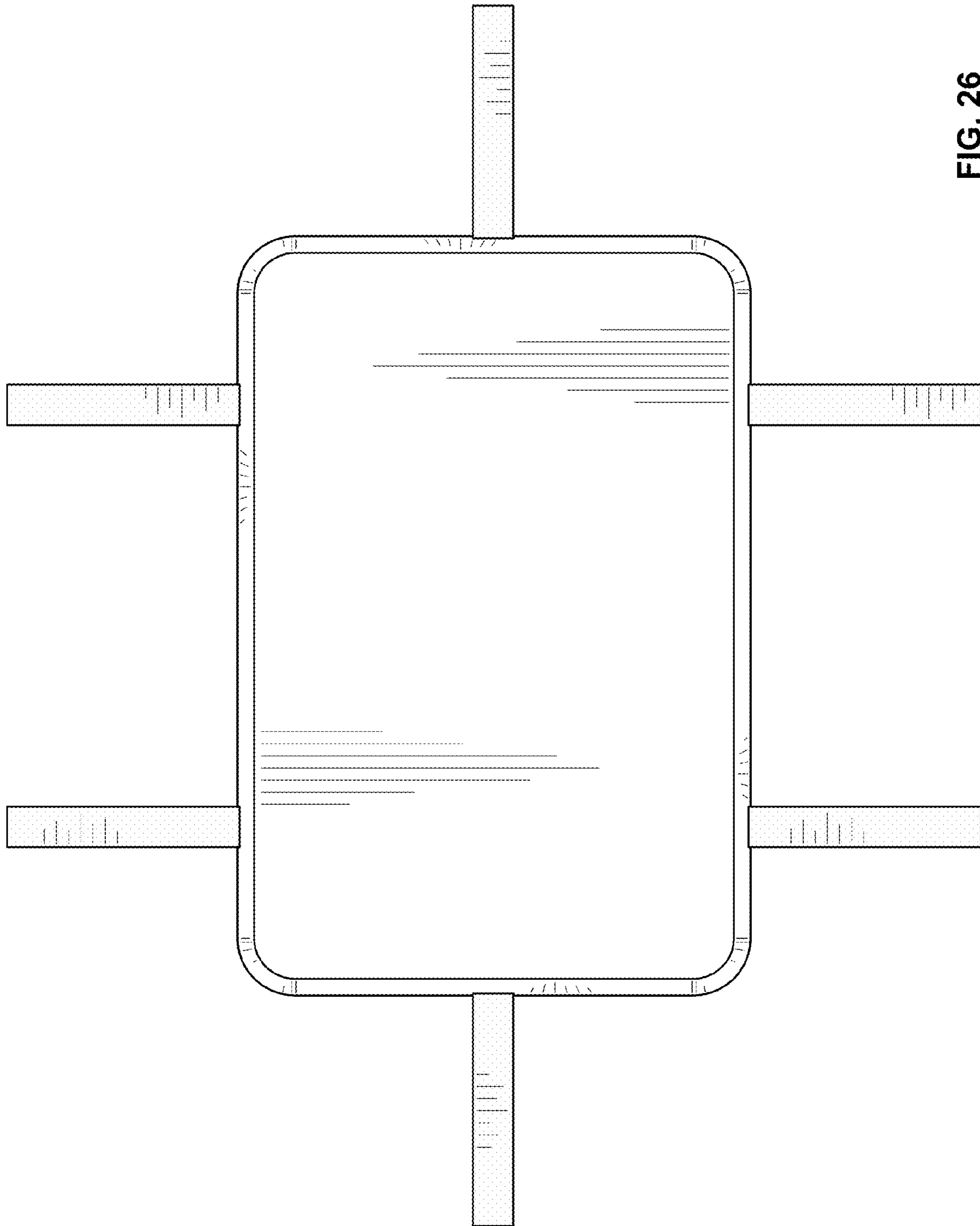


FIG. 26

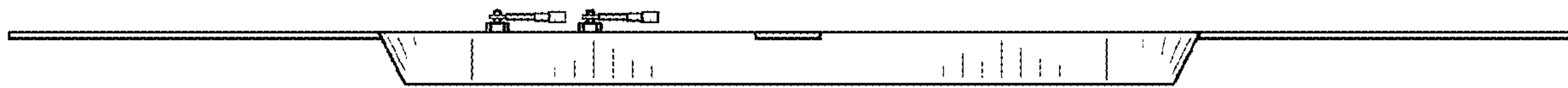


FIG. 28

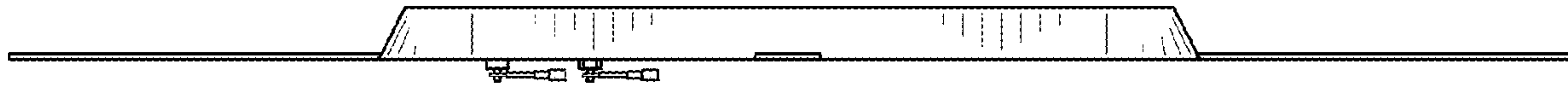


FIG. 27

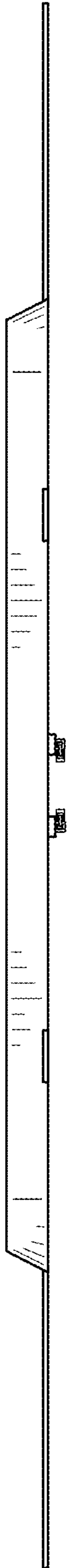


FIG. 29

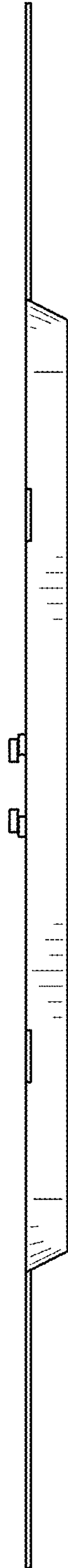


FIG. 30



UNITED STATES PATENT AND TRADEMARK OFFICE  
**CERTIFICATE OF CORRECTION**

PATENT NO. : D907,445 S  
APPLICATION NO. : 29/673074  
DATED : January 12, 2021  
INVENTOR(S) : Nichols et al.

Page 1 of 1

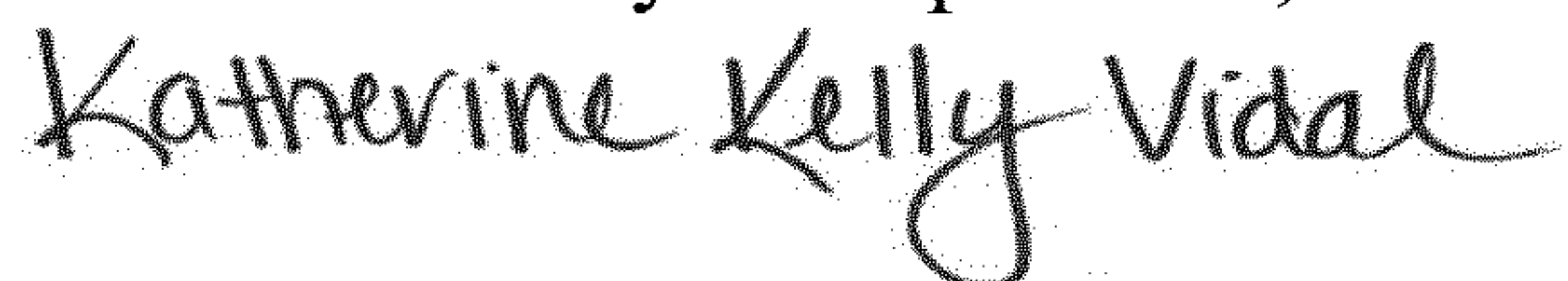
It is certified that error appears in the above-identified patent and that said Letters Patent is hereby corrected as shown below:

On the Title Page

Page 11, Column 2, Description, Line 7:  
Delete "FIG. 6a" and insert --FIG. 6A--

Page 11, Column 2, Description, Line 9:  
Delete "FIG. 6b" and insert --FIG. 6B--

Signed and Sealed this  
Seventeenth Day of September, 2024



Katherine Kelly Vidal  
*Director of the United States Patent and Trademark Office*