

US00D907444S

(12) **United States Design Patent** (10) **Patent No.:** **US D907,444 S**
Huang et al. (45) **Date of Patent:** **** Jan. 12, 2021**

- (54) **FOOD CONTAINER**
 - (71) Applicant: **General Mills, Inc.**, Minneapolis, MN (US)
 - (72) Inventors: **Hsin-Chi Huang**, Fayetteville, AR (US); **Shuwei Hu**, New Taipei (CN); **Lei Xue**, Shanghai (CN); **Wenlin Yuan**, Juangxi (CN)
 - (73) Assignee: **General Mills, Inc.**, Minneapolis, MN (US)
 - (**) Term: **15 Years**
- | | | |
|--------------|---------|----------------------|
| 2,789,608 A | 4/1957 | Tupper |
| D201,644 S | 7/1965 | Cave |
| 3,620,403 A | 11/1971 | Rump |
| 3,620,411 A | 11/1971 | Rump |
| D249,491 S | 9/1978 | Bernhardt |
| D257,108 S | 9/1980 | Daenen |
| 4,483,455 A | 11/1984 | Prophet, Jr. et al. |
| D280,966 S | 10/1985 | Prophet, Jr. et al. |
| 4,784,273 A | 11/1988 | Niemetz |
| D306,405 S | 3/1990 | Kuerti |
| 5,072,832 A | 12/1991 | Valentine et al. |
| D333,196 S | 2/1993 | Dziersk et al. |
| D335,728 S | 5/1993 | Dziersk et al. |
| D341,539 S * | 11/1993 | Davis D7/550.1 |
- (Continued)

- (21) Appl. No.: **29/673,169**
- (22) Filed: **Dec. 12, 2018**

Related U.S. Application Data

- (62) Division of application No. 29/595,702, filed on Mar. 1, 2017, now Pat. No. Des. 839,053.

Foreign Application Priority Data

- Sep. 8, 2016 (CN) 2016 3 0465251
- (51) **LOC (13) Cl.** **07-01**
- (52) **U.S. Cl.**
USPC **D7/587**; D7/602
- (58) **Field of Classification Search**
USPC D7/500, 587, 629, 602, 584; D30/130, D30/121; 206/223; D24/204; 220/751
CPC A47G 19/025; A47G 19/02; B65D 25/22
See application file for complete search history.

References Cited

U.S. PATENT DOCUMENTS

- D35,476 S 12/1901 Springer
- D154,671 S * 8/1949 Foley D7/566
- D174,819 S * 5/1955 Kritchever D27/135

FOREIGN PATENT DOCUMENTS

- JP 352783 10/1947
 - JP 704219 5/1987
- (Continued)

Primary Examiner — Cynthia R Underwood
(74) *Attorney, Agent, or Firm* — Diederiks & Whitelaw, PLC; Annette M. Frawley, Esq.

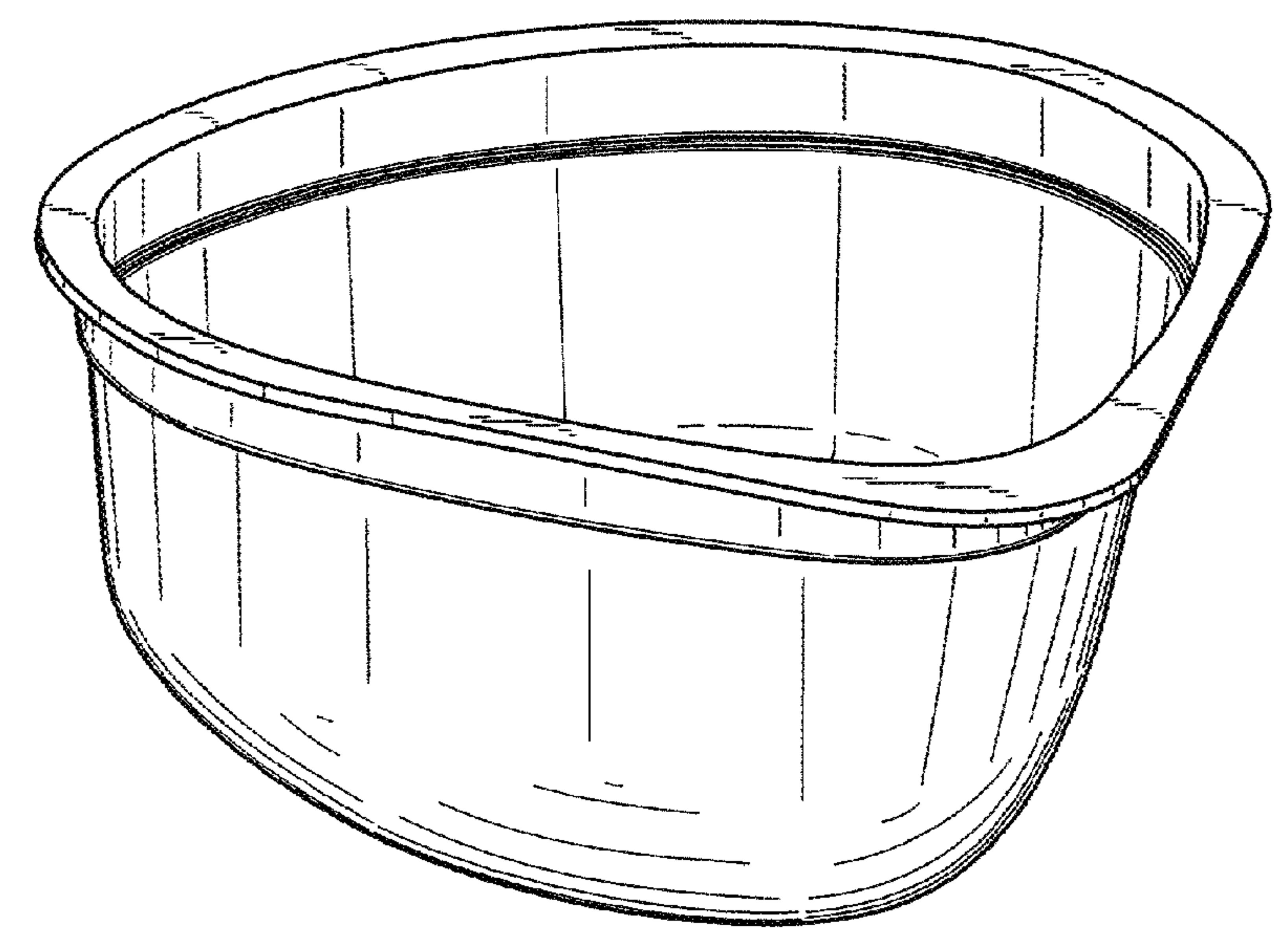
(57) **CLAIM**

The ornamental design for a food container, as shown and described.

DESCRIPTION

FIG. 1 is a top perspective view of the food container, according to the present new design;
FIG. 2 is a front view thereof;
FIG. 3 is a rear view thereof;
FIG. 4 is a right side view thereof;
FIG. 5 is a left side view thereof;
FIG. 6 is a top view thereof; and,
FIG. 7 is a bottom view thereof.
The broken lines in FIGS. 6 and 7 define the bounds of the claimed designed and form no part thereof.

1 Claim, 3 Drawing Sheets



(56)

References Cited

U.S. PATENT DOCUMENTS

D391,808 S 3/1998 Voege
 D408,506 S 4/1999 Gottwald
 D409,911 S 5/1999 Guillin
 D419,067 S 1/2000 Guillin
 D419,364 S 1/2000 Jarvis
 D420,585 S 2/2000 Guillin
 D424,378 S 5/2000 Bacon et al.
 D429,150 S 8/2000 Lindsay et al.
 D434,946 S 12/2000 Jarvis
 D446,684 S 8/2001 Price
 D447,008 S * 8/2001 Indekeu D7/566
 D455,318 S 4/2002 Miller
 D459,144 S * 6/2002 Brady D7/354
 D465,887 S 11/2002 Begnani
 D472,768 S * 4/2003 Wellner D7/550.1
 D473,754 S 4/2003 Thun
 D473,755 S 4/2003 Thun
 D474,378 S 5/2003 Brandenburg
 D482,934 S 12/2003 Liu
 D495,211 S * 8/2004 Brown D7/584
 D496,224 S * 9/2004 Bennett D7/584
 D501,372 S 2/2005 Lo
 6,912,970 B2 * 7/2005 Sage, Jr. A01K 5/0114
 119/61.5
 D510,842 S 10/2005 Ray
 D518,685 S 4/2006 Aalberts
 D541,110 S 4/2007 Wasserman et al.
 D547,125 S 7/2007 Wasserman et al.
 D565,355 S 4/2008 Bevacqua et al.
 D568,149 S 5/2008 Riedel
 D582,763 S 12/2008 Ridel et al.
 D586,622 S 2/2009 Silvers
 D592,458 S * 5/2009 Scherer D7/566
 7,527,017 B1 * 5/2009 Cribb A01K 7/005
 119/51.5
 7,568,874 B2 8/2009 Riedel et al.
 7,634,973 B1 * 12/2009 Cribb A01K 7/005
 119/51.5
 D609,975 S * 2/2010 Wolhendler D7/584
 D613,999 S 4/2010 Sierra
 D619,421 S * 7/2010 France D7/586

7,789,041 B1 * 9/2010 Taylor A01K 5/0114
 119/61.5
 D625,068 S 10/2010 Shannon
 D625,961 S * 10/2010 Kent D7/545
 D628,704 S * 12/2010 Tran D24/204
 D631,130 S 1/2011 Riedel
 D637,690 S 5/2011 Riedel
 D637,693 S 5/2011 Riedel
 D645,355 S * 9/2011 D'Amato D9/522
 D658,014 S 4/2012 Mica, Jr.
 D660,444 S * 5/2012 Tran D24/204
 D674,665 S * 1/2013 Olivari D7/629
 D683,192 S 5/2013 Schwartz et al.
 D685,233 S 7/2013 Wong
 D702,404 S 4/2014 Leung et al.
 D708,481 S 7/2014 Lin
 D713,720 S 9/2014 De Pra
 D721,007 S 1/2015 Dickinson
 D724,390 S 3/2015 Roehrig et al.
 D727,107 S * 4/2015 Parodi, Jr. D7/396.2
 D737,054 S * 8/2015 Winston D3/304
 D758,601 S * 6/2016 Galati, Jr. D24/204
 D761,061 S 7/2016 McConnell et al.
 D787,274 S 5/2017 Gagnon et al.
 D793,857 S 8/2017 Rice et al.
 D832,053 S * 10/2018 Klimecki D7/566
 D839,053 S * 1/2019 Huang D7/602
 D861,436 S * 10/2019 Balle D7/587
 D866,089 S * 11/2019 Calimeri D30/121
 D867,071 S * 11/2019 Berger D7/584
 10,472,128 B2 * 11/2019 Ciarrocchi B65D 25/22
 D873,079 S * 1/2020 Morito D7/587
 D879,612 S * 3/2020 Sarhan D9/499
 D887,784 S * 6/2020 Pitcher D7/587
 2007/0039966 A1 * 2/2007 Schantz A47J 19/02
 220/574
 2012/0199597 A1 * 8/2012 Myoung B65D 25/22
 220/751
 2016/0113423 A1 4/2016 Lunde

FOREIGN PATENT DOCUMENTS

JP 1181628 8/2003
 JP 780239 1/2015

* cited by examiner

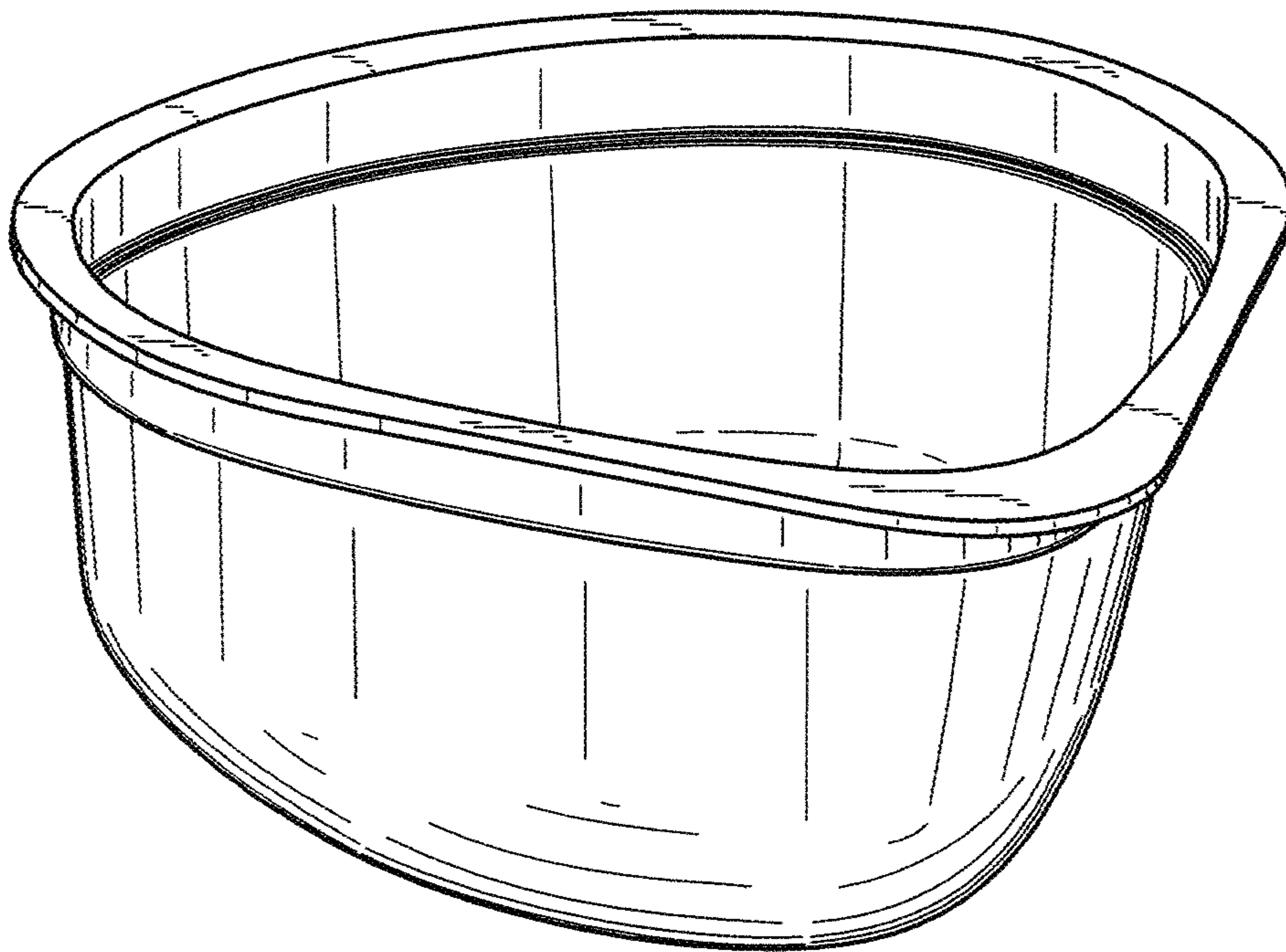


Fig. 1

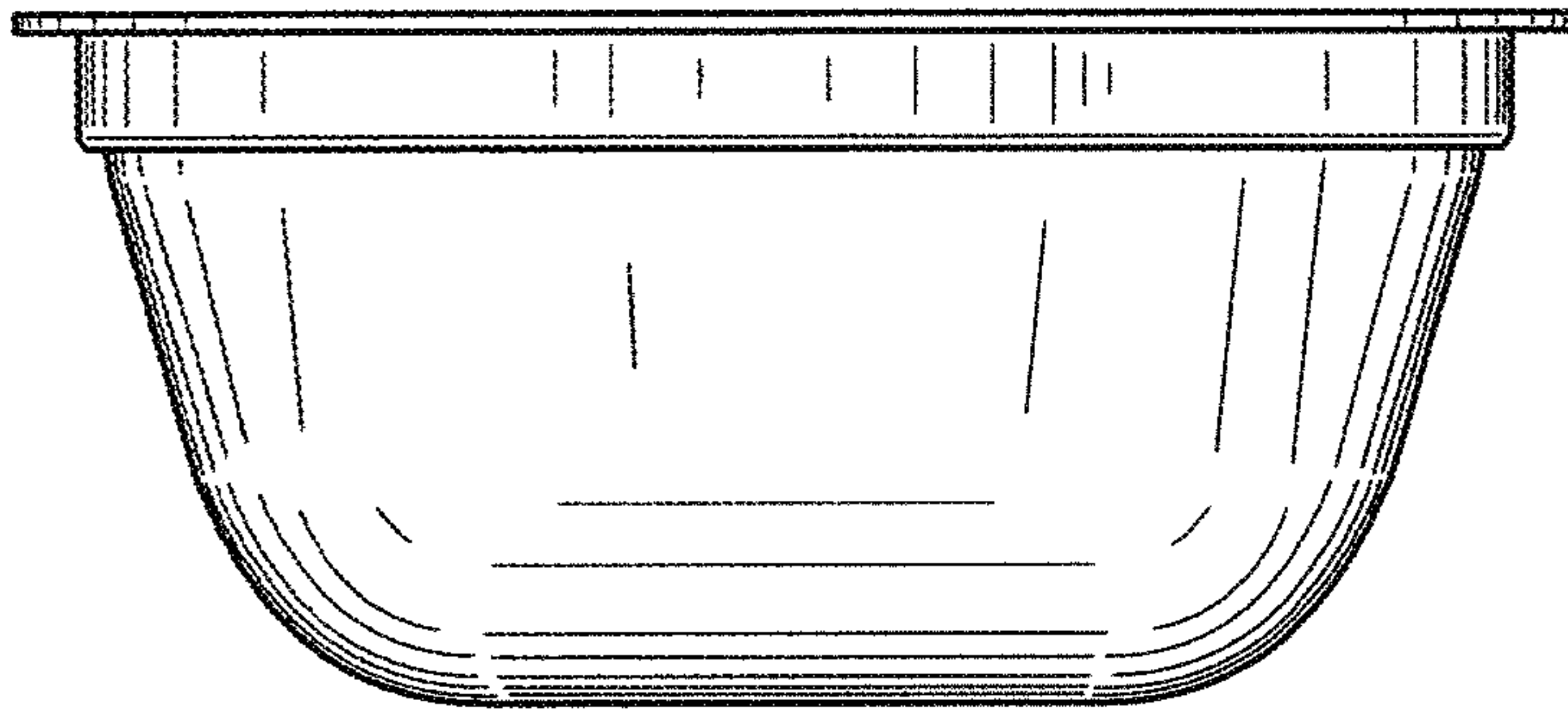


Fig. 2

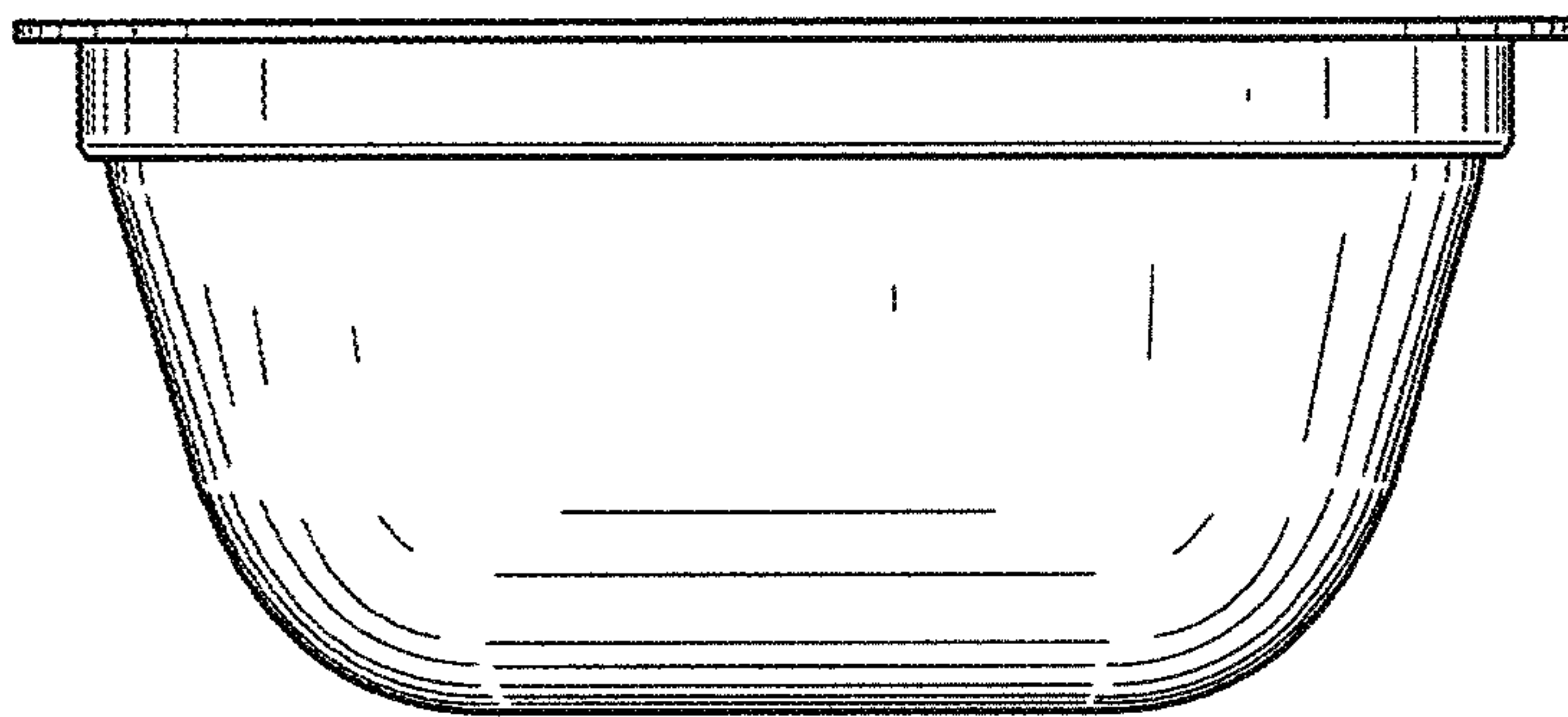


Fig. 3

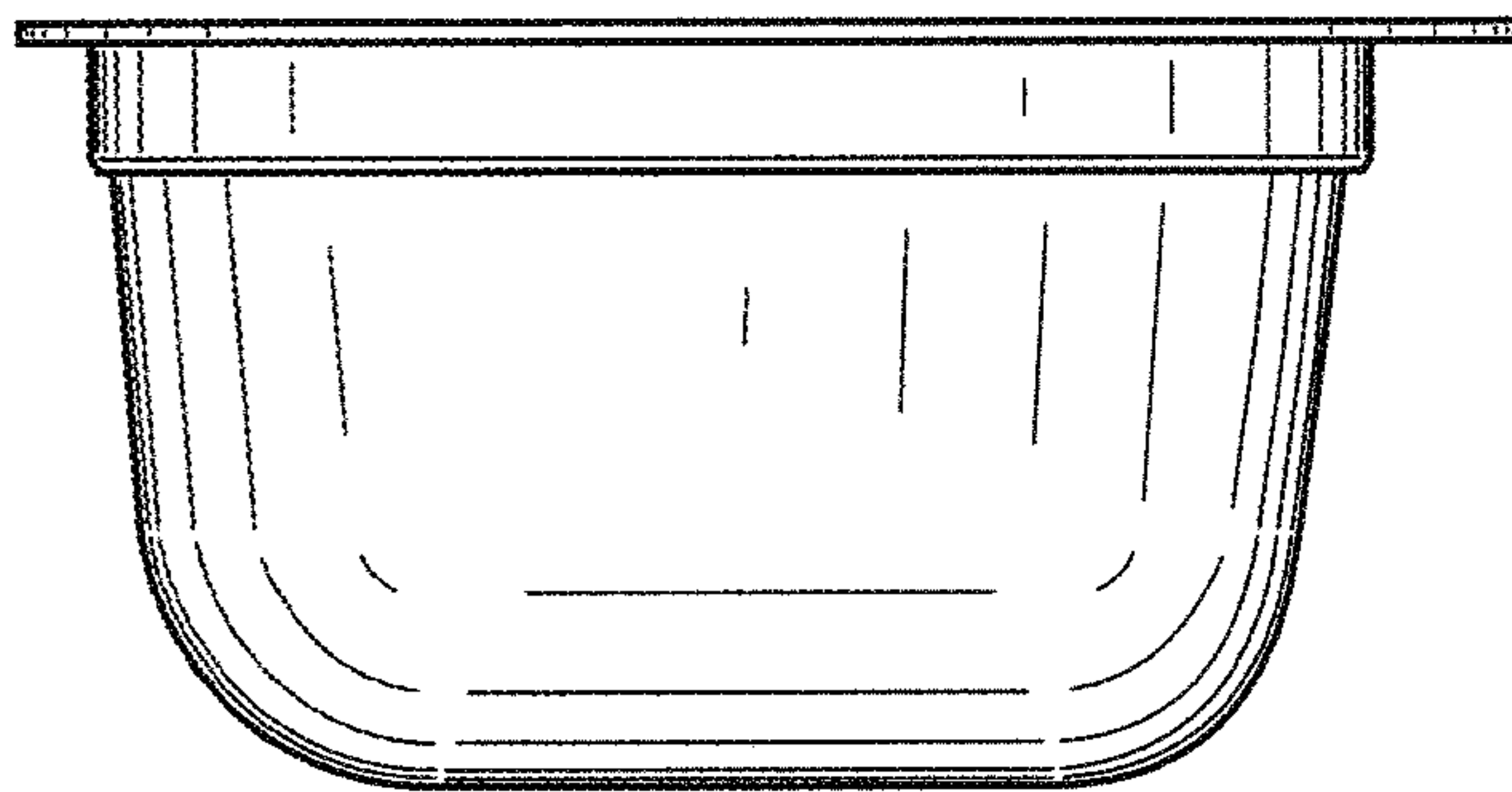


Fig. 4

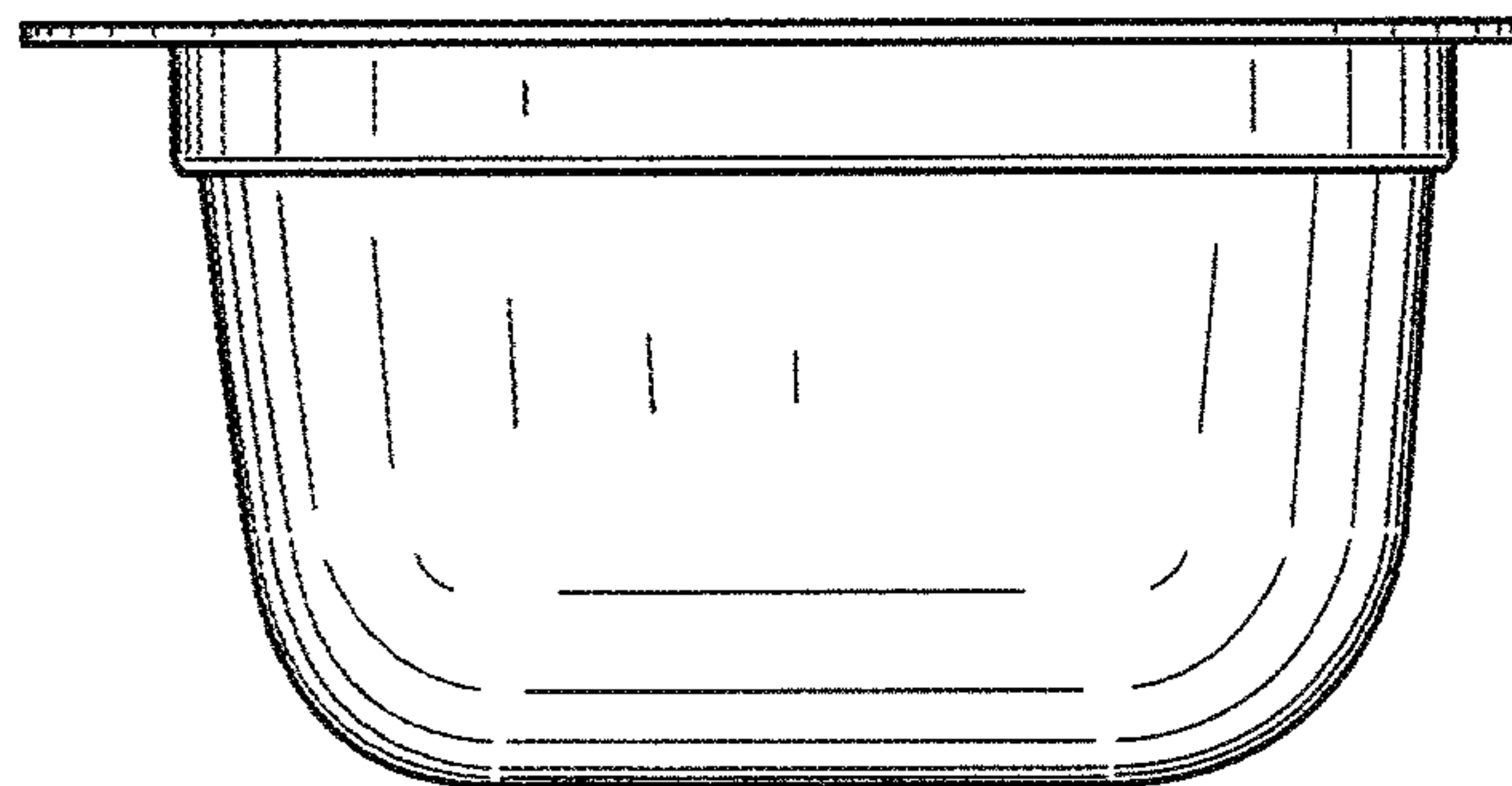


Fig. 5

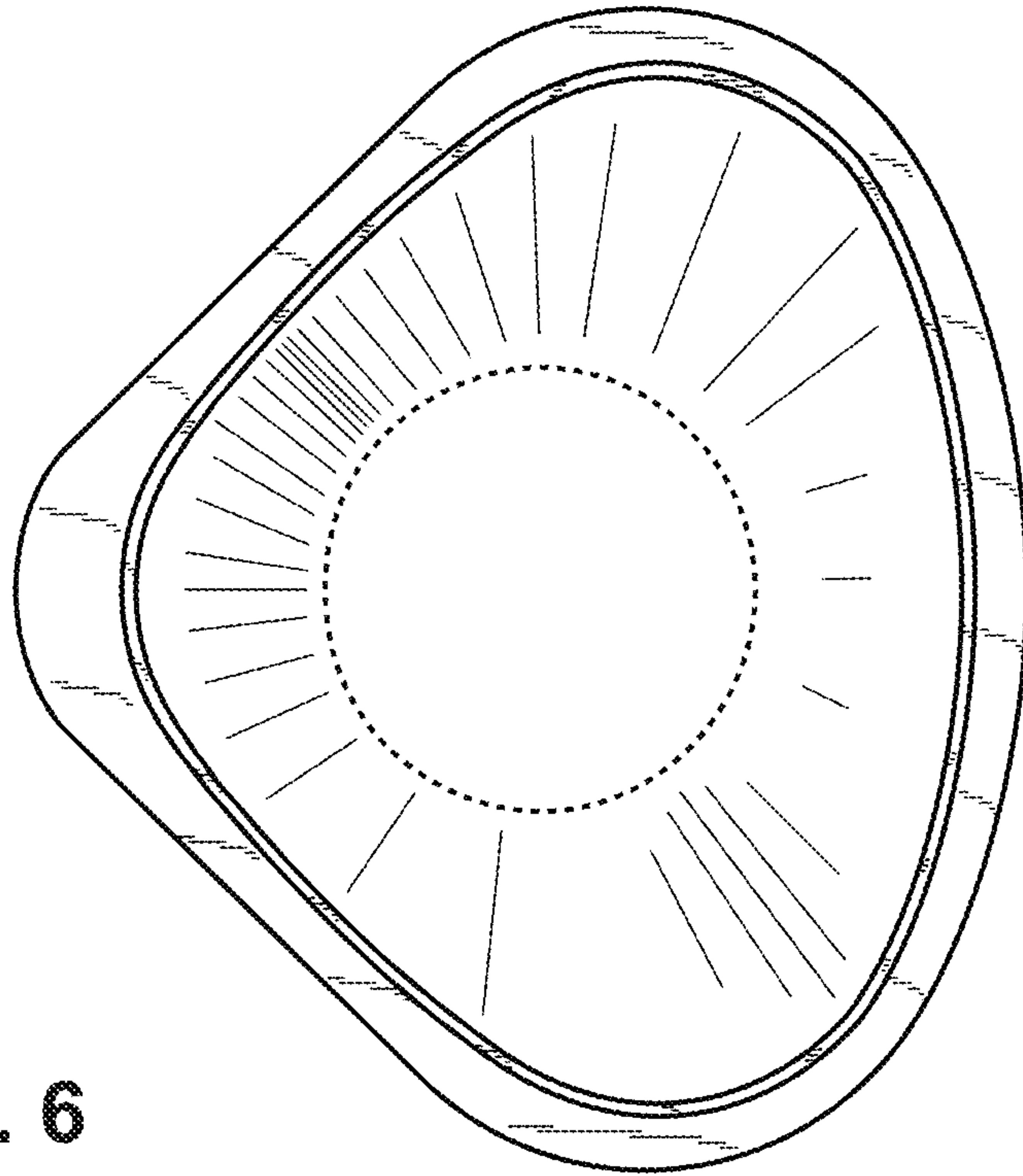


FIG. 6

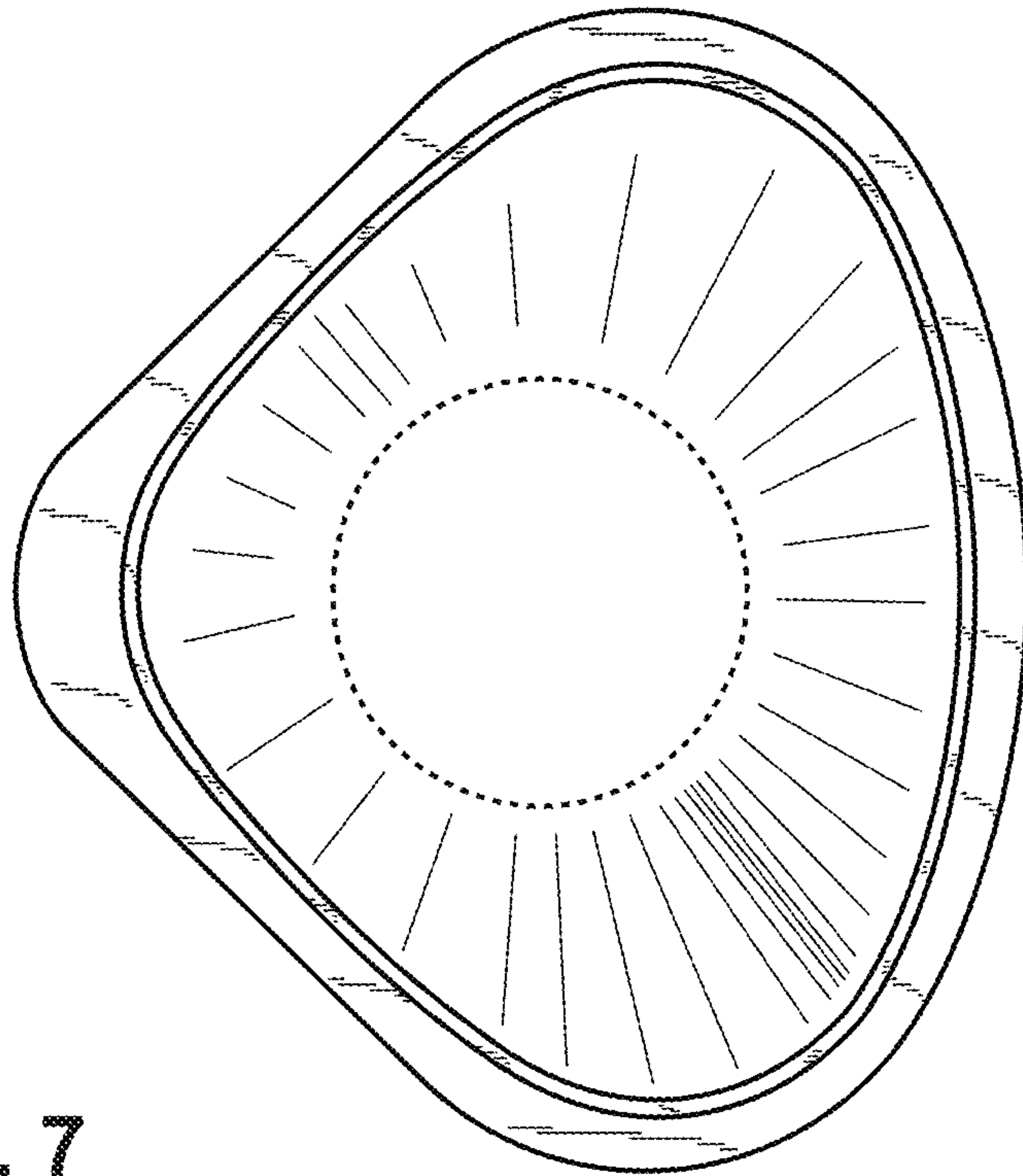


FIG. 7