



US00D907443S

(12) **United States Design Patent** (10) **Patent No.:** **US D907,443 S**  
**Turner** (45) **Date of Patent:** **\*\* Jan. 12, 2021**

(54) **BOWL**  
(71) Applicant: **Dale Ellis Turner**, Vinton, VA (US)  
(72) Inventor: **Dale Ellis Turner**, Vinton, VA (US)  
(\*\*) Term: **15 Years**  
(21) Appl. No.: **29/705,593**  
(22) Filed: **Sep. 13, 2019**  
(51) **LOC (13) Cl.** ..... **07-01**  
(52) **U.S. Cl.**  
USPC ..... **D7/584**  
(58) **Field of Classification Search**  
USPC ..... D7/500, 586, 587, 584; D30/130;  
D13/108  
CPC ..... A47G 19/025; A47G 19/02  
See application file for complete search history.

D880,947 S \* 4/2020 Oh ..... D7/584  
D881,653 S \* 4/2020 Serrahima ..... D7/602  
D883,921 S \* 5/2020 Ryu ..... D13/108  
D894,191 S \* 8/2020 Turksu ..... D14/434  
2018/0110377 A1\* 4/2018 Assassa ..... A47J 47/005

\* cited by examiner

*Primary Examiner* — Cynthia R Underwood

(74) *Attorney, Agent, or Firm* — Craig A. Fieschko, Esq.;  
Dewitt LLP

(57) **CLAIM**

I claim the ornamental design for a bowl, as shown and described.

**DESCRIPTION**

FIG. 1 is a perspective view of the bowl depicting portions of the bottom, left, and rear sides of the bowl;  
FIG. 2 is a perspective view depicting portions of the top, right, and front sides of the bowl;  
FIG. 3 is a bottom plan view of the bowl;  
FIG. 4 is a top plan view of the bowl;  
FIG. 5 is a front side elevational view of the bowl, the rear elevational view being a mirror image thereof;  
FIG. 6 is a right side elevational view of the bowl, the left side elevational view being a mirror image thereof;  
FIG. 7 is a cross-sectional view of the bowl as seen from the section 7-7 shown in FIG. 1;  
FIG. 8 is a cross-sectional view of the bowl as seen from the section 8-8 shown in FIG. 1; and,  
FIG. 9 is a cross-sectional view of the bowl as seen from the section 9-9 shown in FIG. 1.

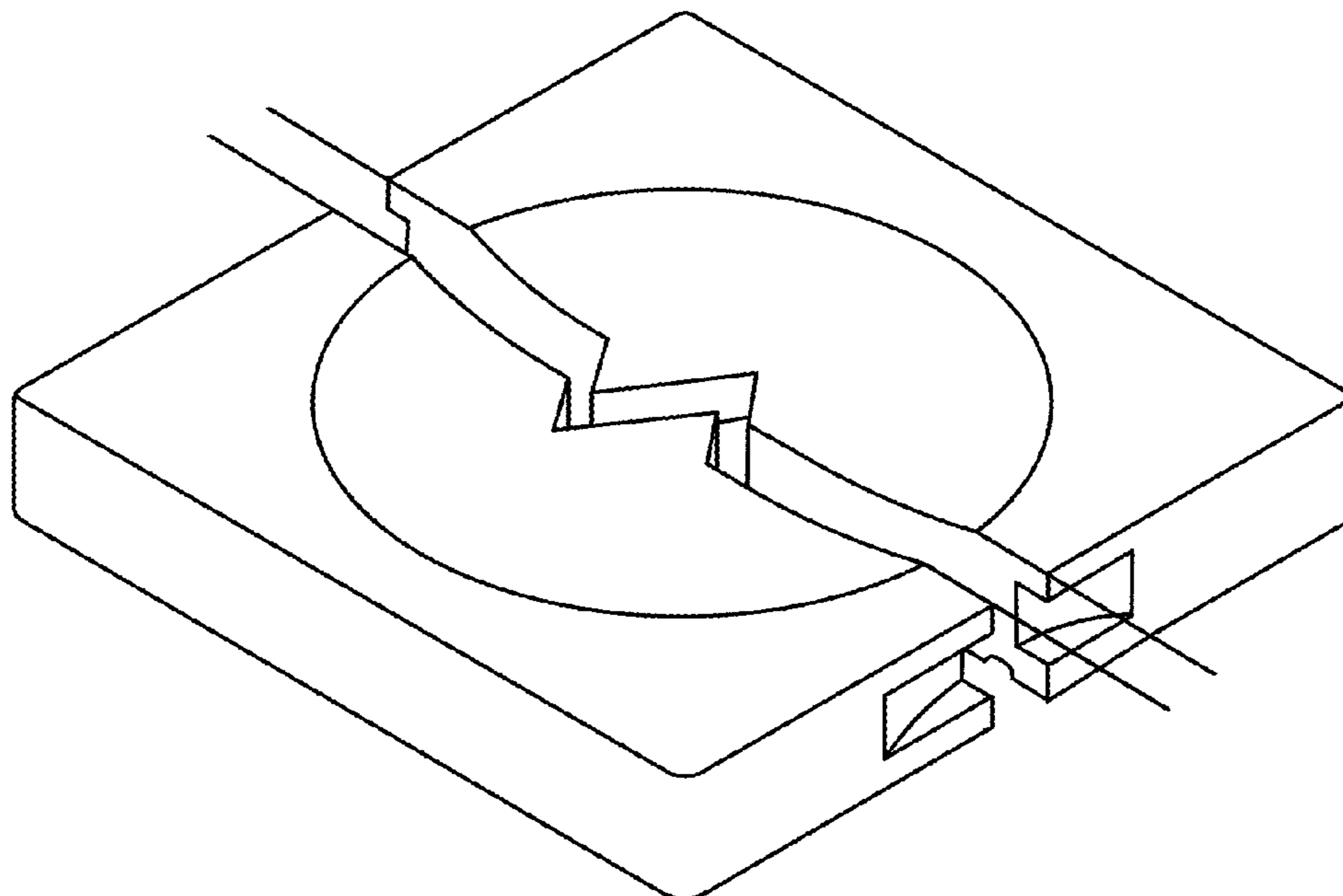
The bowl is show with a symbolic break in between the right and left sides. The appearance of any portion of the article between the break lines forms no part of the claimed design. The break lines form no part of the claim. The broken line markers in FIG. 1 form no part of the claim.

(56) **References Cited**

**U.S. PATENT DOCUMENTS**

D474,373 S \* 5/2003 Carlson ..... D7/584  
D497,781 S \* 11/2004 Joseph ..... D7/586  
D528,039 S \* 9/2006 Sellers ..... D11/164  
D646,122 S \* 10/2011 Burns ..... D7/505  
D665,228 S \* 8/2012 Rosen ..... D7/562  
8,967,421 B2 \* 3/2015 Starkey-Johnson ..... B44D 3/00  
220/630  
D738,165 S \* 9/2015 Liu ..... D7/586  
D766,228 S \* 9/2016 Haymond ..... D14/252  
D767,941 S \* 10/2016 Laurain ..... D7/555  
D793,816 S \* 8/2017 Alteslaben ..... D7/586  
D804,230 S \* 12/2017 Allan ..... D6/716  
D807,701 S \* 1/2018 Bo ..... D7/507  
D812,556 S \* 3/2018 Xu ..... D13/103  
D828,104 S \* 9/2018 Brooke ..... D7/586  
D845,897 S \* 4/2019 Kim ..... D13/108  
D850,371 S \* 6/2019 Yun ..... D13/108  
D875,042 S \* 2/2020 Ye ..... D13/108

**1 Claim, 5 Drawing Sheets**



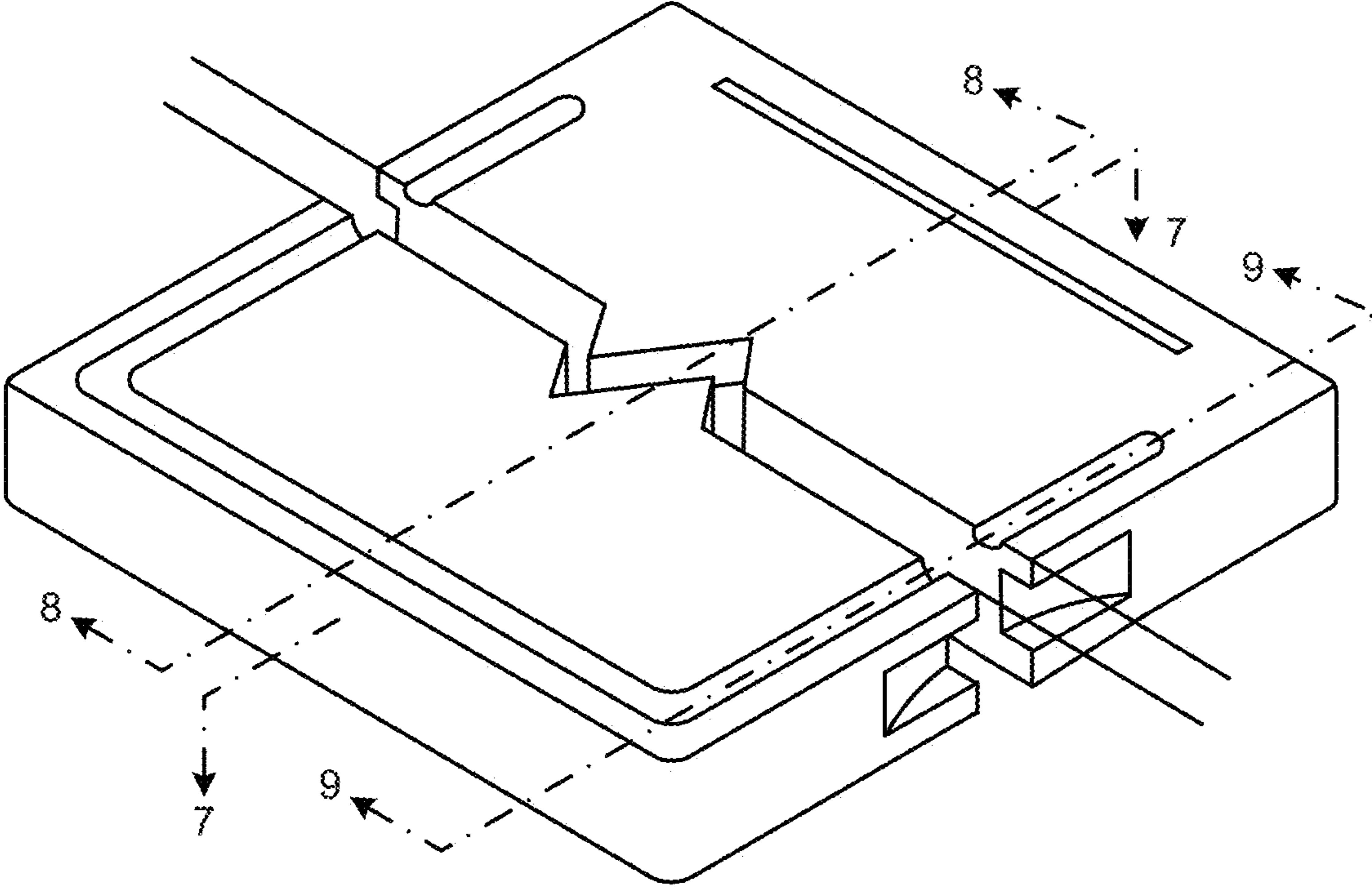


FIG. 1

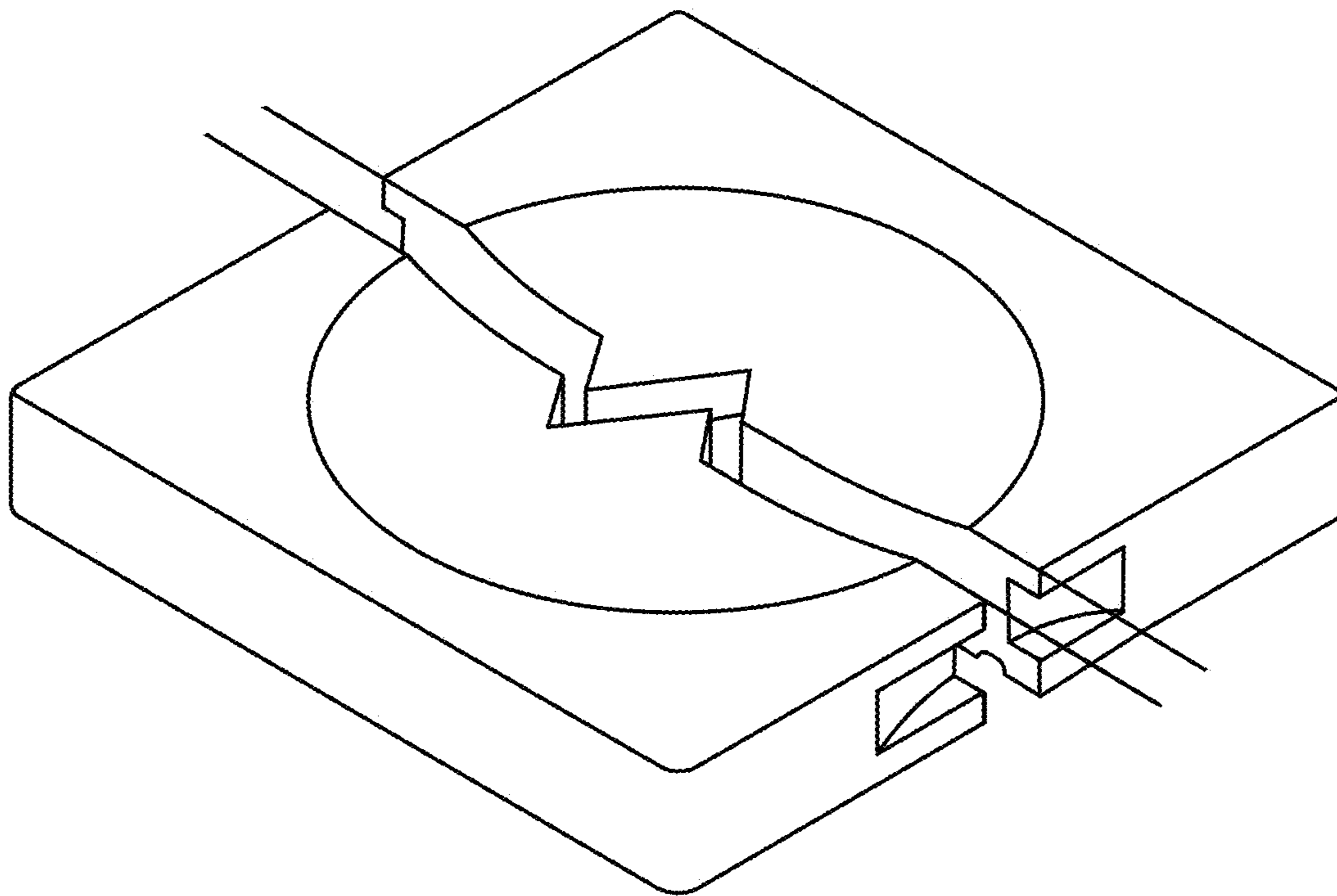


FIG. 2

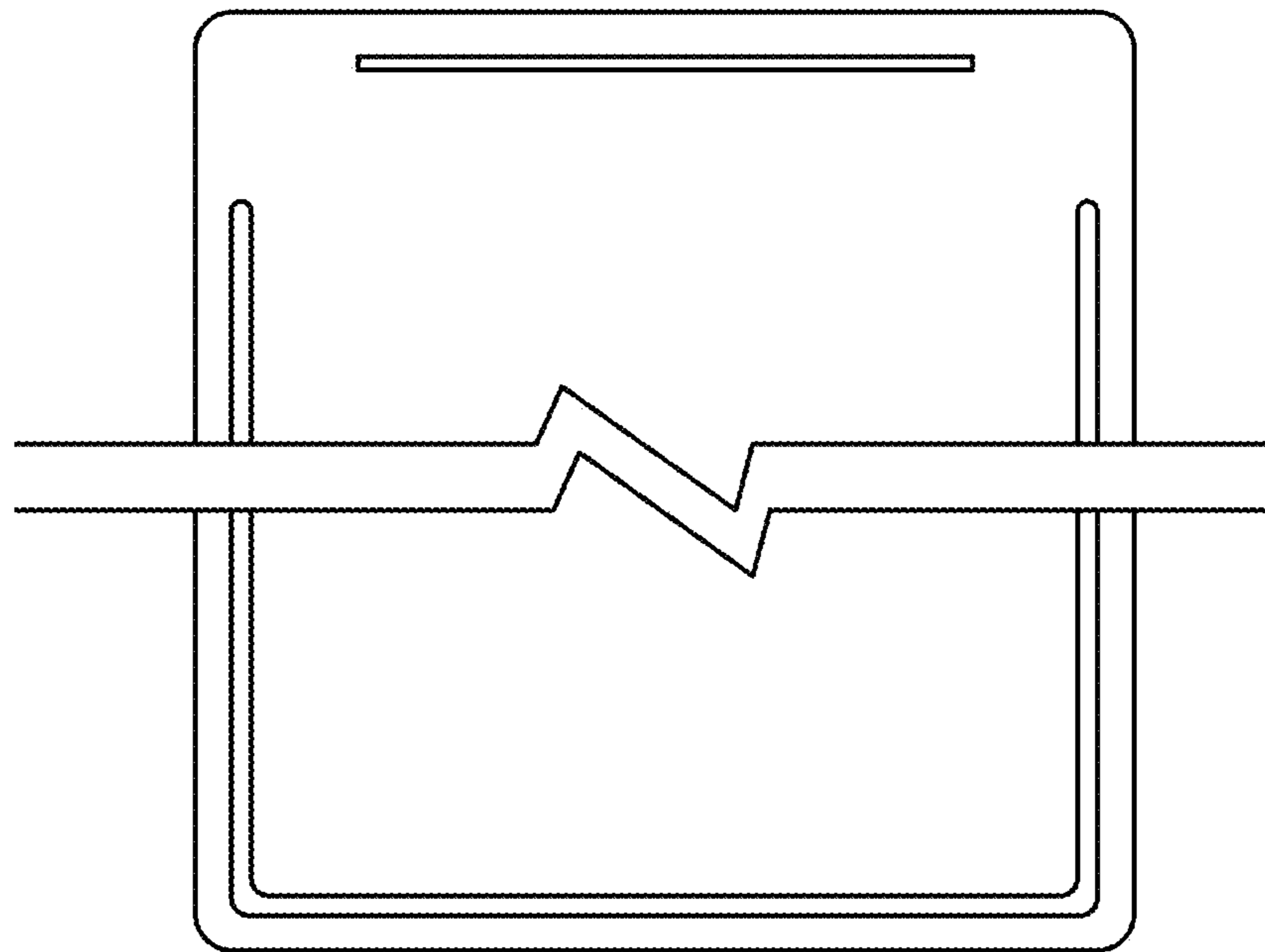


FIG. 3

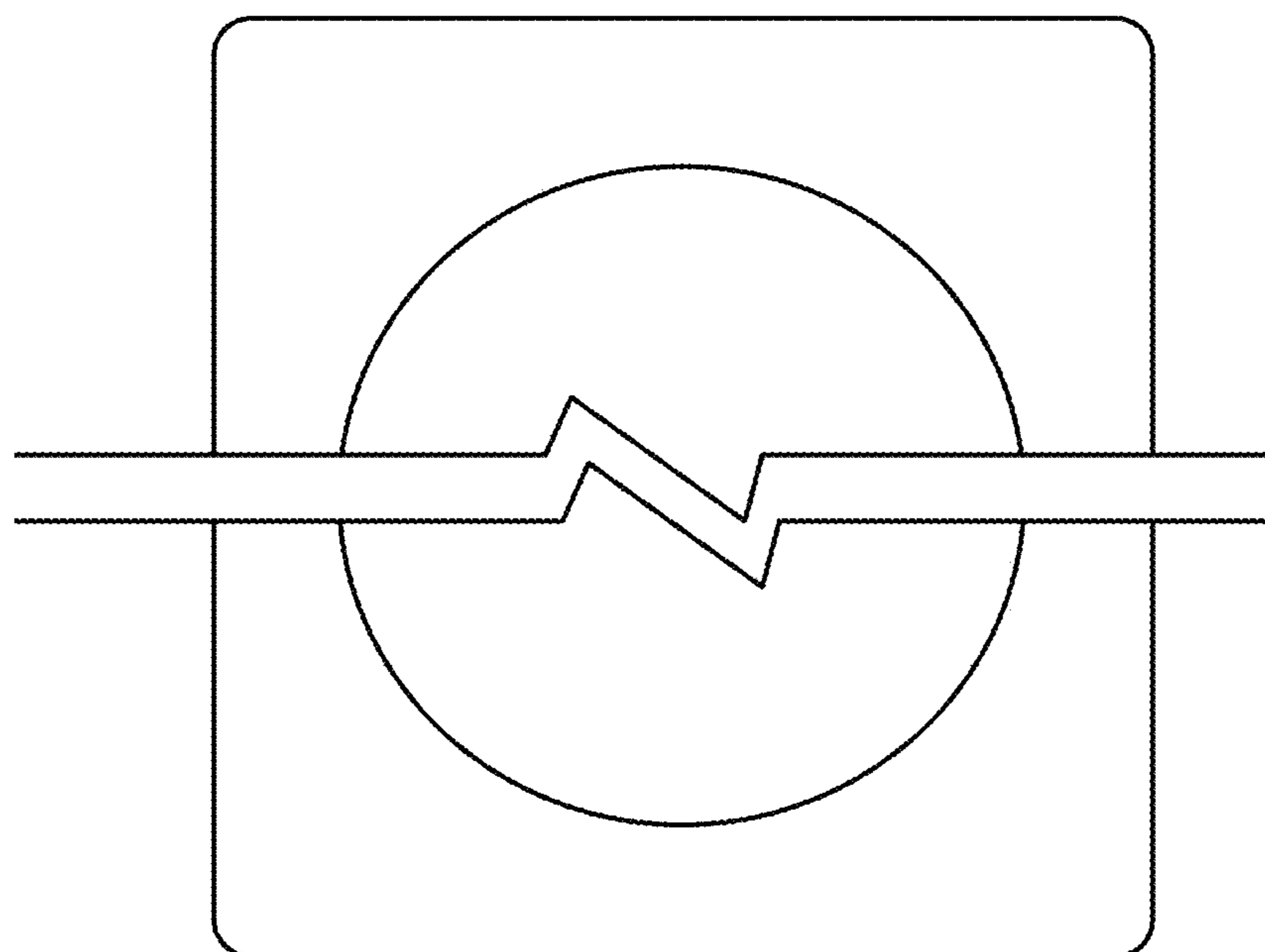


FIG. 4



FIG. 5

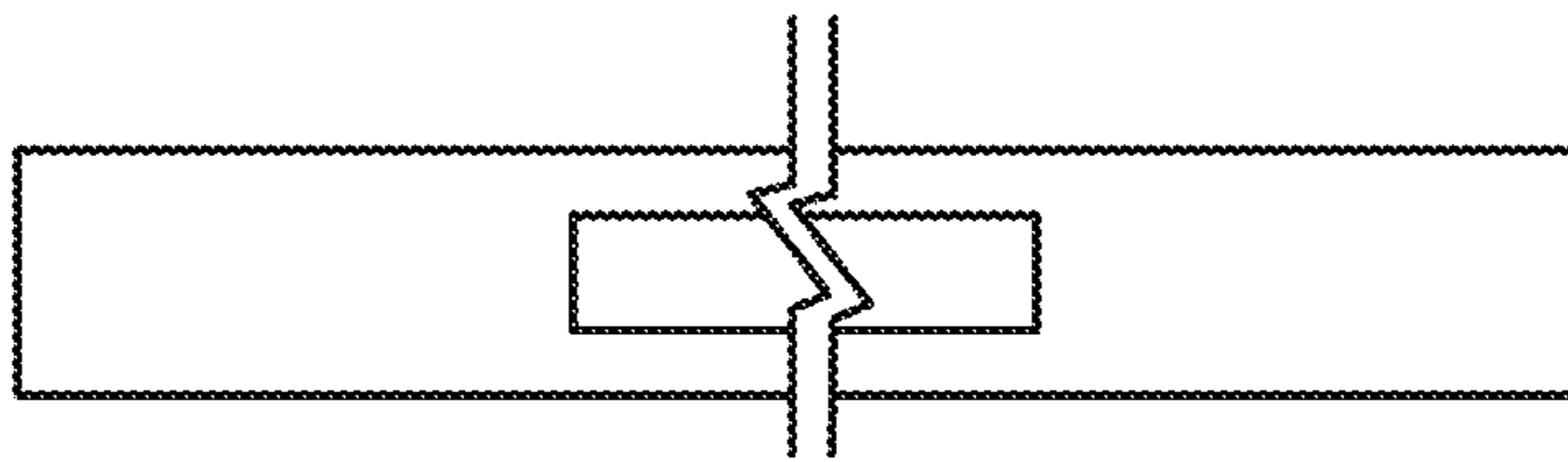


FIG. 6

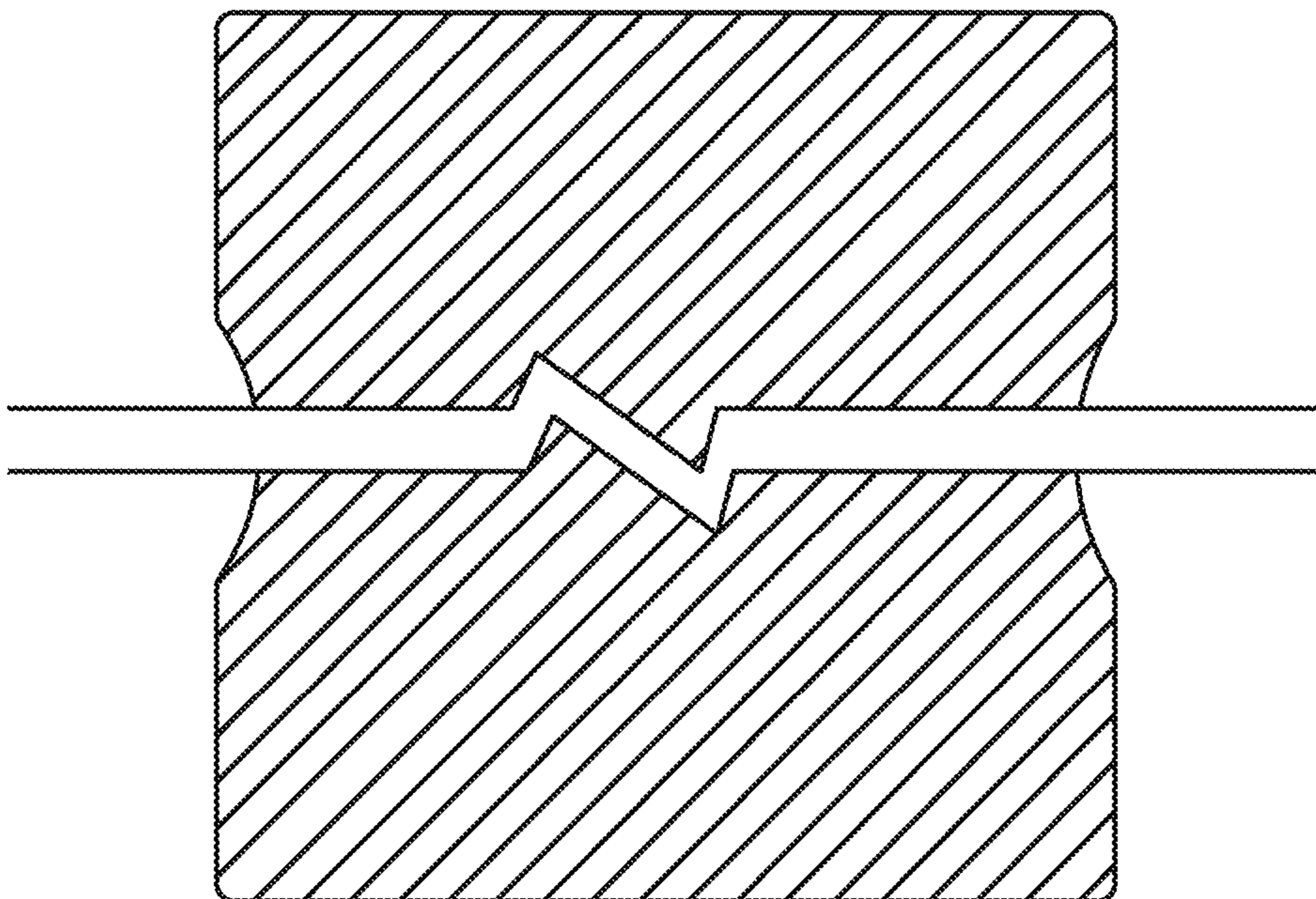


FIG. 7

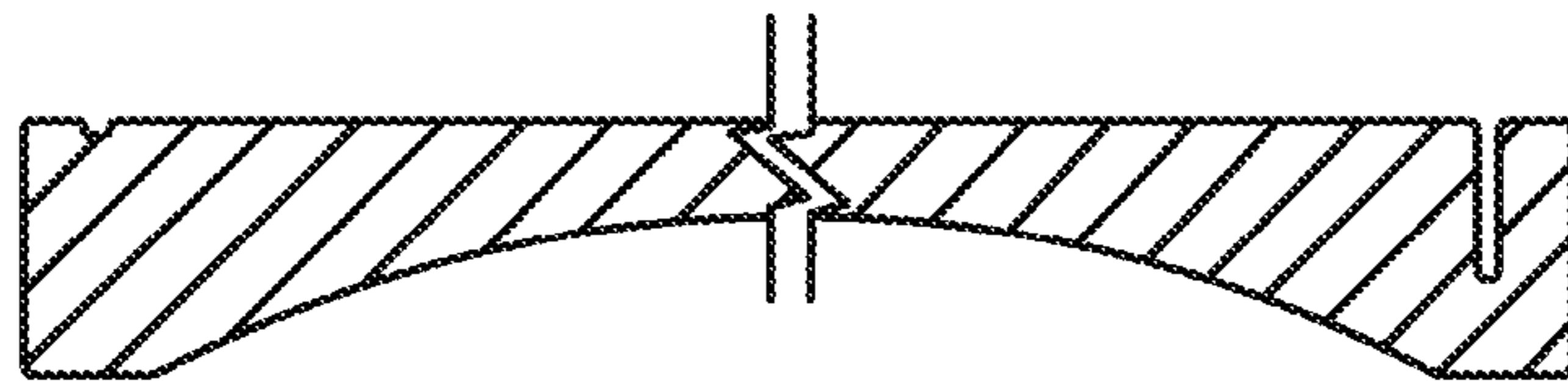


FIG. 8

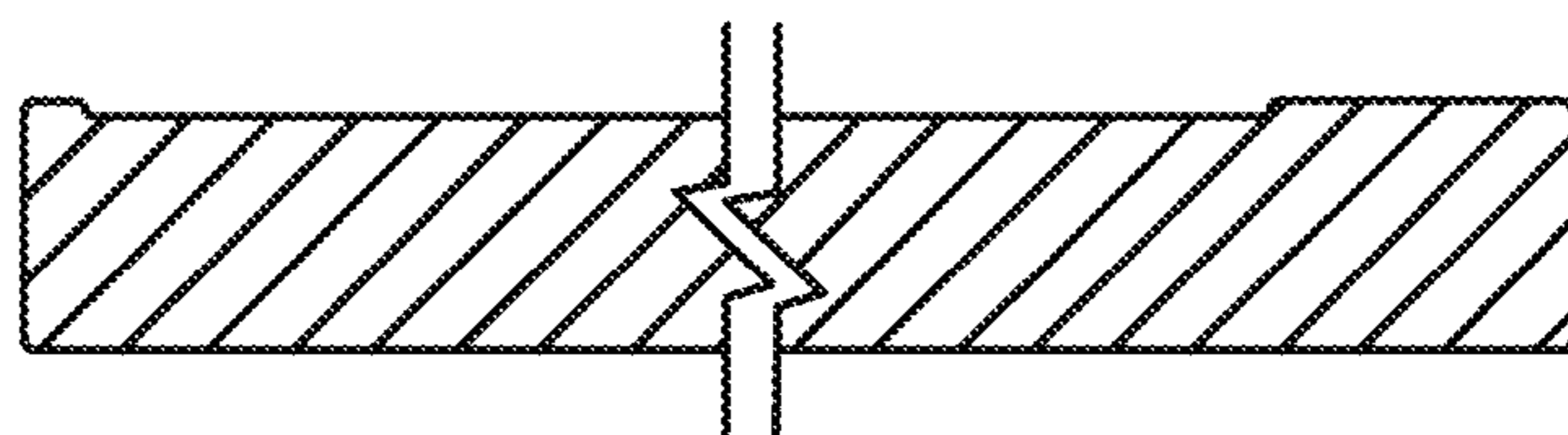


FIG. 9