



US00D907438S

(12) **United States Design Patent**
Sakamoto

(10) **Patent No.:** **US D907,438 S**
(45) **Date of Patent:** **** Jan. 12, 2021**

- (54) **BOTTLE INCORPORATING FILTER**
- (71) Applicant: **HARIO Co., Ltd.**, Tokyo (JP)
- (72) Inventor: **Atsuko Sakamoto**, Tokyo (JP)
- (73) Assignee: **HARIO CO., LTD.**, Tokyo (JP)
- (**) Term: **15 Years**
- (21) Appl. No.: **29/690,478**
- (22) Filed: **May 8, 2019**
- (30) **Foreign Application Priority Data**

Nov. 9, 2018 (JP) 2018-024644

- (51) **LOC (13) Cl.** **07-01**
- (52) **U.S. Cl.**
USPC **D7/507; D7/511; D7/523**
- (58) **Field of Classification Search**
USPC D7/507, 509, 510, 511, 513, 529, 531,
D7/532, 523, 533, 534, 535, 536, 392.1,
D7/296.1, 396.2, 300.1, 608, 300, 320,
D7/624.1, 624.2; D3/202; D9/501, 503,
D9/504, 530, 529, 522, 554, 567, 571,
D9/569, 449, 516
CPC A47G 19/22; A47G 19/2288; A47G
19/2205; A47G 19/2211; A47J 41/0077;
A45F 3/16
See application file for complete search history.

(56) **References Cited**

U.S. PATENT DOCUMENTS

- D396,603 S * 8/1998 Gasser D7/400
- D604,800 S * 11/2009 Vreeland D23/209
- D682,709 S * 5/2013 Wang D9/691
- D694,852 S * 12/2013 Gordon D23/209
- D727,680 S * 4/2015 Parekh D7/392.1
- D751,331 S * 3/2016 Rashid D7/316
- 9,681,771 B2 * 6/2017 Herling A47J 41/0077
- D791,535 S * 7/2017 Yeh D7/400
- D801,184 S * 10/2017 Trevino D9/600

- D828,093 S * 9/2018 Chitayat D7/507
- D856,083 S * 8/2019 Lawson-Shanks D7/507
- D856,730 S * 8/2019 Pisarevsky D7/300
- D873,376 S * 1/2020 Montague D23/209
- D876,887 S * 3/2020 Barber D7/392.1
- D888,495 S * 6/2020 Davis D7/507
- 2012/0055862 A1 * 3/2012 Parekh C02F 1/283
210/244
- 2014/0174965 A1 * 6/2014 Herling A47J 31/20
206/216
- 2014/0217056 A1 * 8/2014 Parekh B65D 41/04
215/228
- 2014/0224725 A1 * 8/2014 Uspenski A47J 31/005
210/444

(Continued)

OTHER PUBLICATIONS

https://www.amazon.com/Katadyn-Membrane-Endurance-Camping-Backpacking/dp/B01M0MZ7NI/ref=sr_1_37?dchild=1&keywords=bottle+with+filter&qid=1599242810&sr=8-37 (Year: 2016).*

Primary Examiner — Jae Liang
(74) *Attorney, Agent, or Firm* — Potomac Law Group, PLLC; George Dolina

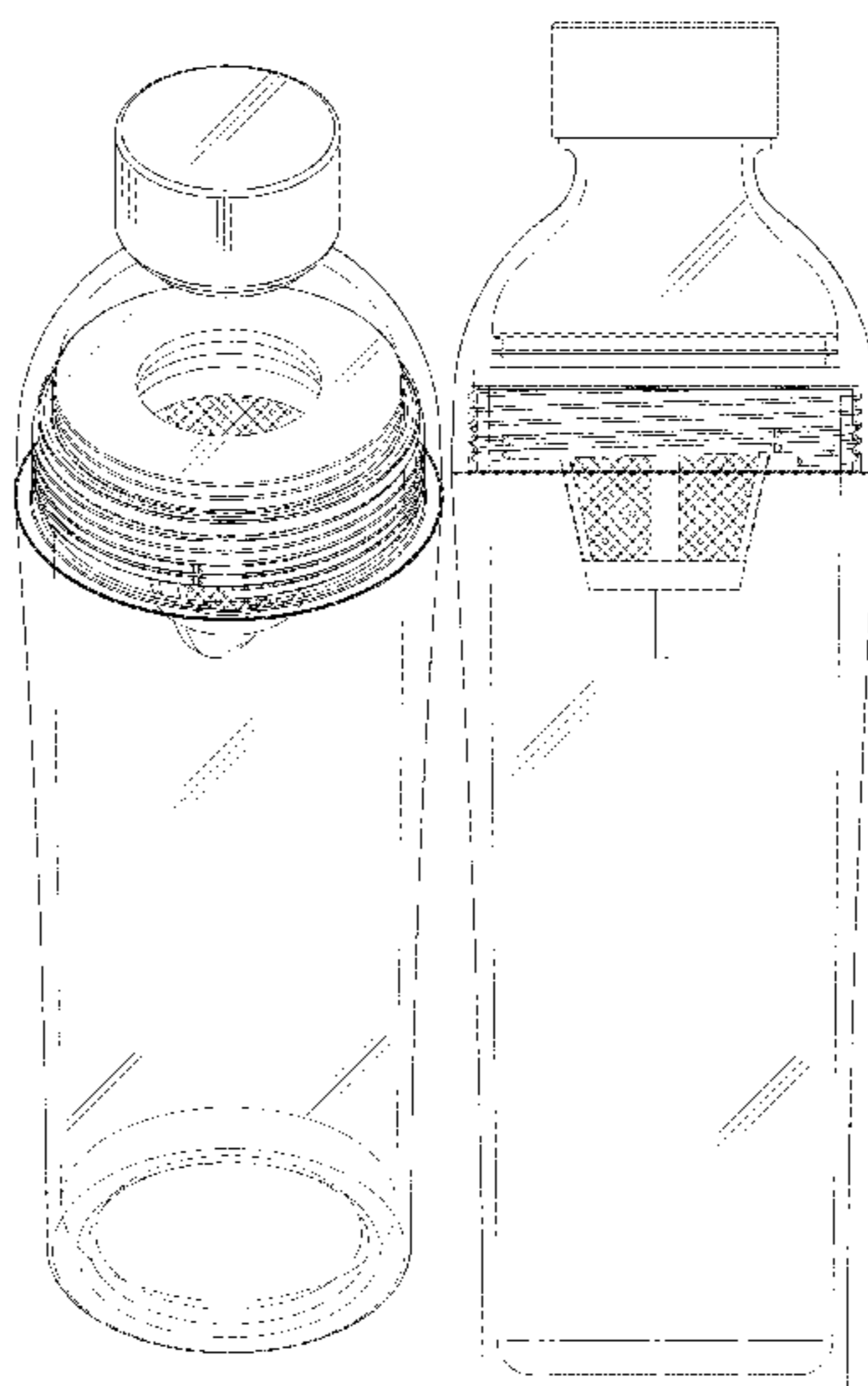
(57) **CLAIM**

The ornamental design for a bottle incorporating filter, as shown and described.

DESCRIPTION

FIG. 1 is a front perspective view for a bottle incorporating filter showing the new design;
FIG. 2 is a front view thereof;
FIG. 3 is a rear view thereof;
FIG. 4 is a top view thereof;
FIG. 5 is a bottom view thereof;
FIG. 6 is a left-side view thereof;
FIG. 7 is a right-side view thereof; and,
FIG. 8 is an enlarged cross-sectional view taken along line 8-8 of FIG. 4 thereof.

1 Claim, 7 Drawing Sheets



(56)

References Cited

U.S. PATENT DOCUMENTS

2016/0174470 A1* 6/2016 Shaffer A01G 9/0291
47/66.7
2018/0273398 A1* 9/2018 Pehar C02F 1/003

* cited by examiner

Fig. 1

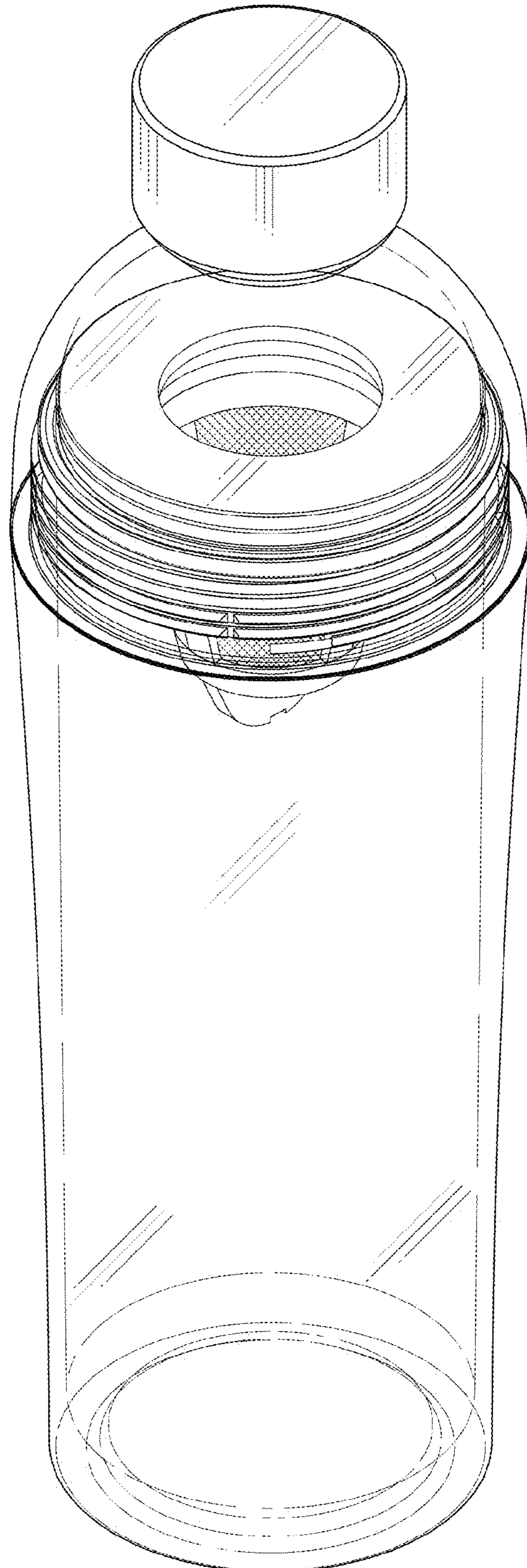


Fig. 2

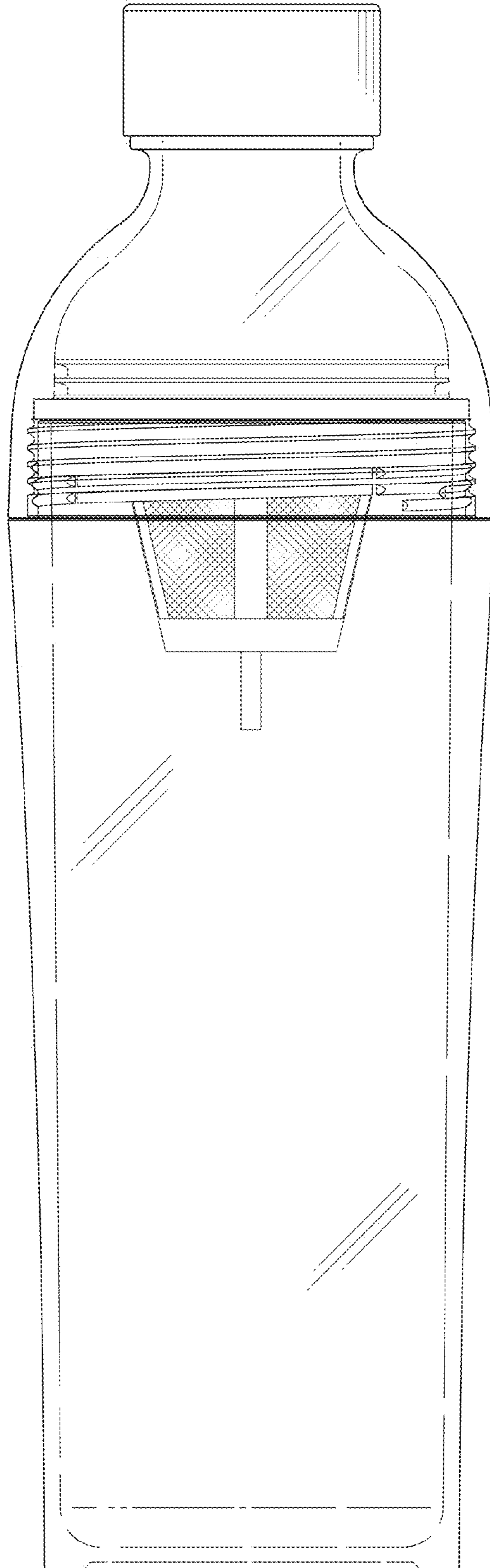


Fig. 3

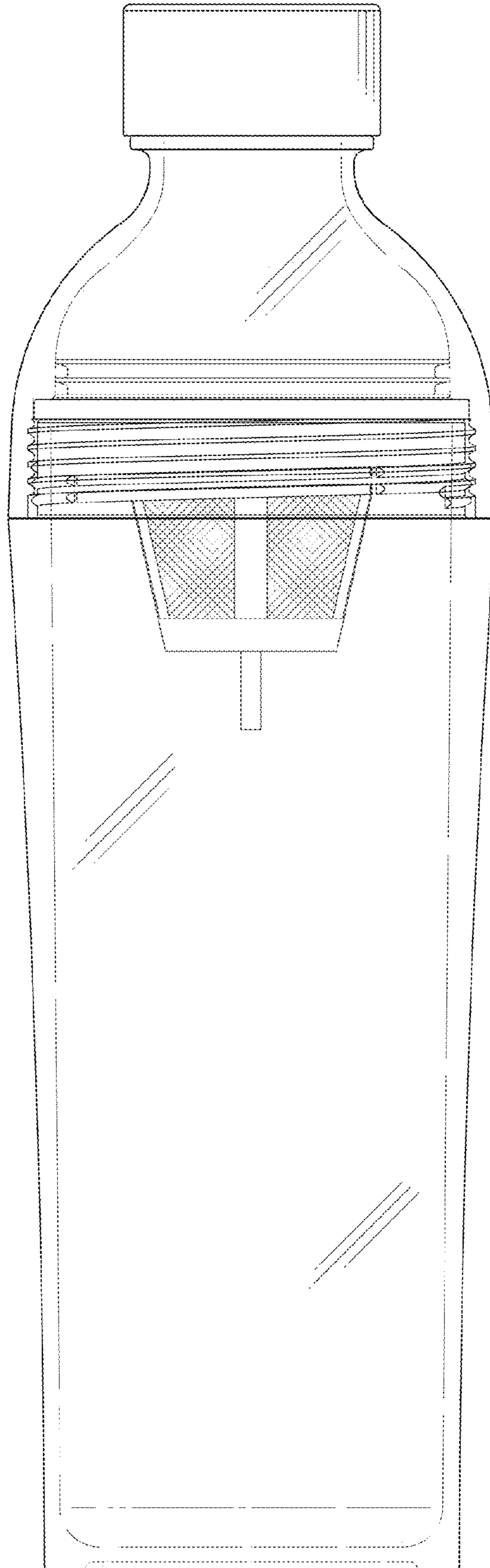


Fig.4

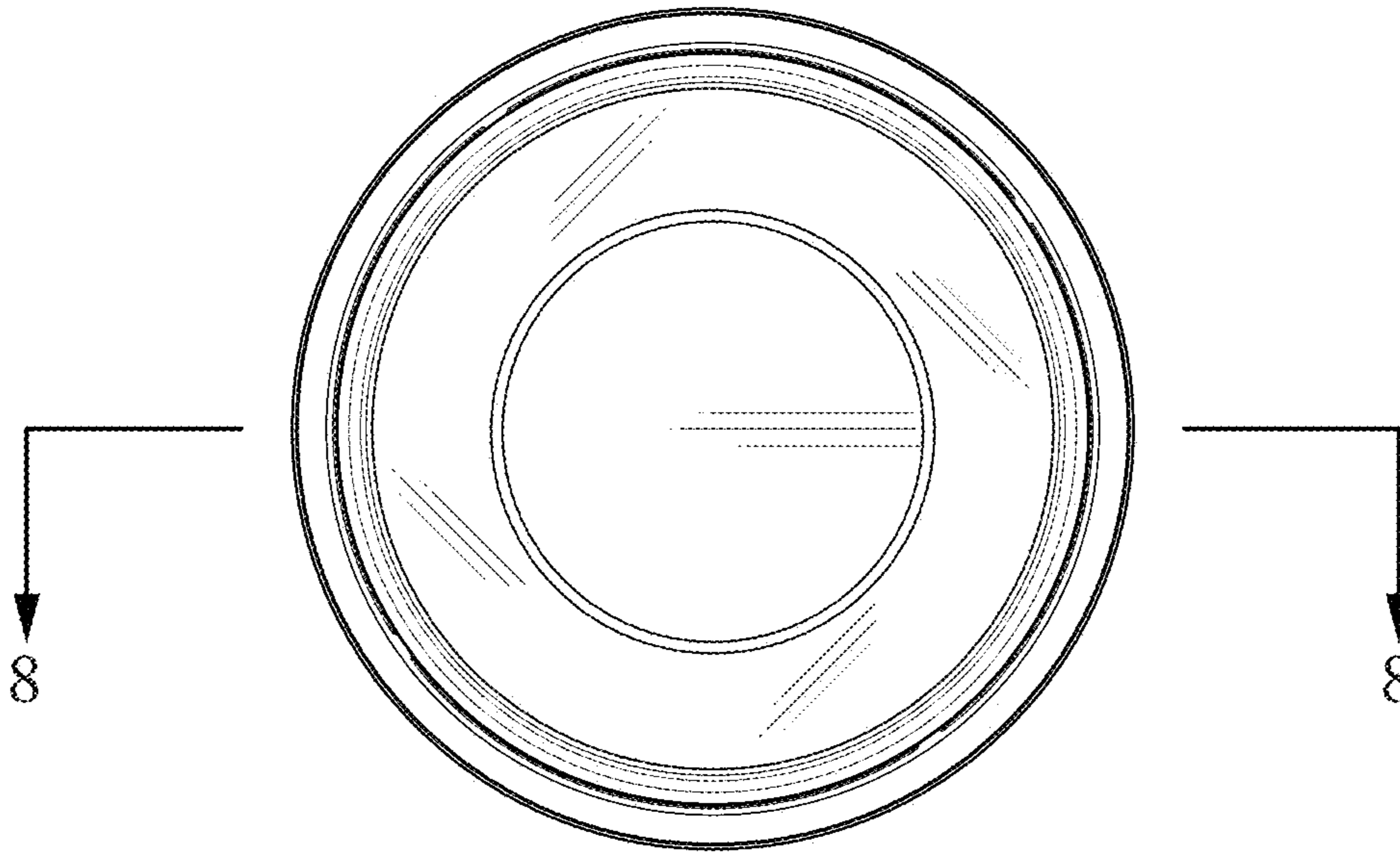


Fig.5

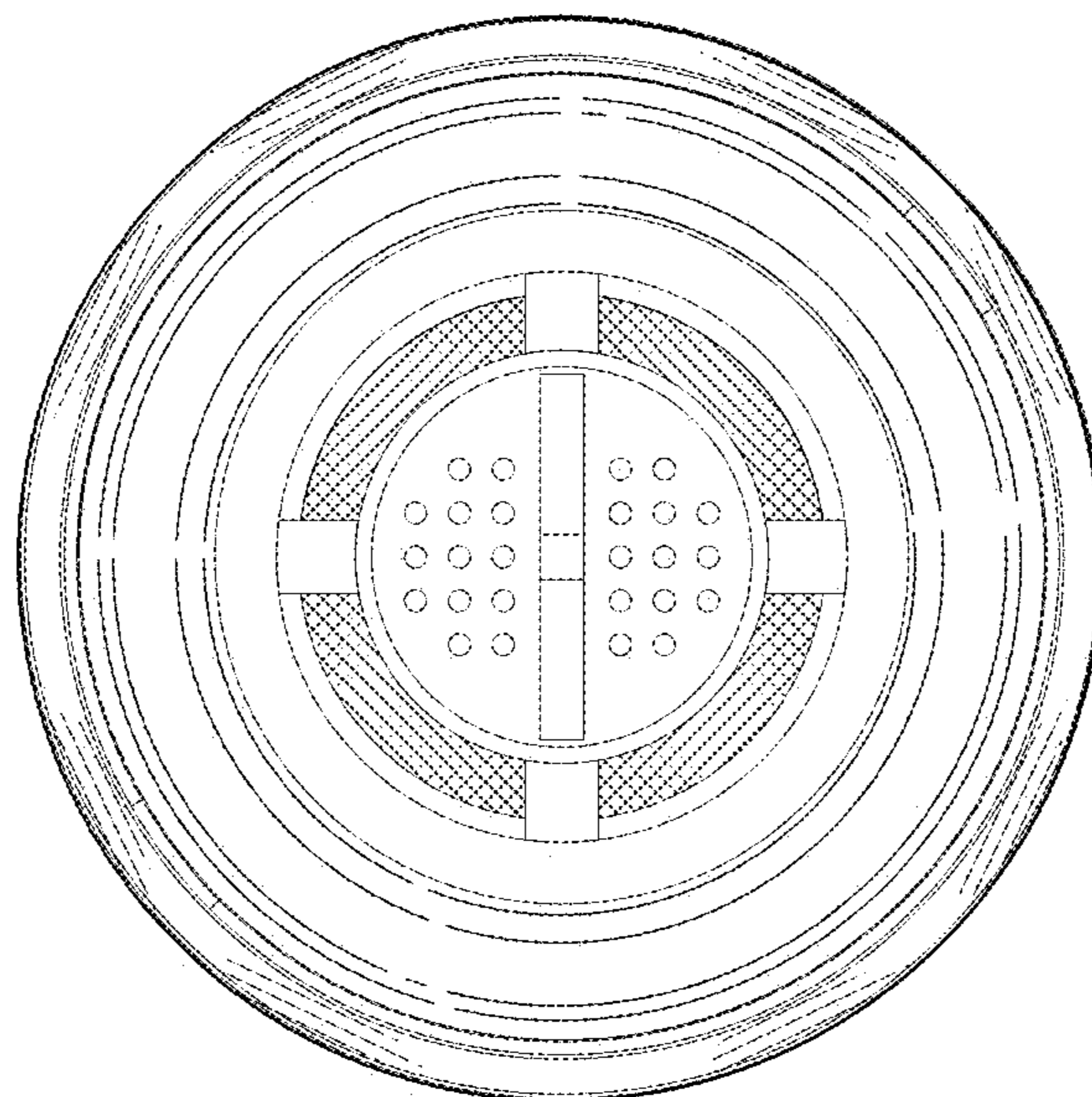


Fig. 6

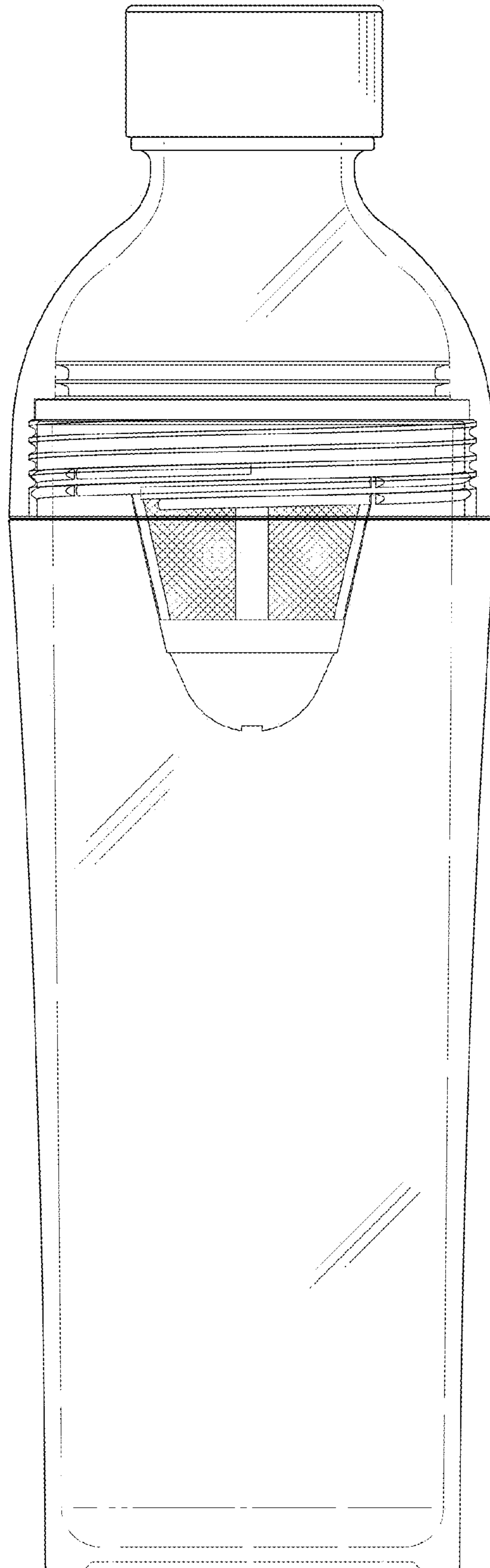


Fig. 7

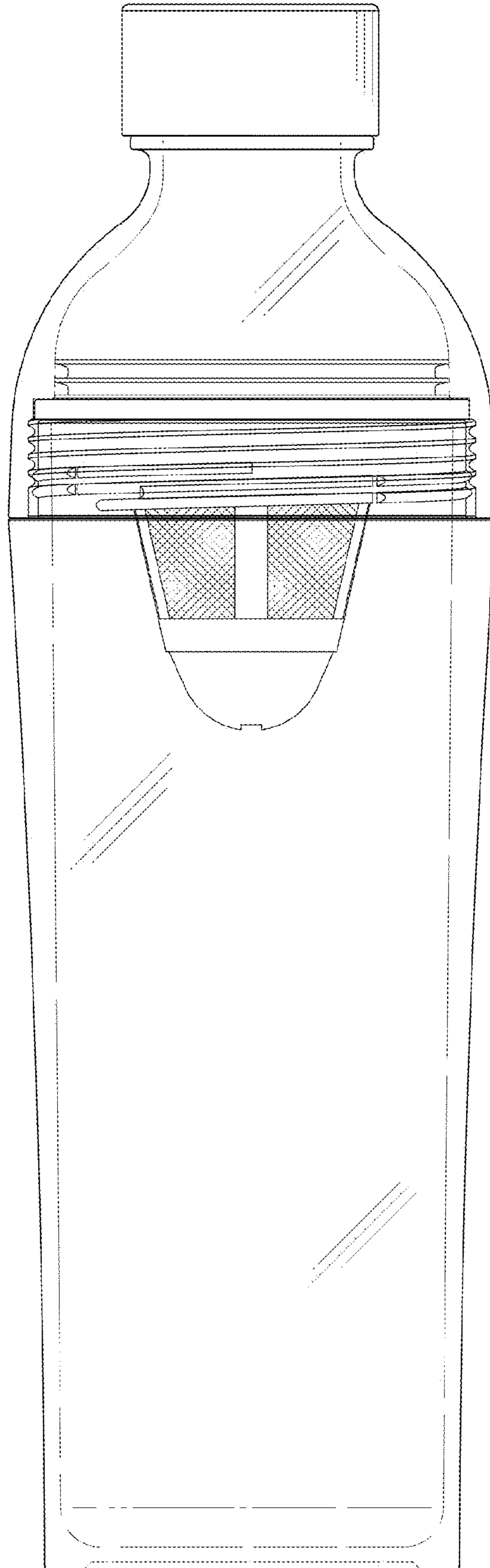


Fig. 8

