



US00D907435S

(12) **United States Design Patent** (10) **Patent No.:** **US D907,435 S**  
**Späth** (45) **Date of Patent:** **\*\* Jan. 12, 2021**

(54) **PAN HANDLE**  
(71) Applicant: **Fissler GmbH**, Idar-Oberstein (DE)  
(72) Inventor: **Kathleen Späth**, Gersheim (DE)  
(73) Assignee: **Fissler GmbH**, Idar-Oberstein (DE)  
(\*\*) Term: **15 Years**  
(21) Appl. No.: **35/507,227**  
(22) Filed: **Jan. 15, 2019**  
(80) **Hague Agreement Data**  
Int. Filing Date: **Jan. 15, 2019**  
Int. Reg. No.: **DM/202248**  
Int. Reg. Date: **Jan. 15, 2019**  
Int. Reg. Pub. Date: **Aug. 16, 2019**

(51) **LOC (13) Cl.** ..... **07-99**  
(52) **U.S. Cl.**  
USPC ..... **D7/395**  
(58) **Field of Classification Search**  
USPC ..... D4/138; D7/354, 361, 393, 395, 664,  
D7/682, 691; D8/83, 97, 307  
CPC ..... A47J 45/06; A47J 45/061; A47J 45/07;  
A47J 45/071; A47J 45/08; A47J 45/10;  
A47J 17/02; A45C 13/26; A45C 13/22;  
A01F 5/00  
See application file for complete search history.

(56) **References Cited**  
U.S. PATENT DOCUMENTS  
D347,967 S \* 6/1994 Munari ..... D7/395  
D477,966 S \* 8/2003 Burton ..... D7/395  
D482,567 S \* 11/2003 Demers ..... D7/395  
D497,771 S \* 11/2004 Thomkins ..... D7/395  
D555,973 S \* 11/2007 Rae ..... D7/395

D579,265 S \* 10/2008 Munari ..... D7/395  
D582,208 S \* 12/2008 Robson ..... D7/395  
D586,177 S \* 2/2009 Loring ..... D7/361  
D593,794 S \* 6/2009 Rae ..... D7/395  
D610,401 S \* 2/2010 Pantaleo ..... D7/395  
D618,961 S \* 7/2010 Chafai ..... D7/395  
D635,396 S \* 4/2011 Rae ..... D7/395  
D672,194 S \* 12/2012 Rae ..... D7/395  
D682,026 S \* 5/2013 Rae ..... D7/395  
D729,002 S \* 5/2015 Barberi ..... D7/395  
D737,094 S \* 8/2015 Hundley ..... D7/395  
D758,794 S \* 6/2016 Barberi ..... D7/395  
D765,470 S \* 9/2016 Schuler ..... D7/395  
D779,873 S \* 2/2017 Barberi ..... D7/395  
D783,343 S \* 4/2017 Barberi ..... D7/395  
D798,655 S \* 10/2017 Barberi ..... D7/395  
D805,346 S \* 12/2017 Ryan ..... D7/395  
D823,635 S \* 7/2018 Gabbay ..... D7/361  
D828,087 S \* 9/2018 Munari ..... D7/395  
D845,069 S \* 4/2019 Lee ..... D7/395  
D846,942 S \* 4/2019 Wang ..... D7/395

\* cited by examiner

*Primary Examiner* — Robert M. Spear  
(74) *Attorney, Agent, or Firm* — Duane Morris LLP

(57) **CLAIM**

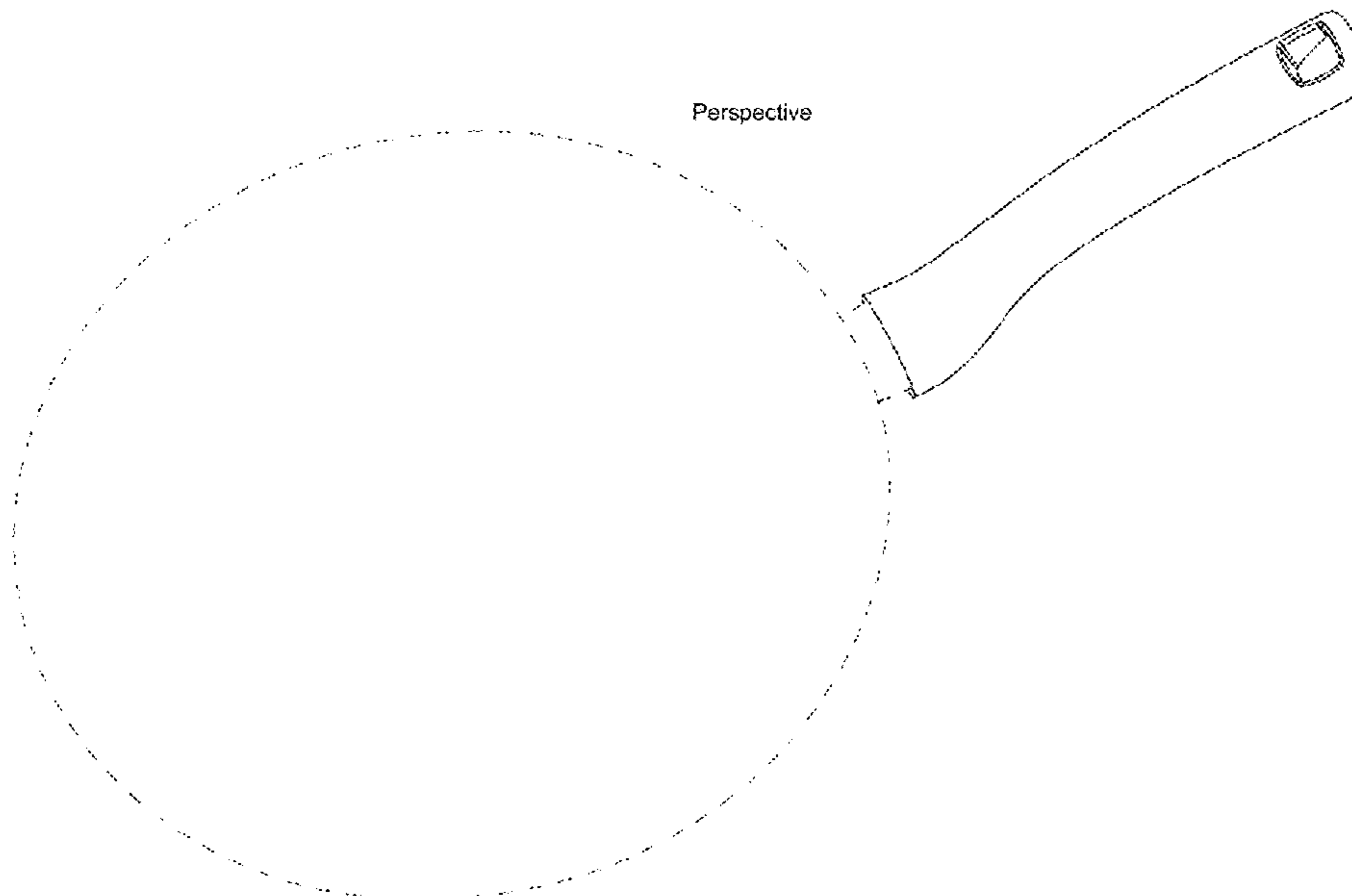
The ornamental design for a pan handle as shown and described.

**DESCRIPTION**

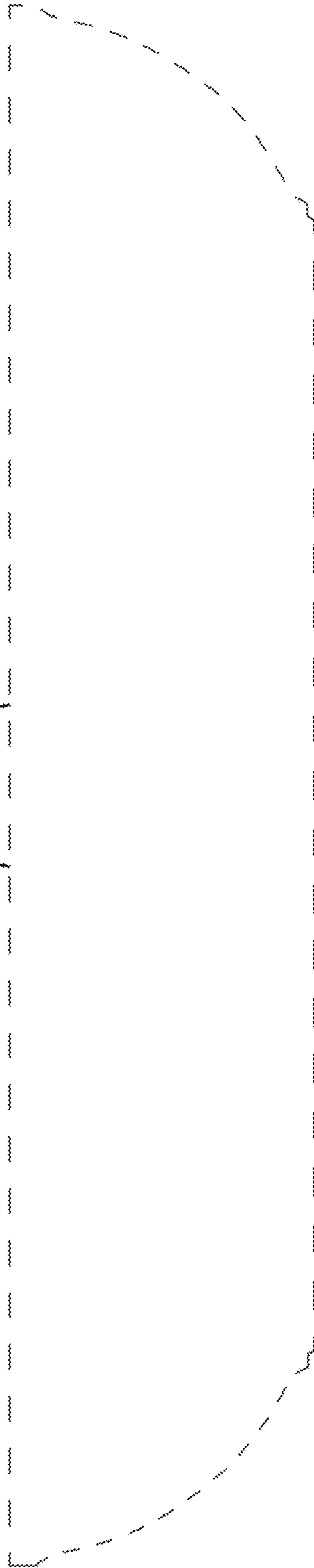
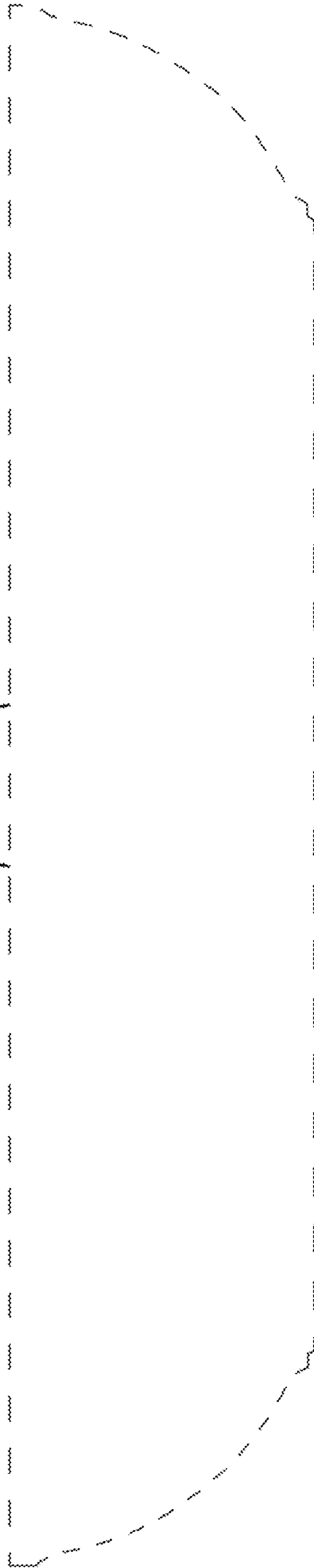
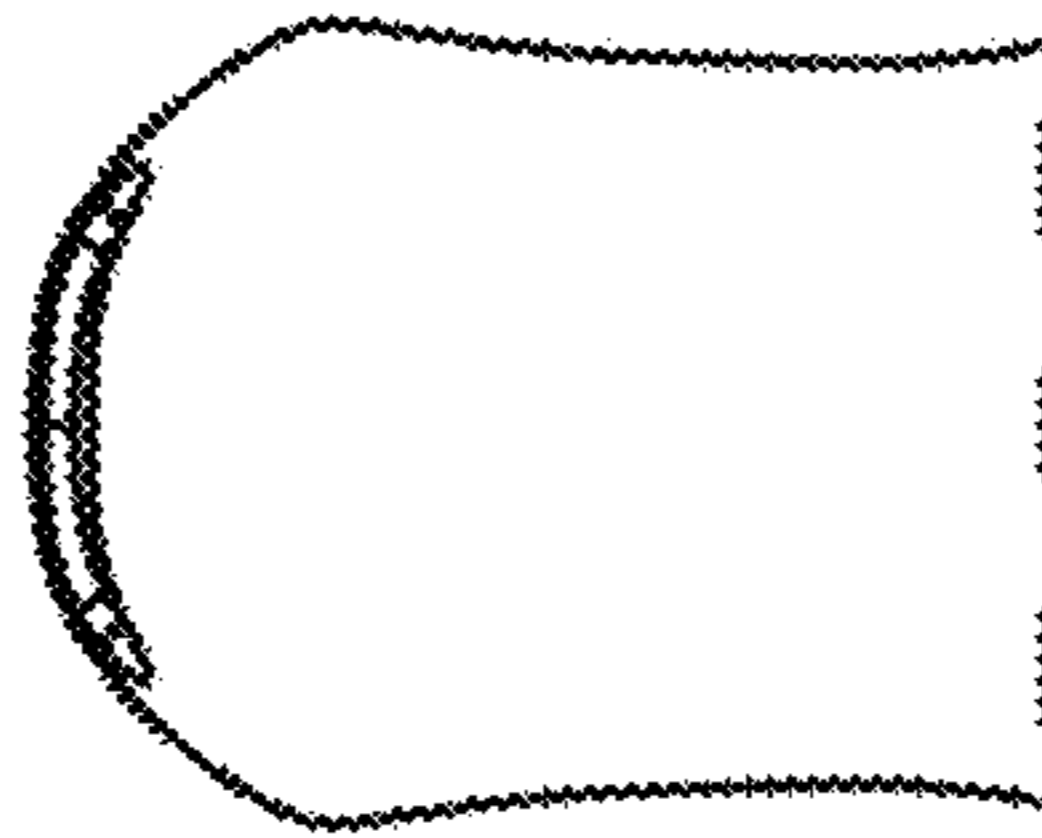
- 1. Pan handle
- 1.1 : Front
- 1.2 : Back
- 1.3 : Bottom
- 1.4 : Perspective
- 1.5 : Top
- 1.6 : Side view

The broken line showing a pan depicts environment and forms no part of the claim.

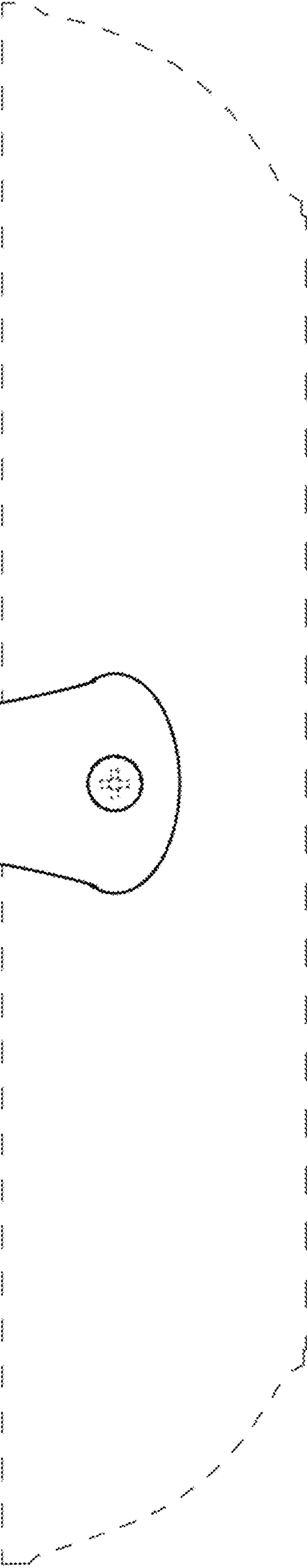
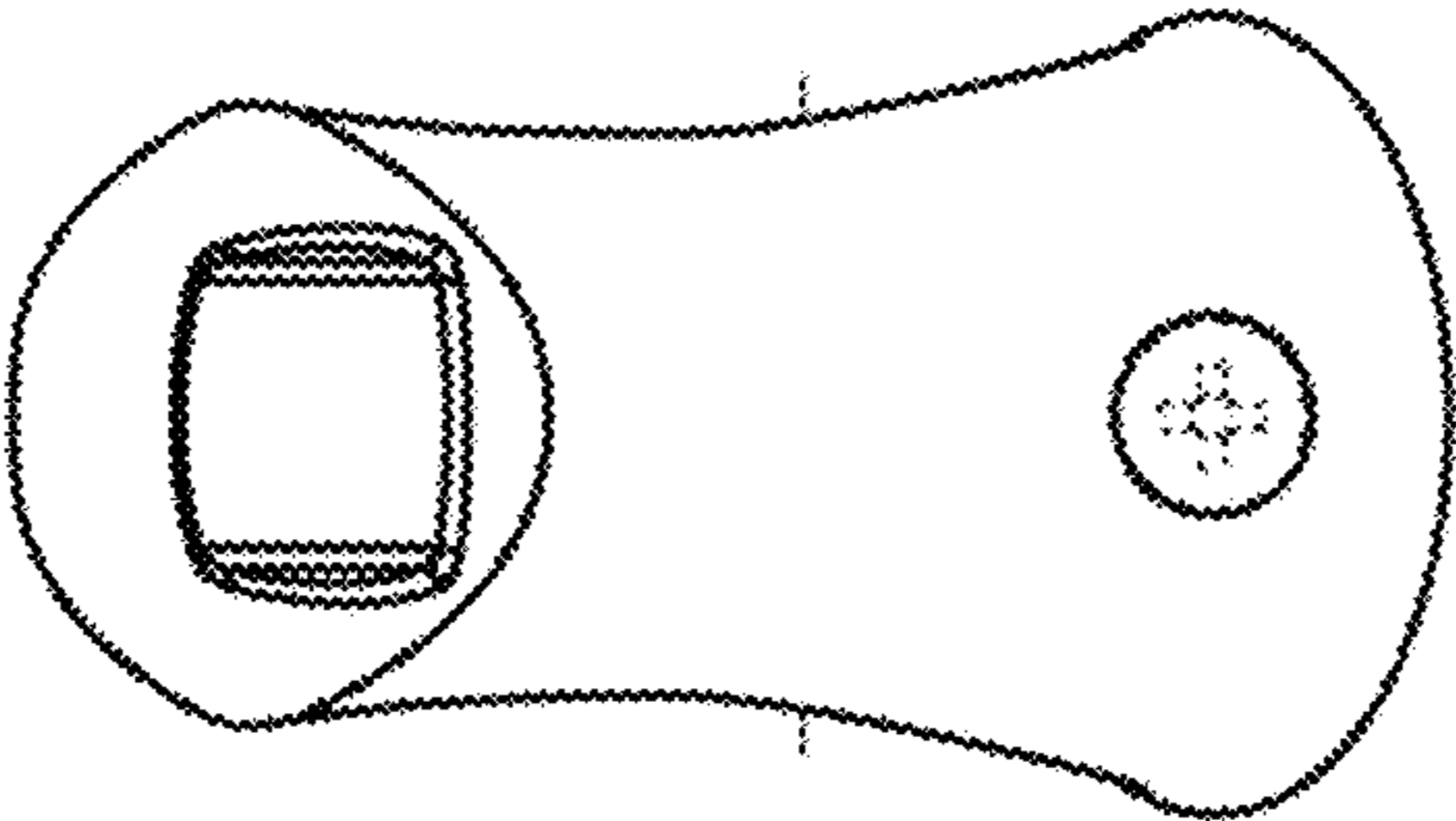
**1 Claim, 6 Drawing Sheets**

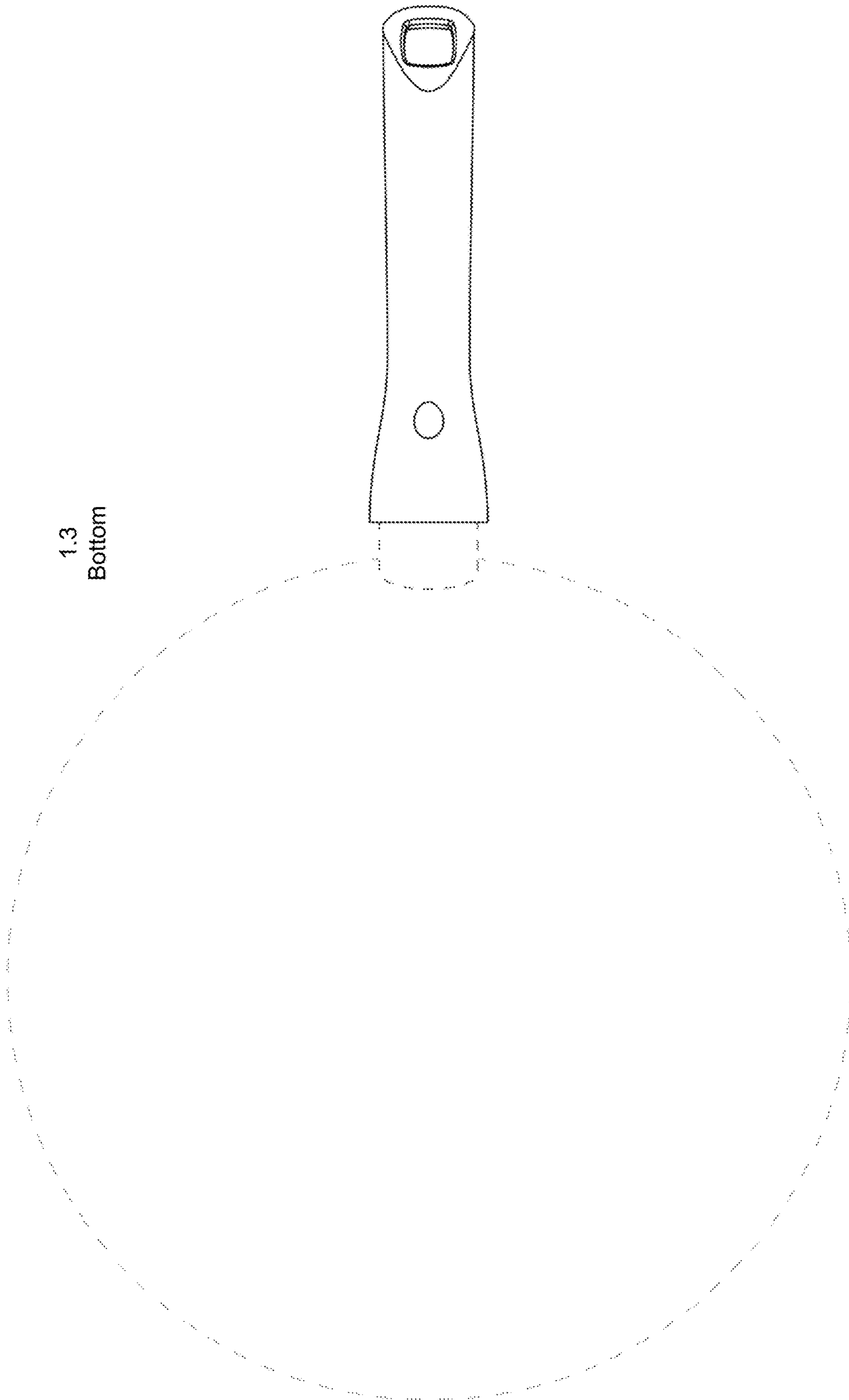


1.1  
Front

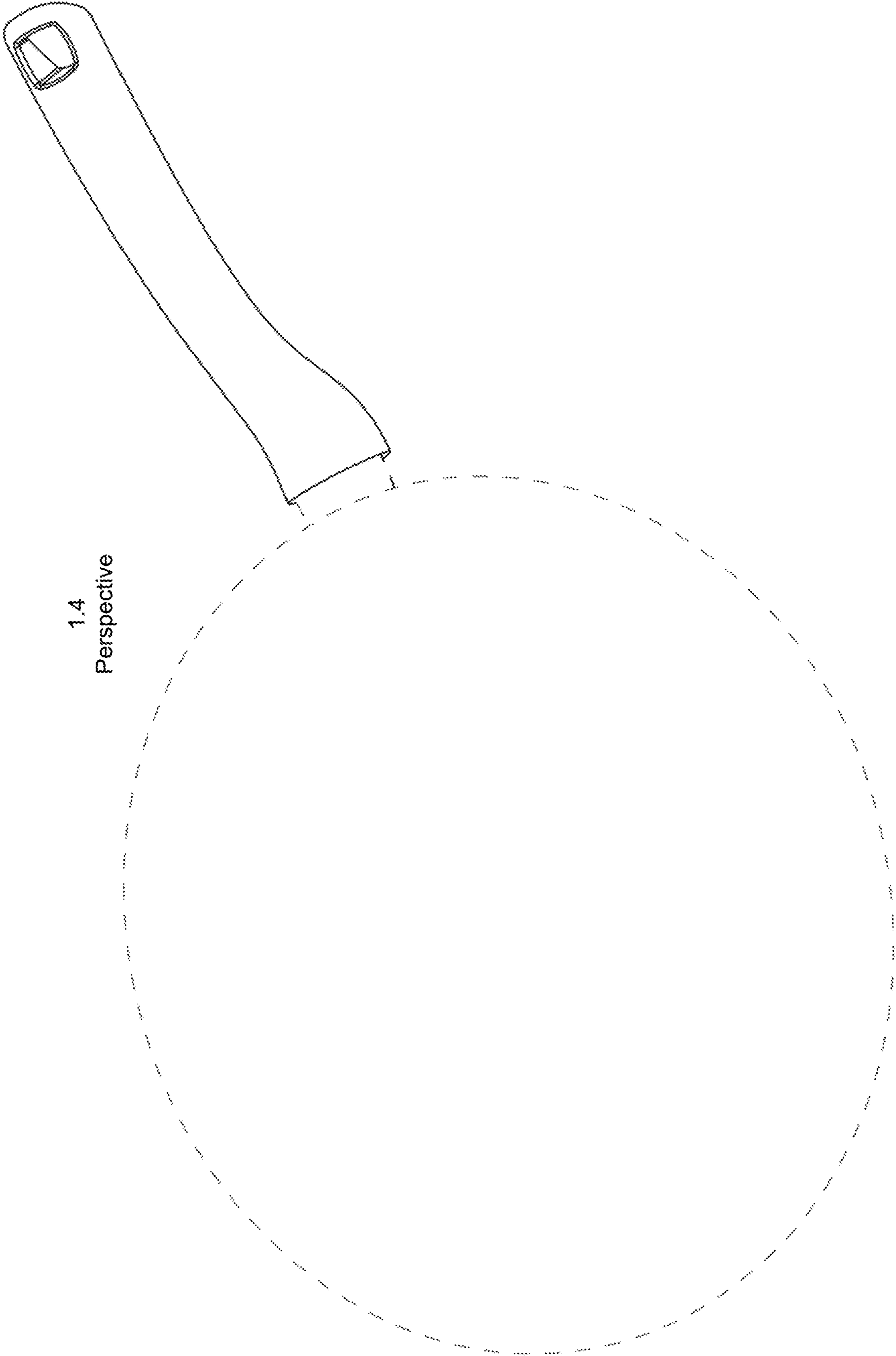


1.2  
Back





1.3  
Bottom



1.4  
Perspective

