



US00D907434S

(12) **United States Design Patent**
Rajasekaran

(10) **Patent No.:** **US D907,434 S**

(45) **Date of Patent:** **** Jan. 12, 2021**

(54) **COOKWARE HANDLE**

(71) Applicant: **E. MISHAN & SONS, INC.**, New York, NY (US)

(72) Inventor: **Mohan Rajasekaran**, Watertown, CT (US)

(73) Assignee: **E. Mishan & Sons, Inc.**, New York, NY (US)

(**) Term: **15 Years**

(21) Appl. No.: **29/749,218**

(22) Filed: **Sep. 3, 2020**

(51) **LOC (13) Cl.** **07-02**

(52) **U.S. Cl.**
USPC **D7/395**

(58) **Field of Classification Search**
USPC D7/354-361, 393-395, 664, 401.2, 402
CPC A47J 45/06; A47J 45/061; A47J 45/062;
A47J 45/071; A47J 45/072; A47J 45/08;
A47J 45/085
See application file for complete search history.

(56) **References Cited**

U.S. PATENT DOCUMENTS

| | | | |
|--------------|---------|------------------|--------|
| D191,836 S | 11/1961 | Ebstein | |
| D426,107 S | 6/2000 | Cheng | |
| D429,950 S | 8/2000 | Yu et al. | |
| D445,642 S | 7/2001 | Rae | |
| D477,966 S | 8/2003 | Burton et al. | |
| D477,967 S | 8/2003 | Burton et al. | |
| D575,982 S | 9/2008 | Rae | |
| D596,898 S | 7/2009 | Tetreault et al. | |
| D638,258 S | 5/2011 | Henry | |
| D644,486 S * | 9/2011 | Groll | D7/395 |
| D693,627 S | 11/2013 | Moon et al. | |
| D704,505 S * | 5/2014 | Clabots | D7/395 |
| D705,003 S | 5/2014 | Rae et al. | |
| D720,177 S | 12/2014 | Genatossio | |

| | | | |
|----------------|---------|--------------------|-------------|
| D730,113 S | 5/2015 | Barberi | |
| D730,114 S | 5/2015 | Barberi | |
| D740,604 S * | 10/2015 | Barberi | D7/395 |
| D783,338 S | 4/2017 | Mirchandani et al. | |
| D790,271 S * | 6/2017 | Ryan | D7/395 |
| 9,833,101 B2 * | 12/2017 | Moon | H05B 6/1209 |
| D813,595 S * | 3/2018 | Narvaez Lopez | D7/395 |

(Continued)

FOREIGN PATENT DOCUMENTS

| | | |
|----|---------------|---------|
| EM | 0017849010002 | 12/2010 |
| EM | 0021660330001 | 1/2013 |

(Continued)

Primary Examiner — Cynthia M. Chin

(74) *Attorney, Agent, or Firm* — Notaro, Michalos & Zaccaria P.C.

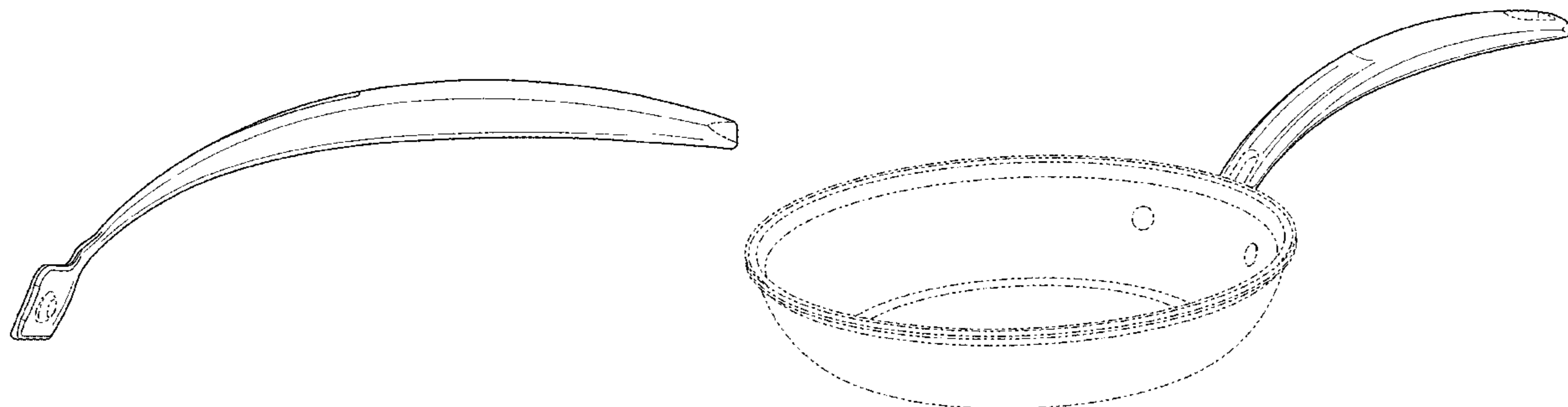
(57) **CLAIM**

The ornamental design for a cookware handle, as shown and described.

DESCRIPTION

FIG. 1 is a front elevational view of a cookware handle showing my design therefor;
FIG. 2 is a rear elevational view thereof;
FIG. 3 is a left side elevational view thereof;
FIG. 4 is a right side elevational view thereof;
FIG. 5 is a top plan view thereof;
FIG. 6 is a bottom plan view thereof;
FIG. 7 is a top, front perspective view thereof;
FIG. 8 is a rear elevational view thereof;
FIG. 9 is a front elevational view thereof;
FIG. 10 is a left side elevational view thereof;
FIG. 11 is a right side elevational view thereof;
FIG. 12 is a top plan view thereof; and,
FIG. 13 is a bottom plan view thereof.
Throughout the drawings, broken lines show environment and form no part of the design.

1 Claim, 13 Drawing Sheets



(56)

References Cited

U.S. PATENT DOCUMENTS

D889,905 S * 7/2020 Barberi D7/395
2015/0114973 A1* 4/2015 Mashburn A47J 45/061
220/573.1

FOREIGN PATENT DOCUMENTS

EM 0024761270001 6/2014
EM 0027534670023 8/2015

* cited by examiner

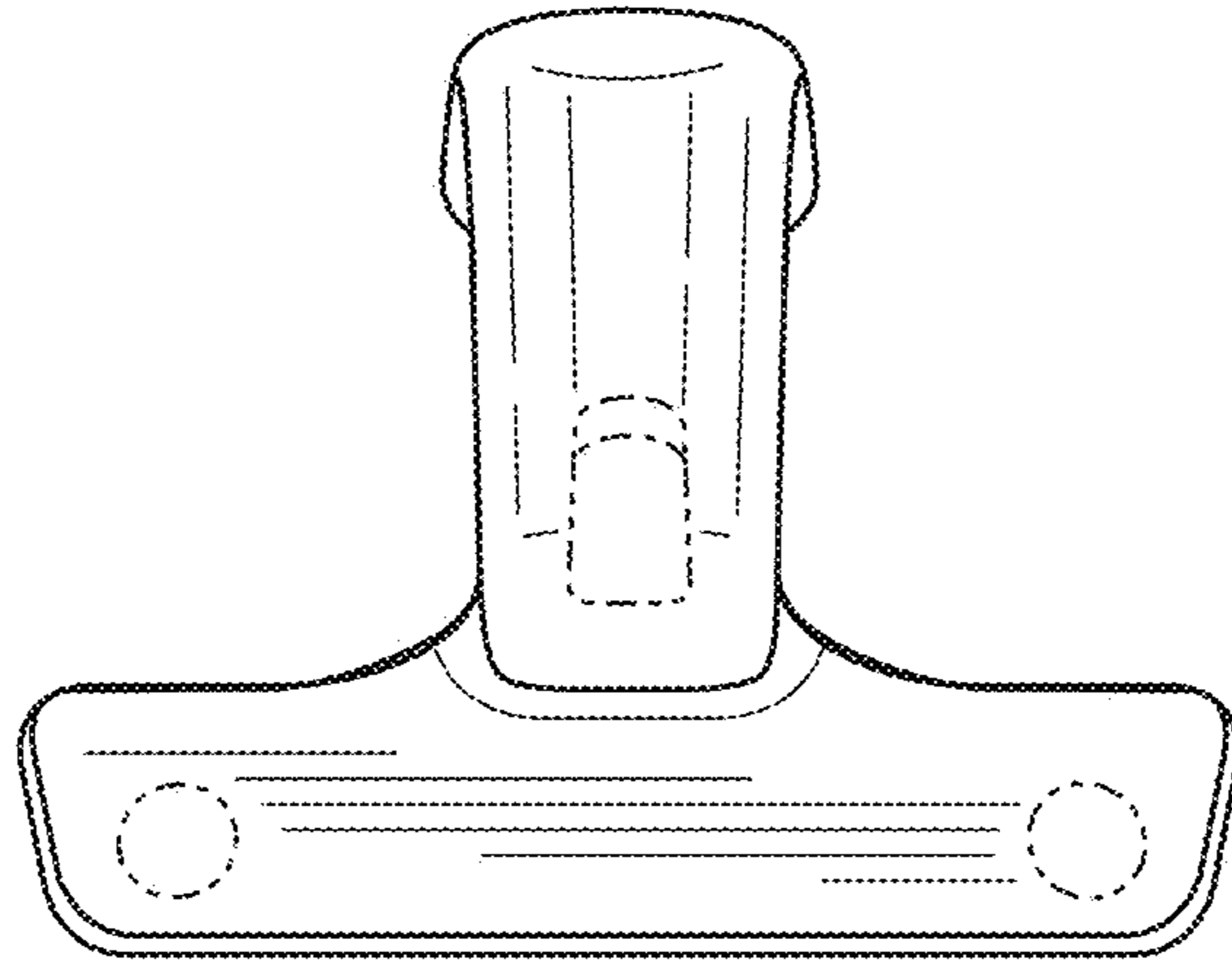


FIG. 1

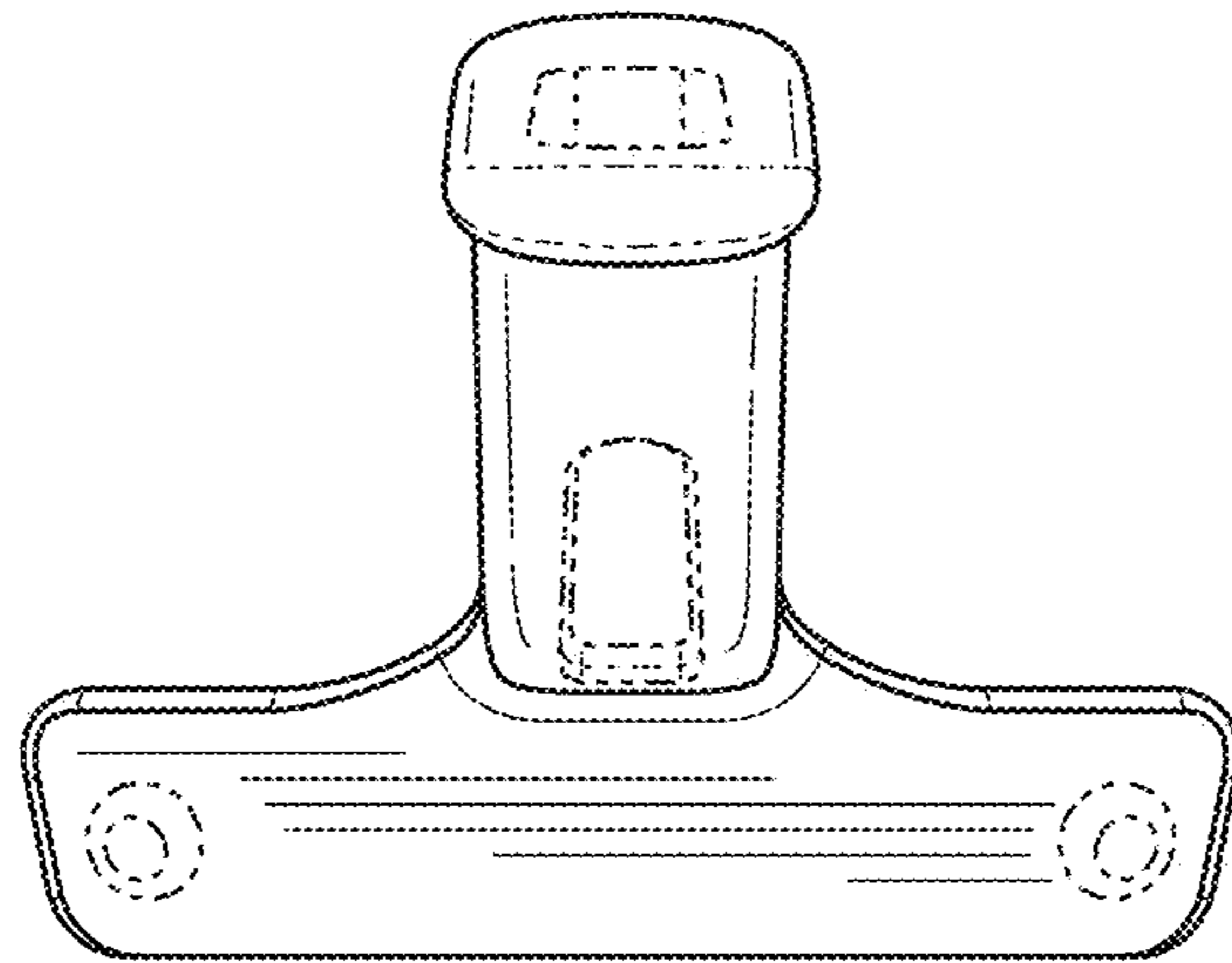


FIG. 2

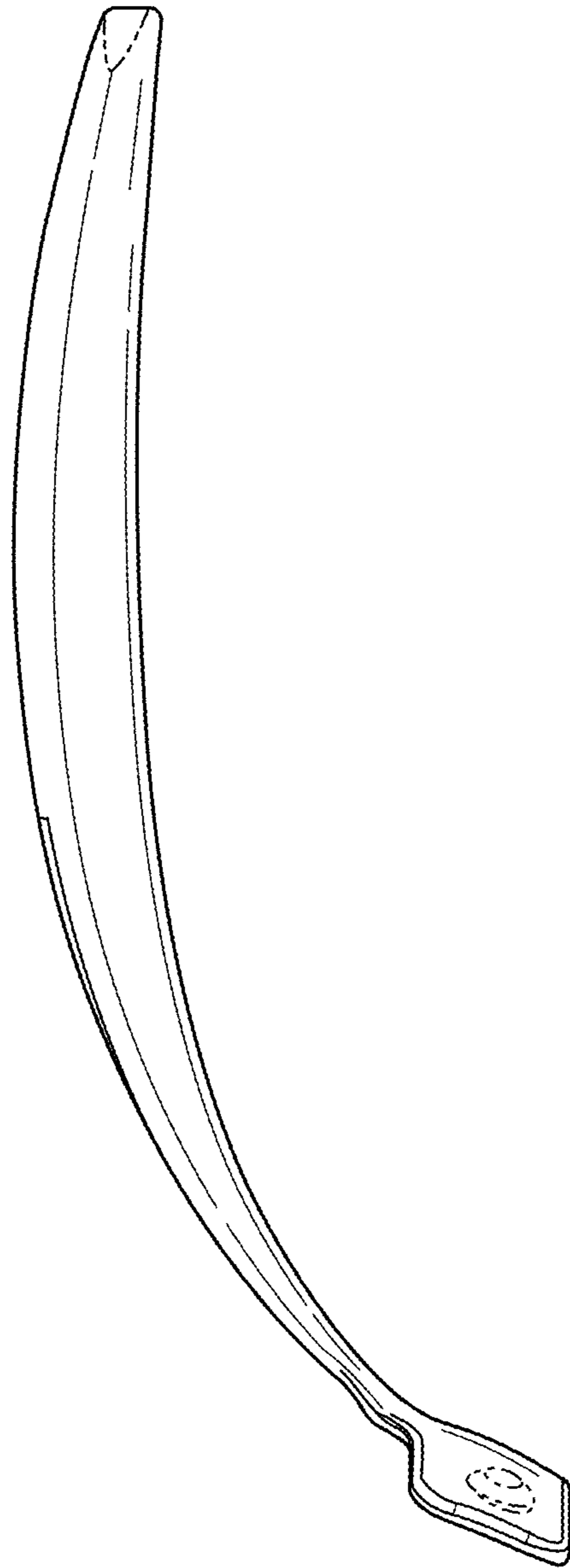


FIG. 3

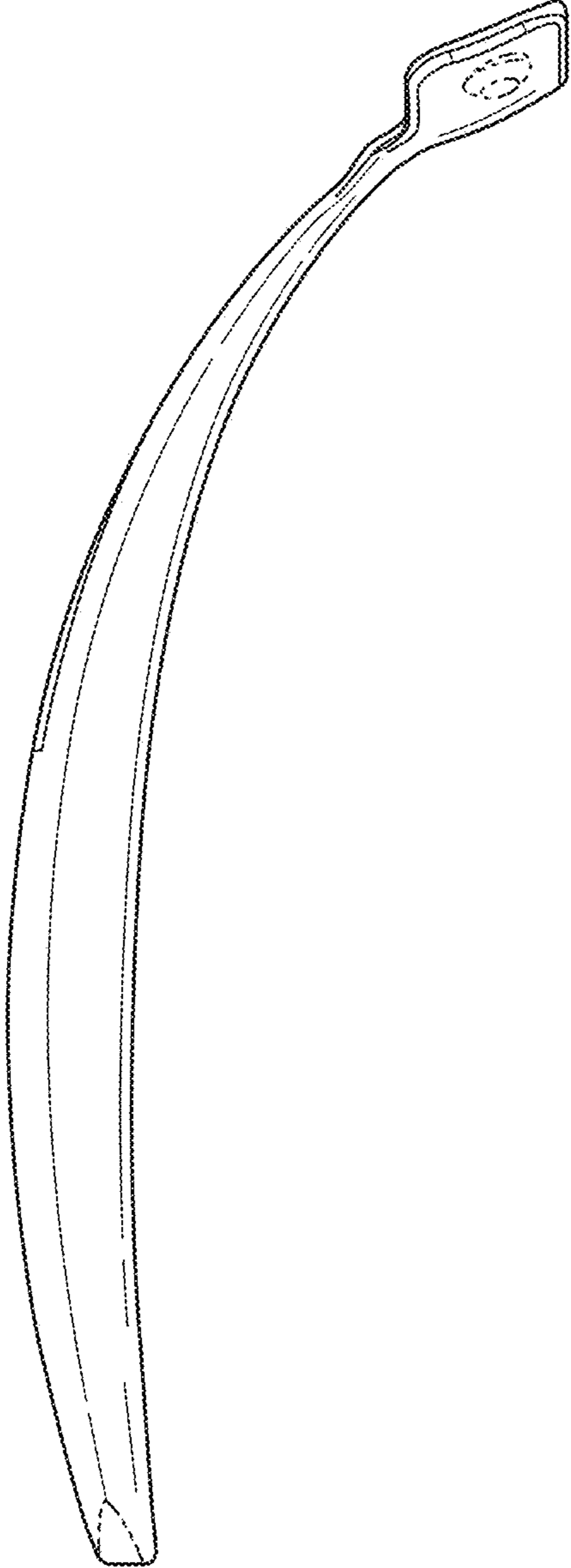


FIG. 4

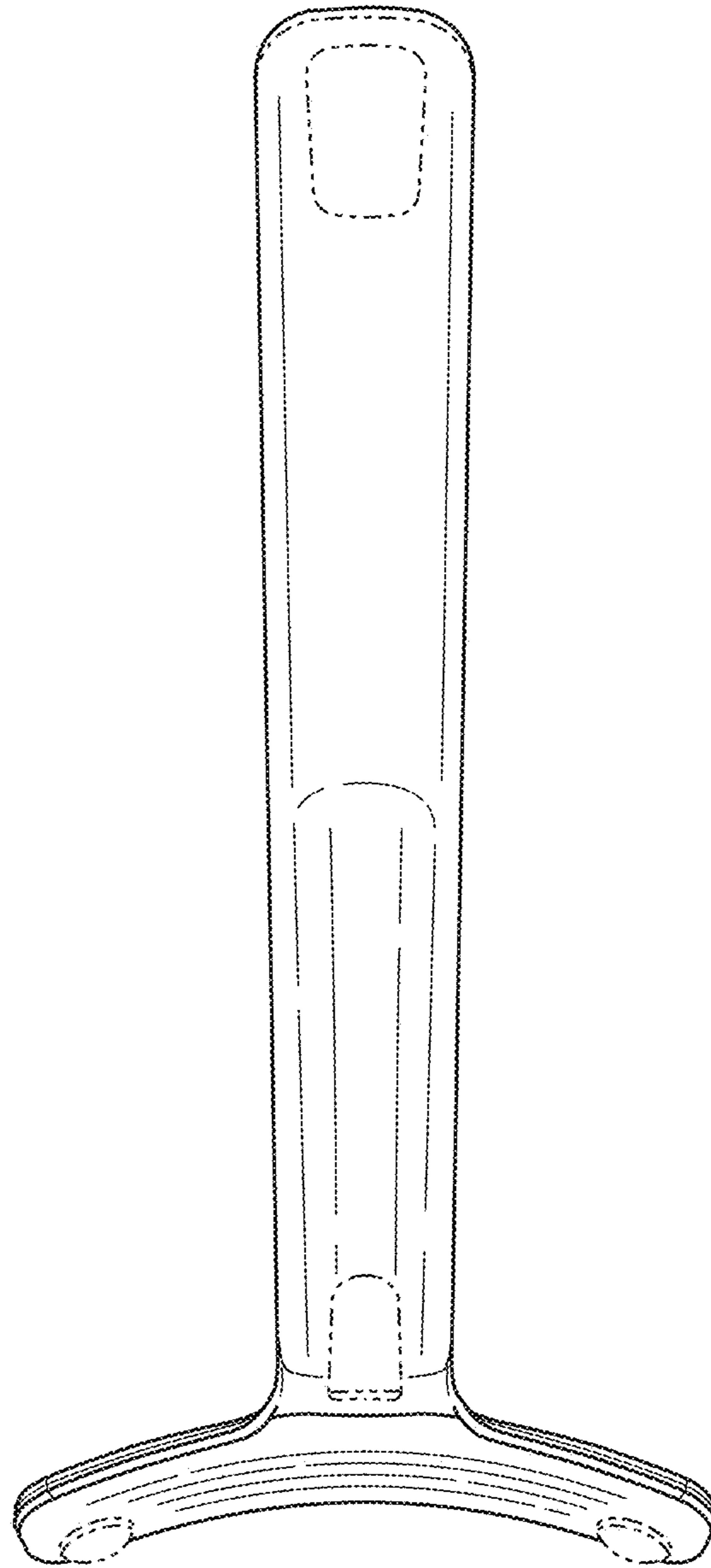


FIG. 5

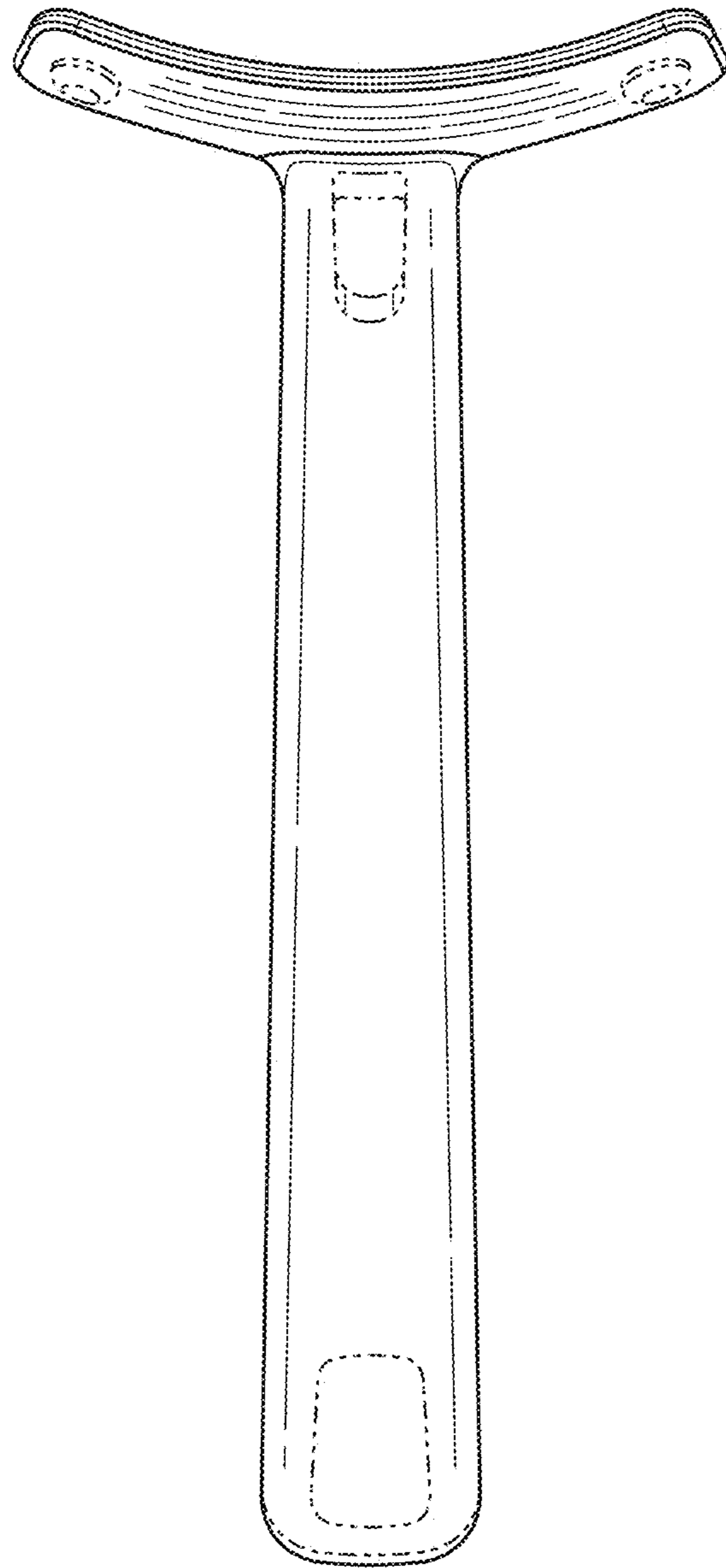


FIG. 6

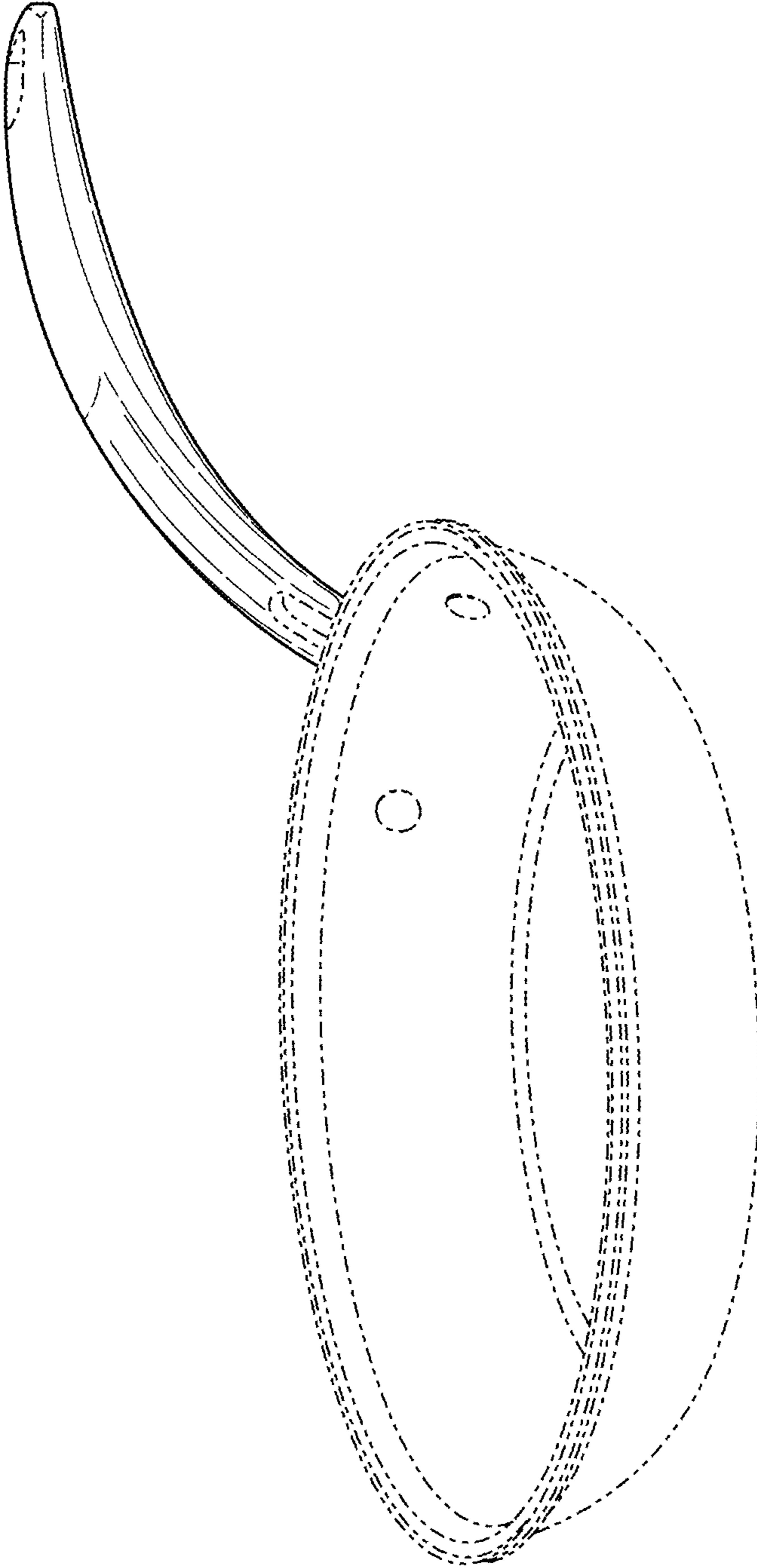


FIG. 7

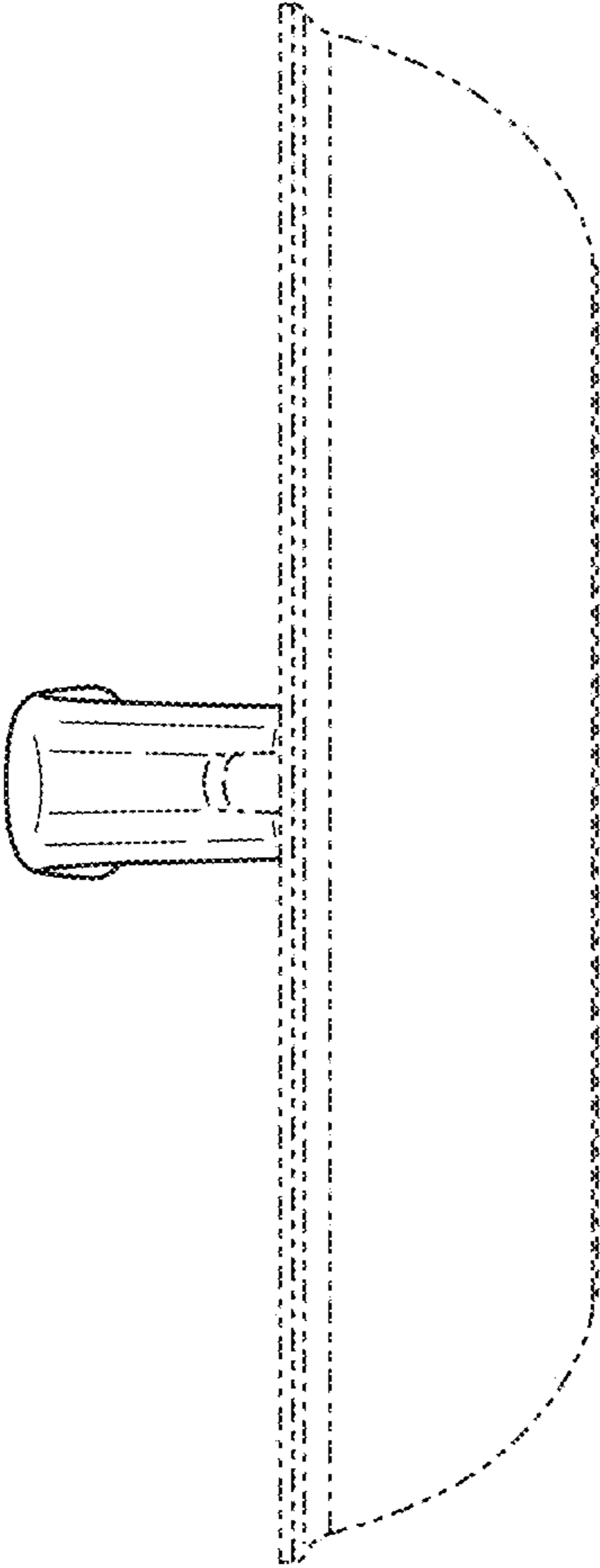


FIG. 8

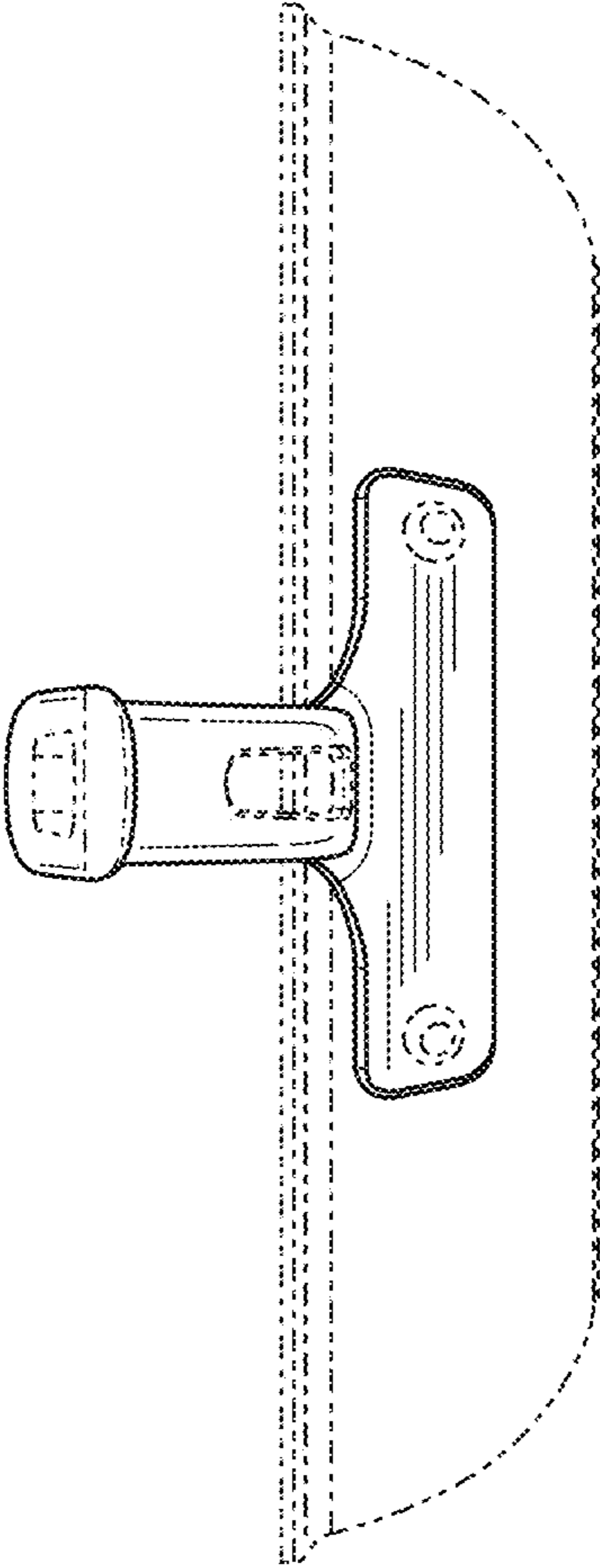


FIG. 9

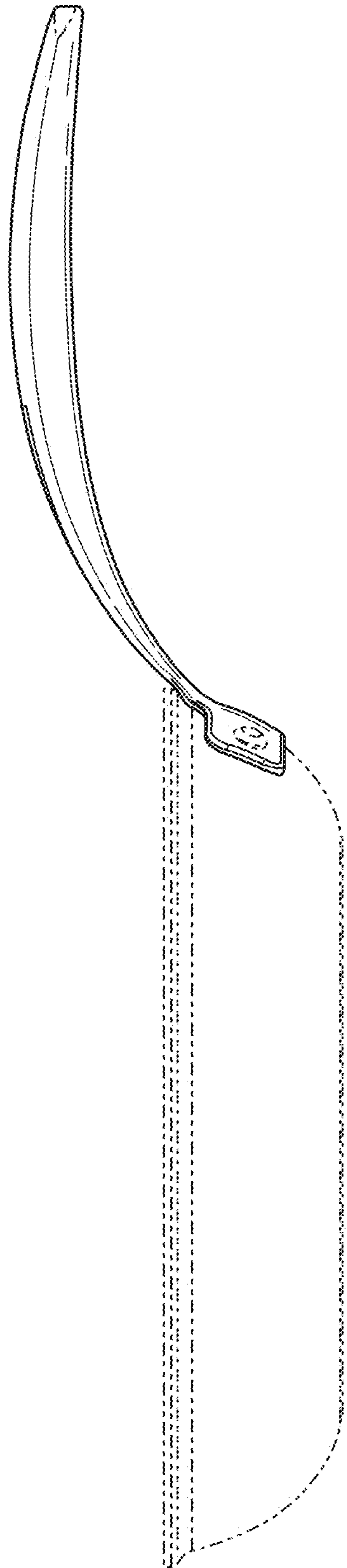


FIG. 10

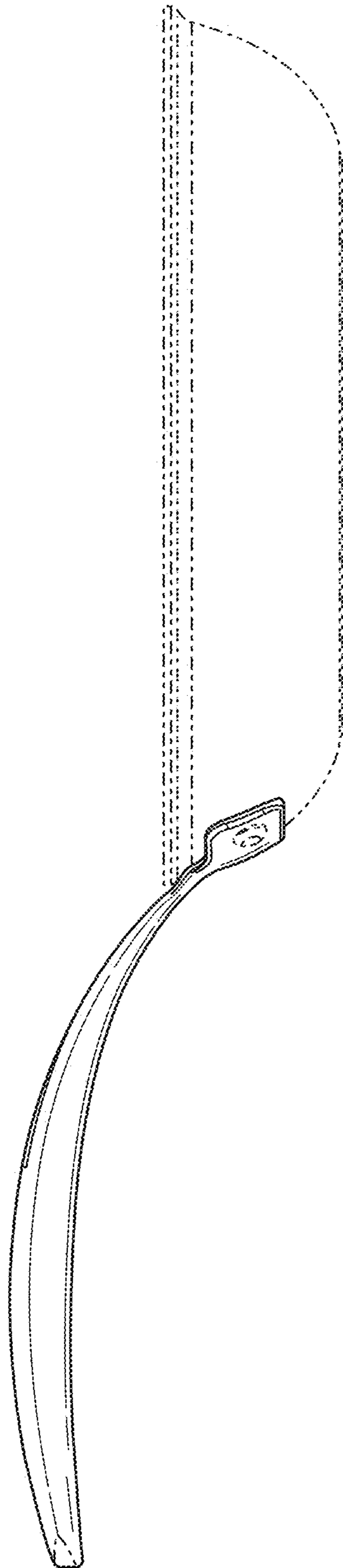


FIG. 11

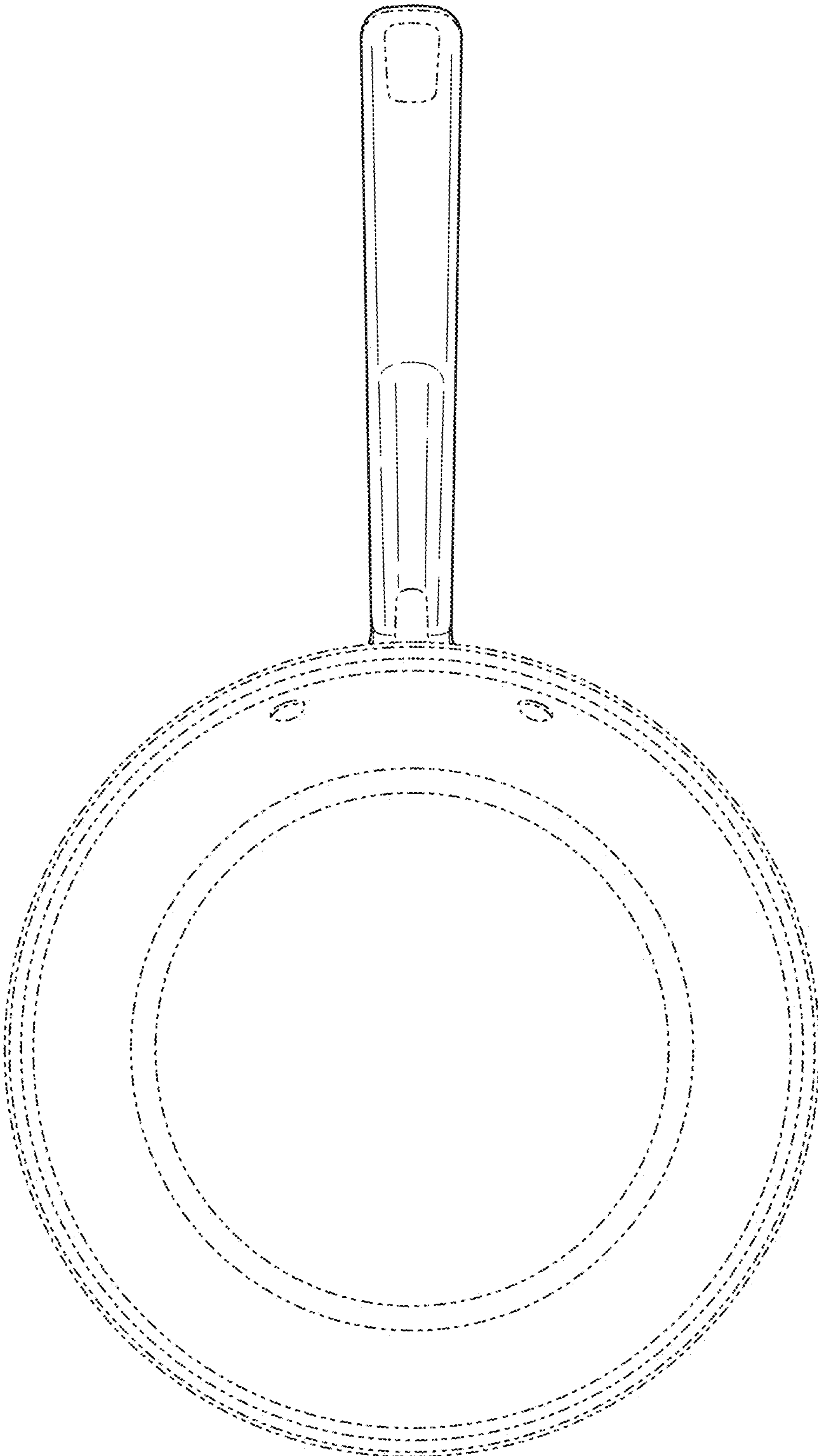


FIG. 12

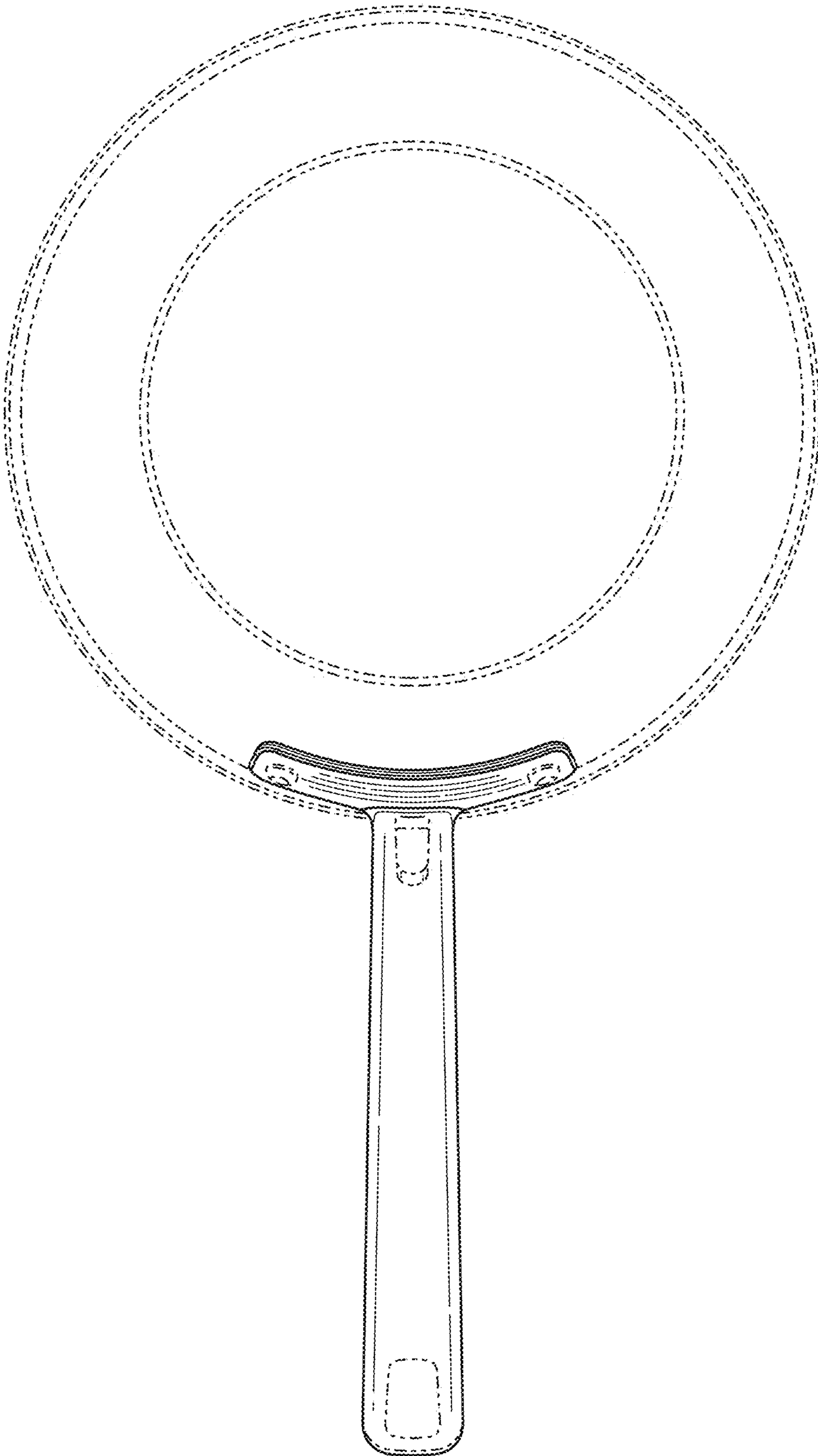


FIG. 13