



US00D907431S

(12) **United States Design Patent**
Friedman

(10) **Patent No.:** **US D907,431 S**

(45) **Date of Patent:** **** *Jan. 12, 2021**

(54) **MIXING CONTAINER LID**

(71) Applicant: **Adam Friedman**, Gainesville, VA (US)

(72) Inventor: **Adam Friedman**, Gainesville, VA (US)

(*) Notice: This patent is subject to a terminal disclaimer.

(**) Term: **15 Years**

(21) Appl. No.: **29/681,546**

(22) Filed: **Feb. 26, 2019**

Related U.S. Application Data

(63) Continuation of application No. 29/534,872, filed on Jul. 31, 2015, now Pat. No. Des. 843,210, which is a (Continued)

(51) **LOC (13) Cl.** **07-99**

(52) **U.S. Cl.**
USPC **D7/392**; D9/436

(58) **Field of Classification Search**

USPC D3/200, 201, 202, 203.1, 203.2, 203.6, D3/901; D7/300, 300.1, 387, 392.1, 396, D7/396.2, 397, 398, 401.1, 509, 510, 511, D7/602, 612-615, 619.1, 900, 5, 10; D9/434, 435, 436, 445, 446, 447, 449, D9/454; D24/112, 119, 121, 127, 136, D24/216, 224; D34/7, 10, 11; D23/206, D23/208, 213, 212, 255, 259, 260
CPC A47J 43/27; A61J 1/1412; B65D 1/02; B65D 1/323; B65D 1/0246; B65D 1/0233; B65D 1/08; B65D 1/10; B65D 25/40; B65D 25/42; B65D 25/44; B65D 25/46; B65D 25/48; B65D 25/77; B65D 41/56; B65D 41/62; B65D 47/06; B65D 47/08; B65D

(Continued)

(56) **References Cited**

U.S. PATENT DOCUMENTS

D26,539 S * 1/1897 Schram D9/447
D234,123 S * 1/1975 Ragugli D7/700

(Continued)

OTHER PUBLICATIONS

REMIX Shaker RMX: Announced Aug. 4, 2017 [online]. Site Visited [Mar. 21, 2019]. Available from Internet URL:https://www.amazon.com/REMIX-Shaker-RMX-28CT-Disposable-Supplement/dp/B073DRD7M7/ref=cm_cr_arp_d_product_top?ie=UTF8.*

Primary Examiner — Jennifer Rivard

Assistant Examiner — Catherine S Posthauer

(74) *Attorney, Agent, or Firm* — Fresh IP PLC; Clifford D. Hyra; Aubrey Y Chen

(57) **CLAIM**

The ornamental design for a mixing container lid, as shown and described.

DESCRIPTION

FIG. 1 is a top, front and right side perspective view of a mixing container lid showing my new design;

FIG. 2 is a bottom, rear and left side perspective view thereof;

FIG. 3 is a top view thereof;

FIG. 4 is a bottom view thereof;

FIG. 5 is a left side view thereof;

FIG. 6 is a right side view thereof

FIG. 7 is a rear view thereof;

FIG. 8 is a front view thereof;

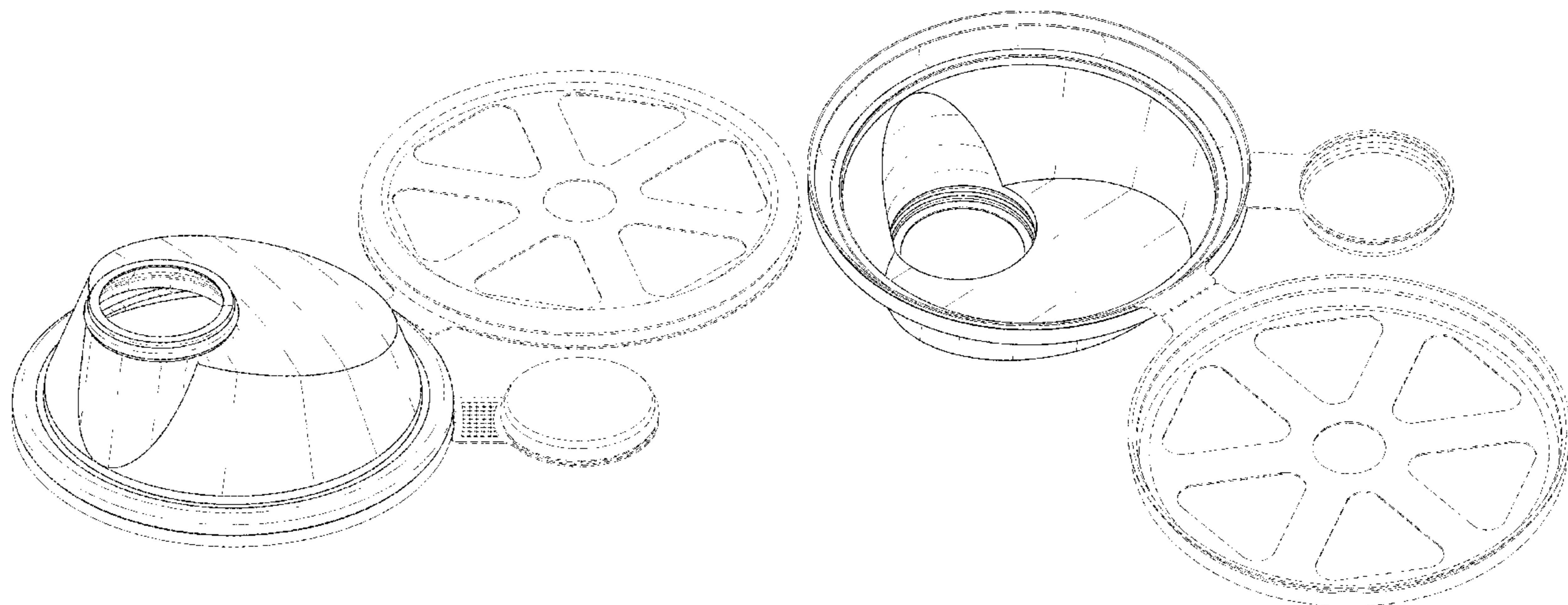
FIG. 9 is an exploded top, rear and right side perspective view thereof, shown in an alternate condition of use with an exemplary container;

FIG. 10 is an assembled top, front and right side perspective view thereof; and,

FIG. 11 is a bottom perspective view thereof, with the exemplary container removed.

The broken lines represent both environmental subject matter of an exemplary container, as well as parts of the mixing container lid, none of which form part of the claim.

1 Claim, 12 Drawing Sheets



Related U.S. Application Data

continuation-in-part of application No. 14/814,448,
filed on Jul. 30, 2015, now Pat. No. 10,334,987.

(58) **Field of Classification Search**

CPC 39/00; B65D 39/0047; B65D 43/00; B65D
43/02; B05B 17/00; A45D 2040/0006;
A45D 2040/093

See application file for complete search history.

(56) **References Cited**

U.S. PATENT DOCUMENTS

D241,125 S * 8/1976 Knapp D9/447
D244,260 S * 5/1977 Walker D9/446
D247,848 S * 5/1978 Croyle D9/447
4,503,992 A * 3/1985 Sitko B65D 47/06
220/713
D278,413 S * 4/1985 Woodcock D9/446
D326,819 S * 6/1992 Border D32/54

D346,718 S * 5/1994 Timmermans D7/391
D360,579 S * 7/1995 Accarias D9/447
D398,233 S * 9/1998 Wood D9/447
D420,287 S * 2/2000 Coppola D9/447
D425,362 S * 5/2000 Meyers D7/392
D427,852 S * 7/2000 Tal D7/509
D438,758 S * 3/2001 Tal D7/510
D475,925 S * 6/2003 Sturk D9/435
D532,650 S * 11/2006 de Groote D7/392
D763,079 S * 8/2016 Sturk D9/447
9,834,343 B2 * 12/2017 Beltrami B65D 47/06
D813,593 S * 3/2018 Cornu D7/392
D824,762 S * 8/2018 Huang D9/447
D831,414 S * 10/2018 Diener D7/392
D843,210 S * 3/2019 Friedman D9/436
2016/0029847 A1 * 2/2016 Friedman A47J 43/27
366/130
2016/0039580 A1 * 2/2016 Roese B65D 41/58
215/233
2019/0075973 A1 * 3/2019 Charleson A47J 43/27

* cited by examiner

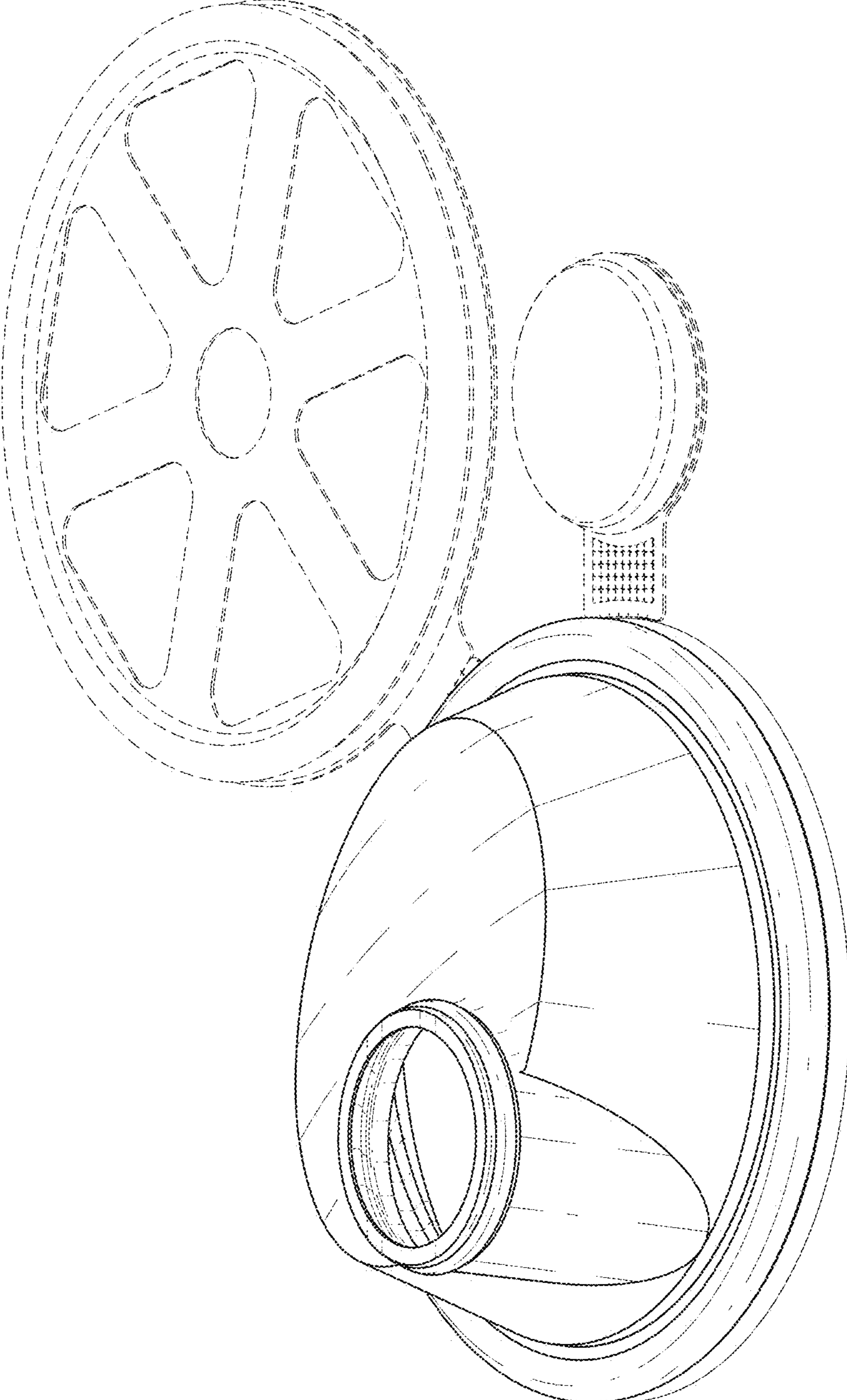


FIG. 1

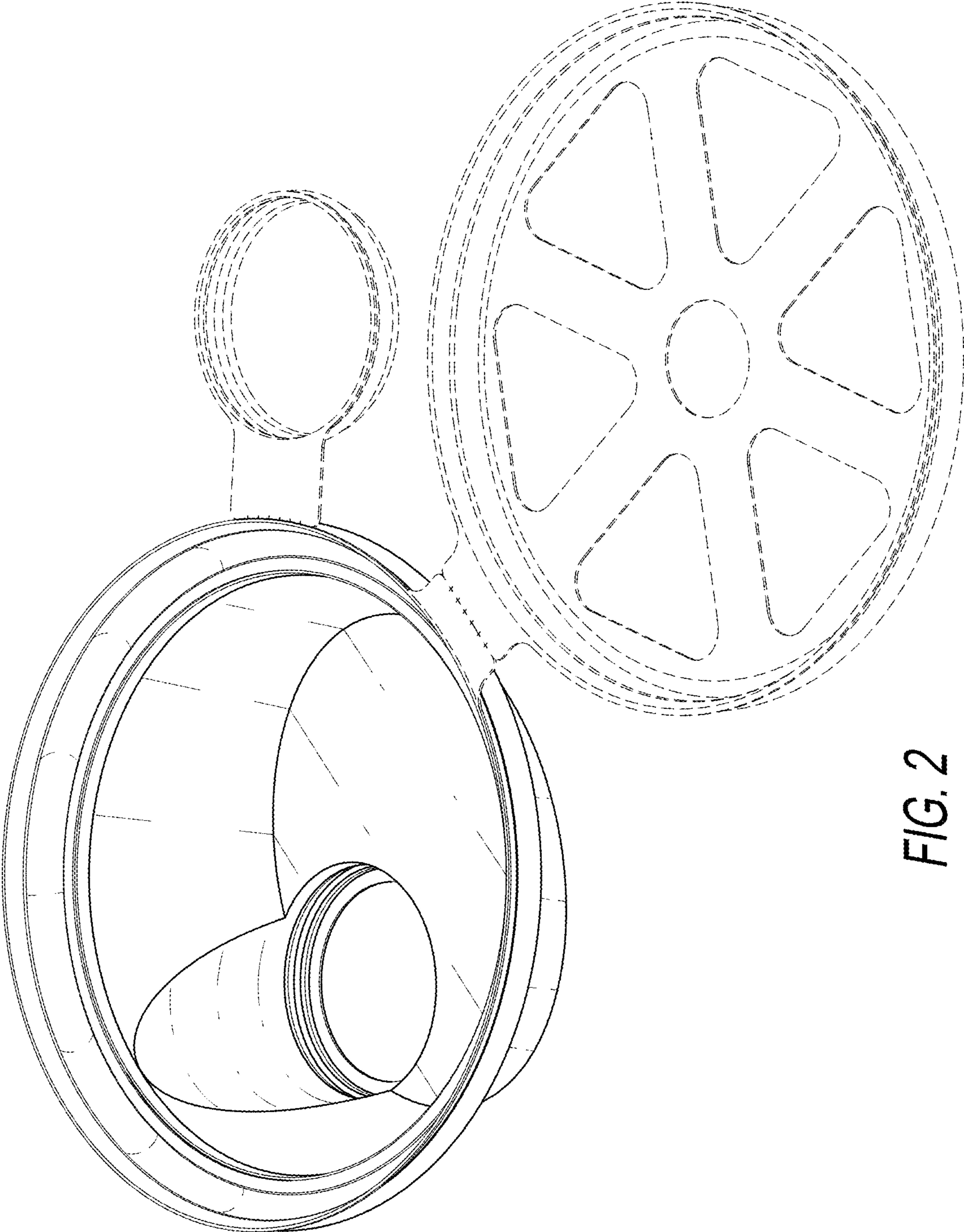


FIG. 2

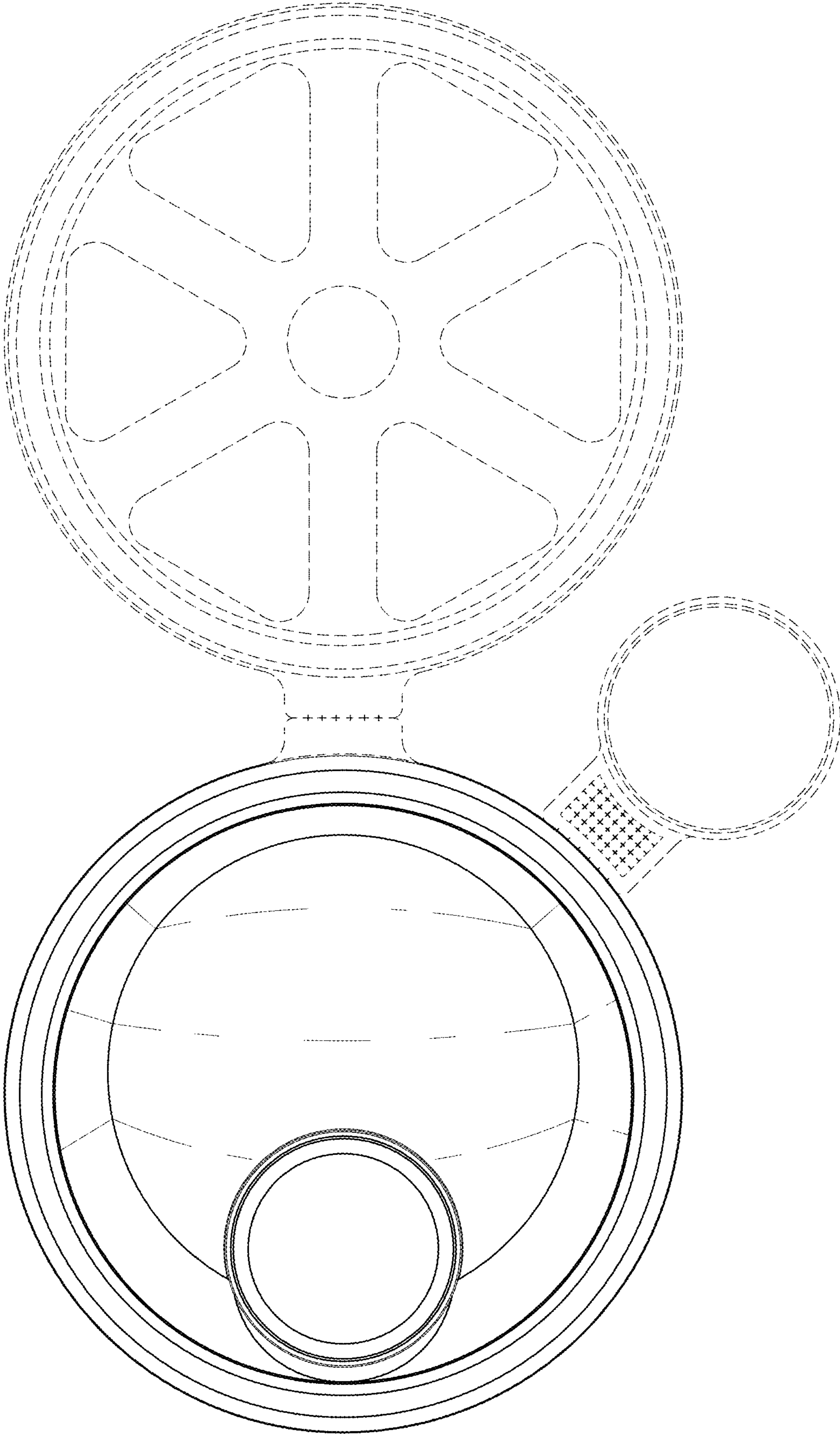


FIG. 3

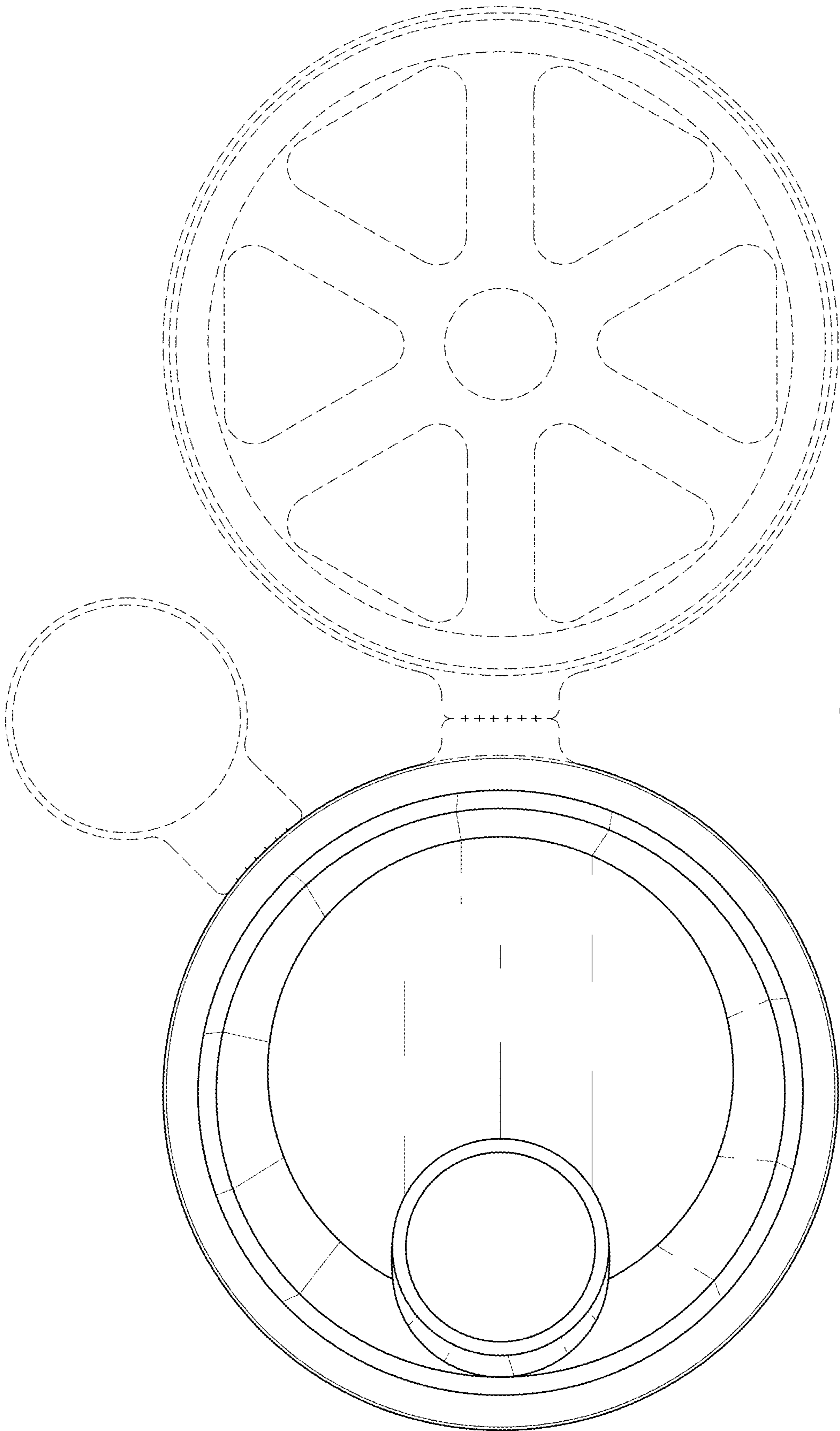


FIG. 4

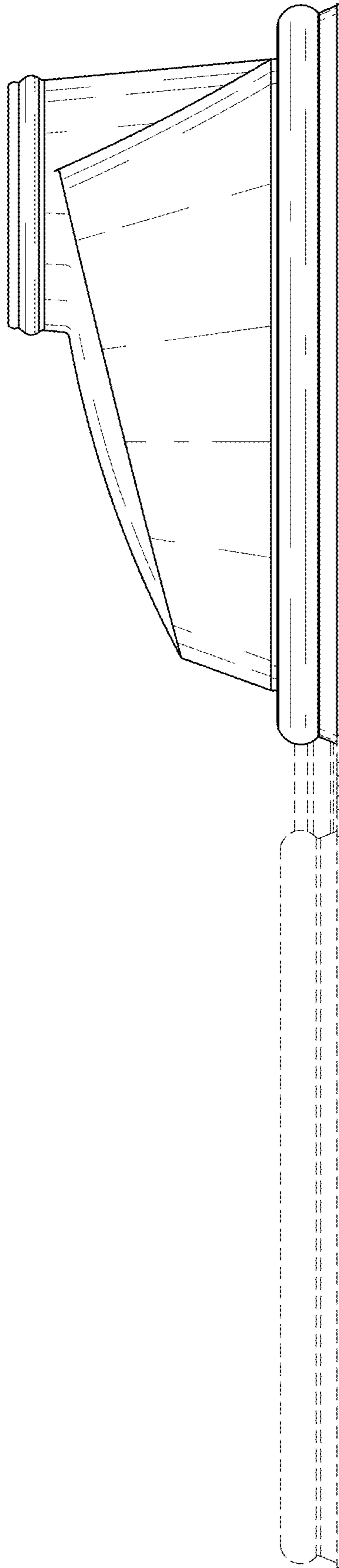


FIG. 5

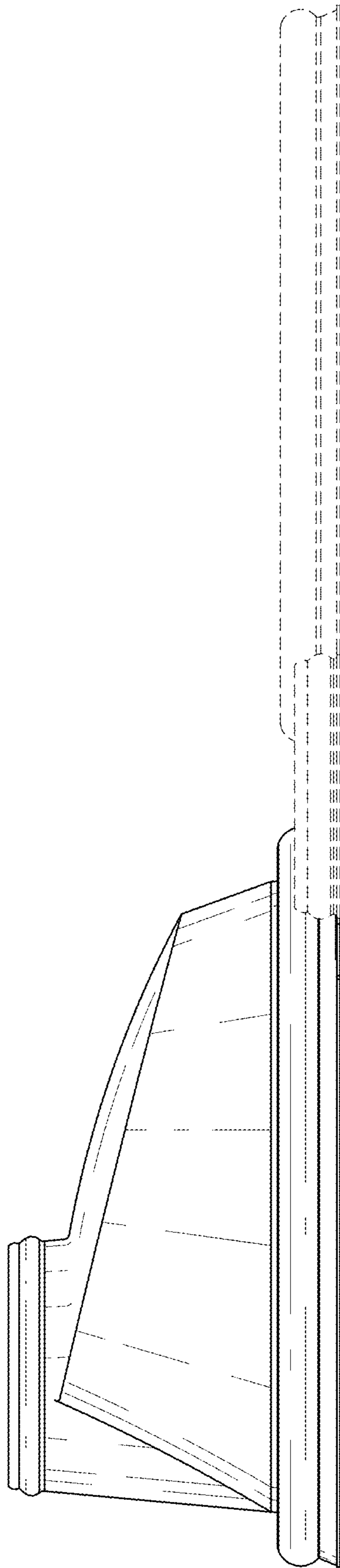


FIG. 6

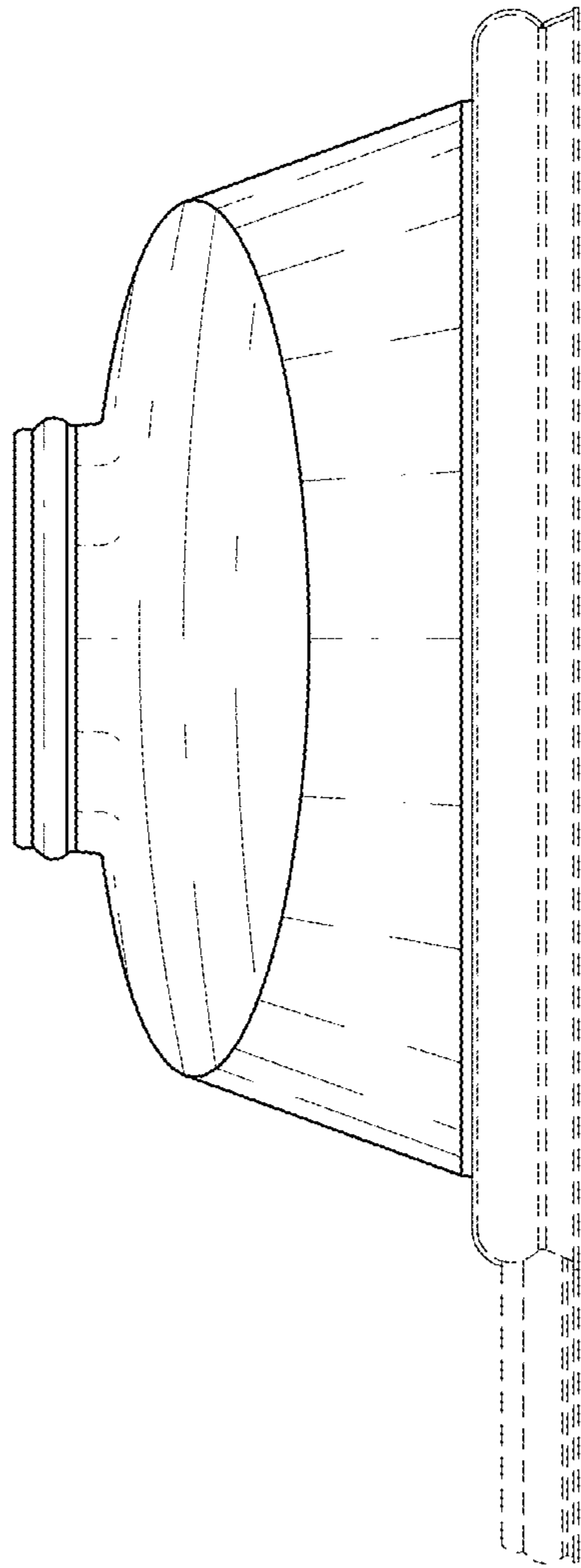


FIG. 7

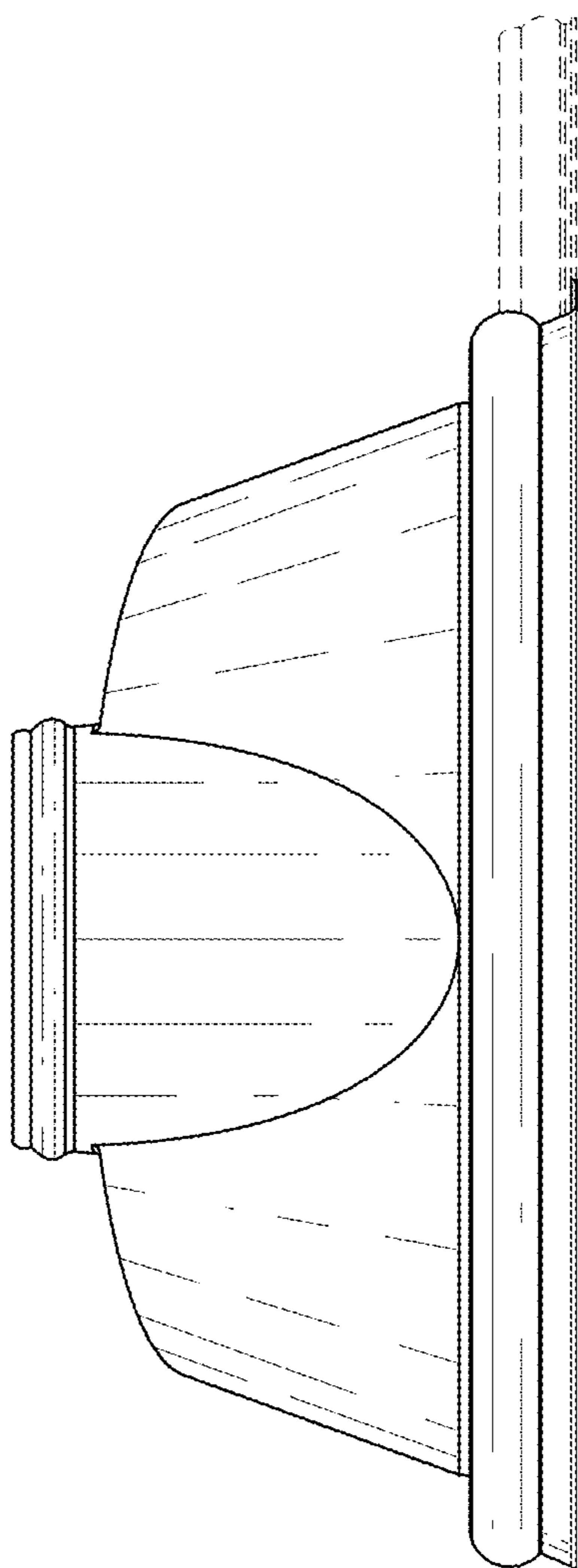


FIG. 8

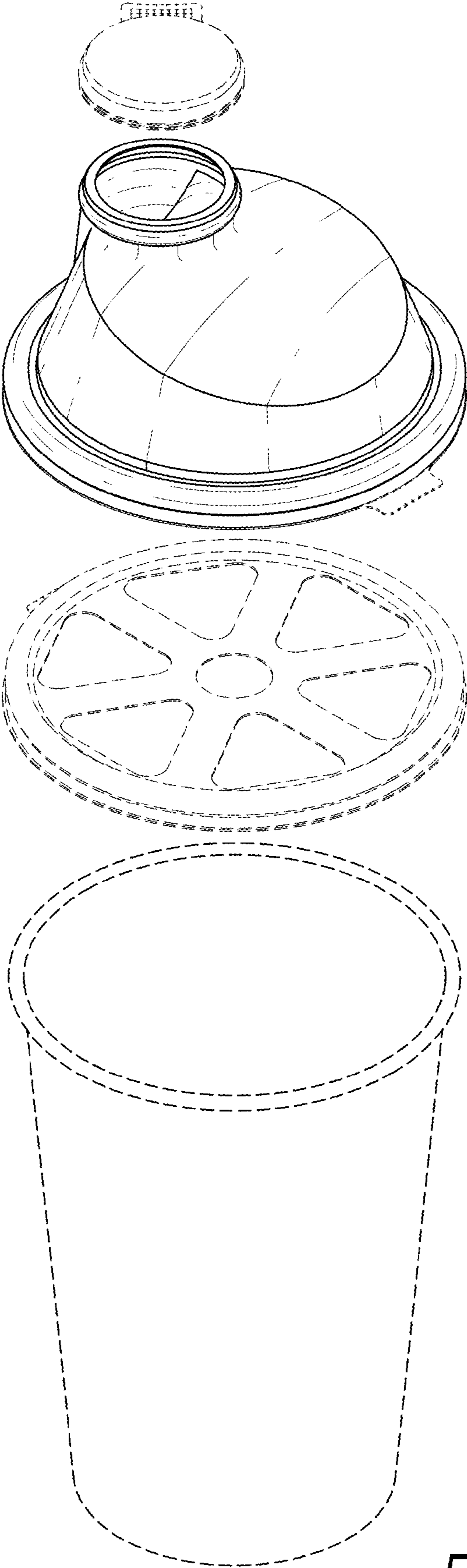


FIG. 9

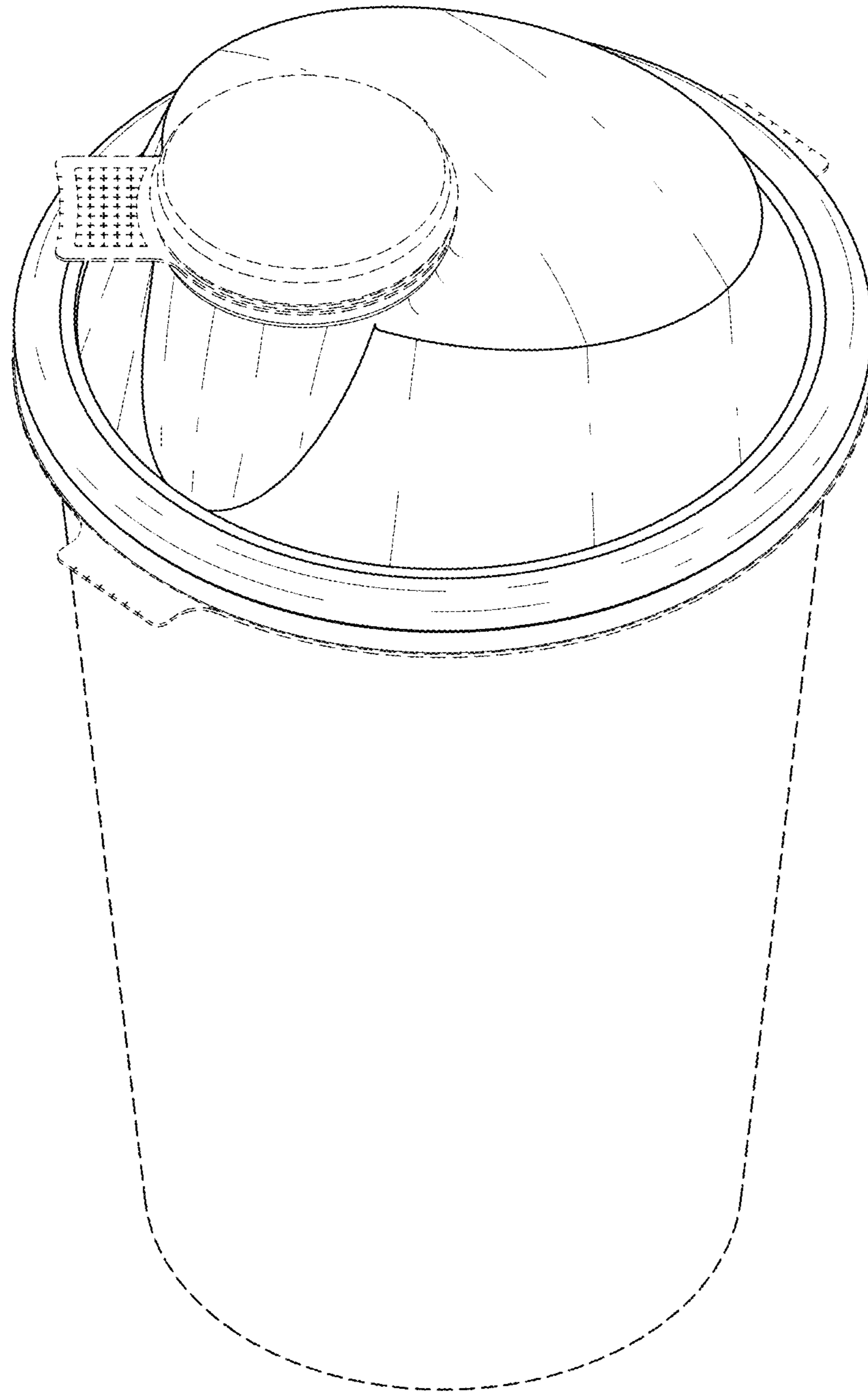


FIG. 10

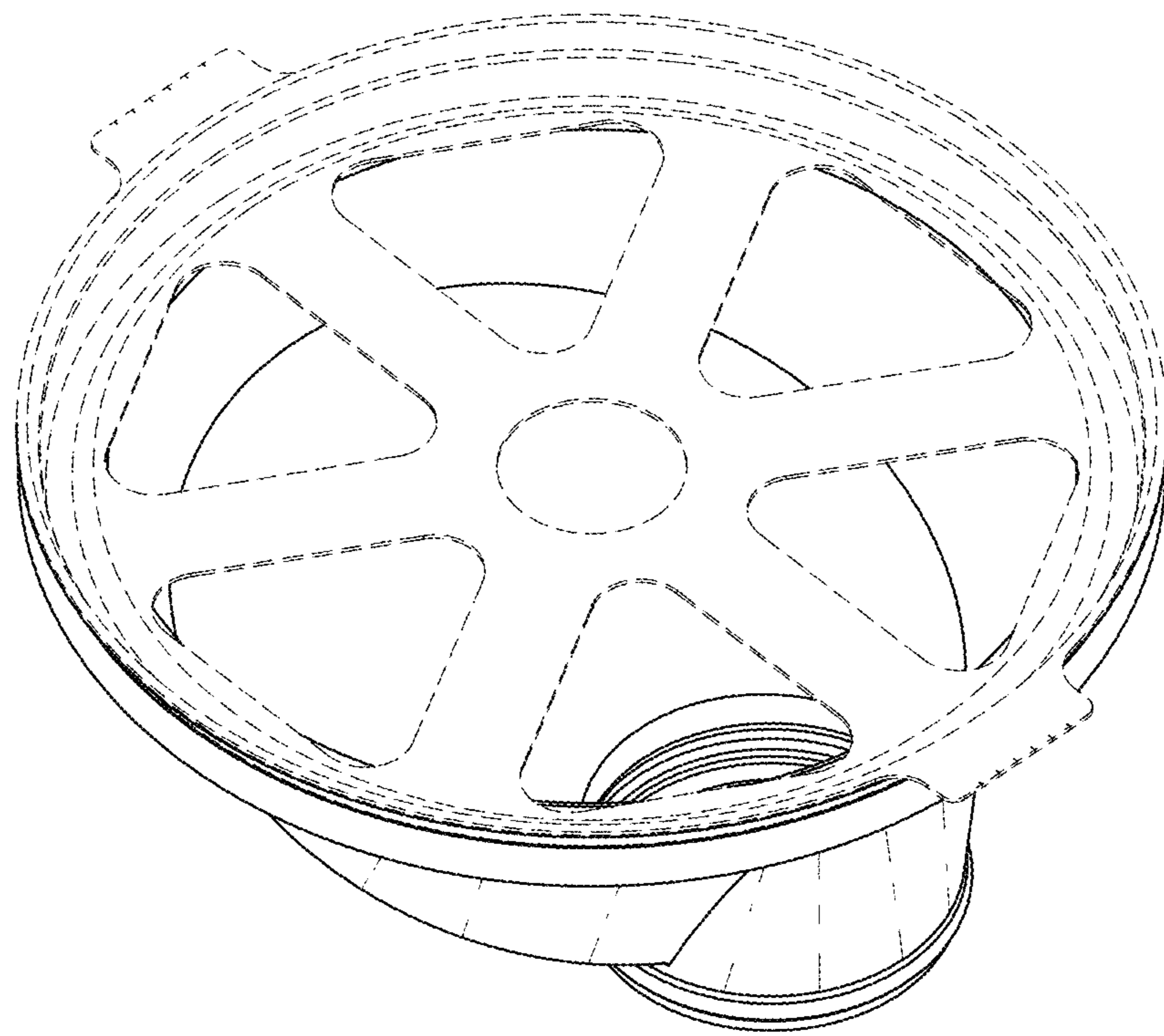


FIG. 11

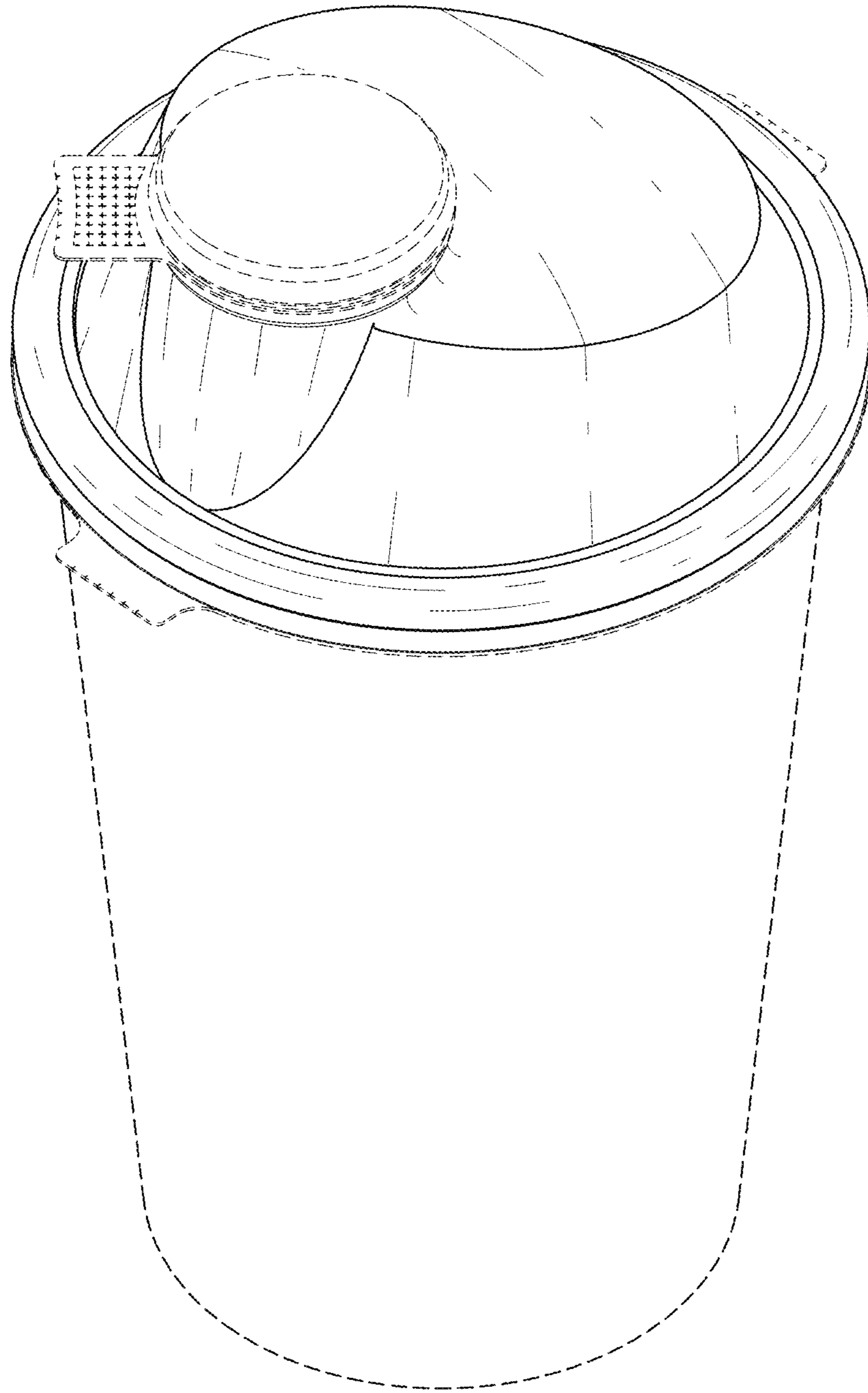


FIG. 12