



US00D907430S

(12) **United States Design Patent**
Pentelovitch et al.

(10) **Patent No.:** **US D907,430 S**
(45) **Date of Patent:** **** Jan. 12, 2021**

- (54) **LID**
- (71) Applicant: **Helen of Troy Limited**, St. Michael (BB)
- (72) Inventors: **Noah Ziman Pentelovitch**, New York, NY (US); **Makiko Kida**, Chiba (JP); **Nobuyuki Ogasawara**, Chiba (JP); **Tamotsu Matsumoto**, Chiba (JP); **Taiki Nosaka**, Chiba (JP)
- (73) Assignee: **Helen of Troy Limited**, St. Michael (BB)
- (**) Term: **15 Years**
- (21) Appl. No.: **29/698,644**
- (22) Filed: **Jul. 18, 2019**
- (51) **LOC (13) Cl.** **07-02**
- (52) **U.S. Cl.**
USPC **D7/391**
- (58) **Field of Classification Search**
USPC D7/391, 392, 392.1, 393, 397, 601-602, D7/615, 629-630, 538-542; D9/414, D9/424-432, 435, 451-452; D23/385
CPC A47J 36/027; A47J 36/06; A47J 37/10; A47J 37/101; B65D 21/0209; B65D 21/0219; B65D 43/00; B65D 43/02; B65D 43/0206; B65D 43/022; B65D 43/161; B65D 43/162; B65D 45/00; B65D 45/16; B65D 45/18; B65D 45/20; B65D 51/16; B65D 51/1683; B65D 51/1688; B65D 51/1694; B65D 2251/00; B65F 1/1615
See application file for complete search history.

D610,412 S *	2/2010	Matsumoto	D7/629
D655,582 S	3/2012	Matsumoto		
D754,836 S *	4/2016	Park	D23/385
D817,701 S *	5/2018	Ho	D7/391
D839,664 S *	2/2019	Pentelovitch	D7/391
D850,187 S *	6/2019	Pentelovitch	D7/391
D854,879 S *	7/2019	Pentelovitch	D7/391
D876,178 S *	2/2020	Pentelovitch	D7/629
D877,574 S *	3/2020	Pentelovitch	D7/629
D878,165 S *	3/2020	Pentelovitch	D7/629

OTHER PUBLICATIONS

<https://www.oxo.com/categories/cooking-and-baking/food-containers/pop-containers/3-piece-pop-round-canister-set-white.html> (publicly available prior to Jul. 18, 2019).

* cited by examiner

Primary Examiner — Ricky Pham

(74) *Attorney, Agent, or Firm* — Rankin, Hill & Clark LLP

(57) **CLAIM**

The ornamental design for a lid, as shown and described.

DESCRIPTION

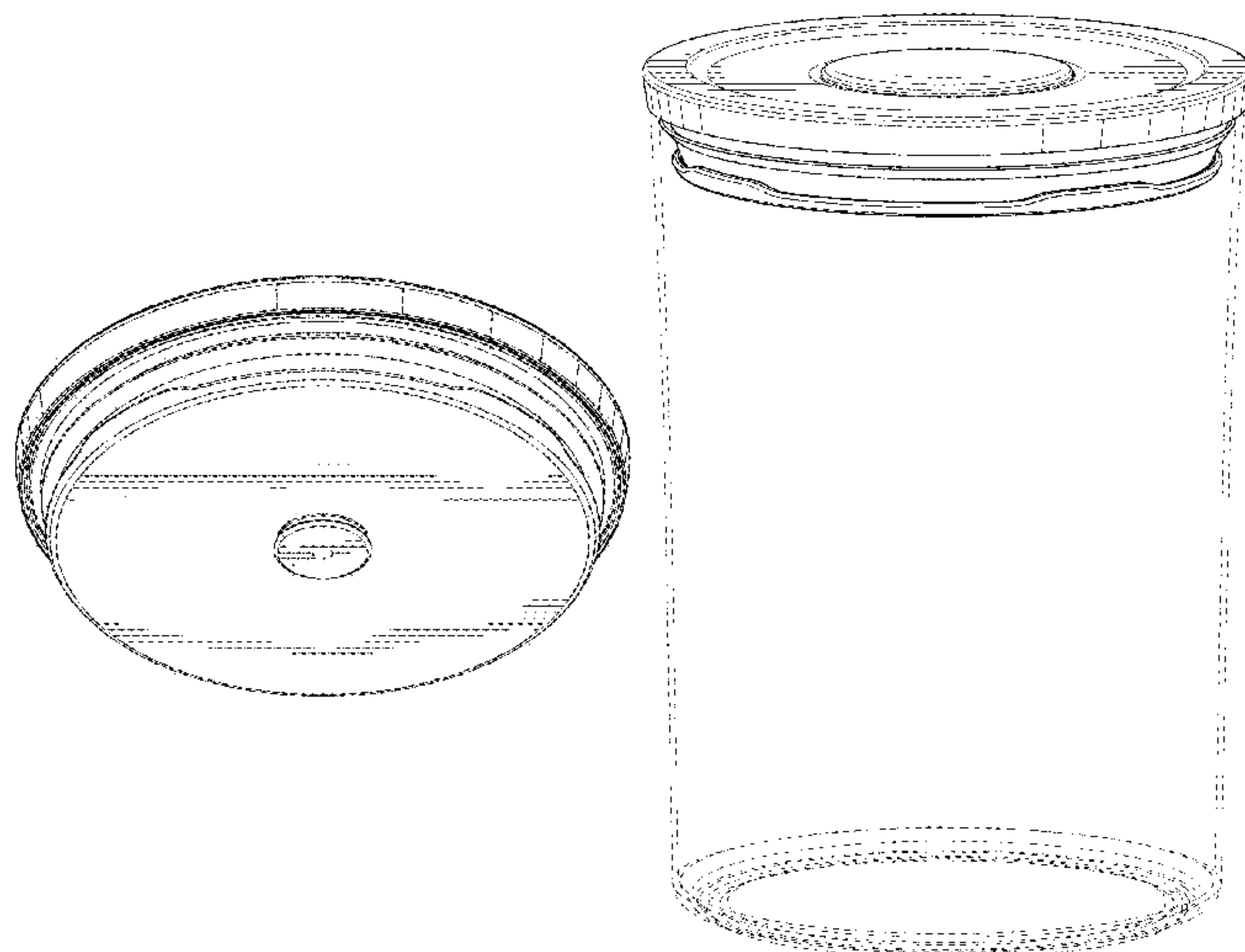
FIG. 1 is a top perspective view of a lid with a button in an extended position;
 FIG. 2 is a top perspective view thereof with the button in a depressed position;
 FIG. 3 is a bottom perspective view thereof;
 FIG. 4 is a side elevation view thereof with the button in the extended position;
 FIG. 5 is a side elevation view thereof with the button in the depressed position;
 FIG. 6 is a top plan view thereof;
 FIG. 7 is a bottom plan view thereof; and,
 FIG. 8 is another top perspective view thereof with the button in the depressed position.
 The broken lines in the drawings depict portions that form no part of the claimed design.

1 Claim, 8 Drawing Sheets

(56) **References Cited**

U.S. PATENT DOCUMENTS

D396,172 S *	7/1998	Nask	D7/615
D403,582 S *	1/1999	Nask	D9/435
5,896,993 A *	4/1999	Nask	B65D 21/0219 206/508
D566,483 S *	4/2008	Tucker	D7/542



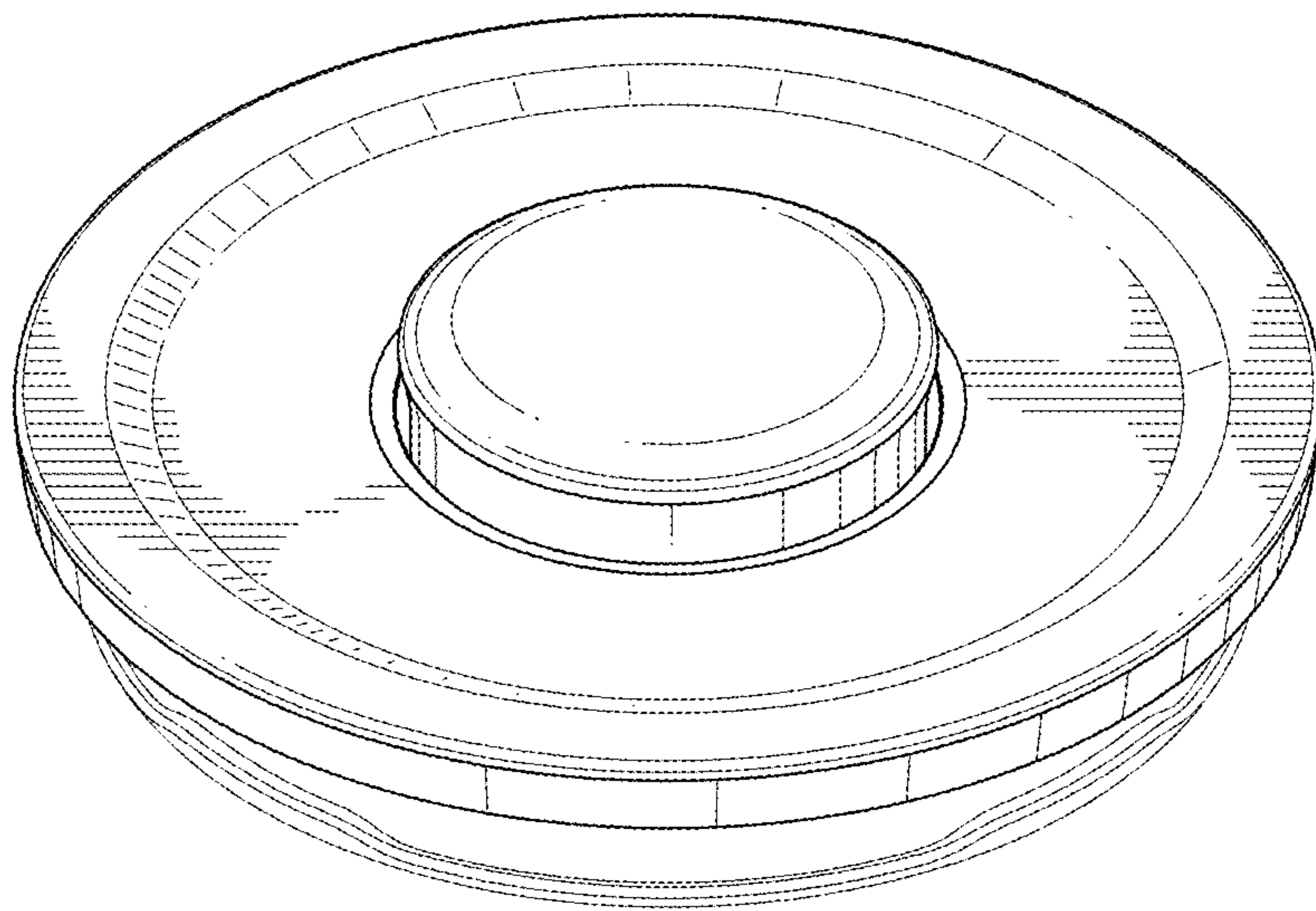


FIG. 1

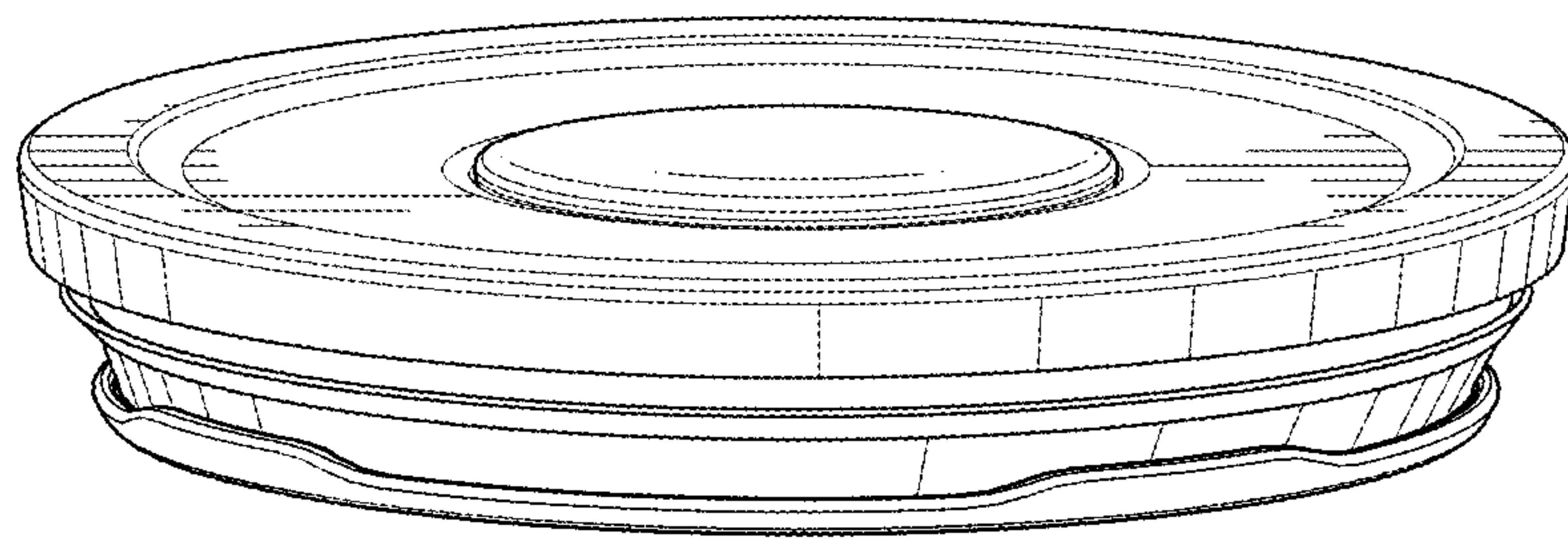


FIG. 2

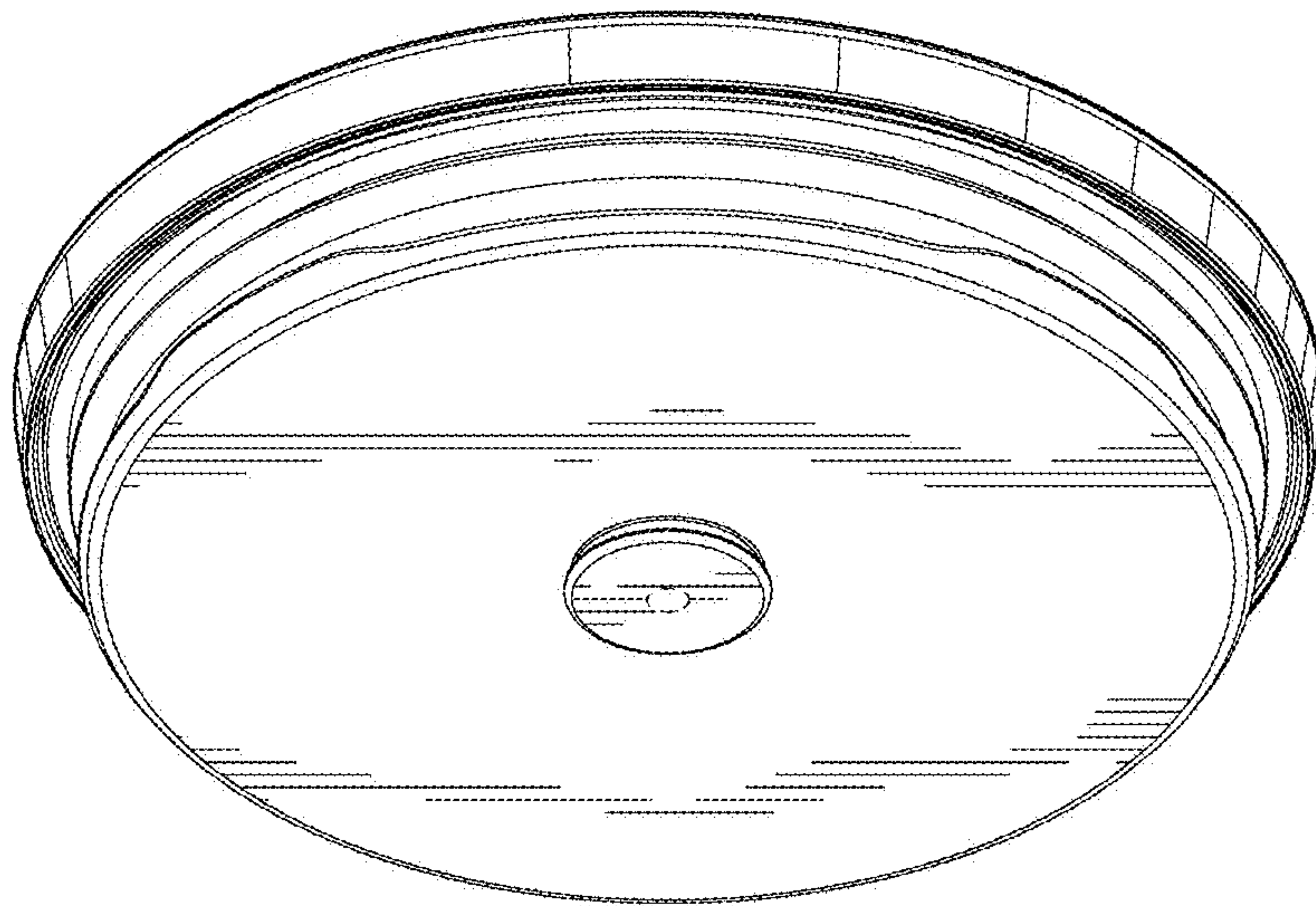


FIG. 3

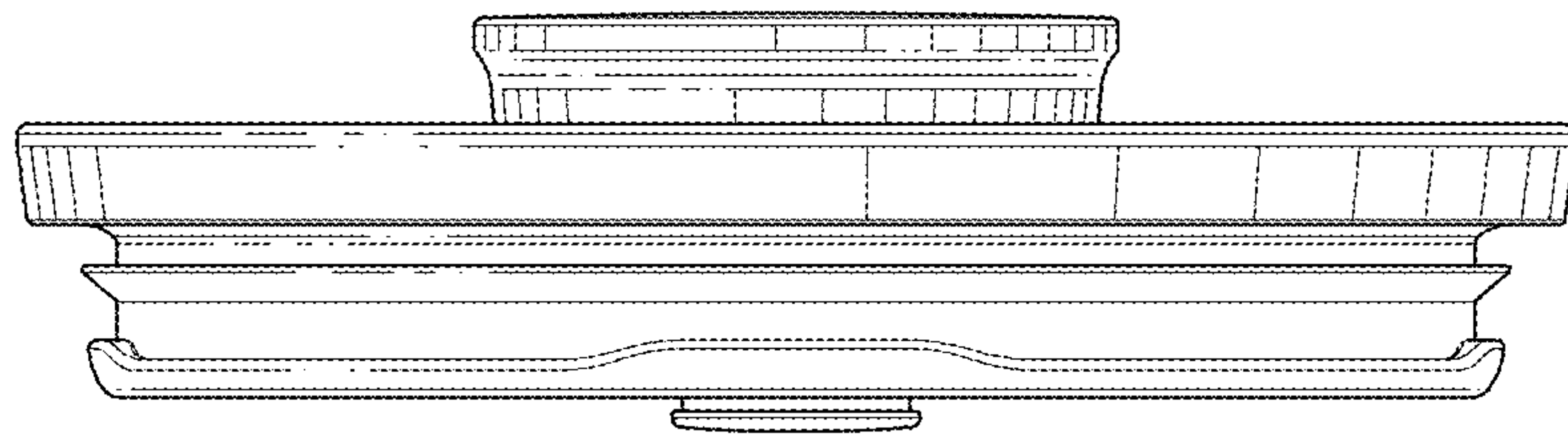


FIG.4

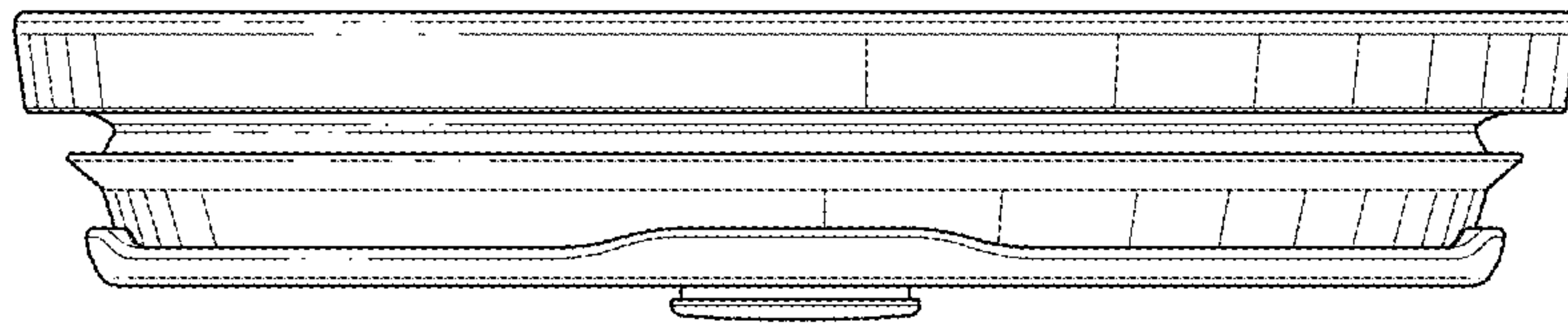


FIG. 5

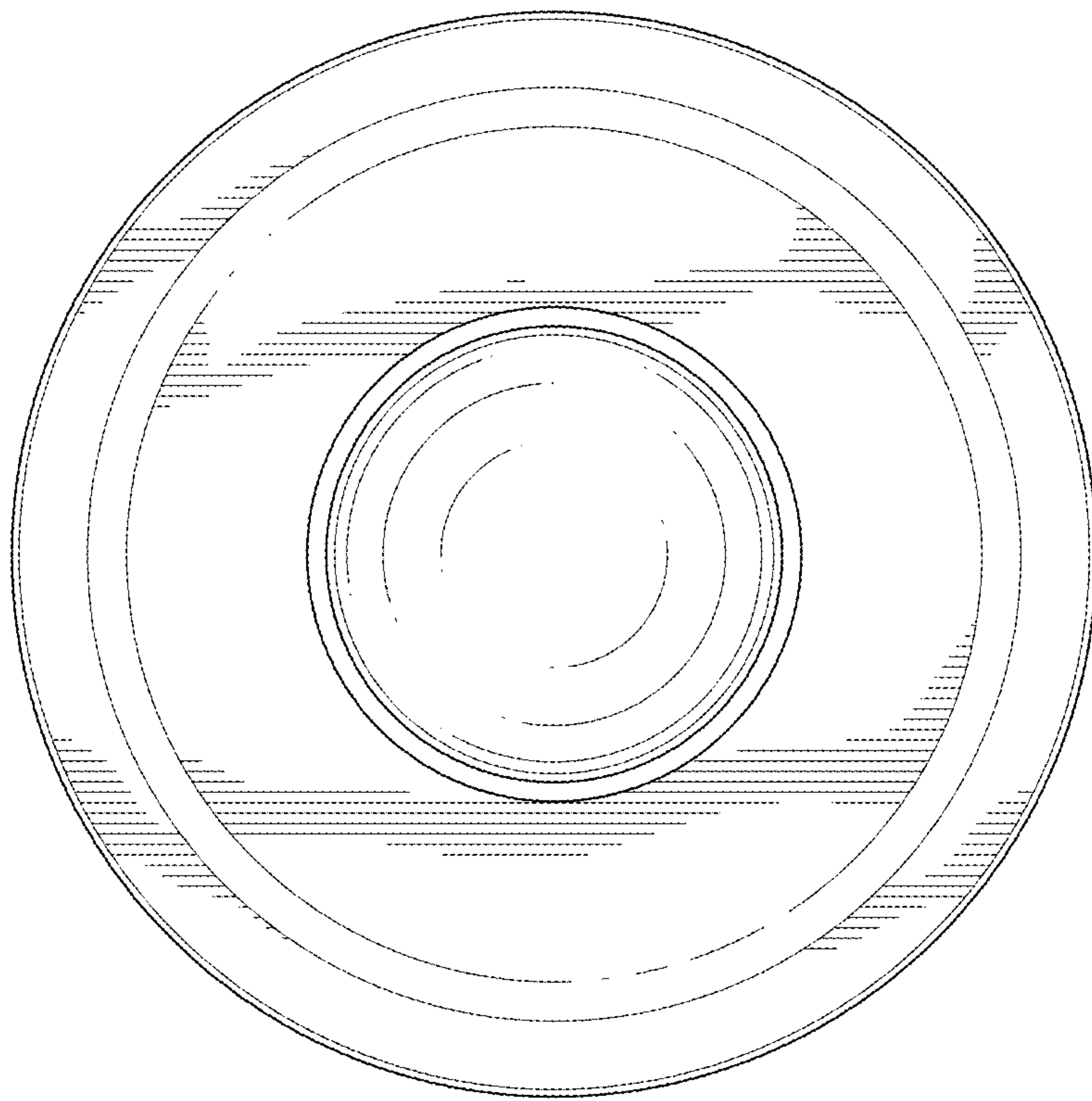


FIG. 6

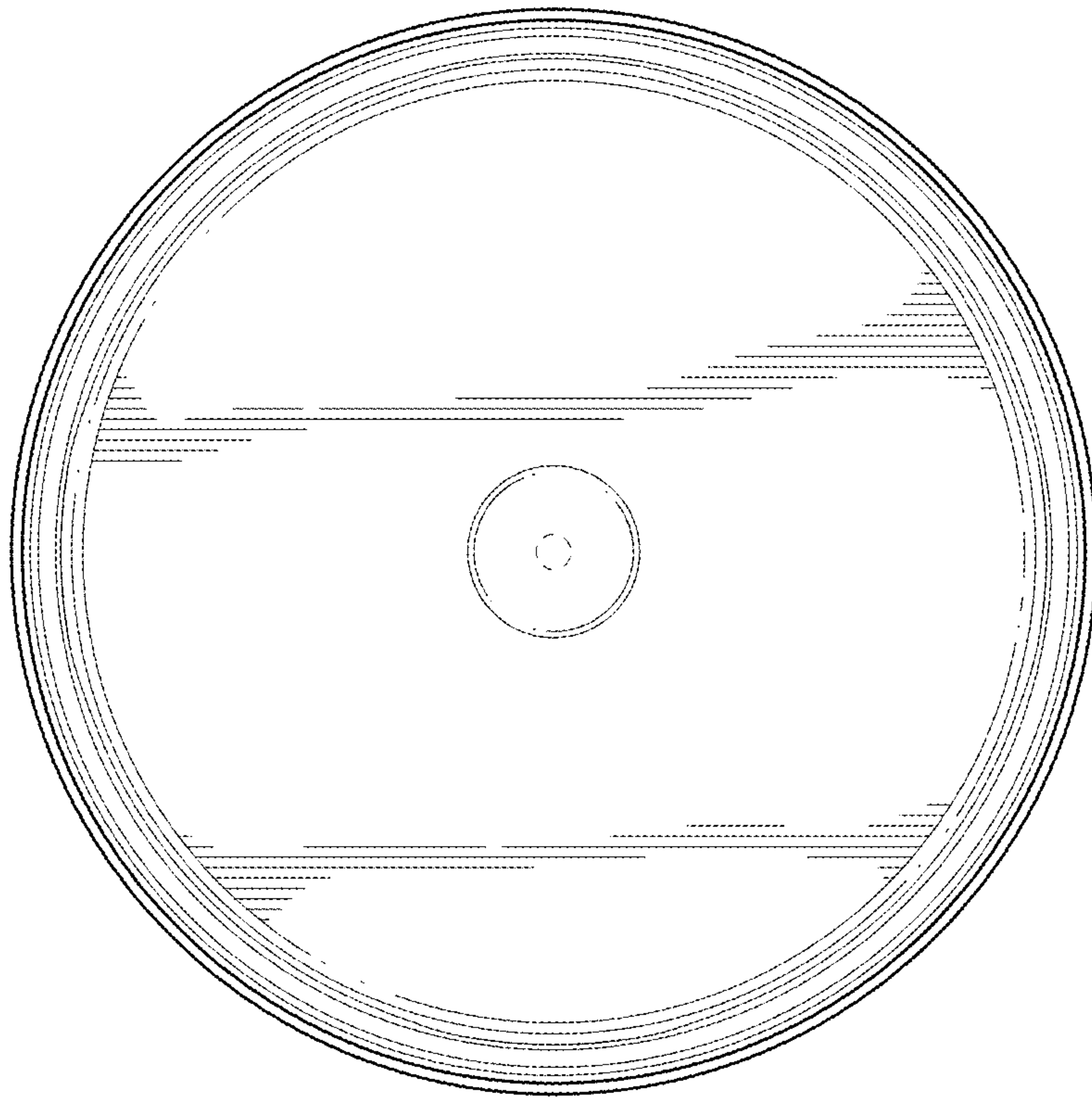


FIG. 7

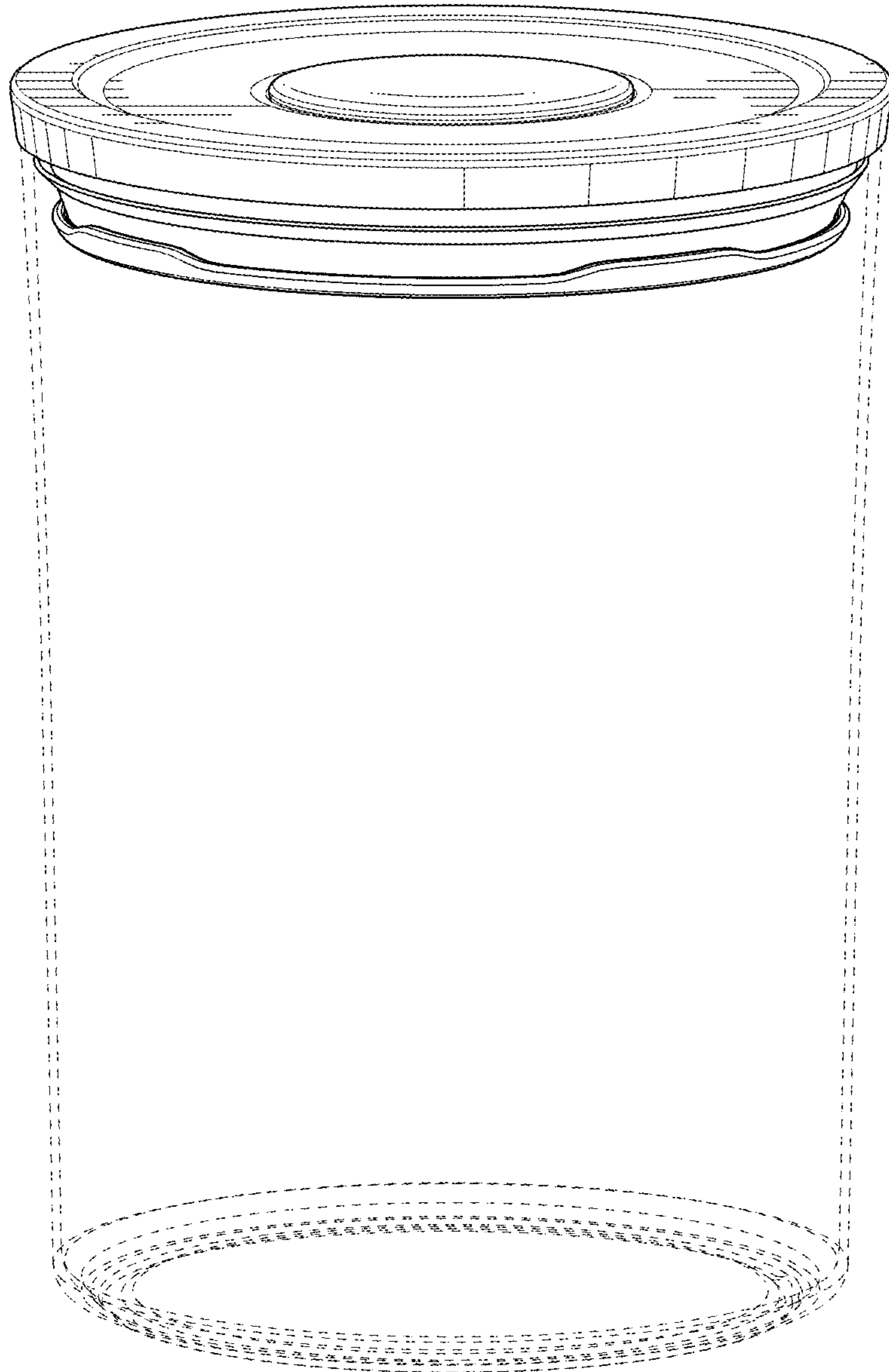


FIG. 8