



US00D907429S

(12) **United States Design Patent**
Gee et al.

(10) **Patent No.:** **US D907,429 S**
(45) **Date of Patent:** **** Jan. 12, 2021**

(54) **BLENDER BASE**

(71) Applicant: **VITA-MIX MANAGEMENT CORPORATION**, Olmsted Township, OH (US)

(72) Inventors: **Jack W. Gee**, Willoughby, OH (US); **Fred H. Mehlman**, Brunswick, OH (US); **Eugene J. Kozlowski**, Medina, OH (US); **Robin Shorr**, Olmsted, OH (US); **Phonesacksith Guy Kettavong**, Medina, OH (US); **Christian C. Stewart**, Berea, OH (US); **Steffen Koury**, Everett, MA (US); **Paul Metaxatos**, Swampscott, MA (US); **James Troy McGee**, Winthrop, MA (US); **Brendan Boyd Crawford**, Newton, MA (US); **Benjamin T. Hines**, Cranston, RI (US)

(73) Assignee: **VITA-MIX MANAGEMENT CORPORATION**, Olmsted Township, OH (US)

(**) Term: **15 Years**

(21) Appl. No.: **29/726,737**

(22) Filed: **Mar. 5, 2020**

Related U.S. Application Data

(60) Continuation of application No. 29/685,696, filed on Mar. 29, 2019, now Pat. No. Des. 877,557, which is a continuation of application No. 29/617,957, filed on Sep. 18, 2017, now Pat. No. Des. 844,370, which is a division of application No. 29/557,010, filed on Mar. 4, 2016, now Pat. No. Des. 797,496.

(51) **LOC (13) Cl.** **31-00**

(52) **U.S. Cl.**
USPC **D7/386; D7/376; D7/378**

(58) **Field of Classification Search**
USPC **D7/372, 376-386, 412-413, 602, 629, D7/665-666, 669, 679, 693-694**

CPC A21C 1/02; A21C 1/04; A23N 1/00; A23N 1/02; A47J 43/04; A47J 43/25; A47J 43/27; A47J 43/042; A47J 43/044; A47J 43/046; A47J 43/075; A47J 43/0722; A47J 43/0727; B01F 3/00; B01F 3/0807; B01F 3/0853; B01F 13/0059; B01F 13/0064; B02C 1/08; B02C 2/04; B02C 4/42; B02C 4/142; B02C 4/143; B02C 4/423; B02C 13/1835; B28C 5/10; B28C 5/12; B28C 5/14; B28C 5/16

See application file for complete search history.

(56) **References Cited**

U.S. PATENT DOCUMENTS

D660,642 S * 5/2012 Boozer D7/376
D765,465 S * 9/2016 Du D7/376
D771,999 S * 11/2016 Kettavong D7/376
D789,735 S * 6/2017 Palermo D7/376

(Continued)

Primary Examiner — Ricky Pham

(74) *Attorney, Agent, or Firm* — McDonald Hopkins LLC

(57) **CLAIM**

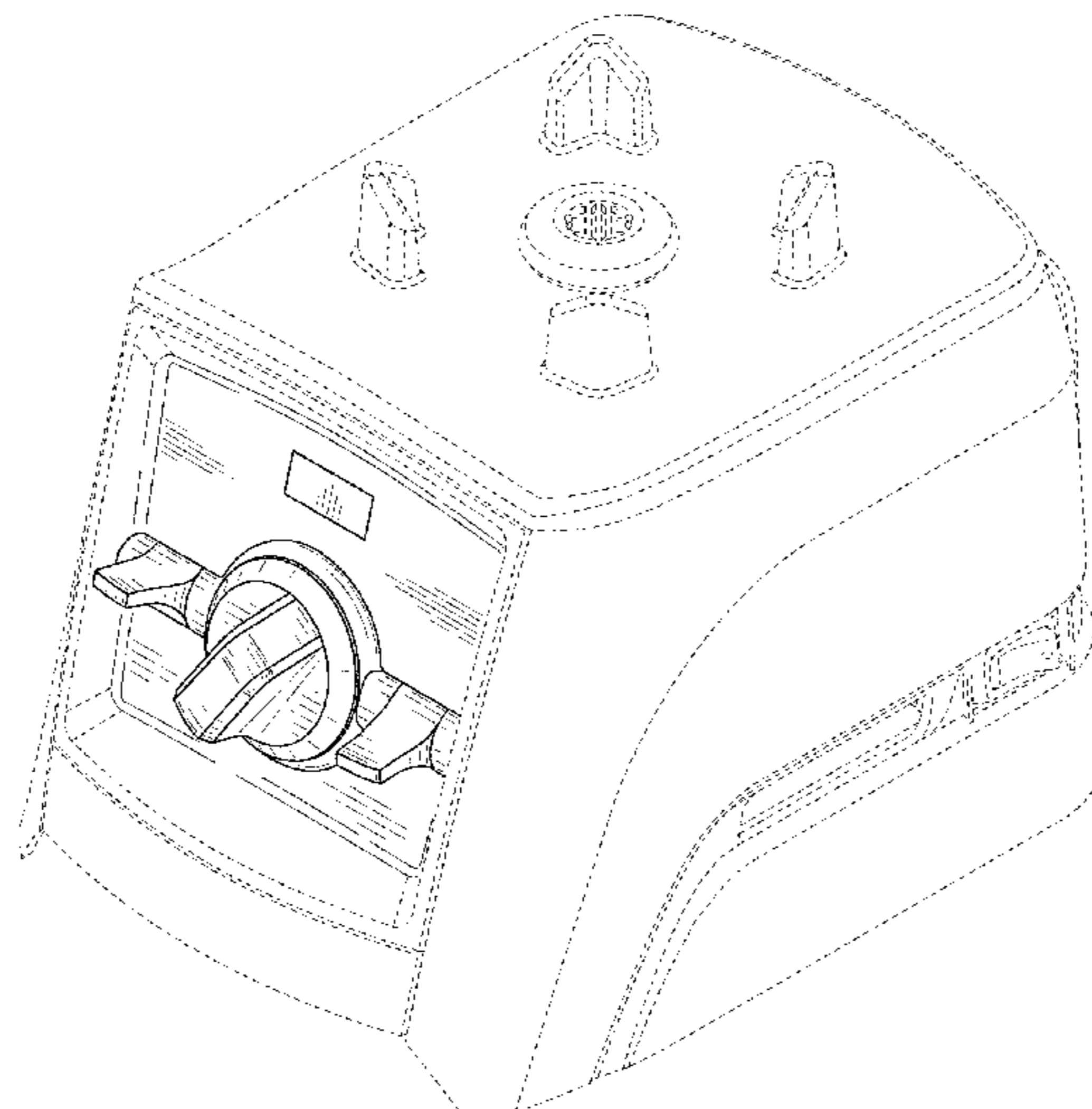
The ornamental design for a blender base, as shown and described.

DESCRIPTION

FIG. 1 is a perspective view of a blender base showing our new design;
FIG. 2 is a front side view thereof;
FIG. 3 is a back side view thereof;
FIG. 4 is a right side view thereof;
FIG. 5 is a left side view thereof;
FIG. 6 is a top view thereof; and,
FIG. 7 is a bottom view thereof.

The broken lines in the figures are included for the purpose of illustrating portions of a blender base and form no part of the claimed design.

1 Claim, 7 Drawing Sheets



(56)

References Cited

U.S. PATENT DOCUMENTS

D794,384 S *	8/2017	Lee	D7/376
D797,496 S *	9/2017	Gee, II	D7/376
D809,333 S *	2/2018	Lee	D7/386
D821,806 S *	7/2018	Coakley	D7/386
D828,080 S *	9/2018	Ou	D7/376
D858,179 S *	9/2019	Gee, II	D7/386
D863,873 S *	10/2019	Kettavong	D7/384
D877,557 S *	3/2020	Gee	D7/386
2016/0331182 A1 *	11/2016	Golino	A47J 43/046

* cited by examiner

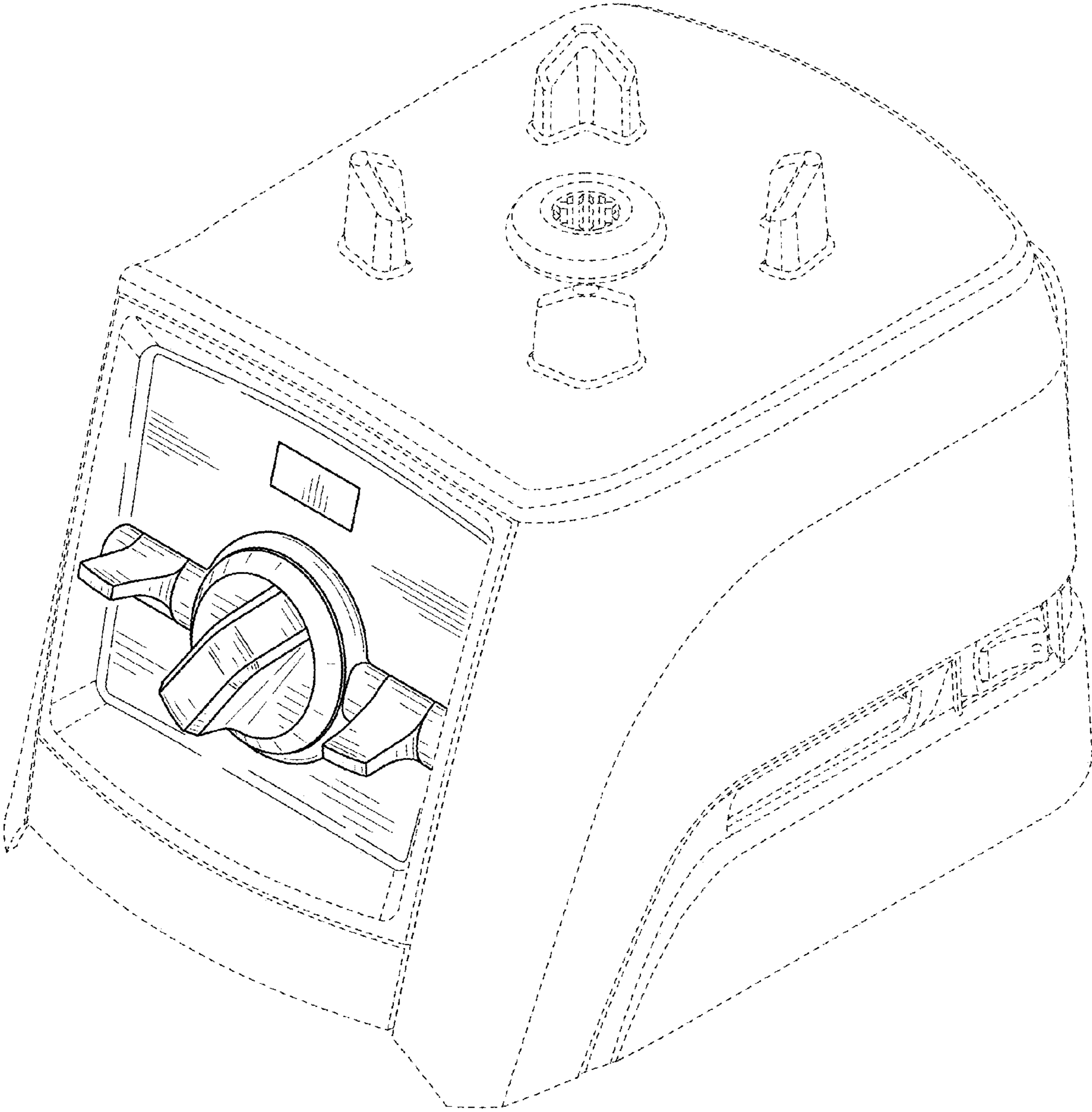


FIG. 1

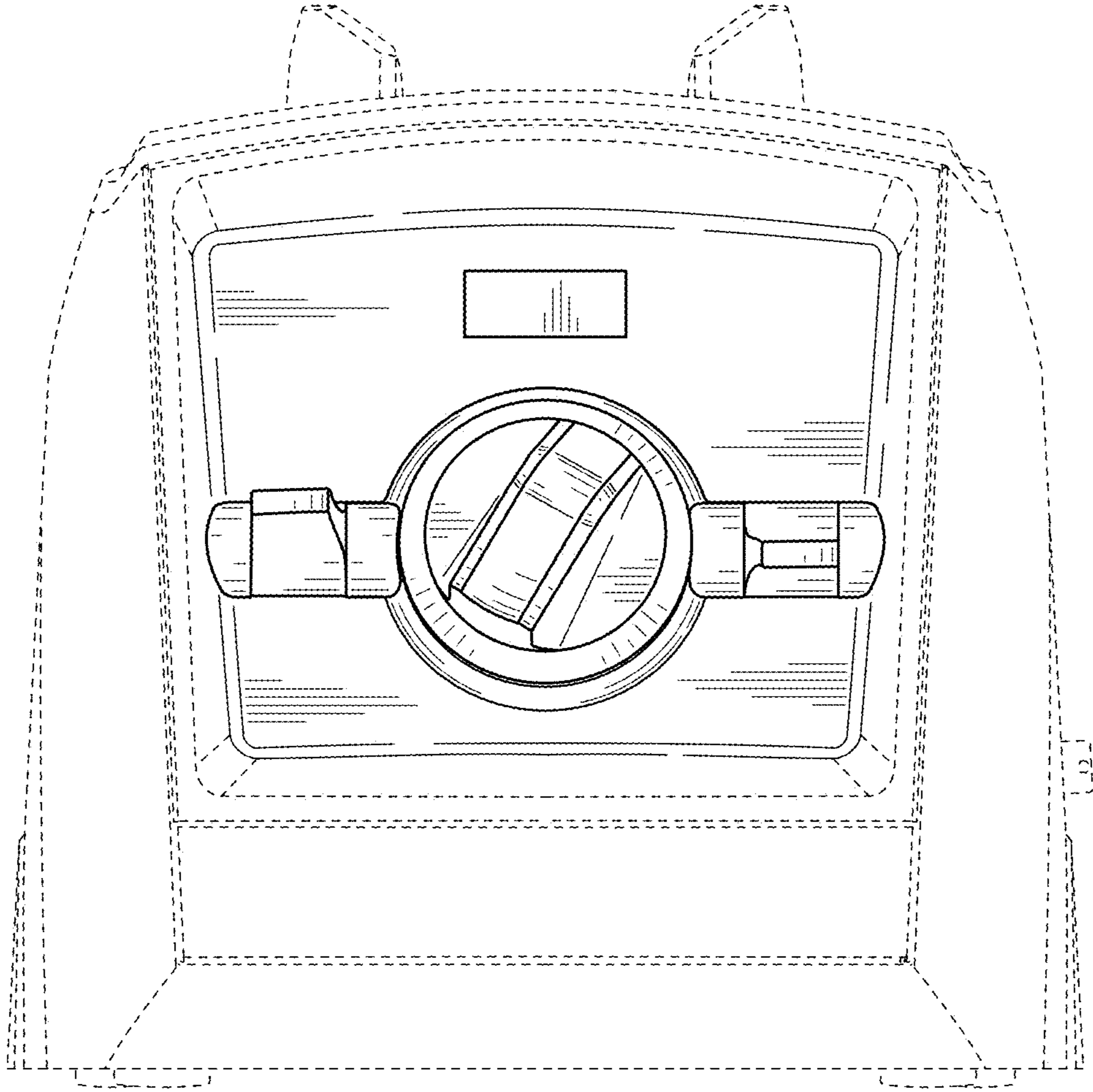


FIG. 2

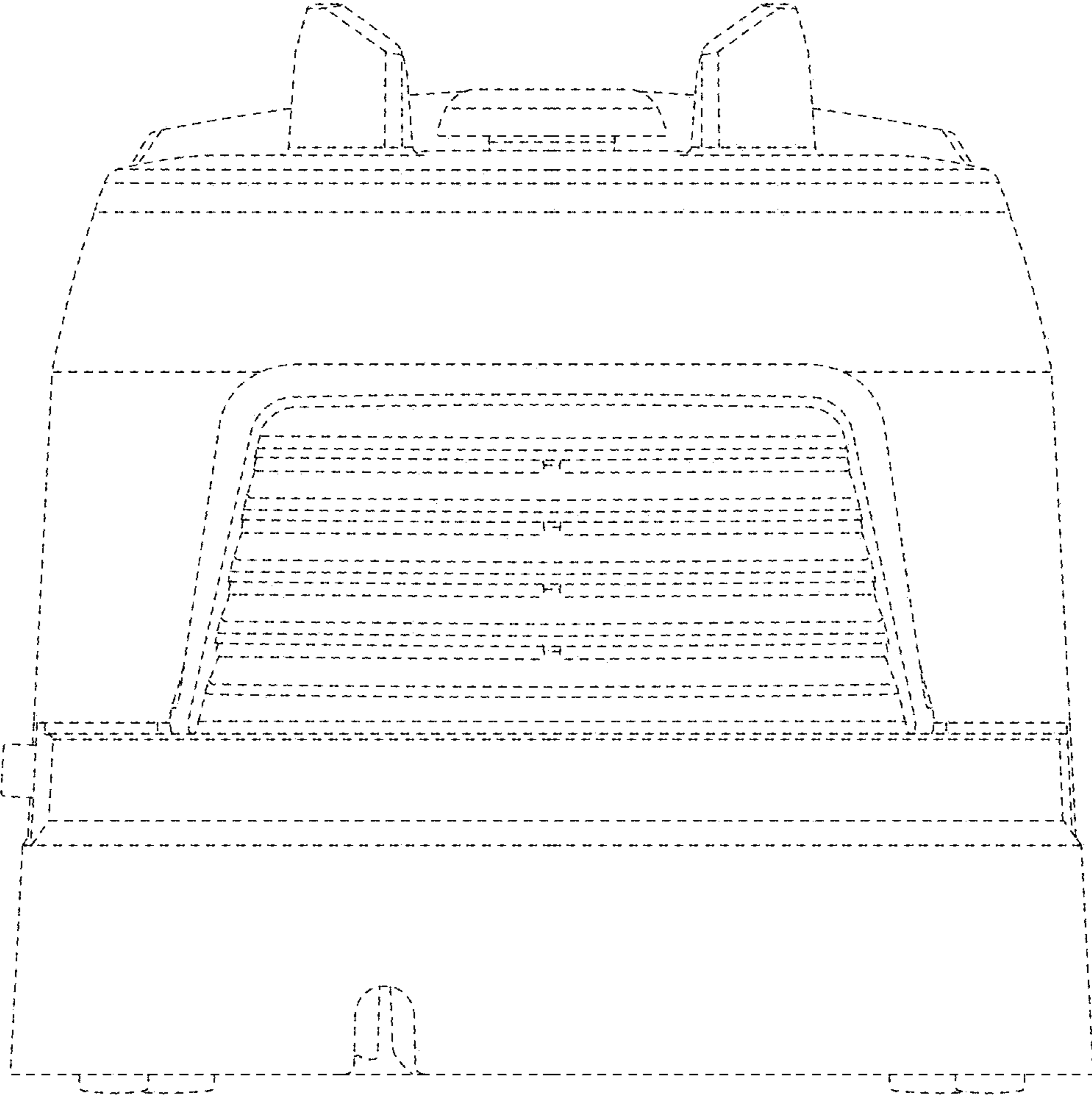


FIG. 3

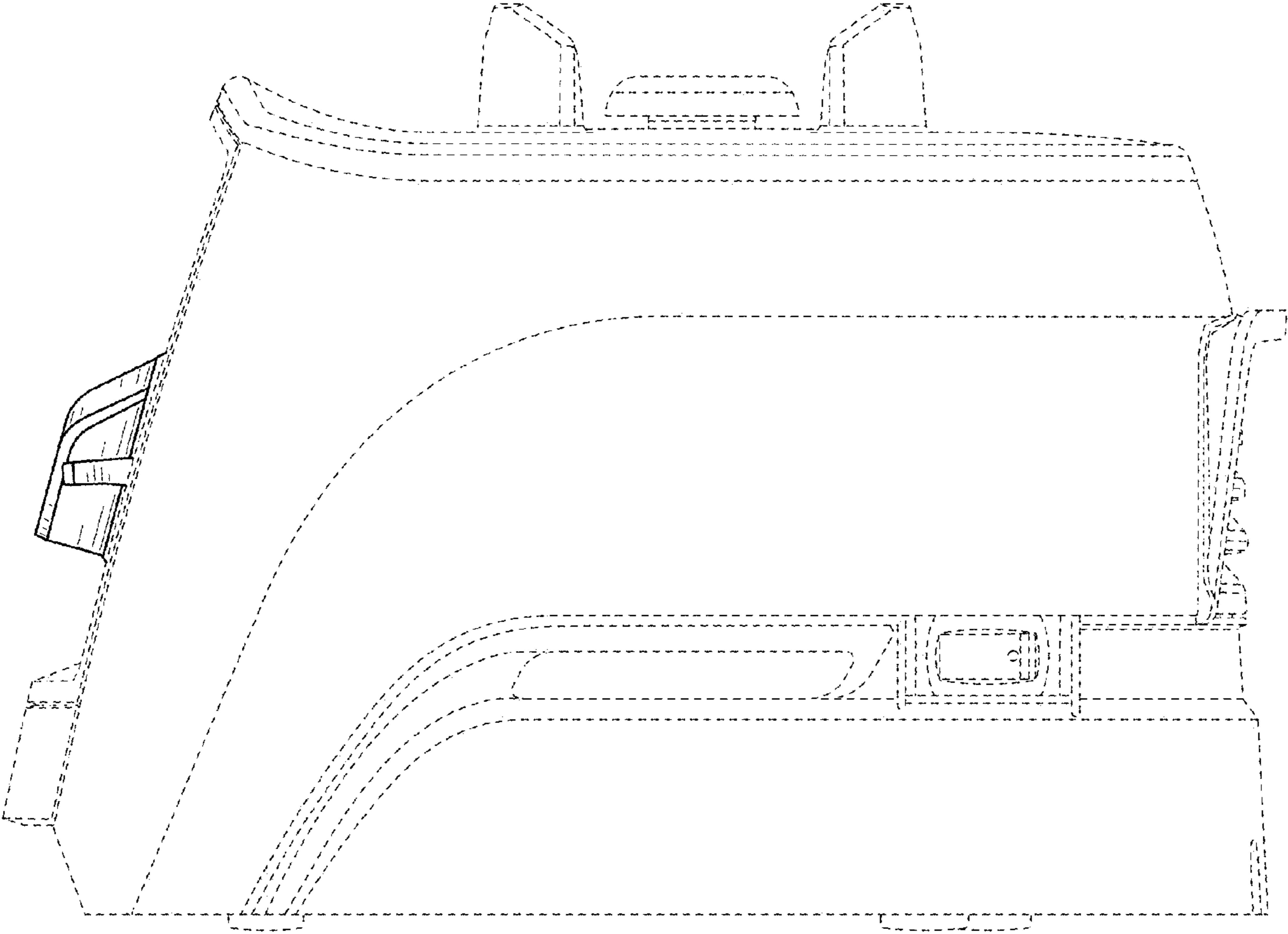


FIG. 4

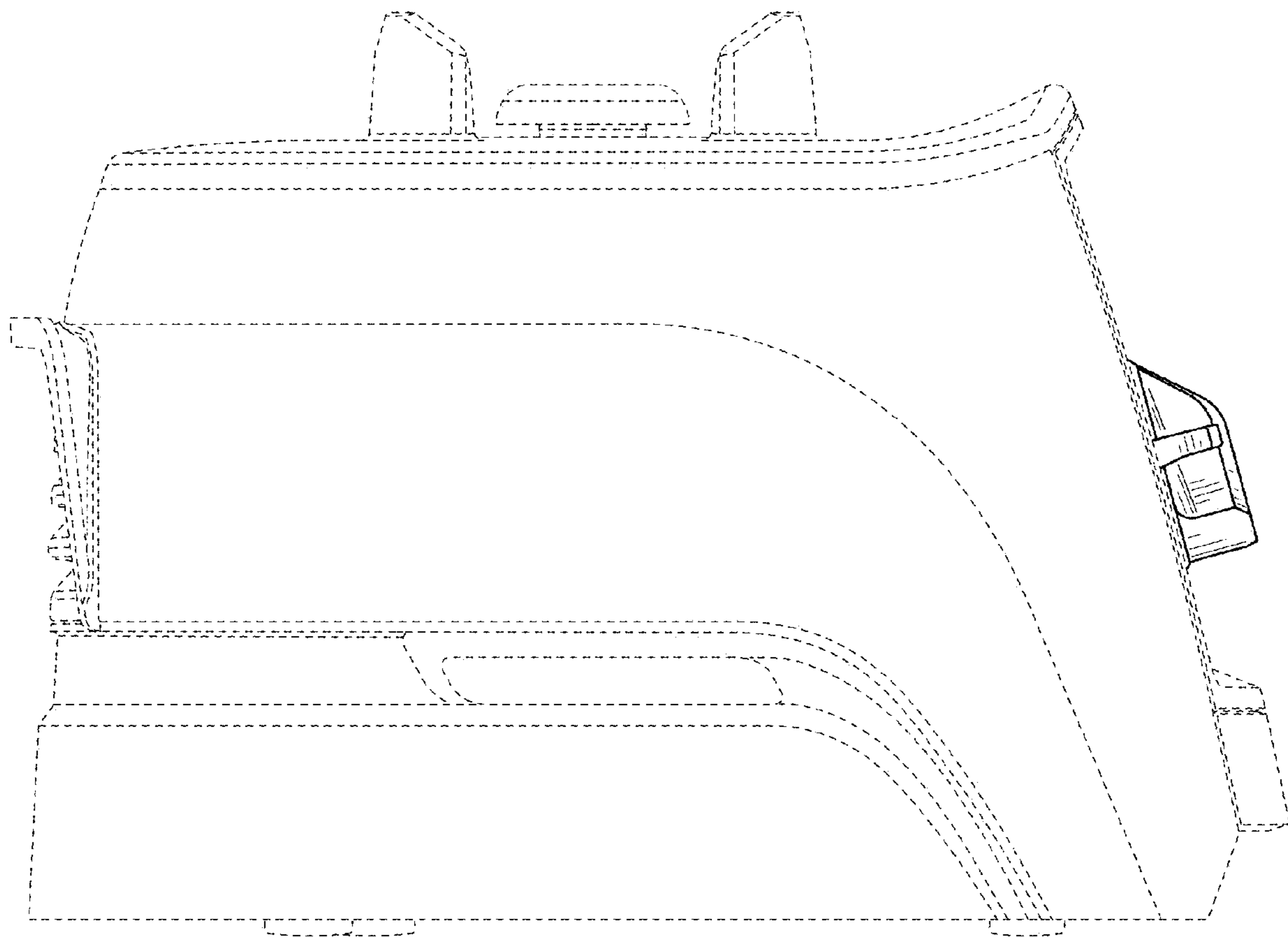


FIG. 5

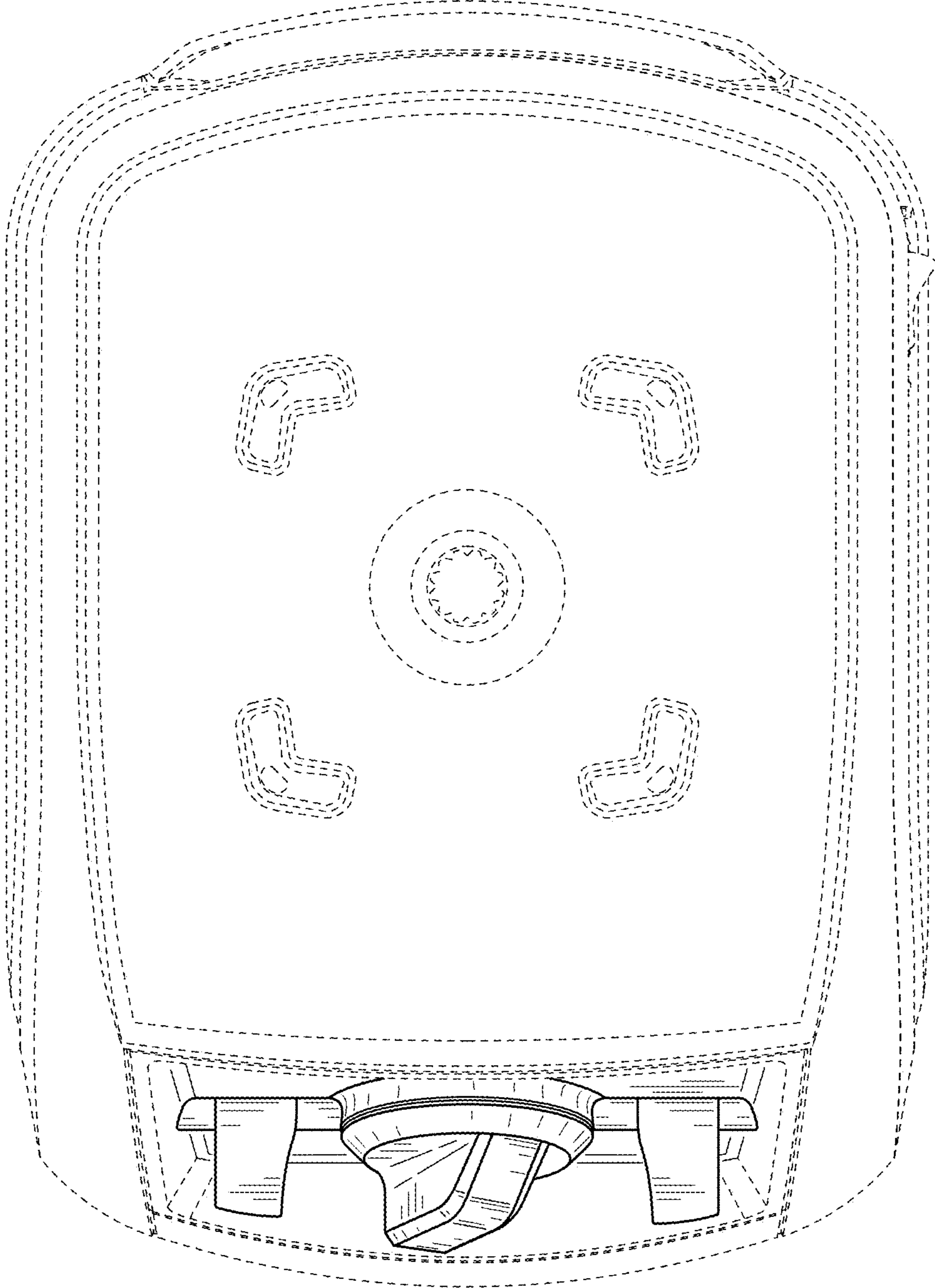


FIG. 6

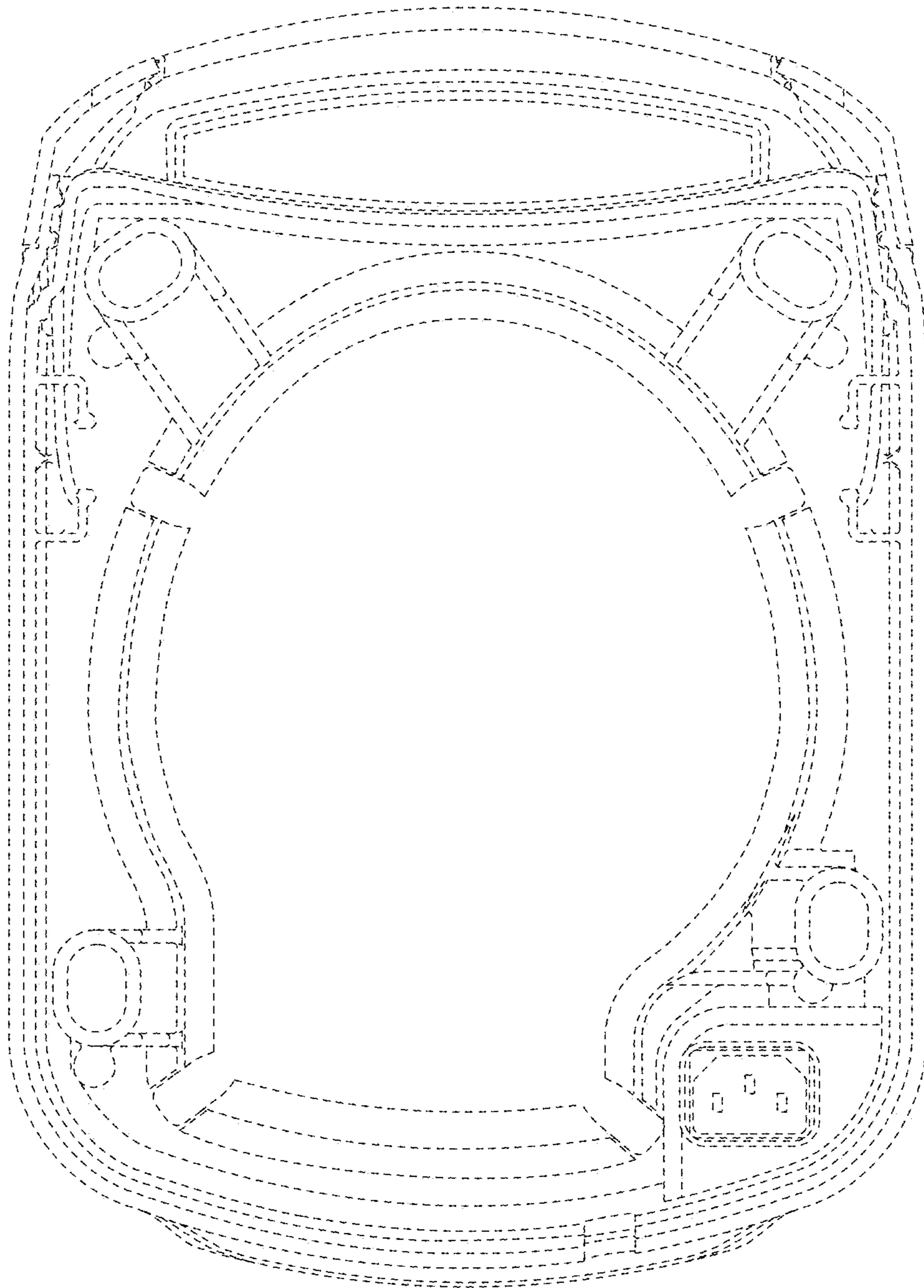


FIG. 7