



US00D907428S

(12) **United States Design Patent** (10) **Patent No.:** **US D907,428 S**
Du (45) **Date of Patent:** **** Jan. 12, 2021**

(54) **MAIN ENGINE OF BLENDER**
(71) Applicant: **NINGBO PAILITE ELECTRONICS CO., LTD.,** Ningbo (CN)
(72) Inventor: **Dongnan Du,** Ningbo (CN)
(**) Term: **15 Years**
(21) Appl. No.: **29/712,278**

4,310,969 A * 1/1982 Cannizzaro A47J 25/00
30/113.1
D313,533 S * 1/1991 Rixen D7/380
D323,955 S * 2/1992 Rixen D7/376
D489,583 S * 5/2004 Cheung D7/690
D655,568 S * 3/2012 Chapman D7/380
D703,481 S * 4/2014 Lownds D7/380
D733,985 S * 7/2015 Sawaya D32/46
D866,246 S * 11/2019 Zhu D7/380
D884,413 S * 5/2020 Zhu D7/380

(22) Filed: **Nov. 7, 2019**
(51) **LOC (13) Cl.** **31-00**
(52) **U.S. Cl.**
USPC **D7/380; D7/376; D7/379**
(58) **Field of Classification Search**
USPC D7/372, 376-386, 412-413, 602, 629,
D7/665-666, 669, 679, 690, 693-694;
D32/46
CPC A21C 1/02; A21C 1/04; A23N 1/00; A23N
1/02; A47J 25/00; A47J 43/04; A47J
43/25; A47J 43/27; A47J 43/042; A47J
43/044; A47J 43/046; A47J 43/075; A47J
43/0722; A47J 43/0727; A47J 43/1087;
B01F 3/00; B01F 3/0807; B01F 3/0853;
B01F 13/0059; B01F 13/0064; B02C
1/08; B02C 2/04; B02C 4/42; B02C
4/142; B02C 4/143; B02C 4/423; B02C
13/1835; B28C 5/10; B28C 5/12; B28C
5/14; B28C 5/16
See application file for complete search history.

(56) **References Cited**
U.S. PATENT DOCUMENTS
D121,299 S * 7/1940 Krebs D7/379
2,732,187 A * 1/1956 Benedetto A47J 43/1087
222/191
2,990,615 A * 7/1961 Ohler A47J 25/00
30/316

OTHER PUBLICATIONS

Vomelon Rechargeable Milk Frother Battery Operated. Date First Available on Amazon.com Jul. 29, 2019. <https://www.amazon.com/Rechargeable-Operated-Portable-Cappuccino-Chocolate/dp/B07VT6F26X/> (Year: 2019).*

* cited by examiner

Primary Examiner — Ricky Pham
(74) *Attorney, Agent, or Firm* — ZANIP

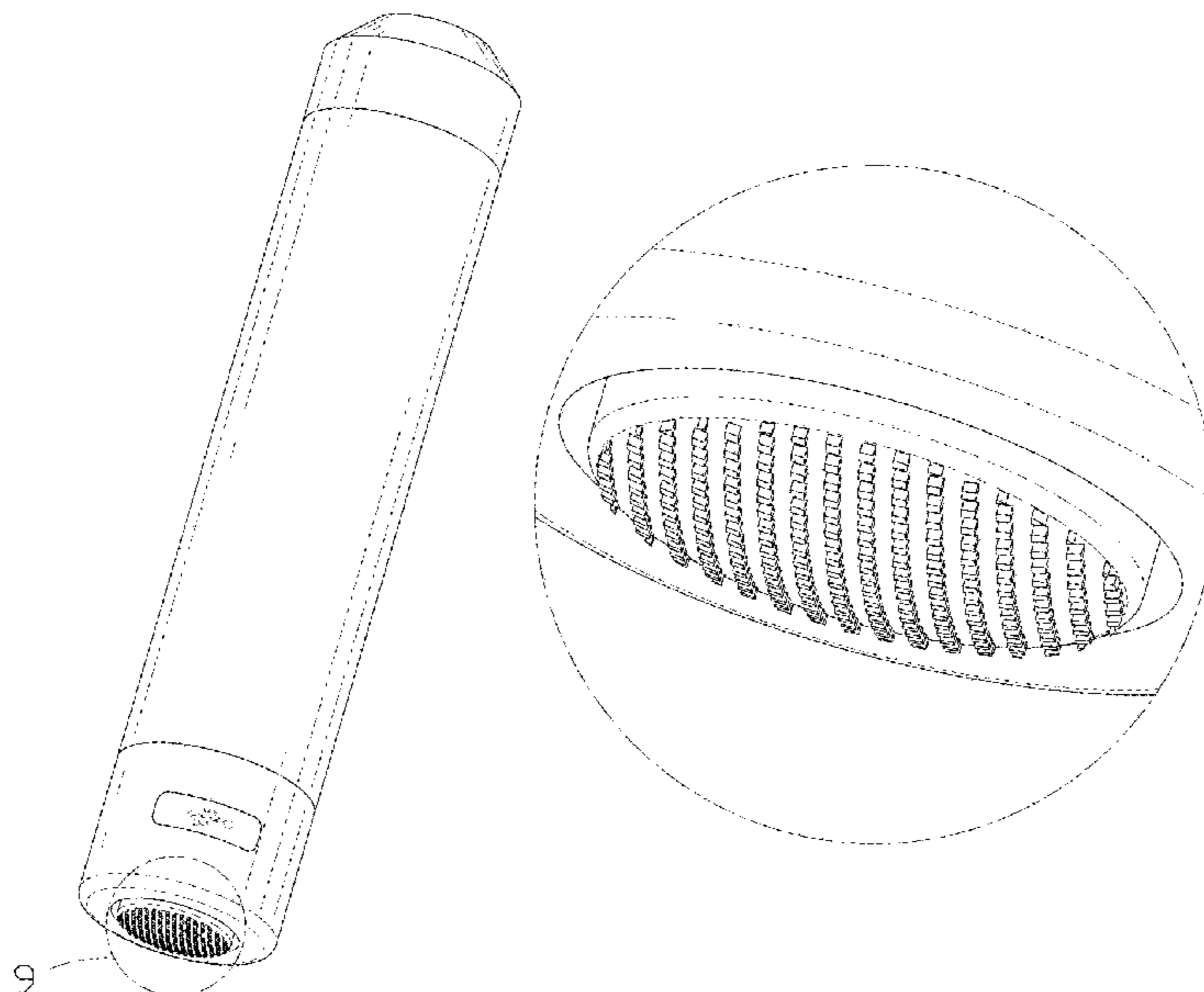
(57) **CLAIM**

The ornamental design for a main engine of blender, as shown and described.

DESCRIPTION

FIG. 1 is a front and bottom perspective view of a main engine of blender, showing my new design;
FIG. 2 is a front and top perspective view thereof;
FIG. 3 is a front elevational view thereof;
FIG. 4 is a rear elevational view thereof;
FIG. 5 is a left side elevational view thereof;
FIG. 6 is a right side elevational view thereof;
FIG. 7 is a top plan view thereof;
FIG. 8 is a bottom plan view thereof; and,
FIG. 9 is an enlarged view of a portion indicated in FIG. 1. The broken lines in the figures illustrate portions of the main engine of blender that form no part of the claimed design.

1 Claim, 9 Drawing Sheets



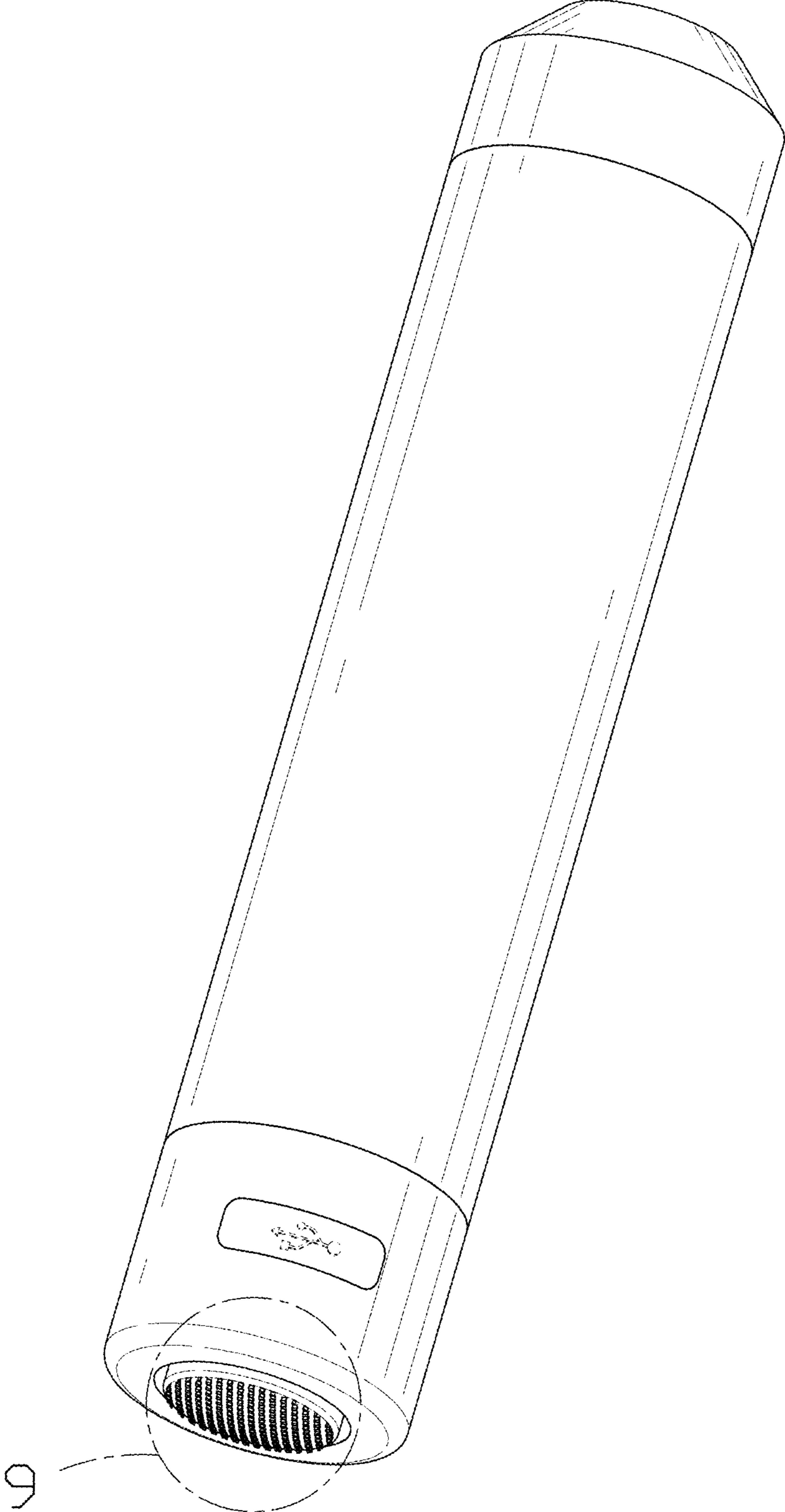


FIG. 1

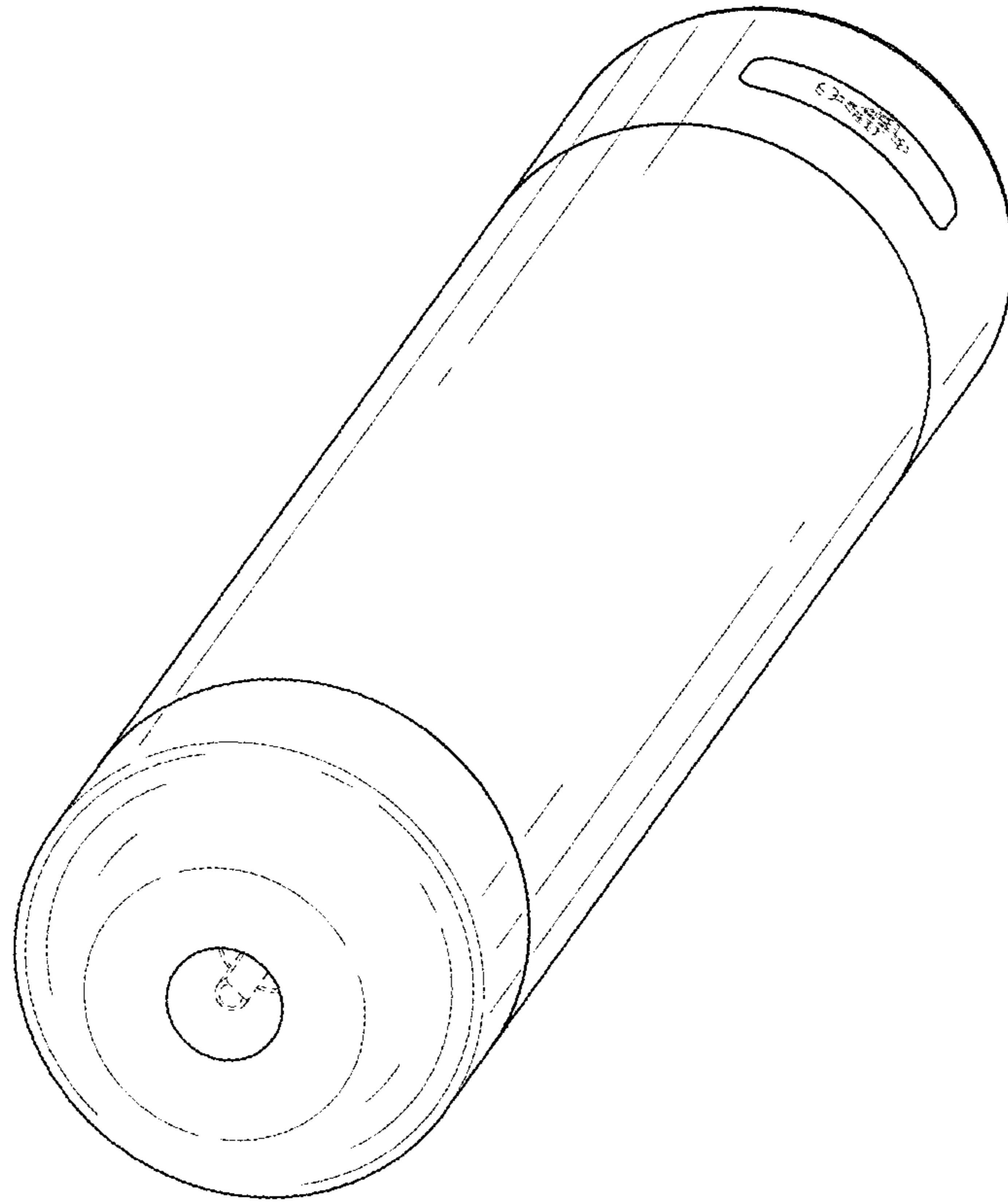


FIG. 2

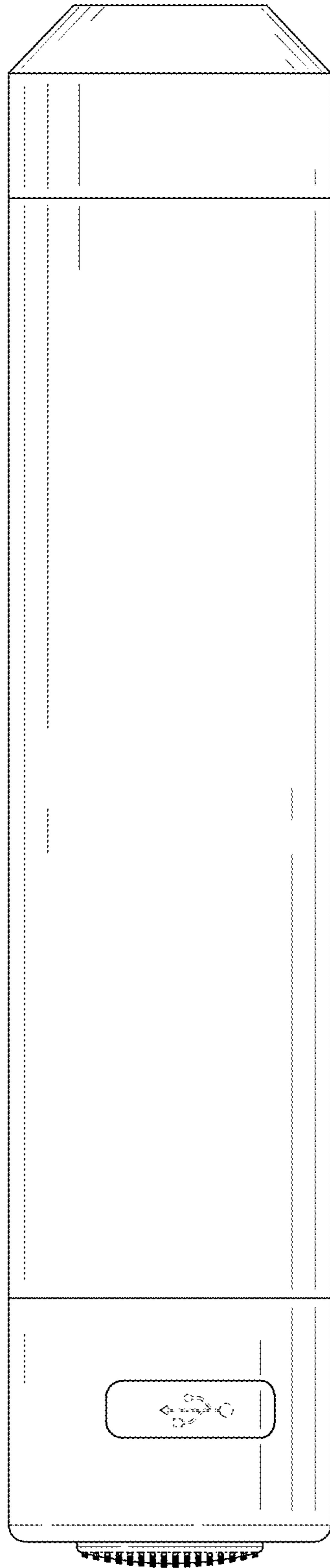


FIG. 3

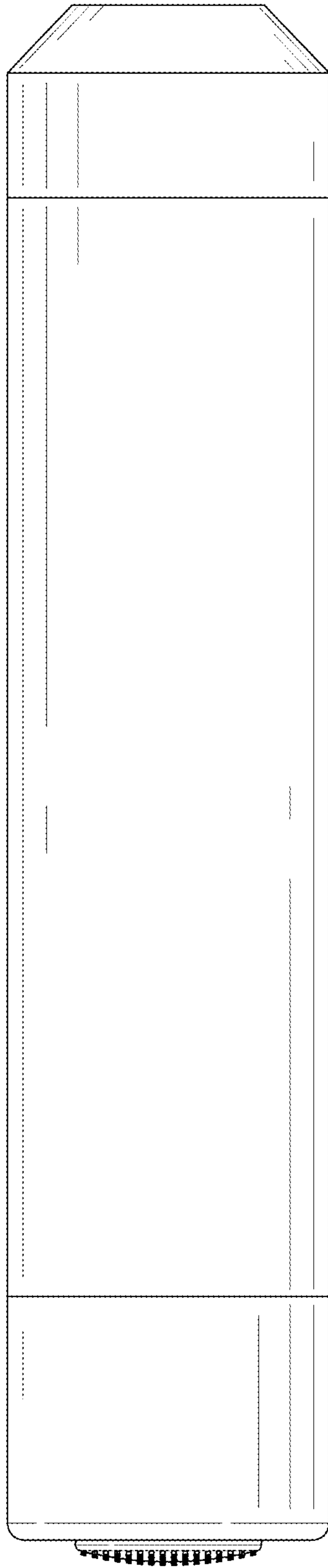


FIG. 4

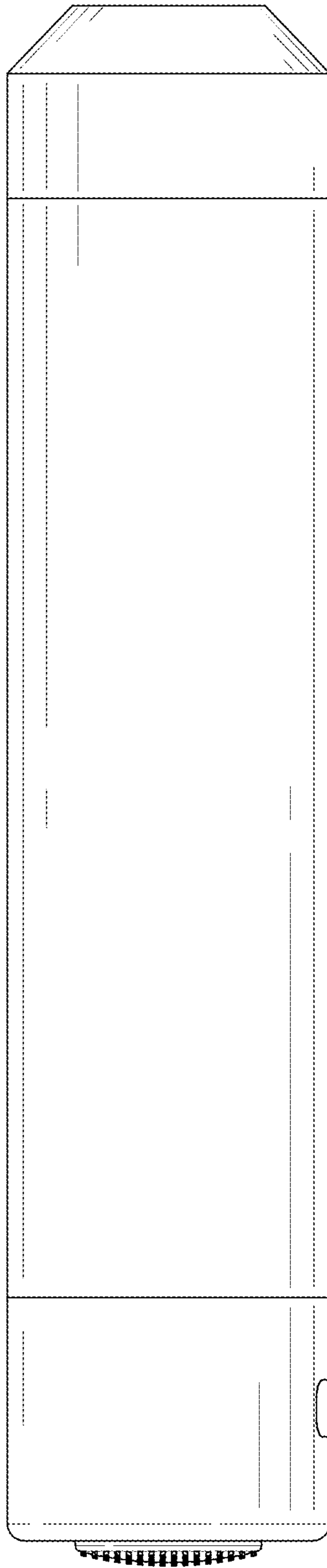


FIG. 5

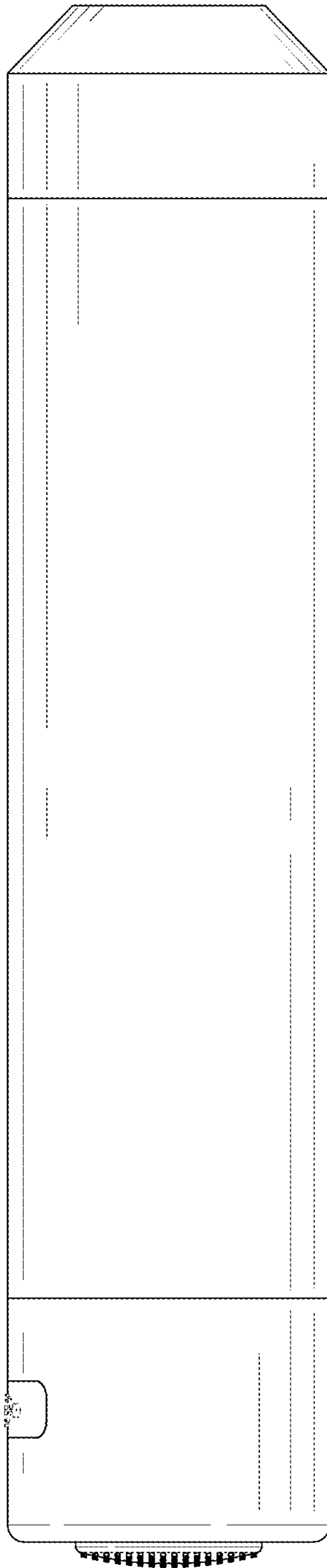


FIG. 6

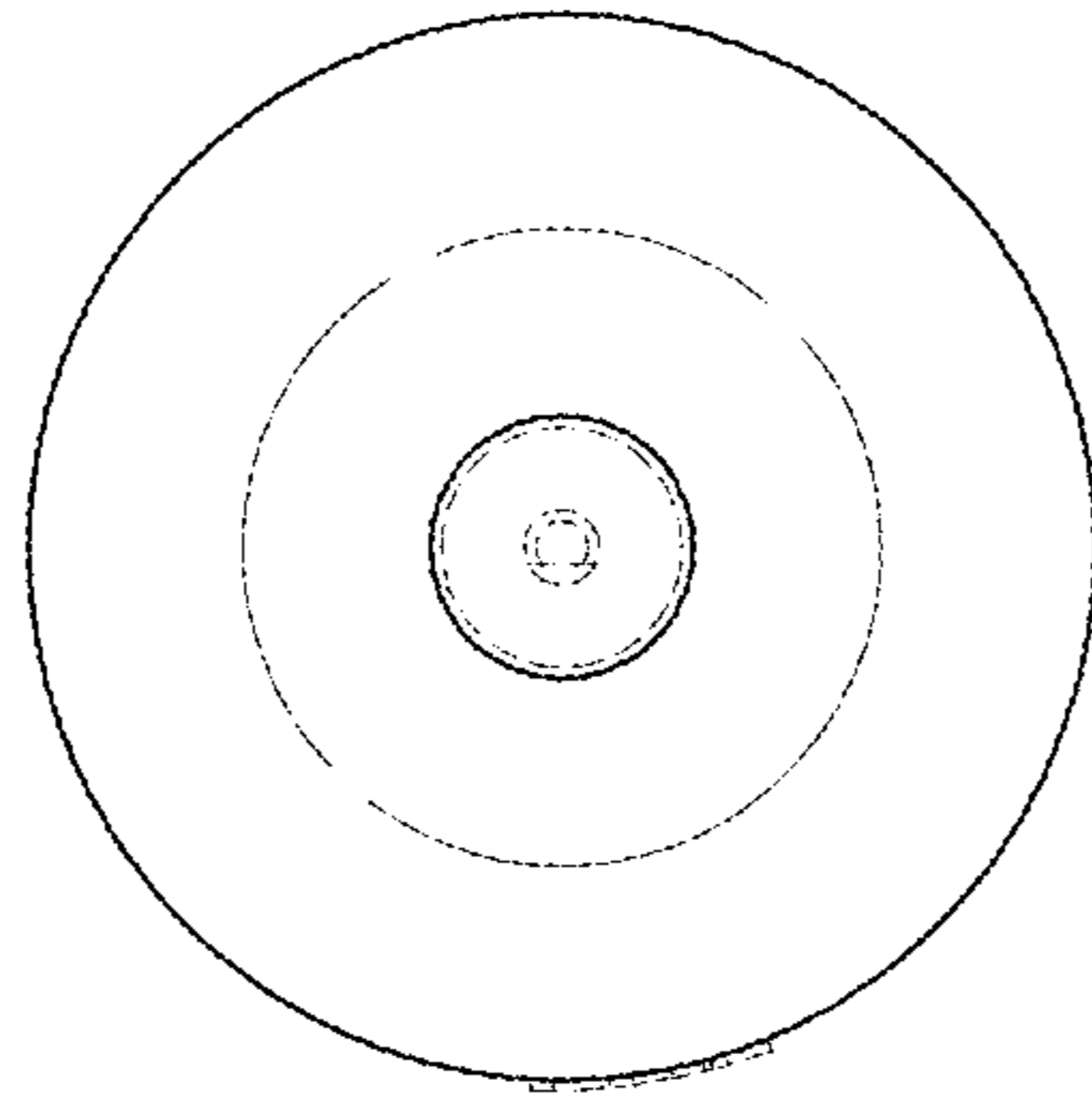


FIG. 7

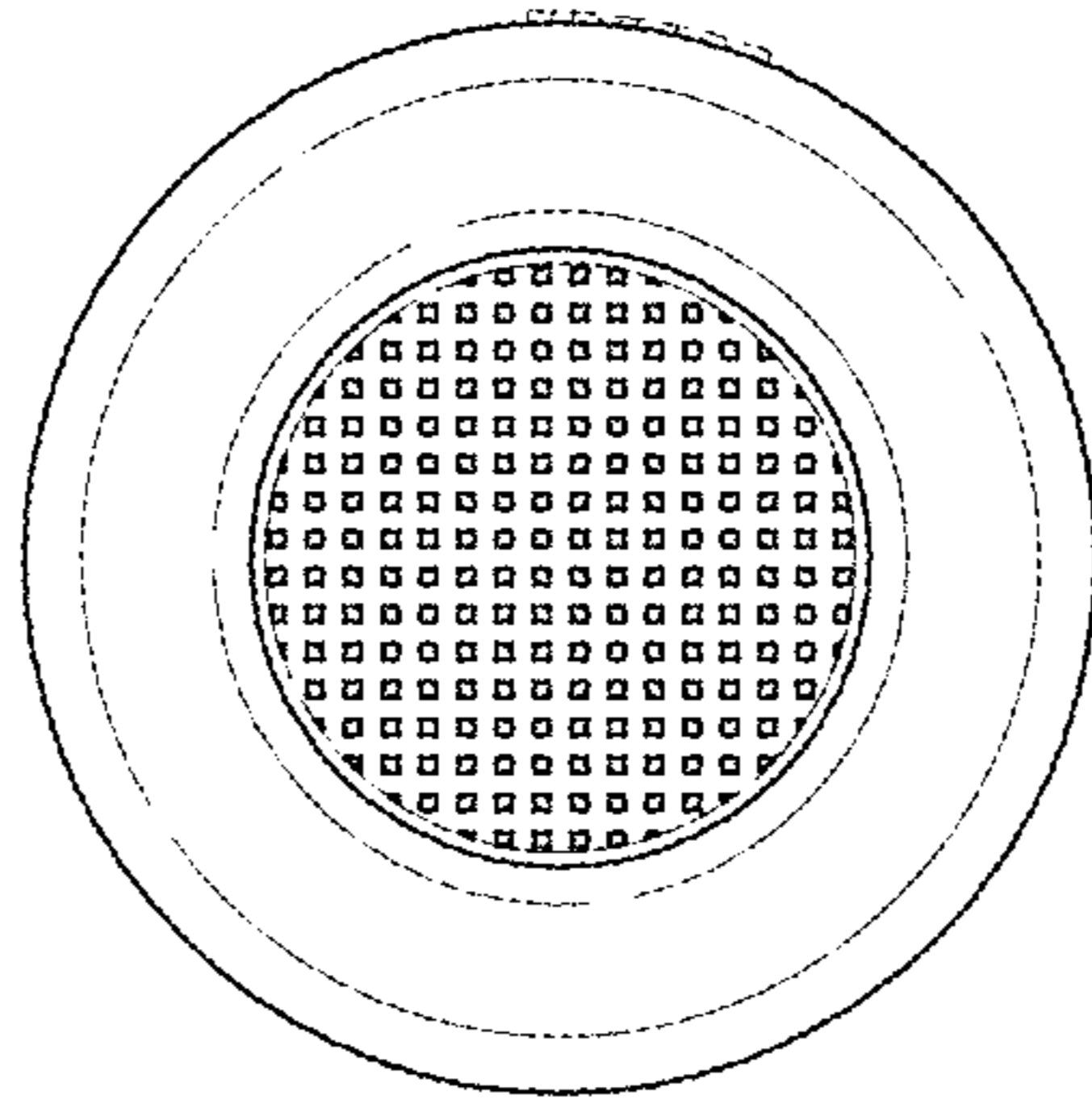


FIG. 8

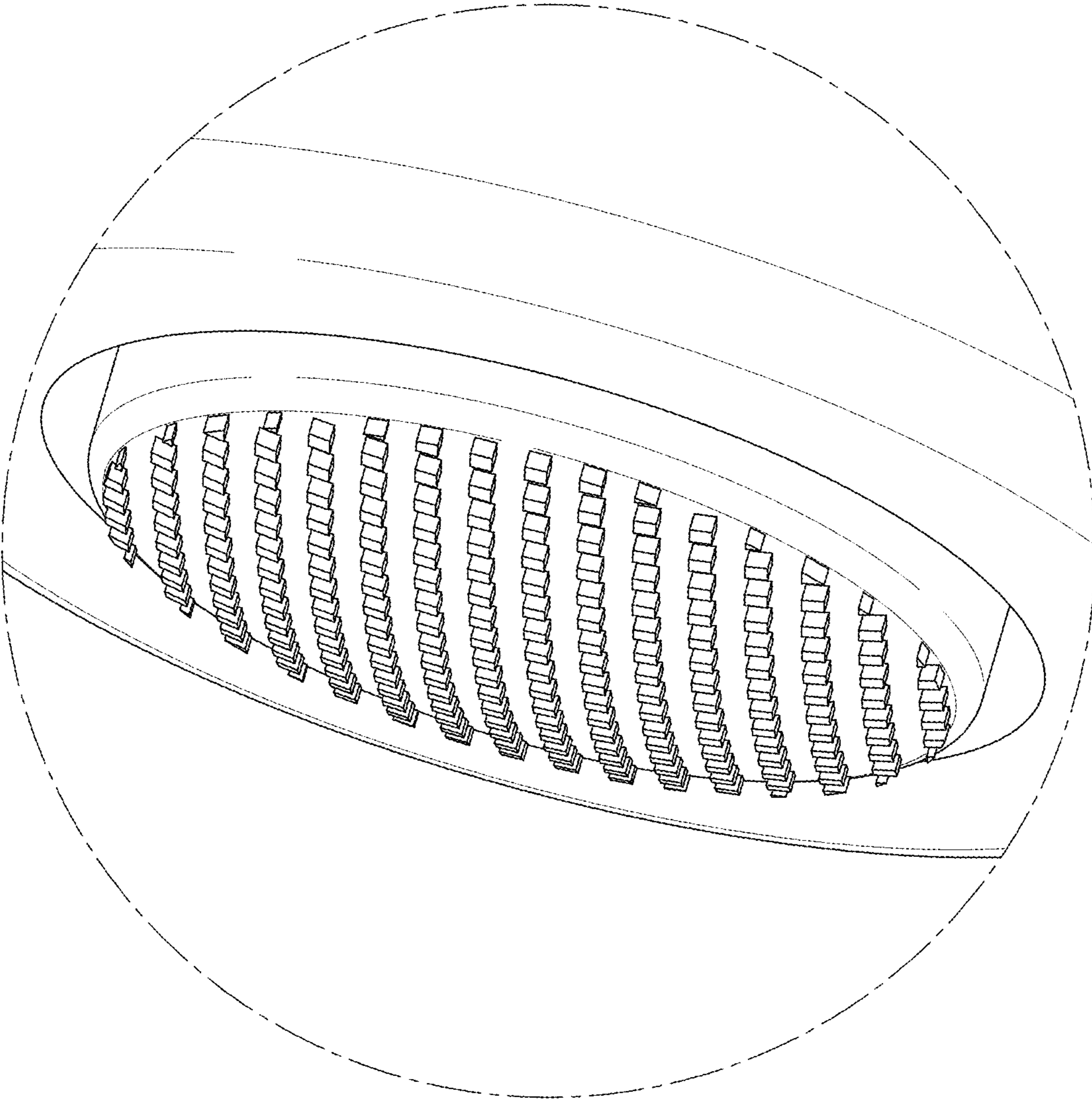


FIG. 9