



US00D907427S

(12) **United States Design Patent** (10) **Patent No.:** **US D907,427 S**
Ye (45) **Date of Patent:** **** Jan. 12, 2021**

(54) **ELECTRIC PRESSURE COOKER**
(71) Applicants: **Xiushan Ye**, Guangzhou (CN);
GUANGZHOU SHENGWEI
ELECTRIC MANUFACTURING
CO., LTD., Guangzhou (CN)
(72) Inventor: **Xiushan Ye**, Guangzhou (CN)
(73) Assignees: **Xiushan Ye**, Guangzhou (CN);
GUANGZHOU SHENGWEI
ELECTRIC MANUFACTURING
CO., LTD., Guangzhou (CN)
(**) Term: **15 Years**
(21) Appl. No.: **29/749,567**
(22) Filed: **Sep. 7, 2020**

45/074; A47J 45/08; B01D 2201/345;
B01J 3/03; B01J 3/04; F01P 2011/0247;
F01P 2011/0252; H05B 6/00; H05B 6/02;
H05B 6/06
See application file for complete search history.

(56) **References Cited**

U.S. PATENT DOCUMENTS

D380,504 S *	7/1997	Yang	D21/525
D476,191 S *	6/2003	Josancy	D7/358
D568,092 S *	5/2008	Boes	D7/354
D610,393 S *	2/2010	Josancy	D7/358
D641,203 S *	7/2011	Josancy	D7/358
D642,416 S *	8/2011	Scott	D7/332
D667,255 S *	9/2012	Reiner	D7/354
D711,182 S *	8/2014	Roussard	D7/358
D802,987 S *	11/2017	Corlay	D7/358
D854,875 S *	7/2019	Tan	D7/358
D861,411 S *	10/2019	Huang	D7/358
D899,178 S *	10/2020	Ye	D7/358

(Continued)

Primary Examiner — Ricky Pham

(57) **CLAIM**

The ornamental design for an electric pressure cooker as shown and described.

DESCRIPTION

FIG. 1 is a perspective view of an electric pressure cooker; FIG. 2 is a front elevational view thereof; FIG. 3 is a rear elevational view thereof; FIG. 4 is a left side elevational view thereof; FIG. 5 is a right side elevational view thereof; FIG. 6 is a top plan view thereof; and, FIG. 7 is a bottom plan view thereof. The broken lines in the drawings depict portions of the electric pressure cooker that form no part of the claimed design.

1 Claim, 7 Drawing Sheets

Related U.S. Application Data

(62) Division of application No. 29/718,508, filed on Dec. 25, 2019, now Pat. No. Des. 899,178.

(30) **Foreign Application Priority Data**

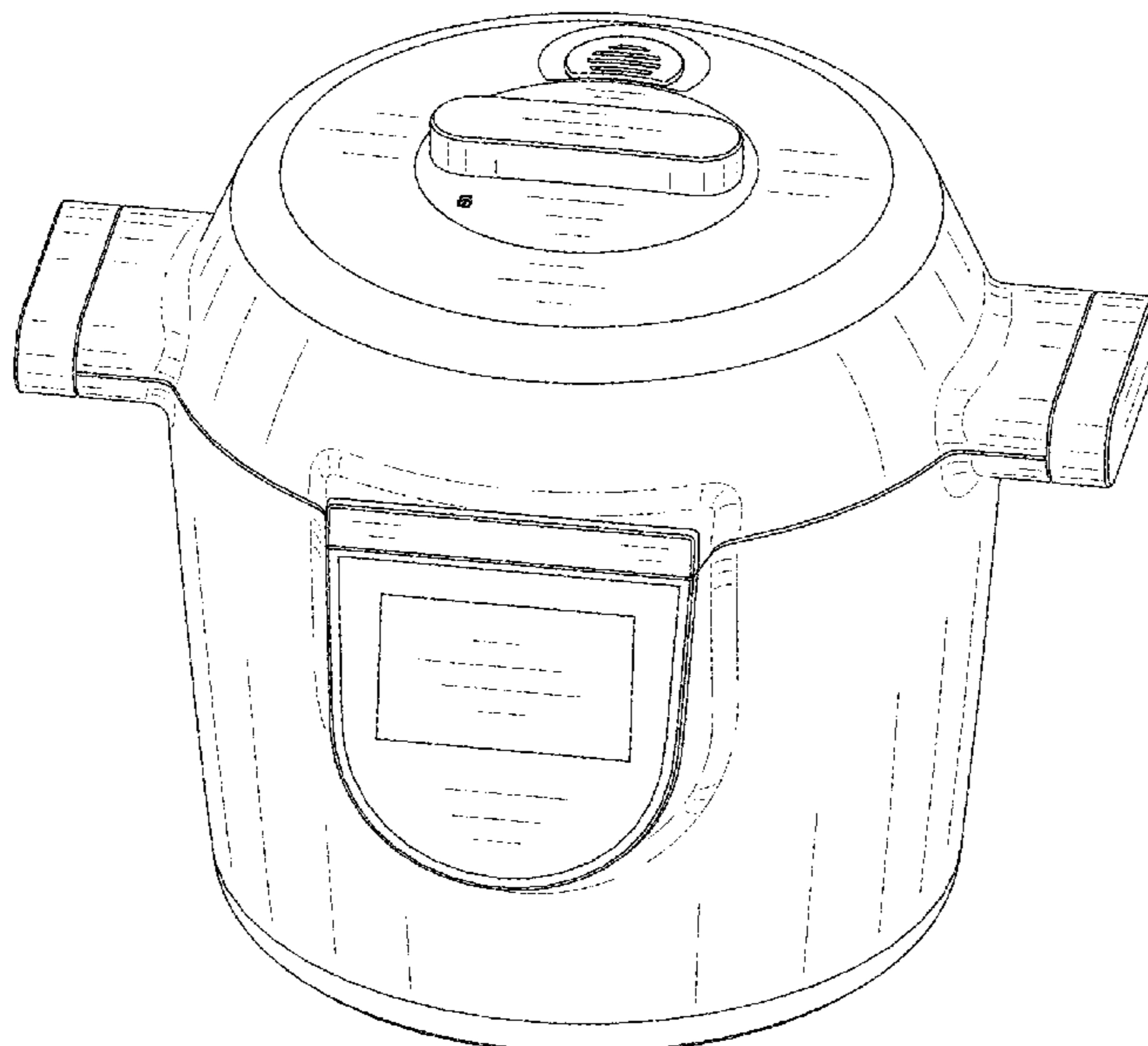
Dec. 19, 2019 (CN) 2019 3 0711887

(51) **LOC (13) Cl.** **07-02**

(52) **U.S. Cl.**
USPC **D7/358; D7/354**

(58) **Field of Classification Search**
USPC D7/323, 332, 354–361, 391, 393;
D21/525

CPC A47J 27/00; A47J 27/004; A47J 27/08;
A47J 27/0802; A47J 27/0804; A47J
27/0811; A47J 27/0813; A47J 27/0815;
A47J 27/0817; A47J 27/084; A47J 27/09;
A47J 27/092; A47J 36/025; A47J 36/06;
A47J 37/12; A47J 37/1204; A47J
37/1209; A47J 45/07; A47J 45/071; A47J



(56)

References Cited

U.S. PATENT DOCUMENTS

2013/0019759 A1 * 1/2013 Tumenbatur A47J 27/0813
99/337

* cited by examiner

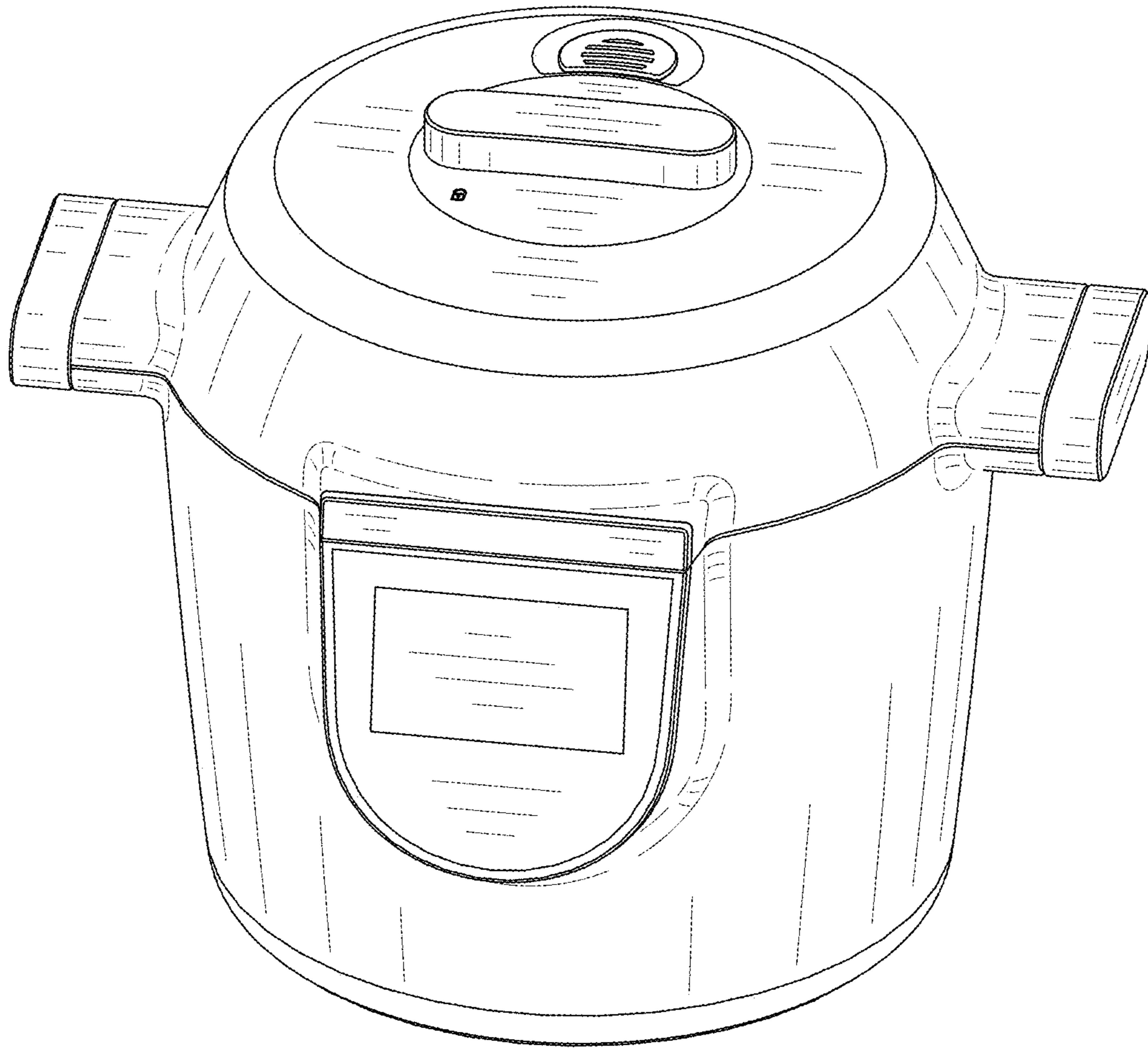


FIG. 1

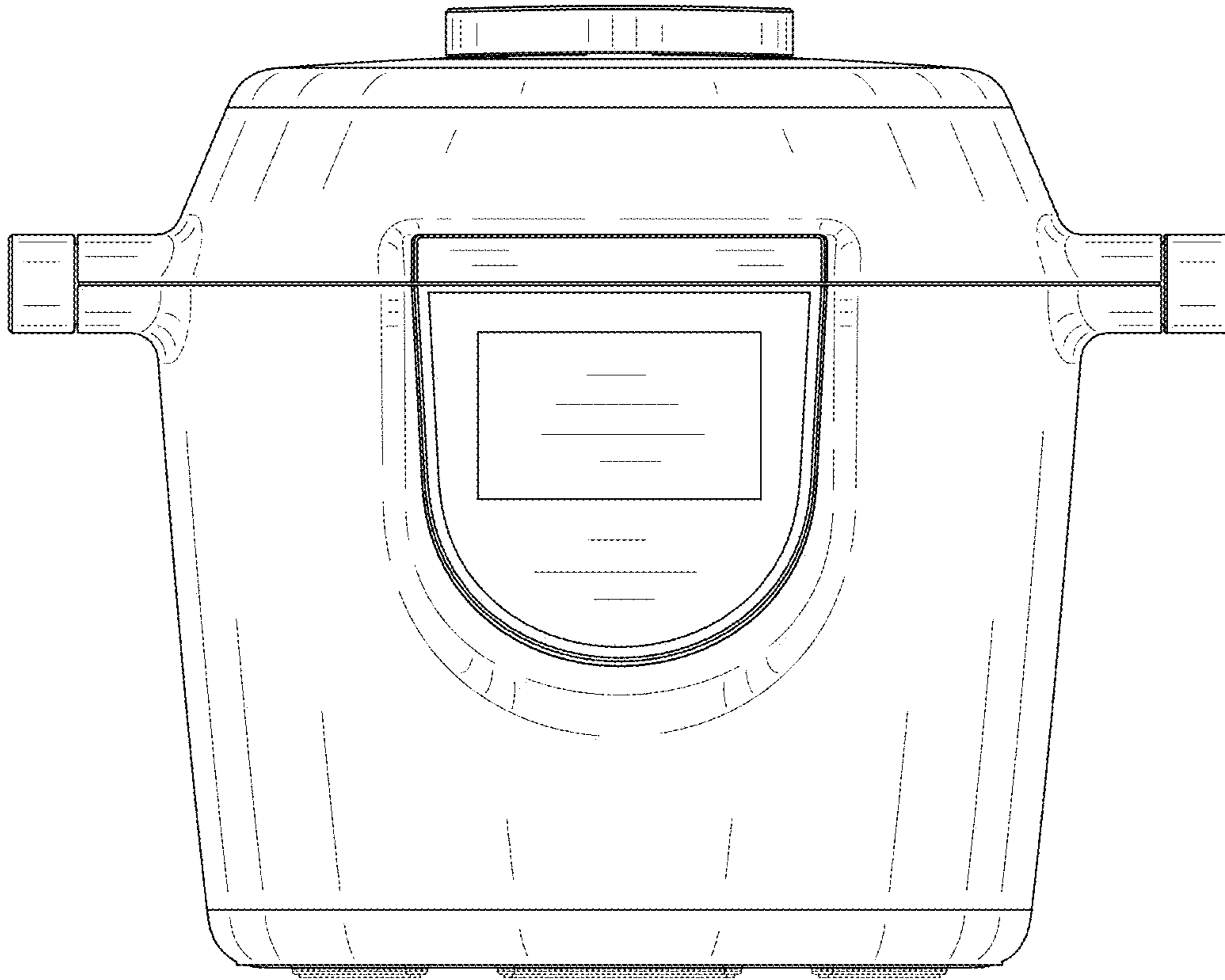


FIG. 2

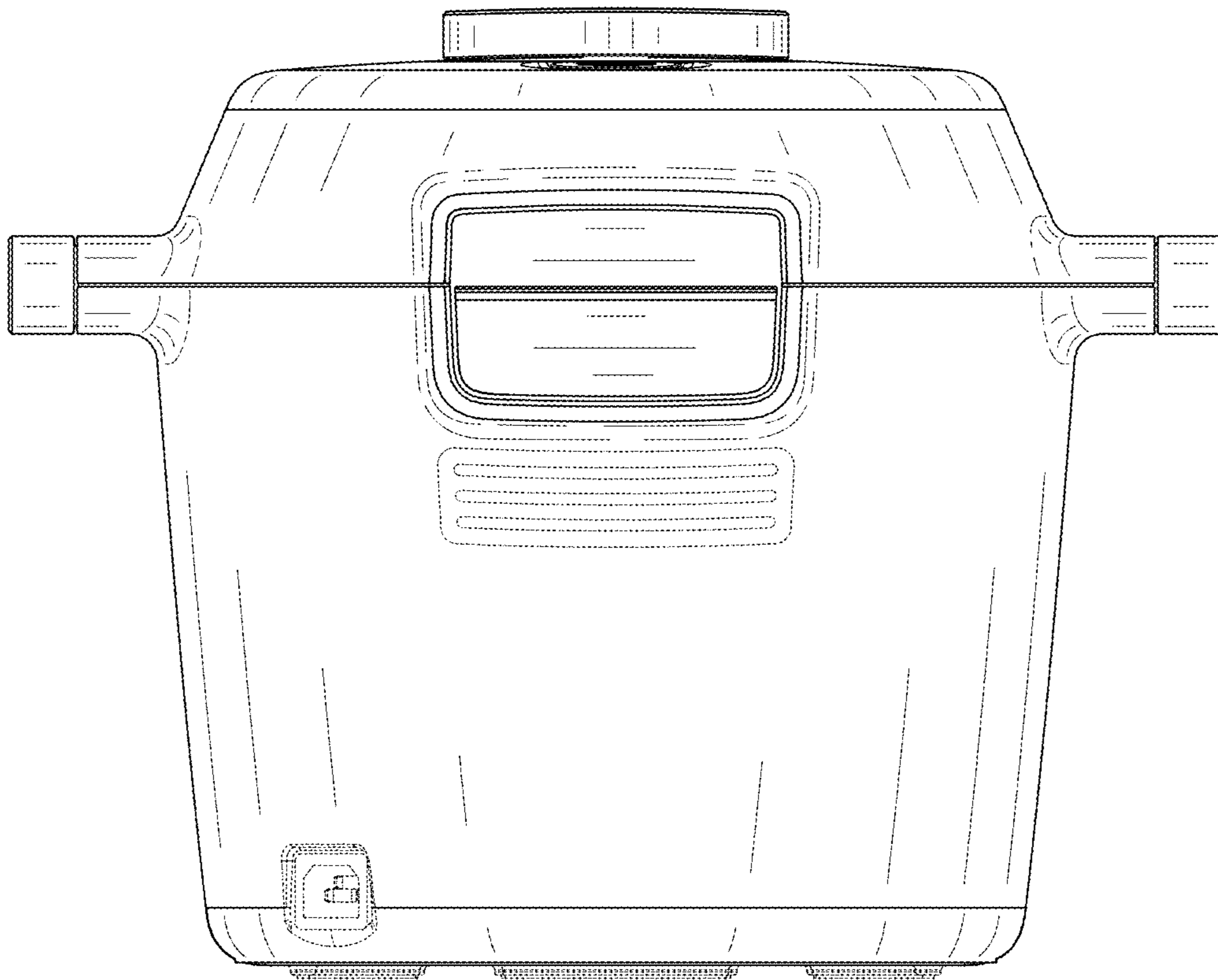


FIG. 3

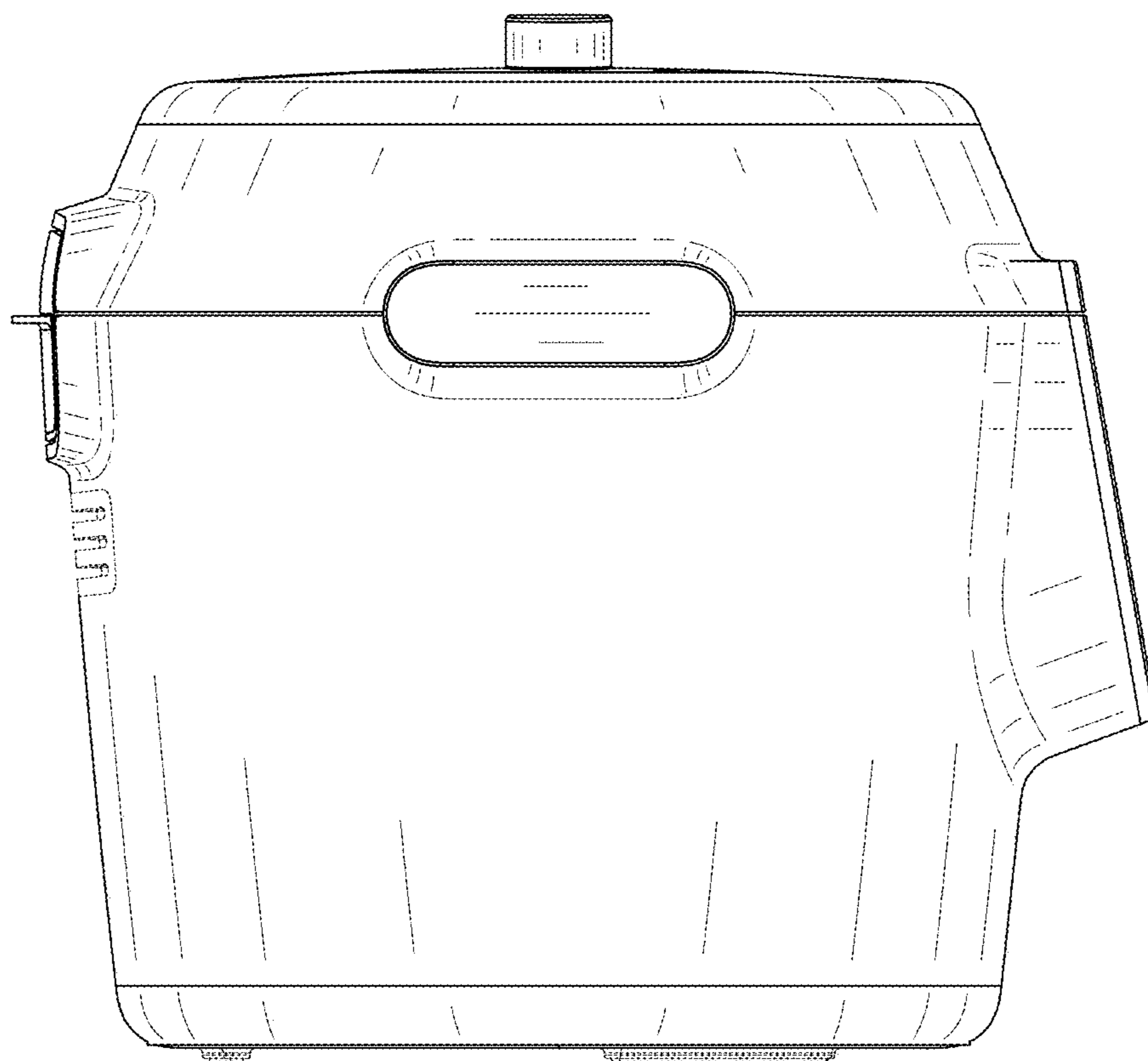


FIG. 4

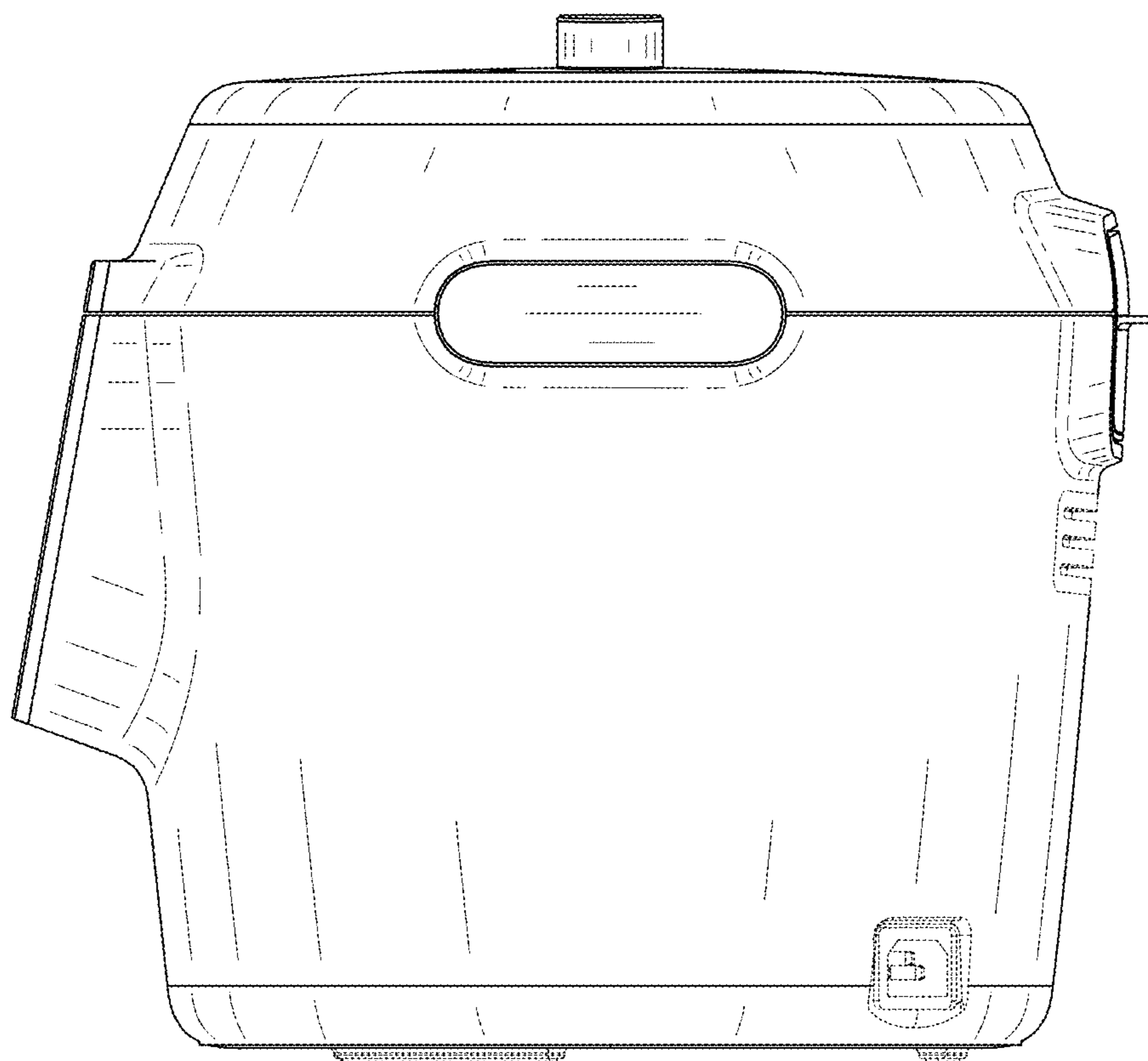


FIG. 5

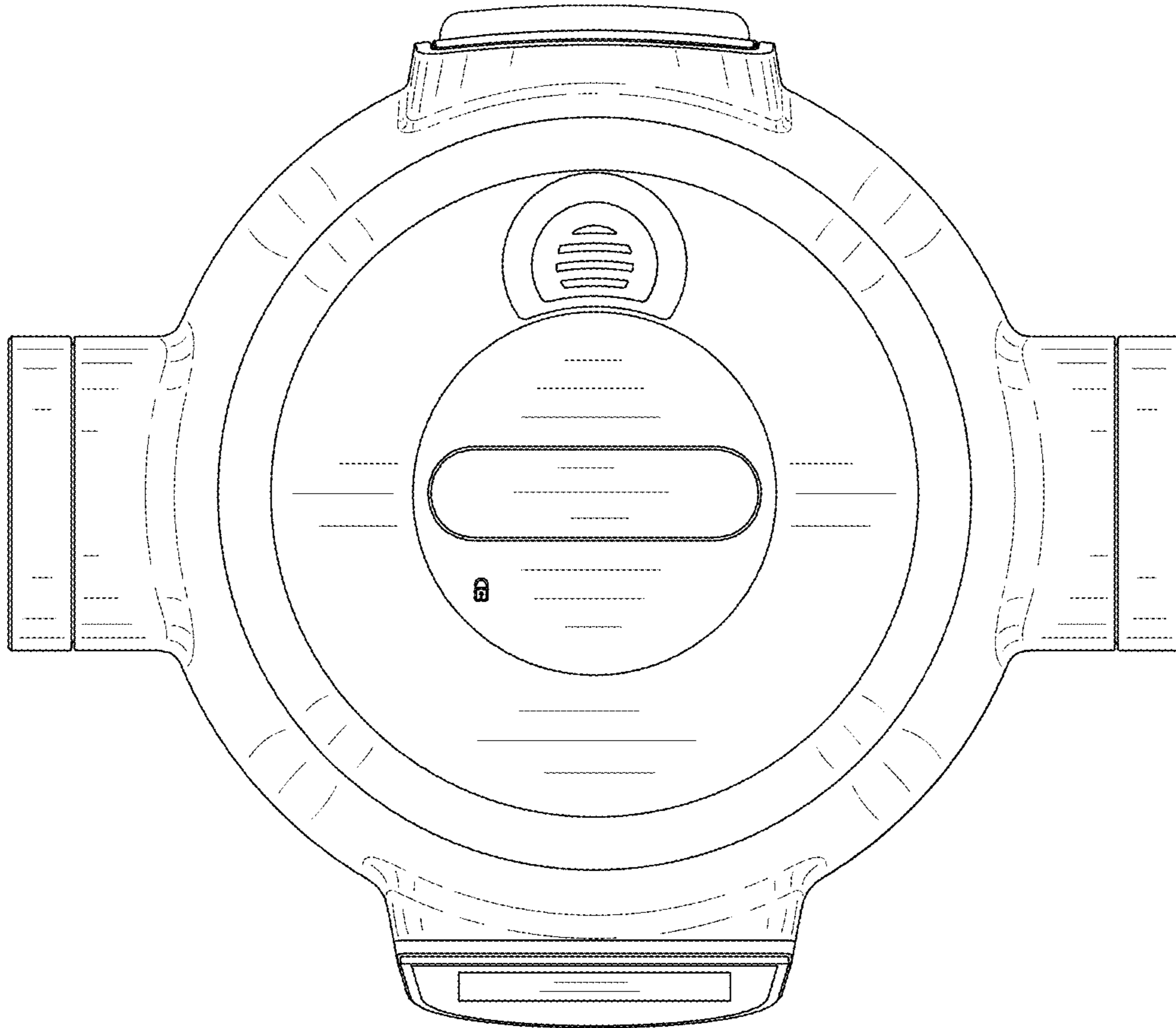


FIG. 6

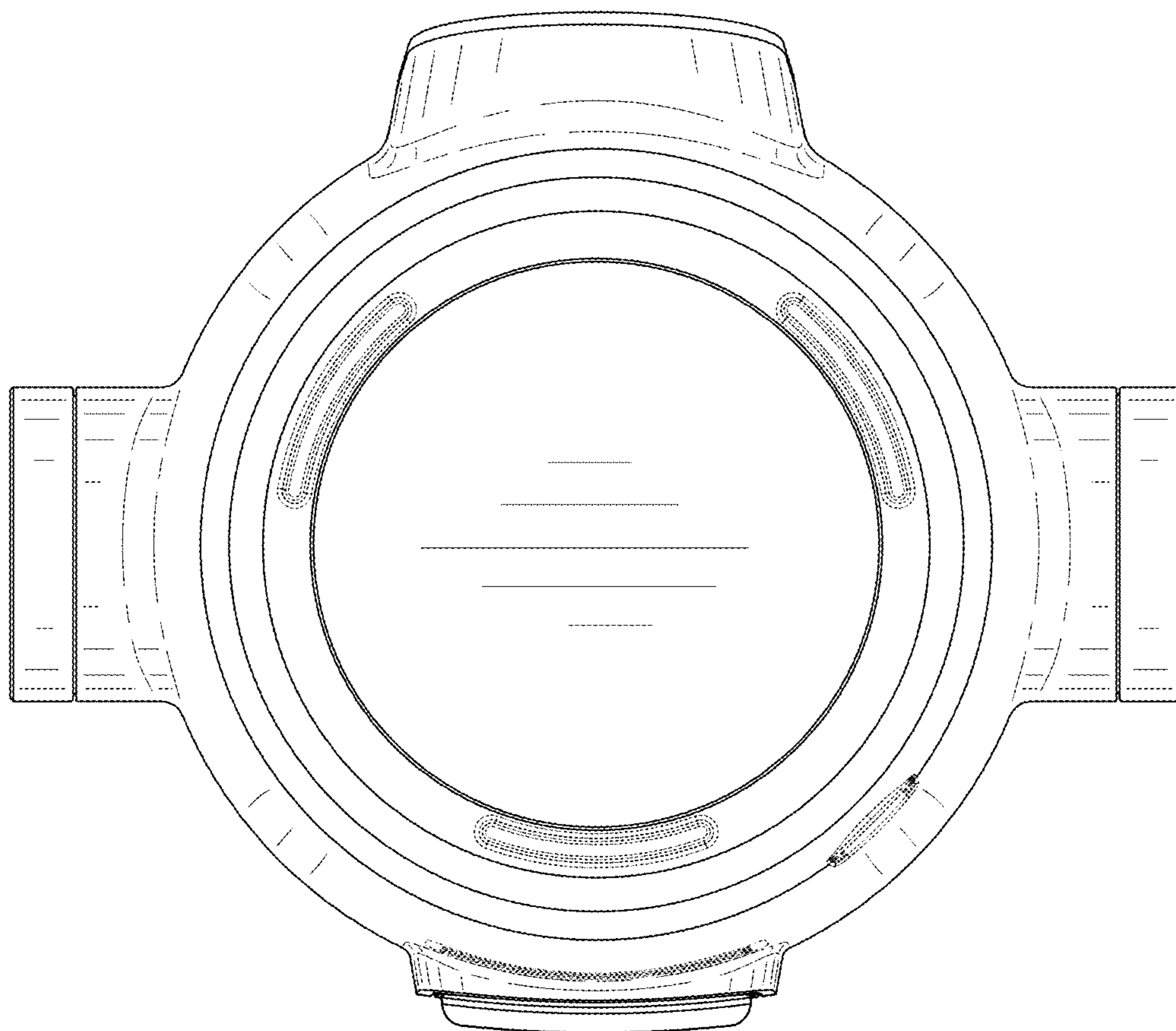


FIG. 7