



US00D907425S

(12) **United States Design Patent**
Choi et al.

(10) **Patent No.:** **US D907,425 S**
(45) **Date of Patent:** **** Jan. 12, 2021**

(54) **ELECTRIC OVEN**

- (71) Applicant: **Samsung Electronics Co., Ltd.**,
Suwon-si (KR)
- (72) Inventors: **Hwanwoong Choi**, Suwon-si (KR);
Gerhardt Kellermann, Munich (DE);
Ana Relvao, Munich (DE); **Hyunsoo Kim**,
Suwon-si (KR); **Gisung Han**, Suwon-si (KR);
Bokyeong Lee, Suwon-si (KR)
- (73) Assignee: **Samsung Electronics Co., Ltd.**,
Suwon-si (KR)

(**) Term: **15 Years**

(21) Appl. No.: **29/698,438**

(22) Filed: **Jul. 17, 2019**

(30) **Foreign Application Priority Data**

Jan. 17, 2019 (KR) 30-2019-0002639

(51) **LOC (13) Cl.** **07-02**

(52) **U.S. Cl.**
USPC **D7/349**

(58) **Field of Classification Search**
USPC D7/323, 339, 340, 341, 342, 343, 344,
D7/345, 346, 347, 348, 349, 351, 352,
(Continued)

(56) **References Cited**

U.S. PATENT DOCUMENTS

- D379,734 S * 6/1997 Baldwin D7/405
 - D478,903 S * 8/2003 Metzler D14/257
- (Continued)

FOREIGN PATENT DOCUMENTS

- CN 201730211793 12/2017
 - CN 305634616 * 7/2019
- (Continued)

OTHER PUBLICATIONS

Cosmo 24" Convection Electric Single Wall Oven, announced Dec. 8, 2015 [online], retrieved Sep. 9, 2020, retrieved from internet, <https://www.wayfair.com/appliances/pdx/cosmo-24-convection-electric-single-wall-oven-csmo1005.html>.*

(Continued)

Primary Examiner — Dana K Weiland
Assistant Examiner — Messina L Smith
(74) *Attorney, Agent, or Firm* — NSIP Law

(57) **CLAIM**

We claim the ornamental design for an electric oven, as shown and described.

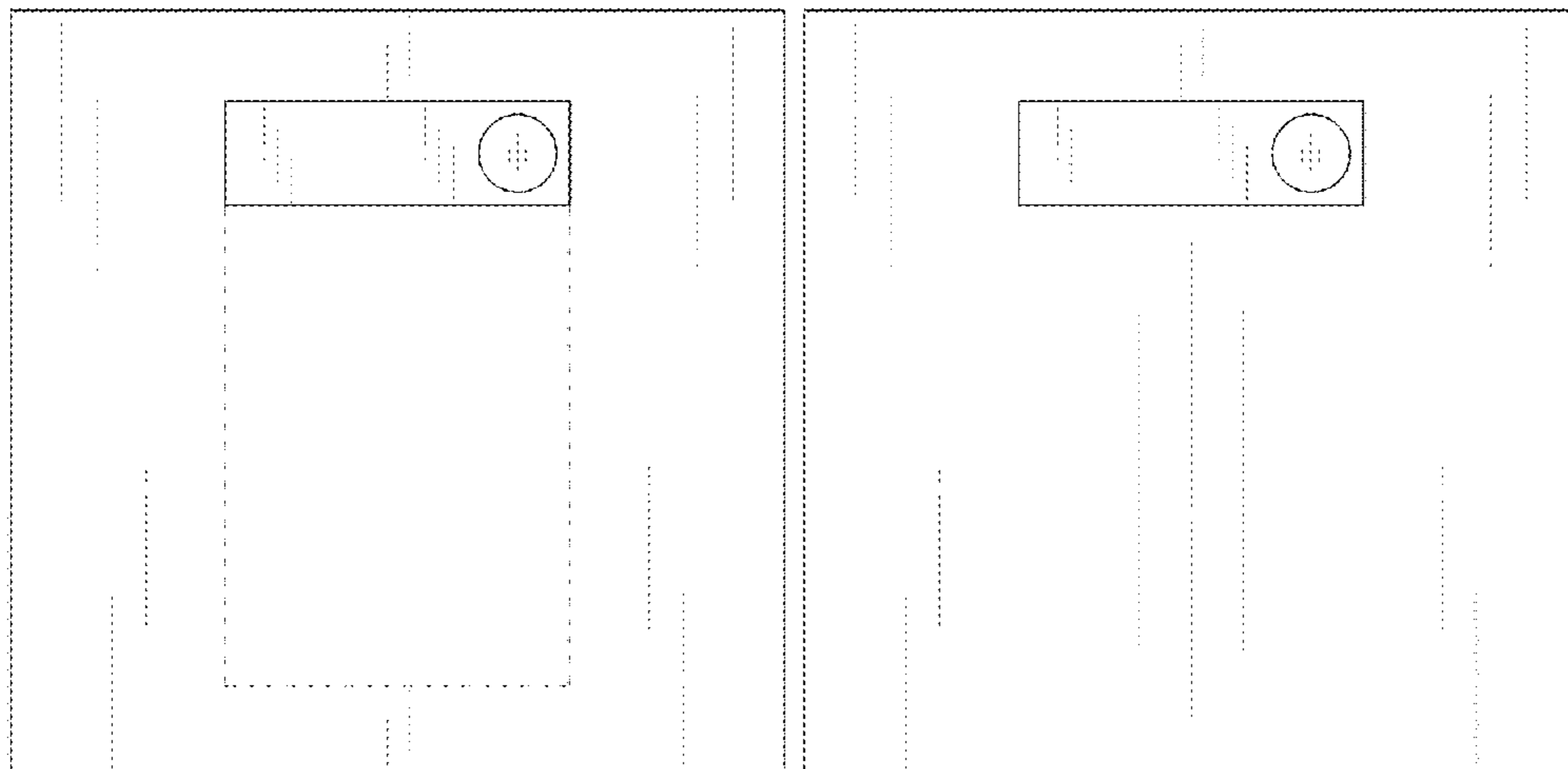
DESCRIPTION

FIG. 1 is a front perspective view of an electric oven showing our new design according to a first embodiment; FIG. 2 is a front view thereof; FIG. 3 is a rear view thereof; FIG. 4 is a left-side view thereof; FIG. 5 is a right-side view thereof; FIG. 6 is a top view thereof; FIG. 7 is a bottom view thereof; FIG. 8 is an enlarged view of the encircled portion in FIG. 1;

FIG. 9 is a front perspective view of an electric oven showing our new design according to a second embodiment; FIG. 10 is a front view thereof; FIG. 11 is a rear view thereof; FIG. 12 is a left-side view thereof; FIG. 13 is a right-side view thereof; FIG. 14 is a top view thereof; FIG. 15 is a bottom view thereof; and, FIG. 16 is an enlarged view of the encircled portion in FIG. 9.

The broken lines in the figures depict portions of the electric oven that form no part of the claimed design.

(Continued)



The dot-dash broken lines encircling portions of the claimed design that are illustrated in enlargements form no part of the claimed design.

1 Claim, 16 Drawing Sheets

(58) Field of Classification Search

USPC D7/354, 356, 359, 360, 361, 388, 390,
D7/402, 403, 404, 405, 406, 407, 408,
D7/409; D21/523, 524; D14/358, 142,
D14/188, 257
CPC A21B 1/00; A21B 1/52; A21B 5/00; A21B
5/023; A21B 3/13; A21B 3/131; A21B
3/132; A21B 3/133; A21B 3/138; A21B
3/15; A47J 37/00; A47J 37/04; A47J
37/06; A47J 37/0623; A47J 37/0611;
A47J 37/067; A47J 37/0605; A47J
37/0629; A47J 37/0676; A47J 27/60;
A47J 27/62; A47J 36/022; A47J 36/025;
A47J 36/027; A47G 19/02; A47G 19/027;
A47G 19/22; F24C 1/00; F24C 3/00;
F24C 3/002; F24C 3/008; F24C 5/00;
F24C 7/00; F24C 7/002; F24C 7/043;
F24C 7/062; F24C 11/00; F24C 15/02;
F24C 15/04; F24C 15/10

See application file for complete search history.

(56) References Cited

U.S. PATENT DOCUMENTS

D542,588 S * 5/2007 Jeon D7/350.1
D578,998 S * 10/2008 Natori D14/188
D646,113 S * 10/2011 Park D7/348
D651,460 S * 1/2012 Sadtler D7/405
D668,107 S * 10/2012 Borjesson D7/405
D668,108 S * 10/2012 Borjesson D7/405
D668,111 S * 10/2012 Borjesson D7/406
D668,112 S * 10/2012 Borjesson D7/406
D675,594 S * 2/2013 Lee D14/188
D678,721 S * 3/2013 Roberson D7/405
D724,887 S * 3/2015 Lee D7/339
D724,888 S * 3/2015 Lee D7/340
D728,300 S * 5/2015 Borjesson D7/349
D738,672 S * 9/2015 Baacke D7/348
D748,424 S * 2/2016 Funnell, II D7/348
D750,414 S * 3/2016 Funnell, II D7/348
D751,854 S * 3/2016 Funnell, II D7/349
D762,086 S * 7/2016 Kim D7/405
D762,415 S * 8/2016 Chung D7/405
D766,867 S * 9/2016 Shigematsu D14/188
D773,892 S * 12/2016 Miron D7/405

D779,262 S * 2/2017 Kim D7/348
D781,636 S * 3/2017 Kim D7/348
D784,065 S * 4/2017 Goss D7/349
D787,878 S * 5/2017 Kim D7/348
D787,879 S * 5/2017 Kim D7/348
D805,833 S * 12/2017 Baacke D7/348
D814,231 S * 4/2018 Kim D7/349
D825,008 S * 8/2018 Follett D21/524
D828,090 S * 9/2018 Kim D7/405
10,066,839 B2 * 9/2018 Lee F24C 15/006
D829,484 S * 10/2018 Kim D7/348
D836,965 S * 1/2019 Goss D7/347
D853,188 S * 7/2019 Kim D7/405
D856,737 S * 8/2019 Bae D7/328
D859,055 S * 9/2019 Baacke D7/348
D861,426 S * 10/2019 Kang D7/405
D866,253 S * 11/2019 Moretti D7/405
D881,836 S * 4/2020 McWilliam D14/188
D889,187 S * 7/2020 Goss D7/347
D895,567 S * 9/2020 McWilliam D14/188
2009/0032010 A1 * 2/2009 Hoffmeier F24C 15/006
126/198
2012/0298095 A1 * 11/2012 Saporetti F24C 15/024
126/192
2016/0033143 A1 * 2/2016 Lee F24C 15/04
126/198
2017/0205080 A1 * 7/2017 Kuhn F24C 15/04
2018/0003395 A1 * 1/2018 Reinhard-Herrscher
F24C 7/086
2019/0257526 A1 * 8/2019 Streitwieser F24C 15/02
2019/0316779 A1 * 10/2019 Yun F24C 15/02
2020/0033009 A1 * 1/2020 Lee A47J 37/0641

FOREIGN PATENT DOCUMENTS

EM 000586813-0003 10/2006
EM 001341473-0003 9/2012
EM 001341473-0015 9/2012
EM 001341598-0003 9/2012

OTHER PUBLICATIONS

30" M Series Professional Built-In Single Oven, no announcement date [online], retrieved Sep. 9, 2020, retrieved from internet, <https://www.subzero-wolf.com/wolf/ovens/m-series/30-inch-m-series-professional-built-in-single-oven>.*

3D Samsung electric oven NV9900J and compact oven, announced Apr. 22, 2017 [online], retrieved Sep. 9, 2020, retrieved from internet, <https://www.turbosquid.com/3d-models/3d-samsung-nv9900j-electric-oven-1150147>.*

Miele Single Electric Oven 3D model, announced Jan. 9, 2014 [online], retrieved Sep. 9, 2020, retrieved from internet, <https://www.cgtrader.com/3d-models/household/kitchenware/miele-single-electric-oven>.*

* cited by examiner

FIG. 1

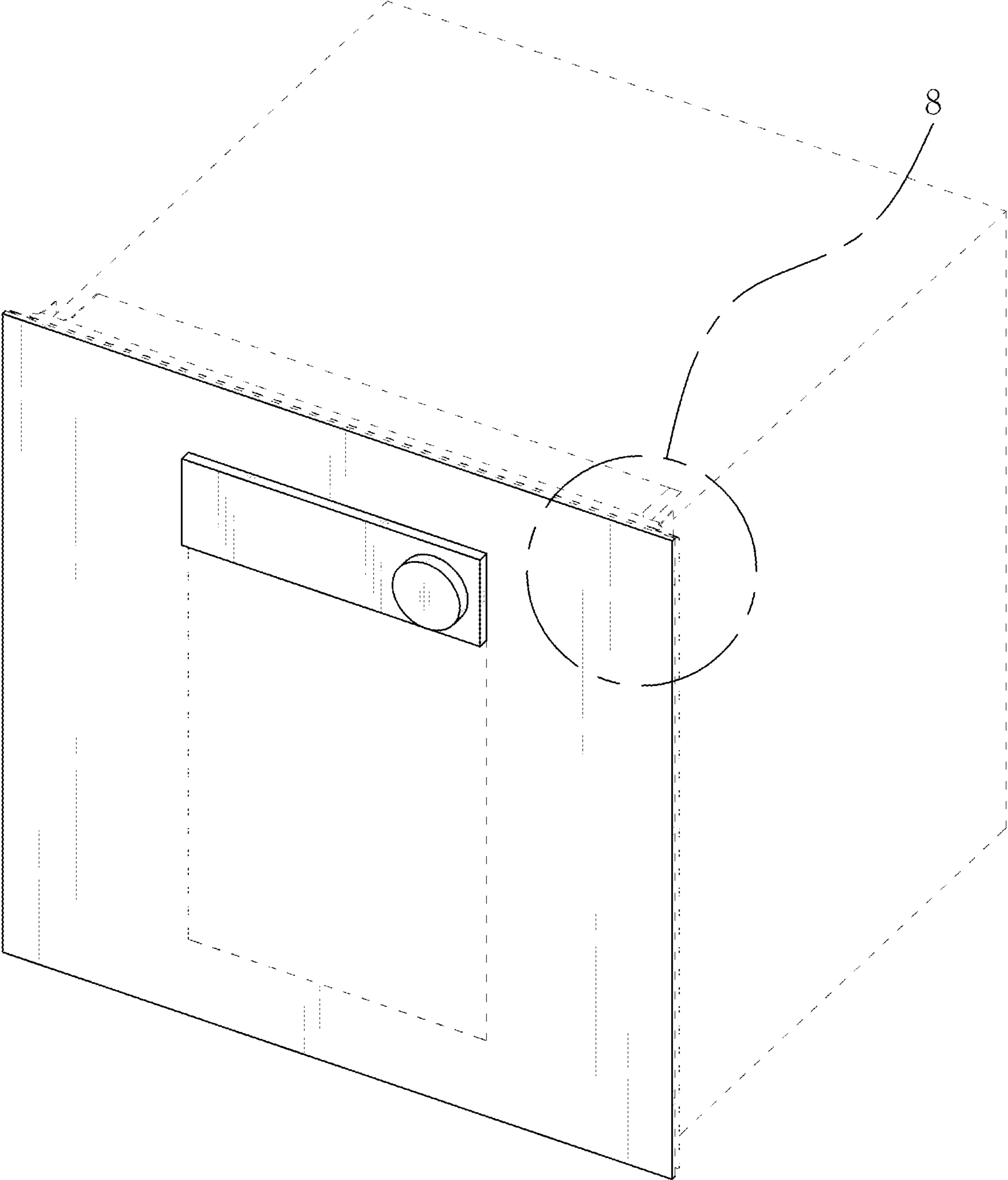


FIG. 2

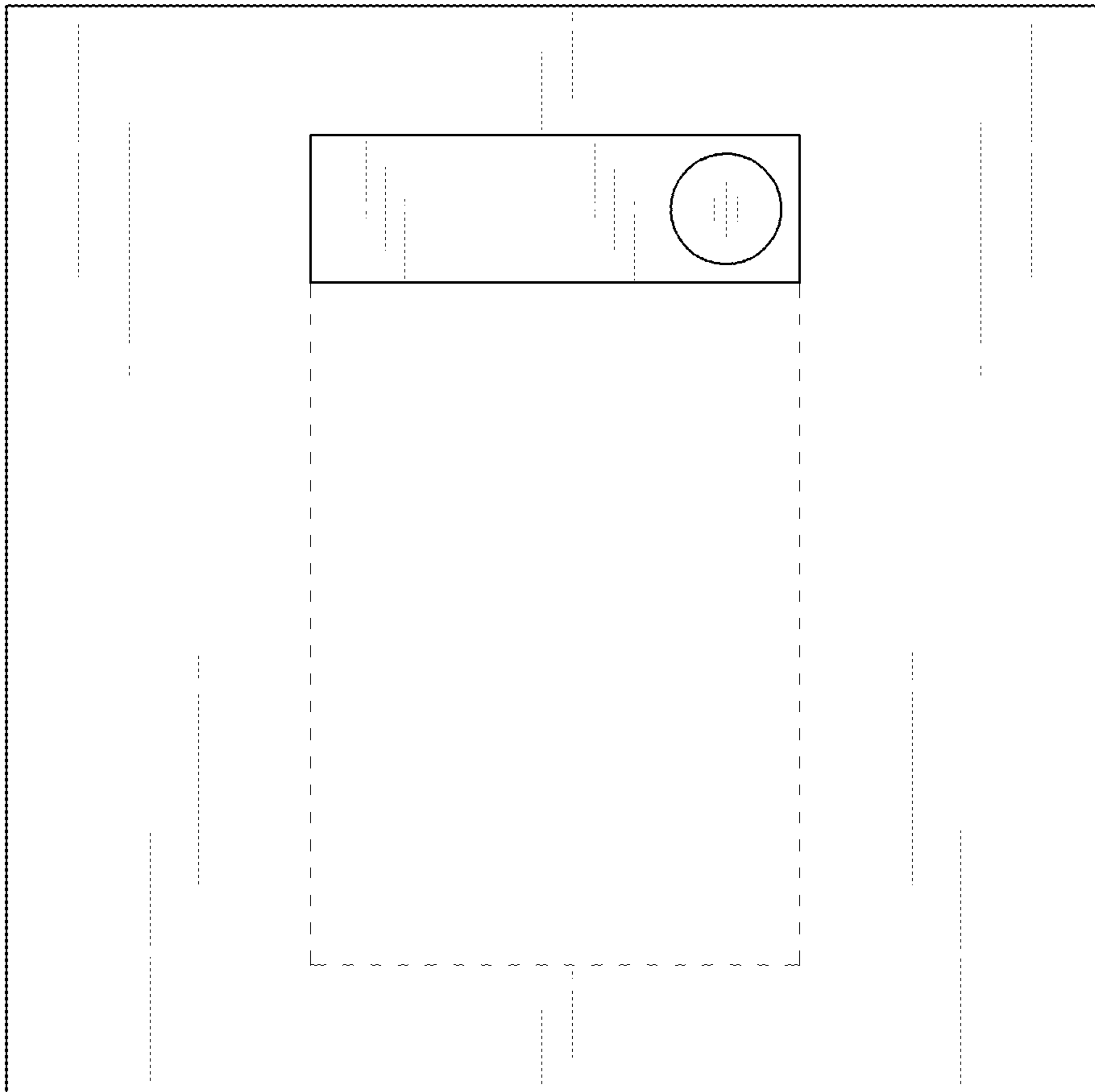


FIG. 3

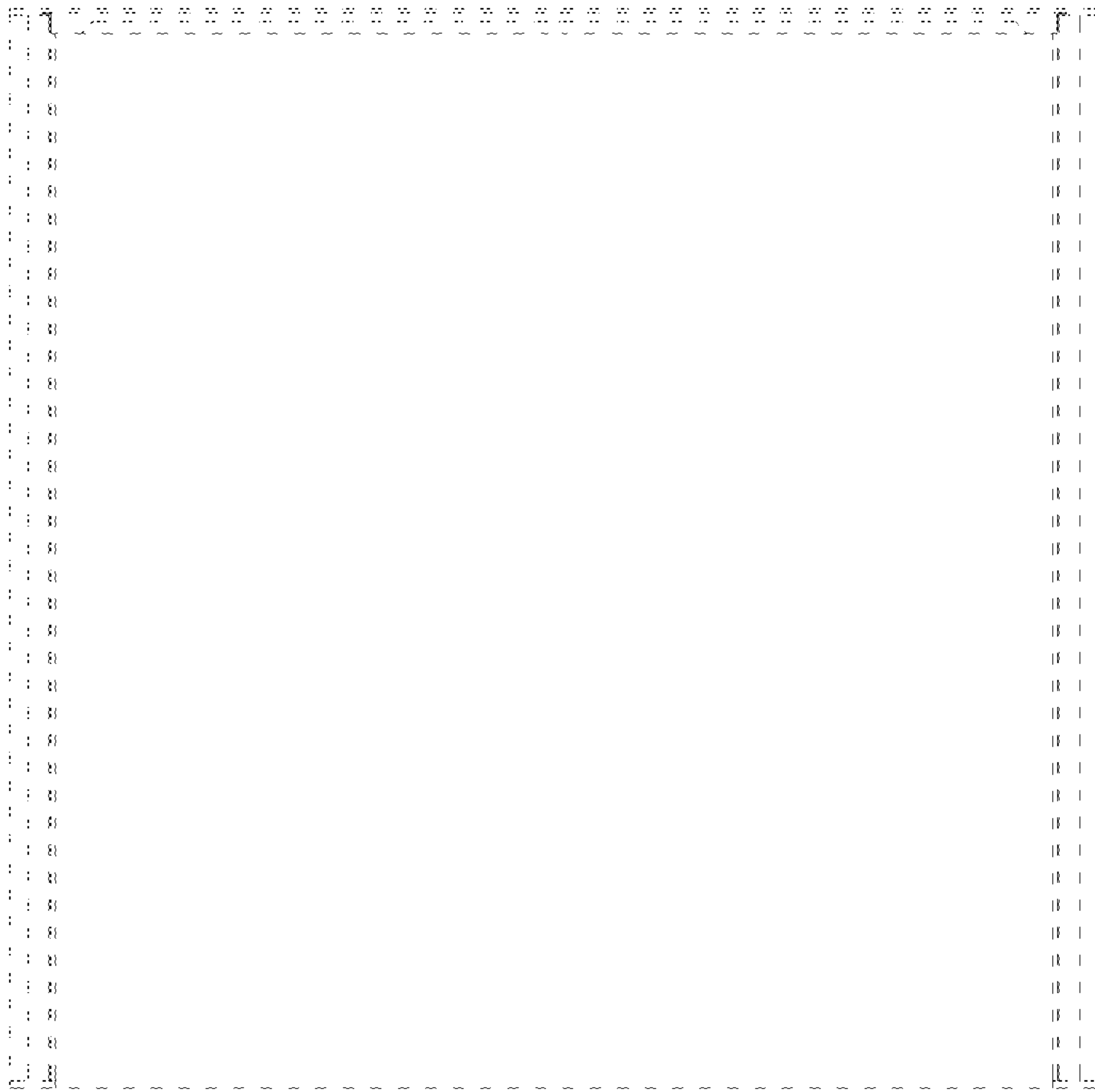


FIG. 4

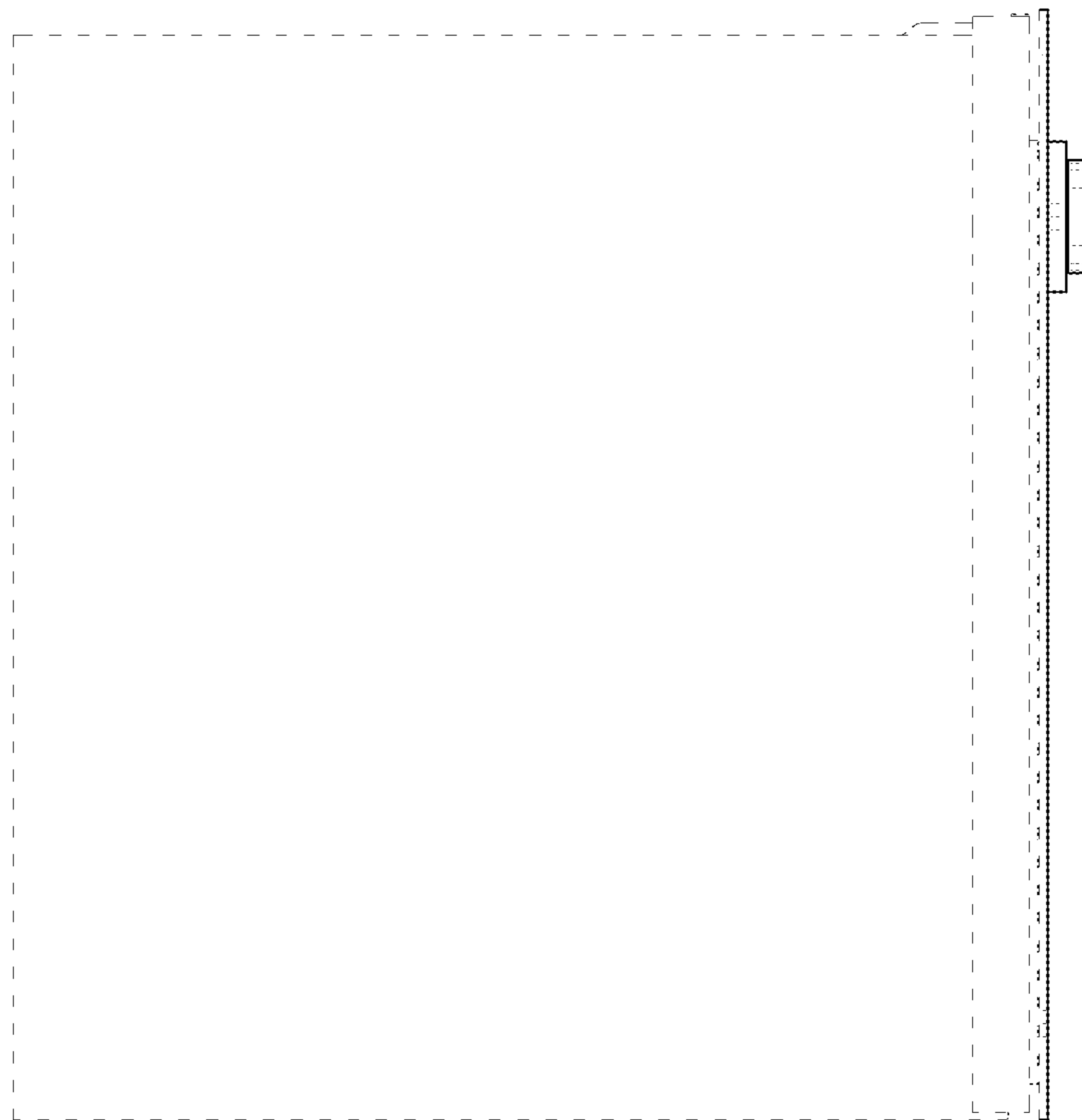


FIG. 5

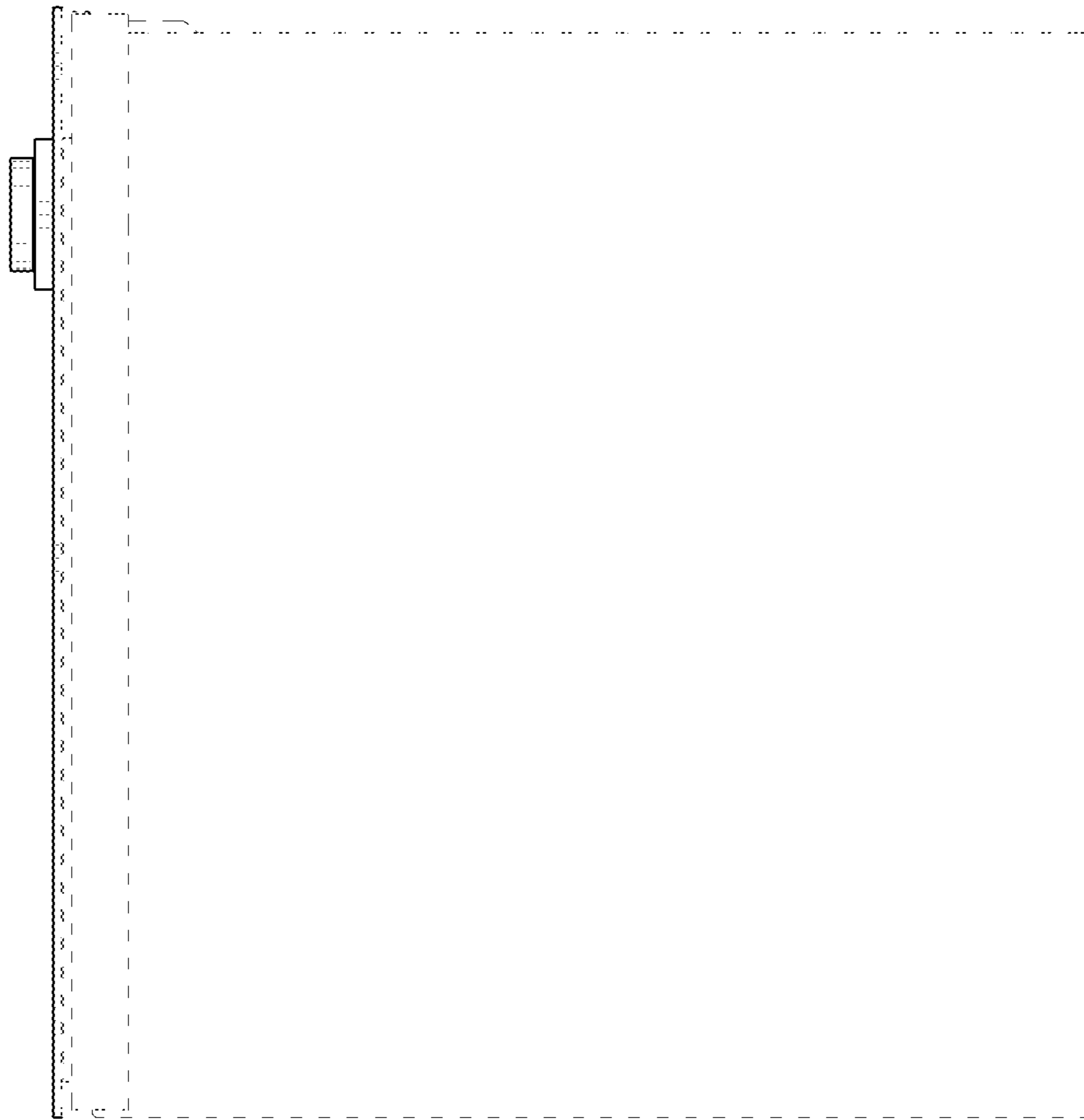


FIG. 6

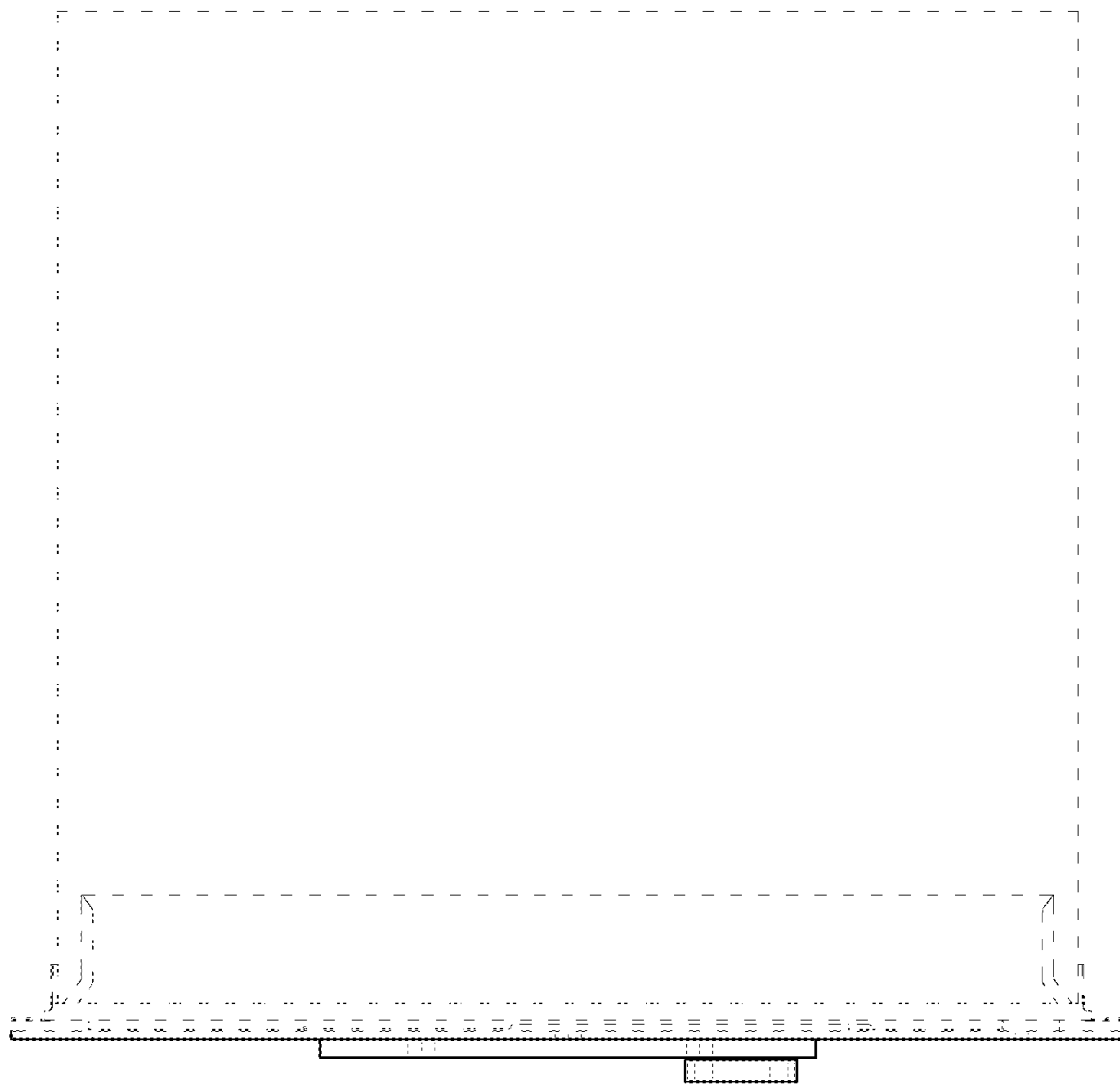


FIG. 7

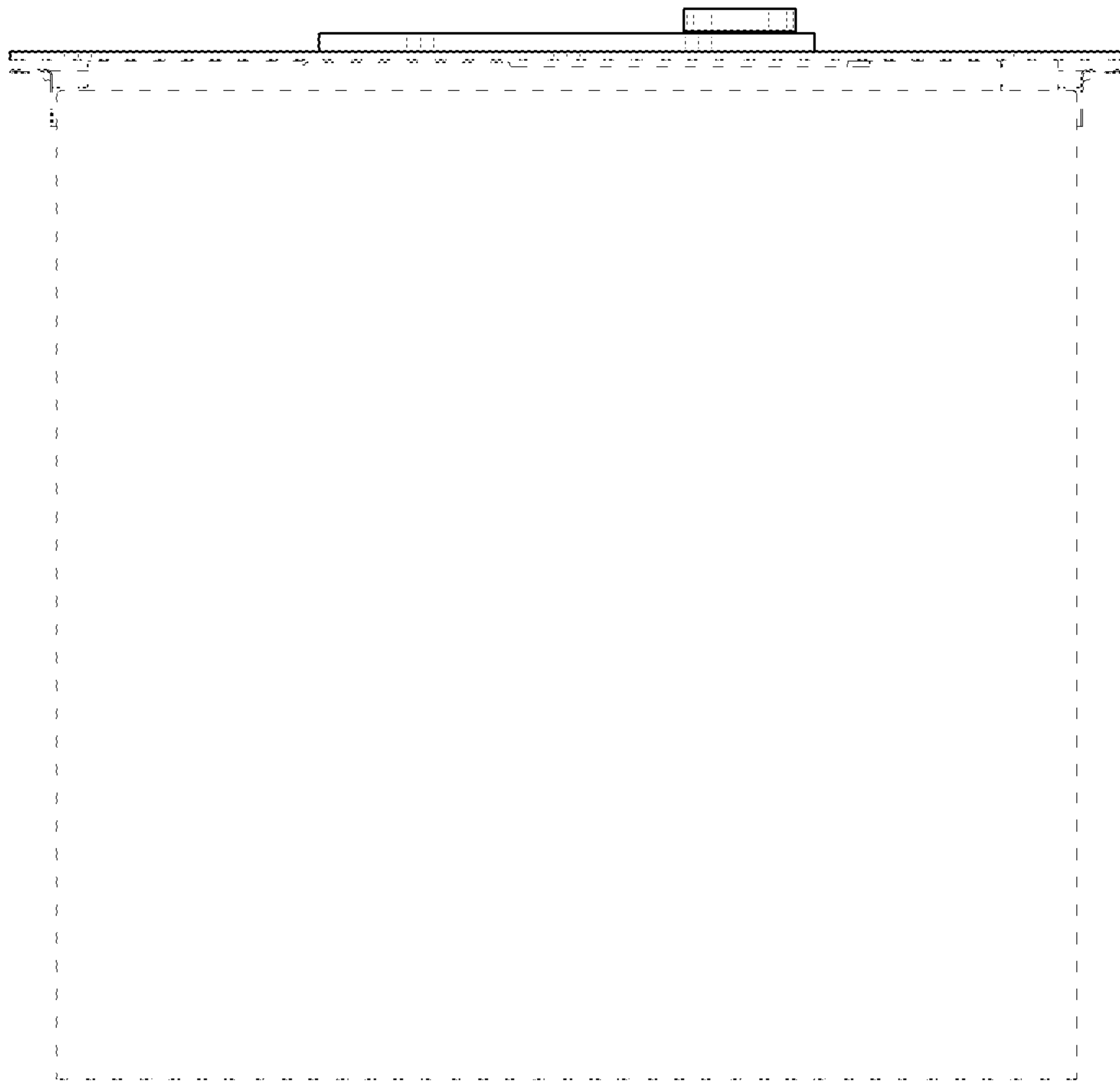


FIG. 8

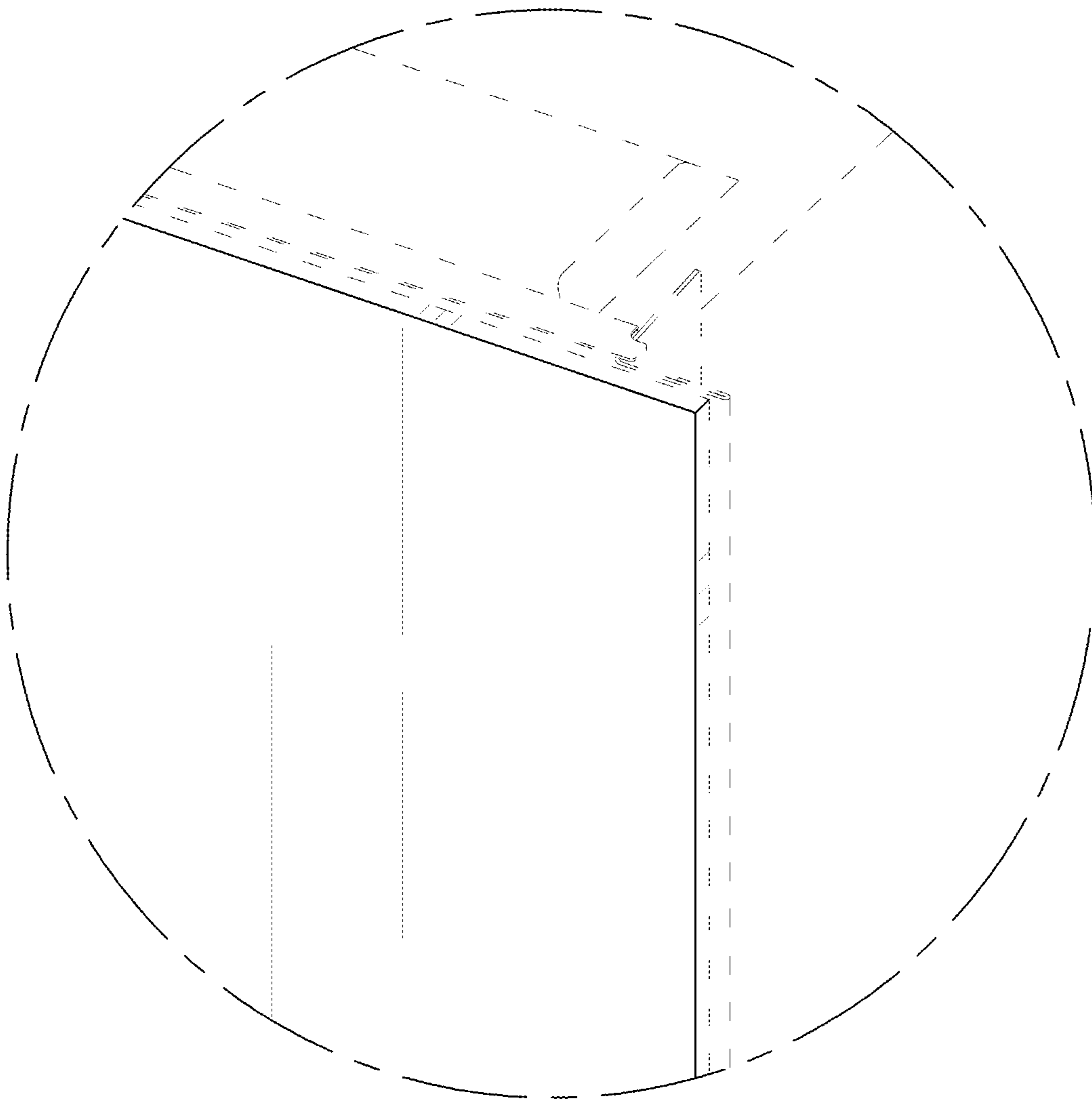


FIG. 9

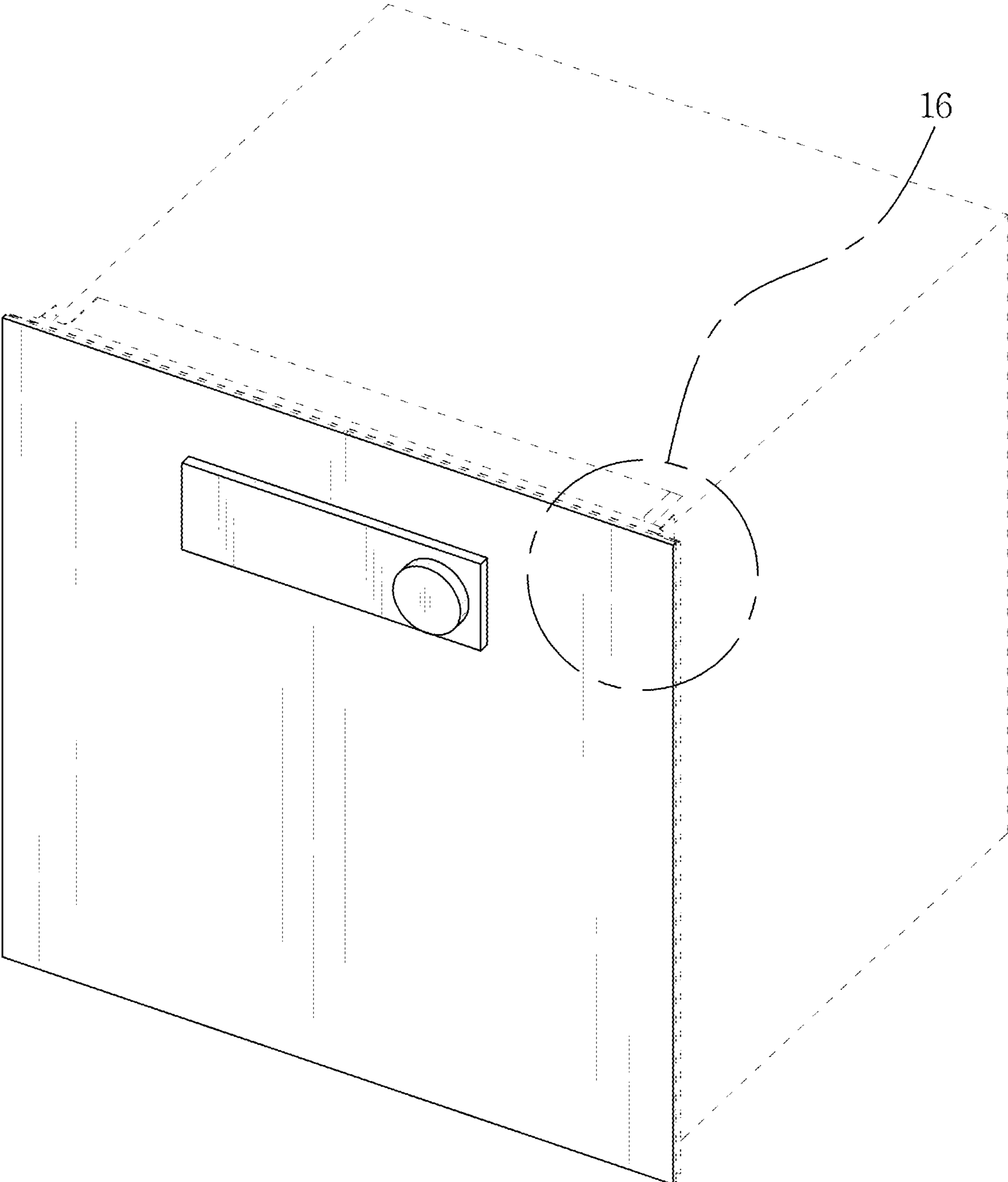


FIG. 10

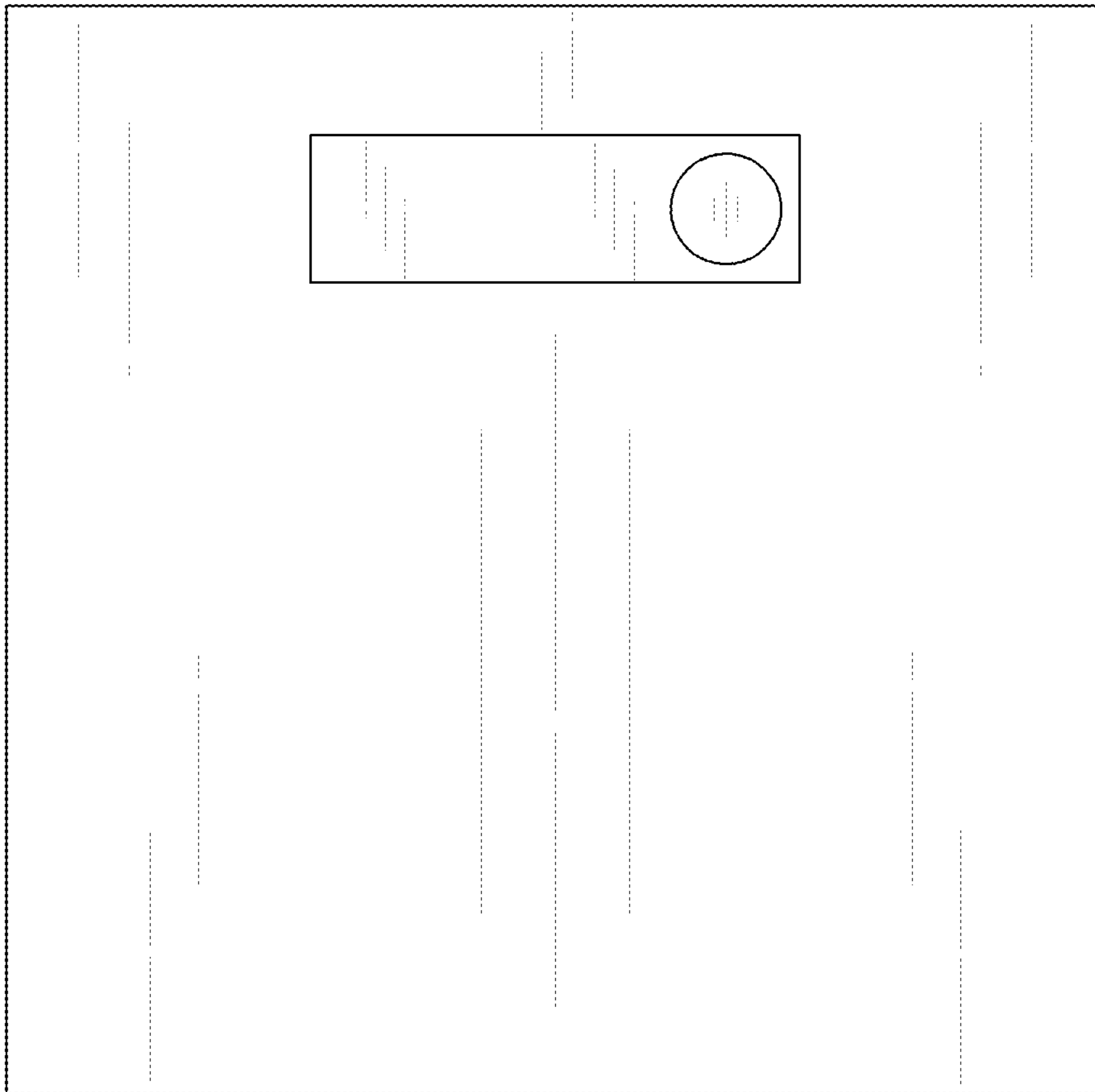


FIG. 11

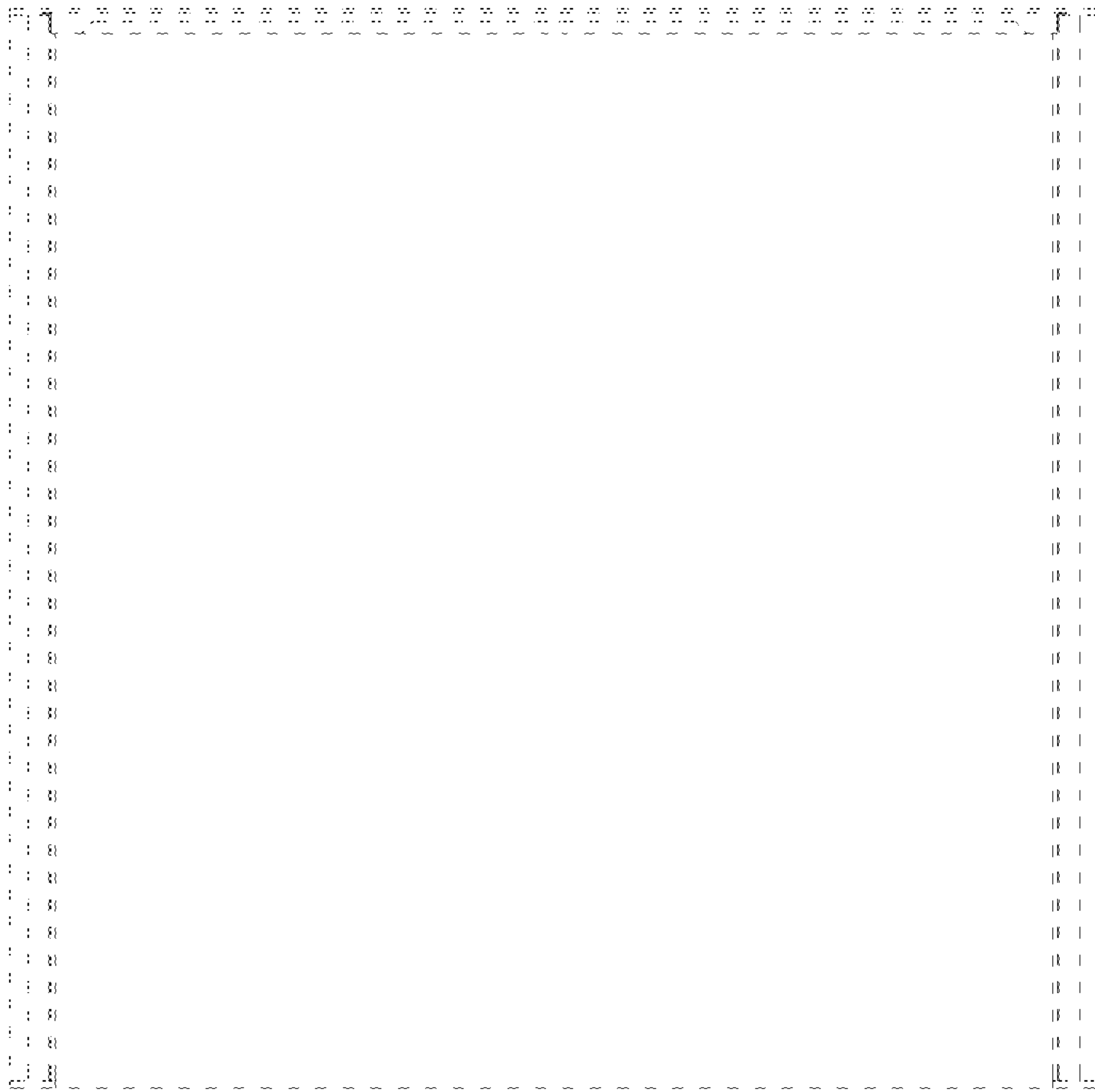


FIG. 12

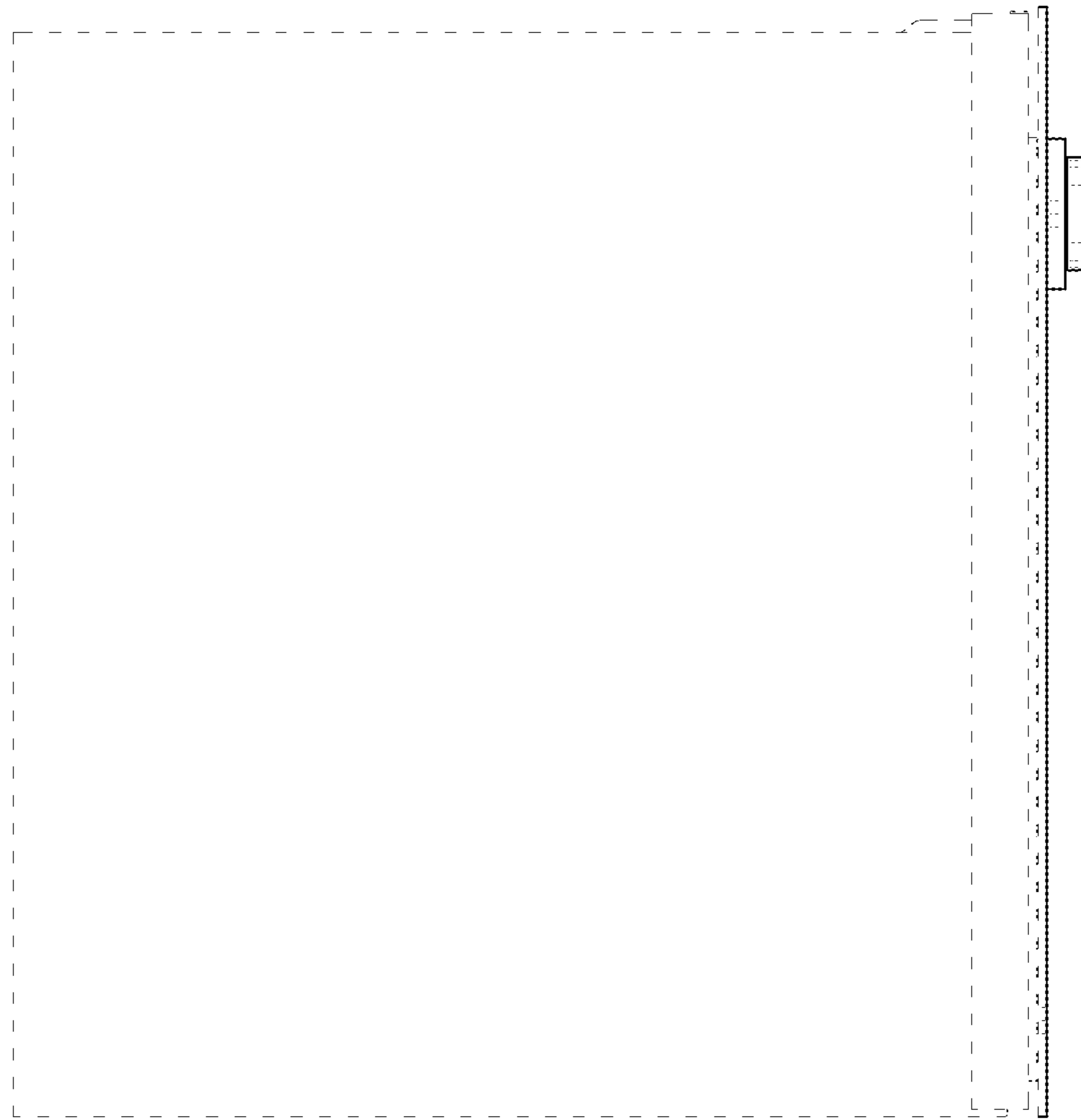


FIG. 13

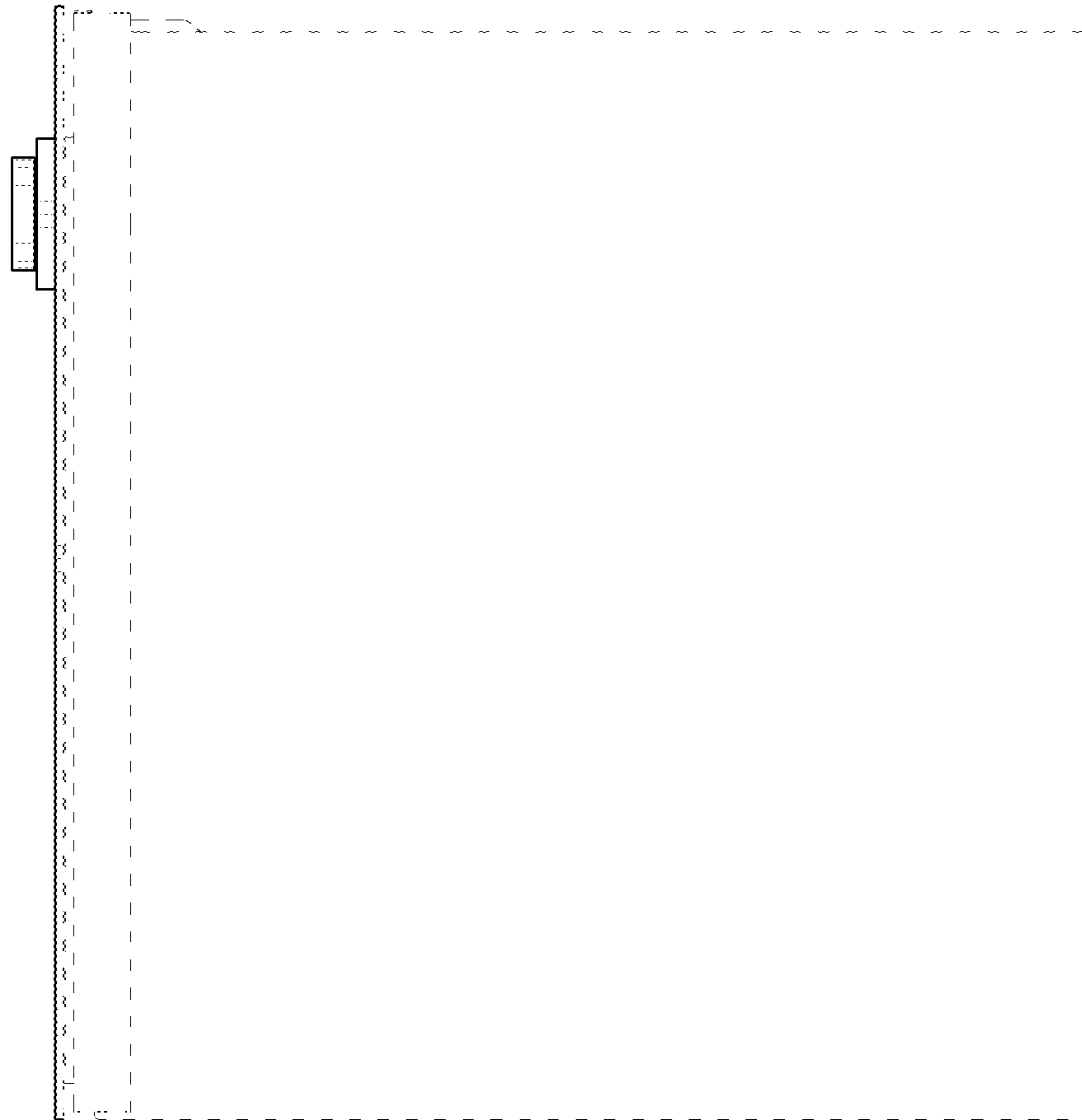


FIG. 14

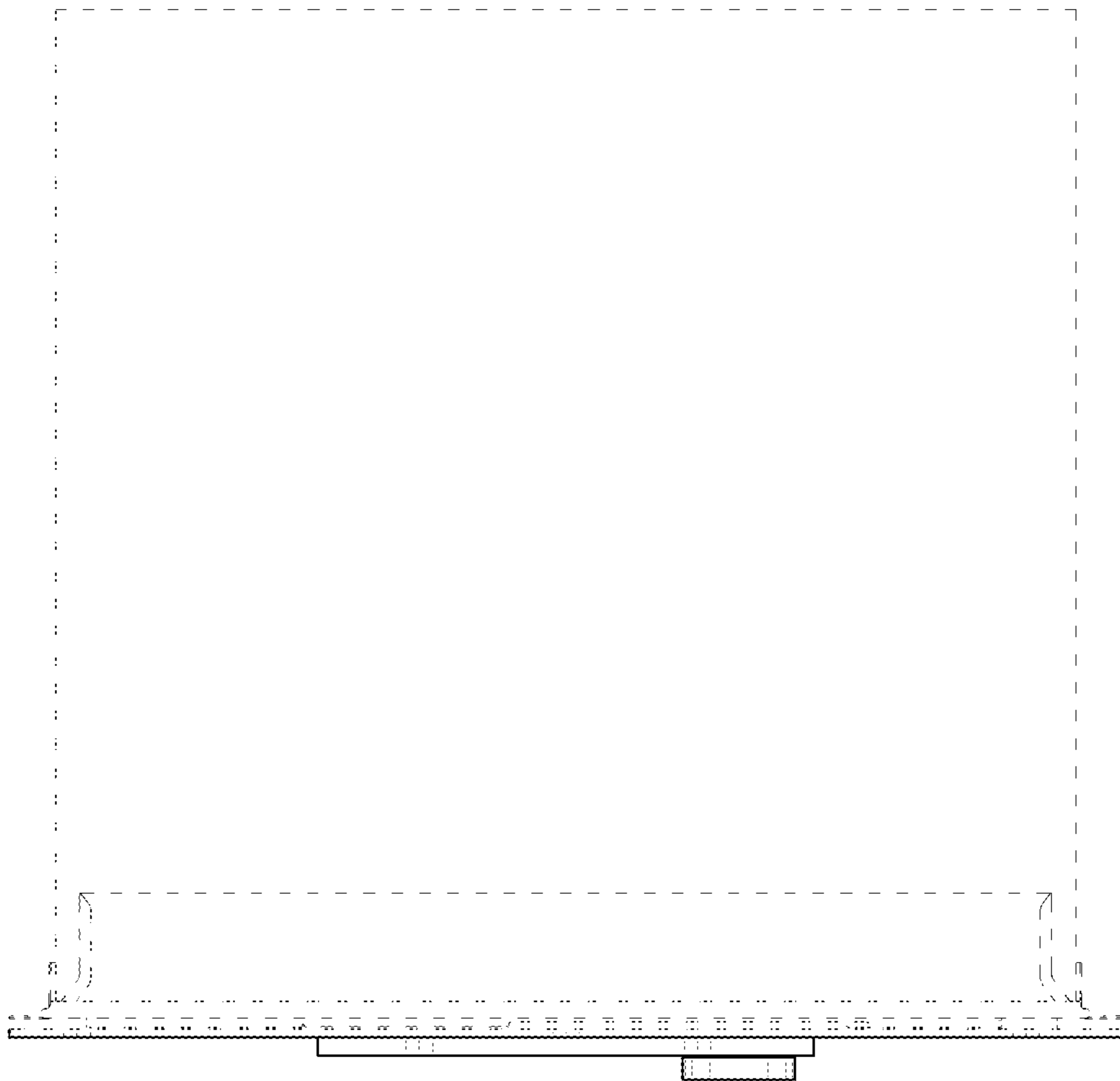


FIG. 15

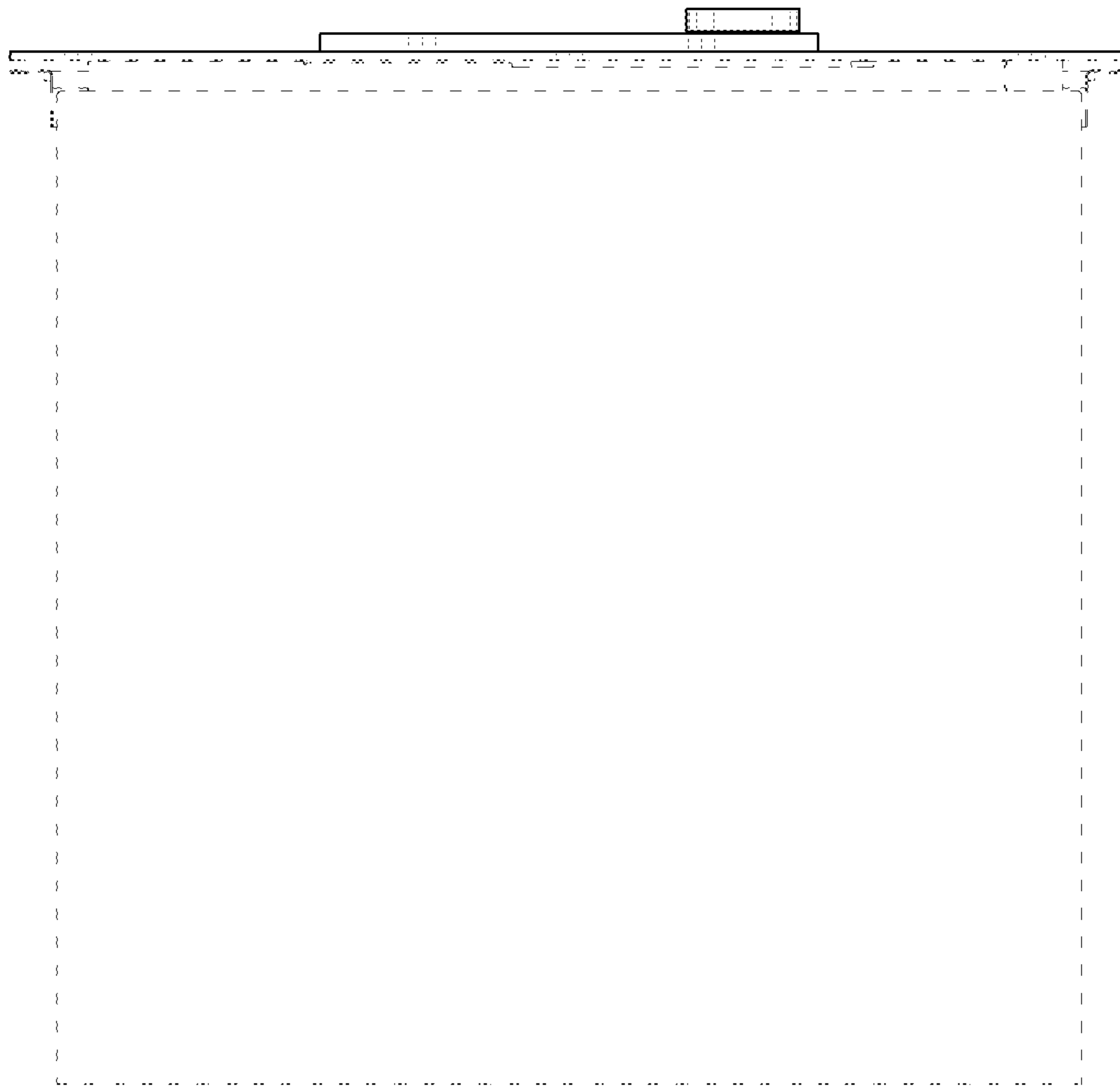


FIG. 16

