



US00D907423S

(12) **United States Design Patent** (10) **Patent No.:** **US D907,423 S**
Cross et al. (45) **Date of Patent:** **** Jan. 12, 2021**

(54) **CHAIR**

(71) Applicant: **HERMAN MILLER, INC.**, Zeeland, MI (US)

(72) Inventors: **Eric D. Cross**, Edinburgh (GB);
Martin Potrykus, Bamberg (DE);
Mugi D. Yamamoto, Cham (CH);
Armin Sander, Fuerth (DE)

(73) Assignee: **HERMAN MILLER, INC.**, Zeeland, MI (US)

(**) Term: **15 Years**

(21) Appl. No.: **29/692,258**

(22) Filed: **May 23, 2019**

(51) **LOC (13) Cl.** **06-06**

(52) **U.S. Cl.**
USPC **D6/716.4**

(58) **Field of Classification Search**
USPC D6/334, 344, 348, 364, 366, 369, 370,
D6/371, 373, 381, 708, 716, 375, 716.3,
D6/376, 379, 716.4; D21/521, 695
CPC A47C 3/029; A47C 3/027; A47C 3/02;
A47C 3/04; A47C 3/12; A47C 4/03;
A47C 4/04; A47C 5/12; A47C 7/18;
A47C 1/0246; A47C 7/44; A47C 1/00;
A47C 1/024; A47C 3/00; A47C 3/20;
A47C 4/00; A47C 4/02; A47C 4/021;
A47C 7/021; A47C 7/004; A47C 7/006;
A47C 7/40; A47C 7/46; A47C 7/54;
A47C 7/402; A47C 7/441; A47C 7/443;
A47C 7/445; A47C 7/467; A47C 7/543;
A47C 9/002; A47C 31/126; A47D 13/10;
Y10S 297/01; A63B 26/00; A63B
2225/62; A63B 2210/50; A63B 26/003;
A63B 21/1609; A63G 9/10; B60N 2/02
See application file for complete search history.

(56) **References Cited**

U.S. PATENT DOCUMENTS

D112,348 S	*	11/1938	O'Connor	D6/716.4
D471,370 S		3/2003	Schmitz et al.		
D490,994 S		6/2004	Schmitz et al.		
D494,792 S		8/2004	Schmitz et al.		
D559,571 S	*	1/2008	Meda	D6/366
D559,572 S	*	1/2008	Igarashi	D6/366
D597,331 S	*	8/2009	Neil	D6/366
D604,969 S	*	12/2009	Parker	D6/716.4
D622,985 S	*	9/2010	Kubryk	D6/716

(Continued)

OTHER PUBLICATIONS

Joe Parr Design, "Verus Chair" <<http://joeparrdesign.com/verus-task-chair/>> web page publicly available at least as early as Aug. 21, 2018.

Primary Examiner — Kevin K Rudzinski

Assistant Examiner — Paul D Bohannon

(74) *Attorney, Agent, or Firm* — Michael Best & Friedrich LLP

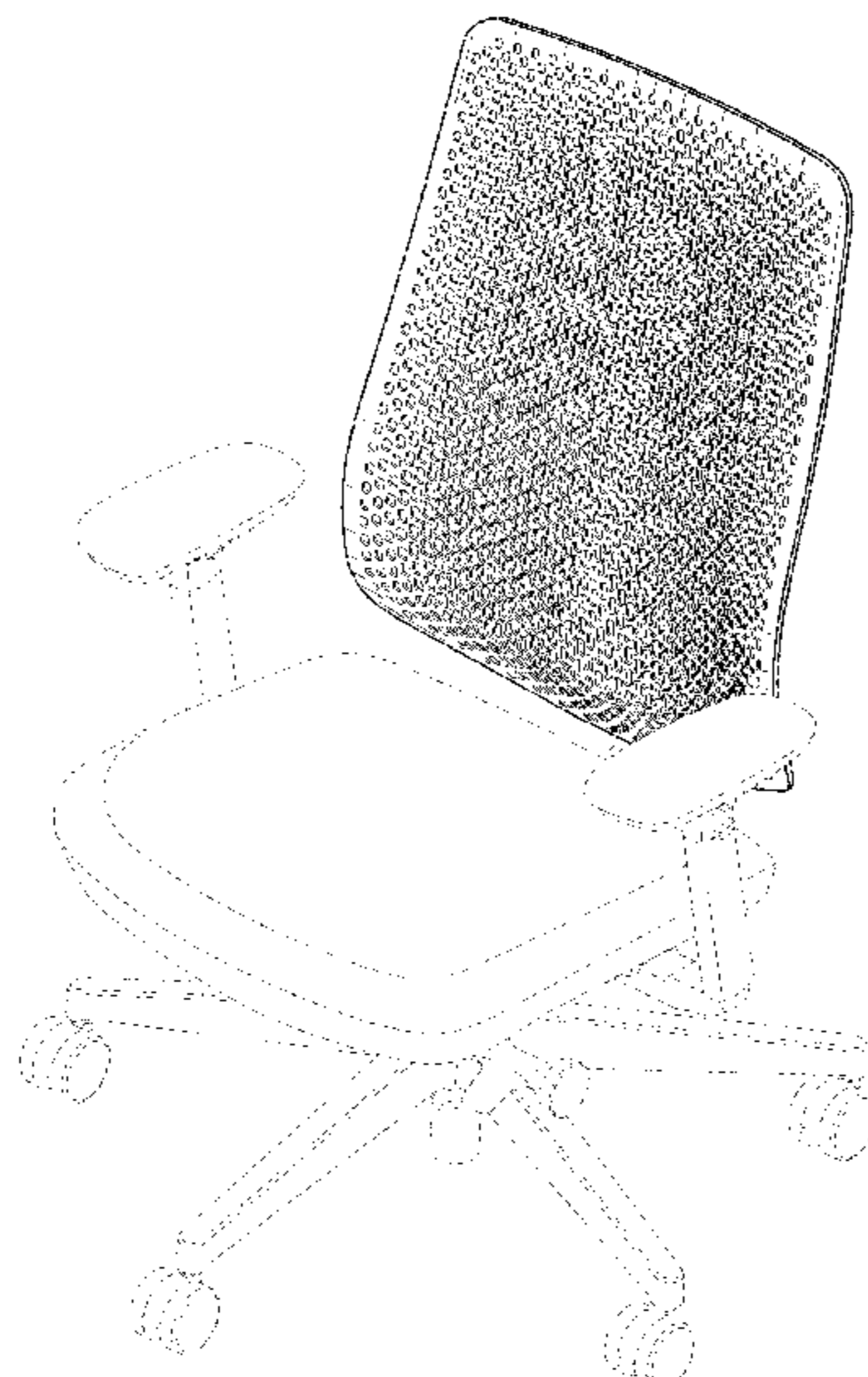
(57) **CLAIM**

We claim the ornamental design for a chair, as shown and described.

DESCRIPTION

FIG. 1 is a front perspective view of a chair according to one embodiment of the invention.
FIG. 2 is a rear perspective view of the chair shown in FIG. 1.
FIG. 3 is a first side view of the chair of FIG. 1.
FIG. 4 is a second side view of the chair of FIG. 1.
FIG. 5 is a front view of the chair of FIG. 1.
FIG. 6 is a rear view of the chair of FIG. 1.
FIG. 7 is a top view of the chair of FIG. 1; and,
FIG. 8 is a bottom view of the chair of FIG. 1.
Portions of the chair shown in broken lines are for illustrative purposes only and form no part of the claimed design.

1 Claim, 8 Drawing Sheets



(56)

References Cited

U.S. PATENT DOCUMENTS

D627,983	S	*	11/2010	Wakasugi	D6/366
D641,574	S	*	7/2011	Su	D6/716.4
D643,641	S	*	8/2011	Figueroa	D6/366
D643,642	S	*	8/2011	Figueroa	D6/366
D644,862	S	*	9/2011	Gaschy	D6/716
D665,592	S	*	8/2012	Citterio	D6/366
D669,713	S	*	10/2012	Hsieh	D6/716.4
D702,977	S	*	4/2014	Bonneywell	D6/716
D703,457	S		4/2014	Plikat et al.		
D723,851	S		3/2015	Plikat et al.		
D724,879	S	*	3/2015	Su	D6/716.4
D754,998	S	*	5/2016	Saotome	D6/716.4
D756,695	S	*	5/2016	Hurford	D6/716.4
D761,049	S	*	7/2016	Pan	D6/716.4
D772,592	S	*	11/2016	Su	D6/366
D773,199	S	*	12/2016	Neil	D6/366
D773,200	S	*	12/2016	Hailong	D6/366
D777,494	S	*	1/2017	Prestwich	D6/716.4
D795,602	S	*	8/2017	Neil	D6/366
D798,093	S	*	9/2017	Pan	D6/716.4
D799,843	S	*	10/2017	Chen	D6/366
D802,953	S	*	11/2017	Meda	D6/366
D816,362	S	*	5/2018	Su	D6/366
D832,017	S	*	10/2018	Chadwick	D6/716
D837,553	S	*	1/2019	Meda	D6/366
D841,340	S	*	2/2019	Chadwick	D5/54
D844,358	S	*	4/2019	Chadwick	D6/716.4
D870,479	S	*	12/2019	Deevers	D6/366
2018/0058032	A1	*	3/2018	Harazim	E02D 29/1463

* cited by examiner

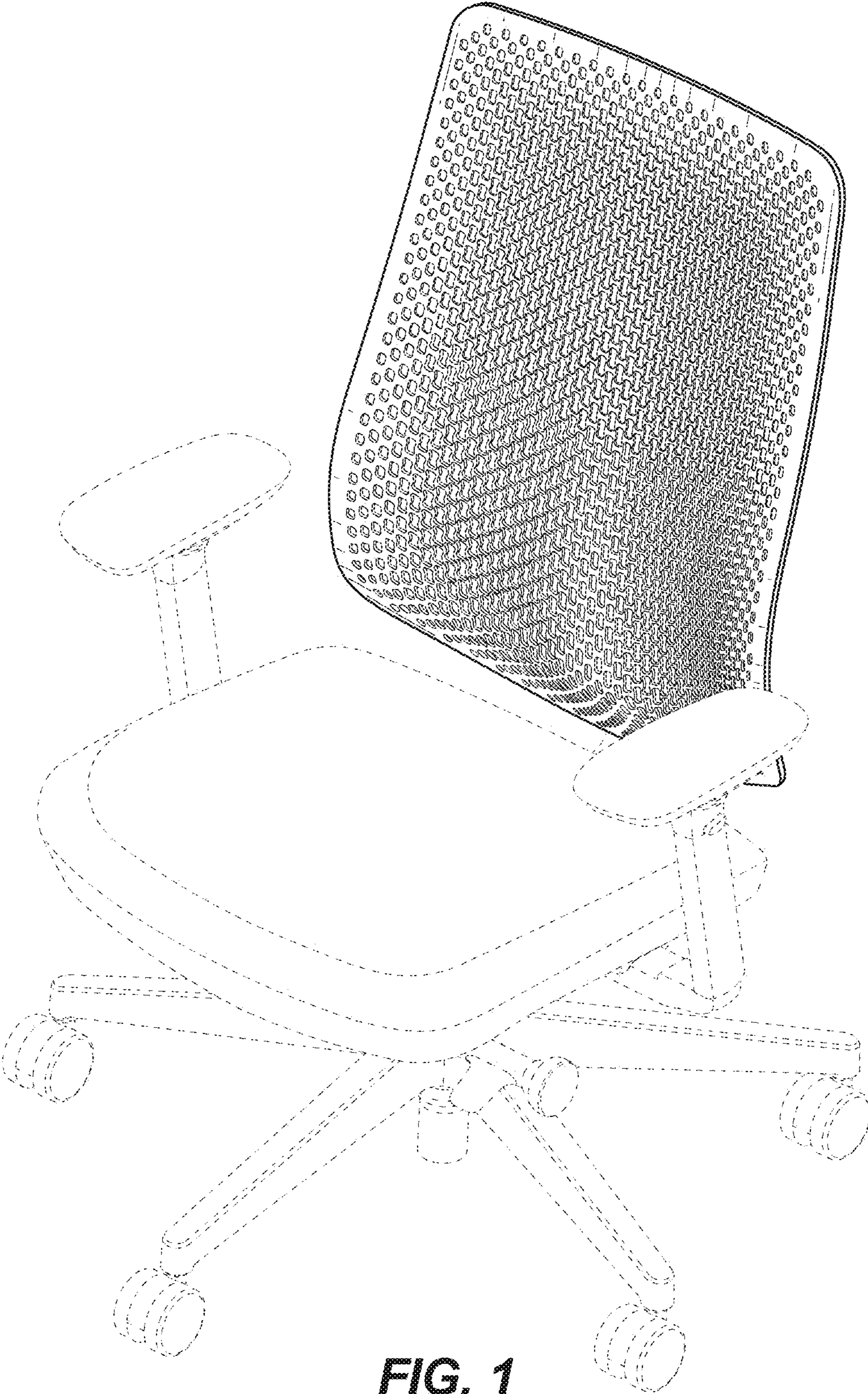


FIG. 1

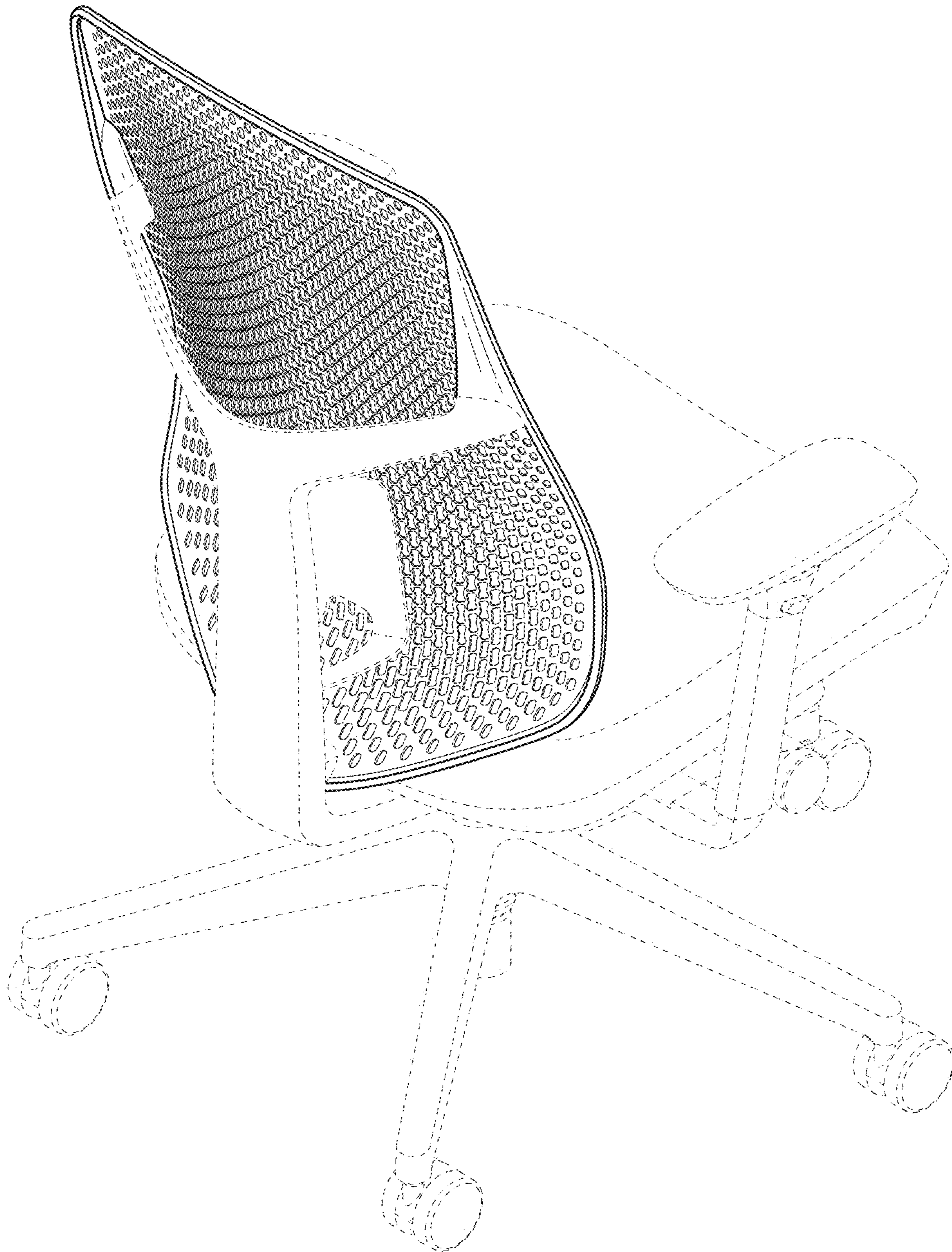


FIG. 2

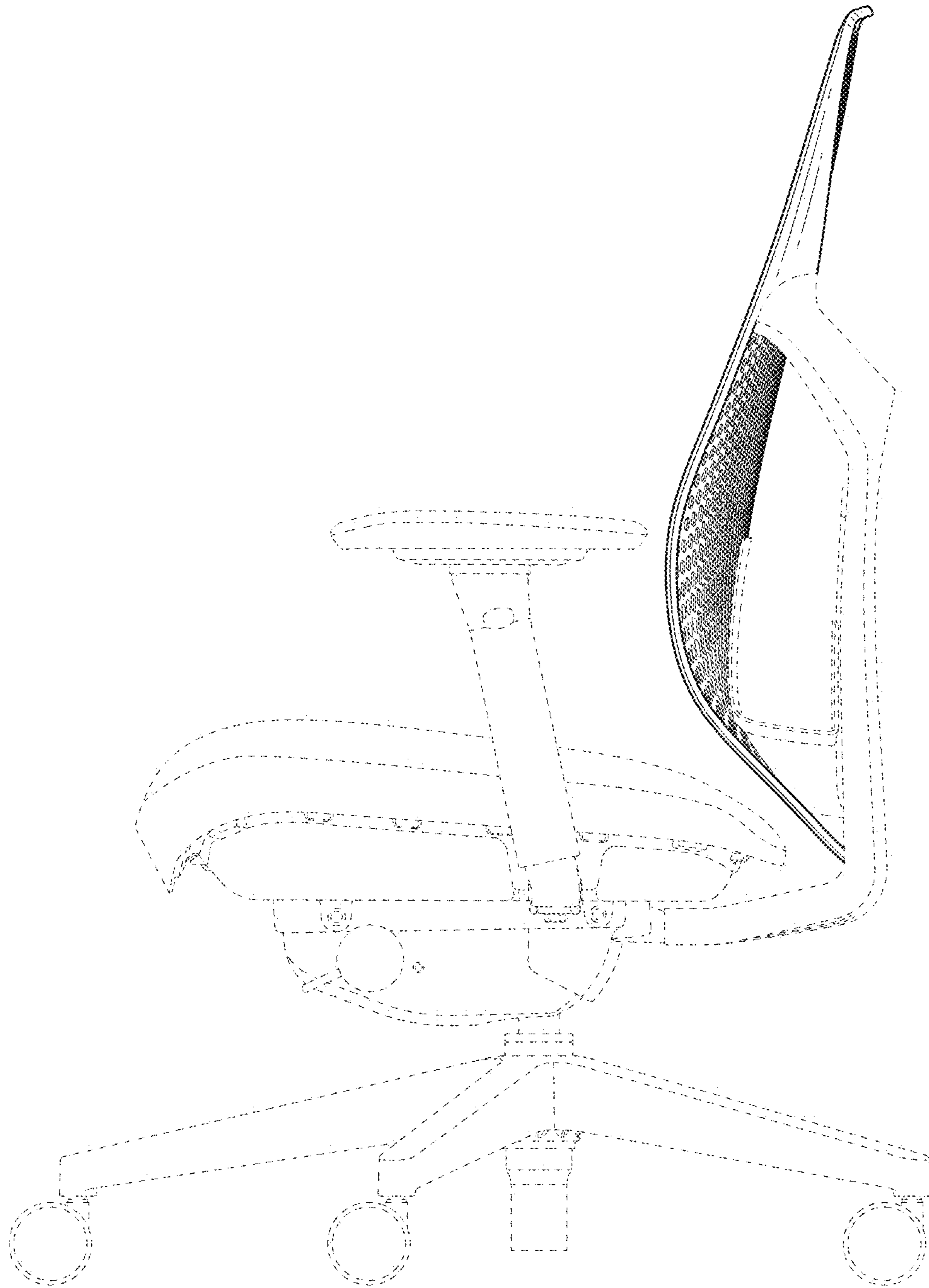


FIG. 3

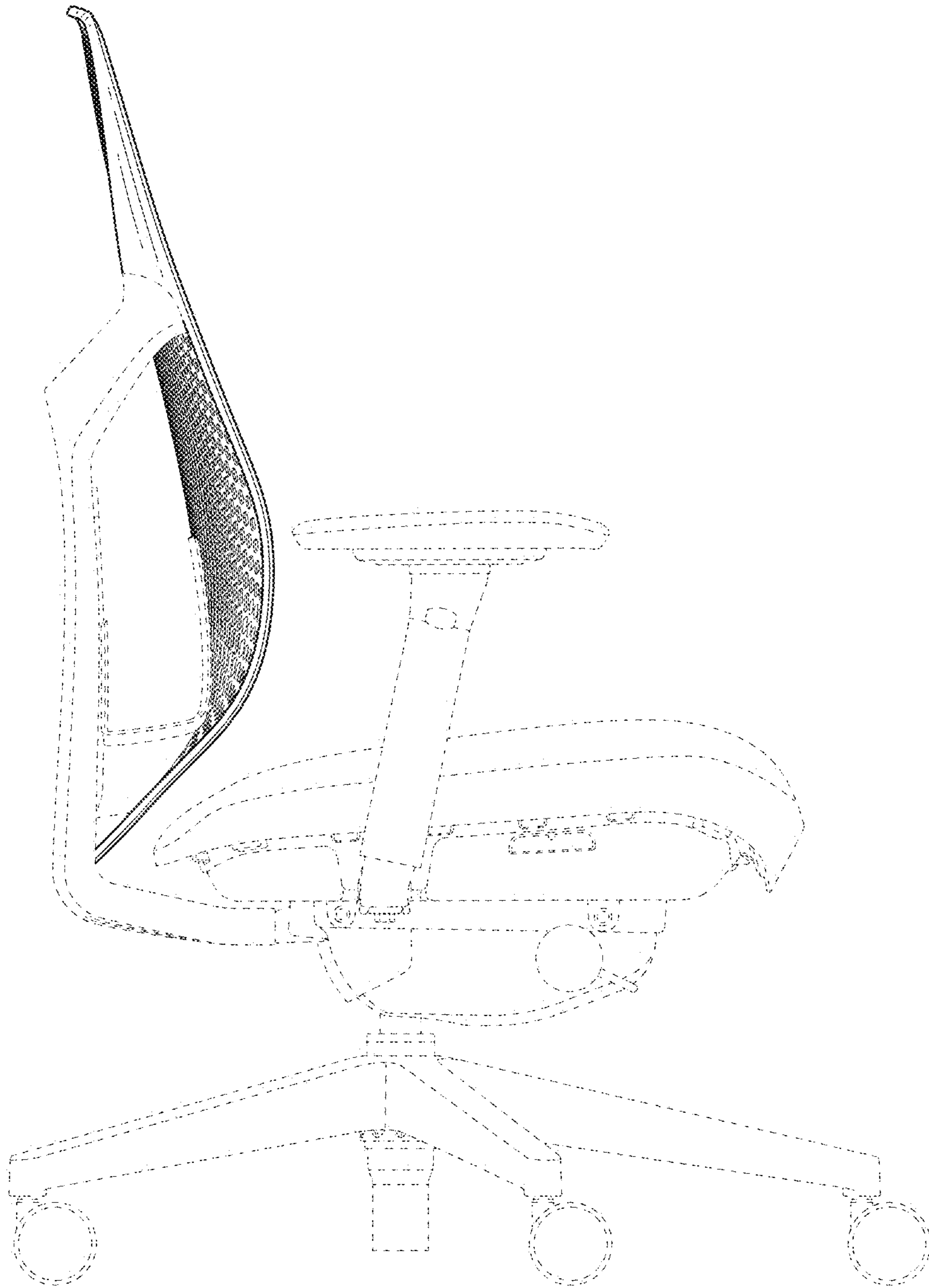


FIG. 4

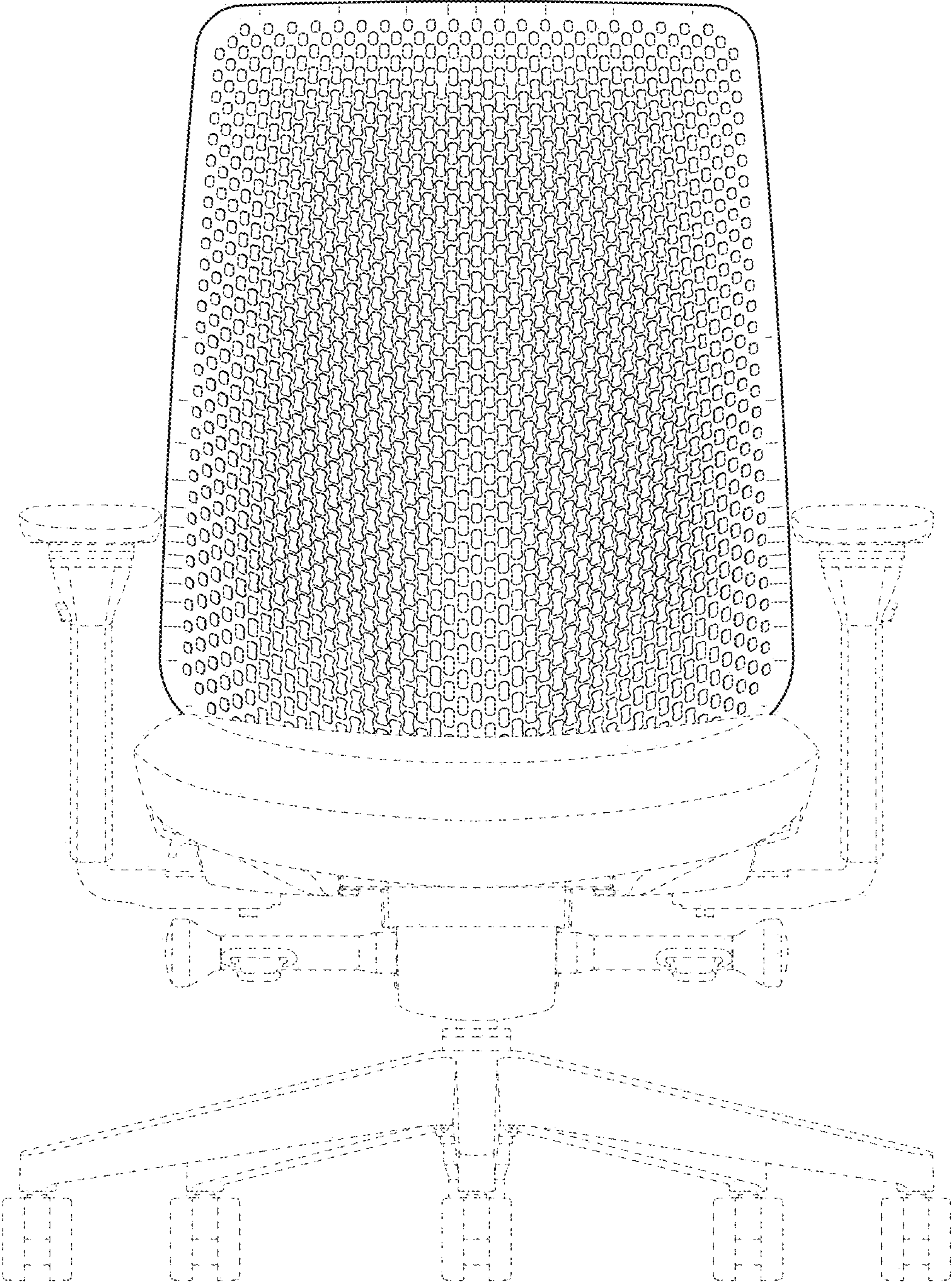


FIG. 5

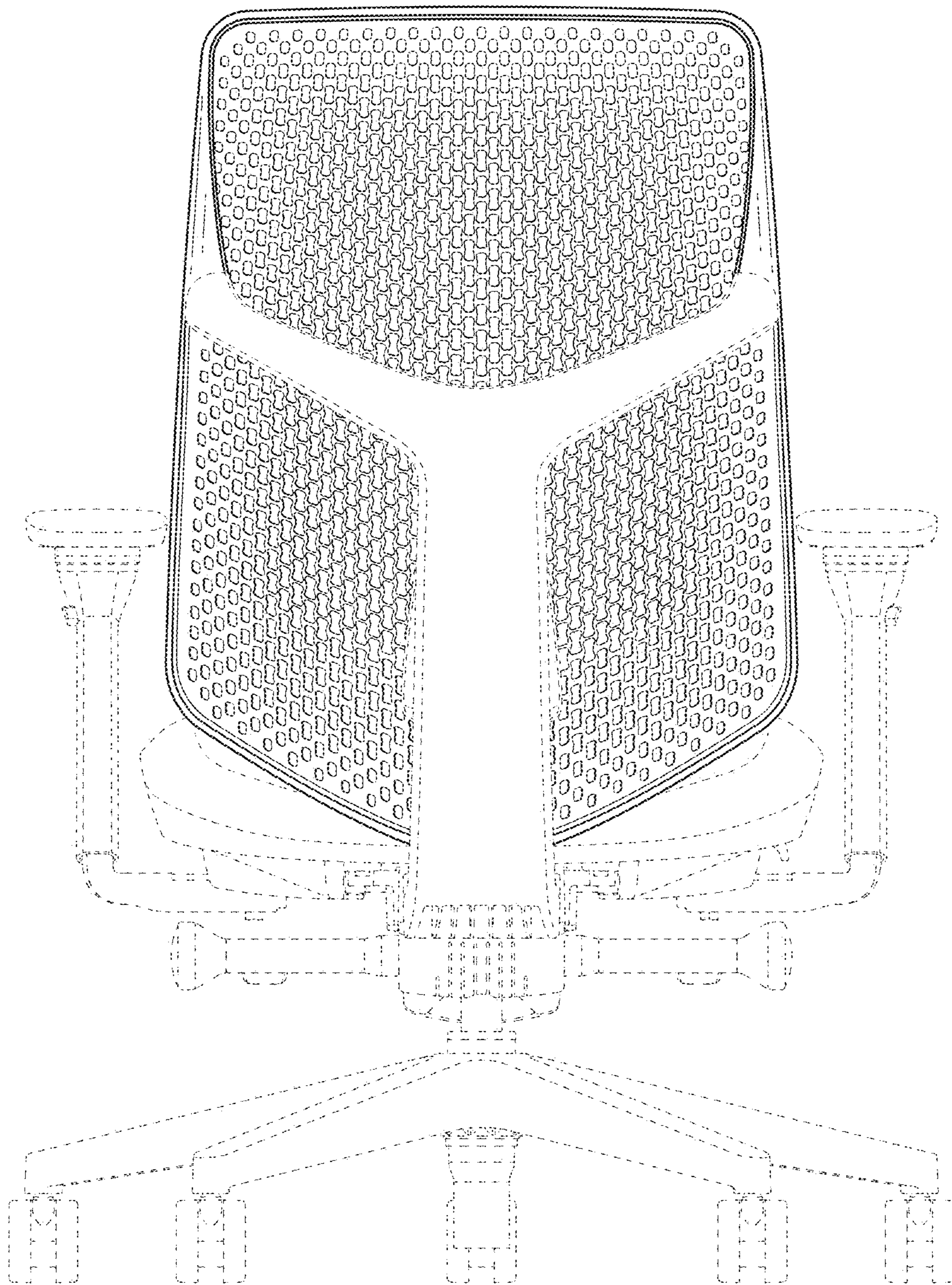


FIG. 6

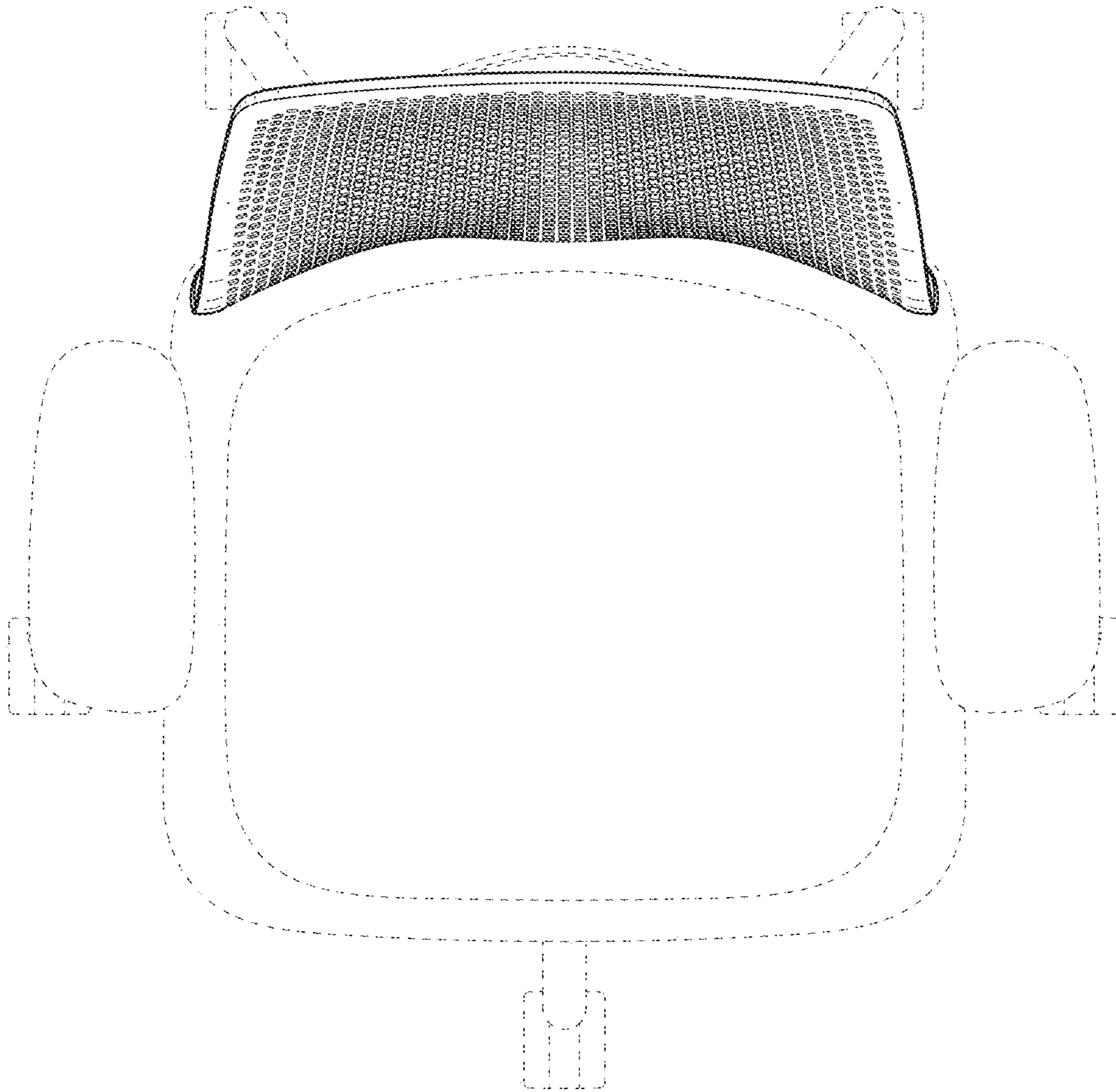


FIG. 7

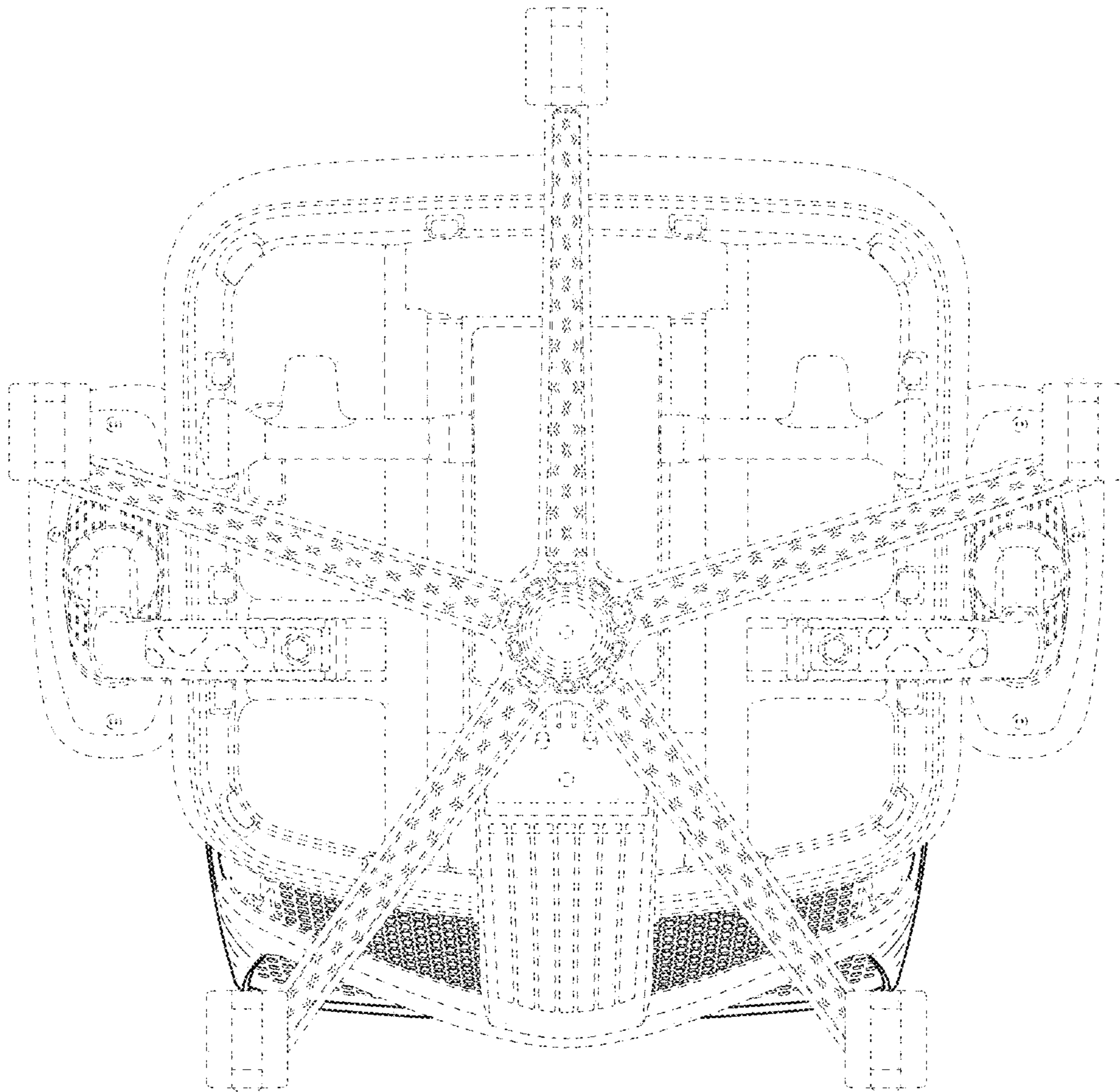


FIG. 8