



US00D907422S

(12) **United States Design Patent**
Izawa

(10) **Patent No.:** **US D907,422 S**
(45) **Date of Patent:** **** Jan. 12, 2021**

(54) **CHAIR**

(71) Applicant: **Okamura Corporation**, Yokohama (JP)

(72) Inventor: **Syouichi Izawa**, Yokohama (JP)

(73) Assignee: **Okamura Corporation**, Yokohama (JP)

(**) Term: **15 Years**

(21) Appl. No.: **29/642,752**

(22) Filed: **Apr. 2, 2018**

(30) **Foreign Application Priority Data**

Oct. 2, 2017 (JP) 2017-021753

(51) **LOC (13) Cl.** **06-06**

(52) **U.S. Cl.**
USPC **D6/716.4**

(58) **Field of Classification Search**
USPC D6/365, 366, 716, 356, 364, 716.4,
D6/716.7, 367, 379
CPC A47C 7/02; A47C 7/40; A47C 7/44; A47C
7/46; A47C 7/445; A47C 31/023; B60N
2/0284; B60N 2/062; B60N 2/24; B60N
2/58; B60N 2/64; B60N 2/68; B60N
2/80; B60N 2/99; B60N 2/245; B60N
2/643; B60N 2/646; B60N 2/665; B60N
2/686; B60N 2/688; B60N 2/803; B60N
2/986; B60N 2/914; B60N 2/995; B60R
22/001; F16B 2/08; F16B 45/00
See application file for complete search history.

(56) **References Cited**

U.S. PATENT DOCUMENTS

D196,429 S * 10/1963 Johnson D6/366
D213,190 S * 1/1969 Watari D6/334
D281,840 S * 12/1985 Ogg D6/366

D508,787 S * 8/2005 Natuzzi D6/364
D508,791 S * 8/2005 Natuzzi D6/364
D544,719 S * 6/2007 Fanning D6/364
D611,263 S * 3/2010 Werner D6/366
D657,152 S * 4/2012 Lievore D6/366
D676,682 S * 2/2013 Citterio D6/366
D677,918 S * 3/2013 Citterio D6/366
D684,785 S * 6/2013 Hwangbo D6/367
D704,945 S * 5/2014 Massaud D6/366
D706,546 S * 6/2014 Shukhman D6/364
D720,146 S * 12/2014 Fukasawa D6/364
D730,670 S * 6/2015 Kubryk D6/716
D781,092 S * 3/2017 Izawa D6/716.4
D794,347 S * 8/2017 Cazzaniga D6/366
D794,368 S * 8/2017 Swy D6/366
D794,369 S * 8/2017 Swy D6/366
D817,056 S * 5/2018 Neil D6/716
D849,434 S * 5/2019 Hale D6/364
D860,669 S * 9/2019 Izawa D6/366

* cited by examiner

Primary Examiner — Kevin K Rudzinski

Assistant Examiner — Paul D Bohannon

(74) *Attorney, Agent, or Firm* — Banner & Witcoff, Ltd.

(57) **CLAIM**

The ornamental design for a chair, as shown and described.

DESCRIPTION

FIG. 1 is a front perspective view of a chair showing my new design;

FIG. 2 is a rear perspective view thereof;

FIG. 3 is a front view thereof;

FIG. 4 is a rear view thereof;

FIG. 5 is a left side view thereof;

FIG. 6 is a right side view thereof;

FIG. 7 is a top view thereof; and,

FIG. 8 is a bottom view thereof.

The broken lines shown in the drawings illustrate portions of the chair that form no part of the claimed design.

1 Claim, 8 Drawing Sheets



Fig. 1



Fig. 2

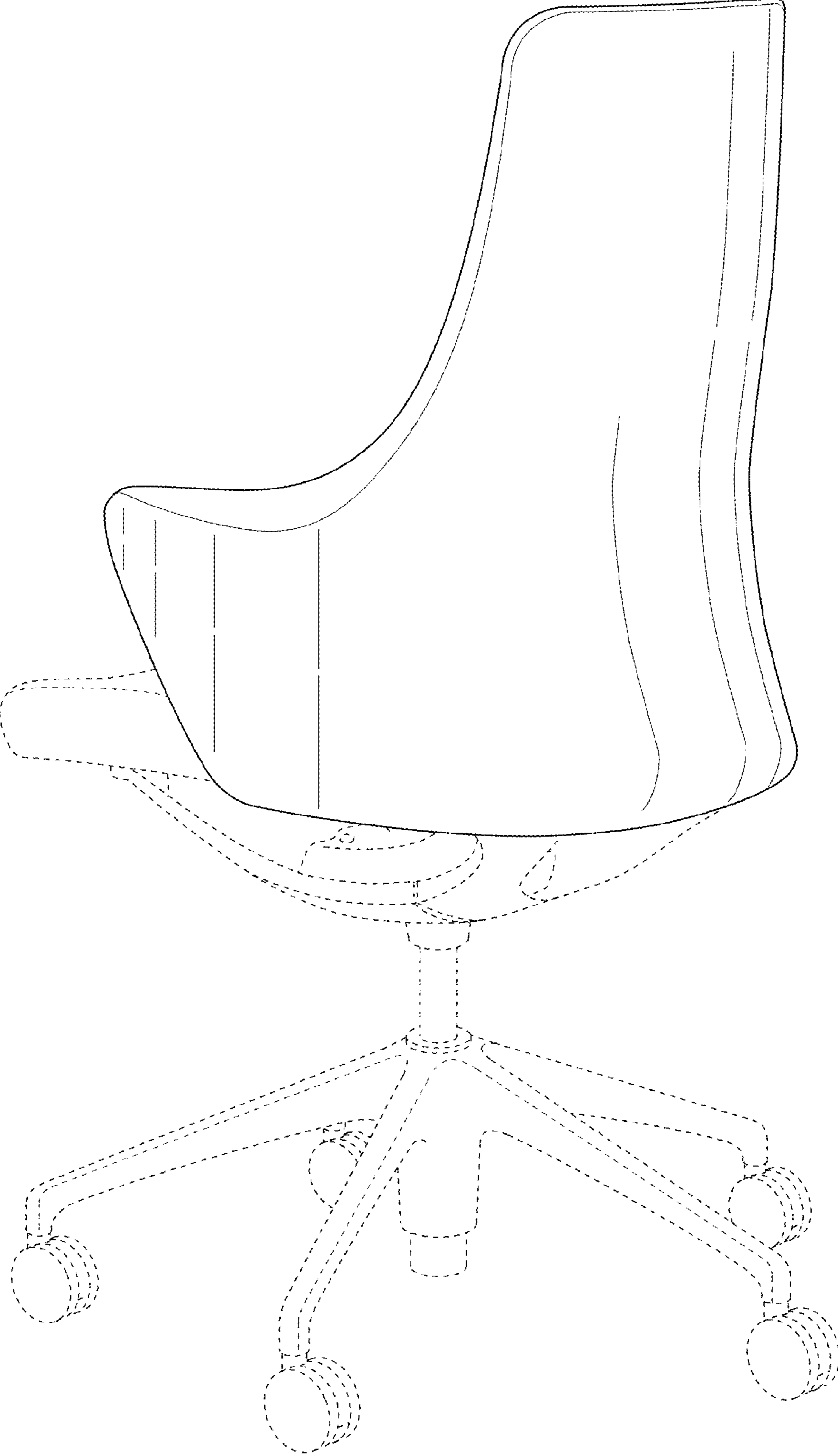


Fig. 3

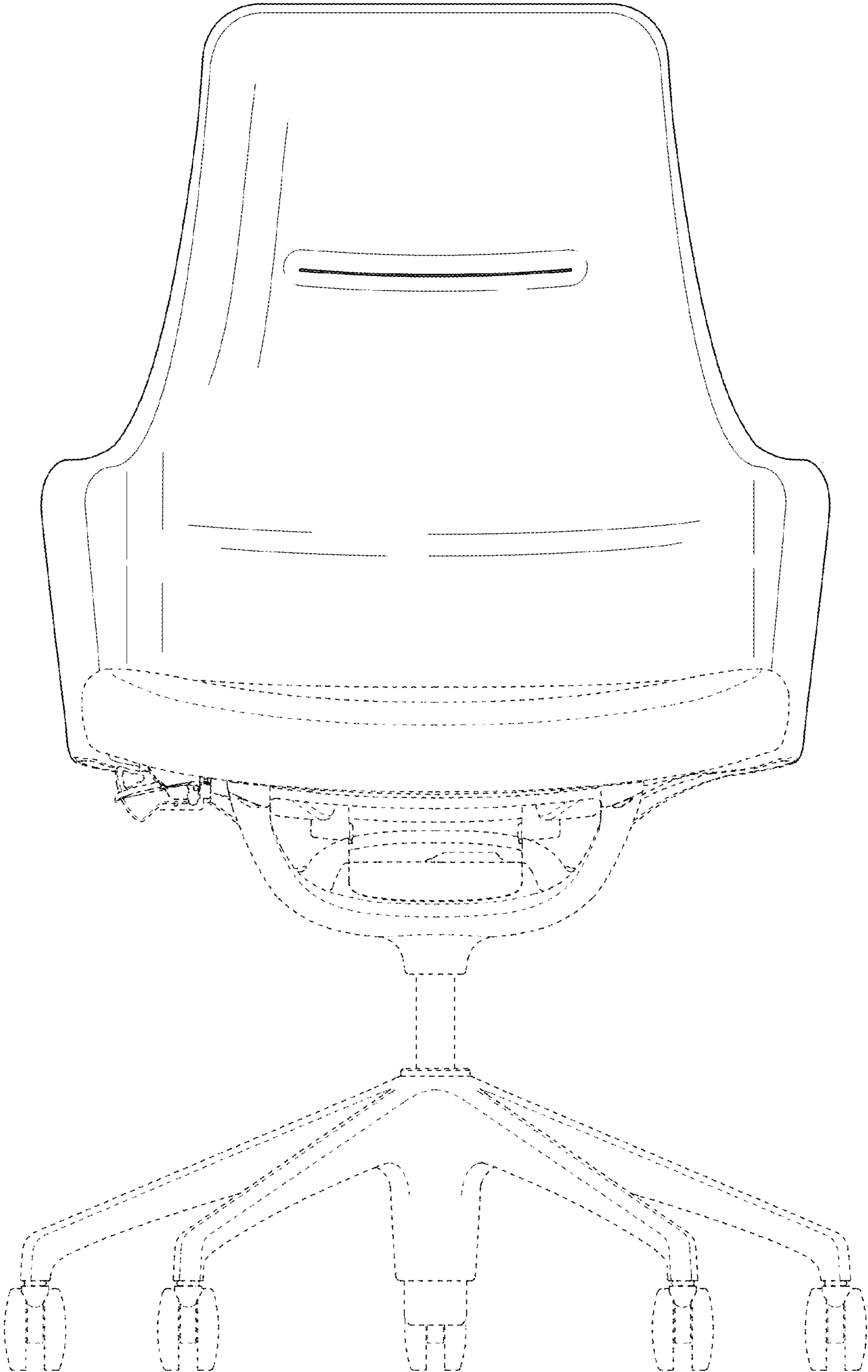


Fig. 4

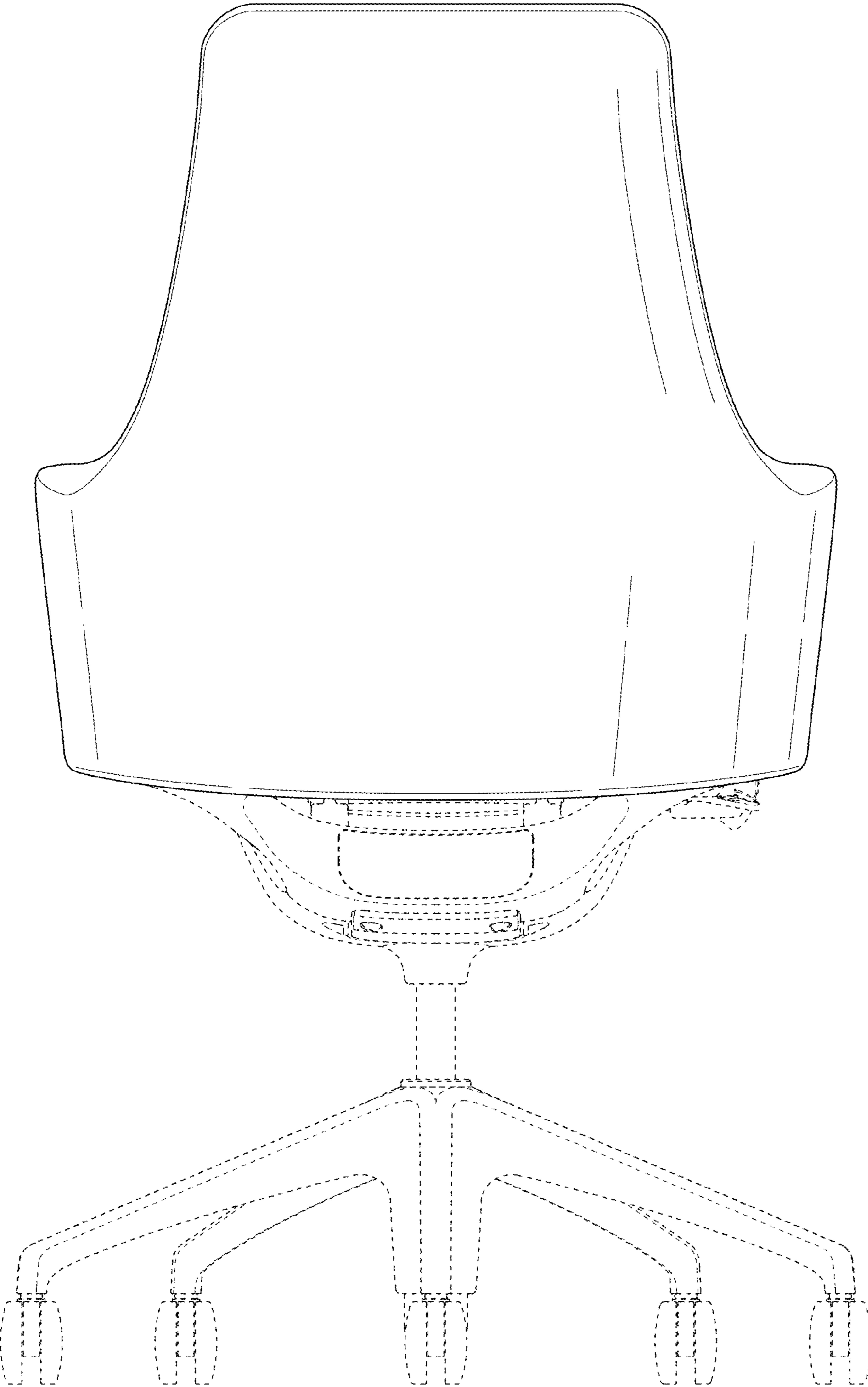


Fig. 5

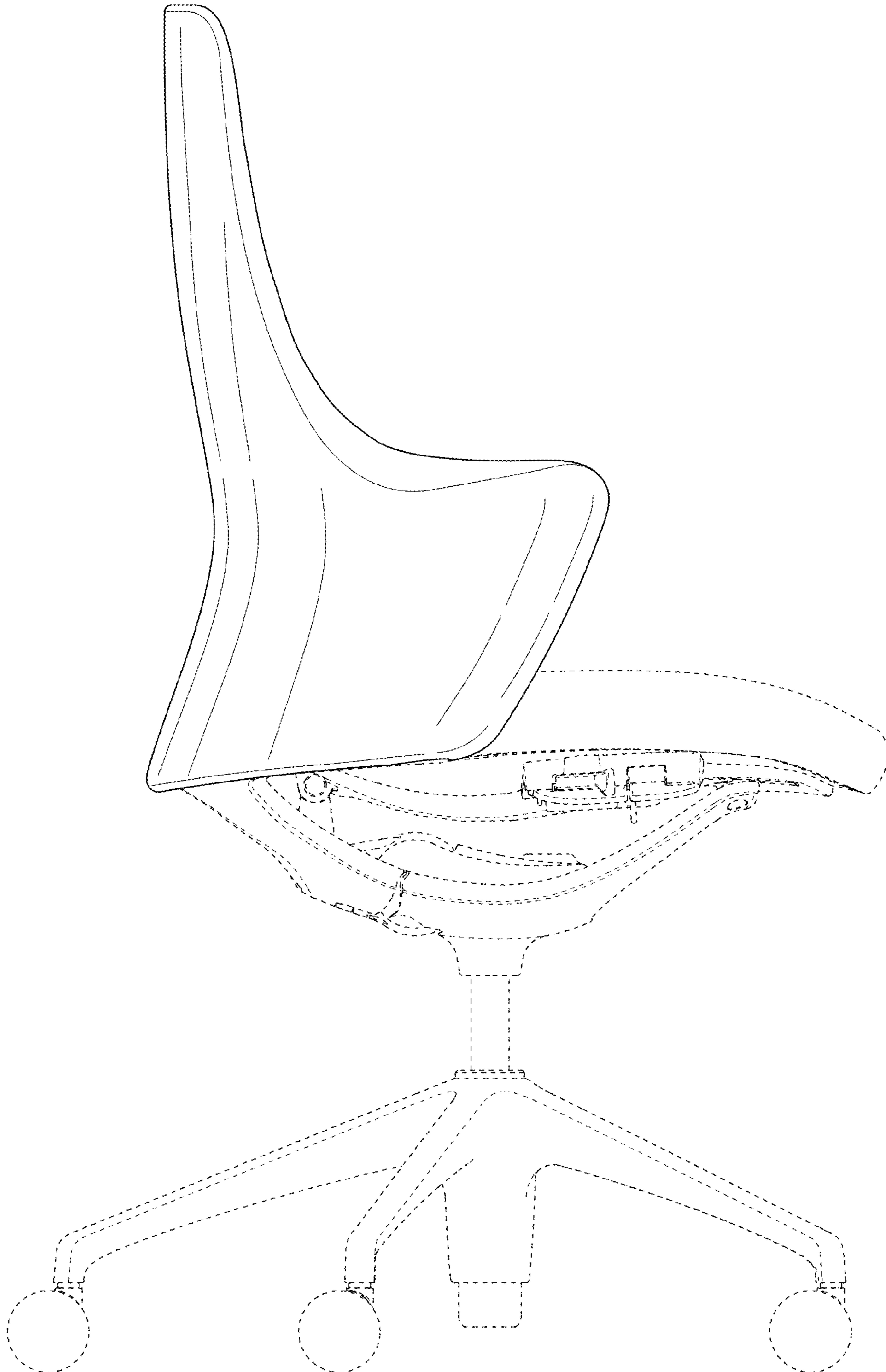


Fig. 6

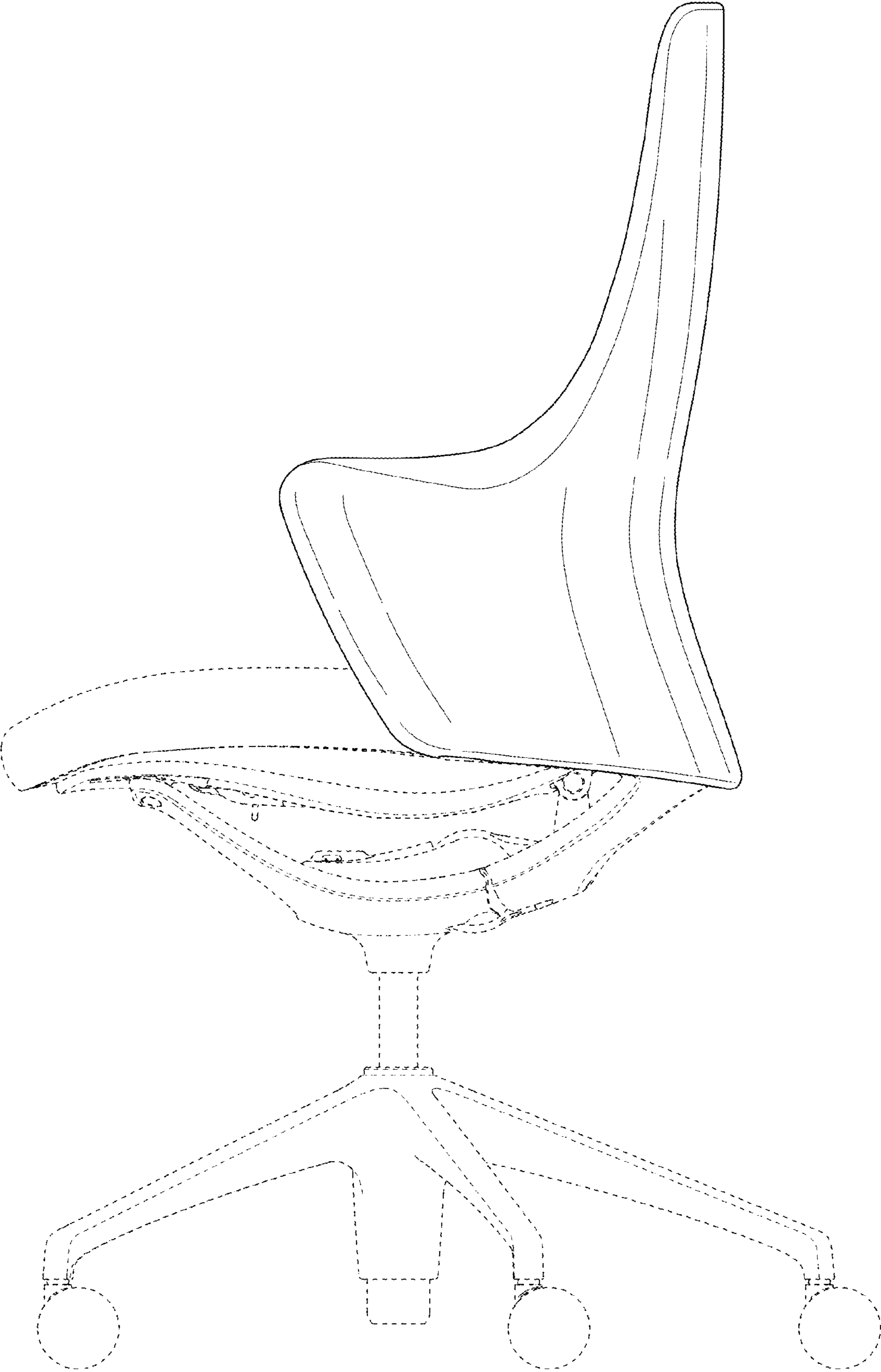


Fig. 7

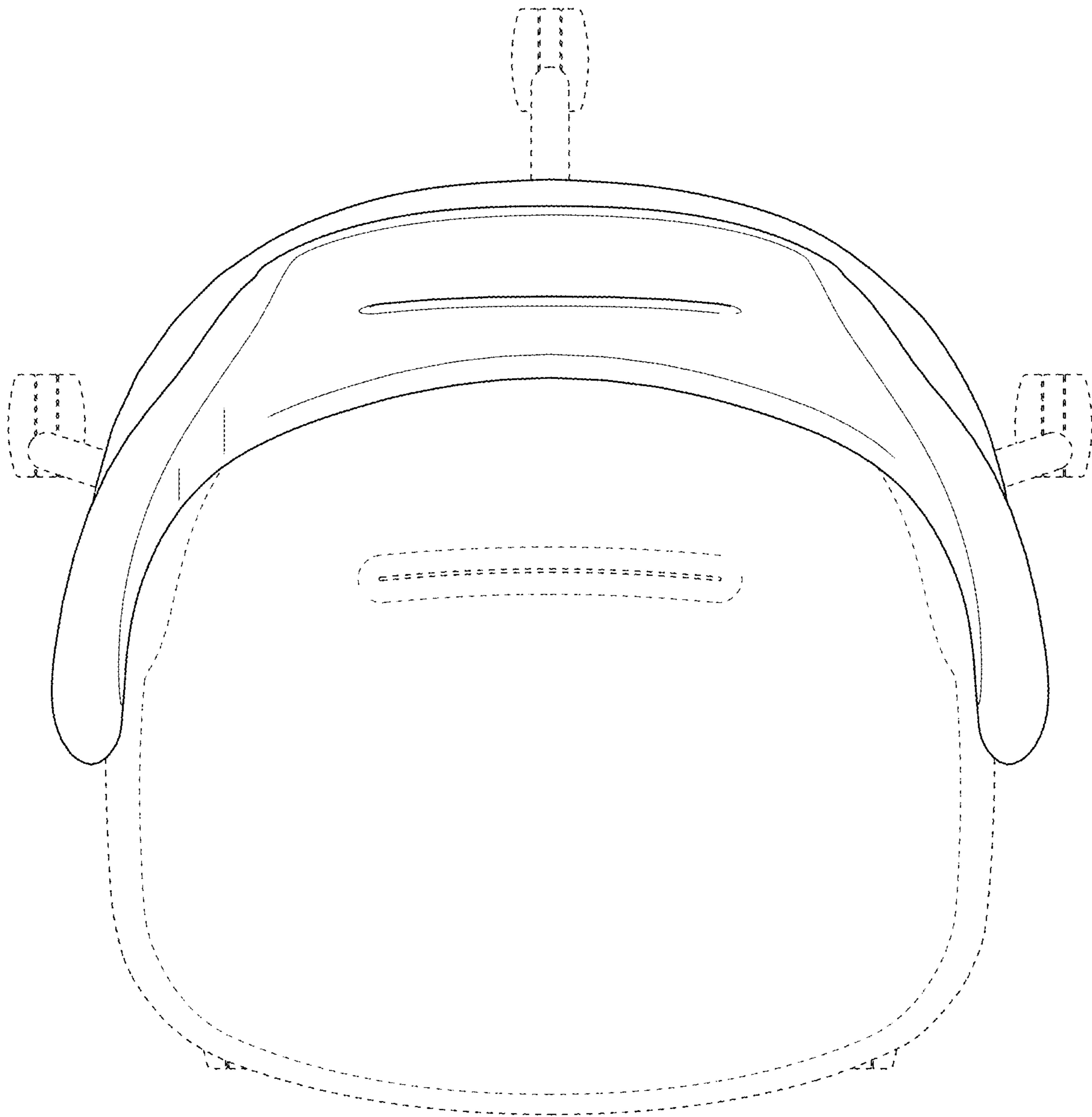


Fig. 8

