



US00D907420S

(12) **United States Design Patent** (10) **Patent No.:** **US D907,420 S**  
**Liu** (45) **Date of Patent:** **\*\* Jan. 12, 2021**

(54) **TABLE BASE**  
(71) Applicant: **Foshan Leadex Furniture Co., Ltd.,**  
Guangdong (CN)  
(72) Inventor: **Anliang Liu,** Guangdong (CN)  
(73) Assignee: **FOSHAN LEADEX FURNITURE**  
**CO., LTD.,** Foshan (CN)

D293,862 S \* 1/1988 Hubert ..... D6/691.1  
D475,869 S \* 6/2003 Jackson ..... D6/691.1  
D600,476 S \* 9/2009 Stoller ..... D6/708.16  
D624,336 S \* 9/2010 Schultz ..... D6/691.8  
D655,952 S \* 3/2012 McCurry ..... D6/708  
D685,216 S \* 7/2013 Stromborg ..... D6/708  
D696,542 S \* 12/2013 Stromborg ..... D6/708  
D751,328 S \* 3/2016 Zdanius ..... D6/708

(Continued)

(\*\*) Term: **15 Years**  
(21) Appl. No.: **29/693,592**  
(22) Filed: **Jun. 4, 2019**

**FOREIGN PATENT DOCUMENTS**

CN 304765797 S 8/2018

(30) **Foreign Application Priority Data**

May 7, 2019 (CN) ..... 2019 3 0217854

(51) **LOC (13) Cl.** ..... **06-06**

(52) **U.S. Cl.**  
USPC ..... **D6/708.23**

(58) **Field of Classification Search**  
USPC ..... D6/690, 691, 691.1, 691.6, 691.8, 692,  
D6/708, 708.16, 708.23  
CPC ..... A47B 13/00; A47B 13/02; A47B 13/06;  
A47B 13/021; A47B 2200/0011; A47B  
2200/0016; A47B 7/00; A47B 1/00; A47B  
1/08

See application file for complete search history.

(56) **References Cited**

**U.S. PATENT DOCUMENTS**

18,636 A \* 11/1857 Gross ..... A47B 1/00  
108/65  
2,537,128 A \* 1/1951 Giberson ..... A47B 1/08  
108/79  
2,563,891 A \* 8/1951 Wallance ..... A47B 1/08  
108/79  
D225,712 S \* 1/1973 McDonald ..... D6/691  
D228,106 S \* 8/1973 Klotz ..... D6/691.6  
D281,747 S \* 12/1985 Berry, Jr. .... D6/692

**OTHER PUBLICATIONS**

“Maklaine Glass Top Extendable Dining Table in Silver.” Found online Aug. 27, 2020 at www.amazon.com. Product first available Sep. 20, 2018. Retrieved from URL: https://www.amazon.com/MAKLAIN-Extension-Dining-Table-Stainless/dp/B07HJFYBPR (Year: 2018).\*

(Continued)

*Primary Examiner* — Mary Ann Calabrese  
*Assistant Examiner* — Katelin G Kloberg  
(74) *Attorney, Agent, or Firm* — Bayramoglu Law Offices LLC

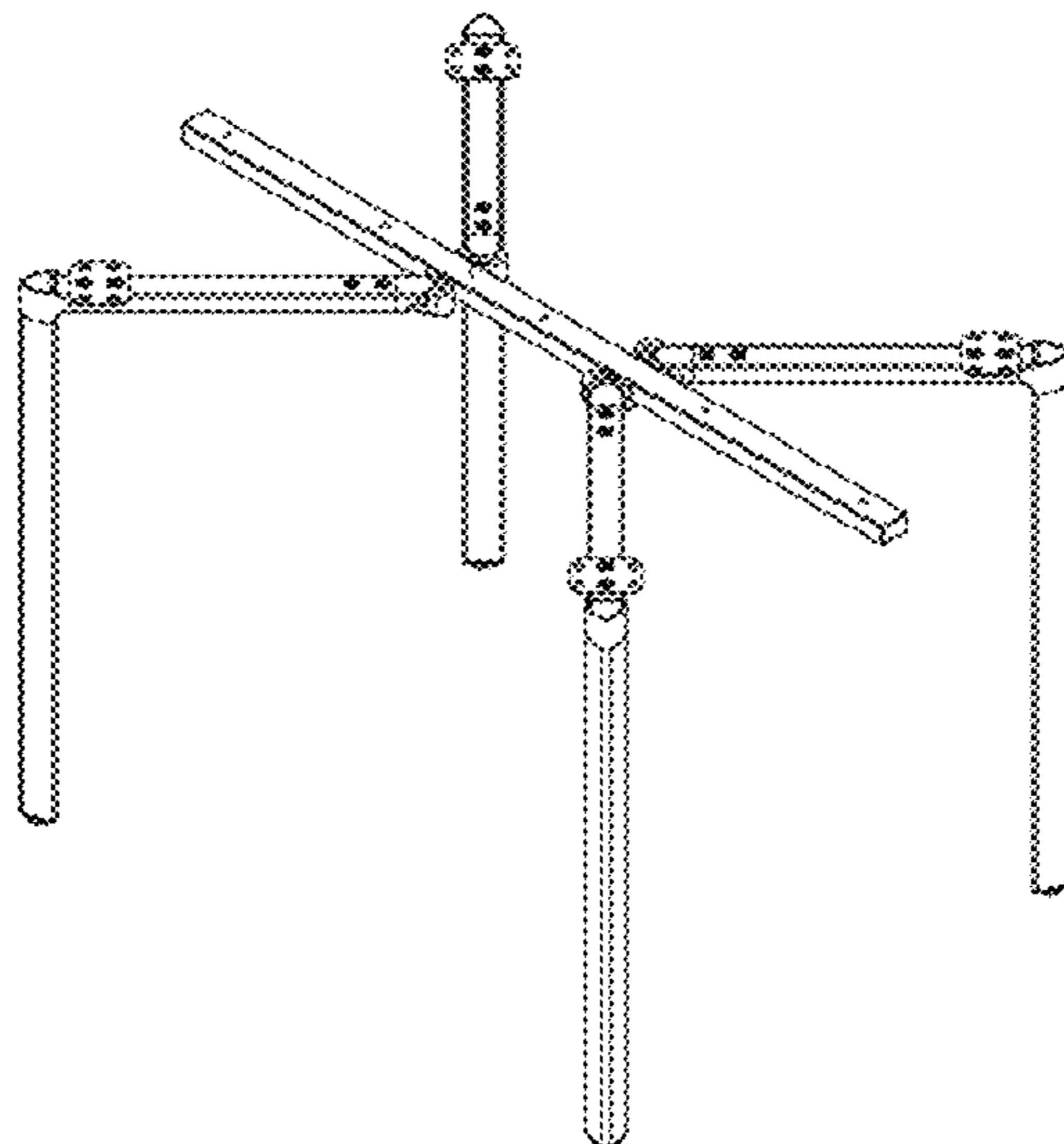
(57) **CLAIM**

The ornamental design for a table base, as shown and described.

**DESCRIPTION**

FIG. 1 is a perspective view of a table base showing my new design;  
FIG. 2 is a front view thereof;  
FIG. 3 is a rear view thereof;  
FIG. 4 is a left view thereof;  
FIG. 5 is a right view thereof;  
FIG. 6 is a top view thereof; and,  
FIG. 7 is a bottom view thereof.

**1 Claim, 7 Drawing Sheets**



(56)

**References Cited**

## U.S. PATENT DOCUMENTS

D775,880 S \* 1/2017 Grossinger ..... D6/692  
D779,245 S \* 2/2017 Hiyoshi ..... D6/708  
D783,330 S \* 4/2017 Hiyoshi ..... D6/708  
D784,742 S \* 4/2017 Grossinger ..... D6/691  
D817,052 S \* 5/2018 Parisio ..... D6/708  
D826,608 S \* 8/2018 Pedersen ..... D6/708.23  
D882,311 S \* 4/2020 Davis ..... D6/691  
D884,697 S \* 5/2020 Park ..... D14/375

## OTHER PUBLICATIONS

“Limari Home Moser Extendable Dining Table.” Found online Aug. 27, 2020 at [www.amazon.com](http://www.amazon.com). Product first available Aug. 30, 2018. Retrieved from URL: <https://www.amazon.com/Limari-Home-LIM-74068-Extendable-Dining/dp/B07GYM45KF> (Year: 2018).\*

“Limari Home the Bedros Dining Table.” Found online Aug. 27, 2020 at [www.amazon.com](http://www.amazon.com). Product first available Jun. 13, 2017. Retrieved from URL: <https://www.amazon.com/Limari-Home-Collection-Rectangular-Contemporary/dp/B071KBLBLY> (Year: 2017).\*

“Shinkle Extendable Dining Table.” Found online Aug. 27, 2020 at [www.wayfair.com](http://www.wayfair.com). Product reviewed Mar. 18, 2019. Retrieved from URL: <https://www.wayfair.com/furniture/pdx/orren-ellis-shinkle-extendable-dining-table-orn17687.html> (Year: 2019).\*

\* cited by examiner

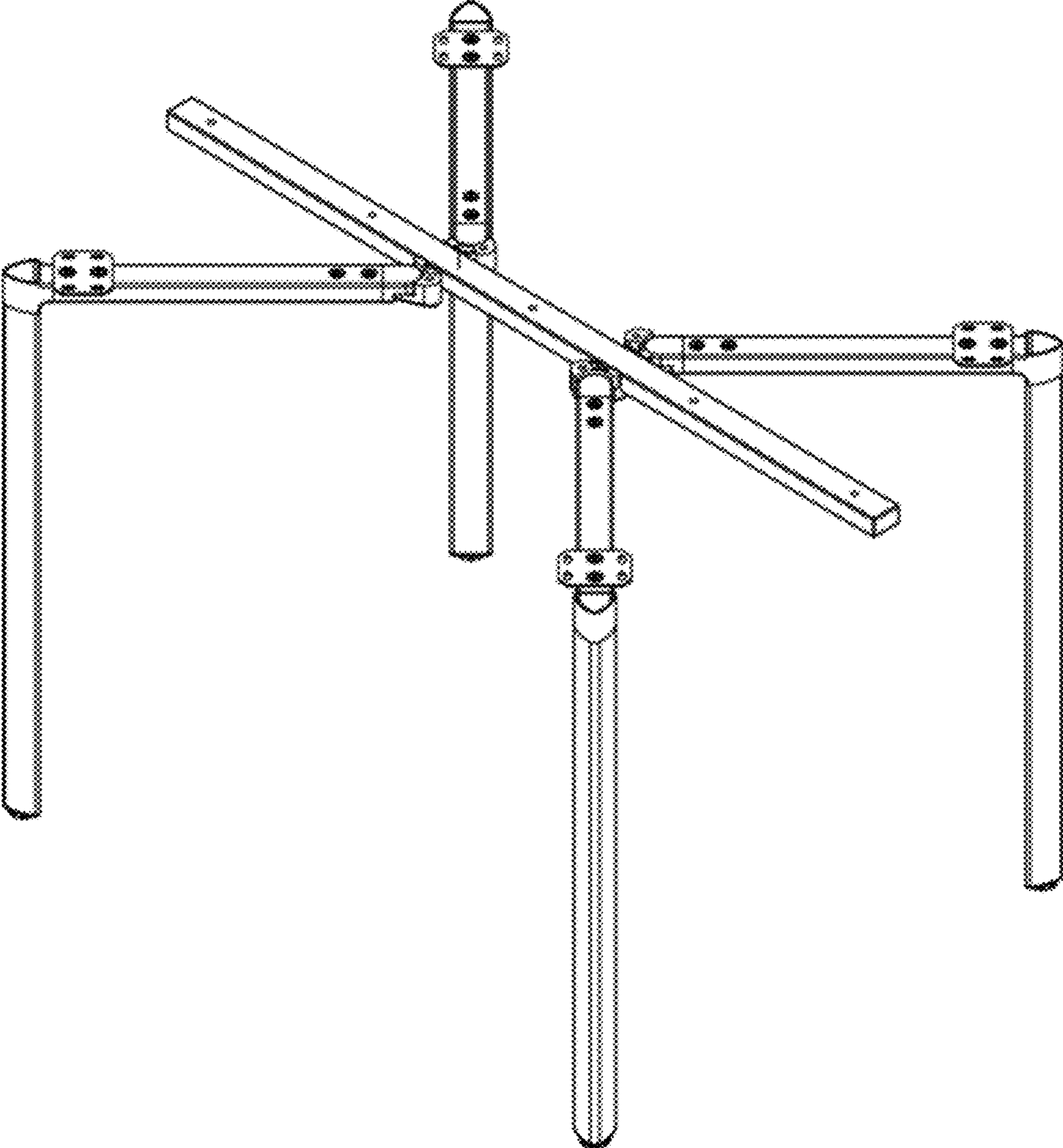


FIG. 1

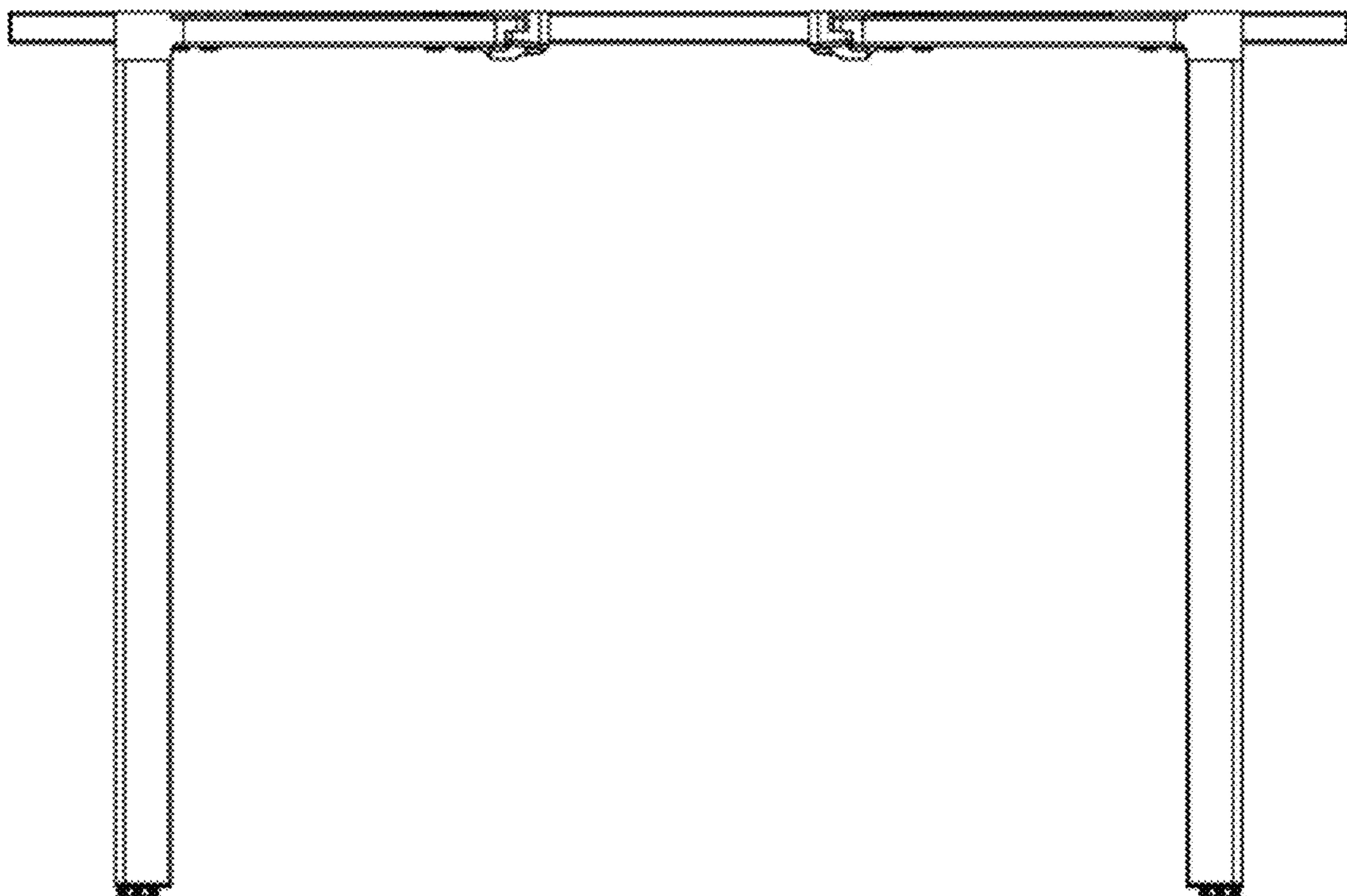


FIG. 2

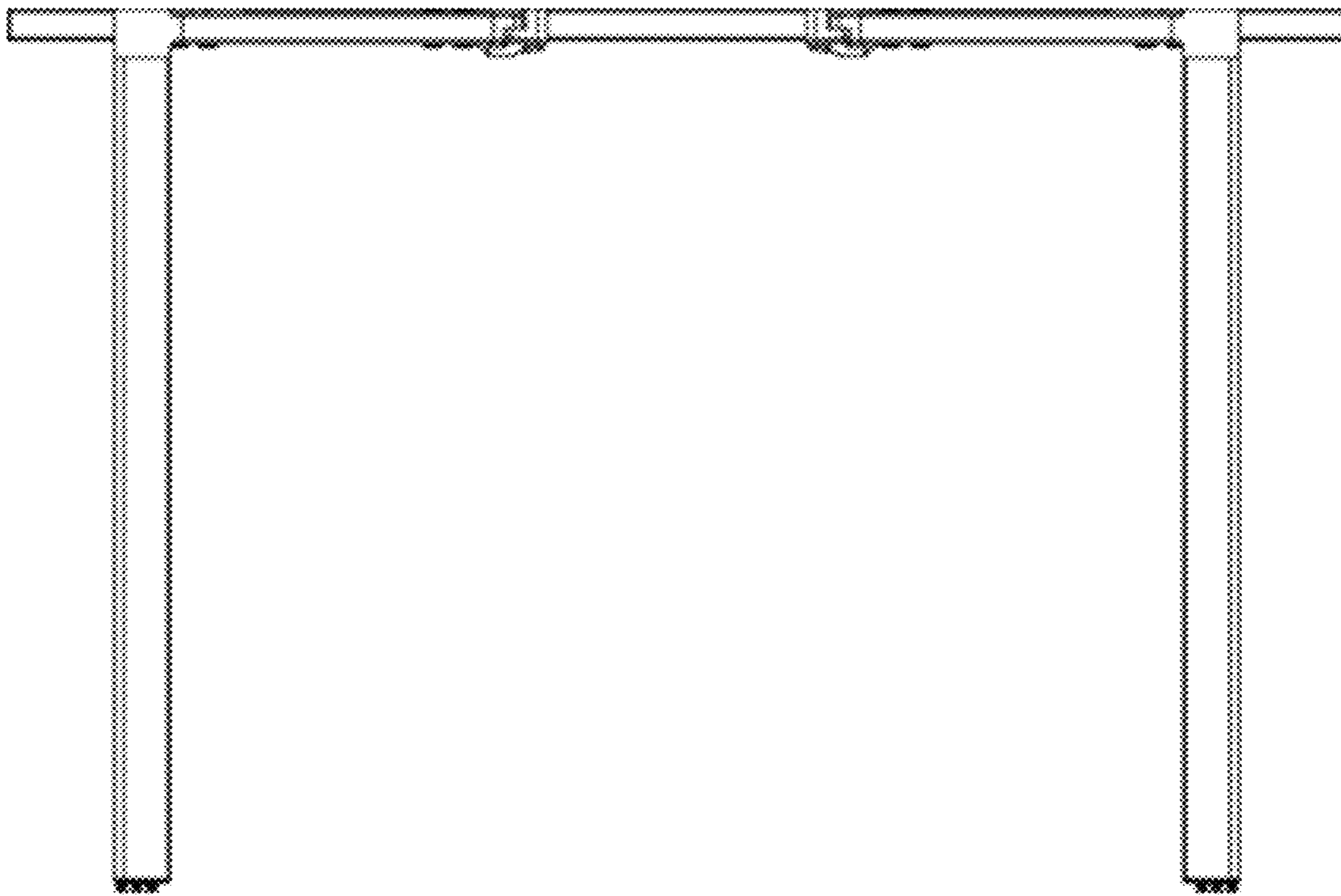


FIG. 3

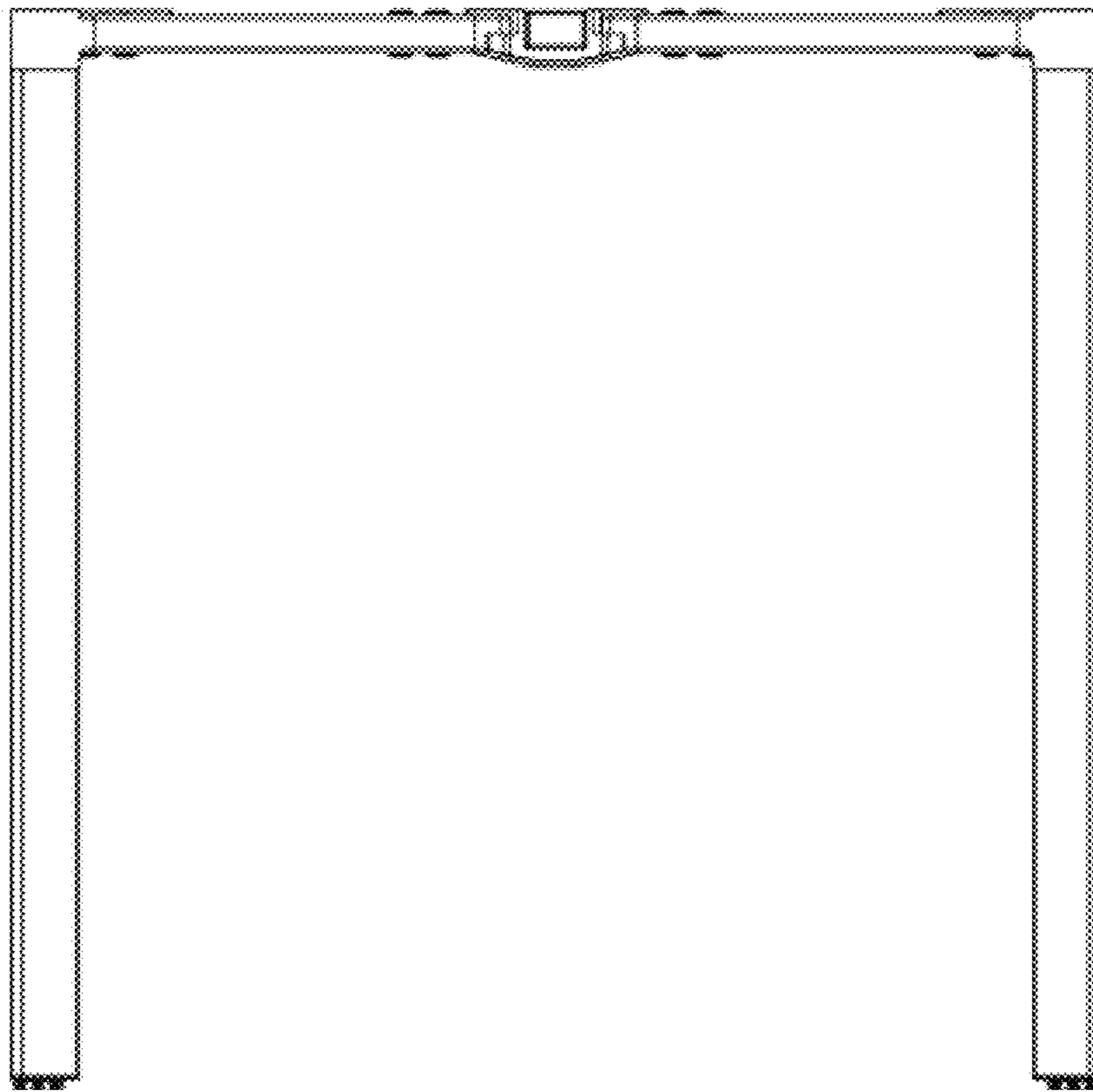


FIG. 4

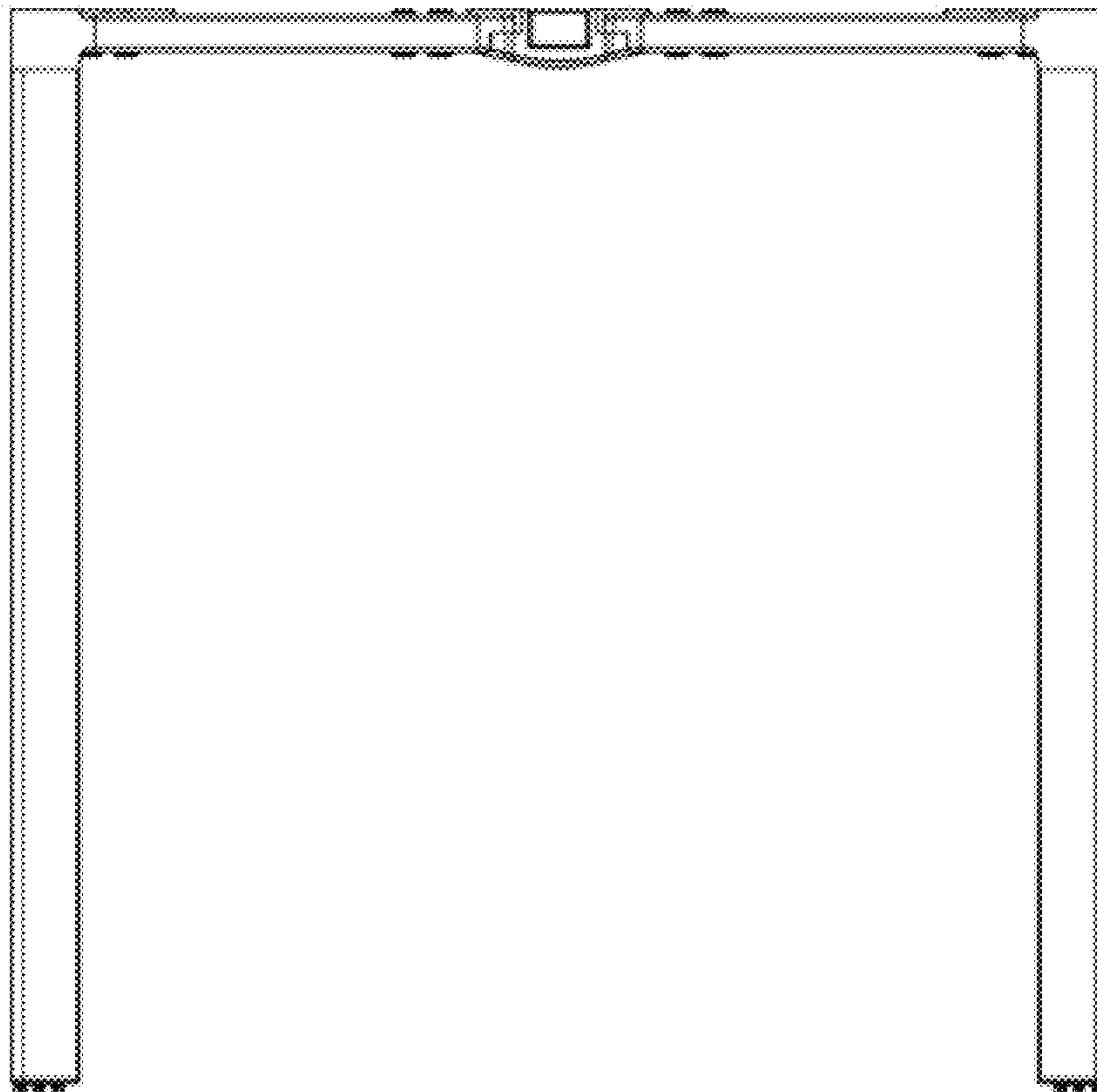


FIG. 5

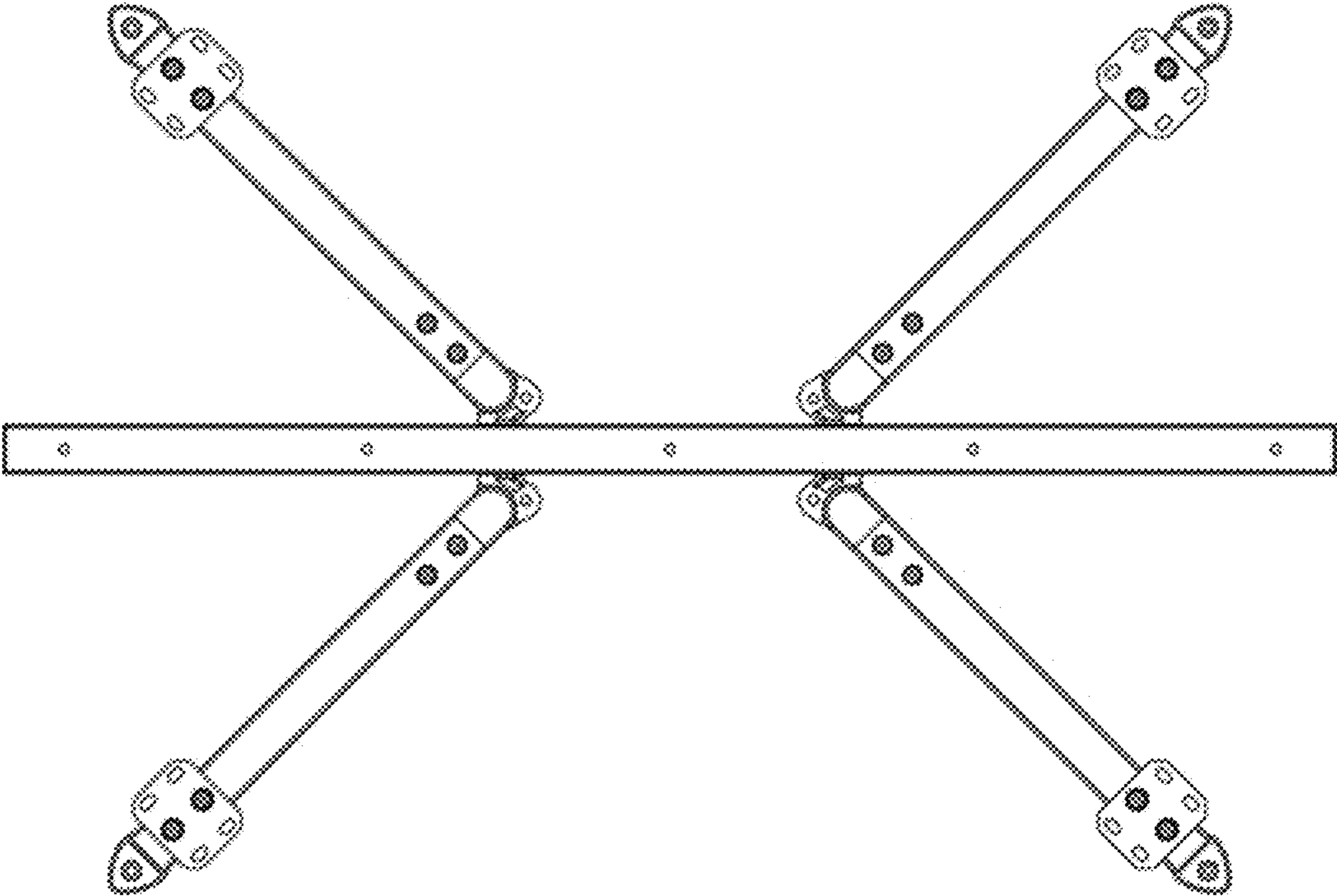


FIG. 6



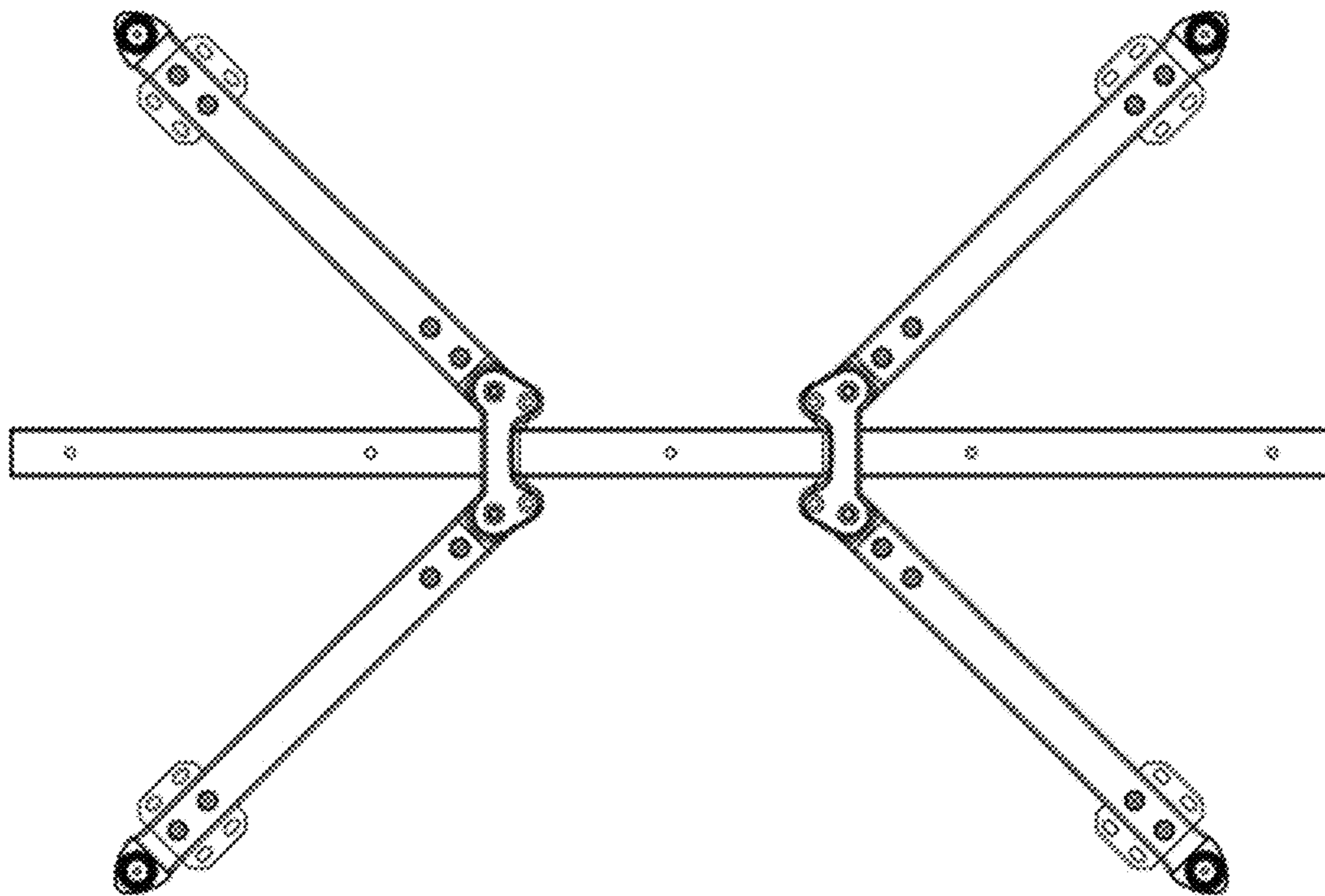


FIG. 7