



US00D907419S

(12) **United States Design Patent**
Lin

(10) **Patent No.:** **US D907,419 S**
(45) **Date of Patent:** **** Jan. 12, 2021**

(54) **COMBINED PEDESTAL BASE, SUPPORT BRACKET, AND HEIGHT ADJUSTMENT BUTTON OF ADJUSTABLE HEIGHT TABLE**

(71) Applicant: **Zhuhai Shichang Metals Ltd., Zhuhai (CN)**

(72) Inventor: **Jin Hong Lin, Zhuhai (CN)**

(73) Assignee: **Zhuhai Shichang Metals Ltd., Zhuhai (CN)**

(**) Term: **15 Years**

(21) Appl. No.: **29/702,327**

(22) Filed: **Aug. 19, 2019**

(51) **LOC (13) Cl.** **06-06**

(52) **U.S. Cl.**
USPC **D6/708.16**

(58) **Field of Classification Search**
USPC D6/656.17, 686, 687, 691.6, 707.24, 708, D6/708.16, 709, 709.2
CPC A47B 3/087; A47B 13/00; A47B 13/003; A47B 13/02; A47B 13/021; A47B 2003/0821; A47B 3/091; B29L 2031/448
See application file for complete search history.

(56) **References Cited**

U.S. PATENT DOCUMENTS

3,357,729	A *	12/1967	Krueger	A47B 3/0912 403/85
D468,139	S *	1/2003	Strong	D6/709.2
D489,922	S *	5/2004	Choi	A47B 3/0912 D6/708.16
D498,091	S *	11/2004	Winter	D6/709
D515,852	S *	2/2006	Strong	D6/709.2
D527,930	S *	9/2006	Aslle	D6/708
D560,085	S *	1/2008	Glass	D6/656.17
D644,046	S *	8/2011	Cronk	D6/708
D756,694	S *	5/2016	Johnson	D6/707.24

(Continued)

OTHER PUBLICATIONS

“Lifetime 80568 48x30 Folding Table.” Found online Nov. 21, 2020 at www.amazon.com. Product first available Oct. 4, 2017. Retrieved from URL: https://www.amazon.ca/Lifetime-80568-x30-Folding-Table/dp/B0717457ZM (Year: 2017).*

(Continued)

Primary Examiner — Mary Ann Calabrese

Assistant Examiner — Katelin G Kloberg

(74) *Attorney, Agent, or Firm* — Luedeka Neely Group, P.C.

(57) **CLAIM**

The ornamental design for a combined pedestal base, support bracket, and height adjustment button for adjustable height table, as shown and described.

DESCRIPTION

FIG. 1 is a top perspective view of the combined pedestal base, support bracket, and height adjustment button for adjustable height table;

FIG. 2 is a bottom perspective view of the combined pedestal base, support bracket, and height adjustment button for adjustable height table;

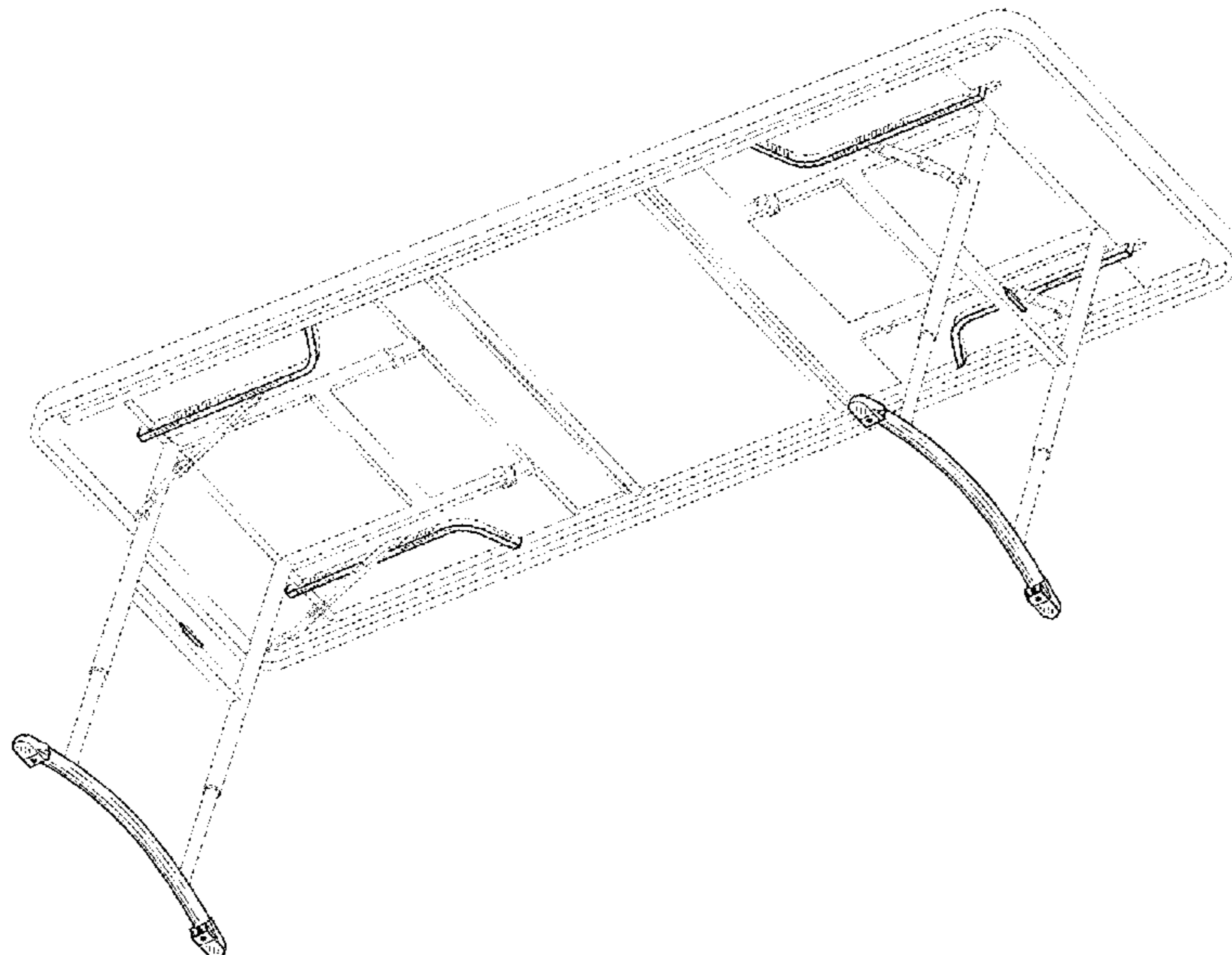
FIG. 3 is a side elevation view of the combined pedestal base, support bracket, and height adjustment button for adjustable height table;

FIG. 4 is an end elevation view of the combined pedestal base, support bracket, and height adjustment button for adjustable height table; and,

FIG. 5 is a bottom plan view of the combined pedestal base, support bracket, and height adjustment button for adjustable height table.

The broken lines shown in the figures are included for the purpose of illustrating the environment and form no part of the claimed design.

1 Claim, 5 Drawing Sheets



(56)

References Cited

U.S. PATENT DOCUMENTS

D759,411 S * 6/2016 Johnson D6/707.24
D821,130 S * 6/2018 Yang D6/708.16
D844,353 S * 4/2019 Horowitz D6/686
2002/0148394 A1* 10/2002 Strong A47B 9/14
108/147.21
2003/0213416 A1* 11/2003 Strong A47B 3/0912
108/129
2005/0279259 A1* 12/2005 Strong A47B 3/0912
108/91
2005/0279260 A1* 12/2005 Stanford A47B 13/021
108/115
2007/0199483 A1* 8/2007 Peery A47B 3/0912
108/132
2008/0202390 A1* 8/2008 Branch A47B 3/087
108/35
2013/0025507 A1* 1/2013 Jin A47B 3/087
108/129
2013/0025509 A1* 1/2013 Jin A47B 3/0818
108/166
2013/0233210 A1* 9/2013 Jin A47B 3/0818
108/166
2014/0208992 A1* 7/2014 Cai A47B 3/087
108/168
2015/0101515 A1* 4/2015 Jin A47B 3/087
108/169

OTHER PUBLICATIONS

“Lifetime 80175 Fold In Half Banquet Table.” Found online Nov. 21, 2020 at www.amazon.com. Product reviewed Jan. 6, 2012. Retrieved from URL: <https://www.amazon.com/Lifetime-80175-Banquet-Table-Almond/dp/B005CLO68E> (Year: 2012).*

* cited by examiner

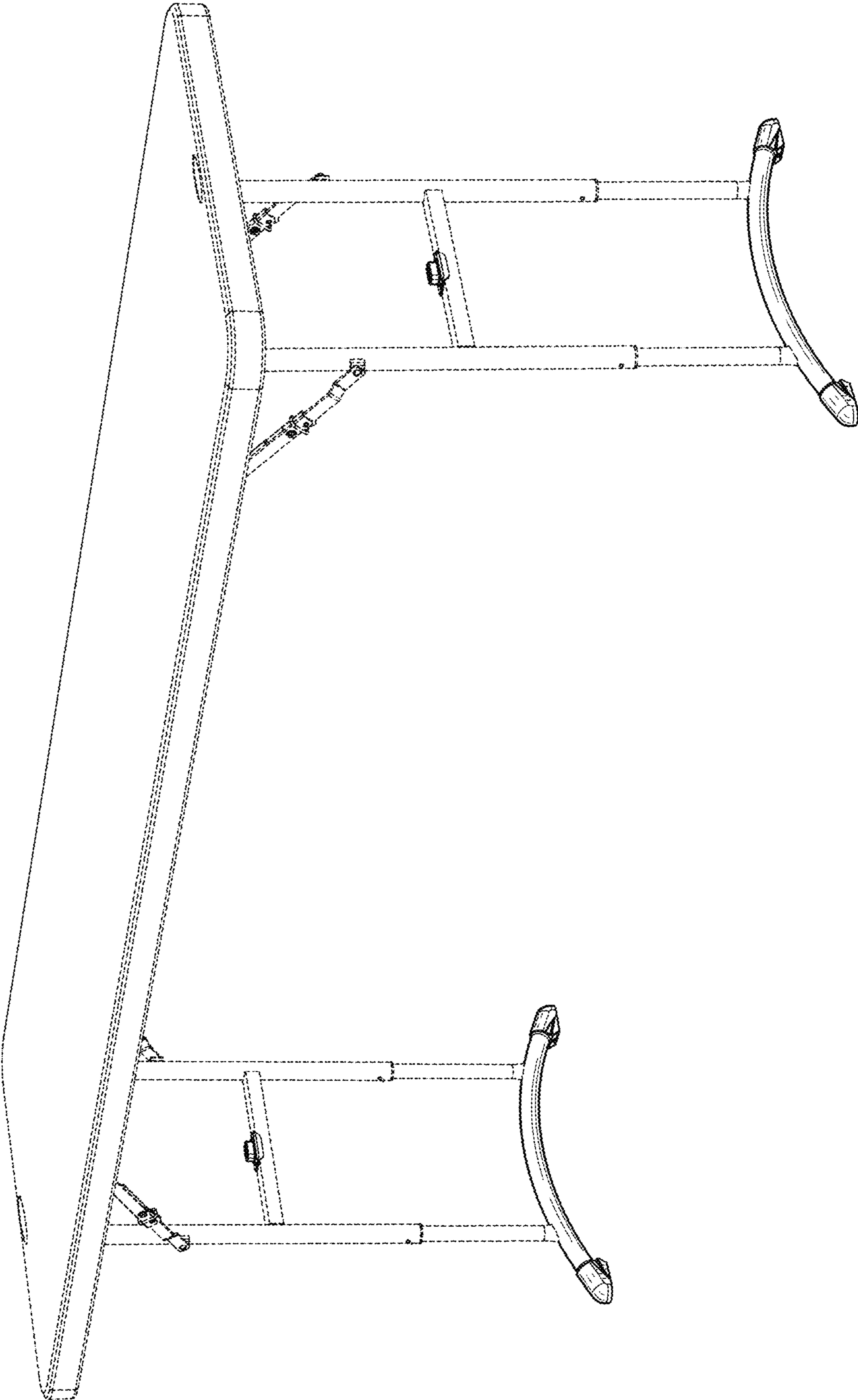


FIG. 1

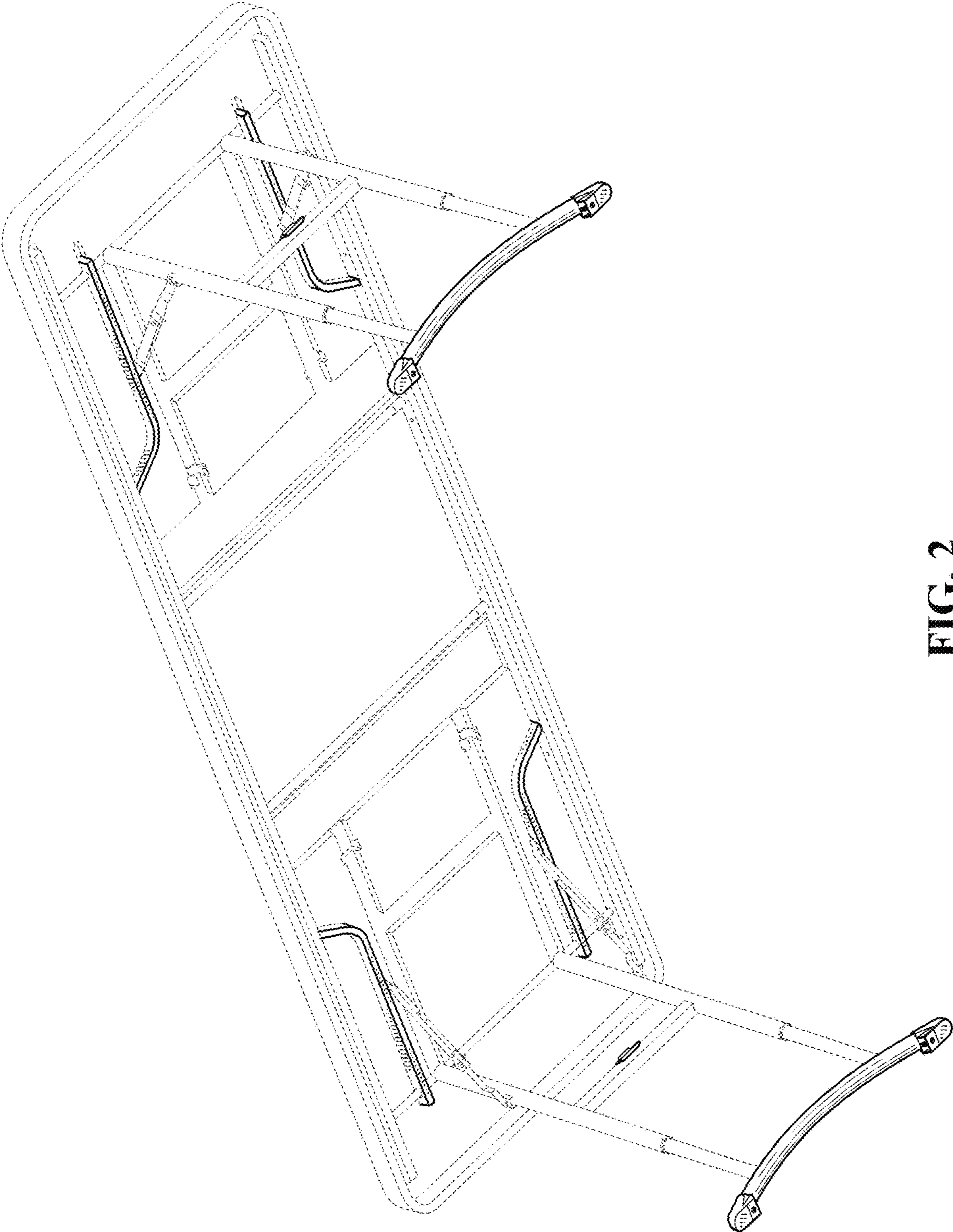


FIG. 2



FIG. 3

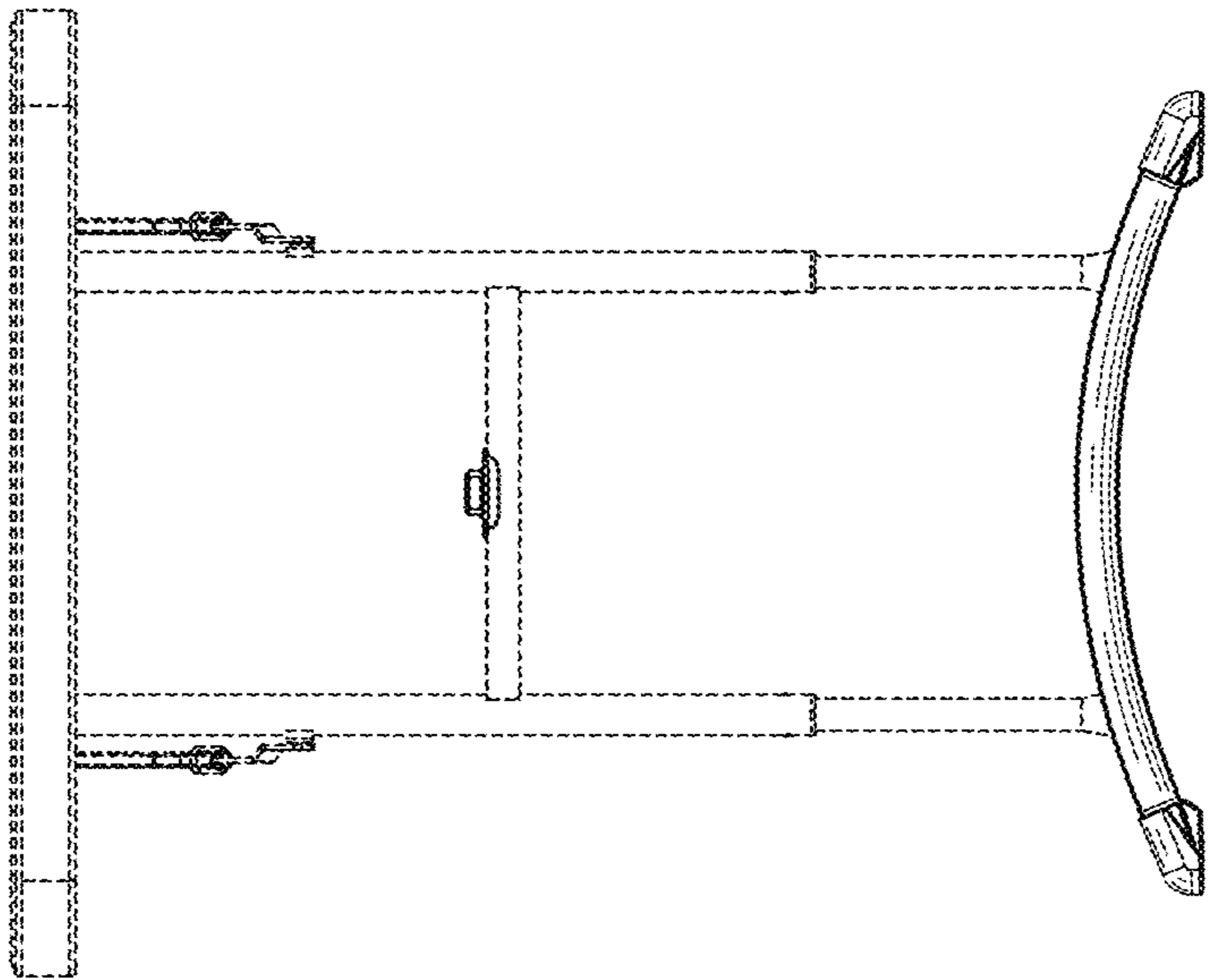


FIG. 4

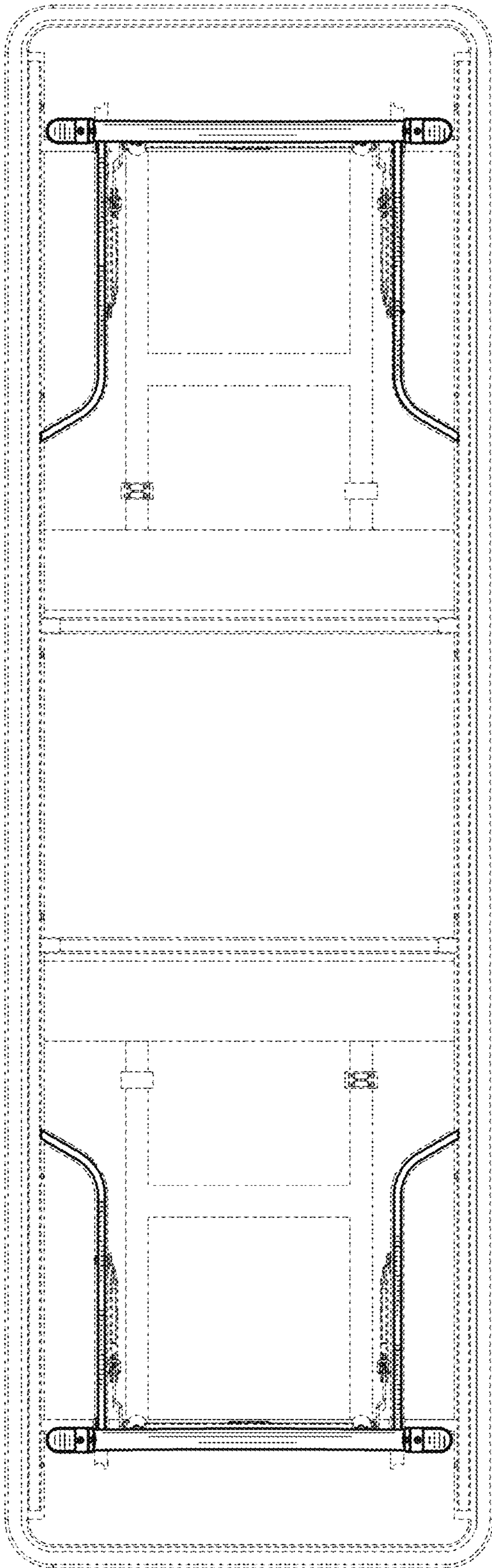


FIG. 5