



US00D907416S

(12) **United States Design Patent** (10) **Patent No.:** **US D907,416 S**
Akana et al. (45) **Date of Patent:** **** Jan. 12, 2021**

(54) **TABLE**

(71) Applicant: **Apple Inc.**, Cupertino, CA (US)

(72) Inventors: **Jody Akana**, San Francisco, CA (US); **Bartley K. Andre**, Palo Alto, CA (US); **Shota Aoyagi**, San Francisco, CA (US); **Anthony Michael Ashcroft**, San Francisco, CA (US); **Jeremy Bataillou**, San Francisco, CA (US); **Daniel J. Coster**, San Francisco, CA (US); **Daniele De Iuliis**, San Francisco, CA (US); **Christopher M. Green**, Woodside, CA (US); **M. Evans Hankey**, San Francisco, CA (US); **Julian Hoenig**, San Francisco, CA (US); **Richard P. Howarth**, San Francisco, CA (US); **Jonathan P. Ive**, San Francisco, CA (US); **Duncan Robert Kerr**, San Francisco, CA (US); **Kully Kraig Mandon**, San Francisco, CA (US); **Matthew Dean Rohrbach**, San Francisco, CA (US); **Peter Russell-Clarke**, San Francisco, CA (US); **Benjamin Andrew Shaffer**, San Jose, CA (US); **Jonathan P. Siegel**, San Francisco, CA (US); **Mikael Silvano**, San Francisco, CA (US); **Christopher J. Stringer**, Woodside, CA (US); **Eugene Antony Whang**, San Francisco, CA (US); **Rico Zörkendörfer**, San Francisco, CA (US)

(73) Assignee: **Apple Inc.**, Cupertino, CA (US)

(**) Term: **15 Years**

(21) Appl. No.: **29/672,699**

(22) Filed: **Dec. 7, 2018**

Related U.S. Application Data

(63) Continuation of application No. 29/633,254, filed on Jan. 12, 2018, now Pat. No. Des. 835,928, which is a (Continued)

(51) **LOC (13) Cl.** **06-03**

(52) **U.S. Cl.**
USPC **D6/691**; D6/691.7

(58) **Field of Classification Search**
USPC D6/691, 691.2, 691.7, 688, 688.13
(Continued)

(56) **References Cited**

U.S. PATENT DOCUMENTS

D242,001 S 10/1976 Carter
D264,289 S 5/1982 Klein
(Continued)

FOREIGN PATENT DOCUMENTS

DE 40110180 7/2003
KR 167611 8/1995
WO DM/078433 6/2012

OTHER PUBLICATIONS

Japanese Patent Office Document HB06003569, dated by JPO Oct. 31, 1993.

(Continued)

Primary Examiner — Kevin K Rudzinski

Assistant Examiner — J. Thorn, Sr.

(74) *Attorney, Agent, or Firm* — Sterne, Kessler, Goldstein & Fox P.L.L.C.

(57) **CLAIM**

The ornamental design for a table, as shown and described.

DESCRIPTION

FIG. 1 is a front perspective view of a table showing the claimed design;

FIG. 2 is a rear perspective view thereof;

FIG. 3 is a front view thereof;

FIG. 4 is a rear view thereof;

FIG. 5 is a left side view thereof;

FIG. 6 is a right side view thereof;

FIG. 7 is a top view thereof;

FIG. 8 is a bottom view thereof;

(Continued)

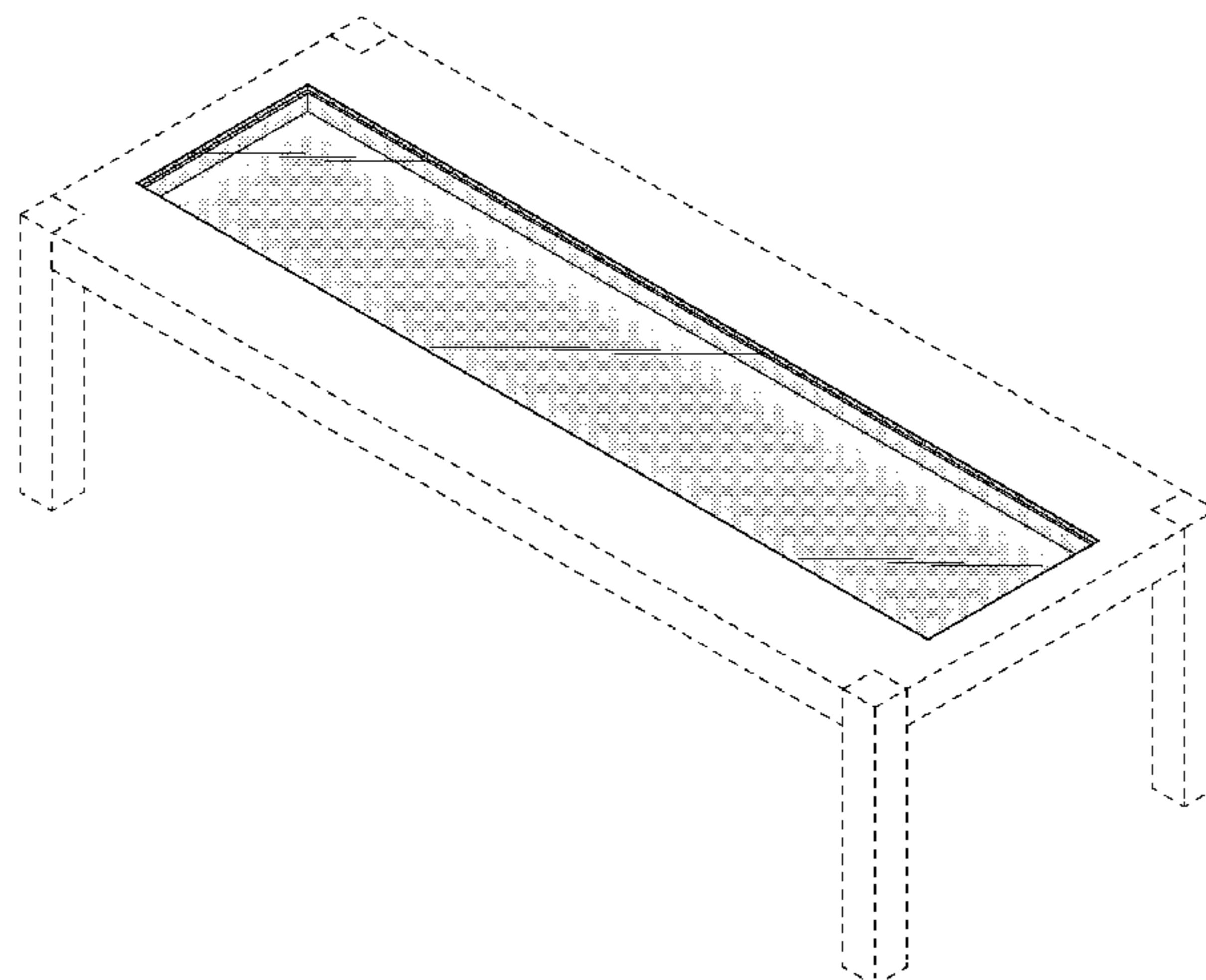


FIG. 9 is a front perspective reference view thereof showing exemplary environmental articles used therewith; and, FIG. 10 is a top reference view thereof showing the exemplary environmental articles of FIG. 9 used therewith. The broken lines in the figures show portions of the table or environment that form no part of the claimed design. The figures are shaded to show an illuminated appearance. Color forms no part of the claimed design.

1 Claim, 9 Drawing Sheets

Related U.S. Application Data

continuation of application No. 29/606,795, filed on Jun. 7, 2017, now Pat. No. Des. 810,483, which is a continuation of application No. 29/594,318, filed on Feb. 17, 2017, now Pat. No. Des. 790,262, which is a continuation of application No. 29/578,895, filed on Sep. 26, 2016, now Pat. No. Des. 779,244, which is a continuation of application No. 29/493,878, filed on Jun. 13, 2014, now Pat. No. Des. 769,654, and a continuation of application No. 29/501,029, filed on Aug. 29, 2014, now Pat. No. Des. 767,310, which is a continuation-in-part of application No. 29/493,878, filed on Jun. 13, 2014, now Pat. No. Des. 769,654.

(58) **Field of Classification Search**

CPC A47B 7/00; A47B 13/00; A47B 13/04; A47B 13/06; A47B 91/005; A47B 3/00; A47B 3/0818; A47B 17/00

See application file for complete search history.

(56) **References Cited**

U.S. PATENT DOCUMENTS

D264,291 S	5/1982	Haigh
4,765,253 A	8/1988	Schappach
D399,684 S	10/1998	Glass
D407,245 S	3/1999	Lewis
D424,841 S	5/2000	Newhouse
D426,405 S	6/2000	Newhouse
D447,892 S	9/2001	Shih
D453,083 S	1/2002	Hokanson
D459,621 S	7/2002	O'Hare et al.
D468,562 S	1/2003	Chang
D484,717 S	1/2004	De Blois
D487,655 S	3/2004	Varsi
D493,306 S	7/2004	Britschgi
D503,298 S	3/2005	Juneau
D513,676 S	1/2006	Vaaler
D518,981 S	4/2006	O'Hare
D522,274 S	6/2006	Coval
D531,431 S	11/2006	Domack et al.
D575,081 S	8/2008	Miyakawa
D585,218 S	1/2009	Hamilton et al.
D590,185 S	4/2009	Karashima
D591,079 S	4/2009	Singler et al.
D591,979 S	5/2009	Singler et al.
D604,063 S	11/2009	Oshinomi et al.

D613,968 S	4/2010	Lambert
D620,288 S	7/2010	Stiker Metral
D647,333 S	10/2011	Navone
D649,380 S	11/2011	Townsend
D655,949 S	3/2012	Villiers et al.
D657,978 S	4/2012	Hamm et al.
D659,433 S	5/2012	Starck
D661,129 S	6/2012	Schweikarth et al.
D670,104 S	11/2012	Li et al.
D675,462 S	2/2013	Petrovich
D678,696 S	3/2013	Hamm et al.
D679,521 S	4/2013	Hamm et al.
D688,494 S	8/2013	Hamm et al.
D693,156 S	11/2013	Hamm et al.
D713,658 S	9/2014	Tio et al.
D725,947 S	4/2015	Tio et al.
D726,460 S	4/2015	Amon et al.
D728,281 S	5/2015	Heirakuji et al.
D729,560 S	5/2015	Hamm et al.
D734,965 S	7/2015	Tio et al.
D736,017 S	8/2015	Rose
D753,419 S	4/2016	Heirakuji et al.
D758,106 S	6/2016	Hamm et al.
D766,630 S	9/2016	Akana et al.
D766,631 S	9/2016	Akana et al.
D766,632 S	9/2016	Akana et al.
D767,310 S	9/2016	Akana et al.
D769,654 S	10/2016	Akana et al.
D773,868 S	12/2016	Schwalbach et al.
D779,244 S	2/2017	Akana et al.
D780,491 S	3/2017	Magargee et al.
D781,086 S	3/2017	Velez et al.
D788,506 S	6/2017	Choi
D790,262 S	6/2017	Akana et al.
D799,250 S	10/2017	Schwalbach et al.
D799,866 S	10/2017	Pocci et al.
D810,482 S	2/2018	Modlin
D810,483 S *	2/2018	Akana D6/691.7
D815,474 S *	4/2018	Modlin D6/691.2
D833,789 S	11/2018	Schwalbach et al.
D869,867 S *	12/2019	Davis D6/349
D874,856 S *	2/2020	Davis D6/691.1
D882,311 S *	4/2020	Davis D6/691
D896,011 S *	9/2020	Velez D6/691
2005/0268823 A1	12/2005	Bakker et al.
2006/0096506 A1	5/2006	Brauning et al.
2009/0095204 A1	4/2009	Levy et al.
2010/0290215 A1	11/2010	Metcalf et al.
2015/0150370 A1	6/2015	Korb et al.
2016/0064995 A1	3/2016	Schwalbach et al.
2016/0255957 A1	9/2016	Tsuchiyama et al.
2017/0051771 A1	2/2017	Feinstein

OTHER PUBLICATIONS

Japanese Patent Office Document HA14019873, dated by JPO Dec. 1, 2012.
 Japanese Patent Office Document HA24006766, dated by JPO Sep. 1, 2012.
 Japanese Patent Office Document HC13007386.
 Valentina Palladino, "Apple Store Receives Trademark for 'Distinctive Design and Layout,'" Wired.com, dated Jan. 30, 2013, accessed at <<http://www.wired.com/2013/01/apple-store-trademark/>>, accessed on Oct. 10, 2014, 2 pages.

* cited by examiner

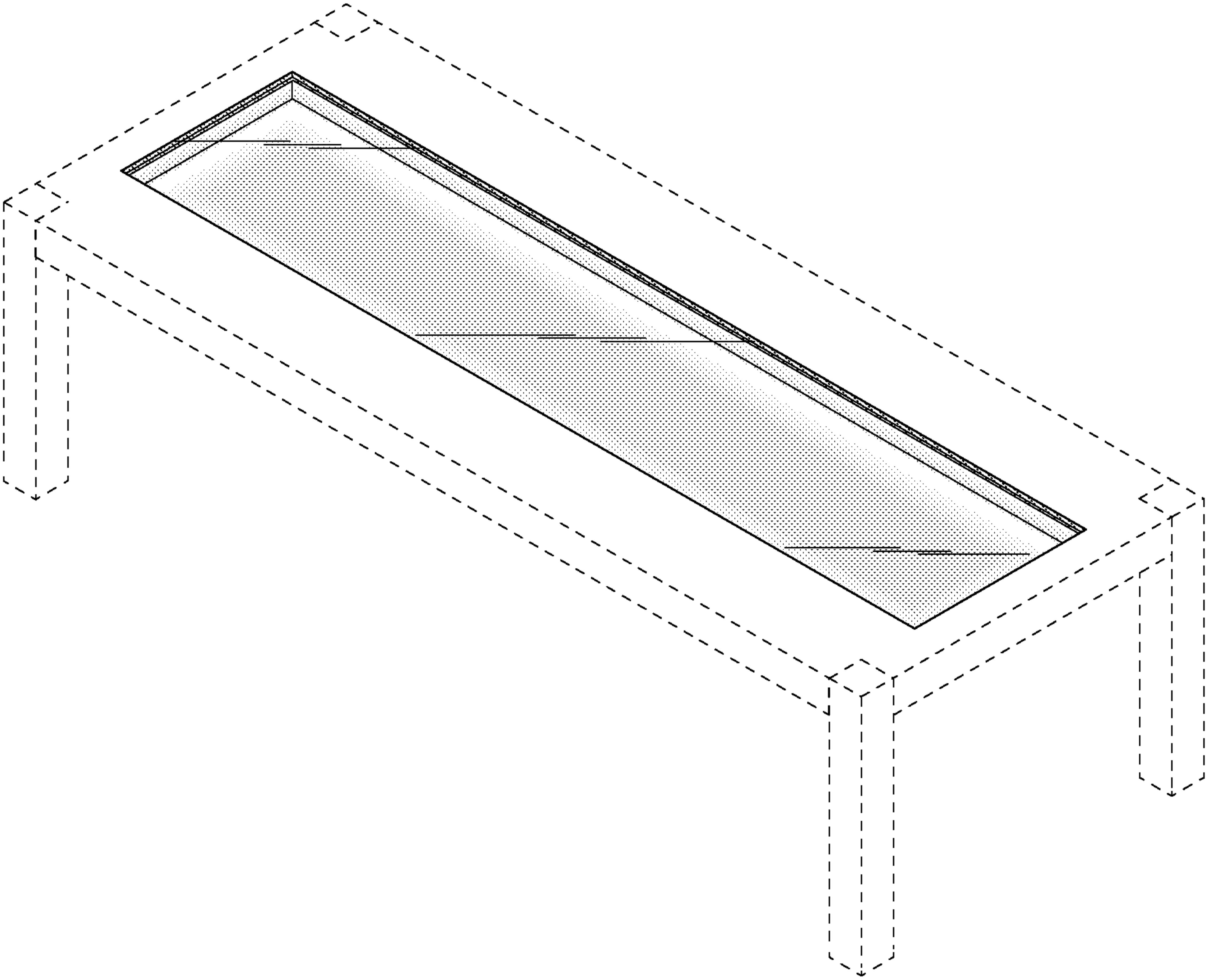


FIG. 1

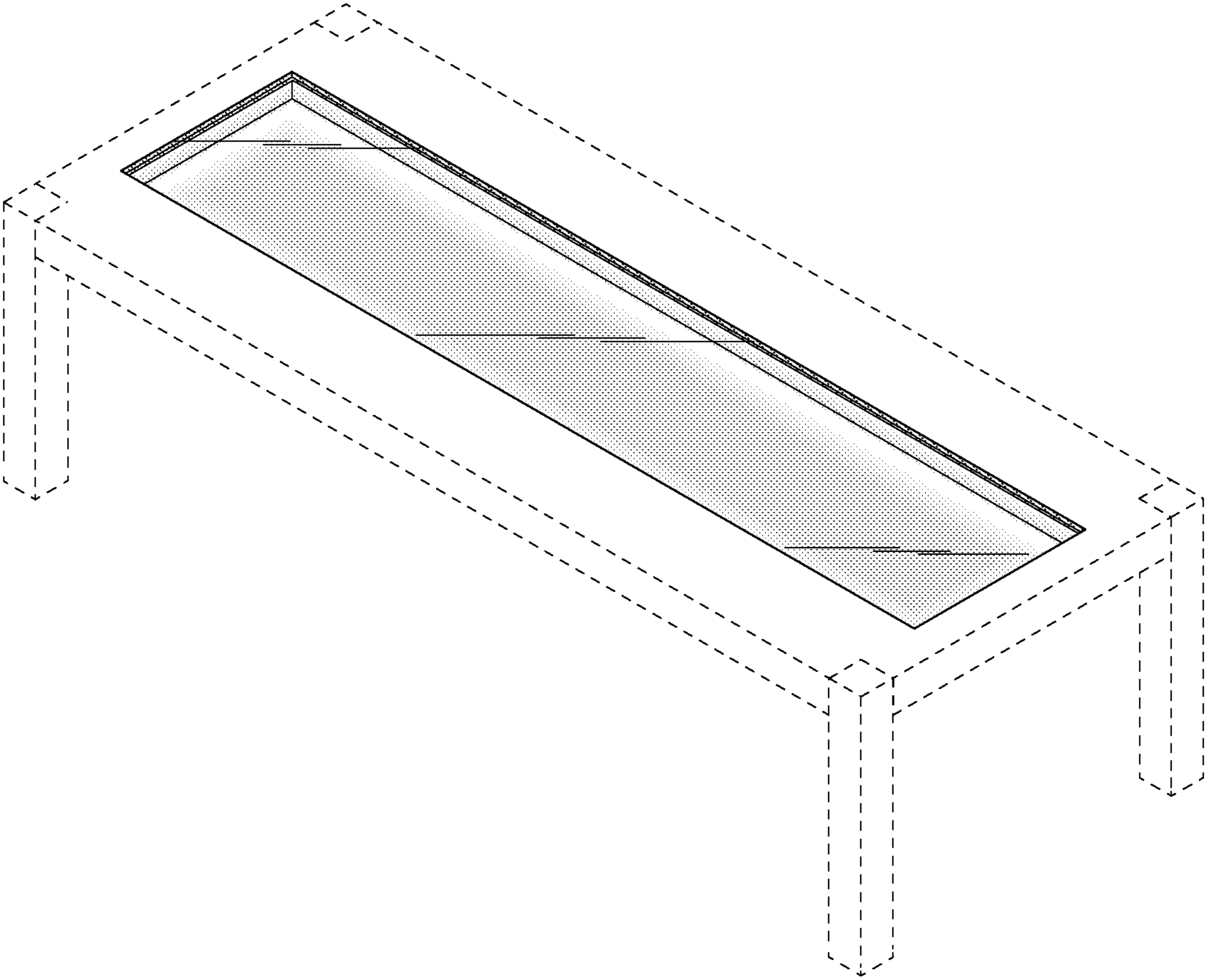


FIG. 2

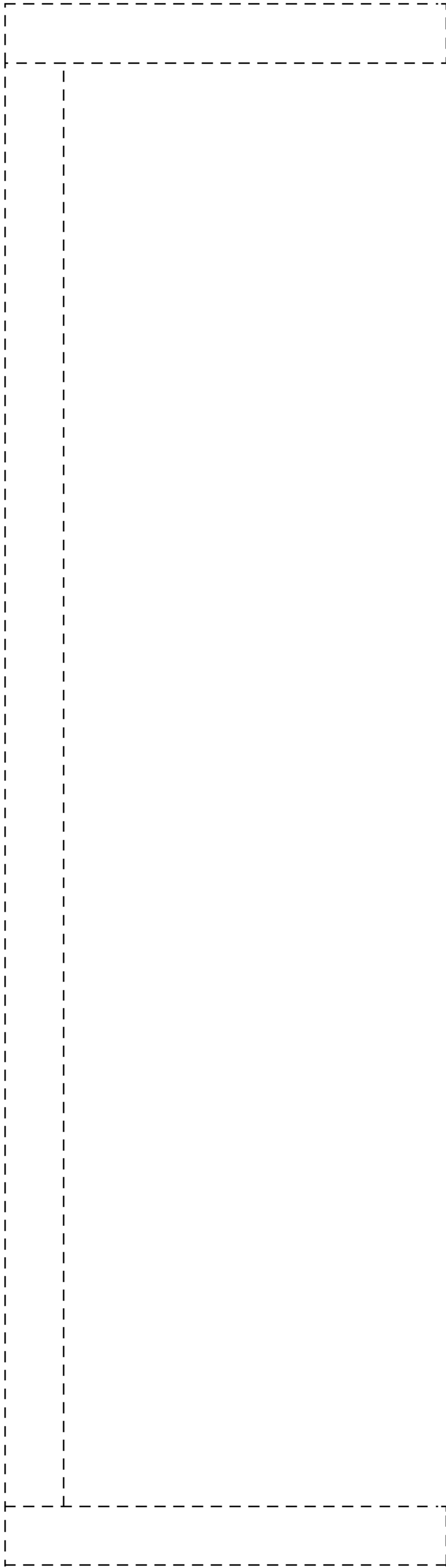


FIG. 3

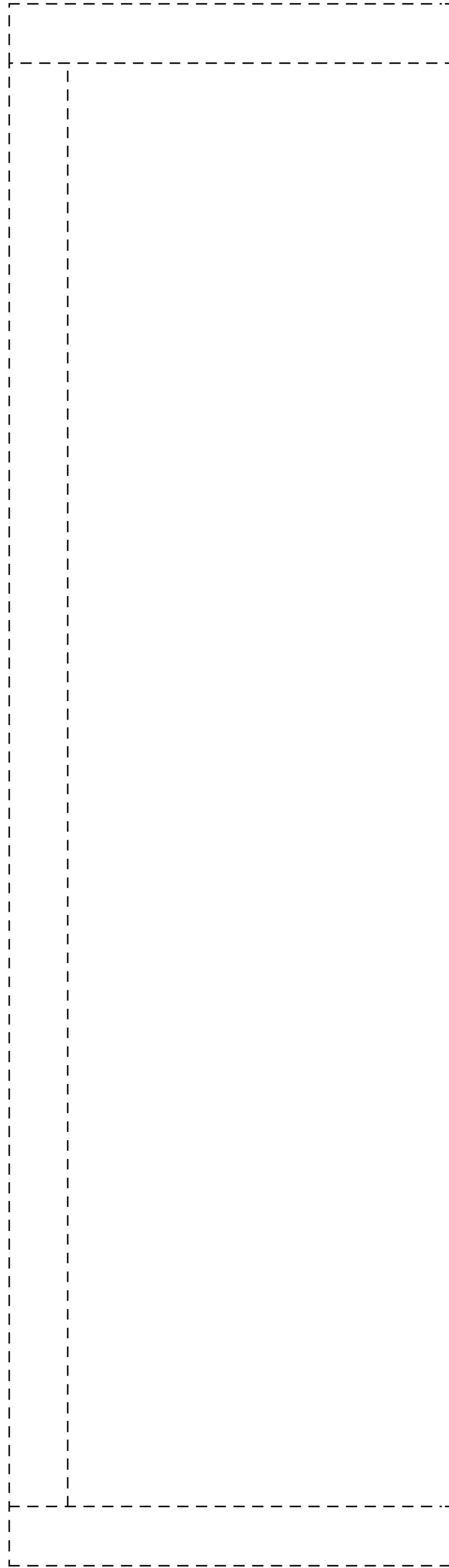


FIG. 4

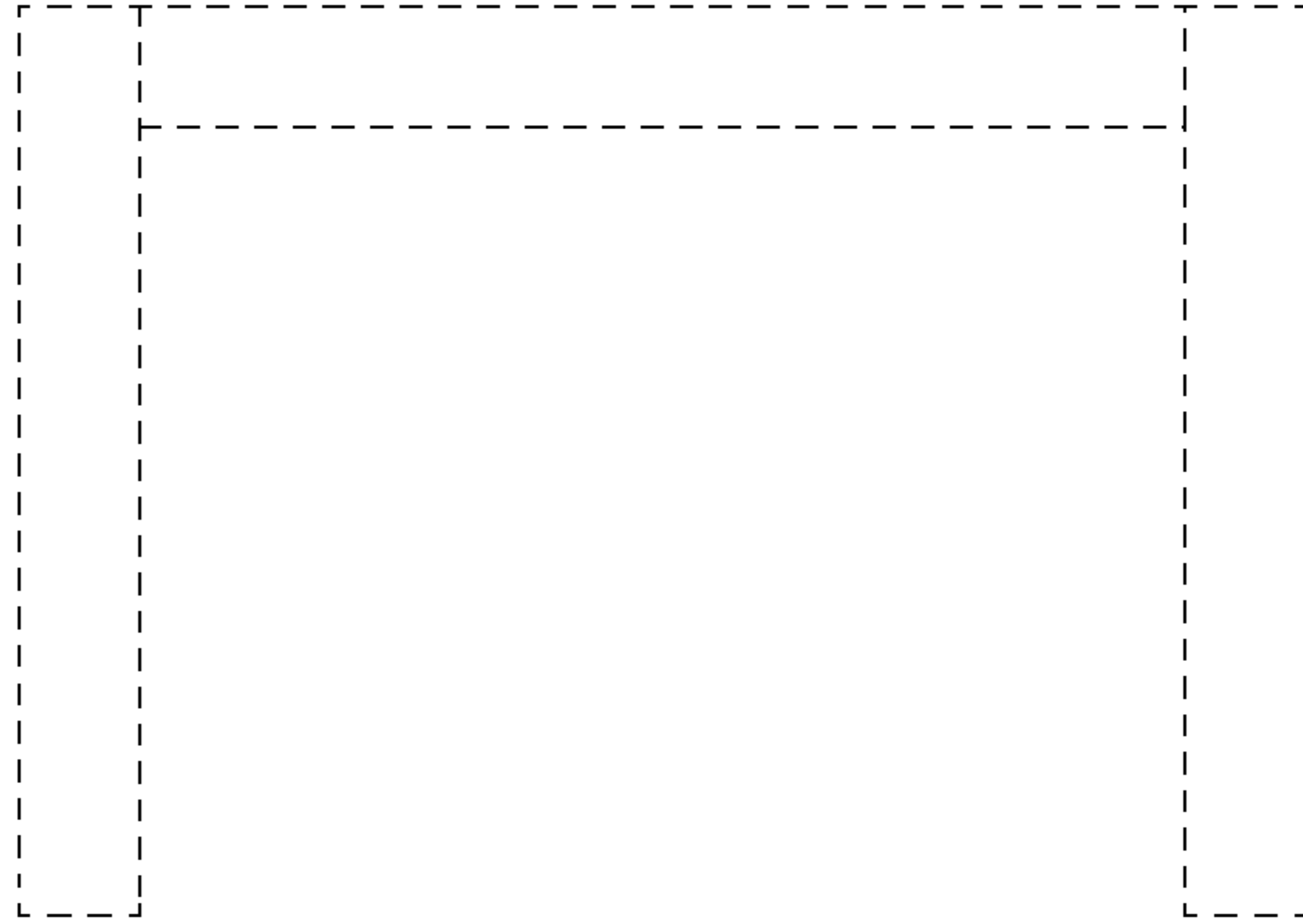


FIG. 5

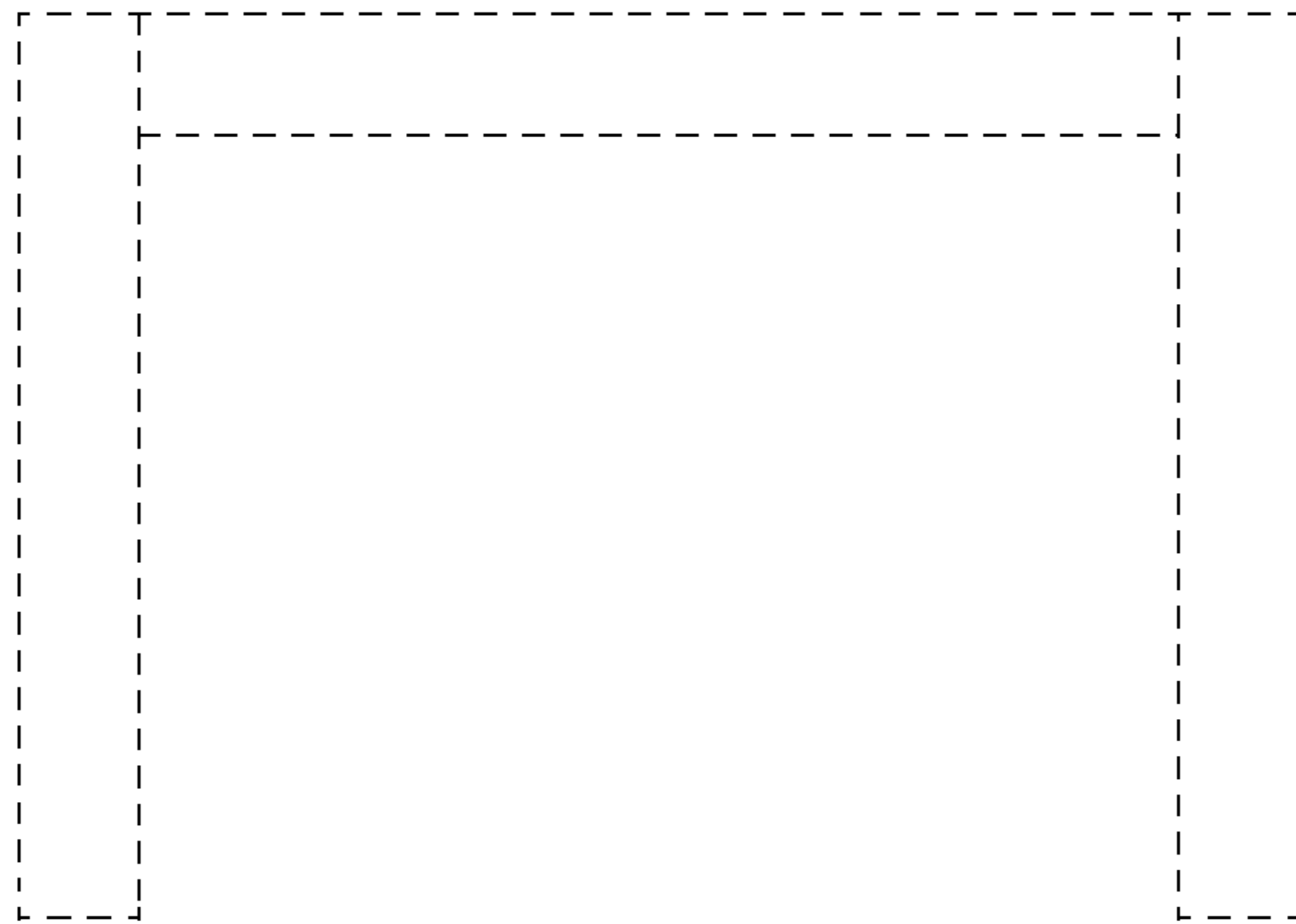


FIG. 6

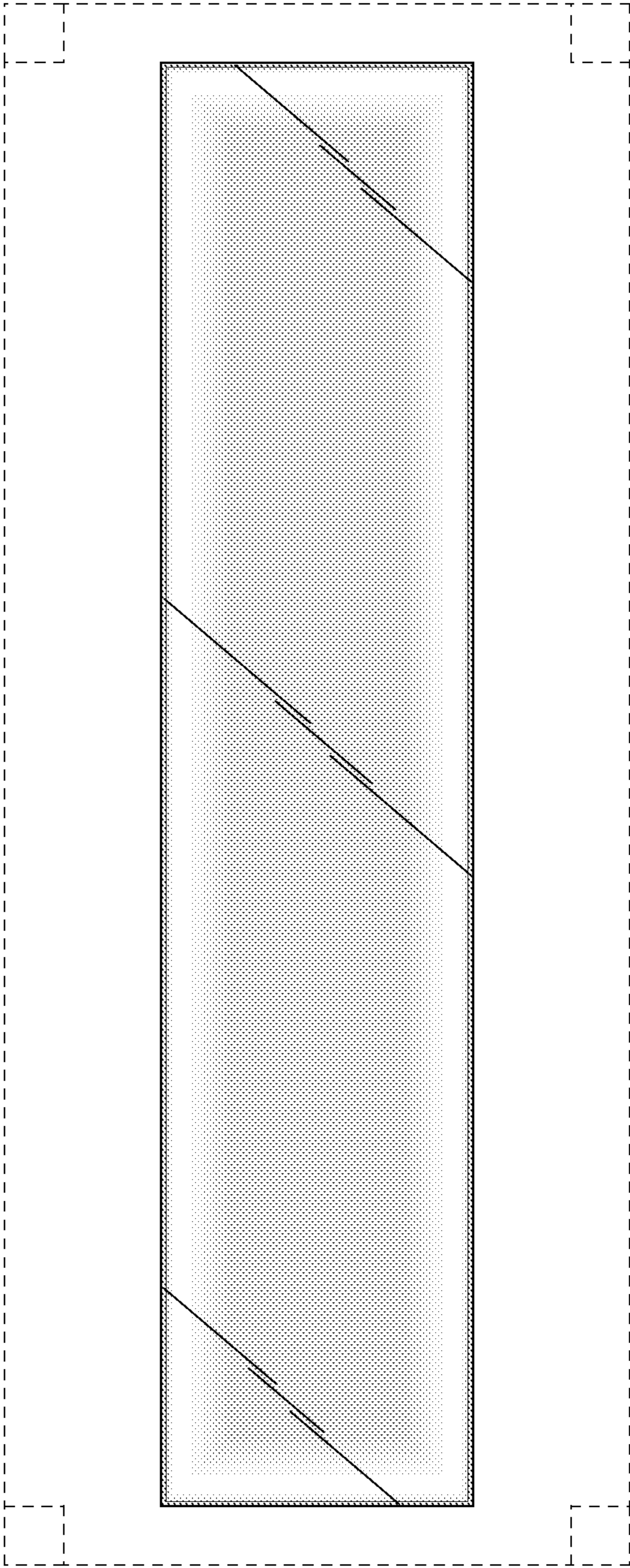


FIG. 7

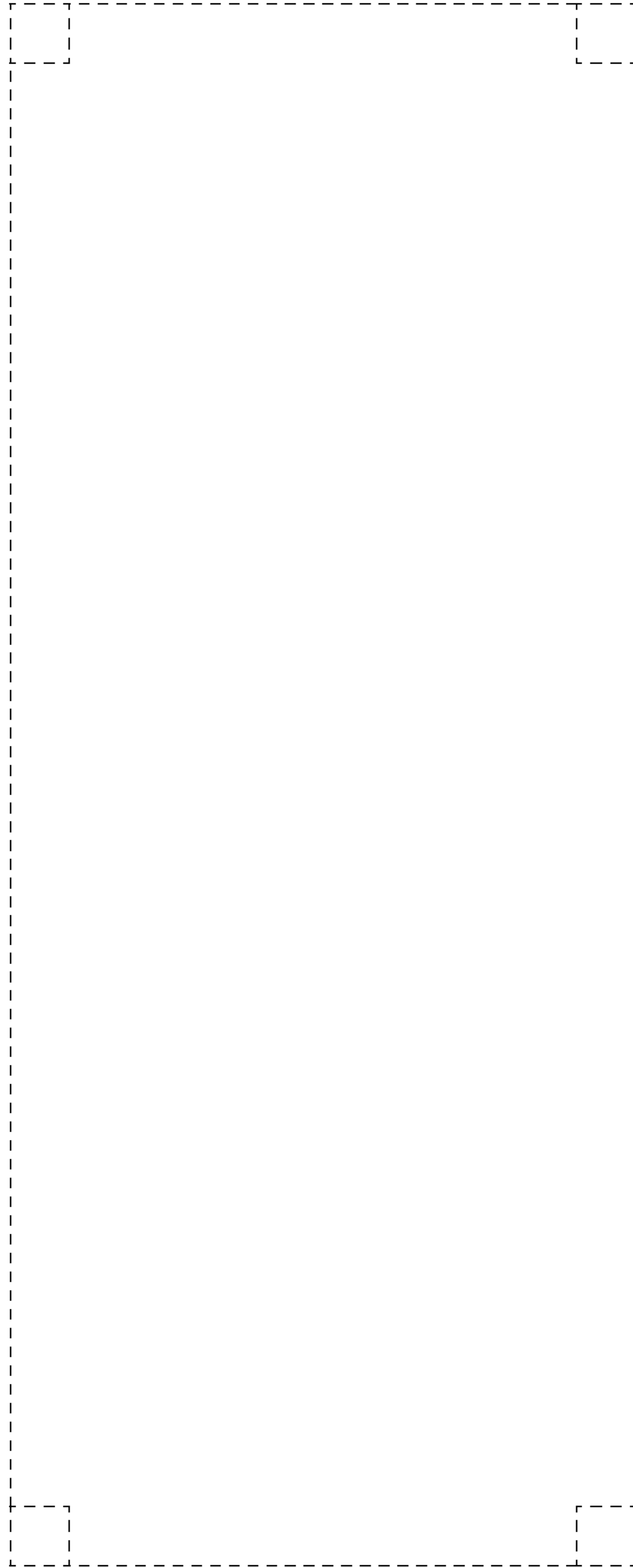


FIG. 8

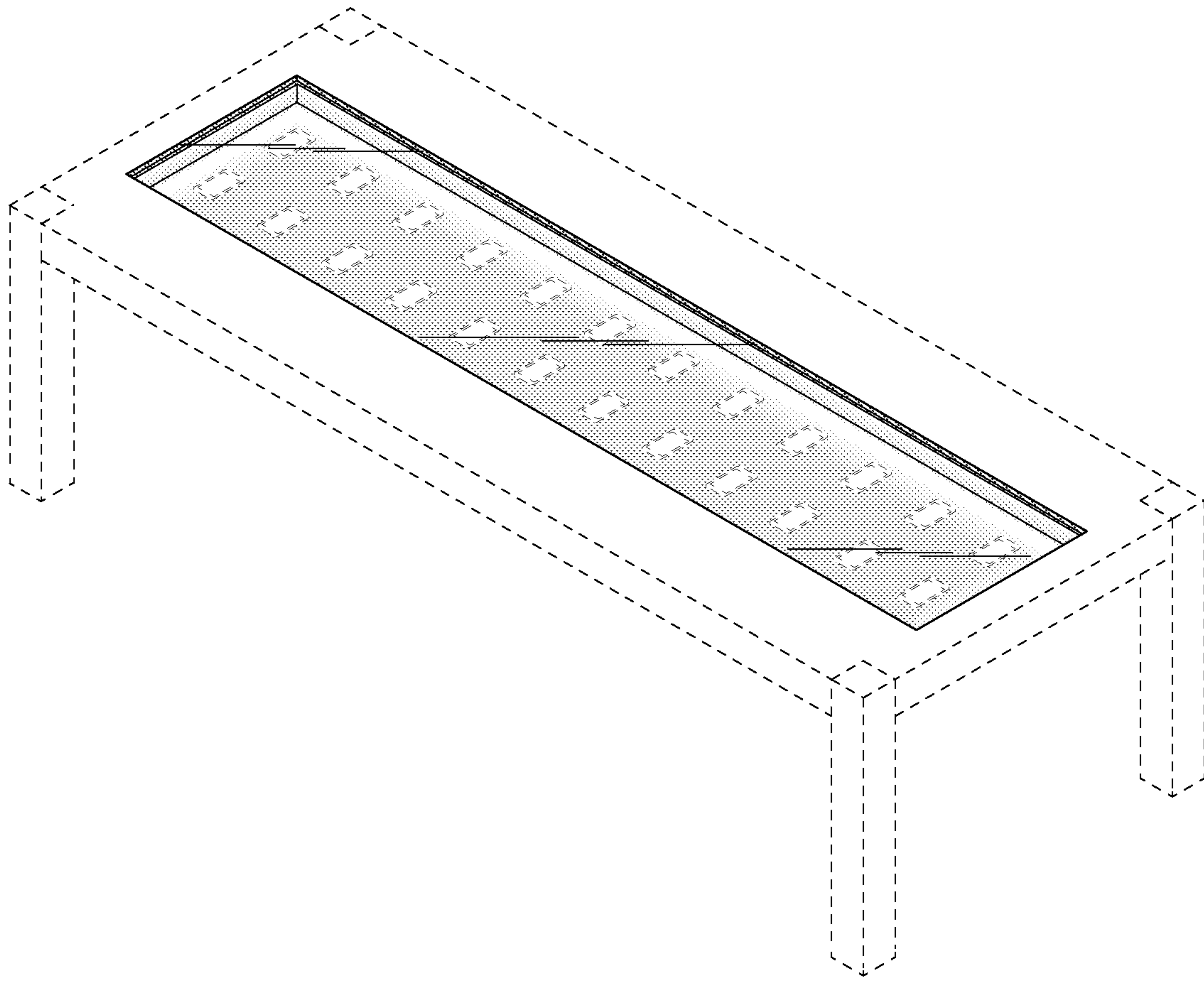


FIG. 9

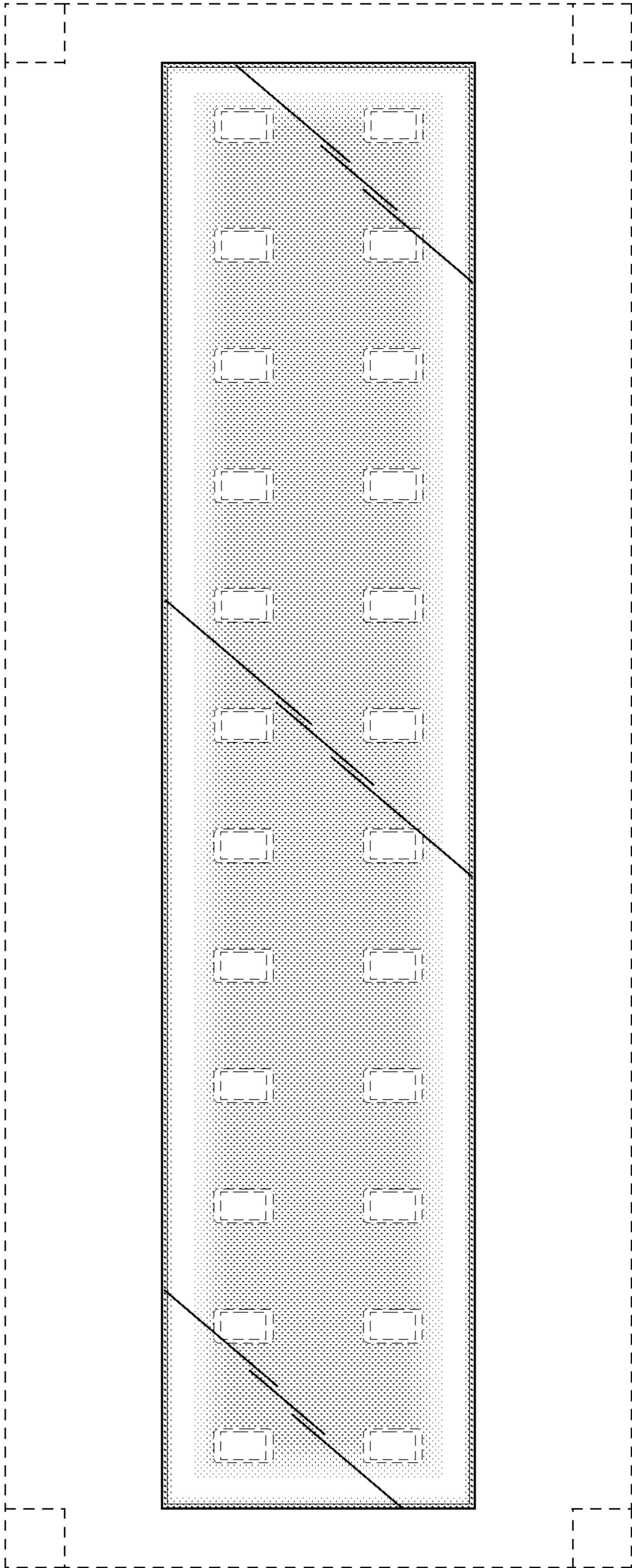


FIG. 10