



US00D907414S

(12) **United States Design Patent** (10) **Patent No.:** **US D907,414 S**
Li (45) **Date of Patent:** **** Jan. 12, 2021**

(54) **CORNER SHELF RACK AND STORAGE UNIT**

(71) Applicant: **XIAMEN GOLDEN HUANAN IMP. & EXP. CO., LTD.**, Xiamen (CN)

(72) Inventor: **Jinjiang Li**, Xiamen (CN)

(**) Term: **15 Years**

(21) Appl. No.: **29/693,815**

(22) Filed: **Jun. 5, 2019**

(51) **LOC (13) Cl.** **06-06**

(52) **U.S. Cl.**
USPC **D6/676.1**

(58) **Field of Classification Search**
USPC D6/672, 673, 677, 677.1, 702, 705, 512,
D6/675, 675.1, 676, 676.1; D7/601, 602
CPC A47J 47/16; A47G 19/02; A47G 23/06;
A47F 5/0018; A47F 5/0043; A47F 5/04;
A47F 5/08; B65D 1/00; B65D 99/008;
A47B 23/04

See application file for complete search history.

(56) **References Cited**

U.S. PATENT DOCUMENTS

D91,769 S * 3/1934 Duval D6/676.1
D304,398 S * 11/1989 Goetz D6/676.1
D314,477 S * 2/1991 Richter D6/676.1
D325,137 S * 4/1992 Porter D6/676.1

D327,795 S * 7/1992 Kee D6/676.2
D382,733 S * 8/1997 Goetz D6/676.1
D454,266 S * 3/2002 Kelley D6/676.1
D713,181 S * 9/2014 Cohen D6/676.1
D784,738 S * 4/2017 Wang D6/683.1
D861,397 S * 10/2019 Cohen D6/676.1
D878,117 S * 3/2020 Gelman D6/676.1
D885,093 S * 5/2020 Gelman D6/676.1

OTHER PUBLICATIONS

<https://www.target.com/p/5-tier-corner-ladder-display-shelving-unit-metal-38-distressed-wood-danya-b/-/A-77645503>.*

* cited by examiner

Primary Examiner — Kelley A Donnelly
(74) *Attorney, Agent, or Firm* — Erson IP (Nelson IP)

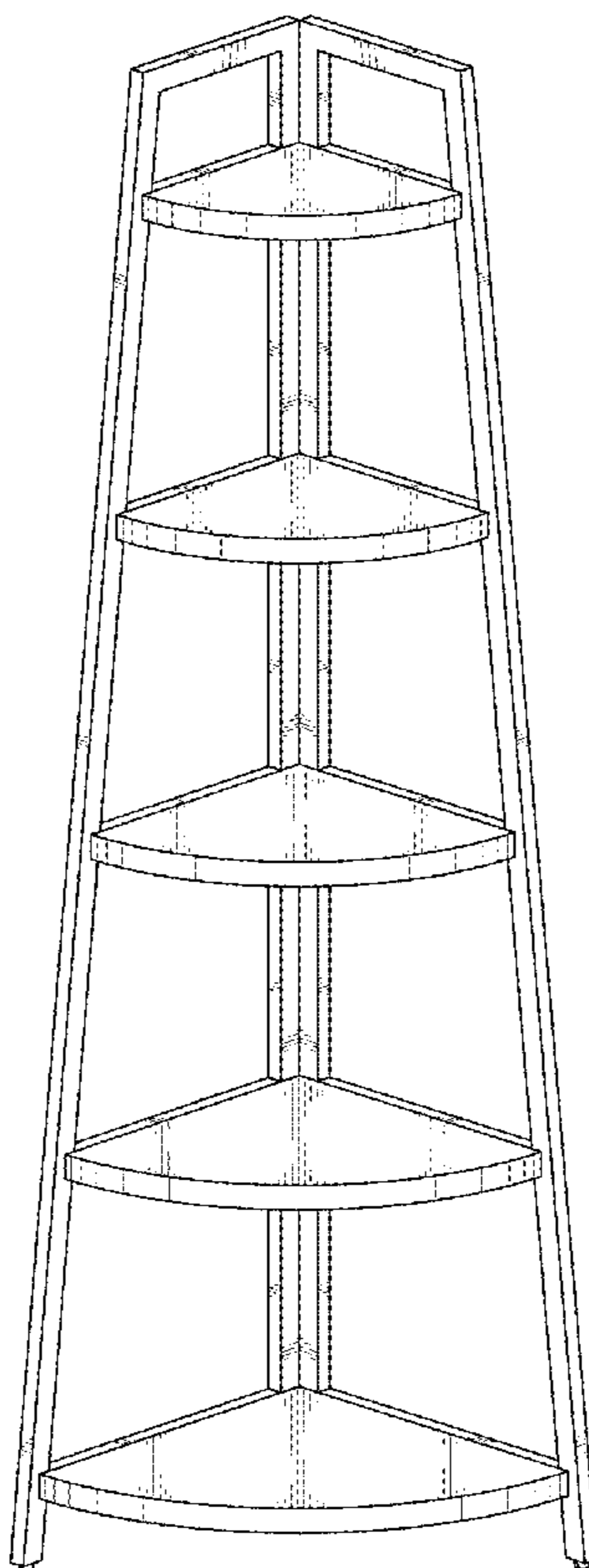
(57) **CLAIM**

The ornamental design for a corner shelf rack and storage unit, as shown and described.

DESCRIPTION

FIG. 1 is a perspective view of a corner shelf rack and storage unit showing my new design;
FIG. 2 is a front view thereof;
FIG. 3 is a rear view thereof;
FIG. 4 is a left side view thereof;
FIG. 5 is a right side view thereof;
FIG. 6 is a top plan view thereof; and,
FIG. 7 is a bottom plan view thereof.

1 Claim, 7 Drawing Sheets



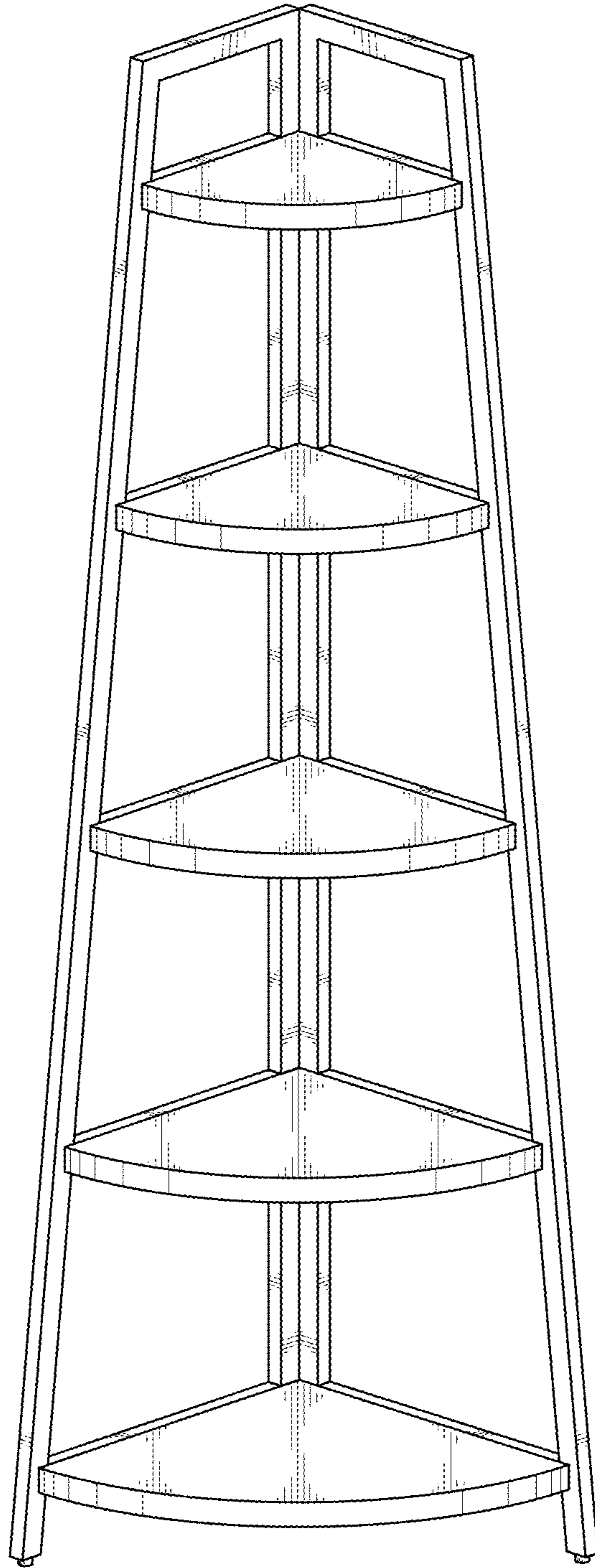


FIG. 1

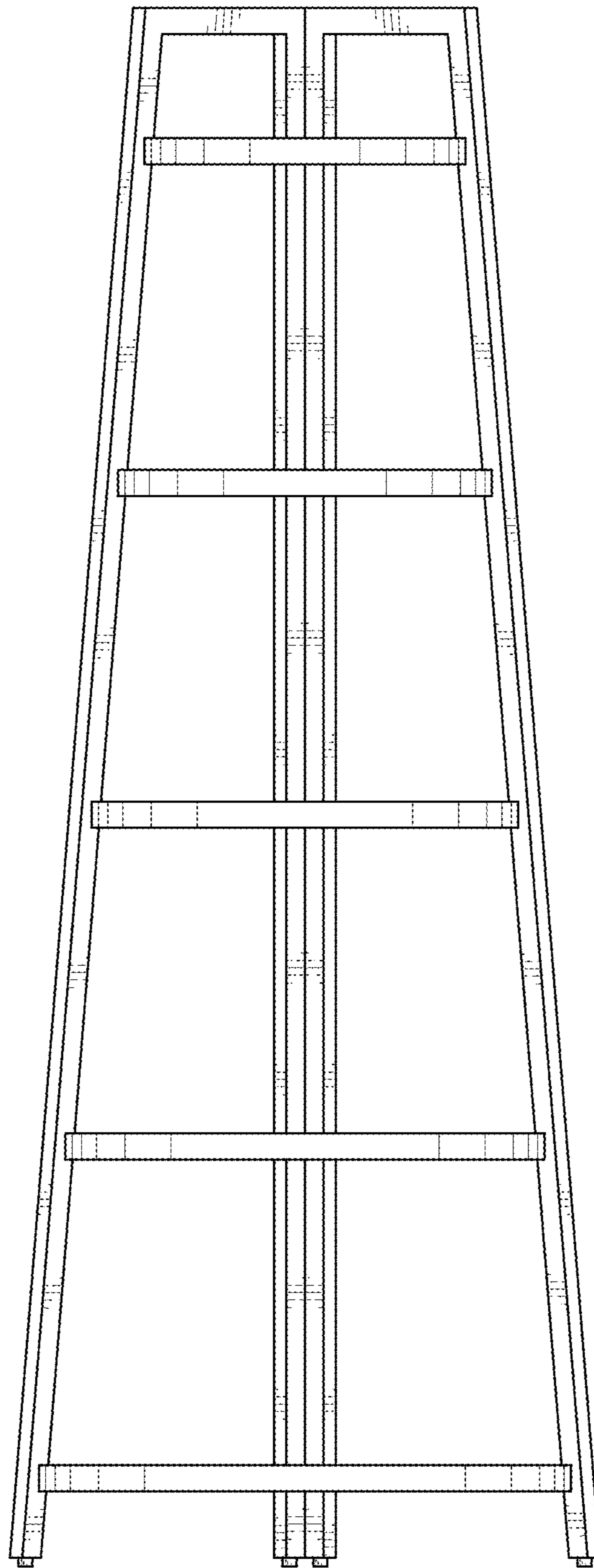


FIG. 2

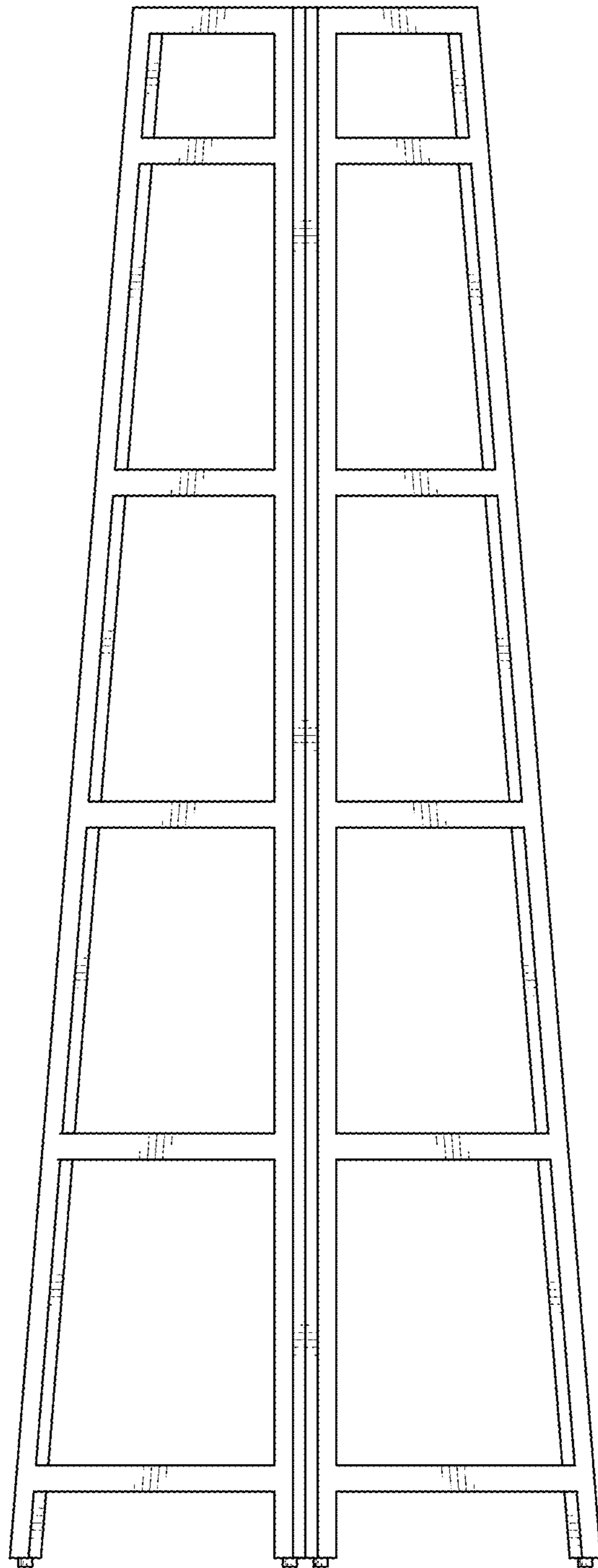


FIG. 3

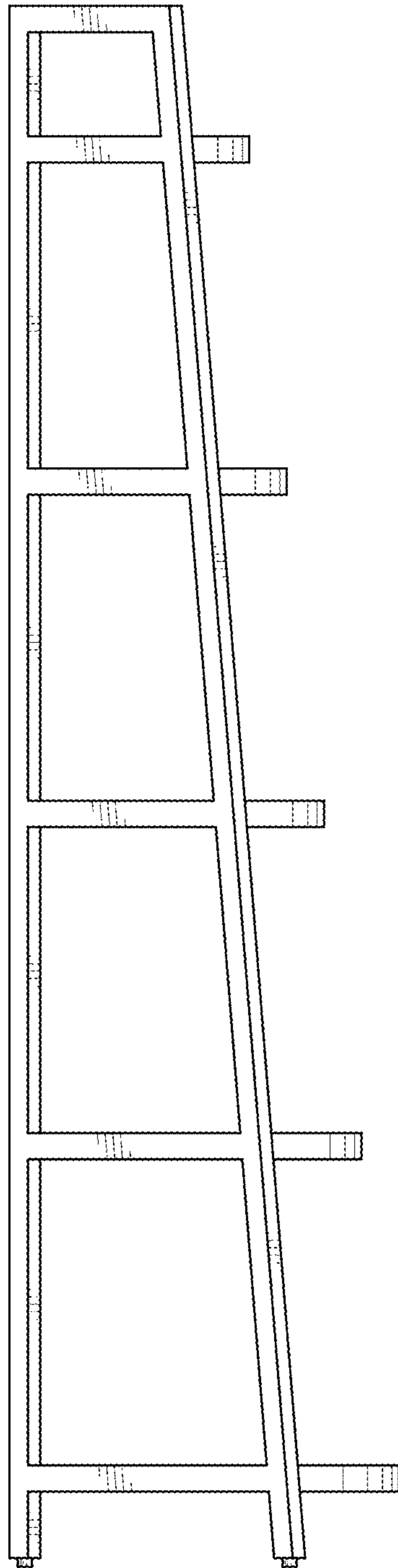


FIG. 4

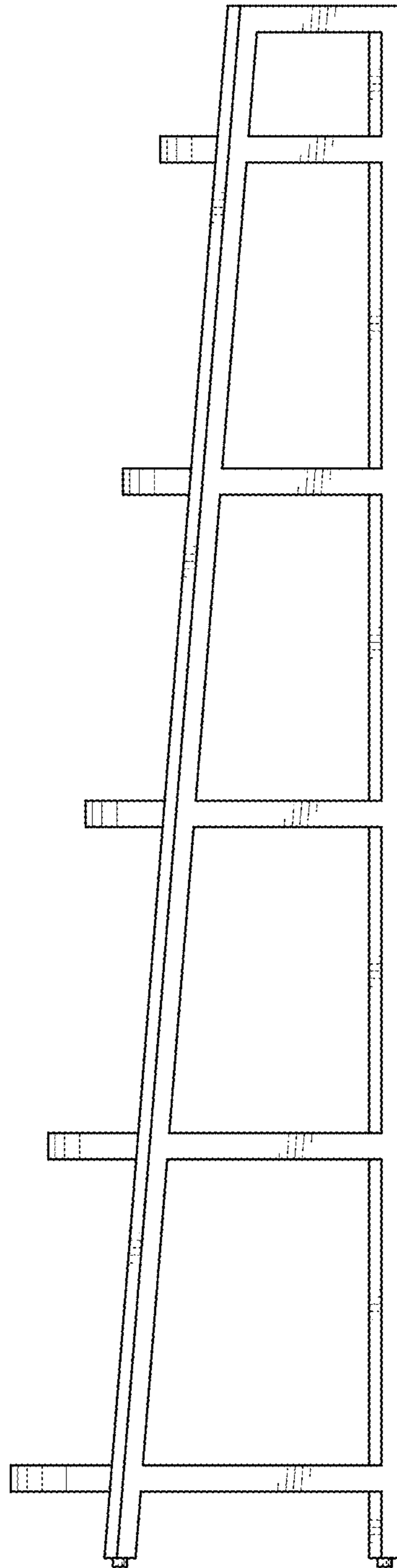


FIG. 5

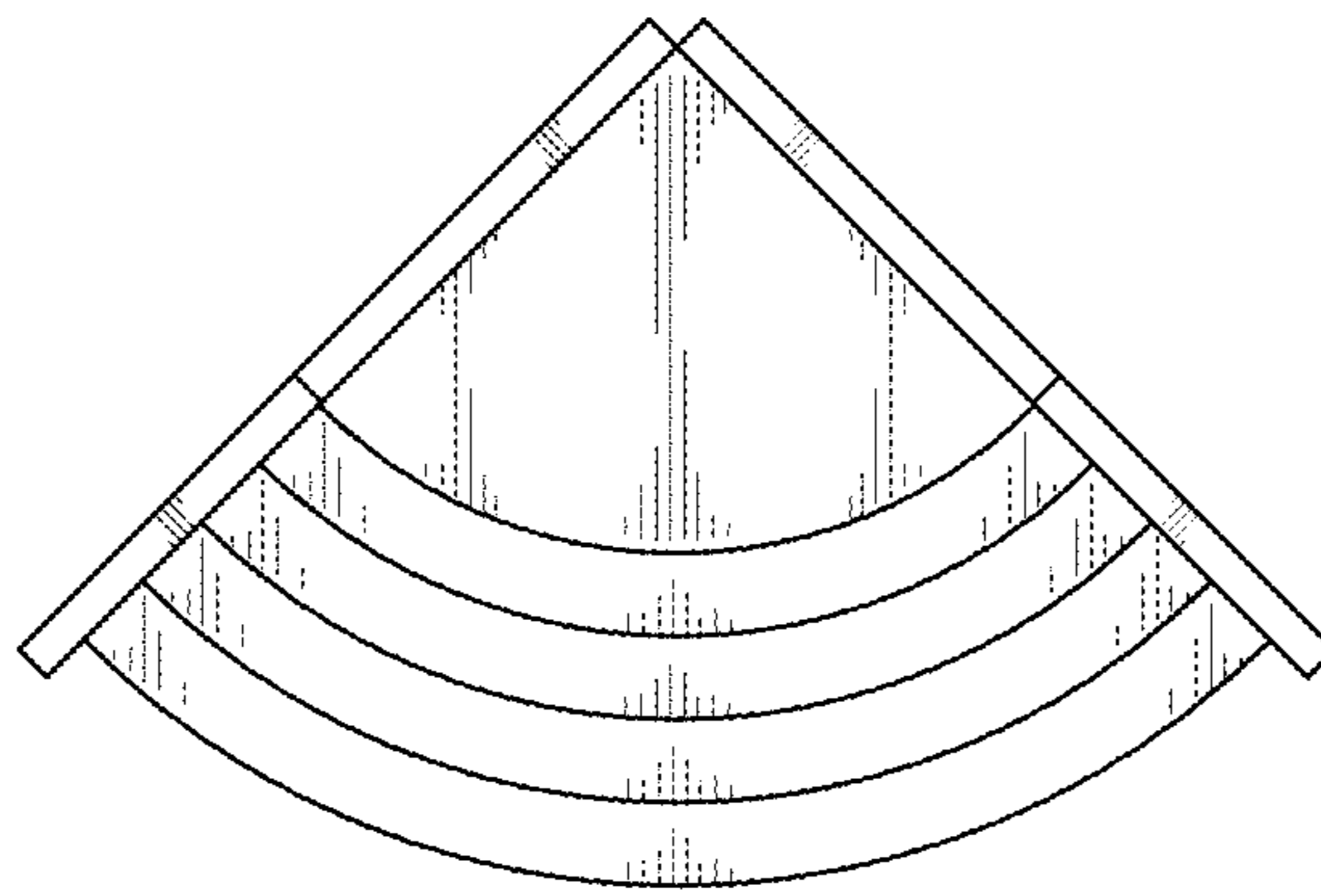


FIG. 6

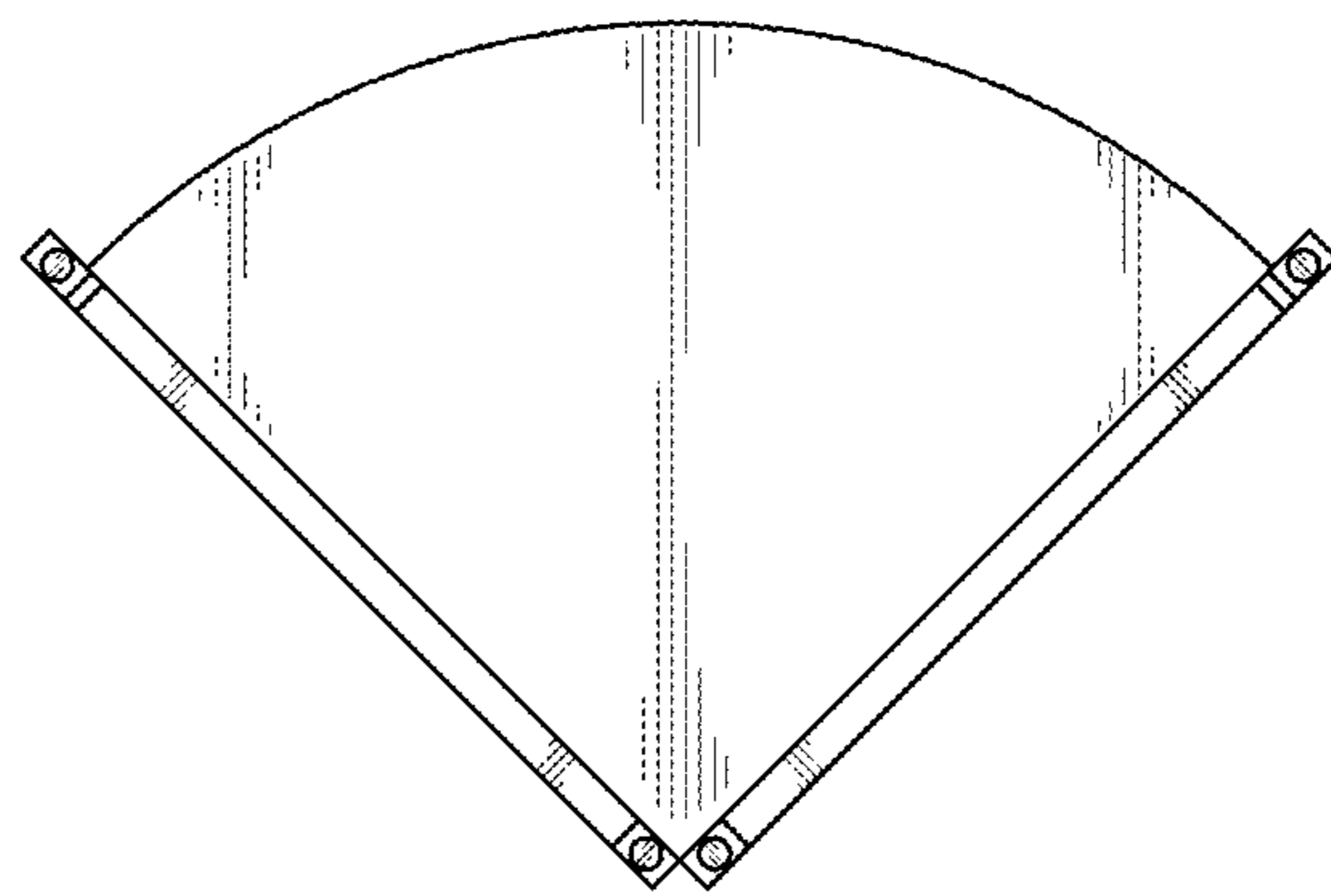


FIG. 7