



US00D907412S

(12) **United States Design Patent**
Inouye et al.

(10) **Patent No.:** **US D907,412 S**
(45) **Date of Patent:** **** Jan. 12, 2021**

(54) **RETAIL FIXTURE**
(71) Applicant: **Apple Inc.**, Cupertino, CA (US)
(72) Inventors: **Allison Inouye**, San Francisco, CA (US); **Jean-Marc Gady**, Los Altos, CA (US); **Ismael Flores Trujano**, San Jose, CA (US); **Gregory Guillaume Lespinard**, San Jose, CA (US); **Mi Zou**, San Francisco, CA (US); **Po Huang**, San Jose, CA (US); **Wesley Bryan Hamm**, San Francisco, CA (US); **Russell John Kaaihue Heirakuji**, Cupertino, CA (US); **Joshua Robert Edwards**, Santa Cruz, CA (US); **Nicholas E. Corti**, San Francisco, CA (US); **Manuel Dejesus**, San Francisco, CA (US); **Alice Marlin Brugger**, San Francisco, CA (US)

D321,100 S * 10/1991 Dorrell D6/683.1
D590,630 S * 4/2009 Singler D6/663
D591,078 S * 4/2009 Singler D14/307
D591,974 S * 5/2009 Singler D6/663
D683,982 S * 6/2013 Kikkert D6/674
D684,792 S * 6/2013 Kikkert D6/674
D685,205 S * 7/2013 Kikkert D6/674
D713,658 S * 9/2014 Tio D6/675
D734,965 S * 7/2015 Tio D6/675
D756,137 S * 5/2016 Abelmann D6/336
D758,106 S * 6/2016 Hamm D6/672
D769,651 S 10/2016 Tio et al.
D770,203 S * 11/2016 Thaler D6/673
D779,240 S * 2/2017 Tio D6/675
D790,260 S * 6/2017 Tio D6/675
D806,447 S * 1/2018 Burton D6/657
D824,702 S * 8/2018 Tio D6/675
D852,274 S * 6/2019 Lim D20/39
D867,035 S 11/2019 Brugger et al.
D867,036 S 11/2019 Brugger et al.
D877,548 S * 3/2020 Brugger D6/675

(Continued)

(73) Assignee: **Apple Inc.**, Cupertino, CA (US)
(**) Term: **15 Years**

Primary Examiner — Kelley A Donnelly
(74) *Attorney, Agent, or Firm* — Sterne, Kessler, Goldstein & Fox P.L.L.C.

(21) Appl. No.: **29/713,506**
(22) Filed: **Nov. 15, 2019**
(51) **LOC (13) Cl.** **06-06**
(52) **U.S. Cl.**
USPC **D6/675.1**
(58) **Field of Classification Search**
USPC D6/672, 675, 675.1, 678, 678.1, 682, D6/682.3, 682.4, 683, 683.1
CPC A47B 73/00; A47B 73/002; A47B 47/00; A47B 47/008; A47B 47/25; A47F 5/00; A47F 5/0062
See application file for complete search history.

(57) **CLAIM**

The ornamental design for a retail fixture, as shown and described.

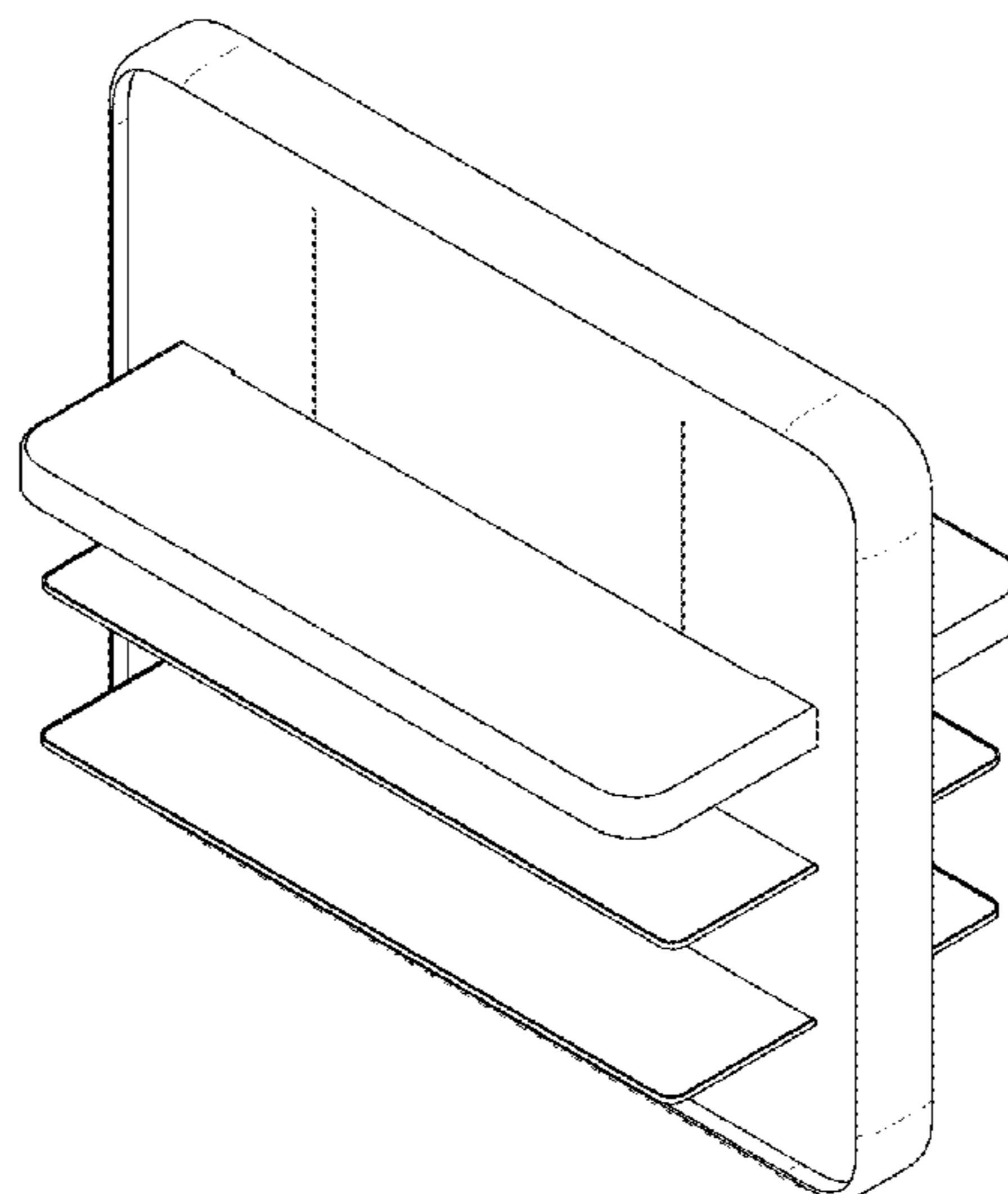
DESCRIPTION

FIG. 1 is a top front perspective view of a retail fixture showing the claimed design;
FIG. 2 is a front view thereof;
FIG. 3 is a rear view thereof;
FIG. 4 is a left side view thereof;
FIG. 5 is a right side view thereof
FIG. 6 is a top view thereof; and,
FIG. 7 is a bottom view thereof.

(56) **References Cited**
U.S. PATENT DOCUMENTS

D250,868 S * 1/1979 Ornattek D6/671.3
D274,203 S * 6/1984 Everett D6/675.4

1 Claim, 4 Drawing Sheets



(56)

References Cited

U.S. PATENT DOCUMENTS

D887,185 S * 6/2020 Brugger D6/675
D893,923 S * 8/2020 Brugger D6/675
2018/0092470 A1* 4/2018 Johnson A47F 5/0043
2018/0184804 A1* 7/2018 Green A47B 57/545

* cited by examiner

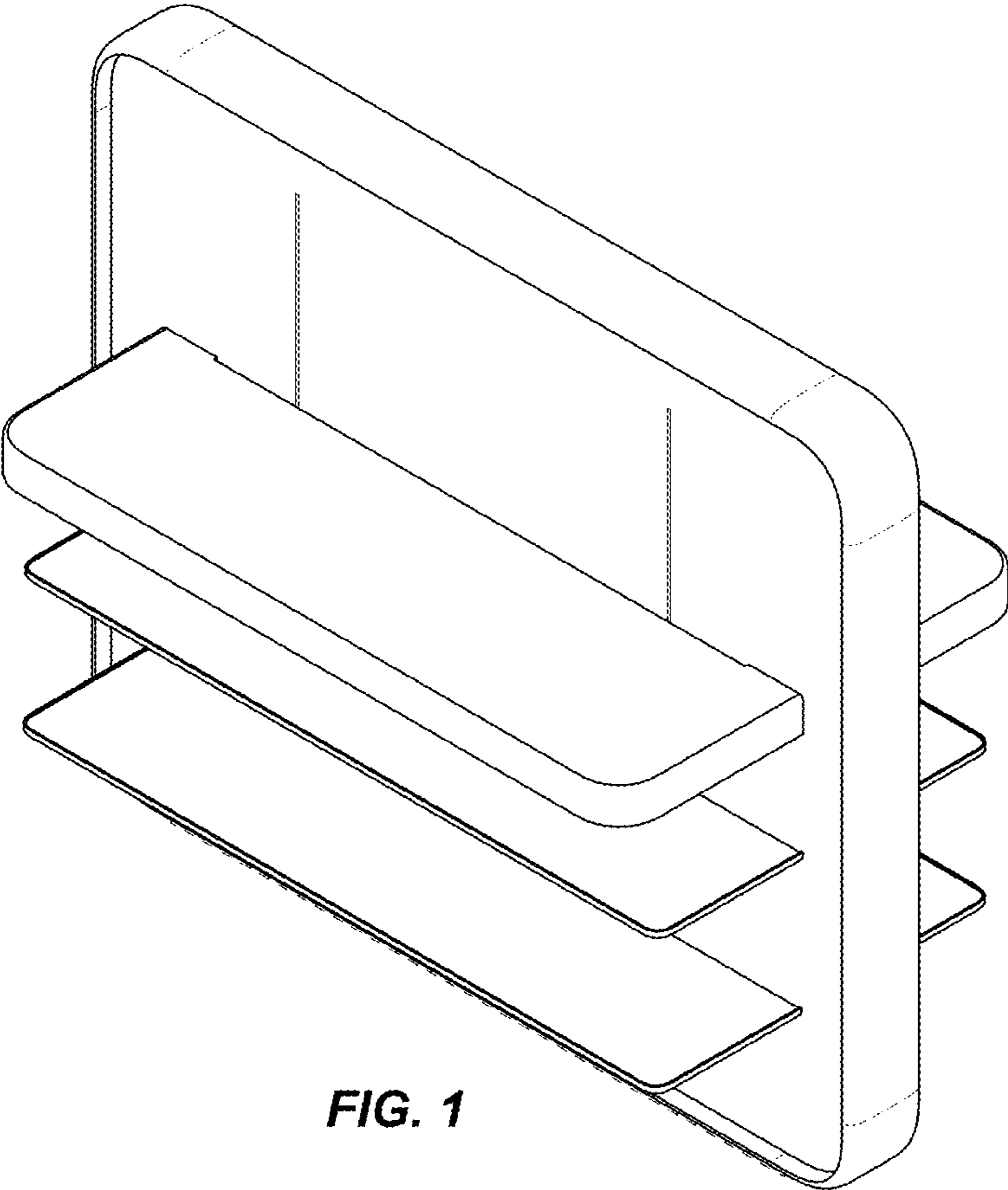


FIG. 1

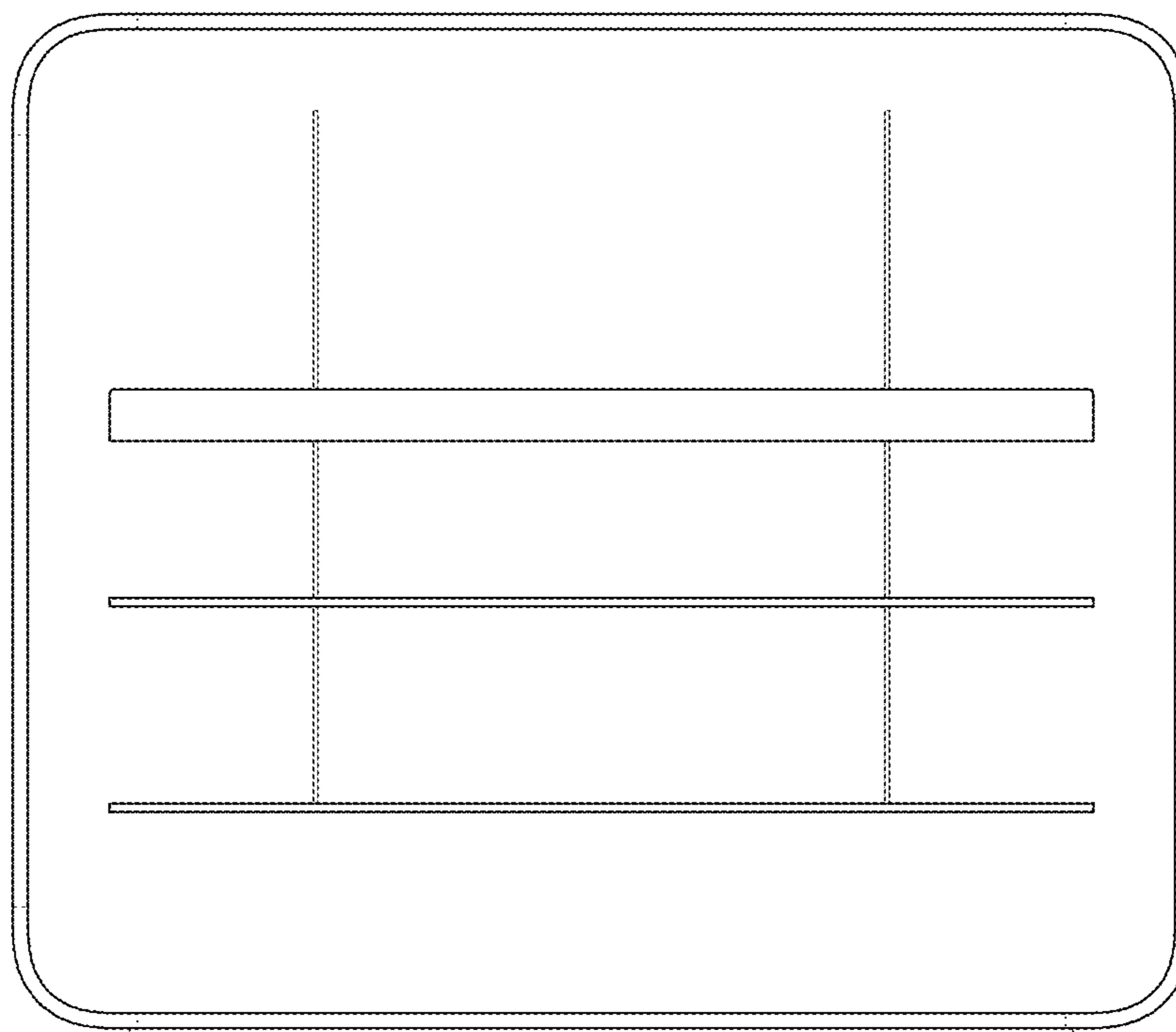


FIG. 2

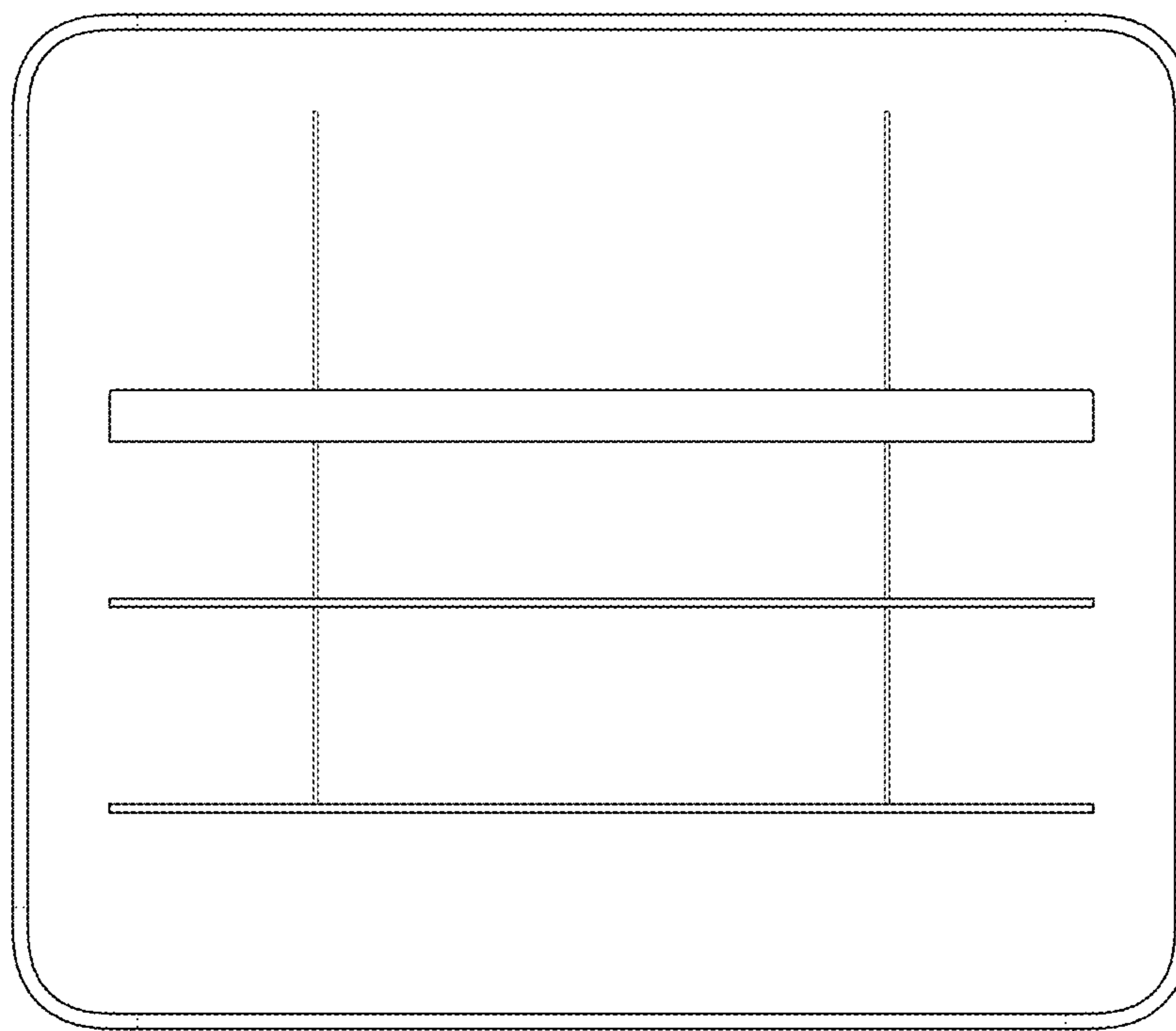


FIG. 3

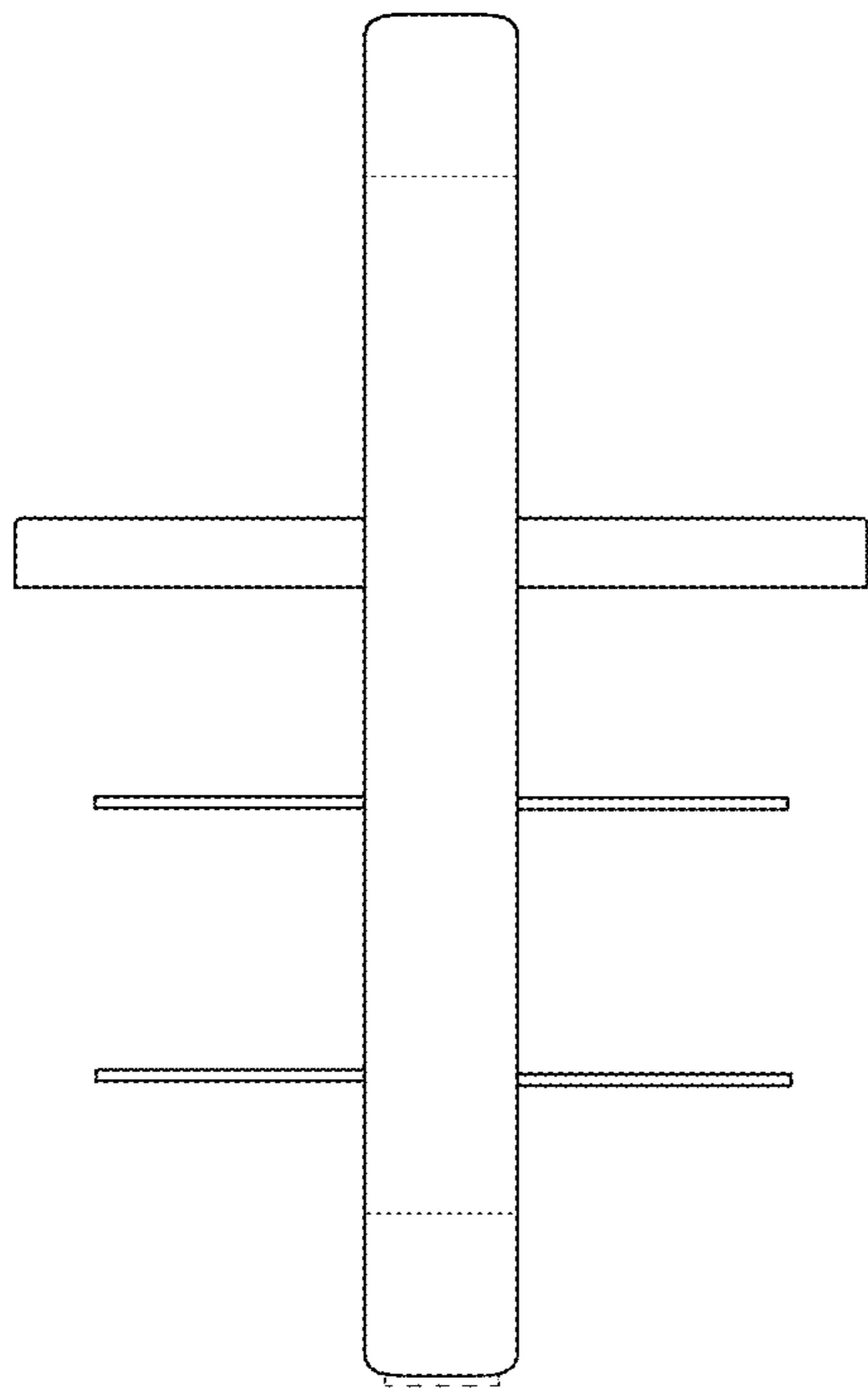


FIG. 4

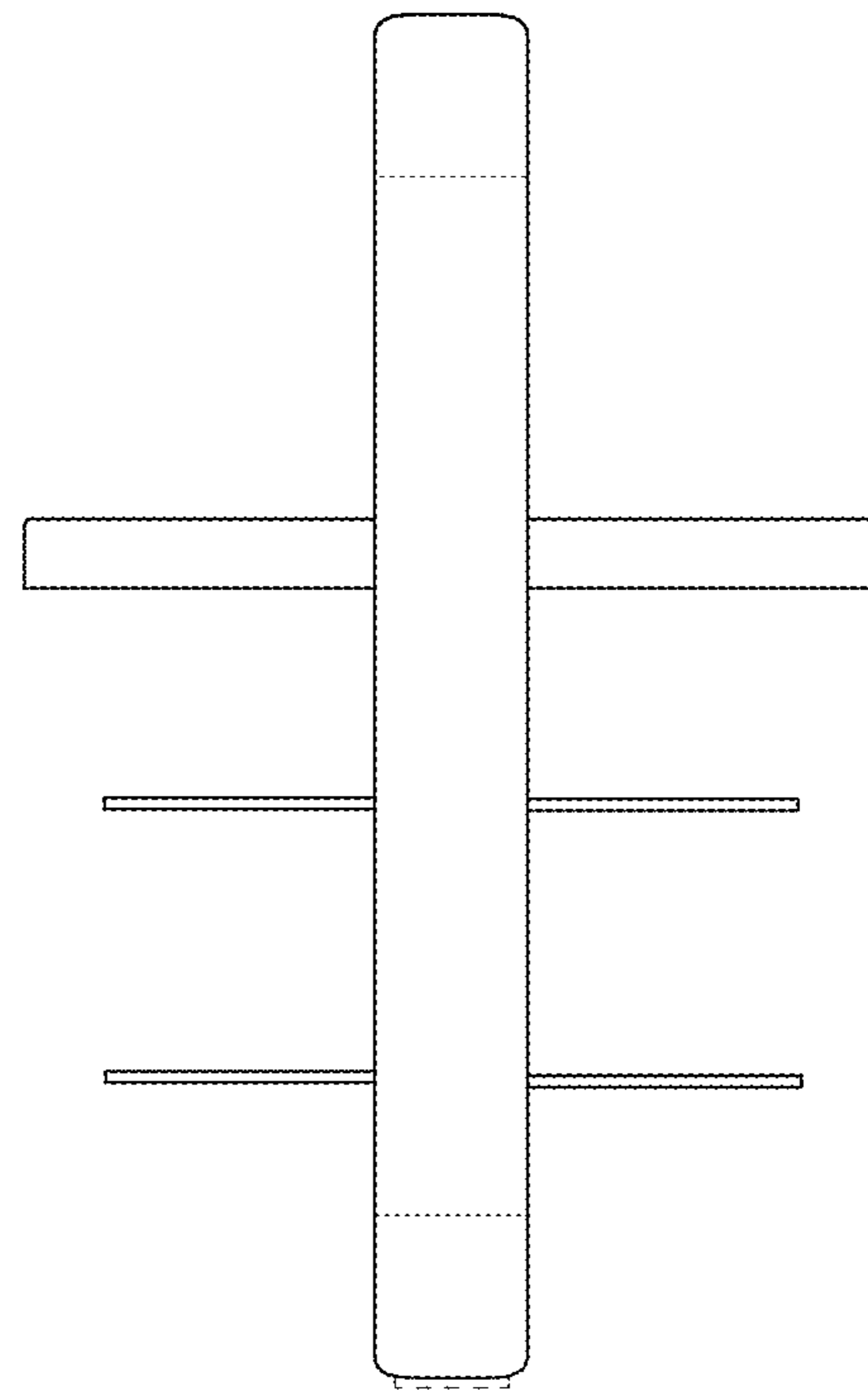


FIG. 5

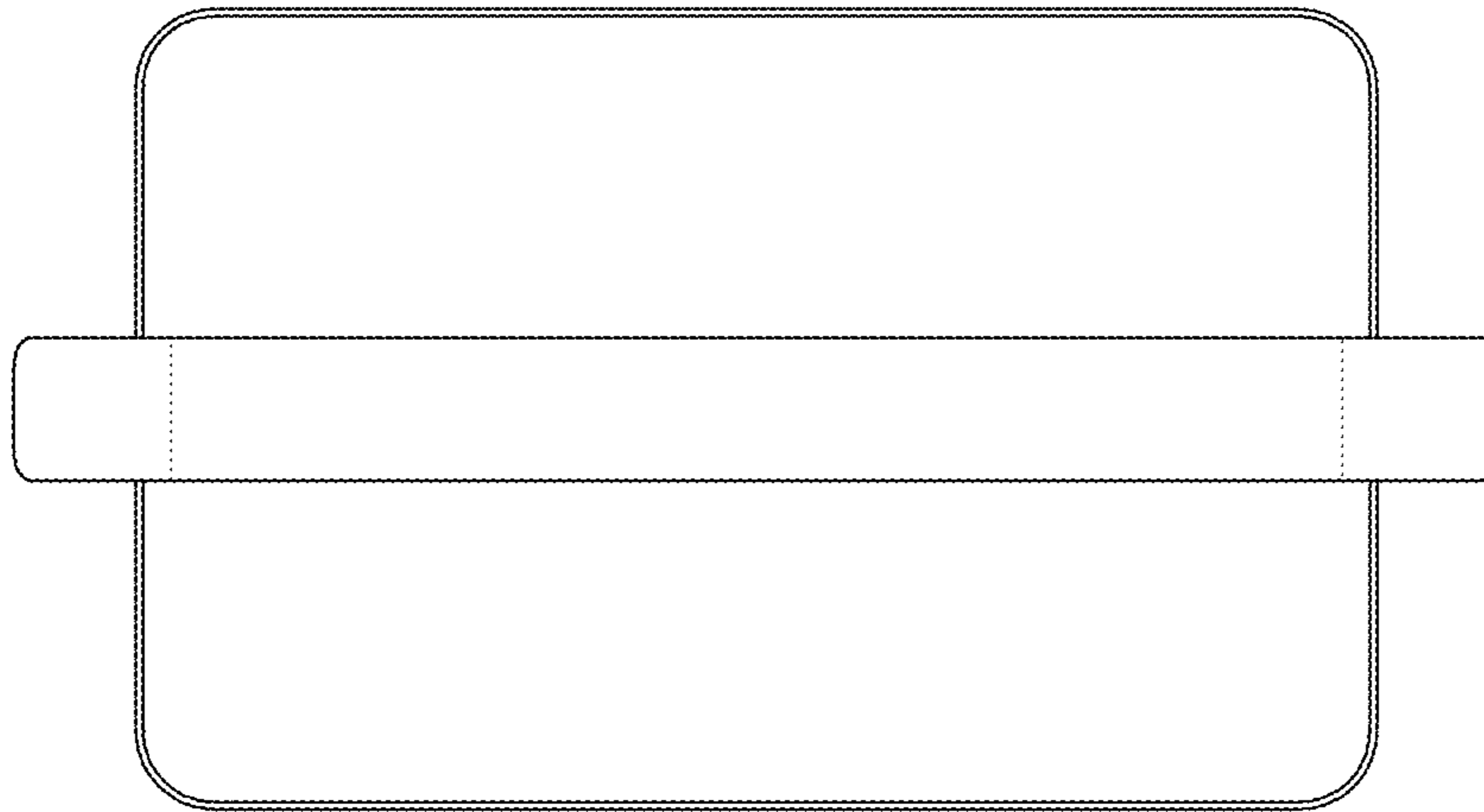


FIG. 6

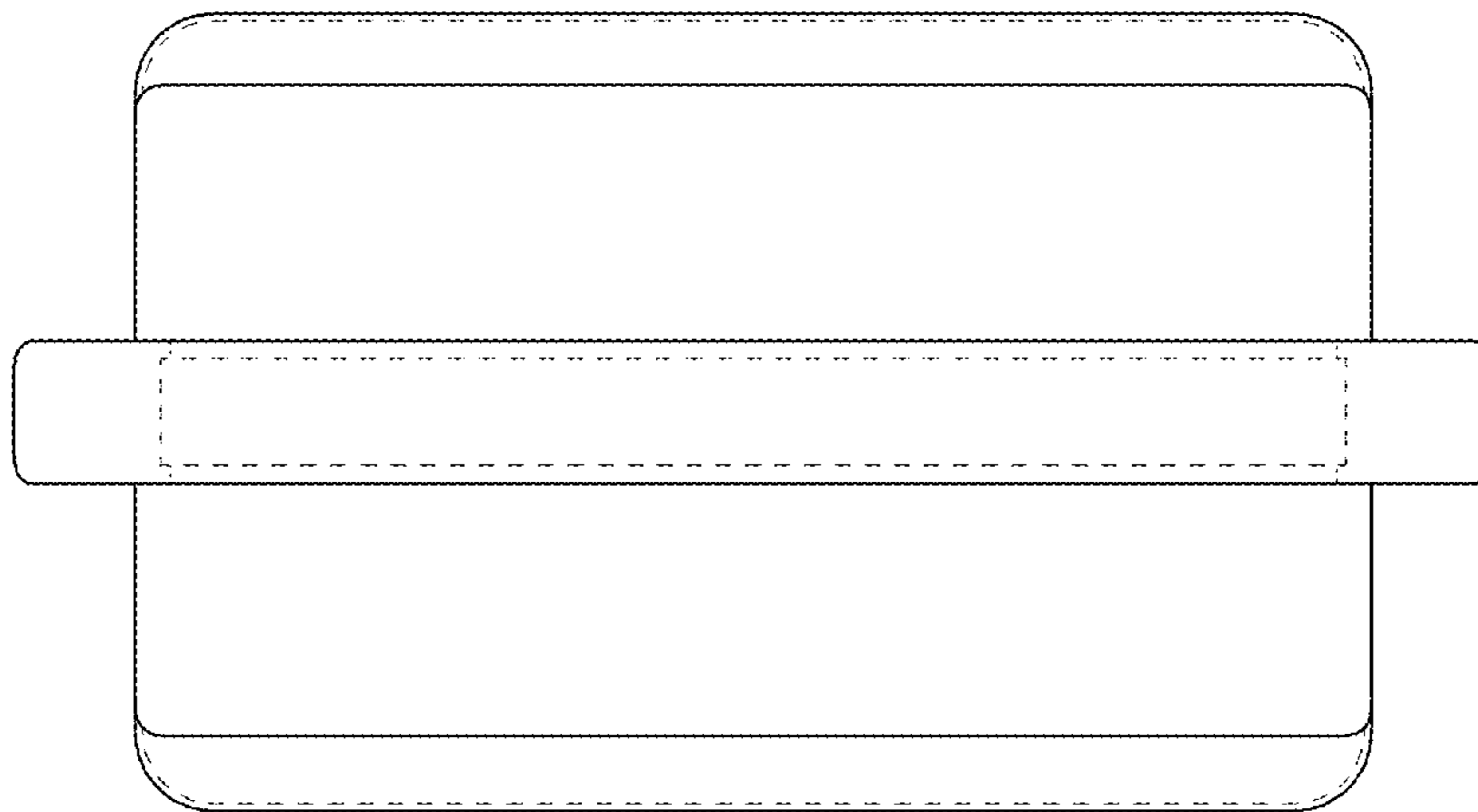


FIG. 7

UNITED STATES PATENT AND TRADEMARK OFFICE
CERTIFICATE OF CORRECTION

PATENT NO. : D907,412 S
APPLICATION NO. : 29/713506
DATED : January 12, 2021
INVENTOR(S) : Inouye et al.

Page 1 of 1

It is certified that error appears in the above-identified patent and that said Letters Patent is hereby corrected as shown below:

On the Title Page

In the Description section, add the following paragraph after "FIG. 7 is a bottom view thereof":
"The broken lines in the figures show portions of the retail fixture that form no part of the claimed design."

Signed and Sealed this
Second Day of March, 2021



Drew Hirshfeld
*Performing the Functions and Duties of the
Under Secretary of Commerce for Intellectual Property and
Director of the United States Patent and Trademark Office*