



US00D907411S

(12) **United States Design Patent**
Mandon

(10) **Patent No.:** **US D907,411 S**
(45) **Date of Patent:** **** Jan. 12, 2021**

- (54) **CABINET**
- (71) Applicant: **Apple Inc.**, Cupertino, CA (US)
- (72) Inventor: **Kully Kraig Mandon**, San Francisco, CA (US)
- (73) Assignee: **Apple Inc.**, Cupertino, CA (US)
- (**) Term: **15 Years**
- (21) Appl. No.: **29/743,200**
- (22) Filed: **Jul. 20, 2020**

- D427,814 S 7/2000 Black
- D427,815 S 7/2000 Lewis
- D465,936 S 11/2002 Arnold
- D466,337 S 12/2002 Feng
- D530,548 S 10/2006 McCurry
- D539,569 S 4/2007 Lewis
- D553,879 S * 10/2007 Juneau D6/671
- D554,393 S * 11/2007 Yalif D6/661
- D582,169 S 12/2008 Skalka
- D583,577 S 12/2008 Wicha
- D591,090 S 4/2009 Judkins
- D599,570 S 9/2009 Skalka
- D609,497 S * 2/2010 Kanthasamy D6/671.1
- D611,735 S 3/2010 Stukenberg
- D611,736 S 3/2010 Navone

(Continued)

Related U.S. Application Data

- (63) Continuation of application No. 29/658,128, filed on Jul. 27, 2018, now Pat. No. Des. 890,550.
- (51) **LOC (13) Cl.** **06-04**
- (52) **U.S. Cl.**
USPC **D6/671**
- (58) **Field of Classification Search**
USPC D6/657, 661, 662, 663, 664.1, 667, 668,
D6/669, 671, 671.2, 672, 673, 710
CPC A47B 55/00; A47B 57/00; A47B 61/00;
A47B 67/00; A47B 67/005; A47B 67/02;
A47B 67/04
See application file for complete search history.

References Cited

- (56) **References Cited**
- U.S. PATENT DOCUMENTS**
- D248,345 S 7/1978 Stoddard
- D284,719 S 7/1986 Keller
- D300,966 S 5/1989 Colby
- D303,190 S 9/1989 Suttles
- D326,968 S 6/1992 White
- D346,712 S * 5/1994 Brunner D6/671.1
- D363,838 S 11/1995 Paus
- D401,443 S * 11/1998 Zaidman D6/671.1
- D406,964 S 3/1999 Lewis
- D427,806 S * 7/2000 Lacroix D6/671.1

FOREIGN PATENT DOCUMENTS

- JP 2005323709 A * 11/2005 A47B 87/0215
- Primary Examiner* — R. Johnson
- (74) *Attorney, Agent, or Firm* — Sterne, Kessler, Goldstein & Fox P.L.L.C.

(57) **CLAIM**

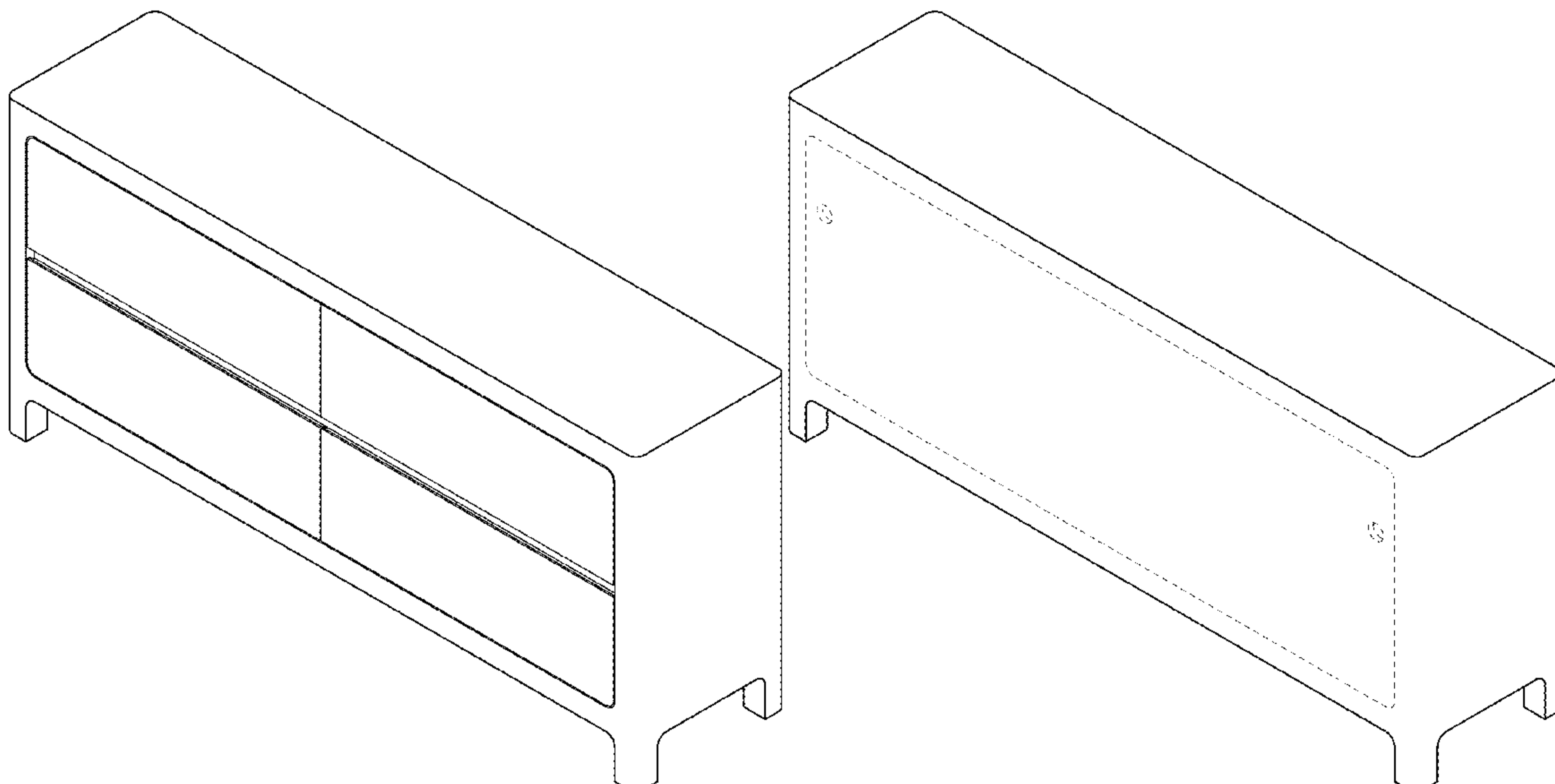
The ornamental design for a cabinet, as shown and described.

DESCRIPTION

FIG. 1 is a top front perspective view of a cabinet showing the claimed design;
 FIG. 2 is a top rear perspective view thereof;
 FIG. 3 is a front view thereof;
 FIG. 4 is a rear view thereof;
 FIG. 5 is a left side view thereof;
 FIG. 6 is a right side view thereof;
 FIG. 7 is a top view thereof; and,
 FIG. 8 is a bottom view thereof.

The broken lines in the figures show portions of the cabinet that form no part of the claimed design.

1 Claim, 6 Drawing Sheets



(56)

References Cited

U.S. PATENT DOCUMENTS

D651,651 S	1/2012	Beukema et al.	D729,560 S	5/2015	Hamm et al.
D657,978 S	4/2012	Hamm et al.	D730,071 S	5/2015	Sorel
D659,415 S	5/2012	Soto et al.	D734,631 S	7/2015	Velez
D678,696 S	3/2013	Hamm et al.	D741,616 S	10/2015	Sneve et al.
D679,521 S	4/2013	Hamm et al.	D753,419 S	4/2016	Heirakuji et al.
D686,438 S	7/2013	Denby et al.	D758,106 S	6/2016	Hamm et al.
D688,494 S	8/2013	Hamm et al.	D763,016 S	8/2016	Clark et al.
D693,156 S	11/2013	Hamm et al.	D766,630 S	9/2016	Akana et al.
D693,610 S	11/2013	Denby et al.	D766,631 S	9/2016	Akana et al.
D694,557 S	12/2013	Rodgers	D776,471 S	1/2017	Mandon et al.
D694,558 S	12/2013	Denby et al.	D783,324 S	4/2017	Akana et al.
D705,556 S	5/2014	Udagawa	D788,506 S	6/2017	Choi
D713,190 S	9/2014	Behar	D795,613 S	8/2017	Hamm et al.
D713,658 S	9/2014	Smeds et al.	D796,234 S	9/2017	Thaler et al.
D717,554 S	11/2014	Kapka	D810,476 S	2/2018	Heirakuji et al.
D727,644 S	4/2015	Sorel	D815,468 S	4/2018	Hannoosh et al.
D728,281 S	5/2015	Heirakuji et al.	D821,116 S	6/2018	Hamm et al.
			D862,135 S	10/2019	Birch
			D890,550 S *	7/2020	Mandon D6/671

* cited by examiner

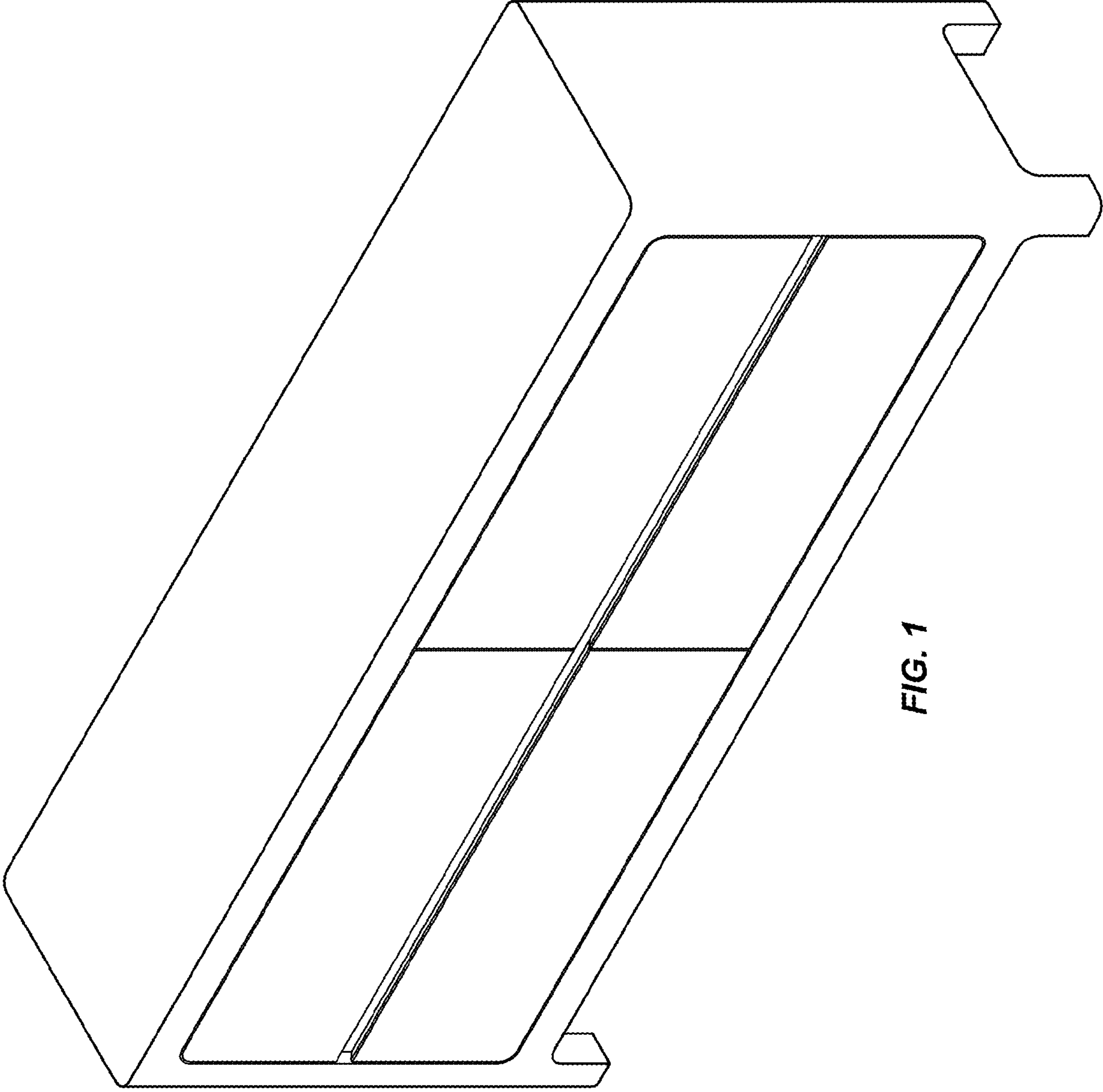


FIG. 1

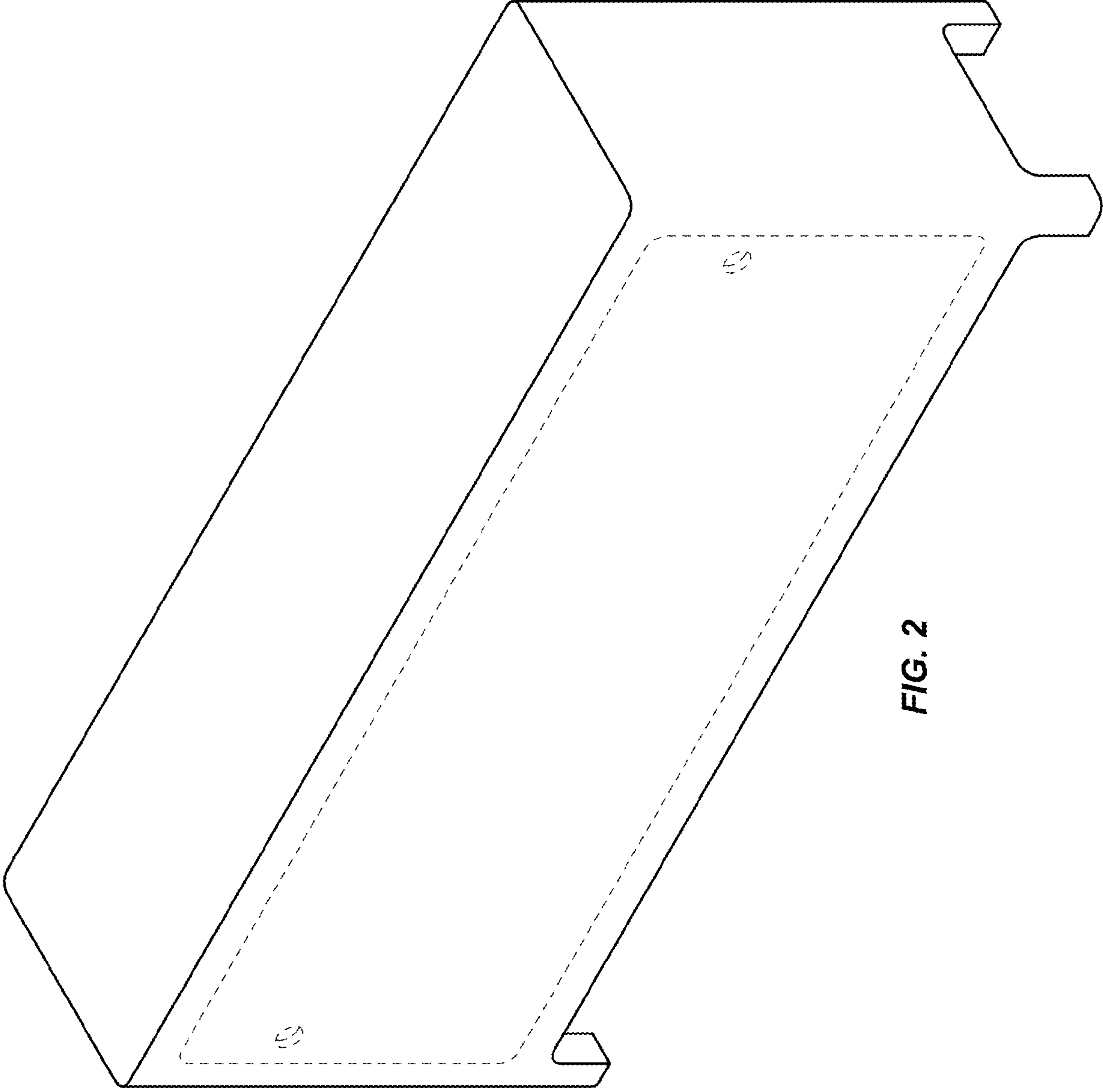


FIG. 2

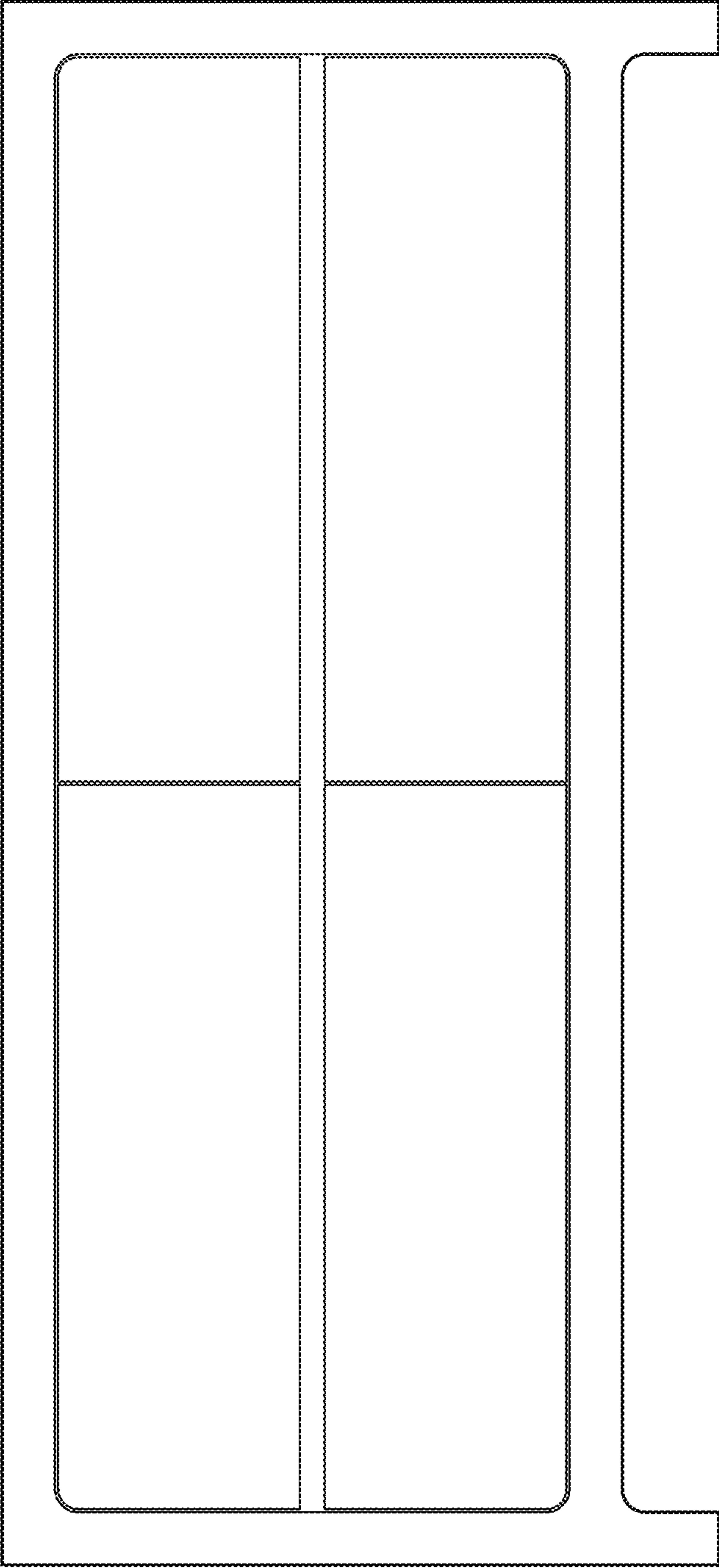


FIG. 3

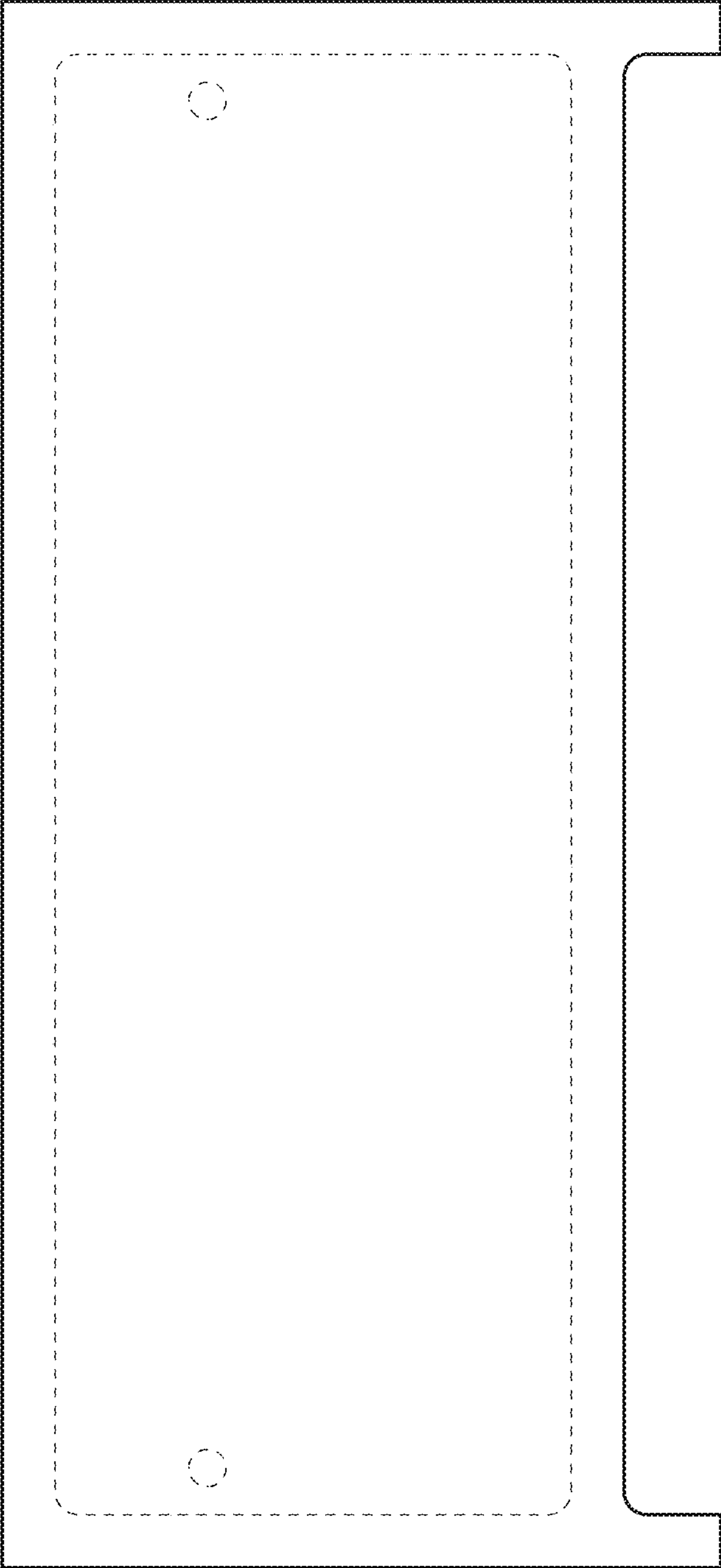


FIG. 4

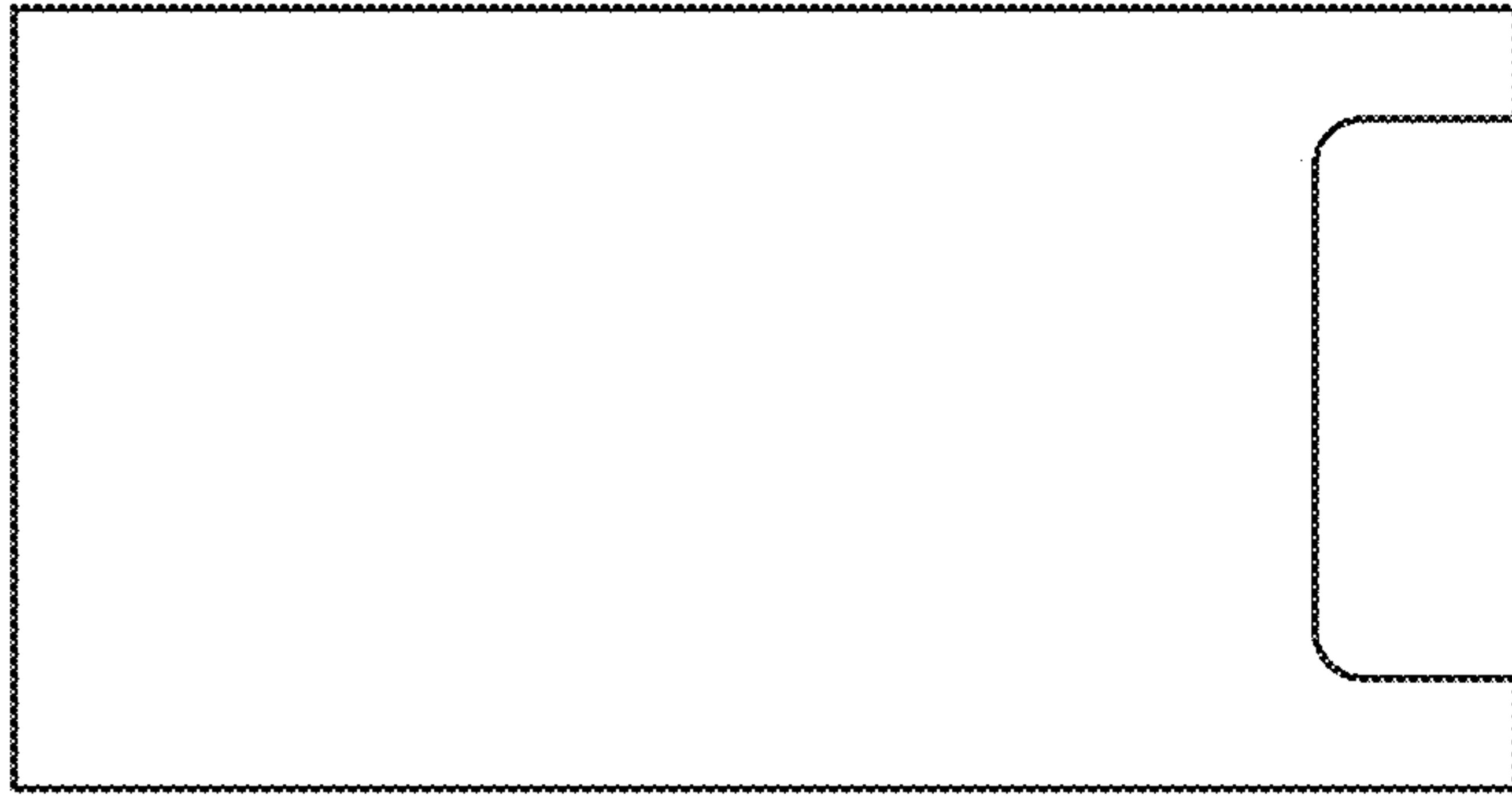


FIG. 6

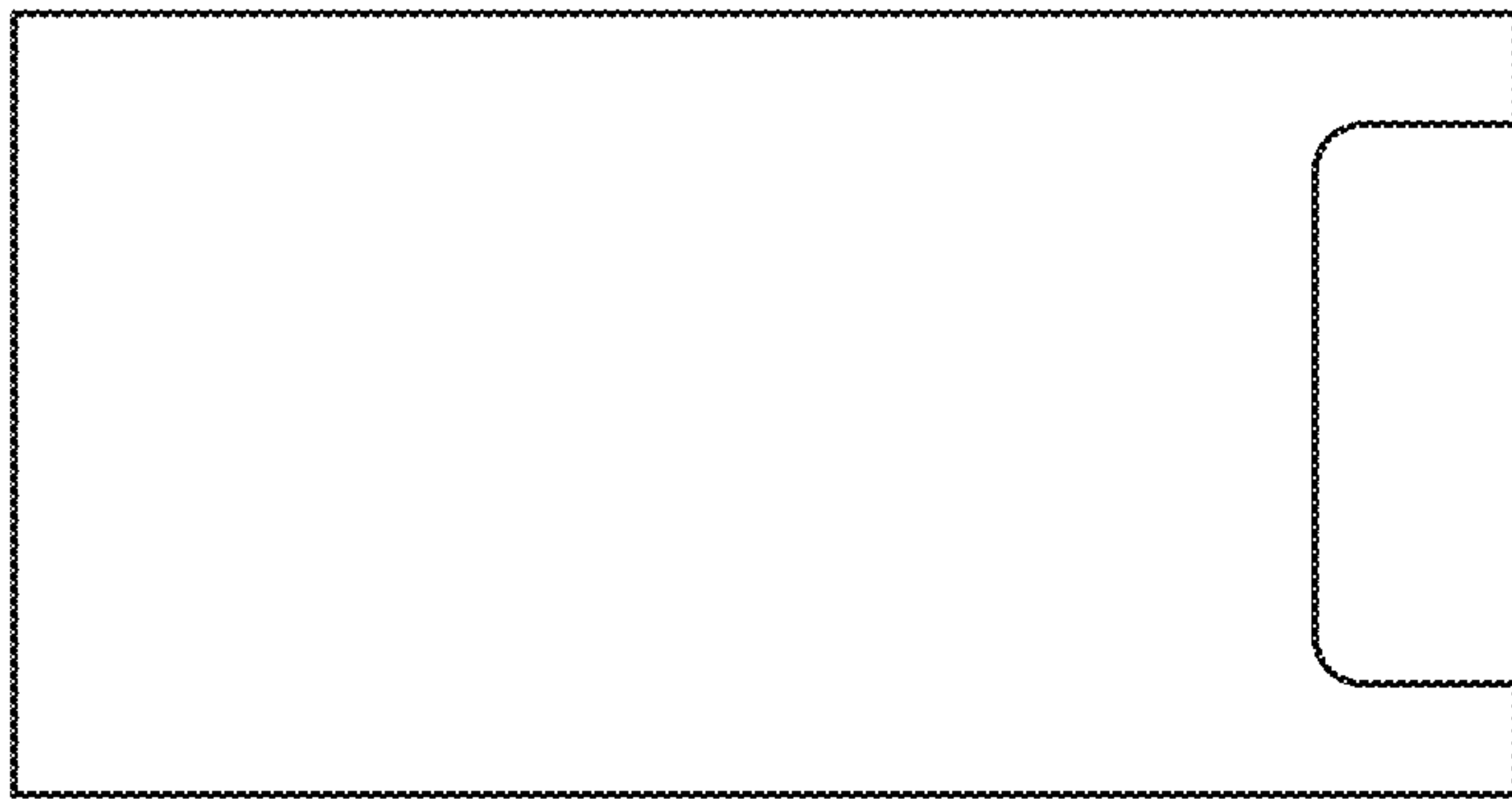


FIG. 5

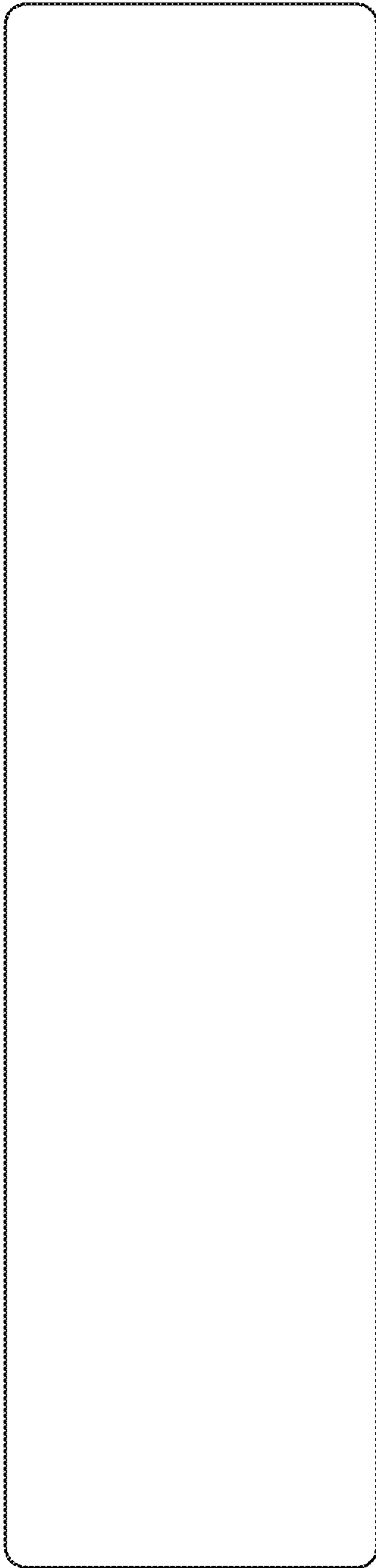


FIG. 7

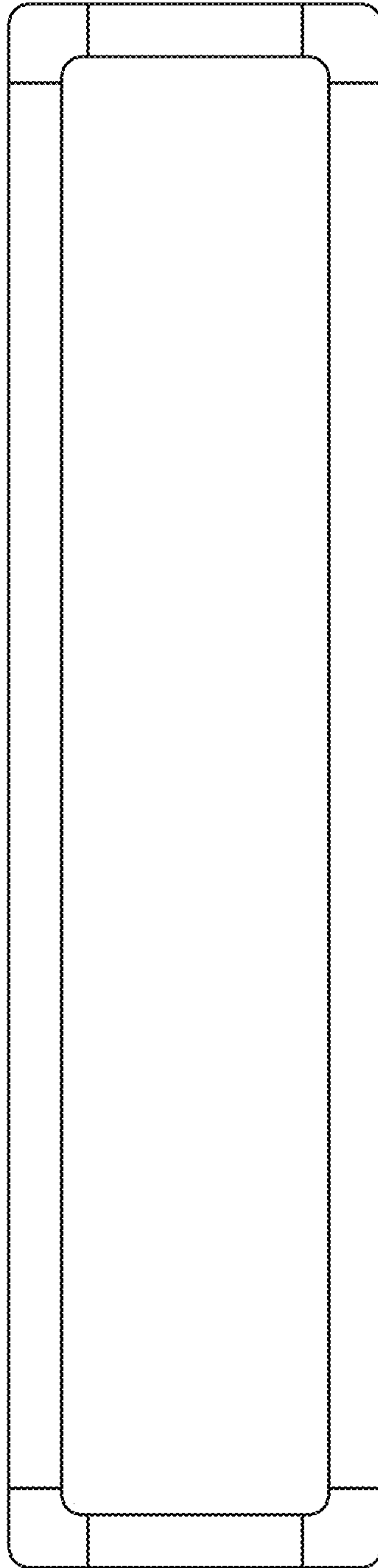


FIG. 8